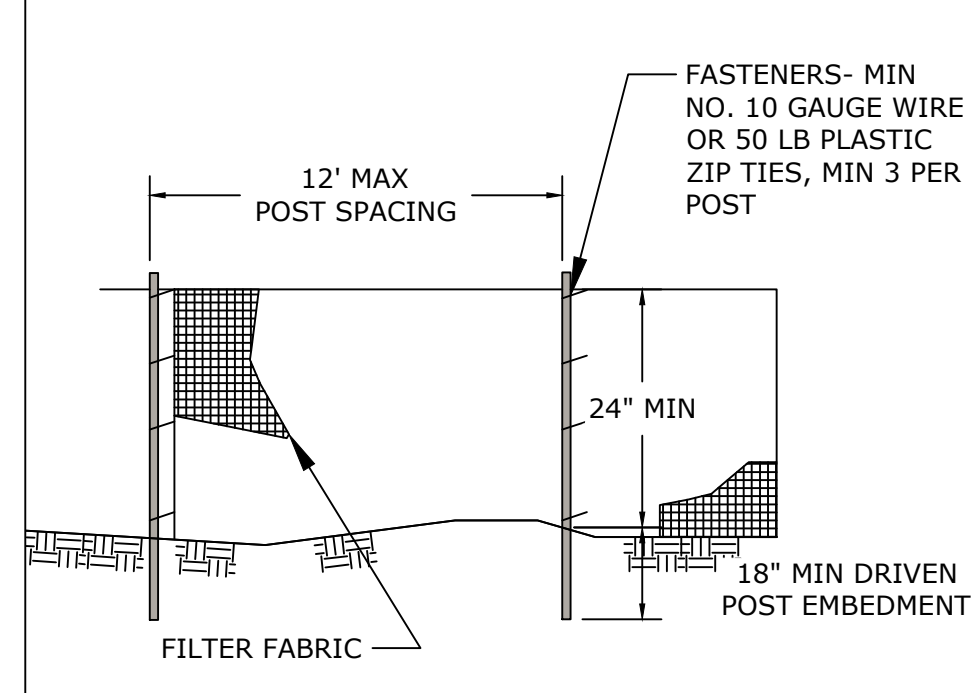
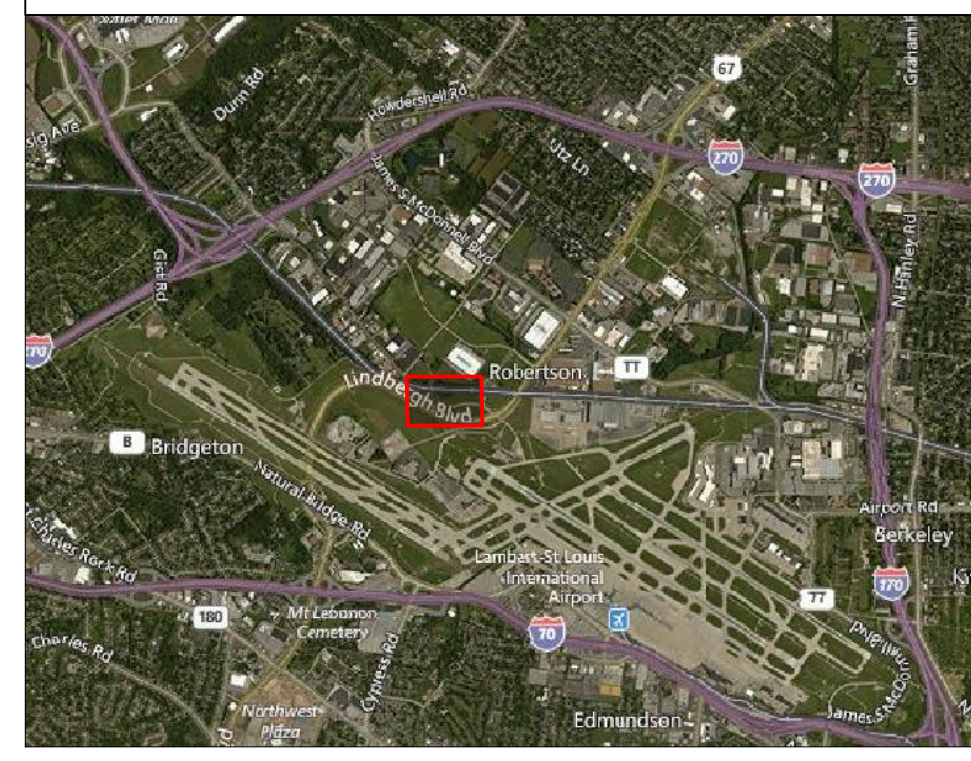
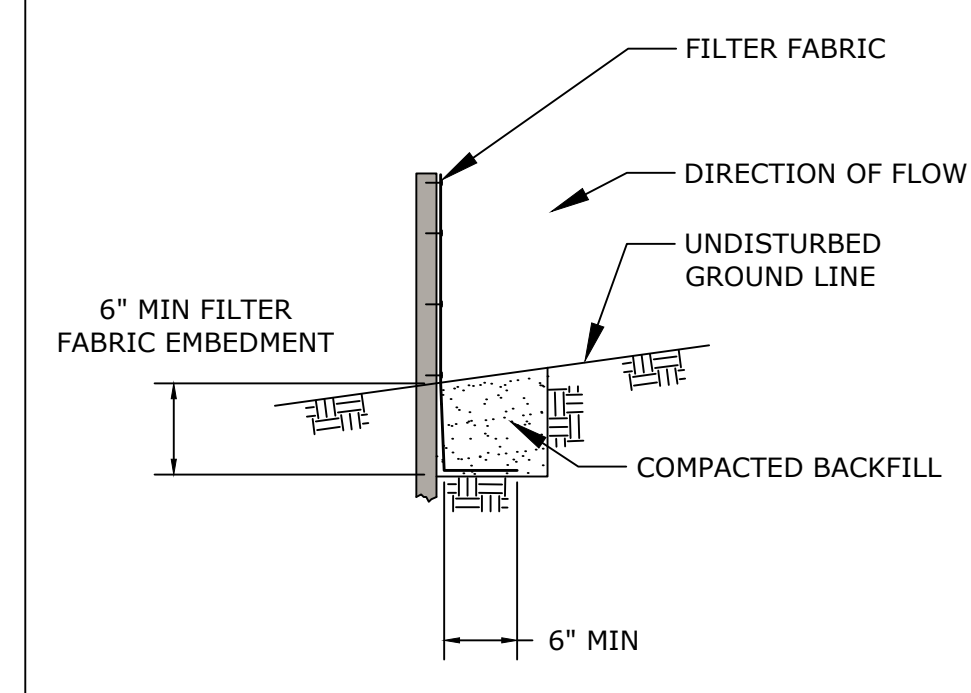


OWNER NAME	AMEREN MISSOURI
OWNER ADDRESS	1901 CHOUTEAU AVENUE, ST. LOUIS, MO 63166
SITE ADDRESS	11601 MISSOURI BOTTOM ROAD, ST. LOUIS, MO 63044

SITE LOCATION



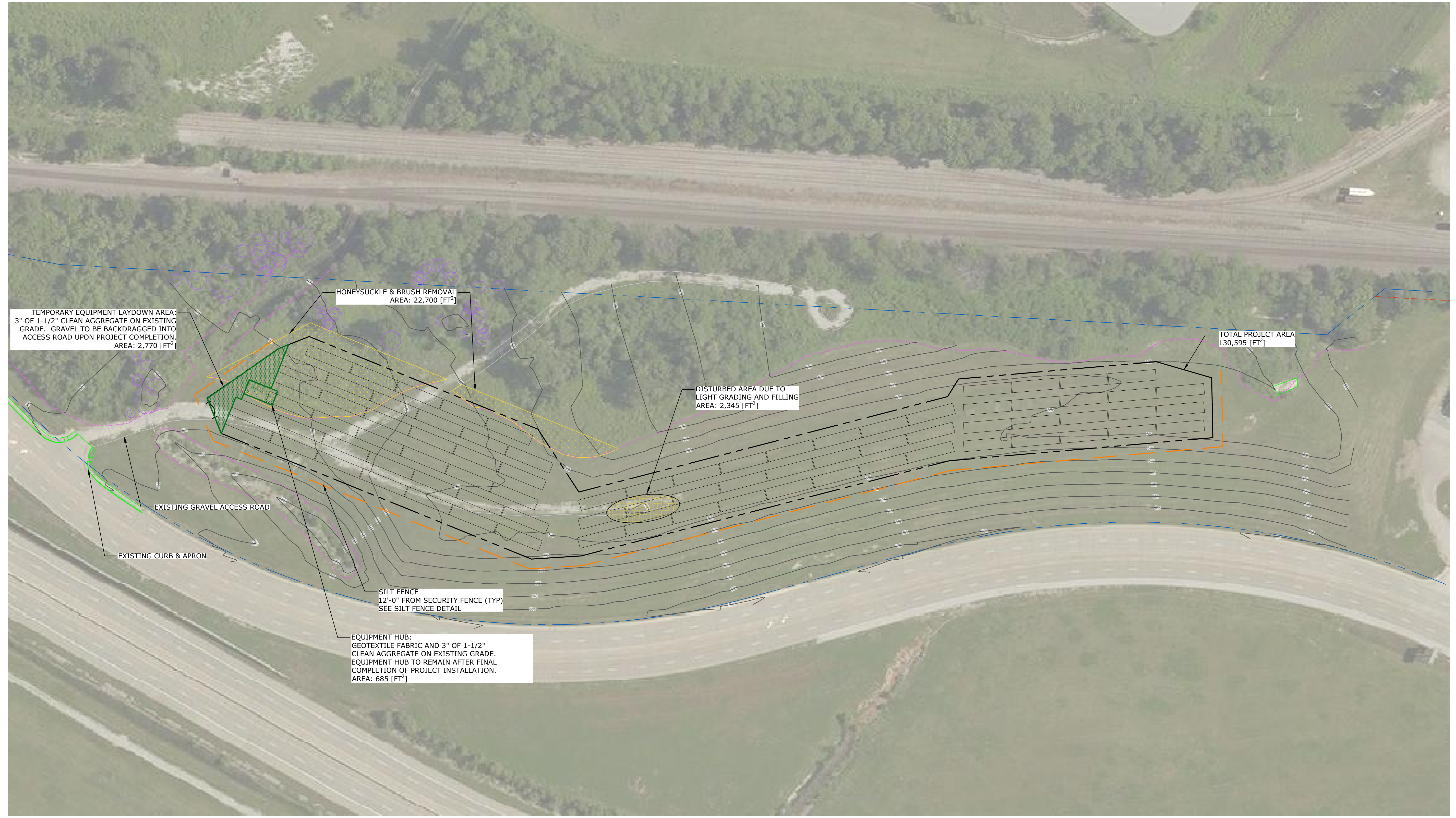
2 DWG SILT FENCE DETAIL



3 DWG FABRIC ANCHOR DETAIL

SHEET NOTES
 1. CONTRACTOR SHALL SEED AND STRAW ANY DISTURBED AREAS.

SHEET LEGEND	
	NEW FENCE
	PROPERTY LINE
	MAJOR TOPO LINE
	SILT FENCE



4 DWG EXISTING SITE CONDITIONS 1



5 DWG EXISTING SITE CONDITIONS 2



6 DWG EXISTING SITE CONDITIONS 3



7 DWG SAMPLE CONSTRUCTION CONDITIONS 1



8 DWG SAMPLE CONSTRUCTION CONDITIONS 2

OPERATING DIAGRAM			---
<small>NOTICE OF LIMITED RESPONSIBILITY</small> THE RESPONSIBILITY OF THE UNDERSIGNED ENGINEER IS LIMITED TO THE DESIGN WORK SHOWN ON PROJECT AND DOCUMENTS BEARING HIS/HER SEAL, SIGNATURE OR INITIALS. HE/SHE DOES NOT HAVE AUTHORITY OVER THE PROJECT AS A WHOLE. THE UNDERSIGNED DISCLAIMS ANY RESPONSIBILITY FOR WORK DONE UNDER SUBSEQUENT REVISIONS AND ANY OTHER DOCUMENTS ASSOCIATED WITH THE PROJECT WHICH DO NOT BEAR HIS/HER SEAL, SIGNATURE OR INITIALS.			MARK UP DRAWING NO.
SCALE: 1" = 60'-0" UNIT NO. --- DWG. SIZE: Y ARCH D (36X24) SUB CLASS ---			---
SITE: AMEREN MISSOURI LAMBERT COMMUNITY SOLAR CENTER			DRAWING NO.
			REVISION NO. 0

DRAWING RECORD						
REV.	DATE	PROJECT NO.	DRFTR	CHK'D	SUPV	ENGR
A	02/08/19	---	CJB	DIR	DAS	---