

UNITED TELEPHONE COMPANY  
OF MISSOURI

Original Page 275

ACCESS SERVICE

RECEIVED

6. Switched Access Service (Cont'd)

SEP 17 1992

6.8 Rates and Charges (Cont'd)

MO. PUBLIC SERVICE COM. 12

6.8.3 End Office (Cont'd)

(A) Local Switching (Cont'd)

(2) Transport Termination Nonchargeable Options

(a) Line Side Terminations  
(For FGA)

Two Way Operation

- Dial Pulse with Loop Start NC +++A
- Dial Pulse with Ground Start NC +++E
- DTMF with Loop Start NC +++F
- DTMF with Ground Start NC +++G

Terminating Operation

- Dial Pulse with Loop Start NC +++N
- Dial Pulse with Ground Start NC +++P
- DTMF with Loop Start NC +++R
- DTMF with Ground Start NC +++S

Originating Operation

- Loop Start NC +++U
- Ground Start NC +++V

CI\NCE.IltDNc

(b) Trunk Side Terminations  
(For FGB, FGC, and FGD)

Standard Trunk

- for originating, S'(\_L.!::;-::;:-commiSSIOO
- Terminating or Two-public sem so\IRI
- Way Operation TTC SO
- (available with FGB, TTC ST
- FGC and FGD) TTC TY

Rotary Dial Station  
Signaling Trunk  
(available with FGB)

TTC RD

JUL 15 99: rG r  
-.- Jr/(-.-  
S'(\_L.!::;-::;:-commiSSIOO  
sem so\IRI

RECEIVED

1:0V 7 1992

L'J,::: 0000 -H-H

EFFECTIVE:

811J;!!el Lf 4 UR

NOV 7 1992

ISSUED:  
September 17, 1992

BY: John L. Roe  
Vice President - Administration  
5454 West 110th Street  
Overland Park, Kansas 66211

UNITED TELEPHONE COMPANY  
OF MISSOURI

Original Page 276

ACCESS SERVICE

RECEIVED

SEP 17 1992

6. Switched Access Service (Cont'd)

MO. PUBLIC SERVICE COM. 12.

6.8 Rates and Charges (Cont'd)

6.8.3 End Office (Cont'd)

(A) Local Switching (Cont'd)

(2) Transport Termination Nonchargeable Options (Cont'd)

(b) (Cont'd)

Operator Trunk, Coin,  
Non-Coin or Combined  
Coin and Non-Coin  
(available with FGC)

TTC CO

Operator Trunk, Full  
Feature Arrangement  
(available with FGD)

TTC FF

(B) Line Terminations

Premium Rate  
Per Access  
Minute

CA-NCELLED

(1) Common Line and  
WATS Access Line  
Terminations

\$.0155

JUL 15 1995  
BY *lot R.S.# 269*  
Public Service Commission  
MISSOURI

LOV 7 1992

LOV 7 1992

MO. PUBLIC SERVICE COM. 12.

ISSUED:  
September 17, 1992

BY: John L. Roe  
Vice President - Administration  
5454 West 110th Street  
Overland Park, Kansas 66211

EFFECTIVE:  
aetok&<aM;Nt.MC  
•OV 1 1992

UNITED TELEPHONE COMPANY  
OF MISSOURI

Original Page 277

ACCESS SERVICE

6. Switched Access Service (Cont'd)

6.B Rates and Charges (Cont'd)

6.8.3 End Office (Cont'd)

(B) Line Terminations (Cont'd)

(2) WATS Access Line  
Optional Terminations

(a) Line Side Terminations

Originating Only  
Loop Start, Line Side  
Connection, with DTMF  
Address Signaling  
-per WATS Access Line

Originating Only  
Loop Start, Line Side  
Connection, with Dial  
Pulse Address Signaling  
- Per WATS Access Line

Originating Only  
Ground Start, Line Side  
Connection, with DTMF  
Address Signaling  
-Per WATS Access Line

RECEIVED

SEP 17 1992

MO. PUBLIC SERVICE COMM.

CP..MCELLED

FID

JUL 15 1995  
BY Lat R. S. #269  
Public Service Commissio-  
MISSOURI

NC +++R

NC +++N

NC +++S

j" . . . . .  
" , , t . . . . .

1:0V 7 1292

.....

ISSUED:  
September 17, 1992

BY: John L. Roe  
Vice President - Administration  
5454 West 110th Street  
Overland Park, Kansas 66211

EFFECTIVE:  
"66ISJ22 I'i=" ±Hi  
IOV 7 1992

ACCESS SERVICE

6. Switched Access Service (Cont'd)

6.8 Rates and Charges (Cont'd)

6.8.3 End Office (Cont'd)

(B) Line Terminations (Cont'd)

(2) WATS Access Line  
Optional Terminations

(a) Line Side Terminations

Originating Only  
Ground Start, Line Side  
Connection, with Dial  
Pulse Address Signaling  
- Per WATS Access Line

NC +++P

Terminating Only  
Loop Start, Line Side  
Connection  
- Per WATS Access Line

NC +++U

Terminating Only  
Ground Start, Line Side  
Connection  
- Per WATS Access Line

NC +++V

(b) Trunk Side Terminations:

Terminating Only  
Trunk Side Connection  
for Forwarding of Dialed  
Number Identification  
to End User  
- Per WATS Access Line

NC +++T

RECEIVED

SEP 1 '1992

MO. PUBLIC SERVICE COM. MA.

CANCELLED

JUL 15 1995

BY 1st R.S. # 269  
Public Service Commission  
MISSOURI

FILED

NOV 7 1992

MO. PUBLIC SERVICE COM. MA.

ISSUED:  
September 17, 1992

BY: John L. Roe  
Vice President - Administration  
5454 West 110th Street  
Overland Park, Kansas 66211

EFFECTIVE:  
Jlt "ill"y"4i5 t  
NOV 7 1992

ACCESS SERVICE

6. Switched Access Service (Cont'd)

6.8 Rates and Charges (Cont'd)

6.8.3 End Office (Cont'd)

(C) Intercept

Premium  
Rate

Intercept Charge  
(Per 100,000 Access  
Minutes)

\$10.61

MO.PUBLIC SERVICE COM 1.

R\ E ijED  
MR 311993

CANCELLED

6.8.4 800 Access Service

(A) 800 Access Service Data Base Query  
-per query

USOC

Rate

BDBQC

\$0.012885

(B) 800 Data Base Optional Service Features\*  
-per query

BDBOF

\$0.001344

6.8.5 Reserved for Future Use

6.8.6 Information Surcharge

Premium  
Rate Per  
Access Minute

\$.0004

JUL 151995  
BY *lq/C-rc.*  
Public Service Commlsston  
MISSOURI

(T)  
(N)

(N)

FILED

JUL 0 11993

MO. PUBLIC SERVICE COMIV/.

\* When a combination of one or more 800 Data Base Optional Service Features is used, only one charge will apply.

ISSUED:  
March 31, 1993

BY: John L. Roe  
Vice President - Administration  
5454 West 110th Street  
Overland Park, Kansas 66211

EFFECTIVE:  
May 1, 1993

UNITED TELEPHONE COMPANY  
OF MISSOURI

Original Page 279

ACCESS SERVICE

6. Switched Access Service (Cont'd)

6.8 Rates and Charges (Cont'd)

6.8.3 End Office (Cont'd)

(C) Intercept

Premium  
Rate

Intercept Charge  
(Per 100,000 Access  
Minutes)

\$10.61

6.8.4 Reserved for Future Use

6.8.5 Reserved for Future Use

6.8.6 Information Surcharge

Premium  
Rate Per  
Access Minute

\$.0004

RECEIVED

SEP 1 1992

MO. PUBLIC SERVICE COMM.

**CANCELLED**

MAY 1 1993  
BY Let R.S. # 277  
Public Service Commission  
MISSOURI

RECEIVED

NOV 7 1992

MO. PUBLIC SERVICE COMM.

ISSUED:  
September 17, 1992

BY: John L. Roe  
Vice President - Administration  
5454 West 110th Street  
Overland Park, Kansas 66211

EFFECTIVE:  
881U6Cf £1, ±hi  
NOV 7 1992

SPRINT MISSOURI, INC.  
d/b/a SPRINT

Second Revised Page 280  
Cancels First Revised Page 280

ACCESS SERVICE

Missouri Public  
Service Commission

7. Special Access Service

REC'0 FE3 09 2000

7.1 General

Special Access Service provides a transmission path to connect customer designated premises\*, either directly or through a Telephone Company Hub where bridging or multiplexing functions are performed. Special Access Service includes all exchange access not utilizing Telephone Company end office switches.

The connections provided by Special Access Service can be either analog or digital. Analog connections are differentiated by spectrum and bandwidth. Digital connections are differentiated by bit rate.

7.1.1 Channel Types

There are *five* types of channels used to provide Special Access Services. Each type has its own characteristics. All are subdivided by one or more of the following: (C)

- Transmission specifications,
- Bandwidth,
- Speed (i.e., bit rate),
- Spectrum

Customers can order a basic channel and select, from a list of available transmission parameters and channel interfaces, those that they desire to meet specific communications requirements.

\* Telephone Company Centrex *CO-like* switches are considered to be customer premises for purposes of this tariff.

Missouri Public  
Service Commission

FILED MAR 10 2000

ISSUED:  
February 9, 2000

Richard D. Lawson  
State Executive, External Affairs

EFFECTIVE:  
March 10, 2000

ACCESS SERVICE

**RECEIVED**

7. Special Access Service

**DEC 07 1995**

7.1 General

Special Access Service provides a transmission ~~pat S t~~ customer designated premises\*, either direct ~~l!Q~~ **Sfruruilll mmission** Telephone Company Hub where bridging or multiplexing functions are performed. Special Access Service includes all exchange access not utilizing Telephone Company end office switches.

The connections provided by Special Access Service can be either analog or digital. Analog connections are differentiated by spectrum and bandwidth. Digital connections are differentiated by bit rate.

7.1.1 Channel Types

There are eight types of channels used to provide Special Access Services. Each type has its own characteristics. All are subdivided by one or more of the following: (C)

- Transmission specifications,**
- Bandwidth,
- Speed (i.e., bit rate),
- Spectrum

Customers can order a basic channel and select, from a list of available transmission parameters and channel interfaces, those that they desire to meet specific communications requirements.

\* Telephone Company Centrex CO-like switches are considered to be customer premises for purposes of this tariff.

**CANCELLED**

**MAR, 10 2000**  
By ~~&!#--~~ p;/N .  
**Public Service Commission**  
**MISSOURI**

**FILED**

**JAN- 81996**

**MISSOURI**  
**Public Service Commission**

ISSUED:  
December 7, 1995

BY: John L. Rae  
**Vice President - Carrier and Regulatory Services**  
5454 West 110th Street  
Overland Park, Kansas 66211

EFFECTIVE:  
January 8, 1996



UNITED TELEPHONE COMPANY  
OF MISSOURI

Original Page 280

RECEIVED

SEP 17 1992

ACCESS SERVICE

MO. PUBLIC SERVICE COMM.

7. Special Access Service

7.1 General

Special Access Service provides a transmission path to connect customer designated premises\*, either directly or through a Telephone Company Hub where bridging or multiplexing functions are performed. Special Access Service includes all exchange access not utilizing Telephone Company end office switches.

The connections provided by Special Access Service can be either analog or digital. Analog connections are differentiated by spectrum and bandwidth. Digital connections are differentiated by bit rate.

7.1.1 Channel Types

There are seven types of channels used to provide Special Access Services. Each type has its own characteristics. All are subdivided by one or more of the following:

- Transmission specifications,
- Bandwidth,
- Speed (i.e., bit rate),
- Spectrum

Customers can order a basic channel and select, from a list of available transmission parameters and channel interfaces, those that they desire to meet specific communications requirements.

\* Telephone Company Centrex CO-like switches are considered to be customer premises for purposes of this tariff.

**CANCELLED**

JAN 8 1996  
BY *John L. Roe* #280  
Public Service Commission  
MISSOURI

FILED

NOV 17 1992

MO. PUBLIC SERVICE COMM.

ISSUED:  
September 17, 1992

BY: John L Roe  
Vice President - Administration  
5454 West 110th Street  
Overland Park, Kansas 66211

EFFECTIVE:  
**zlellebw** :i7; : !tiM  
NOV 7 1992

ACCESS SERVICE

7. Special Access Service (Cont'd)

7.1 General (Cont'd)

7.1.1 Channel Types (Cont'd)

For purposes of ordering channels, each has been identified as a type of Special Access Service. However, such identification is not intended to limit a customer's use of the channel nor to imply that the channel is limited to a particular use.

Following is a brief description of each type of channel:

Voice Grade - A channel for the transmission of analog signals within an approximate bandwidth of 300-3000 Hz.

ISSUED:  
March 30, 2007

Mark D. Harper  
Director - State Regulatory  
5454 W. 110th Street  
Overland Park, Kansas 66211

EFFECTIVE:  
April 30, 2007

CANCELLED  
November 1, 2021  
Missouri Public  
Service Commission  
JI-2022-0069

**Filed**  
Missouri Public  
Service Commission

SPRINT MISSOURI. INC.  
dfb/a SPRINT

Fourth Revised Page 281  
Cancels Third Revised Page 281

ACCESS SERVICE

MissouriPublic

7. Special Access Service (Cont'd)

REC'O JUL 02 2002

7.1 General(Cont'd)

Service Commission

7.1.1 Channel Types (Cont'd)

For purposes of ordering channels, each has been identified as a type of SpecialAccess Service. However, such identification is not intended to limit a customer's use of the channel nor to imply that the channel is limited to a particular use.

Following is a brief description of each type of channel:

Voice Grade - A channel for the transmission of analog signals within an approximate bandwidth of 300-3000 Hz.

(D)  
|  
(D)

MissouriPublic

FILED AUG 12 2002

Service Commission

ISSUED:  
July 2,2002

Richard D. Lawson  
State Executive, External Affairs  
319 Madison  
Jefferson City, MO 65101

EFFECTIVE:  
[REDACTED]

AUG 12 2002

SPRINT MISSOURI, INC.  
d/b/a SPRINT

Third Revised Page 281  
Cancels Second Revised Page 281

Se = J'rfM J on

ACCESS SERVICE

REC'D MAY 03 2000

7. Special Access Service (Cont'd)

7.1 General (Cont'd)

7.1.1 Channel Types (Cont'd)

For purposes of ordering channels, each has been identified as a type of Special Access Service. However, such identification *is* not intended to limit a customer's use of the channel nor to imply t-hat the channel is limited to a particular use.

Following is a brief description of each type of channel:

Voice Grade - A channel for the transmission of analog signals within an approximate bandwidth of 300-3000 Hz.

Program Audio - A channel for the transmission of audio signals. The nominal frequency bandwidths are from 50 Hz to 15000 Hz, from 200 to 3500 Hz, from 100 to 5000 Hz, from 50 to 8000 Hz.

Video - A channel for the transmission of a standard 525 line/60 field monochrome or National Television Systems Committee color video signal and up to four associated 5 or 15 kHz audio signals. The bandwidth for a video channel is either 30Hz to 4.5 MHz or 30 Hz to 6.6 Mhz.

(C)

c"\\dlto  
#6 1211  
.. fbsm ..

Missouri Public  
SeNrce cornm Taaon

FILED JUN 02 2000

ISSUED:  
May 3, 2000

Richard D. Lawson  
State Executive, External Affairs

EFFECTIVE:  
June 2, 2000

SPRINT MISSOURI, INC.  
d/b/a/ SPRINT

Second Revised Page 281  
Cancels First Revised Page 281

ACCESS SERVICE

**f.J I Son**

7. Special Access Service (Cont'd)

REC'D FtJ 09 2000

7.1 General (Cont'd)

7.1.1 Channel Types (Cont'd)

For purposes of ordering channels, each has been identified as a type of Special Access Service. However, such identification is not intended to limit a customer's use of the channel nor to imply that the channel is limited to a particular use.

(C)

Following is a brief description of each type of channel:

(D)

|

(D)

Voice Grade - A channel for the transmission of analog signals within an approximate bandwidth of 300-3000 Hz.

Program Audio - A channel for the transmission of audio signals. The nominal frequency bandwidths are from 50 Hz to 15000 Hz, from 200 to 3500 Hz, from 100 to 5000 Hz, from 50 to 8000 Hz.

Video - A channel for the transmission of a standard 525 line/60 field monochrome or National Television Systems Committee color video signal and one or two associated 5 or 15 kHz audio signals. The bandwidth for a video channel is either 30Hz to 4.5 MHz or 30 Hz to 6.6 Mhz.

**CANCELLED**

JUN 02 2000

By **j(Z' gl**  
Public Service Commission  
MISSOURI

Missouri Public  
Service Commission

FILED MAR 10 2000

ISSUED:  
February 9, 2000

Richard D. Lawson  
State Executive, External Affairs

EFFECTIVE:  
March 10, 2000

SPRINT MISSOURI, INC.  
d/b/a/ SPRINT

First Revised Page 281  
Cancels Original Page 281

ACCESS SERVICE

Missouri Public  
Service Commission

7. Special Access Service (Cont'd)

REC'D StP 10 1999

7.1 General {Cont'd}

7.1.1 Chan\_nel (Cont'd)  
Types

For purposes of ordering channels, each has been identified as a type of Special Access Service. However, such identification is not intended to limit a customer's use of the channel nor to imply that the channel is limited to a particular use. For example, if a customer's equipment is capable of transmitting voice over a channel that is identified as a Telegraph Service (T) in this tariff, there is no restriction against doing so.

Following is a brief description of each type of channel:

(D)  
(D)

Telegraph Grade - A channel for the transmission of binary signals at rates of 0 to 75 baud or 0 to 150 baud.

Voice Grade - A channel for the transmission of analog signals within an approximate bandwidth of 300-3000 Hz.

Program Audio - A channel for the transmission of audio signals. The nominal frequency bandwidths are from 50 Hz to 15000 Hz, from 200 to 3500 Hz, from 100 to 5000 Hz, from 50 to 8000 Hz.

Video - A channel for the transmission of a standard 525 line/60 field monochrome or National Television Systems Committee color video signal and one or two associated 5 or 15 kHz audio signals. The bandwidth for a video channel is either 30 Hz to 4.5 MHz or 30 Hz to 6.6 Mhz.

**CANCELLED**

MAR 10 2000  
s J.tl Rr ':;1 .  
PubliService Comiw.,-lon  
MISSOURI

∞f1>.....r;...-1 : 'r'l"-1;...  
::> :-!'- ;:..kffr;...l;... f-[ 1:7.3:"

FILED !!JC: I ... } '1999

ISSUED:  
September: 10, 1999

Richard D. Lawson  
State Executive, External Affairs

EFFECTIVE:  
October, 1999

OCT 15 1999

UNITED TELEPHONE COMPANY  
OF MISSOURI

Original Page 281

ACCESS SERVICE

RECEIVED

SEP 17 1992

7. Special Access Service (Cont'd)

MO. PUBLIC SERVICE COM. 17

7.1 General (Cont'd)

7.1.1 Channel Types (Cont'd)

For purposes of ordering channels, each has been identified as a type of Special Access Service. However, such identification is not intended to limit a customer's use of the channel nor to imply that the channel is limited to a particular use. For example, if a customer's equipment is capable of transmitting voice over a channel that is identified as a Metallic Service in this tariff, there is no restriction against doing so.

Following is a brief description of each type of channel:

Metallic - a channel for the transmission of low speed varying signals at rates up to 30 baud.

Telegraph Grade - A channel for the transmission of binary signals at rates of 0 to 75 baud or 0 to 150 baud.

Voice Grade - A channel for the transmission of analog signals within an approximate bandwidth of 300-3000 Hz.

Program Audio - A channel for the transmission of audio signals. The nominal frequency bandwidths are from 50 Hz to 15000 Hz, from 200 to 3500 Hz, from 100 to 5000 Hz, from 50 to 8000 Hz.

Video - A channel for the transmission of a standard 525 line/60 field monochrome or National Television Systems Committee color video signal and one or two associated 5 or 15 kHz audio signals. The bandwidth for a video channel is either 30 Hz to 4.5 MHz or 30 Hz to 6.6 MHz.

**CANCELLED**

OCT 15 1999

Ly |S|- SJ;28/ .  
Public serv1ce Commtsston  
MISSOURI

FILED

SEP 17 1992

ST. LOUIS, MO. PUBLIC SERVICE COMMISSION

ISSUED:  
September 17, 1992

BY: John L Roe  
Vice President - Administration  
5454 West 110th Street  
Overland Park, Kansas 66211

EFFECTIVE:

NOV 7 1992

ACCESS SERVICE

7. Special Access Service (Cont'd)

7.1 General (Cont'd)

7.1.1 Channel Types (Cont'd)

Digital Data - A channel for the digital transmission of synchronous serial data at rates of 2.4, 4.8, 9.6, 19.2, 56 or 64 kbps provided where facilities are available as determined by the Telephone Company.

High capacity - A channel for the digital transmission of isochronous serial digital data at a rate of 1.544, 3.152, 6.312, 44.736 or 274.176 Mbps provided where facilities are available as determined by the Telephone Company.

Detailed descriptions of each of the channel types are provided in 7.2 following.

The customer also has the option of ordering Voice Grade and analog and digital high capacity facilities (i.e., Group, Supergroup, Mastergroup, 1.544 Mbps, 3.152 Mbps, 6.312 Mbps, 44.736 Mbps and 274.176 Mbps) to a Telephone Company Hub for multiplexing to individual channels of a lower capacity or bandwidth. Descriptions of the types of multiplexing are available at the Hubs, as well as the number of individual channels which may be derived from each type of facility are set forth in 7.2 following. Additionally, the customer may specify optional features for the individual channels derived from the facility to further tailor the channel to meet specific communications requirements. Descriptions of the optional features and functions available are also set forth in 7.2 following.

ISSUED:  
March 30, 2007

Mark D. Harper  
Director - State Regulatory  
5454 W. 110th Street  
Overland Park, Kansas 66211

EFFECTIVE:  
April 30, 2007

CANCELLED  
November 1, 2021  
Missouri Public  
Service Commission  
JI-2022-0069

**Filed**  
Missouri Public  
Service Commission



SPRINT MISSOURI, INC.  
d/b/a/ SPRINT

Second Revised Page 282  
Cancels first Revised Page 282

ACCESS SERVICE

7. Special Access Service (Cont'd)

7.1 General\_ (Cont'd)

7.1.1 Channel Types (Cont'd)

Digital Data - A channel for the digital transmission of synchronous serial data at rates of 2.4, 4.8, 9.6, 19.2, 56 or 64 kbps provided where facilities are available as determined by the Telephone Company. (T)

High capacity - A channel for the digital transmission of isochronous serial digital data at a rate of 1.544, 3.152, 6.312, 44.736 or 274.176 Mbps provided where facilities are available as determined by the Telephone Company. (T)  
(C)

(D)  
(D)  
(D)

Detailed descriptions of each of the channel types are provided in 7.2 following.

The customer also has the option of ordering Voice Grade and analog and digital high capacity facilities (i.e., Group, Supergroup, Mastergroup, 1.544 Mbps, 3.152 Mbps, 6.312 Mbps, 44.736 Mbps and 274.176 Mbps) to a Telephone Company Hub for multiplexing to individual channels of a lower capacity or bandwidth. Descriptions of the types of multiplexing are available at the Hubs, as well as the number of individual channels which may be derived from each type of facility are set forth in 7.2 following. Additionally, the customer may specify optional features for the individual channels derived from the facility to further tailor the channel to meet specific communications requirements. Descriptions of the optional features and functions available are also set forth in 7.2 following.

(D)

Missouri Public Service Commission  
RFCTJ  
10 1999

ISSUED:  
September 10, 1999

Richard D. Lawson  
State Executive, External Affairs

EFFECTIVE:

OCT 15 1999

UNITED TELEPHONE COMPANY  
OF MISSOURI

First Revised Page 282  
Cancels Original Page 282

ACCESS SERVICE

**RECEIVED**

7. Special Access Service (Cont'd)

**DEC 07 1995**

7.1 General (Cont'd)

**MISSOURI  
Public Service Commission**

7.1.1 Channel Types (Cont'd)

United DigiLink-""- A channel for the digital transmission of synchronous serial data at rates of 2.4, 4.8, 9.6, 19.2, 56 or 64 kbps provided where facilities are available as determined by the Telephone Company. (C)

United TransLink-!!!- A channel for the digital transmission of isochronous serial digital data at a rate of 1.544 Mbps provided where facilities are available as determined by the Telephone Company.

High Capacity - a channel for the digital transmission of isochronous serial data at rates of 3.152, 6.312, 44.736 or 274.176 Mbps.

Detailed descriptions of each of the channel types are provided in 7.2 following.

The customer also has the option of ordering Voice Grade and analog and digital high capacity facilities (i.e., Group, Supergroup, Mastergroup, 1.544 Mbps, 3.152 Mbps, 6.312 Mbps, 44.736 Mbps and 274.176 Mbps) to a Telephone Company Hub for multiplexing to individual channels of a lower capacity or bandwidth. Descriptions of the types of multiplexing are available at the Hubs, as well as the number of individual channels which may be derived from each type of facility are set forth in 7.2 following. Additionally, the customer may specify optional features for the individual channels derived from the facility to further tailor the channel to meet specific communications requirements. Descriptions of the optional features and functions available are also set forth in 7.2 following.

A Service Mark of United Telecommunications, Inc.

**CANCELLED**

OCT 15 1995  
11- *tdiAl.*

**FILED**

**:commission JAN 8 1996  
Public MISSOURI**

ISSUED:  
December 7, 1995

BY: John L. Roe  
Vice President - Carrier and Regulatory Services  
5454 West 110th Street  
Overland Park, Kansas 66211

**MISSOURI  
Public Service Commission  
January 8, 1996**

UNITED TELEPHONE COMPANY  
OF MISSOURI

Original Page 282

j1 C B F1::D

SEP 17 1992

ACCESS SERVICE

7. Special Access Service (Cont'd)

O. ru:mc s::nvtr: com,1.

7.1 General (Cont'd)

7.1.1 Channel Types (Cont'd)

United DigiLink•- A channel for the digital transmission of synchronous serial data at rates of 2.4, 4.8, 9.6, 19.2, or 56.0 kbps provided where facilities are available as determined by the Telephone Company.

United TransLink•- A channel for the digital transmission of isochronous serial digital data at the rate of 1.544 Mbps provided where facilities are available as determined by the Telephone Company.

High Capacity - a channel for the digital transmission of isochronous serial data at rates of 3.152, 6.312, 44.736 or 274.176 Mbps.

Detailed descriptions of each of the channel types are provided in 7.2 following.

The customer also has the option of ordering Voice Grade and analog and digital high capacity facilities (i.e., Group, Supergroup, Mastergroup, 1.544 Mbps, 3.152 Mbps, 6.312 Mbps, 44.736 Mbps and 274.176 Mbps) to a Telephone Company Hub for multiplexing to individual channels of a lower capacity or bandwidth. Descriptions of the types of multiplexing are available at the Hubs, as well as the number of individual channels which may be derived from each type of facility are set forth in 7.2 following. Additionally, the customer may specify optional features for the individual channels derived from the facility to further tailor the channel to meet specific communications requirements. Descriptions of the optional features and functions available are also set forth in 7.2 following.

• A Service Mark of United Telecommunications, Inc.

**CANCELLED**

JAN 8 1996  
BY Let R.S. #282  
Public Service Commission  
MISSOURI

U

!OV ? 1992

LifJ. :-;:;: : : : ;:;:J

ISSUED:  
September 17, 1992

BY: John L Roe  
Vice President - Administration  
5454 west 110th Street  
Overland Park, Kansas 66211

EFFECTIVE:  
**Glf2b6! 19\ " 1''''**  
NOV 7 1992

SPRINT MISSOURI, INC.  
d/b/a SPRINT

first Revised Page 283  
Cancels Original Page 283

ACCESS SERVICE

**Missouri Public  
Service Commission**

7. Special Access Service (Cont'd)

**REC'D FEB 09 2000**

7.1 General (Cont'd)

7.1.1 Channel Types (Cont'd)

For example, a customer may order a 3.152 Mbps facility from a customer designated premises to a Telephone Company Hub for multiplexing to two 1.544 Mbps channels. The 1.544 Mbps channels may be further multiplexed at the same or a different Hub to Voice Grade channels or may be extended to other customer designated premises. Optional features may be added to either the 1.544 Mbps or the Voice Grade Channels.

7.1.2 Rate Categories

There are three basic rate elements which apply to Special Access Service:

- Channel Terminations (described in 7.1.2(A) following)
- Channel Mileage (described in 7.1.2(C) following)
- Optional Features and Functions (described in 7.1.2(E) following)

(A) Channel Termination

The Channel Termination rate category provides for the communications path between a customer designated premises and the serving wire center of that premises. Included as part of the Channel Termination is a standard channel interface arrangement which defines the technical characteristics associated with the type of facilities to which the access service is to be connected at the Point of Termination (POT) and the type of signaling capability, if any. The signaling capability itself is provided as an optional feature as set forth in (E) following. One Channel Termination charge applies per customer designated premises at which the channel is terminated. This charge will apply even if the customer designated premises and the serving wire center are co-located in a Telephone Company building. (T)

**Missouri Public  
Service Commission**

**FILED MAR 10 2000**

ISSUED:  
February 9, 2000

Richard D. Lawson  
State Executive, External Affairs

EFFECTIVE:  
March 10, 2000

UNITED TELEPHONE COMPANY  
OF MISSOURI

Original Page 283

ACCESS SERVICE

RECEIVED

SEP 17 1992

7. Special Access Service (Cont'd)

7.1 General (Cont'd)

MO. PUBLIC SERVICE COMM.

7.1.1 Channel Types (Cont'd)

For example, a customer may order a 3.152 Mbps facility from a customer designated premises to a Telephone Company Hub for multiplexing to two 1.544 Mbps channels. The 1.544 Mbps channels may be further multiplexed at the same or a different Hub to Voice Grade channels or may be extended to other customer designated premises. Optional features may be added to either the 1.544 Mbps or the Voice Grade Channels.

7.1.2 Rate Categories

There are three basic rate elements which apply to Special Access Service:

- Channel Terminations (described in 7.1.2(A) following)
- Channel Mileage (described in 7.1.2(C) following)
- Optional Features and Functions (described in 7.1.2(E) following)

(A) Channel Termination

The Channel Termination rate category provides for the communications path between a customer designated premises and the serving wire center of that premises. Included as part of the Service Termination is a standard channel interface arrangement which defines the technical characteristics associated with the type of facilities to which the access service is to be connected at the Point of Termination (POT) and the type of signaling capability, if any. The signaling capability itself is provided as an optional feature as set forth in (E) following. One Channel Termination charge applies per customer designated premises at which the channel is terminated. This charge will apply even if the customer designated premises and the serving wire center are co-located in a Telephone Company building.

**CANCELLED**

MAR 10 2000

B' \ slZ.P d-1'7\_ . Public  
serv1ce Comnu::>:>lOn  
MISSOURI

t; w -v  
J L -t J

! :OV ' ? 1992.

MO. PUBLIC SERVICE COMM.

ISSUED:  
September 17, 1992

BY: John L Roe  
Vice President - Administration  
5454 West 110th Street  
Overland Park, Kansas 66211

EFFECTIVE:  
\* Qvt.uabw#b :G!!!!+JF\*  
MDV 1 '992

SPRINT MISSOURI, INC.  
d/b/a SPRINT

First Revised Page 284  
Cancels Original Page 284

ACCESS SERVICE

RECEIVED

7. Special Access Service (Cont'd)

JAN 26 2001

7.1 General (Cont'd)

MISSOURI  
Public Service Commission

7.1.2 Rate Categories (Cont'd)

(B) Reserved For Future Use

(C) Channel Mileage

The Channel Mileage rate category provides for the *end office equipment and the transmission channel* between the serving wire centers associated with two customer designated premises, between a serving wire center associated with a customer designated premises and a Telephone Company Hub or between two Telephone Company Hubs or between a WATS Serving Office and a Customer serving wire center when the two are not co-located. Channel Mileage rates are made up of the Channel Mileage Facility rate and the Channel Mileage Termination rate. Channel Mileage charges are set forth in Section 7.5.

(1) Channel Mileage Facility

The Channel Mileage Facility rate recovers the cost for the transmission path which extends between the Telephone Company serving wire centers and/or hub(s) and includes primarily outside plant used to provide the facility.

FILED

FEB 26 2001

MISSOURI  
Public Service Commission

ISSUED:  
January 26, 2001

Richard D. Lawson  
State Executive, External Affairs  
319 Madison  
Jefferson City, MO 65101

EFFECTIVE:  
February 26, 2001

UNITED TELEPHONE COMPANY  
OF MISSOURI

Original Page 284

ACCESS SERVICE

RECEIVED

7. Special Access Service (Cont'd)

SEP 17 1992

7.1 General (Cont'd)

MO. PUBLIC SERVICE COMM.

7.1.2 Rate Categories (Cont'd)

(B) Reserved For Future Use

(C) Channel Mileage

The Channel Mileage rate category provides for the transmission facilities between the serving wire centers associated with two customer designated premises, between a serving wire center associated with a customer designated premises and a Telephone Company Hub or between two Telephone Company Hubs. Channel Mileage is portrayed in mileage bands. There are two rates that apply for each band, i.e., a Channel Mileage fixed rate and a Channel Mileage per mile rate.

The channel mileage fixed rates are based on the costs of terminations at serving wire centers/hubs. These channel mileage fixed rates do not include any intermediate termination costs, and are applicable only when the facilities terminate in the Telephone Company's serving wire center/hub.

Following are the two methodologies used by the Telephone Company in the development and application of the channel mileage fixed rates.

CANCELLED

JAN 8 1996 # 284  
BY let R.S.  
Public Service Commission  
MISSOURI

1117'99

NOV 7 1992

MO. PUBLIC SERVICE COMM.

ISSUED:  
September 17, 1992

BY: John L Roe  
Vice President - Administration  
5454 West 110th Street  
Overland Park, Kansas 66211

EFFECTIVE:  
1117'99  
NOV 7 1992

SPRINT MISSOURI, INC.  
db/a SPRINT

Second Revised Page 285  
Cancels First Revised Page 285

ACCESS SERVICE

RECEIVED

7. Special Access Service (Cont'd)

JAN 26 2001

7.1 General (Cont'd)

MISSOURI  
Public Service Commission

7.1.2 Rate Categories (Cont'd)

(C) Channel Mileage (Cont'd)

(T)

(D)

(D)

(2) Channel Mileage Termination

The Channel Mileage Termination rate recovers the cost for end office equipment associated with terminating the facility (i.e., basic circuit equipment and terminations at serving wire centers and hubs). The Telephone Company applies a 50% billing percentage to the channel mileage fixed rate on jointly owned circuits, and applies 100% on wholly owned circuits. When the Channel Mileage Facility is zero (i.e., collocated serving wire centers), neither the Channel Mileage Facility rate nor the Channel Mileage Termination rate will apply.

(D) Reserved for Future Use

FILED

FEB 26 2001

MISSOURI  
Public Service Commission

ISSUED:  
January 26, 2001

Richard O. Lawson  
State Executive, External Affairs  
319 Madison  
Jefferson City, MO 65101

EFFECTIVE:  
February 26, 2001



SPRINT MISSOURI, INC.  
d/b/a SPRINT

First Revised Page 285  
Cancels Original Page 285

ACCESS SERVICE

7. Special Access Service {Cont'd}

7.1 General (Cont'd)

7.1.2 Rate Categories (Cont'd)

(c) Channel Mileage

(1) Applicable to all special access channel mileage fixed rates in this section excluding Digital Data and High Capacity: Channel mileage fixed rates are developed using weighted average costs based on the ownership of terminations. Weighted average costs are derived by dividing total termination costs by the Telephone Company's billable terminations. The Telephone Company applies 100% of the channel mileage fixed rate to each circuit whether wholly or jointly provided. (T)

(2) Applicable to Digital Data and High Capacity channel mileage fixed rates: (T)

Channel Mileage fixed rates are based on the costs of the terminations in the serving wire centers associated with two customer designated premises and/or hubs. The Telephone company applies a 50% billing percentage to the channel mileage fixed rate on jointly owned circuits, and applies 100% on wholly owned circuits. Any future special access rate filings will be administered using this methodology as well.

(D) Reserved for Future Use

**CANCEU t=0**

(D)

FEB 26 2001

E., - c2t0) > tz\_r r/b S-  
Public <:rv:::e Comnu::s1on  
MISSOURI

Missouri Public  
Service Commission

FILLO r w: ' .: 5 .;ggg

ISSUED:  
September 10, 1999

Richard D. Lawson  
State Executive, External Affairs

EFFECTIVE:  
October 11, 1999

OCT 15 1999

UNITED TELEPHONE COMPANY  
OF MISSOURI

Original Page 285

ACCESS SERVICE

RECEIVED

SEP 17 1992

7. Special Access Service (Cont'd)

7.1 General (Cont'd)

fj/D. fUBUC SE VICE CO fir.i.

7.1.2 Rate Categories (Cont'd)

(C) Channel Mileage

(1) Applicable to all special access channel mileage fixed rates in this section excluding United DigiLink• and United TransLink•: Channel mileage fixed rates are developed using weighted average costs based on the ownership of terminations. Weighted average costs are derived by dividing total termination costs by the Telephone Company's billable terminations. The Telephone Company applies 100% of the channel mileage fixed rate to each circuit whether wholly or jointly provided.

(2) Applicable to United Digilink•and United Translink• channel mileage fixed rates:

Channel Mileage fixed rates are based on the costs of the terminations in the serving wire centers associated with two customer designated premises and/or hubs. The Telephone company applies a 50% billing percentage to the channel mileage fixed rate on jointly owned circuits, and applies 100% on wholly owned circuits. Any future special access rate filings will be administered using this methodology as well

(D) Reserved for Future Use

• Service mark of United Telecommunications, Inc.

CANCELLED

QCI 15 1992  
S11-JV:..J  
t\ f s, N ice CommiSSI On  
Pub 1c W, ssOURI

FILED

RWV ? 1992

MO. PUBLIC SERVICE COMMISSION

ISSUED:  
September 17, 1992

BY: John L Roe  
Vice President - Administration  
5454 West 110th Street  
Overland Park, Kansas 66211

EFFECTIVE:  
MJP  
NOV 7 1992

SPRINT MISSOURI, INC.  
d/b/a SPRINT

First Revised Page 286  
Cancels Original Page 286

ACCESS SERVICE

7. Special Access Service (Cont'd)

7.1 General(Cont'd)

7.1.2 Rate Categories (Cont'd)

(E) Optional Features and Functions

The Optional Features and Functions rate category provides for optional features and functions which may be added to a Special Access Service to improve its quality or utility to meet specific communications requirements. These are not necessarily identifiable with specific equipment, but rather represent the end result in terms of performance characteristics which may be obtained. These characteristics may be obtained by using various combinations of equipment. Although the equipment necessary to perform a specified function may be installed at various locations along the path of the service, they will be charged for as a single rate element.

Examples of Optional Features and Functions that are available include, but are not limited to, the following:

- Signaling
- Capability Hubbing
- Functions
- Conditioning

(D)

Missouri Public

REC'D JAN 07 2002

Service Commission

Missouri Public

FILED FEB 07 2002

Service Commission

M  
a  
d  
i  
s  
o  
n

EF  
FECTI  
VE:  
Februar  
y 7.  
2002

Jefferson  
City, MO  
65101

UNITED TELEPHONE COMPANY  
OF MISSOURI

Original Page 286

ACCESS SERVICE

AIECEmED

SEP 171992

7. Special Access Service (Cont'd)

7.1 General (Cont'd)

MO. PUBLIC SERVICE COM.

7.1.2 Rate Categories (Cont'd)

(E) Optional Features and Functions

The Optional Features and Functions rate category provides for optional features and functions which may be added to a Special Access Service to improve its quality or utility to meet specific communications requirements. These are not necessarily identifiable with specific equipment, but rather represent the end result in terms of performance characteristics which may be obtained. These characteristics may be obtained by using various combinations of equipment. Although the equipment necessary to perform a specified function may be installed at various locations along the path of the service, they will be charged for as a single rate element.

Examples of Optional Features and Functions that are available include, but are not limited to, the following:

- Signaling Capability
- Hubbing Functions
- Conditioning
- Transfer Arrangements

**CANCELLED**

FEB 07 2002  
By ST RP 286  
Public Service Commission  
MISSOURI

r;t.=irJ!

IWV 7 1992

MO. PUBLIC SERVICE COM.

ISSUED:  
September 17, 1992

BY: John L Roe  
Vice President - Administration  
5454 West 110th Street  
Overland Park, Kansas 66211

EFFECTIVE:

Nov 1 1992

UNITED TELEPHONE COMPANY  
OF MISSOURI

Original Page 287

ACCESS SERVICE

RECEIVED

SEP 17 1992

7. Special Access Service (Cont'd)}

MO.PUBLICSERVICECOMM.

7.1 General (Cont'd)

7.1.2 Rate Categories (Cont'd)

(E) Optional Features and Functions (Cont'd)

A Hub is a Telephone Company designated serving wire center at which bridging or multiplexing functions are performed. The bridging functions performed are to connect three or more customer designated premises in a multipoint arrangement. The multiplexing functions are to channelize digital facilities to individual services requiring a lower capacity or bandwidth.

Descriptions for each of the available Optional Features and Functions are set forth in 7.2 following.

7.1. Service Configurations

There are three types of service configurations over which Special Access Services are provided: two-point service, multipoint service and a WATS Access Line.

(A) Two-Point Service

A two-point service connects two customer designated premises, either on a directly connected basis or through a Hub where multiplexing functions are performed.

Applicable rate elements are:

- Channel Terminations
- Channel Mileage (as applicable)
- Optional Features and Functions (when applicable)

FILED

1992

ISSUED:  
September 17, 1992

BY: John L Roe  
Vice President - Administration  
5454 West 110th Street  
Overland Park, Kansas 66211

MO. PUBLIC SERVICE COMM.  
EFFECTIVE:  
NOV 7 1992

SPRINT MISSOURI, INC.  
d/b/a SPRINT

First Revised Page 288  
Cancels Original Page 288

ACCESS SERVICE

**Missouri Public  
Service Commission**

7. Special Access Service (Cont'd)

**RECD FEB 09 ZCJO**

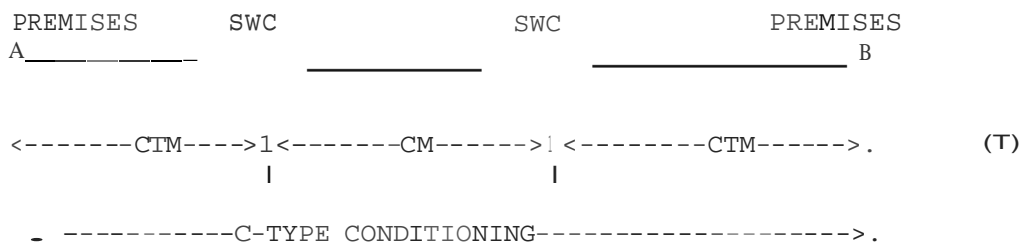
7.1 General (Cont'd)

7.1.3 Service Configurations (Cont'd)

(A) Two-Point Service (Cont'd)

In addition, a Special Access Surcharge as set forth in 7.4.2 following may be applicable. (C)

The following diagram depicts a two-point Voice Grade service connecting two customer designated premises located 15 miles apart. The service is provided with C-Type Conditioning.



CTM -Channel Termination (T)  
CM -Channel Mileage  
SWC -Serving Wire Center

Applicable rate elements are:

- Channel Terminations (2 applicable)
- Channel Mileage (mileage band Over 8 to 25 miles)
- C-Type Conditioning Optional Feature

**Missouri Public  
Service Commission**

**FILED MAR 10 2000**

ISSUED:  
February 9, 2000

Richard D. Lawson  
State Executive, External Affairs

EFFECTIVE:  
March 10, 2000

ACCESS SERVICE

7. Special Access Service (Cont'd)

SEP 17 1992

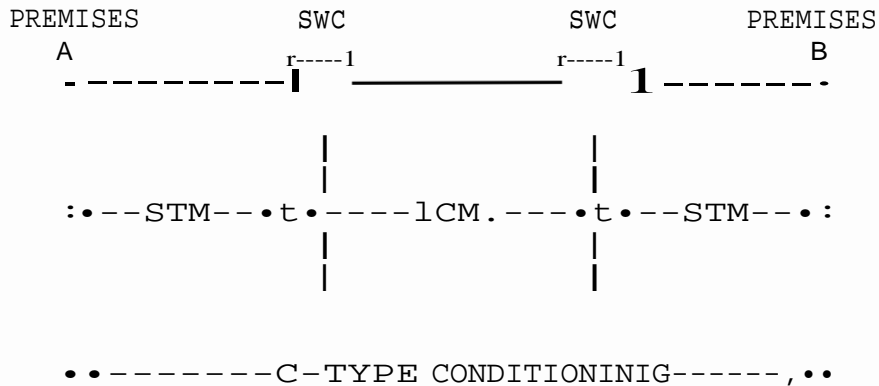
7.1 General (Cont'd)

7.1.3 Service Configurations (Cont'd)

(A) Two-Point Service (Cont'd)

In addition, a Special Access Surcharge as set forth in 7.4.2 following and a Message Station Equipment Recovery Charge as set forth in 7.4.3 following and/or an Inside Wire Recovery Charge as set forth in 7.4.9 following may be applicable.

The following diagram depicts a two-point Voice Grade service connecting two customer designated premises located 15 miles apart. The service is provided with C-Type Conditioning.



STM -Service Termination  
CM -Channel Mileage  
SWC -Serving Wire Center

Applicable rate elements are:

**CANCELLED**

Channel Terminations (2 applicable)  
Channel Mileage (mileage band Over 8 to 25 miles)  
C-Type Conditioning Optional Feature

MAR 10 2000

b \ t !ZPJ 'b .  
Public SeiVice CommiSSion  
MISSOURI

7 1992

ISSUED:  
September 17, 1992

BY: John L Roe  
Vice President - Administration  
5454 West 110th Street  
Overland Park, Kansas 66211

EFFECTIVE:  
3 - -JE p  
NOV 7 1992



## ACCESS SERVICE

7. Special Access Service (Cont'd)7.1 General (Cont'd)7.1.3 Service Configurations (Cont'd)(B) Multipoint Service

Multipoint service connects three or more customer designated premises through a Telephone Company Hub. There is no limitation on the number of mid-links available with multipoint service. However, when more than three mid-links are provided in tandem, the quality of the service may be degraded. A mid-link is a channel between Hubs (i.e., bridging locations). Only certain types of Special Access Service are provided as multipoint service. These are so designated in the Service Descriptions set forth in 7.2 following.

Multipoint service utilizing a customized technical specifications package as set forth in 7.2 following will be provided when technically possible. If the Telephone Company determines that the requested characteristics for a multipoint service are not compatible, the customer will be advised and given the opportunity to change the order.

When ordering, the customer will specify the desired bridging Hub(s) selected from the Exchange Carrier Association Tariff. This tariff identifies the type(s) of bridging functions which are available and the serving wire centers at which they are available.

NOV 1 1992

ISSUED:  
September 17, 1992BY: John L Roe  
Vice President - Administration  
5454 West 110th Street  
Overland Park, Kansas 66211EFFECTIVE:  
- :? { ;wi·tN:ee-

NOV 1 1992

SPRINT MISSOURI, INC.  
d/b/a SPRINT

First Revised Page 290  
Cancels Original Page 290

fu:;t,q  
... r--t...l...! IOfl

ACCESS SERVICE

REC'D FEB 09 2000

7. Special Access Service (Cont'd)

7.1 General (Cont'd)

7.1.3 Service Configurations (Cont'd)

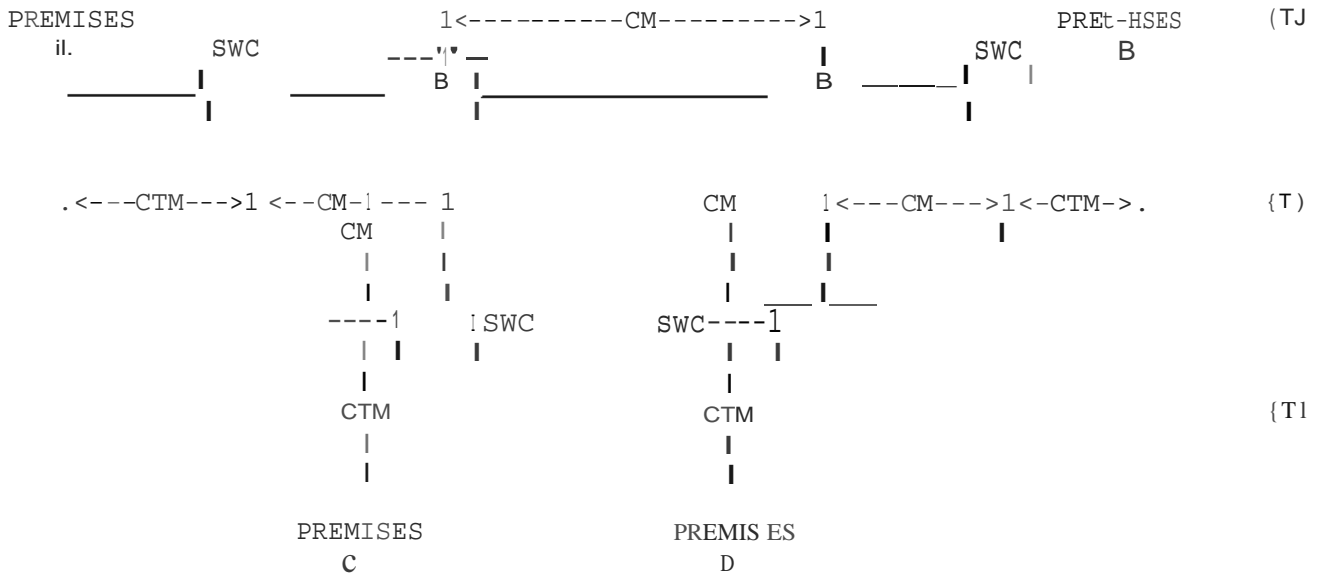
(B) Multipoint Service (Cont'd)

Applicable Rate Elements are:

- Channel Terminations (one per customer designated premises)
- Channel Mileage (as applicable between each designated customer premises and the Hub and between Eubs)
- Bridging
- Additional Optional Features (when applicable)

In addition, (he Special Access Surcharge as set forth in 7.4.2 following may be applicable. (C)

Example: Voice Grade multipoint service connecting four customer premises via two customer specified bridging hubs.



CTM -Channel Termination (T)  
 CM -Channel Mileage  
 B -Bridging  
 SWC -Serving Wire Center (T)

Missouri Public Service Commission

FILED MA10 2000

ISSUED:  
february 9, 2000

Richard D. Lawson  
State Executive, External Affairs

EFFECTIVE:  
March 10, 2000

ACCESS SERVICE

7. Special Access Service (Cont'd)

SEP 17 1992

7.1 General (Cont'd)

7.1.3 Service Configurations (Cont'd)

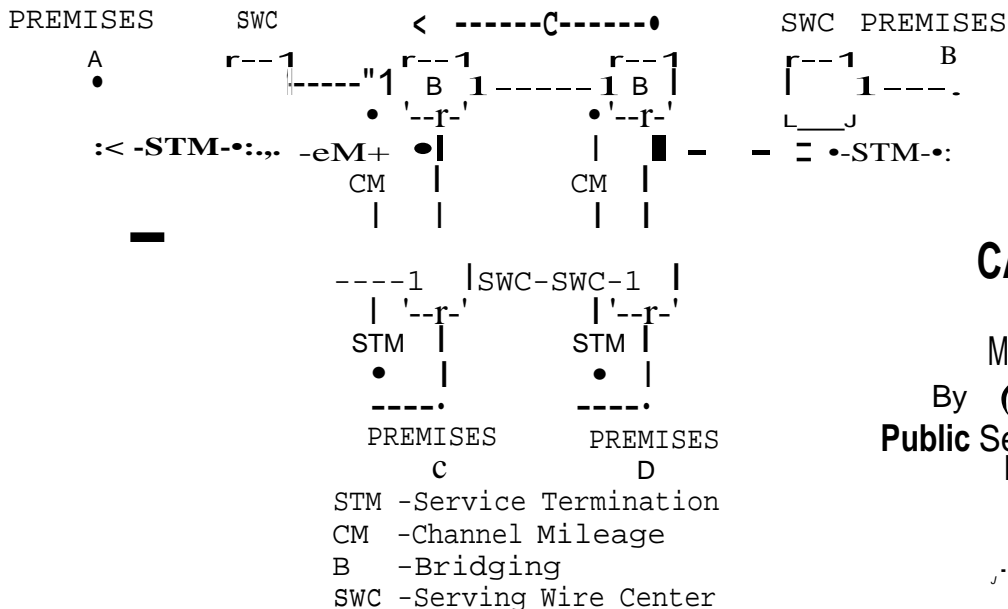
(B) Multipoint Service (Cont'd)

Applicable Rate Elements are:

- Channel Terminations (one per customer designated premises)
- Channel Mileage (as applicable between each designated customer premises and the Hub and between Hubs)
- Bridging
- Additional Optional Features (when applicable)

In addition, the Special Access Surcharge as set forth in 7.4.2 following and a Message Station Equipment Recovery Charge as set forth in 7.4.3 following and/or an Inside Wire Recovery Charge as set forth in 7.4.9 following may be applicable.

Example: Voice Grade multipoint service connecting four customer premises via two customer specified bridging hubs.



**CANCELLED**

MAR 10 2000

By (S ?(f :2'1o

**Public Service Commission  
MISSOURI**

r:OV a2

I..L:

ISSUED:  
September 17, 1992

BY: John L Roe  
Vice President - Administration  
5454 West 110th Street  
Overland Park, Kansas 66211

EFFECTIVE:  
\_\_\_\_\_, thi' III j f rt  
NOV 7 1 Q2

ACCESS SERVICE

7. Special Access Service (Cont'd)

7.1 General (Cont'd)

7.1.3 Service Configurations (Cont'd)

(B) Multipoint Service (Cont'd)

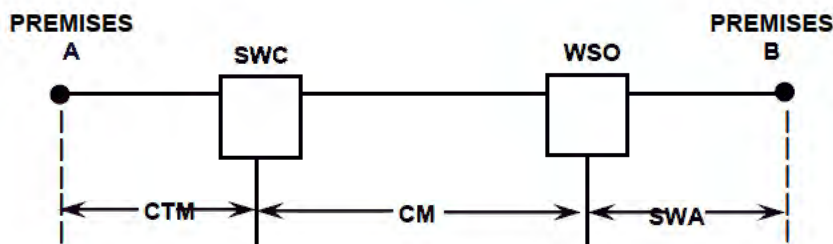
Applicable Rate Elements are:

- Channel Terminations (4 applicable)
- Channel Mileage (5 sections, each from appropriate mileage band)
- Bridging (0.6 applicable, i.e., each bridge port)

(C) WATS Access Line Service

WATS Access Line (WAL) provides a Voice Grade Channel Termination and Channel Mileage, where appropriate, between the End User premises and the WATS serving office and is used in conjunction with Switched Access Service as set forth in Paragraph 6.2.5, preceding.

The following diagram depicts a WATS Access Line service connecting a customer designated premises to the WATS serving office. The customer's serving wire center and the WATS serving office are located 10 miles apart.



- CTM** - Channel Termination
- CM** - Channel Mileage
- SWC** - Serving Wire Center
- WSO** - WATS Serving Office
- SWA** - Switched Access

ISSUED:  
March 30, 2007

Mark D. Harper  
Director - State Regulatory  
5454 W. 110th Street  
Overland Park, Kansas 66211

EFFECTIVE:  
April 30, 2007

SPRINT MISSOURI, INC.  
d/b/a SPRINT

First Revised Page 291  
Cancels Original Page 291

ACCESS SERVICE

MISSOURI PUBLIC  
Service Commission

REC'D FEB 09 2000

7. Special Access Service (Cont'd)

7.1 General (Cont'd)

7.1.3 Service Configurations (Cont'd)

(8) Multipoint Service (Cont'd)

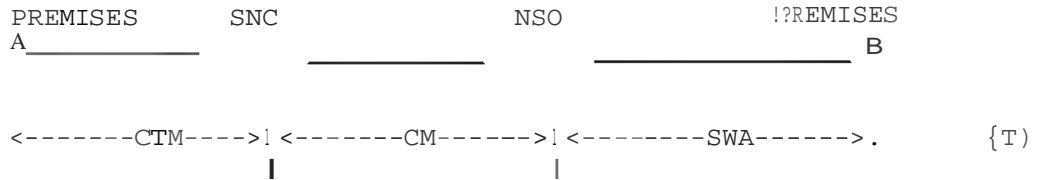
Applicable Rate Elements are:

- Channel Terminations (4 applicable)
- Channel Mileage (5 sections, each from appropriate mileage band)
- Bridging (0.6 applicable, i.e., each bridge port)

(C) WATS Access Line Service

WATS Access Line (WAL) provides a Voice Grade Channel Termination and Channel Mileage, here appropriate, between the End User premises and the WATS serving office and is used in conjunction with Switched Access Service as set forth in Paragraph 6.2.5, preceding.

The following diagram depicts a WATS Access Line service connecting a customer designated premises to the WATS serving office. The customer's serving wire center and the WATS serving office are located 10 miles apart.



- CTM - Channel Termination (T)
- CM - Channel Mileage
- SWC - Serving Wire Center
- WSO - WATS Serving Office
- SWA - Switched Access

MISSOURI PUBLIC  
Service Commission

FILED MAR 10 2000

ISSUED:  
february 9, 2000

Richard D. Lawson  
State Executive, External Affairs

EFFECTIVE:  
tvlarh 10, 2000

ACCESS SERVICE

7. Special Access Service (Cont'd)

SEP 17 1992

7.1 General (Cont'd)

7.1.3 Service Configurations (Cont'd)

(B) Multipoint Service (Cont'd)

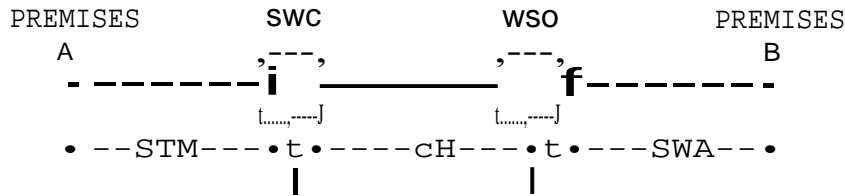
Applicable Rate Elements are:

- Channel Terminations (4 applicable)
- Channel Mileage (5 sections, each from appropriate mileage band)
- Bridging (0.6 applicable, i.e., each bridge port)

(C) WATS Access Line Service

WATS Access Line (WAL) provides a Voice Grade Channel Termination an Channel Mileage, where appropriate, between the End User premise and the WATS serving office and is used in conjunction with Switched Access Service as set forth in Paragraph 6.2.5, preceding.

The following diagram depicts a WATS Access Line service connecting a customer designated premises to the WATS serving office. The customer's serving wire center and the WATS serving office are located 10 miles apart.



STM - Service Termination  
 CM - Channel Mileage  
 SWC - Serving Wire Center  
 WSO - WATS Serving Office  
 SWA - Switched Access

**CANCELLED**

MAR 10 2000  
 By I sj: fZ? :1\_9/  
**Public Service Commission**  
**MISSOURI**

RCV 1 1992

ISSUED:  
September 17, 1992

BY: John L Roe  
 Vice President - Administration  
 5454 West 110th Street  
 Overland Park, Kansas 66211

EFFECTIVE:  
 tr i.eft.ltNA l'h;d \$52 a  
**NOV7**

ACCESS SERVICE

7. Special Access Service (Cont'd)

7.1 General (Cont'd)

7.1.3 Service Configurations (Cont'd)

(C) WATS Access Line Service (Cont'd)

Applicable rate elements for the WATS Access Line are:

- Channel Termination (1 Applicable)
- Channel Mileage (mileage band over 8 to 25 miles)
- Optional Features and Functions (when applicable)

In addition, a Special Access Surcharge, as set forth in 7.4.2, following may be applicable.

7.1.4 Alternate Use

Alternate Use occurs when a service is arranged by the Telephone Company so that the customer can select different types of transmission at different times. A customer may use a service in any privately beneficial manner. However, where technical or engineering changes are required to effectuate an alternate use, the Telephone Company will make such special arrangements available on an individual case basis.

The arrangement required to transfer the service from one operation to the other (i.e., the transfer relay and control leads) will be rated and provided on an individual case basis and filed in Section 12. Specialized Service or Arrangements. The customer will pay the stated tariff rates for the Access Service rate elements for the service ordered (i.e., Channel Terminations, Channel Mileage [as applicable] and Optional Features [if any]).

7.1.5 Special Facilities Routing

A customer may request that the facilities used to provide Special Access Service be specially routed. The regulations, Rates and Charges for Special Facilities Routing (i.e., Avoidance, Diversity and Cable-Only) are set forth in 11. following.

ISSUED:  
March 30, 2007

Mark D. Harper  
Director - State Regulatory  
5454 W. 110th Street  
Overland Park, Kansas 66211

EFFECTIVE:  
April 30, 2007

SPRINT MISSOURI, INC.  
d/b/a SPRINT

first Revised Page 292  
Cancels Original Page 292

17Gamm r1'Q  
s : \TVir' Q' , , , , , ' on

ACCESS SERVICE

REC'D FEB 09 2000

7. Special Access Service (Cont'd)

7.1 General (Cont'd)

7.1.3 Service Configurations (Cont'd)

(C) WATS Access Line Service (Cont'd)

Applicable rate elements for the WATS Access Line are:

- Channel Termination (1 Applicable)
- Channel Mileage (mileage band over 8 to 25 miles)
- Optional Features and Functions (when applicable)

In addition, a Special Access Surcharge, as set forth in 7.4.2, following may be applicable. (C)

7.1.1 Alternate Use

Alternate Use occurs when a service is arranged by the Telephone Company so that the customer can select different types of transmission at different times. A customer may use a service in any privately beneficial manner. However, where technical or engineering changes are required to effectuate an alternate use, the Telephone Company will make such special arrangements a aiiabile on an individual case basis.

The arrangement required to transfer the service from one operation to the other (i.e., the transfer relay and control leads) will be rated and provided on an individual case basis and filed in Section 12., Specialized Service or Arrangements. The customer will pay the stated tariff rates for the Access Service rate elements for the service ordered (i.e., Channel Terminations, Channel Mileage [as applicable] and Optional Features (if any)).

7.1.5 Special Facilities Routing

A customer may request that the facilities used to provide Special Access Service be specially routed. The regulations, rates and charges for Special Facilities Routing (i.e., Avoidance, Diversity and Cable-Only) are set forth in 11. following.

Missouri Public  
Service Commission

FILED MAR 10 2000

ISSUED:  
february 9, 2000

Richard D. Lawson  
State Executive, External Affairs

EFFECTIVE:  
March 10, 2000



ACCESS SERVICE

SEP 17 1992

7. Special Access Service (Cont'd)

General (Cont'd)

7.1

7.1.3 Service Configurations (Cont'd)

(C) WATS Access Line Service (Cont'd)

Applicable rate elements for the WATS Access Line are:

- Channel Termination (1 Applicable)
- Channel Mileage (mileage band over 8 to 25 miles)
- Optional Features and Functions (when applicable)

In addition, a Special Access Surcharge, as set forth in 7.4.2, following, a Message Station Equipment Recover Charge as set forth in 7.4.3, following, and/or an Inside Wire Recovery Charge as set forth in 7.4.9, following may be applicable.

7.1.4 Alternate Use

Alternate Use occurs when a service is arranged by the Telephone Company so that the customer can select different types of transmission at different times. A customer may use a service in any privately beneficial manner. However, where technical or engineering changes are required to effectuate an alternate use, the Telephone Company will make such special arrangements available on an individual case basis.

The arrangement required to transfer the service from one operation to the other (i.e., the transfer relay and control leads) will be rated and provided on an individual case basis and filed in Section 12., Specialized Service or Arrangements. The customer will pay the stated tariff rates for the Access Service rate elements for the service ordered (i.e., Channel Terminations, Channel Mileage [as applicable] and Optional Features [if any]).

7.1.5 Special Facilities Routing

A customer may request that the facilities used to provide Special Access Service be specially routed. The regulations, rates and charges for Special Facilities Routing (i.e., Avoidance, Diversity and Cable-only) are set forth in 11. following.

**CANCELLED**

MAR 10 2000  
by I ;: IZP QJI--  
Public Service Commission  
MISSOURI

7 1992

i.J.: .. -.. 1

ISSUED:  
September 17, 1992

BY: John L Roe  
Vice President - Administration  
5454 West 110th Street  
Overland Park, Kansas 66211

EFFECTIVE:  
~~SEP 17 1992~~  
NOV 7 1992

SPRINT MISSOURI,INC.  
d/b/a SPRINT

Third Revised Page 293  
Cancels Second Revised Page 293

ACCESS SERVICE

MissouriPublic

7. Special Access Service (Cont'd)

REC'O JUL 02 2002

7.1 General (Cont'd)

Service Commission

7.1.6 Design Layout Report

At the request of the customer, the Telephone Company will provide to the customer the make-up of the facilities and services provided under this tariff as SpecialAccess Service to aid the customer in designing its overall service. This infonnation will be provided in the fOfm of a Design Layout Report. Tile Design Layout Report will be provided to the customer at no charge, and Will be reissued or updated whenever these facilities are materially changed.

7.1.7 Acceptance Testing

At no additional charge, the Telephone Company will, at the customer's request, cooperatively test, at the time of installation, the following parameters:

- (A) For Voice Grade analog services, acceptance tests will include tests for loss 3-tone slope, DC continuity, operational signaling, C-notched noise and C-message noise when these parameters are applicable and specified in the order for service. Additionally, for Voice Grade services, a balance (improved loss) test will be made if the customer has ordered the improved loss optionalfeature.
- (B) For other analog *services and* for digital services (i.e., Digital Data and High Capacity Service), acceptance tests will include tests for the parameters applicable to the service as specified in the order for service. (0)

In addition to the above tests, Additional Cooperative Acceptance Testing for Voice Grade Service to test other parameters, as described in 13.3.5(8) following, is available at the customer's request. All test will be made available to the customer upon request.

Missouri Public

FILED AUG 12 2002

Serv1ce Comrniss1ur 1

ISSUED:  
July 2,2002

Richard D.Lawson  
Stale Executive, External Affairs  
319 Madison  
Jefferson City, MO 65101

EFFECTIVE:



AUG 12Z00%

SPRINT MISSOURI, INC.  
d/b/a SPRINT

Second Revised Page 293  
Cancels First Revised Page 293

ACCESS SERVICE



7. Special Access Service (Cont'd)

REC'D FEB 09 2GJO

7.1 General (Cont'd)

7.1.6 Design Layout Report

At the request of the customer, the Telephone Company will provide to the customer the make-up of the facilities and services provided under this tariff as Special Access Service to aid the customer in designing its overall service. This information will be provided in the form of a Design Layout Report. The Design Layout Report will be provided to the customer at no charge, and will be reissued or updated whenever these facilities are materially changed.

7.1.7 Acceptance Testing

At no additional charge, the Telephone Company will, at the customer's request, cooperatively test, at the time of installation, the following parameters:

(A) For Voice Grade analog services, acceptance tests will include tests for loss 3-tone slope, DC continuity, operational signaling, C-notched noise and C-message noise when these parameters are applicable and specified in the order for service. Additionally, for Voice Grade services, a balance (improved loss) test will be made if the customer has ordered the improved loss optional feature.

(B) For other analog services (i.e., Program Audio, Video) and for digital services (i.e., Digital Data and High Capacity Service), acceptance tests will include tests for the parameters applicable to the service as specified in the order for service. (C)

C, t'\N'lt  
,r. \ '1 fl q.. MtJto.  
U- S I/ . ""  
11..C-&- ."  
£l.j\_...;" -  
- \ I

In addition to the above tests, Additional Cooperative Acceptance Testing for Voice Grade Service to test other parameters, as described in 13.3.5(B) following, is available at the customer's request. All test will be made available to the customer upon request.



FILED MAR 10 2000

SPRINT MISSOURI, INC.  
d/b/a SPRINT

First Revised Page 293  
Cancels Original Page 293

ACCESS SERVICE

Missouri Public  
Service Commission

7. Special Access Service (Cont'd)

REC'O St P 10 1999

7.1 General (Cont'd)

7.1.6 Design Layout Report

At the request of the customer, the Telephone Company will provide to the customer the make-up of the facilities and services provided under *this* tariff as Special Access Service to aid the customer in designing its overall service. This information will be provided in the form of a Design Layout Report. The Design Layout Report will be provided to the customer at no charge, and will be reissued or updated whenever these facilities are materially changed.

7.1.7 Acceptance Testing

At no additional charge, the Telephone Company will, at the customer's request, cooperatively test, at the time of installation, the following parameters:

(A) For Voice Grade analog services, acceptance tests will include tests for loss 3-tone slope, DC continuity, operational signaling, C-notched noise and C-message noise when these parameters are applicable and specified in the order for service. Additionally, for Voice Grade services, a balance (improved loss) test will be made if the customer has ordered the improved loss optional feature.

(B) For other analog services (i.e., Telegraph, Program Audio, Video) and for digital services (i.e., Digital Data and High Capacity Service), acceptance tests will include tests for the parameters applicable to the service as specified in the order for service. (C) (T)

In addition to the above tests, Additional Cooperative Acceptance Testing for Voice Grade Service to test other parameters, as described in 13.3.5(8) following, is available at the customer's request. 1 test will be made available to the customer upon request.

(D)

**CANCELLED**

MA 10 2000  
By J-h K1 )  
Public Service Commission; SJon  
MISSOURI

Missouri Public  
Service Commission

f-jjJ DC T 15 1999

ISSUED:  
September 10, 1999

Richard D. Lawson  
State Executive, External Affairs

EFFECTIVE

OCT 15 1999

ACCESS SERVICE

·n... ,  
J'

7. Special Access Service (Cont'd)

SEP 17 1992

7.1 General (Cont'd)

-----  
.....

7.1.6 Design Layout Report

At the request of the customer, the Telephone Company will provide to the customer the make-up of the facilities and services provided under this tariff as Special Access Service to aid the customer in designing its overall service. This information will be provided in the form of a Design Layout Report. The Design Layout Report will be provided to the customer at no charge, and will be reissued or updated whenever these facilities are materially changed.

7.1.7 Acceptance Testing

At no additional charge, the Telephone Company will, at the customer's request, cooperatively test, at the time of installation, the following parameters:

(A) For Voice Grade analog services, acceptance tests will include tests for loss 3-tone slope, DC continuity, operational signaling, C-notched noise and C-message noise when these parameters are applicable and specified in the order for service. Additionally, for Voice Grade services, a balance (improved loss) test will be made if the customer has ordered the improved loss optional feature.

**CANCELLED**

OCT 15 1999  
By ISFRS #293  
Public Service Commission  
MISSOURI

(B) For other analog services (i.e., Metallic, Telegraph, Program Audio, Video) and for digital services (i.e., United DigiLink, United TransLink, and other High Capacity Services), acceptance tests will include tests for the parameters applicable to the service as specified in the order for service.

In addition to the above tests, Additional Cooperative Acceptance Testing for Voice Grade Service to test other parameters, as described in 13.3.5(B) following, is available at the customer's request. All test will be made available to the customer upon request.

• Service mark of United Telecommunications, Inc.

1 QV " 1: "92

" : ' r •  
.....

ISSUED:  
September 17, 1992

BY: John L Roe  
Vice President - Administration  
5454 West 10th Street  
Overland Park, Kansas 66211

EFFECTIVE:  
3 " ~~.....~~  
HOV 7 1992

ACCESS SERVICE

7. Special Access Service (Cont'd)

7.1 General (Cont'd)

7.1.8 Ordering Options and Conditions

Special Access Service is ordered under the Access Order provisions set forth in 5. preceding. Also included in that section are other charges which may be associated with ordering Special Access Service (e.g., Service Date Change Charges, Cancellation Charges, etc.).

7.2 Service Descriptions

For the purposes of ordering, there are five categories of Special Access Service. These are:

Voice Grade (VG)  
Digital Data (DA)  
High Capacity (HC)

Each service consists of a basic channel to which a technical specifications package (customized or predefined), channel interface(s) and, when desired, optional features and functions are added to construct the service desired by the customer. Each of the components of the service is described in this section.

Customized technical specifications packages will be provided where technically feasible. If the Telephone Company determines that the requested parameter specifications are not compatible, the customer will be advised and given the opportunity to change the order.

When a customized channel is ordered the customer will be notified whether Additional Engineering Charges apply. In such cases, the customer will be given an estimate of the hours to be billed before any further action is taken on the order.

ISSUED:  
March 30, 2007

Mark D. Harper  
Director - State Regulatory  
5454 W. 110th Street  
Overland Park, Kansas 66211

EFFECTIVE:  
April 30, 2007

SPRINT MISSOURI, INC.  
d/b/a SPRINT

Fourth Revised Page 294  
Cancels Third Revised Page 294

MissouriPublic

ACCESS SERVICE

REC'O JUL 02 2002

Service Commission

7. Special Access Service (Cont'd)

7.1 General(Conl'd)

7.1.8 Orderins:LOptions and Conditions

SpecialAccess Service is ordered under the Access Order provisions set forth in 5. preceding. Also included in that section are other charges which may be associated with ordering Special Access Service (e.g., Service Date Change Charges, Cancellation Charges,etc.).

7.2 Service Descriptions

For the purposes of ordering, there are five categories of Special Access Service. These are:

Voice Grade (VG)

(D)

DigitalData (DA)

(D)

High Capacity (HC)

Each service consists of a basic channel to which a technical specifications package (customized or predefined), channel interface(s) and, when desired, optional features and functions are added to construct the service desired by the customer. Each of the components of the service is described in this section.

Customized technical specifications packages will be provided where technically feasible. If the Telephone Company determines that the requested parameter specifiCations are not compatible, the customer will be advised and given the opportunity to change the order.

When a customized channel is ordered the customer will be notified whether Additional Engineering Charges apply. In such cases. the customer will be given an estimate of the hours to be billed before any further action is taken 011 the order.

MissouriPublic

FILED AUG 12 2002

Service Commission

ISSUED:  
July 2, 2002

Richard D. lawson  
State Executive, External Affairs  
319 Madison  
Jefferson City, MO 65101

~~EFFEECTIVE:  
August 12, 2002~~

AUG 12.200t

SPRINT MISSOURI, INC.  
d/b/a/ SPRINT

Third Revised Page 294  
Cancels Second Revised Page 294

ACCESS SERVICE

Missouri Public  
Service Commission

7. Special Access Service (Cont'd)

REC'U FE: 2 0 9 2QJQ

7.1 General (Cont'd)

7.1.8 Ordering Options and Conditions

Special Access Service is ordered under the Access Order provisions set forth in 5. preceding. Also included in that section are other charges which may be associated with ordering Special Access Service {e.g., Service Date Change Charges, Cancellation Charges, etc.}.

7.2 Service Descriptions

For the purposes of ordering, there are five categories of Special Access Service. These are:

(C)

(D)

- Voice Grade (VG)
- Program Audio (AP)
- Video (TV)
- Digital Data (DA)
- High Capacity (HC)

Each service consists of a basic channel to which a technical specifications package (customized or predefined), channel interface(s) and, when desired, optional features and functions are added to construct the service desired by the customer. Each of the components of the service is described in this section.

Customized technical specifications packages will be provided where technically feasible. If the Telephone Company determines that the requested parameter specifications are not compatible, the customer will be advised and given the opportunity to change the order.

When a customized channel is ordered the customer will be notified whether Additional Engineering Charges apply. In such cases, the customer will be given an estimate of the hours to be billed before any further action is taken on the order.

**CANCELLED**

AUG 12 2002  
14 HRS 294  
Public Service Commission  
MISSOURI

Missouri Public  
Service Commission

FILED MAR 10 2000

ISSUED:  
February 9, 2000

Richard D. Lawson  
State Executive, External Affairs

EFFECTIVE:  
March 10, 2000



SPRINT MISSOURI, INC.  
d/b/a/ SPRINT

Second Revised Page 294  
Cancels First Revised Page 294

ACCESS SERVICE

7. Special Access Service {Cont'd}

Missouri Public  
Service Commission

7.1 General (Cont'd)

REC'D SEP 30 1999

7.1.8 Ordering Options and Conditions

Special Access Service is ordered under the Access Order provisions set forth in 5. preceding. Also included in that section are other charges which may be associated with ordering Special Access Service {e.g., Service Date Change Charges, Cancellation Charges, etc.}.

7.2 Service Descriptions

For the purposes of ordering, there are six categories of Special Access Service. These are: (C)

Telegraph Grade	(TG)	(D)
Voice Grade	(VG)	
Program Audio	(API)	
Video	(TV)	
<b>Digital Data</b>	<b>(IDA)</b>	(T)
High Capacity	(HC)	(T)
		<b>(D)</b>

Each service consists of a basic channel to which a technical specifications package (customized or predefined), channel interface(s) and, when desired, optional features and functions are added to construct the service desired by the customer. Each of the components of the service is described in this section.

Customized technical specifications packages will be provided where technically feasible. If the Telephone Company determines that the requested parameter specifications are not compatible, the customer will be advised and given the opportunity to change the order.

When a customized channel is ordered the customer will be notified whether Additional Engineering Charges apply. In such cases, the customer will be given an estimate of the hours to be billed before any further action is taken on the order.

(D)

**CANCELLED**

MAR 10 2000

By **3 ftf X**  
Public Service Commi. on  
MISSOURI

MISSOURI PUBLIC  
SERVICE COMMISSION

FILED OCT 15 1999

ISSUED:  
September 10, 1999

Richard D. Lawson  
State Executive, External Affairs

EFFECTIVE:  


OCT 15 1999

UNITED TELEPHONE COMPANY  
OF MISSOURI

First Revised Page 294  
Cancels Original Page 294

ACCESS SERVICE

RECEIVED

7. Special Access Service (Cont'd)

DEC 07 1995

7.1 General (Cont'd)

MISSOURI

7.1.8

Special Access Service Public

Service Commission

Special Access Service is ordered under the Access Order provisions set forth in 5. preceding. Also included in that section are other charges which may be associated with ordering Special Access Service (e.g., Service Date Change Charges, Cancellation Charges, etc.).

7.2 Service Descriptions

For the purposes of ordering, there are eight categories of Special Access Service. These are: (C)

- Metallic (MT)
- Telegraph Grade (TG)
- Voice Grade (VG)
- Program Audio (AP)
- Video (TV)
- United DigiLink!!!! (DA)
- United TransLink= (HC)
- High Capacity (HC)

CANCELLED

By: jqc {

Public Service Commission  
MISSOURI

Each service consists of a basic channel to which a technical specifications package (customized or predefined), channel interface(s) and, when desired, optional features and functions are added to construct the service desired by the customer. Each of the components of the service is described in this section.

Customized technical specifications packages will be provided where technically feasible. If the Telephone Company determines that the requested parameter specifications are not compatible, the customer will be advised and given the opportunity to change the order.

When a customized channel is ordered the customer will be notified whether Additional Engineering Charges apply. In such cases, the customer will be given an estimate of the hours to be billed before any further action is taken on the order.

Registered Service mark of United Telecommunications, Inc.

JUL - B1996

ISSUED:  
December 7, 1995

BY: John L. Roe  
Vice President - Carrier and Regulatory Services  
5454 West 110th Street  
Overland Park, Kansas 66211

MISSOURI  
Public Service Commission  
January 8, 1996

ACCESS SERVICE

7. Special Access Service (Cont'd)

7.1 General (Cont'd)

7.1.8 Ordering Options and Conditions

Special Access Service is ordered under the Access Order provisions set forth in 5. preceding. Also included in that section are other charges which may be associated with ordering Special Access Service (e.g., Service Date Change Charges, Cancellation Charges, etc.).

7.2 Service Descriptions

For the purposes of ordering, there are seven categories of Special Access Service. These are:

- Metallic (MT)
- Telegraph Grade (TG)
- Voice Grade (VG)
- Program Audio (AP)
- Video (TV)
- United DigiLink (DA)
- United TransLink (HC)
- High Capacity (HC)

CANCELLED  
 JAN 03 1992  
 BY ISRS #294  
 Public Service Commission  
 MISSOURI

Each service consists of a basic channel to which a technical specifications package (customized or predefined), channel interface(s) and, when desired, optional features and functions are added to construct the service desired by the customer. Each of the components of the service is described in this section.

Customized technical specifications packages will be provided where technically feasible. If the Telephone Company determines that the requested parameter specifications are not compatible, the customer will be advised and given the opportunity to change the order.

When a customized channel is ordered the customer will be notified whether Additional Engineering Charges apply. In such cases, the customer will be given an estimate of the hours to be billed before any further action is taken on the order.

• Registered Service mark of United Telecommunications, Inc.,

Overland, <sup>192</sup> Park, Kansas  
66211

ISSUED:  
September 17, 1992

BY: John L Roe  
Vice President - Administration  
5454 West 110th Street

100000

EFFECTIVE:  
SCHEIDT, W. & J.  
NOV 7 1992

## ACCESS SERVICE

## 7. Special Access Service (Cont'd)

7.2 Service Descriptions (Cont'd)

The channel description specifies the characteristics of the basic channel and indicates whether the channel is provided between customer designated premises, or is provided between a customer designated premises and a Telephone Company Hub where bridging or multiplexing functions are performed.

Information pertaining to the technical specifications packages indicates the transmission parameters that are available with each package. This information is displayed in a matrix with the transmission parameters listed down the left side and the packages listed across the top. Each package is identified by a code, e.g., VGC. The first two letters of the code indicate the category of Special Access Service to which the parameters are applicable. These two letter codes are shown above in parentheses following the category of Special Access Service. The letter C following the two letter code indicates the technical specifications package for a customized service. A numeric or alpha-numeric designation following the two letter code indicates the specific predefined package. For a customized service, the customer may select any parameters available with that category of service as long as the parameters are compatible. When appropriate, the Technical Reference which contains detailed specifications for the parameters is shown following the matrix.

Channel interfaces at each point of termination on a two-point service may be symmetrical or asymmetrical. On a multipoint service they may also be symmetrical or asymmetrical. However, communications can only be provided between points of termination with compatible channel interfaces. Only certain channel interfaces are compatible. These are set forth in 7.3.5 following in a combination format.

Only certain channel interface combinations are available with the predefined technical specifications packages. These are delineated in the Technical References set forth at the end of the 7.2. When a customized channel is requested, all channel interface combinations available with the specified type of service are available with the customized channel.

ISSUED:  
September 17, 1992

BY: John L Roe  
Vice President - Administration  
5454 West 110th Street  
Overland Park, Kansas 66211

EFFECTIVE:  
C18ieabwJ:HJ.\119

NOV 7 1992

ACCESS SERVICE

7. Special Access Service (Cont'd)

7.2 Service Descriptions (Cont'd)

The optional features and functions available with each type of Special Access Service are described in this section. The optional features and functions information also indicates with which technical specifications packages they are available. Such information is displayed in a matrix with the optional feature or function listed down the left side and the technical specifications package listed across the top.

The Telephone Company will maintain existing transmission specifications on services installed prior to the effective date of this tariff, except that the existing services with performance specifications exceeding the standard listed in this provision will be maintained at the performance levels specified in this tariff. All services installed after the effective date of this tariff will conform to the transmission specification standards contained in this tariff or in the following Technical Reference for each category of service:

Voice Grade	GR-3334 TR-NWT-000335 MDP-326-584
Digital Data	TR-NWT-000341 and MDP-326-726
High Capacity	GR-342 GR-54

7.2.1 Reserved for Future Use

ISSUED:  
March 30, 2007

Mark D. Harper  
Director - State Regulatory  
5454 W. 110th Street  
Overland Park, Kansas 66211

EFFECTIVE:  
April 30, 2007

SPRINT MISSOURI, INC.  
d/b/a SPRINT

Fourth Revised Page 296  
Cancels Third Revised Page 296

ACCESS SERVICE

MissouriPublic

7. Special Access SeNice (Cont'd)

REC'O JUL 02 2002

7.2 Service Descriptions (Cont'd)

The optional features and functions available with each type of service are described in this section. The optional features and functions information also indicates with which technical specifications packages they are available. Such information is displayed in a matrix with the optional feature or function listed down the left side and the technical specifications package listed across the top.

The Telephone Company will maintain existing transmission specifications on services installed prior to the effective date of this tariff, except that the existing services with performance specifications exceeding the standard listed in this provision will be maintained at the performance levels specified in this tariff. All services installed after the effective date of this tariff will conform to the transmission specification standards contained in this tariff or in the following Technical Reference for each category of service:

Voice Grade	GR-3334 TR-NWT-000335 MDP-326-584	(D)
Digital Data	TR-NWT-000341 and MDP-326-726	(D)
High Capacity	GR-342 GR-54	

7.2.1 Reserved For Future Use

MissouriPublic

FILED AUG 12 2002

Service Commission.

ISSUED:  
July 2, 2002

Richard D. Lawson  
State Executive, External Affairs  
319 Madison  
Jefferson City, MO 65101

EFFECTIVE:  
August 12, 2002

AUG 12 2002

SPRINT MISSOURI, INC.  
d/b/a SPRINT

Third Revised Page 296  
Cancels Second Revised Page 296

ACCESS SERVICE

Missouri Public

7. Special Access Service (Cont'd)

REC'D JAN 15 2002

7.2 Service Descriptions (Cont'd)

Service Commission

The optional features and functions available with each type of Special Access Service are described in this section. The optional features and functions information also indicates with which technical specifications packages they are available. Such information is displayed in a matrix with the optional feature or function listed down the left side and the technical specifications package listed across the top.

The Telephone Company will maintain existing transmission specifications on services installed prior to the effective date of this tariff, except that the existing services with performance specifications exceeding the standard listed in this provision will be maintained at the performance levels specified in this tariff. All services installed after the effective date of this tariff will conform to the transmission specification standards contained in this tariff or in the following Technical Reference for each category of **service**:

Voice Grade	GR-3334 TR-NWT-000335 MDP-326-584
Program Audio	GR-337
Video	GR-338
Digital Data	TR-NWT-000341 and MDP-326-726
High Capacity	GR-342 GR-54

(T)  
|  
(T)

7.2.1 Reserved For Future Use

**CANCELLED**  
AUG 12 2002  
By 4hrs 296  
Public Service Commission  
MISSOURI

Missouri Public

FILED FEB 15 2002

Service Commission

ISSUED:  
January 15, 2002

Richard D. Lawson  
State Executive, External Affairs  
319 Madison  
Jefferson City, MO 65101

EFFECTIVE:  
February 15, 2002



SPRINT MISSOURI, INC.  
d/b/a SPRINT

Second Revised Page 296  
Cancels First Revised Page 296



ACCESS SERVICE

7. Special Access Service (Cont'd)

REC'D F £8 0 9 Z000

7.2 Service Descriptions (Cont'd)

The optional features and functions available with each type of Special Access Service are described in this section. The optional features and functions information also indicates with which technical specifications packages they are available. Such information is displayed in a matrix with the optional feature or function listed down the left side and the technical specifications package listed across the top.

The Telephone Company will maintain existing transmission specifications on services installed prior to the effective date of this tariff, except that the existing services with performance specifications exceeding the standard listed in this provision will be maintained at the performance levels specified in this tariff. All services installed after the effective date of this tariff will conform to the transmission specification standards contained in this tariff or in the following Technical Reference for each category of service:

(D)

Voice Grade	TR-NPL-000334
	TR-NPL-000335
	PUB 41001, Table 4
Program Audio	TR-NPL-000337
Video	TR-NPL-000338
Digital Data	PUB 62507 and associated Addendum
	PUB 62310
High Capacity	PUB 62508
	PUB 62411

7.2.1 Reserved For Future Use

CANCaL !!

FEB 15 2002

b.t 314 (k\_p a '10  
> u :c...ca Cmpn "" ion  
MISSOURI ..



FILED MAR 10 2000

ISSUED:  
February 9, 2000

Richard D. Lawson  
State Executive, External Affairs

EFFECTIVE:  
March 10, 2000

SPRINT MISSOURI, INC.  
d/b/a SPRINT

First Revised Page 296  
Cancels Original Page 296

ACCESS SERVICE

Missouri Public  
Service Commission

7. Special Access Service (Cont'd)

REC'D SE.) 1. '1999

7.2 Service Descriptions (Cont'd)

The optional features and functions available with each type of Special Access Service are described in this section. The optional features and functions information also indicates with which technical specifications packages they are available. Such information is displayed in a matrix with the optional feature or function listed down the left side and the technical specifications package listed across the top.

The Telephone Company will maintain existing transmission specifications on services installed prior to the effective date of this tariff, except that the existing services with performance specifications exceeding the standard listed in this provision will be maintained at the performance levels specified in this tariff. All services installed after the effective date of this tariff will conform to the transmission specification standards contained in this tariff or in the following Technical Reference for each category of service:

Telegraph Grade	TR-NPL-000336	(D)
Voice Grade	TR-NPL-000334	
	TR-NPL-000335	
	PUB 41001, Table 4	
Program Audio	TR-NPL-000337	
Video	TR-NPL-000338	
Digital Data	PUB 62507 and associated Addendum	(T)
	PUB 62310	
High Capacity	PUB 62508	(T)
	PUB 62411	
		(D)
		(D)

7.2.1 Reserved For Future Use

(C)

(D)

**CANCELLED**

M.LI 1.0 2000  
By .1( \_..!ZP /")qlf  
Public Service Co mission  
MISSOURI

Missouri Public  
Service Commission (D)

FILED OCT 15 1999 (D)

ISSUED:  
September 10, 1999

Richard D. Lawson  
State Executive, External Affairs

EFFECTIVE: [REDACTED]

OCT 15 1999

UNITED TELEPHONE COMPANY  
OF MISSOURI

Original Page 296

ACCESS SERVICE

SEP 17 1992

7. Special Access Service (Cont'd)

7.2 Service Descriptions (Cont'd)

The optional features and functions available with each type of Special Access Service are described in this section. The optional features and functions information also indicates with which technical specifications packages they are available. Such information is displayed in a matrix with the optional feature or function listed down the left side and the technical specifications package listed across the top.

The Telephone Company will maintain existing transmission specifications on services installed prior to the effective date of this tariff, except that the existing services with performance specifications exceeding the standard listed in this provision will be maintained at the performance levels specified in this tariff. All services installed after the effective date of this tariff will conform to the transmission specification standards contained in this tariff or in the following Technical Reference for each category of service:

Metallic	TR-NPL-0.00336
Telegraph Grade	TR-NPL-000336
Voice Grade	TR-NPL-000334
	TR-NPL-000335
	PUB 41001, Table 4
Program Audio	TR-NPL-000337
Video	TR-NPL-000338
United DigiLink•	PUB 62507 and associated Addendum
	PUB 62310
United TransLink•	PUB 62508
	PUB 62411
High Capacity	PUB 62508
	PUB 62411

**CANCELLED**

OCT 15 1999

By \Qt S\$01-Cf(q .  
Public Service Commission  
MISSOURI

7.2.1 Metallic Service

(A) Basic Channel Description

A Metallic is an unconditioned two-wire channel capable of transmitting low speed varying signals at rates up to 30 baud. This channel is provided by metallic or equivalent facilities. Metallic channels are provided between customer designated premises or between a customer designated premises and a Telephone Company Hub where bridging functions are performed. Interoffice metallic facilities will be limited in length to a total of five miles per Channel.

NOV 7 1992

• Service mark of United Telecommunications, Inc.

ISSUED:  
September 17, 1992

BY: John L Roe  
Vice President - Administration  
5454 West 110th Street  
Overland Park, Kansas 66211

EFFECTIVE:  
~~September 17, 1992~~  
NOV 7 1992

SPRINT MISSOURI, INC.  
d/b/a SPRINT

First Revised Page 297  
Cancels Original Page 297

ACCESS SERVICE

7. Special Access Service (Cont'd)

7.2 Service Descriptions (Cont'd)

7.2.1 Reserved For Future Use (Cont'd)

APPROXIMATELY 1999

(C)

(O)

(D)

ISSUED:  
September 10, 1999

Richard D. Lawson  
State Executive, External Affairs

EFFECTIVE:



OCT 15 1999

UNITED TELEPHONE COMPANY  
OF MISSOURI

Original Page 297

ACCESS SERVICE

SEP 17 1992

7. Special Access Service (Cont'd)

7.2 Service Descriptions (Cont'd)

7.2.1 Metallic Service (Cont'd)

(B) Technical Specifications Packages

Parameter	Package MT-		
	Q*	I.	.1
DC Resistance			
Between Conductors	X	X	X
Loop Resistance	X		X
shunt Capacitance	X		X

The technical specifications are delineated in Technical Reference TR-NPL-000333.

(C) Channel Interfaces

Compatible channel interfaces are set forth in 7,3.5(A) following.

\*All parameters are available within the ranges selected by the customer where technically feasible.

**CANCELLED**

OCT 15 1999  
by 1st 28#297  
Public Service Commission  
MISSOURI

NOV 7 1992

ISSUED:  
September 17, 1992

BY: John L Roe  
Vice President - Administration  
5454 West 110th Street  
Overland Park, Kansas 66211

EFFECTIVE:  
~~XXXXXXXXXX~~  
NOV 7 1992

SPRINT MISSOURI, INC.  
d/b/a SPRINT

Second Revised Page 298  
Cancels first Revised Page 298

ACCESS SERVICE

Missouri Public  
Service Commission

REFER 04 JUL 0

7. Special Access Service {Cont'd}

7.2 Service Descriptions (Cont'd)

7.2.1 Reserved For Future Use (Cont'd)

7.2.2 Reserved For Future Use

(C)

(D)

(0)

Missouri Public  
Service Commission

FILED MAR 10 2000

ISSUED:  
February 9, 2000

Richard D. Lawson  
State Executive, External Affairs

EFFECTIVE:  
March 10, 2000

SPRINT MISSOURI, INC.  
d/b/a SPRINT

First Revised page 298  
Cancels Original Page 298

ACCESS SERVICE

7. Special Access Service (Cont'd)

7.2 Service Descriptions (Cont'd)

7.2.1 Reserved For Future Use (Cont'd)

Missouri Public  
Service Commission

REC'D SUJ 1a 1999(c)

(D)

7.2.2 Tel\_egraph Grade Service

(A) Basic Channel Description

A Telegraph Grade channel is an unconditioned channel capable of transmitting binary signals at rates of 0-75 baud or 0-150 baud. This channel is furnished for **half-duplex or duplex operation.** Telegraph channels are provided between customer designated premises or between a customer designated premises or between a customer designated premises and a Telephone Company Hub.

(D)

**CANCELLED**

MAR 10 2000  
& J110r RP 221  
Public Service Commission  
MISSOURI

Missouri Public  
Service Commission

FILED J: 1999

ISSUED:  
Septernbec 10, 1999

Richard D. Lawson  
State Executive, External Affairs

M&PiiiiUWM

OCT 15 1999

ACCESS SERVICE

7. Special Access Service (Cont'd)

7.2 Service Descriptions (Cont'd)

7.2.1 Metallic Service (Cont'd)

(D) Optional Features and Functions

(1) Central Office Bridging Capability

- (a) Three Premises Bridging - Provision of tip-to-tip and ring-to-ring connection in a central office of a metallic pair to a third customer designated premises.
- (b) Series Bridging of up to 26 customer designated premises.

The following table shows the technical specifications packages with which the optional features and functions are available.

	Available with Technical Specifications Package MT-		
	1	1	
Three Premises Bridging	X		X
Series Bridging	X		X

**CANCELLED**

7.2.2 Telegraph Grade Service

(A) Basic Channel Description

A Telegraph Grade channel is an unconditioned channel capable of transmitting binary signals at rates of 0-75 baud or 0-150 baud. This channel is furnished for half-duplex or duplex operation. Telegraph channels are provided between customer designated premises or between a customer designated premises or between a customer designated premises and a Telephone Company Hub.

ocr 1s 1999  
1\_pC1'6  
PuJi sl Jy c o W miSSION

32.

ISSUED:  
September 17, 1992

BY: John L Roe  
Vice President - Administration  
5454 West 10th Street  
Overland Park, Kansas 66211

EFFECTIVE:  
118M'fitJa\* 1-ti:Me  
NOV 7 1992



ACCESS SERVICE

7. Special Access Service (Cont'd)

7.2 Service Descriptions (Cont'd)

7.2.2 Reserved for Future Use (Cont'd)

7.2.3 Voice Grade Service

(A) Basic Channel Description

A Voice Grade channel is a channel which provides voice frequency transmission capability in the nominal frequency range of 300 to 3000 Hz and may be terminated two-wire or four-wire. Voice Grade channels are provided between customer designated premises or between a customer designated premises and a Telephone Hub.

ISSUED:  
March 30, 2007

Mark D. Harper  
Director - State Regulatory  
5454 W. 110th Street  
Overland Park, Kansas 66211

EFFECTIVE:  
April 30, 2007

CANCELLED  
November 1, 2021  
Missouri Public  
Service Commission  
JI-2022-0069

**Filed**  
Missouri Public  
Service Commission

SPRINT MISSOURI, INC.  
d/b/a SPRINT

First Revised Page 299  
Cancels Original Page 299

**M; i' i G=; ;c;**  
...< ...> ,0

ACCESS SERVICE

REC'D FEB 09 2000

7. Special Access Service (Cont'd)

7.2 Service Descriptions (Cont'd)

7.2.2 Reserved For Future Use (Cont'd)

(C)

(D)

(D)

7.2.3 Voice Grade Service

(A) Basic Channel Description

A Voice Grade channel is a channel which provides voice frequency transmission capability in the nominal frequency range of 300 to 3000 Hz and may be terminated two-wire or four-wire. Voice Grade channels are provided between customer designated premises or between a customer designated premises and a Telephone Hub.

(D)

(D)

Missouri Public  
Service Commission

FILED MAR 10 2000

ISSUED:  
february 9, 2000

Richard D. Lawson  
State Executive, External Affairs

EFFECTIVE:  
t-march 10, 2000

UNITED TELEPHONE COMPANY  
OF MISSOURI

Original Page 299

ACCESS SERVICE

7. Special Access Service (Cont'd)

SEP 17 1992

7.2 Service Descriptions (Cont'd)

7.2.2 Telegraph Grade Service (Cont'd)

(B) Technical Specifications Packages

Parameter	<u>Package TG-</u>		
	<u>£!</u>	<u>!.</u>	<u>!</u>
Telegraph Distortion	X	X	X

The technical specifications are delineated in Technical Reference TR-NPL-000336

(C) Channel Interfaces

Compatible channel interfaces are set forth in 7.3.5(8) following.

(D) Optional Features and Functions

(1) Telegraph Bridging (two-wire and four-wire)

The following table shows the technical specifications packages with which the optional features and functions are available.

Telegraph Bridging	<u>Available with Technical Specifications Package TG-</u>		
	<u>£</u>	<u>!.</u>	<u>!</u>
	X	X	X

7.2.3 Voice Grade Service

**CANCELLED**

(A) Basic Channel Description

A Voice Grade channel is a channel which provides voice frequency transmission capability in the nominal frequency range of 300 to 3000 Hz and may be terminated two-wire or four-wire. Voice Grade channels are provided between customer designated premises or between a customer designated premises and a Telephone Hub.

\*All parameters are available within the ranges selected by the customer where technically feasible.

t:OV ?-.92

i..1.;

. J.

MAR 10 2000  
By *st flp ;z*  
Public Service Commission  
MISSOURI

ISSUED:  
September 17, 1992

BY: John L Roe  
Vice President - Administration  
5454 West 110th Street  
Overland Park, Kansas 66211

EFFECTIVE:  
'OA'tm• i-7,'PI9g!'tc  
NOV 7 1992

ACCESS SERVICE

7. Special Access Service (Cont'd)

7.2 Service Descriptions (Cont'd)

7.2.2 Voice Grade Service (Cont'd)

(B) Technical Specifications Packages (Cont'd)

Parameter	Package VG-												
	C*	1	2	3	4	5	6	7	8	9	10	11	12
Attenuation													
Distortion	X	X	X	X	X	X	X	X	X	X	X	X	X
C-Message Noise	X	X	X	X	X	X	X	X	X	X	X	X	X
Echo Control	X	X	X	X		X		X	X			X	X
Envelope Delay													
Distortion	X						X	X	X	X	X	X	X
Frequency Shift	X						X	X	X	X	X	X	X
Impulse Noise	X					X	X	X	X	X	X	X	X
Intermodulation													
Distortion	X						X	X	X	X	X	X	
Loss Deviation	X	X	X	X	X	X	X	X	X	X	X	X	X
Phase Hits, Gain													
Hits, and													
Dropouts	X												
Phase Jitter	X						X	X	X	X	X	X	
Signal-to-C													
Message Noise					X								
Signal-to-C													
Notch Noise	X					X	X	X	X	X	X	X	X

\* The desired parameters are selected by the customer from the list of available parameters.

ISSUED:  
March 30, 2007

Mark D. Harper  
Director - State Regulatory  
5454 W. 110th Street  
Overland Park, Kansas 66211

EFFECTIVE:  
April 30, 2007

CANCELLED  
November 1, 2021  
Missouri Public  
Service Commission  
JI-2022-0069

**Filed**  
Missouri Public  
Service Commission

ACCESS SERVICE

7. Special Access Service (Cont'd)

7.2 Service Descriptions (Cont'd)

7.2.2 Voice Grade Service (Cont'd)

(B) Technical Specifications Packages (Cont'd)

Parameter	Package VG-												
	1,*	1	1	2	■	1	§	2	!Q	■	■	12	
Attenuation													
Distortion	X	X	X	X	X	X	X	X	X	X	X	X	X
C-Message Noise	X	X	X	X	X	X	X	X	X	X	X	X	X
Echo control	X	X	X	X		X		X	X			X	X
Envelope Delay													
Distortion	X						X	X	X	X	X	X	X
Frequency Shift	X						X	X	X	X	X	X	X
Impulse Noise	X					X	X	X	X	X	X	X	X
Intermodulation													
Distortion	X						X	X	X	X	X	X	X
Loss Deviation	X	X	X	X	X	X	X	X	X	X	X	X	X
Phase Hits, Gain													
Hits, and													
Dropouts	X												
Phase Jitter	X						X	X	X	X	X	X	X
Signal-to-e													
Message Noise					X								
Signal-to-e													
Notch Noise	X					X	X	X	X	X	X	X	X

\* The desired parameters are selected by the customer from the list of available parameters.

ISSUED:  
September 17, 1992

BY: John L Roe  
Vice President - Administration  
5454 West 110th Street  
Overland Park, Kansas 66211

EFFECTIVE:  
November 7, 1992

NOV 7 1992

ACCESS SERVICE

7. Special Access Service (Cont'd)

7.2 Service Descriptions (Cont'd)

7.2.3 Voice Grade Service (Cont'd)

(B) Technical Specifications Packages (Cont'd)

The technical specifications for these parameters (except for dropouts, gain hits, and phase hits) are delineated in Technical Reference Publication TR-NWT-000335. The technical specifications for dropouts, phase hits, and gain hits are delineated in Technical Reference Publication MDP-326-584.

(C) Channel Interfaces

The following channel interfaces for Voice Grade service do not require signaling capability: AH, DA, DB, DD, DE, DS, NO, PR and TF.

The following channel interfaces for Voice Grade service require signaling capability: AB, AC, CT, DX, DY, EA, EB, EC, EX, GO, GS, LA, LB, LC, LO, LR, LS, RV and SF.

Compatible channel interfaces are set forth in 7.3.5(C) following.

ISSUED:  
March 30, 2007

Mark D. Harper  
Director - State Regulatory  
5454 W. 110th Street  
Overland Park, Kansas 66211

EFFECTIVE:  
April 30, 2007

CANCELLED  
November 1, 2021  
Missouri Public  
Service Commission  
JI-2022-0069

**Filed**  
Missouri Public  
Service Commission

SPRINT MISSOURI, INC.  
d/b/a SPRINT

First Revised Page 301  
Cancels OriginalPage 301

ACCESS SERVICE

Missouri Public

REC'D JAN 15 2002

7. Special Access Service (Cont'd)

Service Commission

7.2 Service Descriptions (Cont'd)

7.2.3 Voice Grade Service (Cont'd)

(B) Technical Specifications Packages (Cont'd)

The technical specifications for these parameters (except for dropouts, gain hits, and phase hits) are delineated in TechnicalReference *Publication TR-NWT-000335*. The technical specifications for dropouts, phase hits, and gain hits are delineated in Technical Reference *Publicat;on MDP-326-584*.

(T)  
|  
(T)

(C) ChannelInterfaces

The following channelinterfaces for Voice Grade service do not require signaling capability: AH,OA, DB, DO,DE, OS, NO,PR and TF.

The following channel interfaces for Voice Grade service require signaling capability: AB. AC, CT, OX, DY, EA.EB, EC, EX, GO,GS, LA, LB.LC, LO, LR,LS, RV and SF.

Compatible channelinterfaces are set forth in 7.3.S(C) following.

Missouri Public

FILED FEB 15 2002

Service Commission

ISSUED:  
January 15, 2002

Richard D. lawson  
State Executive, External Affairs  
319 Madison  
Jefferson City, MO 65101

EFFECTIVE:  
February 15, 2002

ACCESS SERVICE

7. Special Access Service (Cont'd)

7.2 Service Descriptions (Cont'd)

7.2.3 Voice Grade Service (Cont'd)

(B) Technical Specifications Packages (Cont'd)

The technical specifications for these parameters (except for dropouts, gain hits, and phase hits) are delineated in Technical Reference TR-NPL-000335. The technical specifications for dropouts, phase hits, and gain hits are delineated in Technical Reference PUB 41004, Table 4.

(C) Channel Interfaces

The following channel interfaces for Voice Grade service do not require signaling capability: AH, DA, DB, DD, DE, DS, NO, PR and TF.

The following channel interfaces for Voice Grade service require signaling capability: AB, AC, CT, DX, DY, EA, EB, EC, EX, GO, GS, LA, LB, LC, LO, LR, LS, RV and SF.

Compatible channel interfaces are set forth in 7.3.5(C) following.

**CANC8J J;!!**

FEB 15 2002

11V **IZP 301**  
Put:re Serv.r.e Comrrr.s::lon  
**MISSOURI**

ISSUED:  
September 17, 1992

BY: John L Roe  
Vice President - Administration  
5454 West 110th Street  
Overland Park, Kansas 66211

EFFECTIVE:  
NOV 7 1992



ACCESS SERVICE

7. Special Access Service (Cont'd)

7.2 Service Descriptions (Cont'd)

7.2.3 Voice Grade Service (Cont'd)

(D) Optional Features and Functions

(1) Central Office Bridging Capability

- (a) Voice Bridging (two-wire or four-wire)
- (b) Data Bridging (two-wire or four-wire)
- (c) Telephoto Bridging (two-wire or four-wire)
- (d) DATAPHONE Select-A-Station bridging with sequential arrangement ports or addressable arrangement ports
- (e) Telemetry and Alarm Bridging
  - Split Band, Active Bridging
  - Passive Bridging
  - Summation, active Bridging

(2) Reserved for Future Use

ISSUED:  
March 30, 2007

Mark D. Harper  
Director - State Regulatory  
5454 W. 110th Street  
Overland Park, Kansas 66211

EFFECTIVE:  
April 30, 2007

CANCELLED  
November 1, 2021  
Missouri Public  
Service Commission  
JI-2022-0069

**Filed**  
Missouri Public  
Service Commission

SPRINT MISSOURI, INC.  
d/b/a SPRINT

First Revised Page 302  
Cancels Original Page 302

.1\ACCESS SERVICE

**Missouri Public  
Service Commission**

7. Special Access Service (Cont'd)

**REC'D FEB 09 2110**

7.2 Service Descriptions (Cont'd)

7.2.3 Voice Grade Service (Cont'd)

(D) Optional Features and Functions

(1) Central Office Bridging Capability

(a) Voice Bridging (two-wire or four-wire)

(b) Data Bridging (two-wire or four-wire)

(c) Telephoto Bridging (two-wire or four-wire)

{d) DATAPHONE Select-A-Station bridging with  
sequential arrangement ports *or* addressable  
arrangement ports

{e} Telemetry and Alarm Bridging

Split Band, Active Bridging  
Passive Bridging  
Summation, active Bridging

(2) Reserved For Future Use

(C)

(O)

(D)

**Missouri Public  
Service Commission**

**FILED MA10 2000**

ISSUED:  
February 9, 2000

Richard D. Lawson  
State Executive, External Affairs

EFFECTIVE:  
March 10, 2000

**Canceled**

April 30, 2007

Missouri Public  
Service Commission

ACCESS SERVICE

7. Special Access Service (Cont'd)

7.2 Service Descriptions (Cont'd)

7.2.3 Voice Grade Service (Cont'd)

(D) Optional Features and Functions

(1) Central Office Bridging Capability

- (a) Voice Bridging (two-wire or four-wire)
- (b) Data Bridging (two-wire or four-wire)
- (c) Telephoto Bridging (two-wire or four-wire)
- (d) DATAPHONE Select-A-Station bridging with sequential arrangement ports or addressable arrangement ports
- (e) Telemetry and Alarm Bridging

Split Band, Active Bridging  
Passive Bridging  
Summation, active Bridging

(2) Central Office Multiplexing

Voice to Telegraph Grade: An arrangement that converts a Voice Grade channel to Telegraph Grade channel using frequency division multiplexing.

**CANCELLED**

MAR 10 2000

By **IS:t; f3c**  
**Public Service Commission**  
**MISSOURI**

SEP 7 1992

I.J.

ISSUED:  
September 17, 1992

BY: John L. Roe  
Vice President - Administration  
5454 West 110th Street  
Overland Park, Kansas 66211

EFFECTIVE:  
~~October 17, 1992~~  
NOV 7 1992

ACCESS SERVICE

7. Special Access Service (Cont'd)

7.2 Service Descriptions (Cont'd)

7.2.3 Voice Grade Service (Cont'd)

(D) Optional Features and Functions (Cont'd)

(3) Conditioning

Conditioning provides more specific transmission characteristics for Voice Grade services.

More stringent specifications than those provided with C-Type conditioning are available separately for attenuation distortion and envelope delay distortion. The customer has the option of ordering Improved Attenuation Distortion and/or Improved Envelope Delay Distortion in lieu of C-Type conditioning.

(Z)

For two-point services, the parameters apply to each service. For multipoint services, the parameters apply to each mid link or end link. C-Type conditioning and Data Capability may be combined on the same service.

ISSUED:  
March 30, 2007

Mark D. Harper  
Director - State Regulatory  
5454 W. 110th Street  
Overland Park, Kansas 66211

EFFECTIVE:  
April 30, 2007

CANCELLED  
November 1, 2021  
Missouri Public  
Service Commission  
JI-2022-0069

**Filed**  
Missouri Public  
Service Commission

SPRINT MISSOURI, INC.  
d/b/a SPRINT

first Revised Page 303  
Cancels Original Page 303

ACCESS SERVICE

7. Special Access Service (Cont'd)

7.2 Service Descriptions (Cont'd)

7.2.3 Voice Grade Service (Cont'd)

(D) Optional Features and functions (Cont'd)

(3) Conditioning

Conditioning provides more specific transmission characteristics for Voice Grade services.

(C)

More stringent specifications than those provided with C-Type conditioning are available separately for attenuation distortion and envelope delay distortion. The customer has the option of ordering Improved Attenuation Distortion and/or Improved Envelope Delay Distortion in lieu of C-Type conditioning.

(C)

For two-point services, the parameters apply to each service. For multipoint services, the parameters apply to each mid link or end link. C-Type conditioning and Data Capability may be combined on the same service.

MISSOURI  
RfC'P  
OCT 10 1999

ISSUED:  
September 10, 1999

Richard D. Lawson  
State Executive, External Affairs

EFFECTIVE:  
October 11, 1999

UNITED TELEPHONE COMPANY  
OF MISSOURI

Original Page 303

ACCESS SERVICE

SEP 17 1992

7. Special Access Service (Cont'd)

SEP 17 1992

7.2 Service Descriptions (Cont'd)

MO. PUBLIC SERVICE COM. 1992

7.2.3 Voice Grade Service (Cont'd)

(D) Optional Features and Functions (Cont'd)

(3) Conditioning

Conditioning provides more specific transmission characteristics for Voice Grade services. C-Type conditioning controls attenuation distortion and envelope delay distortion. Sealing Current helps maintain continuity on dry metallic loops.

For two-point services, the parameters apply to each service. For multipoint services, the parameters apply to each mid link or end link. C-Type conditioning and Data Capability may be combined on the same service.

**CANCELLED**

OCT 15 1992

Public Service Commission  
Missouri  
St. Joseph

NOV 7 1992

NOV 7 1992

MO. PUBLIC SERVICE COM. 1992

ISSUED:  
September 17, 1992

BY: John L Roe  
Vice President - Administration  
5454 West 110th Street  
Overland Park, Kansas 66211

EFFECTIVE:

~~October 17, 1992~~

NOV 7

ACCESS SERVICE

7. Special Access Service (Cont'd)

7.2 Service Descriptions (Cont'd)

7.2.3 Voice Grade Service (Cont'd)

(D) Optional Features and Functions (Cont'd)

(3) Conditioning (Cont'd)

(a) C-Type Conditioning

C-Type Conditioning is provided for the additional control of attenuation distortion and envelope delay distortion on data services. The attenuation distortion and envelope delay distortion specifications for C-Type Conditioning are:

Attenuation Distortion  
(Frequency Response)  
Relative to 1004 Hz

<u>Frequency Range (Hz)</u>	<u>Variation (db)</u>
400-2800	-1.0 to +2.0
300-3000	-1.0 to +3.0
3000-3200	-2.0 to +6.0

Envelope Delay Distortion

<u>Frequency Range (Hz)</u>	<u>Variation (micro-seconds)</u>
1000-2600	100
800-2600	200
600-2600	300
500-2800	600
500-3000	3000

ISSUED:  
March 30, 2007

Mark D. Harper  
Director - State Regulatory  
5454 W. 110th Street  
Overland Park, Kansas 66211

EFFECTIVE:  
April 30, 2007

CANCELLED  
November 1, 2021  
Missouri Public  
Service Commission  
JI-2022-0069

**Filed**  
Missouri Public  
Service Commission

ACCESS SERVICE

7. Special Access Service (Cont'd)

7.2 Service Descriptions (Cont'd)

7.2.3 Voice Grade Service (Cont'd)

(D) Optional Features and Functions (Cont'd)

(3) Conditioning (Cont'd)

(a) C-Type Conditioning

C-Type Conditioning is provided for the additional control of attenuation distortion and envelope delay distortion on data services. The attenuation distortion and envelope delay distortion specifications for C-Type Conditioning are:

Attenuation Distortion  
(Frequency Response)  
Relative to 1004 Hz

Frequency Range (Hz)	Variation (db)
400-2800	-1.0 to +2.0
300-3000	-1.0 to +3.0
3000-3200	-2.0 to +6.0

Envelope Delay Distortion

Frequency Range (Hz)	Variation (micro-seconds)
1000-2600	100
800-2600	200
600-2600	300
500-2800	600
500-3000	3000

SEP 17 1992

SEP 17 1992

SEP 17 1992

SEP 17 1992

SEP 17 1992

SEP 17 1992

ISSUED:  
September 17, 1992

BY: John L. Roe  
Vice President - Administration  
5454 West 110th Street  
Overland Park, Kansas 66211

EFFECTIVE:  
~~October 17, 1992~~

NOV 7 1992



ACCESS SERVICE

7. Special Access Service (Cont'd)

7.2 Service Descriptions (Cont'd)

7.2.3 Voice Grade Service (Cont'd)

(D) Optional Features and Functions (Cont'd)

(3) Conditioning (Cont'd)

(b) Reserved for Future Use

(c) Sealing Current Conditioning

Sealing Current Conditioning is provided to maintain continuity on dry metallic loops. It is usually associated with four-wire DA and NO type channel interfaces.

ISSUED:  
March 30, 2007

Mark D. Harper  
Director - State Regulatory  
5454 W. 110th Street  
Overland Park, Kansas 66211

EFFECTIVE:  
April 30, 2007

CANCELLED  
November 1, 2021  
Missouri Public  
Service Commission  
JI-2022-0069

**Filed**  
Missouri Public  
Service Commission

UNITED TELEPHONE COMPANY  
OF MISSOURI

Original Page 305

e

ACCESS SERVICE

SEP 1 ->

7. Special Access Service (Cont'd)

7.2 Service Descriptions (Cont'd)

7.2.3 Voice Grade Service (Cont'd)

{D) Optional Features and Functions (Cont'd)

(3) Conditioning (Cont'd)

(b) Reserved For Future Use

(c) Sealing Current Conditioning

Sealing Current Conditioning is provided to maintain continuity on dry metallic loops. It is usually associated with four-wire DA and NO type channel interfaces.

NOV 7 1992

ISSUED:  
September 17, 1992

BY: John L Roe  
Vice President - Administration  
5454 West 110th Street  
Overland Park, Kansas 66211

EFFECTIVE:  
'CJIM'Wil• W, J<098 a

NOV 7 1992

ACCESS SERVICE

7. Special Access Service (Cont'd)

7.2 Service Descriptions (Cont'd)

7.2.3 Voice Grade Service (Cont'd)

(D) Optional Features and Functions (Cont'd)

(4) Customer Specified Premises Receive Level

This option allows the customer to specify the receive level at the Point of Termination. This level must be within a specific range on effective four-wire transmission. The ranges are delineated in Technical Reference Publication TR-NWT-000335.

(5) Improved Return Loss

(a) On Effective Four-Wire Transmission at Four-Wire Point of Termination (applicable to each two-wire port): Provides for a fixed 600 ohm impedance, variable level range and simplex reversal. Telephone Company equipment is required at the customer's premises where this option is ordered. The Improved Return Loss parameters are delineated in Technical Reference Publication TR-NWT-000335.

(b) On Effective Two-Wire Transmission at Two-Wire Point of Termination: Provides for more stringent Echo Control Specifications. In order for this option to be applicable, the transmission path must be four-wire at one POT and two-wire at the other POT. Placement of Telephone Company equipment may be required at the customer's premises with the two-wire POT. The Improved Return Loss parameters are delineated in Technical Reference Publication TR-NWT-000335.

ISSUED:  
March 30, 2007

Mark D. Harper  
Director - State Regulatory  
5454 W. 110th Street  
Overland Park, Kansas 66211

EFFECTIVE:  
April 30, 2007

SPRINT MISSOURI, INC.  
d/b/a SPRINT

First Revised Page 306  
Cancels Original Page 306

ACCESS SERVICE

Missouri Public

7. Special Access Service (Cont'd)

REC'D JAN 15 2002

7.2 Service Descriptions (Cont'd)

Service Commission

7.2.3 Voice Grade Service (Cont'd)

(D) Optional Features and Functions (Cont'd)

(4) Customer Specified Premises Receive Level

This option allows the customer to specify the receive level at the Point of Termination. This level must be within a specific range on effective four-wire transmission. The ranges are delineated in Technical Reference *Publication TR-NWT-000335*.

(T)

(5) Improved Return Loss

(a) On Effective Four-Wire Transmission at Four-Wire Point of Termination (applicable to each two-wire port): Provides for a fixed 600 ohm impedance, variable level range and simplex reversal. Telephone Company equipment is required at the customer's premises where this option is ordered. The Improved Return Loss parameters are delineated in Technical Reference *Publication TR-NWT-000335*.

(T)

(T)

(b) On Effective Two-Wire Transmission at Two-Wire Point of Termination: Provides for more stringent Echo Control Specifications. In order for this option to be applicable, the transmission path must be four-wire at one POT and two-wire at the other POT. Placement of Telephone Company equipment may be required at the customer's premises with the two-wire POT. The Improved Return Loss parameters are delineated in Technical Reference *Publication TR-NWT-000335*.

(T)

Missouri Public

FILED FEB 15 2002

Service Commission

ISSUED:  
January 15, 2002

Richard D. Lawson  
State Executive, External Affairs  
319 Madison  
Jefferson City, MO 65101

EFFECTIVE:  
February 15, 2002

Cancelled  
April 30, 2007  
Missouri Public  
Service Commission

ACCESS SERVICE

SEP 17 1992

7. Special Access Service (Cont'd)

7.2 Service Descriptions (Cont'd)

7.2.3 Voice Grade Service (Cont'd)

(D) Optional Features and Functions (Cont'd)

(4) Customer Specified Premises Receive Level

This option allows the customer to specify the receive level at the Point of Termination. This level must be within a specific range on effective four-wire transmission. The ranges are delineated in Technical Reference TR-NPL-000335.

(5) Improved Return Loss

(a) On Effective Four-Wire Transmission at Four-Wire Point of Termination (applicable to each two-wire port): Provides for a fixed 600 ohm impedance, variable level range and simplex reversal. Telephone Company equipment is required at the customer's premises where this option is ordered. The Improved Return Loss parameters are delineated in Technical Reference TR-NPL-000335.

(b) On Effective Two-Wire Transmission at Two-Wire Point of Termination: Provides for more stringent Echo Control Specifications. In order for this option to be applicable, the transmission path must be four-wire at one POT and two-wire at the other POT. Placement of Telephone Company equipment may be required at the customer's premises with the two-wire POT. The Improved Return Loss parameters are delineated in Technical Reference TR-NPL-000335.

CANCELLED

FEB 15 2002  
Put-he...eMce CMli...I'an  
MISSOURI

gz

ISSUED:  
September 17, 1992

BY: John L Roe  
Vice President - Administration  
5454 West 110th Street  
Overland Park, Kansas 66211

EFFECTIVE:  
tdiS&Ei £JiP!h2

NOV 7 11W

ACCESS SERVICE

7. Special Access Service (Cont'd)

7.2 Service Descriptions (Cont'd)

7.2.3 Voice Grade Service (Cont'd)

(D) Optional Features and Functions (Cont'd)

(6) Data Capability

Data Capability provides transmission characteristics suitable for data communications. Specifically, Data Capability provides for the control of Signal to C-Notched Noise Ratio and intermodulation distortion. It is available for two-point services or multipoint services.

The Signal to C-Notched Noise Ratio and inter-modulation distortion parameters for Data Capability are:

- Signal to C-Notched Noise Ratio is equal to or greater than 32dB
- Intermodulation distortion:
  - Signal to second order modulation products (R2) is equal to or greater than 38dB
  - Signal to third order modulation products (R3) is equal to or greater than 42dB

When a service equipped with Data Capability is used for voice communications, the quality of the voice transmission may not be satisfactory.

ISSUED:  
March 30, 2007

Mark D. Harper  
Director - State Regulatory  
5454 W. 110th Street  
Overland Park, Kansas 66211

EFFECTIVE:  
April 30, 2007

ACCESS SERVICE

7. Special Access Service (Cont'd)

7.2 Service Descriptions (Cont'd)

7.2.3 Voice Grade Service (Cont'd)

(D) Optional Features and Functions (Cont'd)

(6) Data Capability

Data Capability provides transmission characteristics suitable for data communications. Specifically, Data Capability provides for the control of Signal to C-Notched Noise Ratio and intermodulation distortion. It is available for two-point services or multipoint services.

The Signal to C-Notched Noise Ratio and intermodulation distortion parameters for Data Capability are:

Signal to C-Notched Noise Ratio is equal to or greater than 32dB

Intermodulation distortion:

Signal to second order modulation products (R2) is equal to or greater than 38dB

Signal to third order modulation products (R3) is equal to or greater than 42dB

When a service equipped with Data Capability is used for voice communications, the quality of the voice transmission may not be satisfactory.

NOV 7 1992

ISSUED:  
September 17, 1992

BY: John L. Roe  
Vice President - Administration  
5454 West 110th Street  
Overland Park, Kansas 66211

EFFECTIVE:  
October 1, 1992

NOV 7 1992

ACCESS SERVICE

7. Special Access Service (Cont'd)

7.2 Service Descriptions (Cont'd)

7.2.3 Voice Grade Service (Cont'd)

(D) Optional Features and Functions (Cont'd)

(7) Telephoto Capability

Telephoto Capability provides transmission characteristics suitable for telephotographic communications. Specifically, Telephoto Capability is provided for the control of attenuation distortion and envelope delay distortion on telephotographic services. The attenuation distortion and envelope delay distortion parameters for Telephoto Capability are:

Attenuation Distortion  
(1004 Hz Reference)

<u>Frequency Range (Hz)</u>	<u>Variation (dB)</u>
500-3000	-0.5 to +1.5
300-3200	-1.0 to +2.5

Envelope Delay Distortion

<u>Frequency Range (Hz)</u>	<u>Variation (mcs)</u>
1000-2600	110
800-2800	180

(8) Signaling Capability

Signaling Capability provides for the process by which one customer premises alerts another customer premises on the same service with which it wishes to communicate.

(9) Reserved for Future Use

ISSUED:  
March 30, 2007

Mark D. Harper  
Director - State Regulatory  
5454 W. 110th Street  
Overland Park, Kansas 66211

EFFECTIVE:  
April 30, 2007



SPRINT MISSOURI, INC.  
d/b/a SPRINT

First Revised Page 308  
CancelOriginal Page 308

ACCESS SERVICE

RECEIVED

7. Special Access Service (Cont'd)

.11N 26 (091

7.2 Service Descriptions (Cont'd)

7.2.3 Voice Grade Service (Cont'd)

MISSOURI  
Public Service Commission

(D) Optional Features and Functions (Cont'd)

(7) Telephoto Capability

Telephoto Capability provides transmission characteristics suitable for telephotographic communications. Specifically, Telephoto Capability is provided for the control of attenuation distortion and envelope delay distortion on telephotographic services. The attenuation distortion and envelope delay distortion parameters for Telephoto Capability are:

Attenuation Distortion  
(1004 Hz Reference)

<u>Frequency Range (Hz)</u>	<u>Variation (dB)</u>
500-3000	-0.5 to +1.5
300-3200	-1.0 to +2.5

Envelope Delay Distortion

<u>Frequency Range (Hz)</u>	<u>Variation (mcs)</u>
1000-2600	110
800-2800	180

(8) Signaling Capability

Signaling Capability provides for the process by which one customer premises alerts another customer premises on the same service with which it wishes to communicate.

(9) *Reserved For Future Use*

FILED

{C}

(D)

(D)

FEB 26 2001

MISSOURI  
Public Service Commission

ISSUED:  
January 26, 2001

Richard D. Lawson  
State Executive, External Affairs  
319 Madison  
Jefferson City, MO 65 01

EFFECTIVE:  
February 26, 2001

ACCESS SERVICE

SEP 17 1992

7. Special Access Service (Cont'd)

7.2 Service Descriptions (Cont'd)

7.2.3 Voice Grade Service (Cont'd)

(D) Optional Features and Functions (Cont'd)

(7) Telephoto Capability

Telephoto Capability provides transmission characteristics suitable for telephotographic communications. Specifically, Telephoto Capability is provided for the control of attenuation distortion and envelope delay distortion on telephotographic services. The attenuation distortion and envelope delay distortion parameters for Telephoto Capability are:

Attenuation Distortion  
(1004 Hz Reference)

<u>Frequency Range CHz</u>	<u>Variation CdB</u>
500-3000	-0.5 to +1.5
300-3200	-1.0 to +2.5

Envelope Delay Distortion

<u>Frequency Range (Hz)</u>	<u>Variation (mcs)</u>
1000-2600	110
800-2800	180

**CANCELED**

FEB 26 2001  
u<sub>1</sub> t<sup>5</sup>Y IZP 50 Public  
Service Commission  
MISSOURI

(8) Signaling Capability

Signaling Capability provides for the process by which one customer premises alerts another customer premises on the same service with which it wishes to communicate.

(9) Selective Signaling Arrangement

An arrangement that permits code selective ringing for up to ten codes on a multipoint service.

7 1992

ISSUED:  
September 17, 1992

BY: John L Roe  
Vice President - Administration  
5454 West 110th Street  
Overland Park, Kansas 66211

EFFECTIVE:  
NOV 7 1992

SPRINT MISSOURI, INC =  
d/b/a SPRINT

first Revised Page 309  
Cancels Original Page 309

A.CCESS SERVICE

7. Special Access Service (Cont'd)

7.2 Service Descriptions (Cont'd)

I.2.3 Voice Grade Service (Cont'd)

(D) Optional features and Functions (Cont'd)

(10) Reserved for Future Use

(C)

(D)

(D)

REC'D  
4 1999

(rr)

ISSUED:  
September 10, 1999

Richard D. Lawson  
State Executive, External Affairs



ACCESS SERVICE

SEP 2 1992

7. Special Access Service (Cont'd)

SEP 2 1992

7.2 Service Descriptions (Cont'd)

7.2.3 Voice Grade Service (Cont'd)

(D) Optional Features and Functions (Cont'd)

(10) Transfer Arrangement

An arrangement that affords the customer an additional measure of flexibility in the use of their access channel(s). The arrangement can be utilized to transfer a leg of a Special Access Service to another channel that terminates in either the same or different customer premises. A key activated or dial-up control service is required to operate the transfer arrangement. A spare channel, if required, is not included as part of the option.

**CANCELLED**

Oct 15 1999 **q**

By **1** **ssion**  
Public **MISSOURI**

ICIV 7 1992

ISSUED:  
September 17, 1992

BY: John L. Roe  
Vice President - Administration  
5454 West 110th Street  
Overland Park, Kansas 66211

EFFECTIVE:  
NOV 7 1992

ACCESS SERVICE

7. Special Access Service (Cont'd)

7.2 Service Descriptions (Cont'd)

7.2.3 Voice Grade Service (Cont'd)

(D) Optional Features and Functions (Cont'd)

The following table shows the technical specifications packages with which the optional features and functions are available.

	Available with Technical Specifications Package VG-												
	<u>C</u>	<u>1</u>	<u>2</u>	<u>3</u>	<u>4</u>	<u>5</u>	<u>6</u>	<u>7</u>	<u>8</u>	<u>9</u>	<u>10</u>	<u>11</u>	<u>12</u>
C-Type Conditioning Central Office Bridging Capability	X					X	X	X	X	X	X		
Central Office Multiplexing	X		X			X	X				X	X	X
Customer Specified Premises Receive Level	X		X	X				X	X	X			
Data Capability Improved Return Loss: For Effective Four-Wire Transmission	X						X	X			X		
For Effective Two-Wire Transmission	X	X	X	X	X	X	X	X	X	X	X	X	X
Sealing Current Conditioning Signaling Capability	X								X				
Telephoto Capability	X	X	X	X				X	X	X			
	X											X	

ISSUED:  
March 30, 2007

Mark D. Harper  
Director - State Regulatory  
5454 W. 110th Street  
Overland Park, Kansas 66211

EFFECTIVE:  
April 30, 2007

SPRINT MISSOURI, INC.  
d/b/a SPRINT

Second Revised Page 310  
Cancels First Revised Page 310

ACCESS SERVICE

**RECEIVED**

7. Special Access Service (Cont'd)

JAN 26 2001

7.2 Service Descriptions (Cont'd)

MISSOURI  
Public Service Commission

7.2.3 Voice Grade Service (Cont'd)

(0) Optional Features and Functions (Cont'd)

The following table shows the technical specifications packages with which the optional features and functions are available.

	Available with Technical Specifications Package VG-												
	C	1	2	3	4	5	6	7	8	9	10	11	12
C-Type Conditioning	X					X	X	X	X	X	X		
Central Office Bridging													
Central Office Capability	X		X			X	X				X	X	X
Central Office Multiplexing	X						X						
Customer Specified Portmises Receive Level	X		X	X				X	X	X			
Data Capability Improved Return Loss:	X						X	X			X		
For Effective Four-Wire Transmission											X	X	X
For Effective Two-Wire Transmission										X			
Sealing Current Conditioning	X							X					
Signaling Capability	X	X	X	X				X	X	X			
Telephoto Capability	X												

(D)  
(D)

**FILED<sup>x</sup>**

rrt-B 2

2001.11

MISSOURI  
Public Service Commission

ISSUED:  
January 26, 2001

Richard D. Lawson  
Slate Executive, External Affairs  
319 Madison  
Jefferson City, MO 65101

EFFECTIVE:  
February 26, 2001



SPRINT MISSOURI, INC.  
d/b/a SPRINT

First Revised Page 310  
Cancels Original Page 310

ACCESS SERVICE

7. Special Access Service (Cont'd)

Missouri Public  
Service Commission

7.2 Service Descriptions (Cont'd)

REC'D St.!) 10 '1999

7.2.3 Voice Grade Service (Cont'd)

(D) Optional Features and Functions (Cont'd)

The following table shows the technical specifications packages with which the optional features and functions are available.

	1:\.vailable with Technical Specifications Package VG-												
	C	1	2	3	4	5	6	7	8	9	10	11	12
C-Type Conditioning	X					X	X	X	X	X	X		
Central Office Bridging Capability	X		X			X	X				X	X	X
Central Office Multiplexing	X						X						
Customer Specified Premises Receive Level	X		X	X				X	X	X			
Data Capability	X						X	X			X		
Improved Return Loss:													
For Effective Four-Wire Transmission	X	X	X	X	X	X	X	X	X	X	X	X	X
For Effective Two-Wire Transmission		X		X	X				X				
Sealing Current Conditioning	X						X						
Selective Signaling Arrangement	X		X										
Signaling Capability	X	X	X	X				X	X	X			
Telephoto Capability	X											X	

(D)

**CANCELLED**

FEB-26 2001  
B. J. FZ\_P 310  
Public Serv 1@.oiTHTL<'SIOh  
MISSOURI

Missouri Public  
Service Commission

FILED OCT 15 1999

ISSUED:  
September 10, 1999

Richard D. Lawson  
State Executive, External Affairs

EFFECTIVE:  
~~OCT 15 1999~~

OCT 15 1999



ACCESS SERVICE

7. Special Access Service (Cont'd)

7.2 Service Descriptions (Cont'd)

7.2.3 Voice Grade Service (Cont'd)

(D) Optional Features and Functions (Cont'd)

The following table shows the technical specifications packages with which the optional features and functions are available.

	Available with Technical Specifications Package VG-												
	<u>C</u>	<u>1</u>	<u>2</u>	<u>3</u>	<u>4</u>	<u>5</u>	<u>6</u>	<u>7</u>	<u>8</u>	<u>9</u>	<u>10</u>	<u>11</u>	<u>12</u>
C-Type Conditioning Central Office Bridging Capability	X					X	X	X	X	X	X		
Central Office Multiplexing	X						X					X	X
Customer Specified Premises Receive Level	X		X	X				X	X	X			
Data Capability Improved Return Loss:	X						X	X			X		
For Effective Four-Wire Transmission							X	X	X	X	X	X	X
For Effective Two-Wire Transmission		X		X	X				X				
Sealing Current Conditioning	X						X						
Selective Signaling Arrangement	X		X										
Signaling Capability	X	X	X	X				X	X	X			
Telephoto Capability	X												X
Transfer Arrangement							X	X	X	X	X	X	X

**CANCT:IED**

OCT 15 1999

By **Public Service Commstston**  
**MISSOURI**

1: v 7 1992

ISSUED:  
September 17, 1992

BY: John L Roe  
Vice President - Administration  
5454 West 110th Street  
Overland Park, Kansas 66211

EFFECTIVE:

NOV 7 1992

ACCESS SERVICE

7. Special Access Service (Cont'd)

7.2 Service Descriptions (Cont'd)

7.2.3 Voice Grade Service (Cont'd)

(E) Four-Wire/Two-Wire Conversions

(Z)

When a customer requests that an effective four-wire channel be terminated with a two-wire channel interface at the customer designated premises, a four-wire to two-wire conversion is required. The rate for the conversion is included as part of the basic Channel Termination rate.

7.2.4 Reserved for Future Use

(D)

ISSUED:  
March 30, 2007

Mark D. Harper  
Director - State Regulatory  
5454 W. 110th Street  
Overland Park, Kansas 66211

EFFECTIVE:  
April 30, 2007

CANCELLED  
November 1, 2021  
Missouri Public  
Service Commission  
JI-2022-0069

**Filed**  
Missouri Public  
Service Commission

SPRINT MISSOURI, INC.  
d/b/a SPRINT

Second Revised Page 311  
Cancels First Revised Page 311

ACCESS SERVICE

Missouri Public

7. Special Access Service (Conf'd)

RECTI JUL 02 2002

7.2 Service Descriptions (Cont'd)

Service Cemlssiot,

7.2.3 Voice Grade Service {Cont'd}

E. Four-Wire/Two-Wire Conversions

When a customer requests that an effective four-wire channel be terminated with a two-wire channel interface at the customer designated premises, a four-wire to two-wire conversion is required. The rate for the conversion is included as part of the basic Channel Termination rate.

7.2.4 Reserved for Future Use

{D}

(D)

Missouri Public

The desired parameters are selected by the customer from the list of available parameters.

FILED AUG 12 2002

Service Commisstol,

ISSUED:  
July 2, 2002

Richard D. Lawson  
State Executive, External Affairs  
319 Madison  
Jefferson City, MO 65101

~~EFFECTIVE:  
August 12, 2002~~

AUG 12 2002

SPRINT MISSOURI, INC.  
d/b/a SPRINT

First Revised Page 311  
Cancels Original Page 311

ACCESS SERVICE

Missouri Public

7. Special Access Service (Cont'd)

REC'D JAN 15 2002

7.2 Service Descriptions (Con'l'd)

Service Commission

7.2.3 Voice Grade Service (Con'l'd)

E. Four-Wire/Two-Wire Conversions

When a customer requests that an effective four-wire channel be terminated with a two-wire channel interface at the customer designated premises, a four-wire to two-wire conversion is required. The rate for the conversion is included as part of the basic Channel Termination rate.

7.2.4 Program Audio Service

(A) Basic Channel Description

A Program Audio channel is a channel measured in Hertz for the transmission of a complex signal voltage. The actual bandwidth is a function of the channel interface selected by the customer. Only one-way transmission is provided. Program Audio channels are provided between customer designated premises or between a customer designated premises and a Telephone Company Hub.

(B) Technical Specifications Packages

Parameter	Package AP-				
	1	Z	3	4	5
Actual Measured Loss	X	X	X	X	X
Amplitude Tracking	X				
Crosstalk	X	X	X	X	X
Distortion Tracking	X				
Gain/Frequency Distortion	X	X	X	X	X
Group Delay	X				
Noise	X	X	X	X	X
Phase Tracking	X				
Short-Term Gain Stability	X				
Short-Term Loss	X				
Total Distortion	X	X	X	X	X

The technical specifications are delineated in Technical Reference *Publication* (T)  
*GR-337.* (T)

- The desired parameters are selected by the customer from the list of available parameters.

**CPT**

1\ 1? 1001

Richard D.

ISSUED:

Lawson

# Missouri Public

January 15, 2002

tv " (.)C.. ll..l\ . fl

pt(Of\C i1\ R1

**FILED FEB 15 2002**  
**Service Commission**

EFFECTIVE:  
February 15, 2002

Slate Executive, External Affairs  
319 Madison  
Jefferson City, MO 65101

UNITED TELEPHONE COMPANY  
OF MISSOURI

Original Page 311

ACCESS SERVICE

RECEIVED

7. Special Access Service (Cont'd)

SEP 27 1992

7.2 Service Descriptions (Cont'd)

7.2.3 Voice Grade Service (Cont'd)

E. Four-Wire/Two-Wire Conversions

When a customer requests that an effective four-wire channel be terminated with a two-wire channel interface at the customer designated premises, a four-wire to two-wire conversion is required. The rate for the conversion is included as part of the basic Channel Termination rate.

7.2.4 Program Audio Service

(A) Basic Channel Description

A Program Audio channel is a channel measured in Hertz for the transmission of a complex signal voltage. The actual bandwidth is a function of the channel interface selected by the customer. Only one-way transmission is provided. Program Audio channels are provided between customer designated premises or between a customer designated premises and a Telephone Company Hub.

(B) Technical Specifications Packages

<u>Parameter</u>	<u>Package AP-</u>				
	<u>1</u>	<u>2</u>	<u>3</u>	<u>4</u>	<u>5</u>
Actual Measured Loss	X	X	X	X	X
Amplitude Tracking	X				
Crosstalk	X	X	X	X	X
Distortion Tracking	X				
Gain/Frequency Distortion	X	X	X	X	X
Group Delay	X				
Noise	X	X	X	X	X
Phase Tracking	X				
Short-Term Gain Stability	X				
Short-Term Loss	X				
Total Distortion	X	X	X	X	X

ONCE: 111

FEB 15 2002  
1 57 RP 311

Public Service Commission  
MISSOURI

The technical specifications are delineated in Technical Reference TR-NPL-000337.

\* The desired parameters are selected by the customer from the list of available parameters.

NOV 7 1992

ISSUED:  
September 17, 1992

BY: John L Roe  
Vice President - Administration  
5454 West 110th Street  
Overland Park, Kansas 66211

EFFECTIVE:  
~~SEP 17 1992~~  
NOV 7 1992

SPRINT MISSOURI, INC.  
d/b/a SPRINT

First Revised Page 312  
Cancels Original Page 312

ACCESS SERVICE

- 7. Special Access Service (Cont'd)
  - 7.2 Service Descriptions (Cont'd)
    - 7.2.4 *Reserved for Future Use*

MissouriPublic

REC'D JUL 02 2002

Service Commission (P)

(0)

MissouriPublic

FLED AUG 12 2002

Service Commission

ISSUED:  
July 2, 2002

Richard D. Lawson  
State Executive, External Affairs  
319 Madison  
Jefferson City, MO 65101

EFFECTIVE:

~~August 12, 2002~~

AUG 12 200%

UNITED TELEPHONE COMPANY  
OF MISSOURI

Original Page 312

ACCESS SERVICE

RECEIVED

SEP U 1892

7. Special Access Service (Cont'd)

MISSOURI PUBLIC SERVICE COMMISSION

7.2 Service Descriptions (Cont'd)

7.2.4 Program Audio Service (Cont'd)

(C) Channel Interfaces

The following channel interfaces (Cis) define the bandwidths that are available for a Program Audio channel:

<u>ii</u>	<u>Bandwidth</u>
PG-1	Nominal frequency from 50 to 15000 Hz
PG-3	Nominal frequency from 200 to 3500 Hz
PG-5	Nominal frequency from 100 to 5000 Hz
PG-8	Nominal frequency from 50 to 8000 Hz

Compatible channel interfaces are set forth in 7.3.5(D) following.

(D) Optional Features and Functions

(1) Central Office Bridging Capability

Distribution Amplifier

(2) Gain Conditioning

Control of 1004 Hz AML at initiation of service to OdB ± 0.5dB.

(3) Stereo

Provision of a pair of gain/phase equalized channels for stereo applications. (Additional AP channel must be ordered separately.)

**CANCELLED**  
AUG 12 2002  
BY GRS 312  
Public Service Commission  
MISSOURI

NOV 7 1992

ISSUED:  
September 17, 1992

BY: John L Roe  
Vice President - Administration  
5454 West 110th Street  
Overland Park, Kansas 66211

EFFECTIVE:  
~~October 17, 1992~~  
NOV 7 1992



SPRINT MISSOURI, INC.  
d/b/a SPRINT

Second Revised Page 313  
Cancels First Revised Page 313

ACCESS SERVICE

7. Special Access Service (Cont'd)

7.2 Service Descriptions (Cont'd)

7.2.4 Reserved for Future Use

7.2.5 Reserved for Future Use

Missouri Public

RECO JUL 02 2002

Missouri Public Service Commission

(D)

Missouri Public

FILED AUG 12 2002

Service Commission

ISSUED:  
July 2, 2002

Richard D. Lawson  
State Executive, External Affairs  
319 Madison  
Jefferson City, MO 65101

EFFECTIVE:

[Redacted Signature]

AUG 12 2002

SPRINT MISSOURI, INC.  
d/b/a SPRINT

First Revised Page 313  
Cancels Original Page 313

ACCESS SERVICE

MJseouri Public  
Service Comm1ss1o,

7. Special Access Service (Cont'd)

REC'D MAY 03 2000

7.2 Service Descriptions (Cont'd)

7.2.4 Program Audio Service {Cont'd}

(D) Optional Features and Functions {Cont'd}

The following table shows the technical specifications packages with which the optional features and functions are available.

	Available with Technical Specifications Package AP-			
	1	2	3	4
Central Office Bridging Capability	X	X	X	X
Gain Conditioning	X	X	X	X
Stereo	X			X

7.2.5 Video Service

(A) Basic Channel Description

A Video channel is a channel with one-way transmission capability for a standard 525 line/60 field monochrome, or National Television Systems Committee color, video signal and up to four associated 5 or 15 kHz audio signal(s). The associated audio signal(s) may be either diplexed or provided as one or two separate channels. The bandwidth for a video channel is either 30 kHz to 4.5 MHz or 30kHz to 6.6 MHz. The provision and the bandwidth of the associated audio signal(s) is a function of the channel interface selected by the customer. Video channels are provided between customer designated premises or between a customer designated premises and a Telephone Company Hub.

(C)

**CANCELLED**

AUG 12 2002  
2nd RS 313  
Public Service Commission  
MISSOURI

s. JJ, f Jf&to,.

FILED JUN 02 2000

ISSUED:  
May 3, 2000

Richard D. Lawson  
State Executive, External Affairs

EFFECTIVE:  
June 2, 2000

UNITED TELEPHONE COMPANY  
OF MISSOURI

Original Page 313

ACCESS SERVICE

RECEIVED

SEP 17 1992

7. Special Access Service (Cont'd)

7.2 Service Descriptions (Cont'd)

MISSOURI PUBLIC SERVICE COMMISSION

7.2.4 Program Audio Service (Cont'd)

(D) Optional Features and Functions (Cont'd)

The following table shows the technical specifications packages with which the optional features and functions are available.

	Available with Technical Specifications Package AP-				
	e	1	2	3	4
Central Office Bridging Capability	X	X	X	X	X
Gain Conditioning	X	X	X	X	X
Stereo	X				X

7.2.5 Video Service

(A) Basic Channel Description

A Video channel is a channel with one-way transmission capability for a standard 525 line/60 field monochrome, or National Television Systems Committee color, video signal and one or two associated 5 or 15kHz audio signal(s). The associated audio signal(s) may be either diplexed or provided as one or two separate channels. The bandwidth for a video channel is either 30 Hz to 4.5 MHz or 30 Hz to 6.6 MHz. The provision and the bandwidth of the associated audio signal(s) is a function of the channel interface selected by the customer. Video channels are provided between customer designated premises or between a customer designated premises and a Telephone Company Hub.

**CANCELLED**

JUN 02 2000

SV sf P-r  
Public Service Commission  
MISSOURI

NOV 7 1992

ISSUED:  
September 17, 1992

BY: John L Roe  
Vice President - Administration  
5454 West 110th Street  
Overland Park, Kansas 66211

i.1.L. : :EFFECTIVE:

SEP 17 1992

NOV 7, 1992

SPRINT MISSOURI, INC.  
d/b/a SPRINT

First Revised Page 314  
Cancels Original Page 314

ACCESS SERVICE

7. Special Access Service (Cont'd)

7.2 Service Descriptions (Cont'd)

7.2.5 Reserved for Future Use

MissouriPublic

REC'D JUL 02 2002

Service Commission

(D)

MissouriPublic

FILED AUG 12 2002

Service Commissioner:

ISSUED  
July 2, 2002

Richard O. Lawson  
State Executive, External Affairs  
319 Madison  
Jefferson City, MO 65101

EFFECTIVE:



AUG 12 2002

ACCESS SERVICE

RECEIVED

7. Special Access Service (Cont'd)

SEP 17 1992

Service Descriptions (Cont'd)

MO. PUBLIC SERVICE COM. 11

7.2

7.2.5 Video Service (Cont'd)

(B) Technical Specifications Packages

Parameter	Package TV-		
	C*	<u>1</u>	<u>2</u>
Amplitude vs. Frequency Response	X		
Chrominance/Luminance Inequalities			
Gain	X	X	X
Delay	X	X	X
Chrominance/Luminance Intermodulation	X		
Chrominance Nonlinear Gain	X		
Chrominance Nonlinear Phase	X		
Crosstalk	X		X
Differential Gain	X	X	X
Differential Phase	X	X	X
Dynamic Gain (picture and sync signal)	X		
Field-Time Distortion	X	X	X
Gain/Frequency Distortion	X	X	X
Gain Stability	X	X	X
Insertion Gain	X	X	X
Line-Time Distortion	X	X	X
Long-Time Distortion	X	X	X

\* The desired parameters are selected by the customer from the list of available parameters.

CANCELLED

AUG 12 2002  
By *RS 314*  
Public Service Commission  
MISSOURI

11 01 11

ISSUED:

BY: John L Roe

il'.J.E: ... :EFFECT-IVE ; ,

r:OV " C92

September 17, 1992

Vice President - Administration  
5454 West 110th Street  
Overland Park, Kansas 66211

" f·ad . b?;;rnfla9Qa

NOV 7 1992

SPRINT MISSOURI, INC.  
dlb/a SPRINT

Second Revised Page 315  
Cancels First Revised Page 315

ACCESS SERVICE

Missouri **Public**

7. Special Access Service (Cont'd)

REC'O JUL 02 2002

7.2 Service Descriptions (Cont'd)

Service Commission(D)

7.2.5 Reserved for Future Use

(D)

Missouri **Public**

FILED At Ju 12 2002

Service Commission

ISSUED:  
July 2, 2002

Richard D. Lawson  
State Executive, External Affairs  
319 Madison  
Jefferson City, MO 65101

EFFECTIVE:

[REDACTED]

AUG 12 2002

SPRINT MISSOURI, INC.  
d/b/a SPRINT

First Revised Page 315  
Cancels Original Page 315

ACCESS SERVICE

**Missouri Public**

**REC'D JAN 15 2002**

**Service Commission**

7. Special Access Service (Cont'd)

7.2 Service Descriptions (Cont'd)

7.2.5 Video Service (Cont'd)

(B) Technical Specifications Packages (Cont'd)

Parameter	Package TV-		
	<u>C*</u>	<u>1</u>	<u>2</u>
Luminance Nonlinearity	X		
Luminance Signal/CCIR			
Weighted Noise	X	X	X
Short-Time Distortion			
2 T Pulse	X	X	X
T - Bar Ringing	X	X	X
Signal/15 kHz Flat			
Weighted Noise	X	X	X
Signal/Low Frequency			
Noise	X		
Stereo Gain Difference	X	X	
Stereo Phase Difference	X	X	
Total Harmonic Distortion	X	X	X
Transient Sync Signal			
Non-Linearity	X		
Video/Audio Delay			
Difference	X		

The technical specifications are delineated in Technical Reference **Publication GR-338.**

(T)  
(T)

- The desired parameters are selected by the customer from the list of available parameters.

...

**CANCELLED**  
AUG 12 2002  
By *2nd RS 315*  
Public Service Commission  
MISSOURI

**Missouri Public**

**FILED FEB 15 2002**

**Service Commission**

ISSUED:  
January 15, 2002

Richard D. Lawson  
State Executive, External Affairs  
319 Madison  
Jefferson City, MO 65101

EFFECTIVE:  
February 15, 2002



UNITED TELEPHONE COMPANY  
OF MISSOURI

Original Page 315

ACCESS SERVICE

RECEIVED

SEP 17 1992

7. Special Access Service (Cont'd)

7.2 Service Descriptions (Cont'd)

RECEIVED

7.2.5 Video Service (Cont'd)

(B) Technical Specifications Packages (Cont'd)

Parameter	Package TV-		
	£*	!	£
Luminance Nonlinearity	X		
Luminance Signal/CCIR			
Weighted Noise	X	X	X
Short-Time Distortion			
2 T Pulse	X	X	X
T - Bar Ringing	X	X	X
Signal/15 kHz Flat			
Weighted Noise	X	X	X
Signal/Low Frequency			
Noise	X		
Stereo Gain Difference	X	X	
Stereo Phase Difference	X	X	
Total Harmonic Distortion	X	X	X
Transient Sync Signal			
Non-Linearity	X		
Video/Audio Delay			
Difference	X		

The technical specifications are delineated in Technical Reference TR-NPL-000338.

\* The desired parameters are selected by the customer from the list of available parameters.

**CANCEL !**

FEB 15 2002  
Fy 1st < f 3rs  
Public Service Comm.....  
MISSOURI

LJV 11 '92

ISSUED:  
September 17, 1992

BY: John L Roe  
Vice President - Administration  
5454 West 110th Street  
Overland Park, Kansas 66211

!J.K :. EFFECTIVE :. ,  
~~October 7, 1992~~

NOV 7 1992

SPRINT MISSOURI, INC.  
d/b/a SPRINT

First Revised Page 316  
Cancels Original Page 316

ACCESS SERVICE

MissouriPublic

7. SoocialAccess Service (Cont'd)

REC'D JUL. 02 2002

7.2 Service Descriptions (Cont'd)

Service Commissid<sup>0</sup>)

7.2.5 Reserved for Future Use

{D}

7.2.6 Reserved for Future Use

7.2.7 Reserved for Future Use

MissouriPublic

FILED AUG 12 2002

Survive Commission

ISSUED:  
July 2, 2002

Richard D. Lawson  
State Executive, External Affairs  
319 Madison  
Jefferson City.MO 65101

~~EFFECTIVE:  
August 12, 2002~~

AUG 12 2002

ACCESS SERVICE

RECEIVED

7. Special Access Service (Cont'd)

SEP 1" ISS2

7.2 Service Descriptions (Cont'd)

MO. PUBLIC SERVICE COM. REG.

7.2.5 Video Service (Cont'd)

(C) Channel Interfaces

The following channel interfaces (Cis) define the bandwidth and the provision of the audio signal(s) associated with a Video channel:

CI	Audio Bandwidth	Provision
2TV6-1	15 kHz	1 Channel, diplexed
2TV6-2	15 kHz	2 Channels, diplexed
2TV7-1	15 kHz	1 Channel, diplexed
2TV7-2	15 kHz	2 Channels, diplexed
4TV6-5	5 kHz	1 Channel, separate
4TV6-15	15 kHz	1 Channel, separate
4TV7-5	5 kHz	1 Channel, separate
4TV7-15	15 kHz	1 Channel, separate
6TV6-5	5 kHz	2 Channels, separate
6TV6-15	15 kHz	2 Channels, separate
	kHz	2 Channels, separate
6TV7-5	5	
6TV7-15	15 kHz	2 Channels, separate

Compatible channel interfaces are set forth in 7.3.5(E) following.

7.2.6 Reserved for Future Use

7.2.7 Reserved for Future Use

**CANCELLED**

AUG 12 2002  
By ISRS 316  
Public Service Commission  
MISSOURI

FILED

t:av ? is9Z

ISSUED:  
September 17, 1992

BY: John L Roe  
Vice President - Administration  
5454 West 110th Street  
Overland Park, Kansas 66211

f:J.< ' !:= Fj;ECm /'\

NOV 7 1992

ACCESS SERVICE

7. Special Access Service (Cont'd)

7.2 Service Descriptions (Cont'd)

7.2.8 Digital Data Service

(A) Basic Channel Description

A Digital Data channel is a channel for duplex four-wire transmission of synchronous serial data at the rate of 2.4, 4.8, 9.6, 19.2, 56 or 64 kbps. The actual bit rate is a function of the channel interface selected by the customer. The channel provides a synchronous service with timing provided by the Telephone Company through the Telephone Company's facilities to the customer in the received bit stream. Digital Data channels are provided between customer designated premises or between a customer designated premises and a Telephone Company Hub where appropriate digital facilities are available as determined by the Telephone Company.

A Digital Service Unit/Channel Service Unit (DSU/CSU) or appropriate digital terminating equipment provided by the customer is required at the customer's premise to provide the proper interface between the Telephone Company network and the customer's equipment. The interim program for interconnection of such equipment is set forth in Technical Reference Publication PUB AS No. 1.

(B) Technical Specifications Packages

<u>Parameter</u>	<u>Package DA-</u>			
	<u>1</u>	<u>2</u>	<u>3</u>	<u>4</u>
Error-Free Seconds	X	X	X	X

The Telephone Company will provide a channel capable of meeting a monthly average performance equal to or greater than 99.875% error-free seconds while the channel is in service, if it is measured through a CSU equivalent which is designed, manufactured, and maintained to conform with the specifications contained in Technical Reference Publication MDP-326-726.

ISSUED:  
March 30, 2007

Mark D. Harper  
Director - State Regulatory  
5454 W. 110th Street  
Overland Park, Kansas 66211

EFFECTIVE:  
April 30, 2007

SPRINT MISSOURI, INC.  
d/b/a SPRINT

Third Revised Page 317  
Cancels Second Revised Page 317

ACCESS SERVICE

Missouri Public

7. Soocial Access Service (Cont'd)

REC'D JAN 15 2002

7.2 Service Descriptions (Cont'd)

Service Commission

7.2.8 Digital Data Service

(A) Basic Channel Description

A Digital Data channel is a channel for duplex four-wire transmission of synchronous serial data at the rate of 2.4, 4.8, 9.6, 19.2, 56 or 64 kbps. The actual bit rate is a function of the channel interface selected by the customer. The channel provides a synchronous service with timing provided by the Telephone Company through the Telephone Company's facilities to the customer in the received bit stream. Digital Data channels are provided between customer designated premises or between a customer designated premises and a Telephone Company Hub where appropriate digital facilities are available as determined by the Telephone Company.

A Digital Service Unit/Channel Service Unit (OSU/CSU) or appropriate digital terminating equipment provided by the customer is required at the customer's premise to provide the proper interface between the Telephone Company network and the customer's equipment. The interim program for interconnection of such equipment is set forth in Technical Reference *Publication* PUB AS No. 1. (T)

(B) Technical Specifications Packages

Parameter	Package DA-			
	I	X	X	4
Error-Free Seconds	X	X	X	X

The Telephone Company will provide a channel capable of meeting a monthly average performance equal to or greater than 99.875% error-free seconds while the channel is in service, if it is measured through a CSU equivalent which is designed, manufactured, and maintained to conform with the specifications contained in Technical Reference *Publication* MDP-326-726. (T)

Missouri Public

FILED FEB 15 2002

Service Commission

ISSUED:  
January 15, 2002

Richard D. Lawson  
State Executive, External Affairs  
319 Madison  
Jefferson City, MO 65101

EFFECTIVE:  
February 15, 2002

SPRINT MISSOURI, INC.  
d/b/a SPRINT

Second Revised Page 317  
Cancels First Revised Page 317

ACCESS SERVICE

7. Special Access Service (Cont'd)

Missouri Public  
Service Commission

7.2 Service Descriptions (Cont'd)

REC'D SE:Y 10 1999

7.2.8 Digital Data Service

(T)

(A) Basic Channel Description

A Digital Data channel is a channel for duplex four-wire transmission of synchronous serial data at the rate of 2.4, 4.8, 9.6, 19.2, 56 or 64 kbps. The actual bit rate is a function of the channel interface selected by the customer. The channel provides a synchronous service with timing provided by the Telephone Company through the Telephone Company's facilities to the customer in the received bit stream. Digital Data channels are provided between customer designated premises or between a customer designated premises and a Telephone Company Hub where appropriate digital facilities are available as determined by the Telephone Company.

(T)

(T)

A Digital Service Unit/Channel Service Unit (DSU/CSU) or appropriate digital terminating equipment provided by the customer is required at the customer's premise to provide the proper interface between the Telephone Company network and the customer's equipment. The interim program for interconnection of such equipment is set forth in Technical Reference PUB AS No. 1.

(B) Technical Specifications Packages

Parameter	E-ackage DA-			
	1	2	3	4
Error-Free Seconds	X	X	X	X

The Telephone Company will provide a channel capable of meeting a monthly average performance equal to or greater than 99.875 error-free seconds while the channel is in service, if it is measured through a CSU equivalent which is designed, manufactured, and maintained to conform with the specifications contained in Technical Reference PUB 62310.

(D)

**CANCELED**

FE BA 15 2002  
L" J"-"/ZP 311  
Putlit Sc!"Ace Comnrtsion  
MISSOURI

Missouri Public  
Service Commission

Missouri Public Service Commission  
October 11, 1999

ISSUED:  
September 10, 1999

Richard D. Lawson  
State Executive, External Affairs

EFFECTIVE:  
October 11, 1999

OCT 15 1999

UNITED TELEPHONE COMPANY  
OF MISSOURI

First Revised Page 317  
Cancels Original Page 317

ACCESS SERVICE

RECUVED

7. Special Access Service (Cont'd)

DEC 07 1995

7.2 Service Descriptions (Cont'd)

MISSOURI

7.5.8 United DigiLink-<sup>SM</sup> Sendee

Pubno Servios Commission

(A) Basic Channel Description

A United DigiLink-<sup>SM</sup> channel is a channel for duplex four-wire transmission of synchronous serial data at the rate of 2.4, 4.8, 9.6, 19.2, 56 or 64 kbps. The actual bit rate is a function of the channel interface selected by the customer. The channel provides a synchronous service with timing provided by the Telephone Company through the Telephone Company's facilities to the customer in the received bit stream. United DigiLink-<sup>SM</sup> channels are provided between customer designated premises or between a customer designated premises and a Telephone Company Hub where appropriate digital facilities are available as determined by the Telephone Company. (C)

CANCELLED

oci 15 1999

L, fl t : ssion  
pubil "Ji(tsouR)

A Digital Service Unit/Channel Service Unit (DSU/CSU) or appropriate digital terminating equipment provided by the customer is required at the customer's premise to provide the proper interface between the Telephone Company network and the customer's equipment. The interim program for interconnection of such equipment is set forth in Technical Reference PUB AS No. 1.

(B) Technical Specifications Packages

Parameter	Package DA-			
	■	/.	/	!!!
Error-Free Seconds	X	X	X	X

The Telephone Company will provide a channel capable of meeting a monthly average performance equal to or greater than 99.875% error-free seconds while the channel is in service, if it is measured through a CSU equivalent which is designed, manufactured, and maintained to conform with the specifications contained in Technical Reference PUB 62310.

smRegistered service mark of United Telecommunications, Inc.

FILED

JAN 8 1996

ISSUED:

December 7, 1995

BY: John L. Roe

Vice President - Carrier and Regulatory Services

5454 West 110th Street

Overland Park, Kansas 66211

MISSOURI  
Public Service Commission  
January 6, 1996

UNITED TELEPHONE COMPANY  
OF MISSOURI

Original Page 317

ACCESS SERVICE

FILED

SEP 17 1992

7. Special Access Service (Cont'd)

7.2 Service Descriptions (Cont'd)

MO. PUBLIC SERVICE COMMISSION

7.2.8 United DigiLink•Service

(A) Basic Channel Description

A United DigiLink• channel is a channel for duplex four-wire transmission of synchronous serial data at the rate of 2.4, 4.8, 9.6, 19.2 or 56 kbps. The actual bit rate is a function of the channel interface selected by the customer. The channel provides a synchronous service with timing provided by the Telephone Company through the Telephone Company's facilities to the customer in the received bit stream. United DigiLink•channels are provided between customer designated premises or between a customer designated premises and a Telephone Company Hub where appropriate digital facilities are available as determined by the Telephone Company.

A Digital Service Unit/Channel Service Unit (DSU/CSU) or appropriate digital terminating equipment provided by the customer is required at the customer's premise to provide the proper interface between the Telephone Company network and the customer's equipment. The interim program for interconnection of such equipment is set forth in Technical Reference PUB AS No. 1.

(B) Technical Specifications Packages

Parameter	Package DA-		
	I	L	.1
Error-Free Seconds	X	X	X

The Telephone Company will provide a channel capable of meeting a monthly average performance equal to or greater than 99.875% error-free seconds while the channel is in service, if it is measured through a CSU equivalent which is designed, manufactured, and maintained to conform with the specifications contained in Technical Reference PUB 62310.

Registered service mark of United Communications, Inc.

ISSUED:  
September 17, 1992

BY: Joan L. Roe  
Vice President - Administration  
5454 West 110th Street  
Overland Park, Kansas 66211

JAN 8 1996  
BY 1st P.S. #317  
Public Service Commission  
MISSOURI

FILED  
NOV 7 1992  
MO. PUBLIC SERVICE COMMISSION  
EFFECTIVE:  
NOV 7 1992



ACCESS SERVICE

7. Special Access Service (Cont'd)

7.2 Service Descriptions (Cont'd)

7.2.8 Digital Data Service (Cont'd)

(C) Channel Interfaces

The following channel interfaces (CIs) define the bit rates that are available for a Digital Data channel:

<u>CI</u>	<u>Bit Rate</u>
DU-24	2.4 Kbps
DU-48	4.8 Kbps
DU-96	9.6 Kbps
DU-19	19.2 Kbps
DU-56	56.0 Kbps
DU-64	64.0 Kbps

Compatible channel interfaces are set forth in 7.3.5(H) following.

(D) Optional Features and Functions

(1) Central Office Bridging Capability

Provides for the parallel connection of one virtual circuit to another virtual circuit without interrupting the integrity or continuity of the first. This service is only available from a company-designated digital hub.

ISSUED:  
March 30, 2007

Mark D. Harper  
Director - State Regulatory  
5454 W. 110th Street  
Overland Park, Kansas 66211

EFFECTIVE:  
April 30, 2007

SPRINT MISSOURI, INC.  
d/b/a SPRINT

Fourth Revised Page 318  
Cancels Third Revised Page 318

ACCESS SERVICE

Missouri Public

7. Special Access Service (Cont'd)

REC'O JAN 07 2002

7.2 Service Descriptions (Cont'd)

7.2.8 Digital Data Service (Cont'd)

Service Comm- ISSUOn

(D)  
|  
(D)

(C) Channel Interfaces

The following channel interfaces (Cis) define the bit rates that are available for a Digital Data channel:

<u>g</u>	<u>Bit Rate</u>
DU-24	2.4 Kbps
DU-48	4.8 Kbps
DU-96	9.6 Kbps
<i>DU-19</i>	19.2 Kbps
DU-56	56.0 Kbps
DU-64	64.0 Kbps

(Z)

Compatible channel interfaces are set forth in 7.3.5(H) following.

(D) Optional Features and Functions

(1) CentralOffice Bridging Capability

Provides for the parallel connection of one virtual circuit to another virtual circuit without interrupting the integrity or continuity of the first. This service is only available from a company-designated digital hub.

(T)

Missouri Public

FILED FEB 07 2002

Service Commission

ISSUED:  
January 7, 2002

Richard D. Lawson  
State Executive, External Affairs  
319 Madison  
Jefferson City, MO 65101

EFFECTIVE:  
February 7, 2002

SPRINT MISSOURI, INC.  
d/b/a SPRINT

Third Revised Page 318  
Cancels Second Revised Page 318  
MISSOURI PUBLIC SERVICE COMMISSION

ACCESS SERVICE

RFC'D DEC 17 1999

7. Special Access Service (Cont'd)

7.2 Service Descriptions (Cont'd)

7.2.8 Digital Data Service(Cont'd)

(B) Technical Specifications Packages (Cont'd)

Voltages which are compatible with Digital Data Service are delineated in Technical Reference PUB 62507.

(C) Channel Interfaces

The following channel interfaces (Cis) define the bit rates that are available for a Digital Data channel:

CI	Bit Rate
DU-24	2.4 kbps
DU-48	4.8 kbps
DU-96	9.6 kbps
	19.2 kbps
DU-56	56.0 kbps
DU-64	64.0 kbps

Compatible channel interfaces-are set forth in 7.3.5(H) following.

(D) Optional Features and Functions

(1) Central Office Bridging Capability

Provides for the parallel connection of one virtual circuit to another virtual circuit without interrupting the integrity or continuity of the first. This service is only available from a Company designated digital hub.

(N)  
|  
(N)

**CANCELLED**

FEB 07 2002

MISSOURI PUBLIC SERVICE COMMISSION  
Pucuc SeMce Com...V...  
MISSOURI

MISSOURI PUBLIC SERVICE COMMISSION

FILED JAN 17 2000

ISSUED:  
December 17, 1999

Richard D. Lawson  
State Executive, External Affairs

EFFECTIVE:  
January 17, 2000

SPRINT MISSOURI, INC.  
d/b/a SPRINT

Second Revised Page 318  
Cancels First Revised Page 318

ACCESS SERVICE

Missouri Public  
Service Commission

7. Special Access Service {Cont'd}

REC'D SEIJ ■ 0 1999

7.2 Service Descriptions (Cont'd)

7.2.8 Digital Data Service(Cont'd)

(T)

{B} Technical Specifications Packages (Cont'd)

Voltages which are compatible with Digital Data service are delineated in Technical Reference PUB 62507.

(T)

(C) Channel Interfaces

The following channel interfaces (Cis) define the bit rates that are available for a Digital Data channel:

(T}

CI	Bit Rate
DU-24	2.4 kbps
DU-48	4.8 kbps
DU-96	9.6 kbps
	19.2 kbps
DU-56	56.0 kbps
DU-64	64.0 kbps

Compatible channel interfaces are set forth in 7.3.5(H) following.

(D) Optional Features and Functions

(1) Central Office Bridging Capability

(D)

**CANCELLED**

JAN 17 2000

By 31g-1/3S  
Public Service Commission  
MISSOURI

Missouri Public  
Service Commission

FILED LH' 1 1999

(D)

ISSUED:  
September 10, 1999

Richard D. Lawson  
State Executive, External Affairs

SEP 14 1999

OCT 15 1999

RECEIVED

ACCESS SERVICE

DEC 07 1995

MISSOURI  
Public Service Commission

7. Special Access Service (Cont'd)

7.2 Service Descriptions (Cont'd)

7.2.8 United DigiLink™ Send (Contd)

(B) Technical Specifications Packages (Cont'd)

Voltages which are compatible with United DigiLink™ Service are delineated in Technical Reference PUB 62507.

(C) Channel Interfaces

The following channel interfaces (Cis) define the bit rates that are available for a United DigiLink channel:

CI	Bit Rate
DU-24	2.4 kbps
DU-48	4.8 kbps
DU-96	9.6 kbps
	19.2 kbps
DU-56	56.0 kbps
DU-64	64.0 kbps

(N)

Compatible channel interfaces are set forth in 7.3.5(H) following.

(D) Optional Features and Functions

(1) Central Office Bridging Capability

(2) Transfer Arrangement

An arrangement that affords the customer an additional measure of protection and/or flexibility in the use of their access channel(s) on a 1xN basis. The arrangement can be utilized to transfer a leg of a Special Access Service to either a spare or working channel that terminates in either the same or a different customer premises. This arrangement is available at a Telephone Company designated by key activated or dial-up control service provided to operate the transfer arrangement. A spare channel, if required, is not included as a part of the arrangement.

CANCELLED

OCT 15 1999  
L. J. Anderson #318  
Public Service Commission  
MISSOURI

Dy

JAN 1 1996  
OP8  
1:10

Registered service mark of United Telecommunications, Inc.

ISSUED:

December 7, 1995

BY: John L. Roe

Pub % Offici!l'ttSSiOn

Vice President - Carrier and Regulatory Services

5454 West 110th Street

Overland Park, Kansas 66211

UNITED TELEPHONE COMPANY  
OF MISSOURI

Original Page 318

ACCESS SERVICE

REGULATORY

SEP 17 1992

7. Special Access Service (Cont'd)

7.2 Service Descriptions (Cont'd)

U.S. PUBLIC SERVICE COMMISSION

7.2.8 United DigiLinkW Service (Cont'd)

(B) Technical Specifications Packages (Cont'd)

Voltages which are compatible with United DigiLinkW Service are delineated in Technical Reference PUB 62507.

(C) Channel Interfaces

The following channel interfaces (Cis) define the bit rates that are available for a United DigiLinkW channel:

**CANCELLED**

<u>CI</u>	<u>Bit Rate</u>
DU-24	2.4 kbps
DU-48	4.8 kbps
DU-96	9.6 kbps
	19.2 kbps
DU-56	56.0 kbps

J.N G 996  
BY )pt&' .S, #3 ;(  
Public Service commission  
MISSOURI

Compatible channel interfaces are set forth in 7.3.5(H) following.

(D) Optional Features and Functions

(1) Central Office Bridging Capability

(2) Transfer Arrangement

An arrangement that affords the customer an additional measure of protection and/or flexibility in the use of their access channel(s) on a 1xN basis. The arrangement can be utilized to transfer a leg of a Special Access Service to either a spare or working channel that terminates in either the same or a different customer premises. This arrangement is only available at a Telephone Company designated hub. A key activated or dial-up control service is required to operate the transfer arrangement. A spare channel if required, is not included as a part of the option.

sm Registered service mark of United Telecommunications, Inc.

1:0V 7:192

ISSUED:

BY: John L Roe

L.J.L :... EFFECTIVE:

September 17, 1992

Vice President - Administration  
5454 West 110th Street  
Overland Park, Kansas 66211

&?w1JSS2  
NOV 7 - 1992

ACCESS SERVICE

7. Special Access Service (Cont'd)

7.2 Service Descriptions (Cont'd)

7.2.8 Digital Data Service (Cont'd)

(D) Optional Features and Functions (Cont'd)

(2) Data Amplification

Provides for data transmission when the customer is located beyond the normal range of 42 decibel (dB) loss for digital data service (56.0 kbps and 64.0 kbps). The dB loss is determined by the route and length of the cable in addition to the gauge of the cable from the last signaling point (usually, but not always the switching office) to the customer's premise. When the dB loss is greater than 42, a repeater and associated equipment must be installed to regenerate the digital signal for accurate and acceptable data transmission to occur.

ISSUED:  
March 30, 2007

Mark D. Harper  
Director - State Regulatory  
5454 W. 110th Street  
Overland Park, Kansas 66211

EFFECTIVE:  
April 30, 2007

CANCELLED  
November 1, 2021  
Missouri Public  
Service Commission  
JI-2022-0069

**Filed**  
Missouri Public  
Service Commission

SPRINT MISSOURI, INC.  
d/b/a SPRINT

Second Revised Page 318.1  
Cancels First Revised Page 318.1

**Missouri Public  
Service Commission**

ACCESS SERVICE

**REC'D MAY 03 2000**

7. Special Access Service (Cont'd)

7.2 Service Descriptions (Cont'd)

7.2.8 Digital Data Service (Cont'd)

(D) Optional Features and Functions (Cont'd)

(2) Data Amplification

Provides for data transmission when the customer is located beyond the normal range of 42 decibel (dB) loss for digital data service (56.0 kbps and 64.0 kbps). The dB loss is determined by the route and length of the cable in addition to the gauge of the cable from the last signaling point (usually, but not always the switching office) to the customer's premise. When the dB loss is greater than 42, a repeater and associated equipment must be installed to regenerate the digital signal for accurate and acceptable data transmission to occur.

(C)  
(C)

**Missouri Public  
Service Commission**

**FILED JUN 02 2000**

ISSUED:  
May 3, 2000

Richard D. Lawson  
State Executive, External Affairs

EFFECTIVE:  
June 2, 2000



SPRINT MISSOURI, INC.  
d/b/a SPRINT

First Revised Page 318.1  
Cancels Original Page 318.1

ACCESS SERVICE

Missouri Public  
Service Corporation

7. Special Access Service (Cont'd)

REC'D SP 10 1999

7.2 Service Descriptions (Cont'd)

(T)

7.2.8 Digital Data Service (Cont'd)

{D) Optional Features and Functions (Cont'd)

(2) Data Amplification

(T)

Provides for data transmission when the customer is located beyond the normal range of 42 decibel (dB) loss for high speed digital data service. The dB loss is determined by the route and length of the cable in addition to the gauge of the cable from the last signaling point (usually, but not always the switching office) to the customer's premise. When the dB loss is greater than 42, a repeater and associated equipment must be installed to regenerate the digital signal for accurate and acceptable data transmission to occur.

**CANCELLED**

JUN 02 2000

By c2 k\_f 31'5.1

Public Service Corporation  
MISSOURI

Missouri Public  
Service Corporation (D)

FILED OCT 21 1999

ISSUED:  
September 10, 1999

Richard D. Lawson  
State Executive, External Affairs

EFFECTIVE:

OCT 15 1999

UNITED TELEPHONE COMPANY  
OF MISSOURI

Original Page 318.1

ACCESS SERVICE

W. ... f ...

7. Special Access Service (Cont'd)

JUN 28 1999

7.2 Service Descriptions (Cont'd)

7.2.8 United DigiLinkService (Cont'd)

MO. PUBLIC SERVICE COMMISSION

(D) Optional Features and Functions (Cont'd)

(3) Data Amplification

Provides for data transmission when the customer is located beyond the normal range of 42 decibel (dB) loss for high speed digital data service. The dB loss is determined by the route and length of the cable in addition to the gauge of the cable from the last signaling point (usually, but not always the switching office) to the customer's premise. When the dB loss is greater than 42, a repeater and associated equipment must be installed to regenerate the digital signal for accurate and acceptable data transmission to occur.

**c NCTI ED**

QC 15 1999  
3  
B... commission  
public S shuR

Missouri Public  
Service Commission

FILED JUL 28 1999

Registered service mark of United Telecommunications, Inc.

ISSUED:  
June 28, 1999

Richard D. Lawson  
State Executive, External Affairs

EFFECTIVE:  
July 28, 1999

ACCESS SERVICE

7. Special Access Service (Cont'd)

7.2 Service Descriptions (Cont'd)

7.2.8 Digital Data Service (Cont'd)

(T)

(D) Optional Features and Functions (Cont'd)

The following table shows the technical specifications packages with which the optional features and functions are available.

	Available with Technical Specifications Package DA-			
	<u>1</u>	<u>2</u>	<u>3</u>	<u>4</u>
Central Office Bridging Capability	X	X	X	X
Data Amplification				X

7.2.9 High Capacity Service

(A) Basic Channel Description

A High Capacity channel is a channel for the transmission of nominal 1.544, 3.152, 6.312, 44.736, and 274.176 Mbps isochronous serial data. The actual bit rate and framing format is a function of the channel interface selected by the customer. High Capacity channels are provided between customer designated premises or between a customer designated premises and a Telephone Company Hub, where appropriate digital facilities are available as determined by the Telephone Company.

The customer must furnish the Digital Network Channel Terminating Equipment associated with the High Capacity channel at the customer's premises. The interim program for interconnection of such equipment is set forth in Technical Reference Publication PUB AS No. 1.

ISSUED:  
March 30, 2007

Mark D. Harper  
Director - State Regulatory  
5454 W. 110th Street  
Overland Park, Kansas 66211

EFFECTIVE:  
April 30, 2007

SPRINT MISSOURI, INC.  
d/b/a/ SPRINT

Third Revised Page 319  
Cancels Second Revised Page 319

Missouri Public

ACCESS SERVICE

REC'D JAN 15, 2002

7. Special Access Service (Cont'd)

7.2 Service Descriptions (Cont'd)

Missouri Public Service Commission

(D) Optional Features and Functions (Cont'd)

The following table shows the technical specifications packages with which the optional features and functions are available.

	Available with Technical Specifications Package DA-			
	1	2	3	4
Central Office Bridging Capability	X	X	X	X
Data Amplification				X

7.2.9 High Capacity Service

(A) Basic Channel Description

A High Capacity channel is a channel for the transmission of nominal 1.544, 3.152, 6.312, 44.736, and 274.116 Mbps isochronous serial data. The actual bit rate and framing format is a function of the channel interface selected by the customer. High Capacity channels are provided between customer designated premises or between a customer designated premises and a Telephone Company Hub, where appropriate digital facilities are available as determined by the Telephone Company.

The customer must furnish the Digital Network Channel Terminating Equipment associated with the High Capacity channel at the customer's premises. The interim program for interconnection of such equipment is set forth in Technical Reference *Publication* PUB AS No.1.

(T)

Missouri Public

FILED FEB 15 2002

Service Commission

ISSUED:  
January 15, 2002

Richard D. Lawson  
State Executive, External Affairs  
319 Madison  
Jefferson City, MO 65101

EFFECTIVE:  
February 15, 2002

SPRINT MISSOURI, INC.  
d/b/a/ SPRINT

Second Revised Page 319  
Cancels Original Page 319

ACCESS SERVICE

Missouri Public  
Service Commission

7. Special Access Service (Cont'd)

REC'D SFP 11999

7.2 Service Descriptions (Cont'd)

(D) Optional Features and Functions (Cont'd)

The following table shows the technical specifications packages with which the optional features and functions are available.

	Available with Technical Specifications Package DA-			
	1	2	3	4
Central Office Bridging Capability	X	X	X	X
Data Amplification				X

7.2.9 High Capacity Service

(A) Basic Channel Description

A High Capacity channel is a channel for the transmission of nominal 1.544, 3.152, 6.312, 44.736, and 274.176 Mbps isochronous serial data. The actual bit rate and framing format is a function of the channel interface selected by the customer. High Capacity channels are provided between customer designated premises or between a customer designated premises and a Telephone Company Hub, where appropriate digital facilities are available as determined by the Telephone Company.

The customer must furnish the Digital Network Channel Terminating Equipment associated with the High Capacity channel at the customer's premises. The interim program for interconnection of such equipment is set forth in Technical Reference PUB AS No. 1.

**CANCEL 1;!"**

FEB 15 20 2  
Pi 3 g\_ 31f  
Public Service Commission  
MISSOURI

Missouri Public  
Service Commission

RED C.r.!! 5 19S9

ISSUED:  
September 10, 1999

Richard D. Lawson  
State Executive, External Affairs

EFFECTIVE:  
October 11, 1999

OCT 15 1999

UNITED TELEPHONE COMPANY  
OF MISSOURI

First Revised Page 319  
Cancels Original Page 319

ACCESS SERVICE

RECEIVED

7. Special Access Service (Cont'd)

JUN 28 1999

7.2 Service Descriptions (Cont'd)

7.2.8 United DigiLink™ Service (Cont'd) 111J.tUDLJII:il:hWl t.WiUVI

(D) Optional Features and Functions (Cont'd)

The following table shows the technical specifications packages with which the optional features and functions are available.

	Available with Technical Specifications Package DA-			
	1	2	3	4
Central Office Bridging Capability	X	X	X	X
Transfer Arrangement	X	X	X	X
Data Amplification				X

(N)

7.2.9 United TransLink

(A) Basic Channel Description

A United TransLink channel is a channel for the transmission of nominal 64.0 kbps\* or 1.544 Mbps isochronous serial data. The actual bit rate and framing format is a function of the channel interface selected by the customer. United TransLink channels are provided between customer designated premises or between a customer designated premises and a Telephone Company Hub, where appropriate digital facilities are available as determined by the Telephone Company.

The customer must furnish the Digital Network Channel Terminating Equipment associated with the United TransLink or other High capacity channel at the customer's premises. The interim program for interconnection of such equipment is 5'6 1tf Technical Reference PUB AS No. Mb Jtlf) :s .....T.....

CANCELLED

OCT 15 1999

Public Utility Commission  
of Missouri  
E3/Cf

JUN 28 1999

\* Available only as a channel of a 1.544 Mbps facility between two Telephone Company Digital Data Hubs or as a cross connect of two 2.4, 4.8, 9.6, 19.2, 56.0 or 64.0 kbps channels of two 1.544 Mbps facilities to a Digital Data Hub. The customer must provide system and channel assignment data.

SH Registered service mark of United Telecommunications, Inc.

ISSUED:  
June 28, 1999

Richard D. Lawson  
State Executive, External Affairs

EFFECTIVE:  
July 28, 1999

UNITED TELEPHONE COMPANY  
OF MISSOURI

Original Page 319

ACCESS SERVICE

SEP 17 1992

SEP 17 1992

7. Special Access Service (Cont'd)

7.2 Service Descriptions (Cont'd)

MO. PUBLIC SERVICE COMMISSION

7.2.8 United DigiLinkService (Cont'd)

(D) Optional Features and Functions (Cont'd)

The following table shows the technical specifications packages with which the optional features and functions are available.

	Available with Technical Specifications Package DA-			
	1.	2.	3.	4.
Central Office Bridging Capability	X	X	X	X
Transfer Arrangement	X	X	X	X

7.2.9 United TransLink

(A) Basic Channel Description

A United TransLink channel is a channel for the transmission of nominal 64.0 kbps\* or 1.544 Mbps isochronous serial data. The actual bit rate and framing format is a function of the channel interface selected by the customer. United TransLink channels are provided between customer designated premises or between a customer designated premises and a Telephone Company Hub, where appropriate digital facilities are available as determined by the Telephone Company.

The customer must furnish the Digital Network Channel Terminating Equipment associated with the United TransLink or other High capacity channel at the customer's premises. The interim program for interconnection of such equipment is set forth in Technical Reference PUB AS No. 1.

\* Available only as a channel of a 1.544 Mbps facility between two Telephone Company Digital Data Hubs or as a cross connect of two 2.4, 4.8, 9.6, 19.2, 56.0 or 64.0 kbps channels of two 1.544 Mbps facilities to a Digital Data Hub. The customer must provide system and channel assignment data.

Registered service mark of United Telecommunications, Inc.

**CANCELLED**

JUL 2 1999

Missouri Public Service Commission  
MISSOURI

NOV 7 1992

ISSUED:  
September 17, 1992

BY: John L Roe  
Vice President - Administration  
5454 West 110th Street  
Overland Park, Kansas 66211

EFFECTIVE:  
November 7, 1992

NOV 7 1992

ACCESS SERVICE

7. Special Access Service (Cont'd)

7.2 Service Descriptions (Cont'd)

7.2.9 High Capacity Service (Cont'd)

(A) Basic Channel Description (Cont'd)

Fractional DS1 channels provide simultaneous, two-way transmission at contiguous bit rates of 128.0, 256.0 and 384.0 kbps. Fractional DS1 channels operate over the combined bandwidth of adjacent channels to create a contiguous bit rate. Due to technical limitations associated with the provision of Fractional DS1, this service will be offered only in end offices where a compatible channel bank exists and the distance between the central office and the customer designated premises is less than or equal to 12,000 feet.

(B) Technical Specifications Packages

<u>Parameter</u>	<u>Package HC-</u>					
	<u>0</u>	<u>1</u>	<u>IC</u>	<u>2</u>	<u>3</u>	<u>4</u>
Error-Free Seconds	X	X				

A channel with technical specifications package HC1 will be capable of error-free second performance of 98.75% over a continuous 24 hour period as measured at the 1.544 Mbps rate through a CSU equivalent which is designed, manufactured, and maintained to conform with the specifications contained in Technical Reference Publication GR-54.

(C) Channel Interfaces

The following channel interface (CIs) defined the bit rates that are available for a High Capacity channel:

<u>CI</u>	<u>Bit Rate</u>
DS-15	1.544 Mbps (DS1)
DS-31	3.152 Mbps (DS1C)
DS-44	44.736 Mbps (DS3)

Compatible channel interfaces are set forth in 7.3.5(l) following.

ISSUED:  
March 30, 2007

Mark D. Harper  
Director - State Regulatory  
5454 W. 110th Street  
Overland Park, Kansas 66211

EFFECTIVE:  
April 30, 2007



SPRINT MISSOURI, INC.  
d/b/a/ SPRINT

Second Revised Page 320  
Cancels First Revised Page 320

ACCESS SERVICE

Missouri Public

7. Special Access Service (Cont'd)

RECD JAN 07 2002

7.2 Service Descriptions (Cont'd)

Missouri Public Service Commission

7.2.9 High Capacity Service (Cont'd)

(A) Basic Channel Description (Cont'd)

Fractional OS1 channels provide simultaneous, two-way transmission at contiguous bit rates of 128.0, 256.0 and 384.0 kbps. Fractional DS1 channels operate over the combined bandwidth of adjacent channels to create a contiguous bit rate. Due to technical limitations associated with the provision of Fractional DS1, this service will be offered only in end offices where a compatible channel bank exists and the distance between the central office and the customer designated premises is less than or equal to 12,000 feet.

(B) Technical Specifications Packages

Parameter	Package HC-				
	Q	1	IC	2	3
Error-Free Seconds	X	X			

A channel with technical specifications package HC1 will be capable of error-free second performance of 98.75% over a continuous 24 hour period as measured at the 1.544 Mbps rate through a CSU equivalent which is designed, manufactured, and maintained to conform with the specifications contained in Technical Reference *Publication GR-54*.

(T)

(C) Channel Interfaces

The following channel interface (Cis) defined the bit rates that are available for a High Capacity channel:

g_	Bit Rate
DS-15	1.544 Mbps (OS1)
DS-31	3.152 Mbps (DS1C)
DS-44	44.736 Mbps (DS3)

(D)

(D)

Compatible channel interfaces are set forth in 7.3.5(1) following.

Missouri Public

FILED FEB 07 2002

ISSUED:  
January 7, 2002

Richard D. Lawson  
State Executive, External Affairs  
319 Madison  
Jefferson City, MO 65101

Missouri Public Service Commission  
February 7, 2002

SPRINT MISSOURI, INC.  
d/b/a/ SPRINT

First Revised Page 320  
Cancels Original Page 320

ACCESS SERVICE

Missouri Public  
Service Commission

7. Special Access Service (Cont'd)

7.2 Service Descriptions (Cont'd)

-REC'D SF<sup>0</sup> ■ a 1999

7.2.9 High Capacity Service (Cont'd)

(T)

(A) Basic Channel Description (cont'd)

(M)

Fractional DSL channels provide simultaneous, two-way transmission at contiguous bit rates of 128.0, 256.0 and 384.0 kbps. Fractional DSL channels operate over the combined bandwidth of adjacent channels to create a contiguous bit rate. Due to technical limitations associated with the provision of Fractional DSL, this service will be offered only in end offices where a compatible channel bank exists and the distance between the central office and the customer designated premises is less than or equal to 12,000 feet.

(M)

(B) Technical Specifications Packages

Parameter	Package HC-				
	0	1	IC 2	3	4
Error-Free Seconds	X	X			

(TI)

A channel with technical specifications package HC1 will be capable of error-free second performance of 98.75% over continuous 24 hour period as measured at the 1.544 Mbps rate through a CSU equivalent which is designed, manufactured, and maintained to conform with the specifications contained in Technical Reference PUB 62411.

(C) Channel Interfaces

(D)

The following channel interface (Cis) defined the bit rates that are available for a High Capacity channel:

(T)

CI	Bit Rate	
DS-15	1.544 Mbps (DS1)	
DS-27	274.176 Mbps (DS4)	(M)
DS-31	3.152 Mbps (DS1C)	
DS-44	44.736 Mbps (DS3)	
DS-63	6.312 Mbps (DS2)	(M)

Compatible channel interfaces are set forth in 7.3.5(I) following.

Missouri Public  
Service Commission (D)  
(D)

FILED OCT 15 1999

CANCEU'n

FEB 7 2002

J.. 7 P3 o

Missouri  
State Executive, External Affairs

Certain material found on this page was moved from pages 324 and 325.

ISSUED:  
September 10, 1999

Richard D. Lawson  
State Executive, External Affairs

[Redacted Signature]

OCT 15 1999

UNITED TELEPHONE COMPANY  
OF MISSOURI

Original Page 320

ACCESS SERVICE

SEP 17 1992

7. Special Access Service (Cont'd)

SEP 17/1992

7.2 Service Descriptions (Cont'd)

REG. PUBLIC SERVICE COMMISSION

7.2.9 United TransLink•Service (Cont'd)

(B) Technical Specifications Packages

Parameter	Package HC-				
	0	1	IC	2	3
Error-Free Seconds		X			

A channel with technical specifications package HC1 will be capable of error-free second performance of 98.75% over a continuous 24 hour period as measured at the 1.544 Mbps rate through a CSU equivalent which is designed, manufactured, and maintained to conform with the specifications contained in Technical Reference PUB 62411.

(C) Channel Interfaces

The following channel interface (Cis) defined the bit rates that are available for a United TransLink•channel:

CI	Bit Rate
DS-15*	1.544 Mbps (DS1)

Compatible channel interfaces are set forth in 7.3.5(I) following.

\*A 64.0 kbps channel is available as a channel(s) of a 1.544 Mbps facility to a Telephone Company Hub.

- Registered service mark of United Telecommunications, Inc.

**CANCELLED**

OCT 15 1999

By *tt3 Jb*  
Public Service Commission  
MISSOURI

SEP 17 1992

NOV 7 1992

ISSUED:  
September 17, 1992

BY: John L Roe  
Vice President - Administration

5454 Vest 110th Street  
Overland Park, Kansas 66211

REG. PUBLIC SERVICE COMMISSION  
SEP 17 1992

UpUBi!  
NOV 7 1992