

P.S.C. MO. -No. 22 Section 14
GENERAL EXCHANGE TARIFF

UNITED TELEPHONE COMPANY
OF MISSOURI

Original Page 1

JOINT USER SERVICE*

A. General

Joint use of service permits a person, firm or corporation to share the use of telephone service provided to a business customer.

B. Rates

1. Joint use of Service is provided at a monthly rate of 50% of the business one party or Trunk rate computed to the next higher multiple of \$0.25.

C. Conditions

1. Joint use of service will be furnished with the approval of the Company only with business individual line, or PBX Trunk Service.

a. Residence Joint User Service is not provided.
(See Additional Listings in Directory Section of the General Exchange Tariff.)

2. Joint use of service will not be furnished to a customer who is in a business of a secretarial nature, or of renting, or leasing space to transient or permanent tenants.

3. The joint user must be located on the premises and in the same office, or in the same suite of offices as the customer, or in an office adjacent to and directly accessible from the customer's office.

4. A joint user will be furnished one directory listing without charge.

5. Applications for joint use of service shall be made by the customer.

6. The customer will be responsible for all charges incurred by the joint user.

* Joint User Service is furnished to existing customers only. Once the service is discontinued, it will no longer be offered. COS service, described in section 47 of this tariff, can be furnished to existing customers of Joint User Service.

ISSUED:
September 17, 1992

BY: Richard D. Lawson
State Executive External Affairs
319 Madison
Jefferson City, MO 65101

EFFECTIVE:
November 7, 1992

P.S.C. MO. -No. 22 Section 14
GENERAL EXCHANGE TARIFF

UNITED TELEPHONE COMPANY
OF MISSOURI

Original Page 2

JOINT USER SERVICE*

C. Conditions (Continued)

7. Extension stations, additional listings and supplemental services may be furnished to the joint user at the request of the customer and at regular rates.
8. After the listing for the joint user has been included in the directory, joint use of service may not be discontinued during the life of the directory, except under the following conditions:
 - a. The customer's service is discontinued.
 - b. The joint user moves from the premise where the customer's service is located.
 - c. The joint user established his own primary service on the same premise.

* Joint User Service is furnished to existing customers only. Once the service is discontinued, it will no longer be offered COS service, described in section 47 of this tariff, can be furnished to existing customers of Joint User Service.

ISSUED:
September 17, 1992

BY: Richard D. Lawson
State Executive External Affairs
319 Madison
Jefferson City, MO 65101

EFFECTIVE:
November 7, 1992

GENERAL EXCHANGE TARIFF

Embarq Missouri, Inc.
d/b/a Embarq

First Revised Page 1 (C)
Cancels Original Page 1 (C)

KEY TELEPHONE SYSTEMS

I. GENERAL

A.

A key telephone system is an arrangement of **equipment in combination with telephone sets and associated keys, to connect the associated telephone to any one of a limited number of exchange, PBX, intercommunicating or private lines.**

(D)
|
(D)(T)
|
(D)(T)
(D)

B. All commercial power, power wiring and power outlets required for the operation of a key telephone system shall be furnished and maintained by the customer.

(D)(M) (T)
(M)

II. RATES

A. Key Telephone Systems

(M1)(T)

1. Central office trunks are provided for **key systems designated as K-76A, K-36A Electronic and Communicator Series and for all other key and PBX systems except as specified in paragraph 2. following.** The rates for central office trunks are located in **Section 16, Local Exchange Service of this tariff.** Rotary Hunt service rates found in Section 18 may **also** be applicable.

(T)

2. Business or **Residence individual line** rates specified in the "Local Exchange Service" section shall apply for central office lines terminating **into key systems designated as** an Econolight or Econopak key system. Rotary Hunt service found in Section 18 may be applicable.

(T)

3. When PBX or other such lines are terminated in a key system the station line rate for the related system shall apply.

4. The minimum service period for key system equipment and service is 30 days.

III. CHANGE AND MOVE CHARGES

When changing or moving key telephone equipment or systems at the customer's request, the respective installation charges specified in this tariff shall apply.

(T)

(M1)

(D)

(M) Material now appearing on this page previously appeared on Original Page 2.

(M1) Material now appearing on this page previously appeared on Original Page 4.

ISSUED:
January 27, 2009

BY: Darlene N. Terry
Manager - Tariffs
5454 W. 110th Street
Overland Park, KS 66211

EFFECTIVE:
February 26, 2009

P.S.C. MO. -No. 22 Section 15
GENERAL EXCHANGE TARIFF

UNITED TELEPHONE COMPANY
OF MISSOURI

Original Page 1

KEY TELEPHONE SYSTEMS

I. GENERAL

A. Key Telephone Systems are furnished in connection with but not limited to central office lines or trunks, or private branch exchange lines. A key telephone system is an arrangement of telephone facilities which provides one or more of the following services:

1. Pick-up: Permits connection of a telephone to any one of two or more lines terminated at the telephone.
2. Holding: Permits a call to be held on one line so that another call can be made or answered on a different line from the same telephone.
3. Intercom: An arrangement in which two or more telephones in the same key system may communicate with each other over an intercommunicating line.
4. Exclusion: Permits designated telephones to obtain private use of a line.
5. Signaling: Provides audible indication of an incoming call.
6. Illumination: Provides visual indication of one or more of the following:
 - An incoming call
 - A line in use (Busy Lamp)
 - A call being held

B. Key telephone systems are normally offered to provide service within a single premise. Off premise extensions may be provided to the extent that facilities permit, subject to additional charges including applicable mileage charges.

C. One audible signal is furnished without additional charges for each central office line connected to a system. Additional auxiliary audible or visual signals are furnished at regular established rates.

ISSUED:
September 17, 1992

BY: Richard D. Lawson
State Executive, External Affairs
319 Madison
Jefferson City, MO 65101

EFFECTIVE:
November 7, 1992

GENERAL EXCHANGE TARIFF

**Embarq Missouri, Inc.
d/b/a Embarq**

First Revised Page 2 (C)
Cancels Original Page 2 (C)

KEY TELEPHONE SYSTEMS

Reserved For Future Filing

(D)(T)

(M)

(M)

(D)

(D)

(M) Material previously found on this page now appears on First Revised Page 1.

ISSUED:
January 27, 2009

BY: Darlene N. Terry
Manager - Tariffs
5454 W. 110th Street
Overland Park, KS 66211

EFFECTIVE:
February 26, 2009

P.S.C. MO. -No. 22 Section 15
GENERAL EXCHANGE TARIFF

UNITED TELEPHONE COMPANY
OF MISSOURI

Original Page 2

KEY TELEPHONE SYSTEMS

I. GENERAL (Cont'd)

- D. All commercial power, power wiring and power outlets required for the operation of a key telephone system shall be furnished and maintained by the customer.
- E. Monthly rates set forth in this tariff contemplate the use of standard equipment and arrangements. When at a customer's request or due to special requirements for satisfactory service, special equipment or arrangements are necessary, such may be provided subject to provisions of the General Exchange Tariff "Special Equipment and Assemblies" section.
- F. The telephone company reserves the right to limit the number of telephones connected to a key system when necessary for the furnishing of a satisfactory service.
- G. Installation charges set forth in this tariff are based upon average installations. When, for any reason, installation costs are in excess of normal, the customer may be required to contract in advance to retain the service for a period of months or to pay the excessive installation costs, or both.

II. DESCRIPTION OF PACKAGE KEY TELEPHONE SYSTEMS

- A. Key telephone package systems are groupings of the service features described herein, designed to meet the various service requirements of the customer.
- B. Key telephone package systems provide the following service features:
 - 1. Econopak system provides a pick-up and hold for one, two or three lines. A six button instrument is regularly provided equipped with a separate hold and pick-up button for each of the three lines.
 - 2. Econolight system provides pick-up, hold, illumination, and dial selective intercommunication with one common talking path (busy lamp is the only visual indication on the intercommunication line). A six button instrument with separate pick-up and hold button for each of the three lines is regularly provided. System capacity is two incoming lines and intercommunication for eighteen stations.

ISSUED:
September 17, 1992

BY: Richard D. Lawson
State Executive, External Affairs
319 Madison
Jefferson City, MO 65101

EFFECTIVE:
November 7, 1992

P.S.C. MO. -No. 22 Section 15

GENERAL EXCHANGE TARIFF

**Embarq Missouri, Inc.
d/b/a Embarq**

First Revised Page 3 (C)
Cancels Original Page 3 (C)

KEY TELEPHONE SYSTEMS

Reserved For Future Filing

(D)(T)

(D)

(D)

ISSUED:
January 27, 2009

BY: Darlene N. Terry
Manager - Tariffs
5454 W. 110th Street
Overland Park, KS 66211

EFFECTIVE:
February 26, 2009

CANCELLED
October 1, 2014
Missouri Public
Service Commission
JI-2015-0081

Filed
Missouri Public
Service Commission
JI-2009-0552

P.S.C. MO. -No. 22 Section 15
GENERAL EXCHANGE TARIFF

UNITED TELEPHONE COMPANY
OF MISSOURI

Original Page 3

KEY TELEPHONE SYSTEMS

II. DESCRIPTION OF PACKAGE KEY TELEPHONE SYSTEMS (Cont'd)

B. (Cont'd)

3. Communicator 0 System provides pick-up hold and illumination.
4. Communicator I System provides pick-up, hold, illumination, and intercommunication with one common talking path and dial selective signaling (busy lamp is the only visual indication on the intercommunication line).
5. Communicator II System** provides pick-up, hold illumination and intercommunication with dial selective signaling and busy tone on one private talking path.
6. Communicator III System** is the same as Communicator II except that two private intercommunication paths are provided.
7. Communicator IV System** provides pick-up, hold and illumination for incoming lines (with pick-up only on intercommunication lines), and intercommunication with a maximum capacity of four paths and twenty-eight station lines.
8. K36-A Key Telephone System provides pick-up, hold, illumination and intercommunication with dial selective signaling and station busy tone on two or four private talking paths. (System capacity - 4 talking paths and 54 stations).

**Available only from stock

ISSUED:
September 17, 1992

BY: Richard D. Lawson
State Executive, External Affairs
319 Madison
Jefferson City, MO 65101

EFFECTIVE:
November 7, 1992

P.S.C. MO. -No. 22 Section 15

GENERAL EXCHANGE TARIFF

**Embarq Missouri, Inc.
d/b/a Embarq**

First Revised Page 4 (C)
Cancels Original Page 4 (C)

KEY TELEPHONE SYSTEMS

Reserved For Future Filing

(M)(T)

(M)

(M) Material previously found on this page now appears on First Revised Page 1.

ISSUED:
January 27, 2009

BY: Darlene N. Terry
Manager - Tariffs
5454 W. 110th Street
Overland Park, KS 66211

EFFECTIVE:
February 26, 2009

Filed
Missouri Public
Service Commission
JI-2009-0552

P.S.C. MO. -No. 22 Section 15
GENERAL EXCHANGE TARIFF

UNITED TELEPHONE COMPANY
OF MISSOURI

Original Page 4

KEY TELEPHONE SYSTEMS

III. RATES

A. Key Telephone Systems

1. Central office trunks are provided for the K-76A, K-36A Electronic and Communicator Series of key stems. The rates for central office trunks are located in the Local Exchange Service - Rate Group Section. Rotary Hunt service rates found in Section 18 may be applicable.
2. Business or Residence one-party service rates specified in the "Local Exchange Service" section shall apply for central office lines terminating in an Econolight or Econopak key system. Rotary Hunt service found in Section 18 may be applicable.
3. When PBX or other such lines are terminated in a key system the station line rate for the related system shall apply.
4. The minimum service period for key system equipment and service is 30 days.

IV. CHANGE AND MOVE CHARGES

When changing or moving key telephone equipment or systems at the customer's request, the respective installation charges specified in this tariff shall apply.

ISSUED:
September 17, 1992

BY: Richard D. Lawson
State Executive, External Affairs
319 Madison
Jefferson City, MO 65101

EFFECTIVE:
November 7, 1992

GENERAL EXCHANGE TARIFF

Embarq Missouri, Inc.
d/b/a CenturyLink

Fourth Revised Page 1
Cancels Third Revised Page 1

LOCAL EXCHANGE SERVICE

I. STATEWIDE SCHEDULE OF RATES FOR FLAT RATE SERVICE BY EXCHANGE AND CLASSIFICATION OF SERVICE

The rates specified herein entitle subscribers in a given exchange to unlimited, flat-rate calling within their exchange, and to and from EAS exchanges where applicable. See V. of this section for a list of Extended Area Service exchanges. Rates for Payphone Line Service are specified in Section 29 of this Tariff. See IX. of this Section for Local Measured Service rates.

EXCHANGE	RESIDENCE		BUSINESS	
	Individual Line	Trunk	Individual Line	Trunk
Appleton City	\$20.00	\$20.00	\$23.50	\$34.00
Blackburn	20.00	20.00	23.05	34.00
Blairstown	20.00	20.00	23.05	34.00
Brazito	20.00	22.00	23.05	34.00
Buckner	20.00	30.24	23.50	34.00
Butler	20.00	22.00	23.50	34.00
Calhoun	20.00	20.00	23.05	34.00
California	20.00	20.00	23.50	34.00
Camden Point	20.00	20.00	23.05	34.00
Centertown	20.00	22.00	23.05	34.00
Centerview	20.00	22.00	23.50	34.00
Chilhowee	20.00	20.00	23.05	34.00
Clarksburg	20.00	20.00	23.05	34.00
Clinton	20.00	20.00	23.50	34.00
Coal	20.00	20.00	23.05	34.00
Cole Camp	20.00	20.00	23.50	34.00
Craig	20.00	20.00	23.05	34.00
Dearborn	20.00	20.00	23.05	34.00
Deepwater	20.00	20.00	23.05	34.00
Edgerton	20.00	20.00	23.05	34.00
Eugene	20.00	22.00	23.50	34.00
Fairfax	20.00	20.00	23.05	34.00

(1)

ISSUED:
July 31, 2014

BY: Darlene N. Terry
Manager - Tariffs
5454 West 110th Street
Overland Park, KS 66211

EFFECTIVE:
September 1, 2014

MO 14-08

GENERAL EXCHANGE TARIFF

Embarq Missouri, Inc.
d/b/a CenturyLink

Third Revised Page 1
Cancels Second Revised Page 1

LOCAL EXCHANGE SERVICE

I. STATEWIDE SCHEDULE OF RATES FOR FLAT RATE SERVICE BY EXCHANGE AND CLASSIFICATION OF SERVICE

The rates specified herein entitle subscribers in a given exchange to unlimited, flat-rate calling within their exchange, and to and from EAS exchanges where applicable. See V. of this section for a list of Extended Area Service exchanges. Rates for Payphone Line Service are specified in Section 29 of this Tariff. See IX. of this Section for Local Measured Service rates.

EXCHANGE	RESIDENCE		BUSINESS	
	Individual Line	Trunk	Individual Line	Trunk
Appleton City	\$18.00 (1)	\$19.00 (1)	\$23.50 (1)	\$34.00
Blackburn	18.00	19.00	23.05	34.00
Blairstown	18.00	19.00	23.05	34.00
Brazito	19.00	22.00 (1)	23.05	34.00
Buckner	19.00	30.24	23.50	34.00
Butler	19.00	22.00 (1)	23.50	34.00
Calhoun	18.00	19.00	23.05	34.00
California	19.00	19.00	23.50	34.00
Camden Point	18.00	19.00	23.05	34.00
Centertown	19.00	22.00	23.05	34.00
Centerview	19.00	22.00	23.50	34.00
Chilhowee	18.00	19.00	23.05	34.00
Clarksburg	18.00	19.00 (1)	23.05	34.00
Clinton	19.00	19.77	23.50	34.00
Coal	19.00	19.77	23.05	34.00
Cole Camp	19.00	19.00 (1)	23.50	34.00
Craig	18.00	19.00	23.05	34.00
Dearborn	18.00	19.00	23.05	34.00
Deepwater	18.00	19.00	23.05	34.00
Edgerton	18.00	19.00	23.05	34.00
Eugene	19.00	22.00	23.50	34.00
Fairfax	18.00 (1)	19.00 (1)	23.05 (1)	34.00

ISSUED:
December 1, 2011

BY: Darlene N. Terry
Manager - Tariffs
5454 W. 110th Street
Overland Park, Kansas 66211

EFFECTIVE:
January 1, 2012

CANCELLED
September 1, 2014
Missouri Public
Service Commission
JI-2015-0040

Filed
Missouri Public
Service Commission
JI-2012-0253

GENERAL EXCHANGE TARIFF

Embarq Missouri, Inc.
d/b/a CenturyLink

Second Revised Page 1
Cancels First Revised Page 1

LOCAL EXCHANGE SERVICE

I. STATEWIDE SCHEDULE OF RATES FOR FLAT RATE SERVICE BY EXCHANGE AND CLASSIFICATION OF SERVICE

The rates specified herein entitle subscribers in a given exchange to unlimited, flat-rate calling within their exchange, and to and from EAS exchanges where applicable. See V. of this section for a list of Extended Area Service exchanges. Rates for Payphone Line Service are specified in Section 29 of this Tariff. See IX. of this Section for Local Measured Service rates.

EXCHANGE	RESIDENCE		BUSINESS	
	Individual Line	Trunk	Individual Line	Trunk
Appleton City	\$16.72 (1)	\$17.62	\$22.00	\$34.00
Blackburn	16.72	17.62	22.00	34.00
Blairstown	16.72 (1)	17.62	22.00	34.00
Brazito	18.00	21.27	22.00	34.00
Buckner	18.00 (1)	30.24	22.00	34.00
Butler	18.00	21.05	22.00	34.00
Calhoun	16.72	17.62	22.00	34.00
California	17.29	18.97	22.00	34.00
Camden Point	16.72 (1)	17.62	22.00	34.00
Centertown	18.00	21.27	22.00	34.00
Centerview	18.00	21.27	22.00	34.00
Chilhowee	16.72 (1)	17.62	22.00	34.00
Clarksburg	16.72	17.62	22.00	34.00
Clinton	18.00	19.77	22.00	34.00
Coal	18.00	19.77	22.00	34.00
Cole Camp	17.29	18.97	22.00	34.00
Craig	16.72	17.62	22.00	34.00
Dearborn	16.72	17.62	22.00	34.00
Deepwater	16.72	17.62	22.00	34.00
Edgerton	16.72 (1)	17.62	22.00	34.00
Eugene	18.00	21.27	22.00	34.00
Fairfax	16.72 (1)	17.62	22.00	34.00

ISSUED:
January 7, 2011

BY: Darlene N. Terry
Manager - Tariffs
5454 W. 110th Street
Overland Park, Kansas 66211

EFFECTIVE:
February 1, 2011

CANCELLED
January 01, 2012
Missouri Public
Service Commission
JI-2012-0253

FILED
Missouri Public
Service Commission
JI-2011-0347

GENERAL EXCHANGE TARIFF

Embarq Missouri, Inc.
d/b/a Embarq

First Revised Page 1 (C)
Cancels Original Page 1 (C)

LOCAL EXCHANGE SERVICE (C)

I. STATEWIDE SCHEDULE OF RATES FOR FLAT RATE SERVICE BY EXCHANGE AND CLASSIFICATION OF SERVICE (C)
(C)

(D)

(D)

The rates specified herein entitle subscribers in a given exchange to unlimited, flat-rate calling within their exchange, and to and from EAS exchanges where applicable. See V. of this section for a list of Extended Area Service exchanges. Rates for Payphone Line Service are specified in Section 29 of this Tariff. See IX. of this Section for Local Measured Service rates.

(N)

EXCHANGE	RESIDENCE		BUSINESS	
	Individual Line	Trunk	Individual Line	Trunk
Appleton City	\$14.72 (I)	\$17.62 (I)	\$22.00 (I)	\$34.00 (I)
Blackburn	14.72	17.62	22.00	34.00
Blairstown	14.72	17.62	22.00 (I)	34.00
Brazito	18.00	21.27	22.00 (R)	34.00
Buckner	17.00	30.24	22.00 (I)	34.00
Butler	16.15	21.05	22.00	34.00
Calhoun	14.72	17.62	22.00	34.00
California	15.29	18.97	22.00	34.00
Camden Point	14.72	17.62	22.00 (I)	34.00
Centertown	18.00	21.27	22.00 (R)	34.00
Centerview	18.00	21.27	22.00 (R)	34.00
Chilhowee	14.72	17.62	22.00 (I)	34.00
Clarksburg	14.72	17.62	22.00	34.00
Clinton	16.30	19.77	22.00 (I)	34.00
Coal	16.30	19.77	22.00 (R)	34.00
Cole Camp	15.29	18.97	22.00 (I)	34.00
Craig	14.72	17.62	22.00	34.00
Dearborn	14.72	17.62	22.00	34.00
Deepwater	14.72	17.62	22.00	34.00
Edgerton	14.72	17.62	22.00 (I)	34.00
Eugene	18.00	21.27	22.00 (R)	34.00
Fairfax	14.72 (I)	17.62 (I)	22.00 (I)	34.00 (I)

(N)

(D)

ISSUED:
January 20, 2009

BY: Darlene N. Terry
Manager - Tariffs
5454 W. 110th Street
Overland Park, Kansas 66211

EFFECTIVE:
February 1, 2009

CANCELLED
February 1, 2011
Missouri Public
Service Commission
JI-2011-0347

FILED
Missouri Public
Service Commission
JI-2009-0528

P.S.C. MO.-No. 22 Section 16
GENERAL EXCHANGE TARIFF

UNITED TELEPHONE COMPANY
OF MISSOURI

Original Page 1

LOCAL EXCHANGE SERVICE RATE GROUPS

I. ACCESS LIMITS AND EXCHANGES BY RATE GROUPS:

A. Rate Groups

<u>Rate Group Number</u>	<u>Central Office Access Lines **</u>
I	1 - 1,300
II	1,301 - 4,000
III	4,001 - 20,000
IV	20,001 - 35,000

** Access Lines are defined in the "Explanation of Terms" Section, General Exchange Tariff.

ISSUED:
September 17, 1992

BY: Richard D. Lawson
State Executive, External Affairs
319 Madison
Jefferson City, MO 65101

EFFECTIVE:
November 7, 1992

CANCELLED
February 1, 2009
Missouri Public
Service Commission
JI-2009-0528

Filed
Missouri Public
Service Commission

GENERAL EXCHANGE TARIFF

Embarq Missouri, Inc.
d/b/a CenturyLink

Tenth Revised Page 2
Cancels Ninth Revised Page 2

LOCAL EXCHANGE SERVICE

I. STATEWIDE SCHEDULE OF RATES FOR FLAT RATE SERVICE BY EXCHANGE AND CLASSIFICATION OF SERVICE (Cont'd)

<u>EXCHANGE</u>	<u>RESIDENCE</u>		<u>BUSINESS</u>	
	<u>Individual Line</u>	<u>Trunk</u>	<u>Individual Line</u>	<u>Trunk</u>
Ferrelview	\$19.00 (1)	\$33.68	\$23.50 (1)	\$34.00
Ft. Leonard Wood	19.00	28.38	23.50	34.00
Green Ridge	18.00	19.00 (1)	23.50	34.00
Hardin	18.00	19.00	23.05	34.00
Harrisonville	19.00	22.00	23.50	34.00
Henrietta	18.00	19.00	23.50	34.00
Holden	19.00	19.00	23.50	34.00
Holt	19.00	19.00	23.05	34.00
Hopkins ⁽¹⁾	18.00	19.00	23.05	34.00
Houstonia	18.00	19.00 (1)	23.05	34.00
Ionia	19.00	20.87	23.05 (1)	34.00
Jefferson City	19.00	33.68	22.00	34.00
Kearney	19.00	33.68	23.50 (1)	34.00
King City	18.00	19.00 (1)	23.50	34.00
Kingsville	19.00	19.00 (1)	23.05	34.00
Lake Lotawana	19.00	32.39	23.50	34.00
Lebanon	19.00	28.38	23.50	34.00
Leeton	18.00	19.00 (1)	23.50	34.00
Lexington	19.00	19.00	23.50	34.00
Lincoln	18.00	19.00	23.50	34.00
Lone Jack	19.00	19.00	23.50	34.00
Malta Bend	18.00	19.00 (1)	23.05	34.00
Maryville	19.00	19.77	23.50	34.00
Missouri City	18.00	19.00 (1)	23.50	34.00
Montrose	18.00	19.00	23.50	34.00
Mound City	19.00	19.00	23.05	34.00
New Bloomfield	19.00	22.00 (1)	23.50	34.00
Newburg	19.00	19.00	23.50	34.00
Norborne	19.00	28.38	23.50	34.00
Oak Grove	19.00	28.38	23.50	34.00
Odessa	19.00	28.38	23.50	34.00
Orrick	18.00	19.00 (1)	23.05	34.00
Otterville	18.00 (1)	19.00 (1)	23.05 (1)	34.00

⁽¹⁾ Includes North Hopkins, Iowa

ISSUED:
December 1, 2011

BY: Darlene N. Terry
Manager - Tariffs
5454 W. 110th Street
Overland Park, Kansas 66211

EFFECTIVE:
January 1, 2012

CANCELLED
September 1, 2014
Missouri Public
Service Commission
JI-2015-0040

Filed
Missouri Public
Service Commission
JI-2012-0253

GENERAL EXCHANGE TARIFF

Embarq Missouri, Inc.
d/b/a CenturyLink

Ninth Revised Page 2
Cancels Eighth Revised Page 2

LOCAL EXCHANGE SERVICE

I. STATEWIDE SCHEDULE OF RATES FOR FLAT RATE SERVICE BY EXCHANGE AND CLASSIFICATION OF SERVICE (Cont'd)

<u>EXCHANGE</u>	<u>RESIDENCE</u>		<u>BUSINESS</u>	
	<u>Individual Line</u>	<u>Trunk</u>	<u>Individual Line</u>	<u>Trunk</u>
Ferrelview	\$18.00	\$33.68	\$22.00	\$34.00
Ft. Leonard Wood	18.00	28.38	22.00	34.00
Green Ridge	16.72 (1)	17.62	22.00	34.00
Hardin	16.72	17.62	22.00	34.00
Harrisonville	18.00	21.05	22.00	34.00
Henrietta	16.72	17.62	22.00	34.00
Holden	17.29	18.97	22.00	34.00
Holt	17.29	18.97	22.00	34.00
Hopkins ⁽¹⁾	16.72	17.62	22.00	34.00
Houstonia	16.72	17.62	22.00	34.00
Ionia	18.00 (1)	20.87	22.00	34.00
Jefferson City	18.00	33.68	22.00	34.00
Kearney	18.00	33.68	22.00	34.00
King City	16.72 (1)	17.62	22.00	34.00
Kingsville	17.29	18.97	22.00	34.00
Lake Lotawana	18.00 (1)	32.39	22.00	34.00
Lebanon	18.00	28.38	22.00	34.00
Leeton	16.72 (1)	17.62	22.00	34.00
Lexington	17.29	18.97	22.00	34.00
Lincoln	16.72	17.62	22.00	34.00
Lone Jack	18.00	18.97	22.00	34.00
Malta Bend	16.72	17.62	22.00	34.00
Maryville	18.00	19.77	22.00	34.00
Missouri City	16.72	17.62	22.00	34.00
Montrose	16.72	17.62	22.00	34.00
Mound City	17.29 (1)	18.97	22.00	34.00
New Bloomfield	18.00	21.27	22.00	34.00
Newburg	17.29 (1)	18.97	22.00	34.00
Norborne	18.00 (1)	28.38	22.00	34.00
Oak Grove	18.00	28.38	22.00	34.00
Odessa	18.00	28.38	22.00	34.00
Orrick	16.72 (1)	17.62	22.00	34.00
Otterville	16.72 (1)	17.62	22.00	34.00

(1) Includes North Hopkins, Iowa

ISSUED:
January 7, 2011

BY: Darlene N. Terry
Manager - Tariffs
5454 W. 110th Street
Overland Park, Kansas 66211

EFFECTIVE:
February 1, 2011

CANCELLED
January 01, 2012
Missouri Public
Service Commission
JI-2012-0253

FILED
Missouri Public
Service Commission
JI-2011-0347

GENERAL EXCHANGE TARIFF

Embarq Missouri, Inc.
d/b/a Embarq

Eighth Revised Page 2
Cancels Seventh Revised Page 2

LOCAL EXCHANGE SERVICE

I. STATEWIDE SCHEDULE OF RATES FOR FLAT RATE SERVICE BY EXCHANGE AND CLASSIFICATION OF SERVICE (Cont'd)

<u>EXCHANGE</u>	<u>RESIDENCE</u>		<u>BUSINESS</u>	
	<u>Individual Line</u>	<u>Trunk</u>	<u>Individual Line</u>	<u>Trunk</u>
Ferrelview	\$18.00 (I)	\$33.68 (R)	\$22.00 (R)	\$34.00 (R)
Ft. Leonard Wood	18.00	28.38 (R)	22.00 (R)	34.00 (I)
Green Ridge	14.72	17.62 (I)	22.00 (I)	34.00
Hardin	14.72	17.62	22.00	34.00
Harrisonville	16.15	21.05	22.00	34.00
Henrietta	14.72	17.62	22.00	34.00
Holden	15.29	18.97	22.00	34.00
Holt	15.29	18.97	22.00	34.00
Hopkins ⁽¹⁾	14.72	17.62	22.00	34.00
Houstonia	14.72	17.62	22.00 (I)	34.00
Ionia	17.00	20.87 (I)	22.00 (R)	34.00 (I)
Jefferson City	18.00	33.68 (R)	22.00 (R)	34.00 (R)
Kearney	18.00	33.68 (I)	22.00 (I)	34.00 (I)
King City	14.72	17.62	22.00 (I)	34.00
Kingsville	15.29	18.97	22.00	34.00
Lake Lotawana	17.00	32.39 (I)	22.00	34.00
Lebanon	18.00	28.38 (R)	22.00	34.00
Leeton	14.72	17.62 (I)	22.00	34.00
Lexington	15.29	18.97	22.00	34.00
Lincoln	14.72	17.62	22.00	34.00
Lone Jack	15.29	18.97	22.00	34.00
Malta Bend	14.72	17.62	22.00	34.00
Maryville	16.30	19.77	22.00	34.00
Missouri City	14.72	17.62	22.00	34.00
Montrose	14.72	17.62	22.00 (I)	34.00
Mound City	15.29	18.97	22.00 (I)	34.00
New Bloomfield	18.00	21.27	22.00 (R)	34.00
Newburg	15.29	18.97	22.00 (I)	34.00
Norborne	17.00	28.38 (I)	22.00	34.00
Oak Grove	18.00	28.38 (R)	22.00	34.00
Odessa	18.00	28.38 (R)	22.00	34.00
Orrick	14.72	17.62 (I)	22.00	34.00
Otterville	14.72 (I)	17.62 (I)	22.00 (I)	34.00 (I)

⁽¹⁾ Includes North Hopkins, Iowa

ISSUED:
January 20, 2009

BY: Darlene N. Terry
Manager - Tariffs
5454 W. 110th Street
Overland Park, Kansas 66211

EFFECTIVE:
February 1, 2009

CANCELLED
February 1, 2011
Missouri Public
Service Commission
JI-2011-0347

FILED
Missouri Public
Service Commission
JI-2009-0528

GENERAL EXCHANGE TARIFF

Embarq Missouri, Inc.
d/b/a Embarq

Seventh Revised Page 2
Cancels Sixth Revised Page 2

LOCAL EXCHANGE SERVICE RATE GROUPS

I. ACCESS LIMITS AND EXCHANGES BY RATE GROUPS: (Cont'd)

B. EXCHANGES IN EACH RATE GROUP IN "A" ABOVE *

I

Appleton City	Blackburn	Blairstown	Brazito
Calhoun	Camden Point	Centertown	Centerview
Chilhowee	Clarksburg	Coal	Craig
Dearborn	Deepwater	Edgerton	Eugene
Fairfax	Green Ridge	Hardin	Henrietta
Hopkins**	Houstonia	Ionia	King City
Kingsville	Leeton	Lincoln	Malta Bend
Missouri City	Montrose	New Bloomfield	Norborne
Orrick	Otterville	Pickering	St. Thomas
Smithton	Strasburg	Syracuse	Taos
Urich	Waverly	Wellington	

(T)

II

Buckner	California	Cole Camp	Holden
Holt	Lake Lotawana	Lexington	Lone Jack
Mound City	Newburg	Richland	Russellville
Sweet Springs	Tarkio	Tipton	Weston
Windsor			

III

Butler	Clinton	Ferrelview	Ft. Leonard Wood
Harrisonville	Kearney	Lebanon	Maryville
Oak Grove	Odessa	Platte City	Pleasant Hill
St. Robert	Salem	Warrensburg	Warsaw
Waynesville			

IV

Jefferson City	Rolla
----------------	-------

* See Section 16.X for list of competitive exchanges.

** Includes North Hopkins, Iowa

(N)

ISSUED:
May 31, 2007

BY: Darlene N. Terry
Manager - Tariffs
5454 W. 110th Street
Overland Park, KS 66211

EFFECTIVE:
June 30, 2007

CANCELLED
February 1, 2009
Missouri Public
Service Commission
JI-2009-0528

Filed
Missouri Public
Service Commission

GENERAL EXCHANGE TARIFF

SPRINT MISSOURI, INC.
d/b/a SPRINT

Sixth Revised Page 2
Cancels Fifth Revised Page 2

LOCAL EXCHANGE SERVICE RATE GROUPS

I. ACCESS LIMITS AND EXCHANGES BY RATE GROUPS: (Cont'd)

B. EXCHANGES IN EACH RATE GROUP IN "A" ABOVE * (T)

I

Appleton City	Blackburn	Blairstown	Brazito	
Calhoun	Camden Point	Centertown	Centerview	
Chilhowee	Clarksburg	Coal	Craig	
Dearborn	Deepwater	Edgerton	Eugene	
Fairfax	Green Ridge	Hardin	Henrietta	
	Hopkins	Houstonia	Ionia	
King City	Kingsville	Leeton	Lincoln	
Malta Bend	Missouri City	Montrose	New Bloomfield	
	Norborne	Orrick	Otterville	(T)
Pickering	St. Thomas	Smithton	Strasburg	
	Syracuse	Taos		
Urlich	Waverly	Wellington		

II

Buckner		California	Cole Camp	
Holden	Holt		Lake Lotawana	
Lexington	Lone Jack	Mound City	Newburg	
	Richland	Russellville	Sweet Springs	
Tarkio	Tipton	Weston	Windsor	

III

Butler	Clinton	Ferrelview	Ft. Leonard Wood	
Harrisonville	Kearney	Lebanon	Maryville	(T)
Oak Grove	Odessa	Platte City	Pleasant Hill	
St. Robert	Salem	Warrensburg	Warsaw	
Waynesville				

IV

Jefferson City	Rolla			(T)
----------------	-------	--	--	-----

* See Section 16.X for list of competitive exchanges. (N)

(D)

(D)

ISSUED:
October 20, 2005

Cancelled
June 30, 2007
Missouri Public
Service Commission

BY: Richard D. Lawson
State Executive, External Affairs
319 Madison
Jefferson City, MO 65101

EFFECTIVE:
November 20, 2005

Filed
Missouri Public
Service Commission

REC'D APR 01 2004

P.S.C. MO.-No. 22 Section 16

GENERAL EXCHANGE TARIFF

Service Commission

SPRINT MISSOURI, INC.
d/b/a SPRINT

Fifth Revised Page 2
Cancels Fourth Revised Page 2

LOCAL EXCHANGE SERVICE RATE GROUPS

I. ACCESS LIMITS AND EXCHANGES BY RATE GROUPS: (Cont'd)

B. EXCHANGES IN EACH RATE GROUP IN "A" ABOVE

I

Appleton City	Blackburn	Blairstown	Brazito	
Calhoun	Camden Point	Centertown	Centerview	
Chilhowee	Clarksburg	Coal	Craig	
Dearborn	Deepwater	Edgerton	Eugene	
Fairfax	Green Ridge	Hardin	Henrietta	
	Hopkins	Houstonia	Ionia	
King City	Kingsville	Leeton	Lincoln	
Malta Bend	Missouri City	Montrose	New Bloomfield	
	Norborne*	Orrick	Otterville	(T)
Pickering	St. Thomas	Smithton	Strasburg	
	Syracuse	Taos		
Urish	Waverly	Wellington		

II

Buckner		California	Cole Camp
Holden	Holt		Lake Lotawana
Lexington	Lone Jack	Mound City	Newburg
	Richland	Russellville	Sweet Springs
Tarkio	Tipton	Weston	Windsor

III

Butler	Clinton	Ferrelview	Ft. Leonard Wood	
Harrisonville	Keamey*	Lebanon	Maryville	(T)
Oak Grove	Odessa	Platte City	Pleasant Hill	
St. Robert	Salem	Warrensburg	Warsaw	
Waynesville				

IV

Jefferson City	Rolla*			(T)
----------------	--------	--	--	-----

CANCELLED

NOV 20 2005

By: *Leah RS 2*
Public Service Commission
MISSOURI

* Competitive Service Classification pursuant to MO PSC Order of December 4, 2003, in Case No. IO-2003-0281. (N)
(N)

ISSUED:
April 1, 2004

BY: Richard D. Lawson
State Executive, External Affairs
319 Madison
Jefferson City, MO 65101

EFFECTIVE:
May 1, 2004

Missouri Public
Service Commission

FILED MAY 01 2004

GENERAL EXCHANGE TARIFF

SPRINT MISSOURI, INC.
d/b/a SPRINT

Fourth Revised Page 2
Cancels Third Revised Page 2

LOCAL EXCHANGE SERVICE RATE GROUPS

RECEIVED

I. ACCESS LIMITS AND EXCHANGES BY RATE GROUPS: (Cont'd)

JAN 31 2001

B. EXCHANGES IN EACH RATE GROUP IN "A" ABOVE

MISSOURI
Public Service Commission

<u>I</u>			
Appleton City	Blackburn	Blairstown	Brazito
Calhoun	Camden Point	Centertown	Centerview
Chilhowee	Clarksburg	Coal	Craig
Dearborn	Deepwater	Edgerton	Eugene
Fairfax	Green Ridge	Hardin	Henrietta
	Hopkins	Houstonia	Ionia
King City	Kingsville	Leeton	Lincoln
Malta Bend	Missouri City	Montrose	New Bloomfield
	Norborne	Orrick	Otterville (NR)
Pickering	St. Thomas	Smithton	Strasburg (NR)
	Syracuse	Taos	
Urich	Waverly	Wellington	

<u>II</u>			
Buckner		California	
Holden	Holt		Cole Camp (NR)
Lexington	Lone Jack	Mound City	Lake Lotawana (NR)
	Richland	Russellville	Newburg (NR)
Tarkio	Tipton	Weston	Sweet Springs (NR)
			Windsor (NR)

<u>III</u>			
Butler	Clinton	Ferrelview	Ft. Leonard Wood (NR)
Harrisonville	Kearney	Lebanon	Maryville (NR)
Oak Grove	Odessa	Platte City	Pleasant Hill (NR)
St. Robert	Salem	Warrensburg	Warsaw (NR)
Waynesville			

<u>IV</u>			
Jefferson City	Rolla		(NR)

CANCELLED

FILED

MAY 01 2004
by SHOS2
Public Service Commission
MISSOURI

MAR 07 2001

MISSOURI
Public Service Commission

ISSUED:
January 31, 2001

BY: Richard D. Lawson
State Executive, External Affairs
319 Madison
Jefferson City, MO 65101

EFFECTIVE:
March 9, 2001

MAR 07 2001

P.S.C. MO.-No. 22 Section 16
GENERAL EXCHANGE TARIFF

SPRINT MISSOURI, INC.
d/b/a SPRINT

Third Revised Page 2
Cancels Second Revised Page 2

LOCAL EXCHANGE SERVICE RATE GROUPS

RECEIVED

I. ACCESS LIMITS AND EXCHANGES BY RATE GROUPS: (Cont'd)

DEC 17 1997

B. EXCHANGES IN EACH RATE GROUP IN "A" ABOVE

MISSOURI
Public Service Commission

<u>I</u>			
Appleton City	Blackburn	Blairstown	Brazito
Calhoun	Camden Point	Centertown	Centerview
Chilhowee	Clarksburg	Coal	Craig
Dearborn	Deepwater	Edgerton	Eugene
Fairfax	Green Ridge	Hardin	Henrietta
	Hopkins	Houstonia	Ionia (MT)
King City	Kingsville	Leeton	Lincoln
Malta Bend	Missouri City	Montrose	New Bloomfield
Newburg	Norborne	Orrick	Otterville
Pickering	St. Thomas	Smithton	Strasburg
Sweet Springs	Syracuse	Taos	Tarkio
Urich	Waverly	Wellington	
<u>II</u>			
Buckner	Butler	California	Cole Camp
Holden	Holt		Lake Lotawana (AT)(MT)
Lexington	Lone Jack	Mound City	Platte City (MT)
Pleasant Hill	Richland	Russellville	
Tipton	Waynesville	Weston	Windsor
<u>III</u>			
Clinton	Ferrelview	Ft. Leonard Wood	Harrisonville
Kearney	Lebanon	Maryville	Oak Grove (AT)
Odessa	Rolla	St. Robert	Salem (AT)
Warrensburg	Warsaw		
<u>IV</u>			
Jefferson City			

CANCELLED

MAR 07 2001

BY 4th R P 2
Public Service Commission
MISSOURI

FILED

JAN 16 1998

MO. PUBLIC SERVICE COMMISSION

ISSUED:
December 17, 1997

BY: John L. Roe
VP - Carrier and Regulatory Services
5454 West 110th Street
Overland Park, Kansas 66211

EFFECTIVE:
January 16, 1998

GENERAL EXCHANGE TARIFF

UNITED TELEPHONE COMPANY
OF MISSOURI d/b/a SPRINT

Second Revised Page 2
Cancels First Revised Page 2

LOCAL EXCHANGE SERVICE RATE GROUPS

RECEIVED

I. ACCESS LIMITS AND EXCHANGES BY RATE GROUPS: (Cont'd)

Jan - 8 1997

B. EXCHANGES IN EACH RATE GROUP IN "A" ABOVE

MISSOURI
Public Service Commission

I

Appleton City	Blackburn	Blairstown	Brazito	
Calhoun	Camden Point	Centertown	Centerview	
Chilhowee	Clarksburg	Coal	Craig	
Dearborn	Deepwater	Edgerton	Eugene	
Fairfax	Green Ridge	Hardin	Henrietta	
Holt	Hopkins	Houstonia	Ionia	
King City	Kingsville	Leeton	Lincoln	
Malta Bend	Missouri City	Montrose	New Bloomfield	
Newburg	Norborne	Orrick	Otterville	
Pickering		St. Thomas	Smithton	(MT)
Strasburg	Sweet Springs	Syracuse	Taos	
Tarkio		Urich	Waverly	(MT)
Wellington				

II

Buckner	Butler	California	Cole Camp	
Holden	Kearney	Lake Lotawana	Lexington	
Lone Jack	Mound City		Platte City	(MT)
Pleasant Hill	Richland	Russellville	St. Robert	(AT)
Tipton	Waynesville	Weston	Windsor	(AT)

III

Clinton	Ferrelview	Ft. Leonard Wood	Harrisonville	
Lebanon	Maryville	Oak Grove	Odessa	(AT)
Rolla	Salem	Warrensburg	Warsaw	

IV

Jefferson City

CANCELLED

FILED

JAN 16 1998

FEB 10 1997

By 3rd PS #2
Public Service Commission
MISSOURI

MO. PUBLIC SERVICE COMM

ISSUED:
January 8, 1997

BY: John L. Roe
Vice President - Carrier & Regulatory Services
5454 West 110th Street
Overland Park, Kansas 66211

EFFECTIVE:
February 10, 1997

GENERAL EXCHANGE TARIFF

UNITED TELEPHONE COMPANY
OF MISSOURI

First Revised Page 2
Cancels Original Page 2

LOCAL EXCHANGE SERVICE RATE GROUPS

RECEIVED

I. ACCESS LIMITS AND EXCHANGES BY RATE GROUPS: (Cont'd)

FEB 03 1994

B. EXCHANGES IN EACH RATE GROUP IN "A" ABOVE

MISSOURI
Public Service Commission

I

Appleton City
Calhoun
Chilhowee
Dearborn
Fairfax
Holt
King City
Malta Bend
Newburg
Pickering
Strasburg
Tarkio
Wellington

Blackburn
Camden Point
Clarksburg
Deepwater
Green Ridge
Hopkins
Kingsville
Missouri City
Norborne
Russellville
Sweet Springs
Tipton

Blairstown
Centertown
Coal
Edgerton
Hardin
Houstonia
Leeton
Montrose
Orrick
St. Thomas
Syracuse
Urich

Brazito
Centerview
Craig
Eugene
Henrietta
Ionia
Lincoln
New Bloomfield
Otterville
Smithton
Taos
Waverly

(MT)

(MT)

II

Buckner
Holden
Lone Jack
Pleasant Hill
Weston

Butler
Kearney
Mound City
Richland
Windsor

California
Lake Lotawana
Odessa
St. Robert

Cole Camp
Lexington
Platte City
Waynesville

(MT)

(MT)

III

Clinton
Lebanon
Salem

Ferrelview
Maryville
Warrensburg

Ft. Leonard Wood
Oak Grove
Warsaw

Harrisonville
Rolla

(MT)

(MT)

Jefferson City

CANCELLED

FEB 10 1997
BY: *2nd R. S. #2*
Public Service Commission
MISSOURI

FILED

FEB 21 1994
94 - 237
MISSOURI
Public Service Commission

ISSUED:
February 3, 1994

BY: John L. Roe
Vice President - Administration
5454 West 110th Street
Overland Park, Kansas 66211

EFFECTIVE:

~~March 5, 1994~~
FEB 21 1994

GENERAL EXCHANGE TARIFF

UNITED TELEPHONE COMPANY
OF MISSOURI

Original Page 2
RECEIVED

LOCAL EXCHANGE SERVICE RATE GROUPS

SEP 17 1992

MISSOURI
Public Service Commission

I. ACCESS LIMITS AND EXCHANGES BY RATE GROUPS: (Cont'd)

B. EXCHANGES IN EACH RATE GROUP IN "A" ABOVE

I

Appleton City	Brazito	Calhoun	Blackburn
Blairstown	Centerview	Chilhowee	Camden Point
Centertown	Craig	Dearborn	Clarksburg
Coal	Eugene	Fairfax	Deepwater
Edgerton	Henrietta	Holt	Green Ridge
Hardin	Ionia	King City	Hopkins
Houstonia	Lincoln	New Bloomfield	Kingsville
Leeton	Montrose	Otterville	Malta Bend
Missouri City	Orrick	St. Thomas	Newburg
Norborne	Russellville	Syracuse	Smithton
Pickering	Sweet Springs	Urich	Taos
Strasburg	Tipton		Waverly
Tarkio	Weston		
Wellington			

II

Buckner	Butler	California	Cole Camp
Ferrelview	Ft. Leonard Wood	Holden	Kearney
Lake Lotawana	Lexington	Lone Jack	Mound City
Oak Grove	Odessa	Platte City	Pleasant Hill
Richland	St. Robert	Waynesville	Windsor

III

Clinton	Harrisonville	Lebanon	Maryville
Rolla	Salem	Warrensburg	Warsaw

IV

Jefferson City

CANCELLED

FEB 21 1994
BY *1st P.S. #2*
Public Service Commission
MISSOURI

FILED

NOV 7 1992

MO. PUBLIC SERVICE COMM.

EFFECTIVE:

~~October 17, 1992~~
NOV 7 1992

ISSUED:
September 17, 1992

BY: John L. Roe
Vice President - Administration
5454 West 110th Street
Overland Park, Kansas 66211

GENERAL EXCHANGE TARIFF

Embarq Missouri, Inc.
d/b/a CenturyLink

Sixth Revised Page 3
Cancels Fifth Revised Page 3

LOCAL EXCHANGE SERVICE

I. STATEWIDE SCHEDULE OF RATES FOR FLAT RATE SERVICE BY EXCHANGE AND CLASSIFICATION OF SERVICE (Cont'd)

<u>EXCHANGE</u>	<u>RESIDENCE</u>		<u>BUSINESS</u>	
	<u>Individual Line</u>	<u>Trunk</u>	<u>Individual Line</u>	<u>Trunk</u>
Pickering	\$20.00	\$22.00	\$23.50	\$34.00
Platte City	20.00	33.68	23.50	34.00
Pleasant Hill	20.00	28.38	23.50	34.00
Richland	20.00	20.00	23.50	34.00
Rolla	20.00	20.00 (R)	22.00	34.00
Russellville	20.00	22.76	23.50	34.00
St. Robert	20.00	33.68	23.50	34.00
St. Thomas	20.00	22.00	23.05	34.00
Salem	20.00	20.00 (R)	23.50	34.00
Smithton	20.00	20.00	23.05	34.00
Strasburg	20.00	20.00	23.05	34.00
Sweet Springs	20.00	20.00	23.50	34.00
Syracuse	20.00	20.00	23.05	34.00
Taos	20.00	22.00	23.05	34.00
Tarkio	20.00	20.00	23.50	34.00
Tipton	20.00	20.00	23.50	34.00
Urich	20.00	20.00	23.50	34.00
Warrensburg	20.00	20.00	23.50	34.00
Warsaw	20.00	22.00	23.50	34.00
Waverly	20.00	20.00	23.50	34.00
Waynesville	20.00	33.68	23.50	34.00
Wellington	20.00	20.00	23.50	34.00
Weston	20.00	20.00 (R)	23.50	34.00
Windsor	20.00	20.00	23.50	34.00

(1)

(1)

ISSUED:
July 31, 2014

BY: Darlene N. Terry
Manager - Tariffs
5454 West 110th Street
Overland Park, KS 66211

EFFECTIVE:
September 1, 2014

MO 14-08

GENERAL EXCHANGE TARIFF

Embarq Missouri, Inc.
d/b/a CenturyLink

Fifth Revised Page 3
Cancels Fourth Revised Page 3

LOCAL EXCHANGE SERVICE

I. STATEWIDE SCHEDULE OF RATES FOR FLAT RATE SERVICE BY EXCHANGE AND CLASSIFICATION OF SERVICE (Cont'd)

<u>EXCHANGE</u>	<u>RESIDENCE</u>		<u>BUSINESS</u>	
	<u>Individual Line</u>	<u>Trunk</u>	<u>Individual Line</u>	<u>Trunk</u>
Pickering	\$19.00 (1)	\$22.00 (1)	\$23.50 (1)	\$34.00
Platte City	19.00	33.68	23.50	34.00
Pleasant Hill	19.00	28.38	23.50	34.00
Richland	19.00	19.00 (1)	23.50 (1)	34.00
Rolla	19.00	33.68	22.00	34.00
Russellville	19.00	22.76	23.50 (1)	34.00
St. Robert	19.00	33.68	23.50	34.00
St. Thomas	19.00	22.00 (1)	23.05	34.00
Salem	19.00	21.05	23.50	34.00
Smithton	18.00	19.00 (1)	23.05	34.00
Strasburg	18.00	19.00	23.05	34.00
Sweet Springs	19.00	19.00	23.50	34.00
Syracuse	18.00	19.00	23.05	34.00
Taos	19.00	22.00	23.05	34.00
Tarkio	19.00	19.00	23.50	34.00
Tipton	19.00	19.00	23.50	34.00
Urich	18.00	19.00 (1)	23.50	34.00
Warrensburg	19.00	19.77	23.50	34.00
Warsaw	19.00	22.00 (1)	23.50	34.00
Waverly	18.00	19.00 (1)	23.50	34.00
Waynesville	19.00	33.68	23.50	34.00
Wellington	18.00	19.00 (1)	23.50	34.00
Weston	19.00	28.38	23.50	34.00
Windsor	19.00 (1)	19.00 (1)	23.50 (1)	34.00

ISSUED:
December 1, 2011

BY: Darlene N. Terry
Manager - Tariffs
5454 W. 110th Street
Overland Park, Kansas 66211

EFFECTIVE:
January 1, 2012

CANCELLED
September 1, 2014
Missouri Public
Service Commission
JI-2015-0040

Filed
Missouri Public
Service Commission
JI-2012-0253

GENERAL EXCHANGE TARIFF

Embarq Missouri, Inc.
d/b/a CenturyLink

Fourth Revised Page 3
Cancels Third Revised Page 3

LOCAL EXCHANGE SERVICE

I. STATEWIDE SCHEDULE OF RATES FOR FLAT RATE SERVICE BY EXCHANGE AND CLASSIFICATION OF SERVICE (Cont'd)

<u>EXCHANGE</u>	<u>RESIDENCE</u>		<u>BUSINESS</u>	
	<u>Individual Line</u>	<u>Trunk</u>	<u>Individual Line</u>	<u>Trunk</u>
Pickering	\$18.00	\$21.27	\$22.00	\$34.00
Platte City	18.00	33.68	22.00	34.00
Pleasant Hill	18.00	28.38	22.00	34.00
Richland	17.29 (1)	18.97	22.00	34.00
Rolla	18.00	33.68	22.00	34.00
Russellville	18.00	22.76	22.00	34.00
St. Robert	18.00	33.68	22.00	34.00
St. Thomas	18.00	21.27	22.00	34.00
Salem	18.00 (1)	21.05	22.00	34.00
Smithton	16.72	17.62	22.00	34.00
Strasburg	16.72	17.62	22.00	34.00
Sweet Springs	17.29	18.97	22.00	34.00
Syracuse	16.72 (1)	17.62	22.00	34.00
Taos	18.00	21.27	22.00	34.00
Tarkio	17.29 (1)	18.97	22.00	34.00
Tipton	17.29	18.97	22.00	34.00
Urich	16.72	17.62	22.00	34.00
Warrensburg	18.00	19.77	22.00	34.00
Warsaw	18.00	21.05	22.00	34.00
Waverly	16.72 (1)	17.62	22.00	34.00
Waynesville	18.00	33.68	22.00	34.00
Wellington	16.72 (1)	17.62	22.00	34.00
Weston	18.00	28.38	22.00	34.00
Windsor	17.29 (1)	18.97	22.00	34.00

ISSUED:
January 7, 2011

BY: Darlene N. Terry
Manager - Tariffs
5454 W. 110th Street
Overland Park, Kansas 66211

EFFECTIVE:
February 1, 2011

CANCELLED
January 01, 2012
Missouri Public
Service Commission
JI-2012-0253

FILED
Missouri Public
Service Commission
JI-2011-0347

GENERAL EXCHANGE TARIFF

Embarq Missouri, Inc.
d/b/a Embarq

Third Revised Page 3 (C)
Cancels Second Revised Page 3 (C)

LOCAL EXCHANGE SERVICE (C)

I. STATEWIDE SCHEDULE OF RATES FOR FLAT RATE SERVICE BY EXCHANGE AND CLASSIFICATION OF SERVICE (Cont'd) (D)
(N)

<u>EXCHANGE</u>	<u>RESIDENCE</u>		<u>BUSINESS</u>	
	<u>Individual Line</u>	<u>Trunk</u>	<u>Individual Line</u>	<u>Trunk</u>
Pickering	\$18.00 (I)	\$21.27 (I)	\$22.00 (R)	\$34.00 (I)
Platte City	18.00	33.68 (I)	22.00 (R)	34.00
Pleasant Hill	18.00	28.38 (R)	22.00 (I)	34.00
Richland	15.29	18.97 (I)	22.00 (I)	34.00
Rolla	18.00	33.68 (R)	22.00 (R)	34.00 (I)
Russellville	18.00	22.76 (I)	22.00 (R)	34.00 (R)
St. Robert	18.00	33.68 (R)	22.00 (R)	34.00 (R)
St. Thomas	18.00	21.27 (I)	22.00 (R)	34.00 (R)
Salem	16.15	21.05	22.00 (I)	34.00 (I)
Smithton	14.72	17.62	22.00	34.00
Strasburg	14.72	17.62	22.00	34.00
Sweet Springs	15.29	18.97	22.00	34.00
Syracuse	14.72	17.62	22.00 (I)	34.00
Taos	18.00	21.27	22.00 (R)	34.00
Tarkio	15.29	18.97	22.00 (I)	34.00
Tipton	15.29	18.97	22.00	34.00
Urich	14.72	17.62	22.00	34.00
Warrensburg	16.25	19.77	22.00	34.00
Warsaw	16.15	21.05	22.00	34.00
Waverly	14.72	17.62 (I)	22.00 (I)	34.00 (I)
Waynesville	18.00	33.68 (R)	22.00 (R)	34.00 (R)
Wellington	14.72	17.62 (I)	22.00 (I)	34.00 (I)
Weston	17.00	28.38	22.00	34.00
Windsor	15.29 (I)	18.97 (I)	22.00 (I)	34.00 (I)

ISSUED:
January 20, 2009

BY: Darlene N. Terry
Manager - Tariffs
5454 W. 110th Street
Overland Park, Kansas 66211

EFFECTIVE:
February 1, 2009

CANCELLED
February 1, 2011
Missouri Public
Service Commission
JI-2011-0347

FILED
Missouri Public
Service Commission
JI-2009-0528

P.S.C. MO.-No. 22 Section 16
GENERAL EXCHANGE TARIFF

SPRINT MISSOURI, INC.
d/b/a SPRINT

Second Revised Page 3
Cancels First Revised Page 3

LOCAL EXCHANGE SERVICE RATE GROUPS

RESERVED FOR FUTURE FILING

(DR)

(DR)

ISSUED:
January 31, 2001

BY: Richard D. Lawson
State Executive, External Affairs
319 Madison
Jefferson City, MO 65101

EFFECTIVE:
March 7, 2001

CANCELLED
February 1, 2009
Missouri Public
Service Commission
JI-2009-0528

Filed
Missouri Public
Service Commission

GENERAL EXCHANGE TARIFF

UNITED TELEPHONE COMPANY
OF MISSOURI

First Revised Page 3
Cancels Original Page 3

RECEIVED

LOCAL EXCHANGE SERVICE RATE GROUPS

NOV 2 1993

I. ACCESS LIMITS AND EXCHANGES BY RATE GROUPS: (Cont'd)

C. SERVICE UPGRADING

MO. PUBLIC SERVICE COMM.

At exchanges where facilities permit, Four-Party Business/Residence service will not be offered to customers requesting new telephone service or to customers requesting a change in their existing telephone service.

(CT)

Exchanges in which facilities permit the exclusive provision of One-Party service for all customers within an exchange will be designated as such on the Local Exchange Service Rate Group tariff sheets.

Those exchanges in which facilities permit the exclusive provision of one-party service for all customers within a designated area will be identified as approved by the Missouri Public Service Commission on the Local Exchange rate group tariff sheet for that exchange. Existing four-party customers will be allowed to continue their service until such time as they are upgraded by the company. At the time the customer's four-party service is upgraded to one-party service, the application of normal service connection charges will not apply.

The four-party conversion will consist of the following:

- a. The Company will remove the tip party identifier, change the customer to a new cable pair, and/or if required, change out the ringer and/or instrument. The customer will not be charged for a premise visit or for an instrument modification when required.
- b. As the Company completes upgrading, as shown on the approved Local Exchange Service Rate Group tariff sheets, only One-Party Business and One-Party Residence service will be available. One-Party rates will be applied effective with the customer's next billing date.

(CT)

CANCELLED

MAR 07 2001
2nd RP3
Public Service Commission
MISSOURI

FILED

NOV 7 1993
93-181
MO. PUBLIC SERVICE COMM.

ISSUED:
November 3, 1993

BY: John L. Roe
Vice President - Administration
5454 West 110th Street
Overland Park, Kansas 66211

EFFECTIVE:
November 7, 1993

GENERAL EXCHANGE TARIFF

UNITED TELEPHONE COMPANY
OF MISSOURI

Original Page 3
RECEIVED

LOCAL EXCHANGE SERVICE RATE GROUPS

SEP 17 1992

I. ACCESS LIMITS AND EXCHANGES BY RATE GROUPS: (Cont'd)

MISSOURI
Public Service Commission

C. SERVICE UPGRADING

1. Business four-party service within the initial rate area will be eliminated as facilities become available. Customers with this service will be upgraded to one-party service.
2. Upgrading of facilities, as set forth above, will be accomplished at the option of the Telephone Company, on a line by line basis, as facilities are available.
3. As customers are regraded, the rate applicable for the service provided will be applied effective with the customer's next billing date.
4. When the Telephone Company initiates the regrade activity, the normal regrade service connection charges shall be waived.

CANCELLED

NOV 7 1993
BY *1st R.S. #3*
Public Service Commission
MISSOURI

FILED

NOV 7 1992

MO. PUBLIC SERVICE COMM.

EFFECTIVE:

~~October 17, 1992~~

NOV 7 1992

ISSUED:
September 17, 1992

BY: John L. Roe
Vice President - Administration
5454 West 110th Street
Overland Park, Kansas 66211

GENERAL EXCHANGE TARIFF

Embarq Missouri, Inc.
d/b/a Embarq

Twentieth Revised Page 4
Cancels Nineteenth Revised Page 4

LOCAL EXCHANGE SERVICE

(C)

II. EXTENDED AREA SERVICE

(D)(M)(T)

An arrangement whereby customers in one exchange can call customers in another exchange at the Local Exchange Service Rate.

Extended Area Service is provided between the following exchanges.

<u>FROM</u>	<u>TO</u>
Brazito	Centertown, Eugene, Jefferson City, New Bloomfield, Russellville, St. Thomas, and Taos
Centertown	(same as Brazito)
Centerview	Warrensburg
Clinton	Coal
Coal	Clinton
Cole Camp	Ionia
Eugene	(same as Brazito)
Ferrelview	Kansas City Metro Area (SWB), Platte City, Smithville (SWB)
Fort Leonard Wood	St. Robert, Waynesville
Holden	Kingsville
Ionia	Cole Camp
Jefferson City	(same as Brazito)
Kingsville	Holden
Lake Lotawana	Lee's Summit (SWB), Blue Springs (SWB)
Maryville	Pickering

(D)

(M)

(D)

(M) Material now appearing on this page was previously found on Fourth Revised Page 16.

ISSUED:
January 20, 2009

BY: Darlene N. Terry
Manager - Tariffs
5454 W. 110th Street
Overland Park, Kansas 66211

EFFECTIVE:
February 1, 2009

GENERAL EXCHANGE TARIFF

Embarq Missouri, Inc.
d/b/a Embarq

Nineteenth Revised Page 4
Cancels Eighteenth Revised Page 4

LOCAL EXCHANGE SERVICE RATE GROUPS

II. STATEWIDE SCHEDULE OF RATES BY RATE GROUPS

All monthly local exchange rates include Touch Tone Service.

RATE GROUPS

 I II III IV

A. BUSINESS

One-Party

Ferrelview			\$20.99	
Jefferson City				\$22.31
Kearney			\$20.99	
Lebanon			\$20.51	
Norborne	\$18.40			
Platte City			\$20.99	
Rolla				\$22.79
St. Robert			\$20.99	
Waynesville			\$20.99	
All Other Exchanges	\$18.32	\$19.44	\$20.96	\$22.80

(T)

(T)

(I)

Trunk

\$25.73 \$28.24 \$31.68 \$35.59

(M)

(M)

For EAS additives (where applicable) SEE EAS ADDITIVES IN III.A of this tariff.

(M) Material previously appearing on this page now appears on Original Page 4.1.

ISSUED:
December 3, 2007

BY: Darlene N. Terry
Manager - Tariffs
5454 W. 110th Street
Overland Park, Kansas 66211

EFFECTIVE:
January 30, 2008

CANCELLED
February 1, 2009
Missouri Public
Service Commission
JI-2009-0528

FILED
Missouri Public
Service Commission

GENERAL EXCHANGE TARIFF

Embarq Missouri, Inc.
d/b/a Embarq

Eighteenth Revised Page 4
Cancels Seventeenth Revised Page 4

LOCAL EXCHANGE SERVICE RATE GROUPS

II. STATEWIDE SCHEDULE OF RATES BY RATE GROUPS

All monthly local exchange rates include Touch Tone Service.

RATE GROUPS

I II III IV

A. BUSINESS

One-Party

Ferrelview			\$20.99	
Kearney			\$20.99	
Norborne	\$18.40			
Platte City			\$20.99	
Rolla				\$22.79
St. Robert			\$20.99	
Waynesville			\$20.99	
All Other Exchanges	\$17.92	\$19.02	\$20.51	\$22.31

(T)

(T)

Trunk \$25.73 \$28.24 \$31.68 \$35.59

B. RESIDENCE

One-Party \$12.45 \$13.00 \$13.84 \$14.64

(T)

Trunk \$14.88 \$16.30 \$18.15 \$20.46

For EAS additives (where applicable) SEE EAS ADDITIVES IN III.A of this tariff.

(D)

(D)

ISSUED:
August 2, 2007

BY: Darlene N. Terry
Manager - Tariffs
5454 W. 110th Street
Overland Park, Kansas 66211

EFFECTIVE:
September 1, 2007

CANCELLED
January 30, 2008
Missouri Public
Service Commission

FILED
Missouri Public
Service Commission

GENERAL EXCHANGE TARIFF

EMBARQ MISSOURI, INC.
d/b/a EMBARQ

Seventeenth Revised Page 4
Cancels Sixteenth Revised Page 4

LOCAL EXCHANGE SERVICE RATE GROUPS

II. STATEWIDE SCHEDULE OF RATES BY RATE GROUPS

All monthly local exchange rates include Touch Tone Service.

A. <u>BUSINESS</u>	<u>RATE GROUPS</u>				
	<u>I</u>	<u>II</u>	<u>III</u>	<u>IV</u>	
One Party					
Non-Competitive Exchanges	\$17.92	\$19.02	\$20.51	\$22.31	
Competitive Exchanges					
Group A*	N/A	N/A	\$20.51	\$22.31	(CT)
Group B*	\$18.40	N/A	\$20.99	\$22.79	(CT)
Trunk	\$25.73	\$28.24	\$31.68	\$35.59	
B. <u>RESIDENCE</u>					
One-Party					
Non-Competitive Exchanges	\$12.45	\$13.00	\$13.84	\$14.64	
Competitive Exchanges					
Group A*	\$12.45	\$13.00	\$13.84	\$14.64	(CT)
Group B*	\$12.45	\$13.00	\$13.84	\$14.64	(CT)
Trunk	\$14.88	\$16.30	\$18.15	\$20.46	

For EAS additives (where applicable) SEE EAS ADDITIVES IN III.A of this tariff.

* **Competitive Exchange Group classifications may vary between residence and business services. See Section 16.X, Page 23 for a complete listing of Competitive Exchanges.** (AT)
(AT)

ISSUED:
June 29, 2006

BY: Chad Eckhart
Vice President – Regulatory Affairs
6450 Sprint Parkway
Overland Park, KS 66251

EFFECTIVE:
July 31, 2006

CANCELLED
September 1, 2007
Missouri Public
Service Commission

IO-2006-0551

Filed
Missouri Public
Service Commission

GENERAL EXCHANGE TARIFF

SPRINT MISSOURI, INC.
d/b/a SPRINT

Sixteenth Revised Page 4
Cancels Fifteenth Revised Page 4

LOCAL EXCHANGE SERVICE RATE GROUPS

II. STATEWIDE SCHEDULE OF RATES BY RATE GROUPS

All monthly local exchange rates include Touch Tone Service.

A. <u>BUSINESS</u>	<u>RATE GROUPS</u>				
	<u>I</u>	<u>II</u>	<u>III</u>	<u>IV</u>	
One Party					
Non-Competitive Exchanges	\$17.92	\$19.02	\$20.51	\$22.31	
Competitive Exchanges					
Jefferson City	N/A	N/A	N/A	\$22.31	(CT)
All Other Exchanges	\$18.40	N/A	\$20.99	\$22.79	(N)
					(CT)
Trunk	\$25.73	\$28.24	\$31.68	\$35.59	
B. <u>RESIDENCE</u>					
One-Party					
Non-Competitive Exchanges	\$12.45	\$13.00	\$13.84	\$14.64	
Competitive Exchanges	\$12.45	\$13.00	\$13.84	\$14.64	
Trunk	\$14.88	\$16.30	\$18.15	\$20.46	

For EAS additives (where applicable) SEE EAS ADDITIVES IN III.A of this tariff.

ISSUED:
March 31, 2006

BY: Chad Eckhart
Vice President – Regulatory Affairs
6450 Sprint Parkway
Overland Park, KS 66251

EFFECTIVE:
May 1, 2006

Cancelled

July 31, 2006
Missouri Public
Service Commission

TO-2006-0375

Filed

Missouri Public
Service Commission

GENERAL EXCHANGE TARIFF

SPRINT MISSOURI, INC.
d/b/a SPRINT

Fifteenth Revised Page 4
Cancels Fourteenth Revised Page 4

LOCAL EXCHANGE SERVICE RATE GROUPS

II. STATEWIDE SCHEDULE OF RATES BY RATE GROUPS

All monthly local exchange rates include Touch Tone Service.

A. BUSINESS

RATE GROUPS

	I	II	III	IV
One Party				
Non-Competitive Exchanges	\$17.92	\$19.02	\$20.51	\$22.31
Competitive Exchanges	\$18.40	N/A	\$20.99	\$22.79
Trunk	\$25.73	\$28.24	\$31.68	\$35.59

B. RESIDENCE

One-Party

Non-Competitive Exchanges	\$12.45	\$13.00	\$13.84	\$14.64
Competitive Exchanges	\$12.45	\$13.00	\$13.84	\$14.64

(CT)

Trunk	\$14.88	\$16.30	\$18.15	\$20.46
-------	---------	---------	---------	---------

For EAS additives (where applicable) SEE EAS ADDITIVES IN III.A of this tariff.

ISSUED:
January 27, 2006

BY: Chad Eckhart
Vice President – Regulatory Affairs
6450 Sprint Parkway
Overland Park, KS 66251

EFFECTIVE:
February 26, 2006

Cancelled

May 1, 2006
Missouri Public
Service Commission

Filed

Missouri Public
Service Commission

GENERAL EXCHANGE TARIFF

SPRINT MISSOURI, INC.
d/b/a SPRINT

Fourteenth Revised Page 4
Cancels Thirteenth Revised Page 4

LOCAL EXCHANGE SERVICE RATE GROUPS

II. STATEWIDE SCHEDULE OF RATES BY RATE GROUPS

Cancelled

February 26, 2006

All monthly local exchange rates include Touch Tone Service.

Public Service Commission
MISSOURI

A. BUSINESS

RATE GROUPS

	I	II	III	IV	
One Party					
Non-Competitive Exchanges	\$17.92	\$19.02	\$20.51	\$22.31	(R)
Competitive Exchanges	\$18.40	N/A	\$20.99	\$22.79	(CT)
					(D)
					(D)
Trunk	\$25.73	\$28.24	\$31.68	\$35.59	

B. RESIDENCE

One-Party					
Non-Competitive Exchanges	\$12.45	\$13.00	\$13.84	\$14.64	(R)
Competitive Exchanges	\$12.45	N/A	\$13.84	\$14.64	(CT)
					(D)
					(D)
Trunk	\$14.88	\$16.30	\$18.15	\$20.46	

For EAS additives (where applicable) SEE EAS ADDITIVES IN III.A of this tariff.

ISSUED:
December 2, 2005

BY: Richard D. Lawson
State Executive, External Affairs
319 Madison
Jefferson City, MO 65101

EFFECTIVE:
January 18, 2006

GENERAL EXCHANGE TARIFF

SPRINT MISSOURI, INC.
d/b/a SPRINT

Thirteenth Revised Page 4
Cancels Twelfth Revised Page 4

LOCAL EXCHANGE SERVICE RATE GROUPS

II. STATEWIDE SCHEDULE OF RATES BY RATE GROUPS

All monthly local exchange rates include Touch Tone Service.

A. <u>BUSINESS</u>	<u>RATE GROUPS</u>				
	I	II	III	IV	
One Party					
Non-Competitive Exchanges	\$18.40	\$19.50	\$20.99	\$22.79	(R) (CT)
Competitive Exchanges					
Norborne	\$18.40				
Kearney			\$20.99		
Rolla				\$22.79	(R) (CT)
Trunk	\$25.73	\$28.24	\$31.68	\$35.59	
B. <u>RESIDENCE</u>					
One-Party					
Non-Competitive Exchanges	\$12.76	\$13.31	\$14.15	\$14.95	(R) (CT)
Competitive Exchanges					
Norborne	\$12.76				
Kearney			\$14.15		
Rolla				\$14.95	(R) (CT)
Trunk	\$14.88	\$16.30	\$18.15	\$20.46	

For EAS additives (where applicable) SEE EAS ADDITIVES IN III.A of this tariff.

CANCELLED

January 18, 2006

**MISSOURI PUBLIC
SERVICE COMMISSION**

ISSUED:
December 3, 2004

BY: Richard D. Lawson
State Executive, External Affairs
319 Madison
Jefferson City, MO 65101

EFFECTIVE:
January 18, 2005

REC'D OCT 31 2003

GENERAL EXCHANGE TARIFF

Service Commission
Twelfth Revised Page 4
Cancels Eleventh Revised Page 4

SPRINT MISSOURI, INC.
d/b/a SPRINT

LOCAL EXCHANGE SERVICE RATE GROUPS

II. STATEWIDE SCHEDULE OF RATES BY RATE GROUPS

All monthly local exchange rates include Touch Tone Service.

A. BUSINESS

RATE GROUPS

	I	II	III	IV	
One-Party	\$18.80	\$19.90	\$21.39	\$23.19	(R)
Trunk	\$25.73	\$28.24	\$31.68	\$35.59	(I)

B. RESIDENCE

One-Party	\$13.02	\$13.57	\$14.41	\$15.21	(R)
Trunk	\$14.88	\$16.30	\$18.15	\$20.46	(I)

For EAS additives (where applicable) SEE EAS ADDITIVES IN III.A of this tariff.

CANCELLED
JAN 18 2005
By *BWRS 4*
Public Service Commission
MISSOURI

ISSUED:
October 31, 2003

BY: Richard D. Lawson
State Executive, External Affairs
319 Madison
Jefferson City, MO 65101

EFFECTIVE

JAN 17 2004

Missouri Public
Service Commission
IT-2004-0225
FILED JAN 17 2004

REC'D SEP 02 2003

P.S.C. MO.-No. 22 Section 16

GENERAL EXCHANGE TARIFF

Service Commission

Eleventh Revised Page 4
Cancels Tenth Revised Page 4

SPRINT MISSOURI, INC.
d/b/a SPRINT

LOCAL EXCHANGE SERVICE RATE GROUPS

II. STATEWIDE SCHEDULE OF RATES BY RATE GROUPS

All monthly local exchange rates include Touch Tone Service.

A. <u>BUSINESS</u>	<u>RATE GROUPS</u>				
	I	II	III	IV	
One-Party	\$18.81	\$19.91	\$21.40	\$23.20	(1)
Trunk	23.83	26.15	29.34	32.96	
B. <u>RESIDENCE</u>					
One-Party	13.03	13.58	14.42	15.22	(1)
Trunk	13.78	15.10	16.81	18.95	

For EAS additives (where applicable) SEE EAS ADDITIVES IN III.A of this tariff.

CANCELLED

JAN 17 2004
by lahrs4
Public Service Commission
MISSOURI

ISSUED:
August 29, 2003

Richard D. Lawson
State Executive, External Affairs
319 Madison
Jefferson City, MO 65101

EFFECTIVE:
December 18, 2003

Missouri Public
Service Commission
IT-04-134
FILED DEC 18 2003

REC'D OCT 25 2002

SPRINT MISSOURI, INC.
d/b/a SPRINT

Service Commission
Tenth Revised Page 4
Cancels Ninth Revised Page 4

LOCAL EXCHANGE SERVICE RATE GROUPS

II. STATEWIDE SCHEDULE OF RATES BY RATE GROUPS

All monthly local exchange rates include Touch Tone Service.

A. BUSINESS

RATE GROUPS

	I	II	III	IV	
One-Party	\$17.31	\$18.41	\$19.90	\$21.70	(1)
Trunk	23.83	26.15	29.34	32.96	(1)

B. RESIDENCE

One-Party	11.53	12.08	12.92	13.72	(1)
Trunk	13.78	15.10	16.81	18.95	(1)

For EAS additives (where applicable) SEE EAS ADDITIVES IN III.A of this tariff.

CANCELLED

DEC 18 2003

By 11th RS 4
Public Service Commission
MISSOURI

Missouri Public
Service Commission
17-03-0166
FILED DEC 18 2002

ISSUED:
October 25, 2002

BY: Richard D. Lawson
State Executive, External Affairs
319 Madison
Jefferson City, MO 65101

EFFECTIVE:

DEC 18 2002

REC'D DEC 27 2001

SPRINT MISSOURI, INC.
d/b/a SPRINT

Ninth Revised Page 4
Cancels Eighth Revised Page 4

LOCAL EXCHANGE SERVICE RATE GROUPS

II. STATEWIDE SCHEDULE OF RATES BY RATE GROUPS

All monthly local exchange rates include Touch Tone Service.

A. BUSINESS

RATE GROUPS

	I	II	III	IV
One-Party	\$15.81	\$16.91	\$18.40	\$20.20
Trunk	22.33	24.65	27.84	31.46

B. RESIDENCE

	I	II	III	IV
One-Party	10.03	10.58	11.42	12.22
Trunk	12.76	13.99	15.57	17.55

For EAS additives (where applicable) SEE *EAS ADDITIVES IN III.A of this tariff.*

(CT)

CANCELLED

DEC 18 2002

By 10th RSY
Public Service Commission
MISSOURI

ISSUED:
December 27, 2001

BY: Richard D. Lawson
State Executive, External Affairs
319 Madison
Jefferson City, MO 65101

EFFECTIVE:
January 26, 2002
Missouri Public

FILED JAN 26 2002
Service Commission

REC'D OCT 26 2001

GENERAL EXCHANGE TARIFF

SPRINT MISSOURI, INC.
d/b/a SPRINTService Commission
Eighth Revised Page 4
Cancels Seventh Revised Page 4

LOCAL EXCHANGE SERVICE RATE GROUPS

II. STATEWIDE SCHEDULE OF RATES BY RATE GROUPS

All monthly local exchange rates include Touch Tone Service.

A. <u>BUSINESS</u>	<u>RATE GROUPS</u>				
	I	II	III	IV	
One-Party	\$15.81	\$16.91	\$18.40	\$20.20	(CR)
Trunk	22.33	24.65	27.84	31.46	(CR)
B. <u>RESIDENCE</u>					
One-Party	10.03	10.58	11.42	12.22	(CR)
Trunk	12.76	13.99	15.57	17.55	(CR)

For EAS additives (where applicable) SEE MONTHLY RATES - RATE GROUPS I - IV.

CANCELED

JAN 26 2002
E. A. R. P. 4
Public Service Commission
MISSOURIISSUED:
October 26, 2001BY: Richard D. Lawson
State Executive, External Affairs
319 Madison
Jefferson City, MO 65101EFFECTIVE:
December 11, 2001

Missouri Public

FILED DEC 11 2001
02-251
Service Commission

GENERAL EXCHANGE TARIFF

SPRINT MISSOURI, INC.
d/b/a SPRINT

Seventh Revised Page 4
Cancels Sixth Revised Page 4
Missouri Public

LOCAL EXCHANGE SERVICE RATE GROUPS

REC'D AUG 17 2001

II. STATEWIDE SCHEDULE OF RATES BY RATE GROUPS

All monthly local exchange rates include Touch Tone Service.

Service Commission (AT)

A. BUSINESS

RATE GROUPS

	I	II	III	IV
One-Party	\$14.46	\$15.56	\$17.06	\$18.86
Trunk	20.68	22.83	25.78	29.13

B. RESIDENCE

	I	II	III	IV
One-Party	8.62	9.17	10.02	10.82
Trunk	10.95	12.00	13.35	15.05

For EAS additives (where applicable) SEE MONTHLY RATES - RATE GROUPS I - IV.

CANCELLED

DEC 11 2001
By *ZWRP4*
Public Service Commission
MISSOURI

Missouri Public

FILED SEP 17 2001

Service Commission

EFFECTIVE:
September 17, 2001

ISSUED:
August 17, 2001

BY: Richard D. Lawson
State Executive, External Affairs
319 Madison
Jefferson City, MO 65101

GENERAL EXCHANGE TARIFF

SPRINT MISSOURI, INC.
d/b/a SPRINT

Sixth Revised Page 4
Cancels Fifth Revised Page 4

RECEIVED

LOCAL EXCHANGE SERVICE RATE GROUPS

JAN 31 2001

II. STATEWIDE SCHEDULE OF RATES BY RATE GROUPS

A. BUSINESS

RATE GROUPS

MISSOURI
Public Service Commission

	I	II	III	IV	
One-Party	\$14.46	\$15.56	\$17.06	\$18.86	(DR)
Trunk	20.68	22.83	25.78	29.13	(DR)

B. RESIDENCE

One-Party	8.62	9.17	10.02	10.82	(DR)
Trunk	10.95	12.00	13.35	15.05	(DR)

For EAS additives (where applicable) SEE MONTHLY RATES - RATE GROUPS I - IV.

CANCELLED

SEP 17 2001
By *Th RP#4*
Public Service Commission
MISSOURI

(DR)
|
(DR)

FILED

MAR 07 2001

MISSOURI
Public Service Commission

ISSUED:
January 31, 2001

BY: Richard D. Lawson
State Executive, External Affairs
319 Madison
Jefferson City, MO 65101

EFFECTIVE:



MAR 07 2001

GENERAL EXCHANGE TARIFF

SPRINT MISSOURI, INC.
d/b/a SPRINT

Fifth Revised Page 4
Cancels Fourth Revised Page 4

Missouri Public
Service Commission

LOCAL EXCHANGE SERVICE RATE GROUPS

REC'D OCT 27 2000

II. STATEWIDE SCHEDULE OF RATES BY RATE GROUPS

A. BUSINESS

RATE GROUPS

	I	II	III	IV	
One-Party	\$14.46	\$15.56	\$17.06	\$18.86	(CR)
Four-Party**	11.11	11.91	12.76	N/A	
Trunk	20.68	22.83	25.78	29.13	
Rural Four-Party****	15.66	17.06	18.66	N/A	(CR)

B. RESIDENCE

One-Party	8.62	9.17	10.02	10.82	(CR)
Four-Party***	6.97	7.27	7.82	N/A	
Trunk	10.95	12.00	13.35	15.05	
Rural Four-Party****	9.12	9.82	10.62	N/A	(CR)

For EAS additives (where applicable) SEE MONTHLY RATES - RATE GROUPS I - IV. (DT)

** Business four-party service within the initial rate area is not available to new applicants. Service to existing customers will be upgraded to one-party service as facilities become available.

*** Residence four-party service within the initial rate area is not available to new applicants. Existing urban four-party customers will retain their current grade of service, until such time that facilities are available.

**** Business and residence rural four-party service will no longer be made available, once an exchange is exclusively one-party and noted on the appropriate tariff sheet.

CANCELLED

Missouri Public
Service Commission

MAR 07 2001
64 RPY

FILED DEC 11 2000

Public Service Commission
MISSOURI

ISSUED:
October 27, 2000

BY: Richard D. Lawson
State Executive, External Affairs
319 Madison
Jefferson City, MO 65101

EFFECTIVE:
December 11, 2000

GENERAL EXCHANGE TARIFF

SPRINT MISSOURI, INC.
d/b/a SPRINT

Fourth Revised Page 4
Cancels Third Revised Page 4

LOCAL EXCHANGE SERVICE RATE GROUPS **Missouri Public Service Commission**

II. STATEWIDE SCHEDULE OF RATES BY RATE GROUPS

REC'D OCT 27 1999

A. BUSINESS

RATE GROUPS

	I	II	III	IV	
One-Party	\$10.85	\$11.95	\$13.45	\$15.25	
Four-Party**	7.50	8.30	9.15	N/A	
Trunk	18.60	20.75	23.70	27.05	(CR)
Rural Four-Party****	12.05	13.45	15.05	N/A	

B. RESIDENCE

One-Party	5.42	5.97	6.82	7.62	
Four-Party***	3.77	4.07	4.62	N/A	
Trunk	9.35	10.40	11.75	13.45	(CR)
Rural Four-Party****	5.92	6.62	7.42	N/A	

For Zone additives outside the initial rate area (where applicable) and EAS additives (where applicable) SEE MONTHLY RATES - RATE GROUPS I - IV.

CANCELLED

DEC 11 2000

By *5th RPY*
**Public Service Commission
MISSOURI**

** Business four-party service within the initial rate area is not available to new applicants. Service to existing customers will be upgraded to one-party service as facilities become available.

*** Residence four-party service within the initial rate area is not available to new applicants. Existing urban four-party customers will retain their current grade of service, until such time that facilities are available.

**** Business and residence rural four-party service will no longer be made available, once an exchange is exclusively one-party and noted on the appropriate tariff sheet.

Missouri Public Service Commission

FILED NOV 26 1999

ISSUED:
October 27, 1999

BY: Richard D. Lawson
State Executive, External Affairs
319 Madison
Jefferson City, MO 65101

EFFECTIVE:
November 26, 1999

GENERAL EXCHANGE TARIFF

SPRINT MISSOURI, INC.
d/b/a SPRINT

Third Revised Page 4
Cancels Second Revised Page 4

LOCAL EXCHANGE SERVICE RATE GROUPS **Missouri Public Service Commission**

II. STATEWIDE SCHEDULE OF RATES BY RATE GROUPS

REC'D JAN 22 1999

A. BUSINESS

RATE GROUPS

	I	II	III	IV	
One-Party	\$10.85	\$ 11.95	\$ 13.45	15.25	
Four-Party**	7.50	8.30	9.15	N/A	(DR)
Trunk	17.25	19.25	21.95	25.05	
Rural Four-Party****	12.05	13.45	15.05	N/A	(DR)

B. RESIDENCE

One-Party	5.42	5.97	6.82	7.62	
Four-Party***	3.77	4.07	4.62	N/A	(DR)
Trunk	8.67	9.67	10.92	12.47	
Rural Four-Party****	5.92	6.62	7.42	N/A	(DR)

For Zone additives outside the initial rate area (where applicable) and EAS additives (where applicable) SEE MONTHLY RATES - RATE GROUPS I - IV.

CANCELLED

NOV 26 1999

By *LMRS#4*
Public Service Commission
MISSOURI

** Business four-party service within the initial rate area is not available to new applicants. Service to existing customers will be upgraded to one-party service as facilities become available.

*** Residence four-party service within the initial rate area is not available to new applicants. Existing urban four-party customers will retain their current grade of service, until such time that facilities are available.

**** Business and residence rural four-party service will no longer be made available, once an exchange is exclusively one-party and noted on the appropriate tariff sheet.

Missouri Public Service Commission

FILED FEB 22 1999

ISSUED:
January 22, 1999

BY: Richard D. Lawson
State Executive, External Affairs
319 Madison
Jefferson City, MO 65101

EFFECTIVE:
February 22, 1999

GENERAL EXCHANGE TARIFF

UNITED TELEPHONE COMPANY
OF MISSOURI d/b/a SPRINT

Second Revised Page 4
Cancels First Revised Page 4

RECEIVED

LOCAL EXCHANGE SERVICE RATE GROUPS

JAN 15 1997

II. STATEWIDE SCHEDULE OF RATES BY RATE GROUPS

A. BUSINESS

MISSOURI
Public Service Commission

	RATE GROUPS			
	I	II	III	IV
One-Party	\$10.85	\$ 11.95	\$ 13.45	15.25
Four-Party**	7.50	8.30	9.15	10.25
Trunk	17.25	19.25	21.95	25.05
Rural Four-Party****	12.05	13.45	15.05	17.10

(RT)

B. RESIDENCE

One-Party	5.42	5.97	6.82	7.62
Four-Party***	3.77	4.07	4.62	5.12
Trunk	8.67	9.67	10.92	12.47
Rural Four-Party****	5.92	6.62	7.42	8.47

For Zone additives outside the initial rate area (where applicable) and EAS additives (where applicable) SEE MONTHLY RATES - RATE GROUPS I - IV.

CANCELLED

FEB 22 1999

- ** Business four-party service within the initial rate area is not available to new applicants. Service to existing customers will be upgraded to one-party service as facilities become available.
- *** Residence four-party service within the initial rate area is not available to new applicants. Existing urban four-party customers will retain their current grade of service, until such time that facilities are available.
- **** Business and residence rural four-party service will no longer be made available, once an exchange is exclusively one-party and noted on the appropriate tariff sheet.

FILED

APR 15 1997

MO. PUBLIC SERVICE COMMISSION

EFFECTIVE:

APR 15 1997

ISSUED:
January 15, 1997

BY: John L. Roe
VP - Carrier and Regulatory Services
5454 West 110th Street
Overland Park, Kansas 66211

UNITED TELEPHONE COMPANY
OF MISSOURI

GENERAL EXCHANGE TARIFF

First Revised Page 4
Cancels Original Page 4
RECEIVED

LOCAL EXCHANGE SERVICE RATE GROUPS

NOV 2 1993

II. STATEWIDE SCHEDULE OF RATES BY RATE GROUPS

A. BUSINESS	RATE GROUPS				MO. PUBLIC SERVICE COMM.
	I	II	III	IV	
One-Party	\$10.85	\$ 11.95	\$ 13.45	15.25	(CR)
Four-Party**	7.50	8.30	9.15	10.25	
Trunk	17.25	19.25	21.95	25.05	
Semi-Public Coin	10.85	11.95	13.45	15.25	
Rural Four-Party****	12.05	13.45	15.05	17.10	(AT)
B. RESIDENCE					
One-Party	5.42	5.97	6.82	7.62	
Four-Party***	3.77	4.07	4.62	5.12	
Trunk	8.67	9.67	10.92	12.47	
Rural Four-Party****	5.92	6.62	7.42	8.47	(AT) (CR)

For Zone additives outside the initial rate area (where applicable) and EAS additives (where applicable) SEE MONTHLY RATES FOR RATE GROUPS I - IV.

CANCELLED
APR 15 1997
BY 2nd P.S. #4
Public Service Commission
MISSOURI

- ** Business four-party service within the initial rate area is not available to new applicants. Service to existing customers will be upgraded to one-party service as facilities become available.
- *** Residence four-party service within the initial rate area is not available to new applicants. Existing urban four-party customers will retain their current grade of service, until such time that facilities are available.
- **** Business and residence rural four-party service will no longer be made available, once an exchange is exclusively one-party and noted on the appropriate tariff sheet. (AT)

FILED

NOV 7 1993
93 - 181
MO. PUBLIC SERVICE COMM.

ISSUED:
November 3, 1993

BY: John L. Roe
Vice President - Administration
5454 West 110th Street
Overland Park, Kansas 66211

EFFECTIVE:
November 7, 1993

GENERAL EXCHANGE TARIFF

UNITED TELEPHONE COMPANY
OF MISSOURI

Original Page 4

RECEIVED

LOCAL EXCHANGE SERVICE RATE GROUPS

SEP 17 1992

II. STATEWIDE SCHEDULE OF RATES BY RATE GROUPS

MISSOURI
Public Service Commission

A. BUSINESS

RATE GROUPS

	I	II	III	IV
One-Party	\$ 7.50	\$ 8.65	\$ 9.85	\$11.40
Four-Party**	5.25	6.05	6.90	8.00
Trunk	13.15	15.00	17.25	19.95
Semi-Public Coin	7.50	8.65	9.85	11.40
Rural Four-Party	9.80	11.20	12.80	14.85

B. RESIDENCE

	I	II	III	IV
One-Party	3.75	4.25	4.95	5.70
Four-Party***	2.65	2.95	3.50	4.00
Trunk	6.60	7.50	8.60	9.95
Rural Four-Party	4.80	5.50	6.30	7.35

For Zone additives outside the initial rate area (where applicable) and EAS additives (where applicable) SEE MONTHLY RATES - RATE GROUPS I - IV.

** Business four-party service within the initial rate area is not available to new applicants. Service to existing customers will be upgraded to one-party service as facilities become available.

*** Residence four-party service within the initial rate area is not available to new applicants. Existing urban four-party customers will retain their current grade of service.

CANCELLED

NOV 7 1993
BY John R. S. #4
Public Service Commission
MISSOURI

FILED

NOV 7 1992

MO. PUBLIC SERVICE COMM.

EFFECTIVE:

~~October 17, 1992~~

NOV 7 1992

ISSUED:
September 17, 1992

BY: John L. Roe
Vice President - Administration
5454 West 110th Street
Overland Park, Kansas 66211

GENERAL EXCHANGE TARIFF

Embarq Missouri, Inc.
d/b/a Embarq

Second Revised Page 4.1
Cancels First Revised Page 4.1

LOCAL EXCHANGE SERVICE

(C)

II. EXTENDED AREA SERVICE (Cont'd)

(D)(M)(T)

Extended Area Service is provided between the following exchanges.

<u>FROM</u>	<u>TO</u>
New Bloomfield	(same as Brazito)
Norborne	Stet (Green Hills Telephone)
Pickering	Maryville
Platte City	Ferrelview
Russellville	(same as Brazito)
St. Robert	Ft. Leonard Wood, Waynesville
St. Thomas	(same as Brazito)
Taos	(same as Brazito)
Warrensburg	Centerview
Waynesville	Ft. Leonard Wood, St. Robert

(M)

(D)

(M) Material now appearing on this page was previously found on Fourth Revised Page 17.

ISSUED:
January 20, 2009

BY: Darlene N. Terry
Manager - Tariffs
5454 W. 110th Street
Overland Park, Kansas 66211

EFFECTIVE:
February 1, 2009

P.S.C. MO.-No. 22 Section 16
 GENERAL EXCHANGE TARIFF

Embarq Missouri, Inc.
 d/b/a Embarq

First Revised Page 4.1
 Cancels Original Page 4.1

LOCAL EXCHANGE SERVICE RATE GROUPS

II. STATEWIDE SCHEDULE OF RATES BY RATE GROUPS

All monthly local exchange rates include Touch Tone Service.

RATE GROUPS

I II III IV

B. RESIDENCE

One-Party

Buckner		\$15.00		
Ferrelview			\$17.00	
Ft. Leonardwood			\$17.00	
Jefferson City				\$17.00
Kearney			\$16.00	
Lake Lotawana		\$15.00		
Lebanon			\$16.00	
Norborne	\$15.00			
Oak Grove			\$16.00	
Odessa			\$16.00	
Platte City			\$16.00	
Pleasant Hill			\$16.00	
Rolla				\$17.00
St. Robert			\$17.00	
Waynesville			\$17.00	
Weston		\$15.00		
All Other Exchanges	\$12.72	\$13.29	\$14.15	\$14.96

(I)
 (T)
 (T)
 (T)
 (I)

Trunk

Buckner		\$28.24		
Ferrelview			\$38.98	
Ft. Leonardwood			\$33.98	
Jefferson City				\$37.89
Kearney			\$31.68	
Lake Lotawana		\$30.39		
Lebanon			\$31.68	
Norborne	\$26.38			
Oak Grove			\$31.68	
Odessa			\$31.68	
Platte City			\$32.78	
Pleasant Hill			\$31.68	
Rolla				\$35.59
St. Robert			\$36.03	
Waynesville			\$37.03	
Weston		\$28.24		
All Other Exchanges	\$15.62	\$17.11	\$19.05	\$21.48

(I)
 (T)
 (T)
 (T)
 (I)

For EAS additives (where applicable) SEE EAS ADDITIVES IN III.A of this tariff.

ISSUED:
 January 18, 2008

BY: Darlene N. Terry
 Manager - Tariffs

EFFECTIVE:
 January 30, 2008

5454 W. 110th Street
 Overland Park, Kansas 66211

CANCELLED
 February 1, 2009
 Missouri Public
 Service Commission
 JI-2009-0528

FILED
 Missouri Public
 Service Commission

P.S.C. MO.-No. 22 Section 16
 GENERAL EXCHANGE TARIFF

Embarq Missouri, Inc.
 d/b/a Embarq

Original Page 4.1

LOCAL EXCHANGE SERVICE RATE GROUPS

II. STATEWIDE SCHEDULE OF RATES BY RATE GROUPS

All monthly local exchange rates include Touch Tone Service.

RATE GROUPS

I II III IV

B. RESIDENCE

One-Party

Buckner		\$13.00		
Ferrelview			\$13.84	
Jefferson City				\$14.64
Kearney			\$13.84	
Lake Lotawana		\$13.00		
Lebanon			\$13.84	
Norborne	\$12.45			
Oak Grove			\$13.84	
Odessa			\$13.84	
Platte City			\$13.84	
Pleasant Hill			\$13.84	
Rolla				\$14.64
Weston		\$13.00		
All Other Exchanges	\$12.72	\$13.29	\$14.15	\$14.96

Trunk

Buckner		\$16.30		
Ferrelview			\$18.15	
Jefferson City				\$20.46
Kearney			\$18.15	
Lake Lotawana		\$16.30		
Lebanon			\$18.15	
Norborne	\$14.88			
Oak Grove			\$18.15	
Odessa			\$18.15	
Platte City			\$18.15	
Pleasant Hill			\$18.15	
Rolla				\$20.46
Weston		\$16.30		
All Other Exchanges	\$15.62	\$17.11	\$19.05	\$21.48

(M)

(T)

(T)(I)

(T)

(M)(T)(I)

For EAS additives (where applicable) SEE EAS ADDITIVES IN III.A of this tariff.

(M) Material now appearing on this page previously appeared on Eighteenth Revised Page 4.

ISSUED:
 December 3, 2007

BY: Darlene N. Terry
 Manager - Tariffs
 5454 W. 110th Street
 Overland Park, Kansas 66211

EFFECTIVE:
 January 30, 2008

CANCELLED
 January 30, 2008
 Missouri Public
 Service Commission

FILED
 Missouri Public
 Service Commission

GENERAL EXCHANGE TARIFF

Embarq Missouri, Inc.
d/b/a Embarq

Eighth Revised Page 5
Cancels Seventh Revised Page 5

LOCAL EXCHANGE SERVICE

(C)

III. TERM DISCOUNT PLAN (TDP)

(D)(M)(T)

A. GENERAL

1. A Term Discount Plan (TDP) provides business customers, who have five (5) or more lines/trunks at the same location and billed under a single bill or who have five (5) or more lines/trunks at different locations and billed under a single bill, with discounted rates for flat rated Business Individual Lines and Trunks. Fewer than five (5) lines/trunks billing under a single bill are not eligible for the TDP rates, regardless of whether the customer in total subscribes to five (5) or more lines/trunks. The discount on Local Exchange Service Rate Component does not apply for the EAS Rate Component. Local Measured Service lines/trunks are not eligible for this plan. (T)
2. Business **Individual** Lines and Trunks may be ordered under a TDP for fixed periods of two (2) years and three (3) years. (T)
3. The customer must specify the length of the initial service period at the time the service is ordered.
4. At the end of the TDP commitment period the customer may subscribe to a new TDP at discounts on the prevailing rates as set forth in VII.C. following. If the customer does not specify renewal terms in writing 90 days prior to the expiration of the TDP, the commitment period and the discount in effect at the time of expiration will automatically be extended for 12 months. The customer can terminate service at the end of the minimum commitment period with no penalty or obligation to continue the service.
5. Rate increases or decreases will automatically be applied to the monthly term plan rates for the remaining term of the TDP. If a Company initiated rate increase causes the services under the TDP to increase by 10% or more annually, then the customer may cancel the TDP without incurring termination liability charges provided the customer notifies the Company within 30 days after the effective date of the rate increase.
6. The customer can extend TDP commitment periods at any time during the term of the plan, up to a maximum of three years. The number of remaining months in the original term plan will apply toward the new term plan selected. (M)

(D)

(M) Material now appearing on this page was previously found on Fourth Revised Page 19.

ISSUED:
January 20, 2009

BY: Darlene N. Terry
Manager - Tariffs
5454 W. 110th Street
Overland Park, Kansas 66211

EFFECTIVE:
February 1, 2009

GENERAL EXCHANGE TARIFF

Embarq Missouri, Inc.
d/b/a Embarq

Seventh Revised Page 5
Cancels Sixth Revised Page 5

LOCAL EXCHANGE SERVICE RATE GROUPS

III. EAS ADDITIVES

For description of the EAS calling areas for each exchange, see V. "Extended Area Service" in this section.

A. Monthly Rates

	Business		Residence		
	One-Party	Trunks	One-Party	Trunks	
Brazito	\$7.30	\$7.30	\$3.65	\$3.65	
Centertown	\$7.30	\$7.30	\$3.65	\$3.65	
Centerview	\$7.00	\$7.00	\$3.55	\$3.55	
Clinton	\$0.30	\$0.30	\$0.15	\$0.15	
Coal	\$4.35	\$4.35	\$2.15	\$2.15	
Cole Camp	\$0.50	\$0.50	\$0.25	\$0.25	
Eugene	\$7.30	\$7.30	\$3.65	\$3.65	
Ferrelview ¹	\$7.30	\$7.30	\$0.00	\$0.00	(R)
Fort Leonard Wood	\$2.30	\$2.30	\$0.00	\$0.00	(R)
Holden ²	\$0.80	\$0.80	\$0.40	\$0.40	
Ionia	\$6.35	\$6.35	\$3.25	\$3.25	
Jefferson City	\$2.30	\$2.30	\$0.00	\$0.00	(R)
Kingsville ²	\$2.75	\$2.75	\$1.35	\$1.35	
Lake Lotawana ¹	\$2.15	\$2.15	\$0.00	\$0.00	(R)
Maryville	\$0.30	\$0.30	\$0.15	\$0.15	
New Bloomfield	\$7.30	\$7.30	\$3.65	\$3.65	
Norborne	\$0.65	\$0.65	\$0.00	\$0.00	(R)
Pickering	\$7.30	\$7.30	\$3.65	\$3.65	
Platte City ¹	\$1.10	\$1.10	\$0.00	\$0.00	(R)
Russellville	\$7.30	\$7.30	\$3.65	\$3.65	
St. Robert	\$4.35	\$4.35	\$0.00	\$0.00	(R)
St. Thomas	\$7.30	\$7.30	\$3.65	\$3.65	
Taos	\$7.30	\$7.30	\$3.65	\$3.65	
Warrensburg	\$0.25	\$0.25	\$0.10	\$0.10	
Waynesville	\$5.35	\$5.35	\$0.00	\$0.00	(R)

¹ MCA subscribers will not pay the mandatory EAS additive since EAS does not expand the MCA's Calling scope.

² MCA subscribers will continue to pay the mandatory EAS additive since EAS expands the MCA's calling scope.

ISSUED:
January 18, 2008

BY: Darlene N. Terry
Manager - Tariffs
5454 W. 110th Street
Overland Park, Kansas 66211

EFFECTIVE:
January 30, 2008

CANCELLED
February 1, 2009
Missouri Public
Service Commission
JI-2009-0528

FILED
Missouri Public
Service Commission

GENERAL EXCHANGE TARIFF

**Embarq Missouri, Inc.
d/b/a Embarq**

Sixth Revised Page 5 (C)
Cancels Fifth Revised Page 5 (C)

LOCAL EXCHANGE SERVICE RATE GROUPS

III. EAS ADDITIVES

For description of the EAS calling areas for each exchange, see V. "Extended Area Service" in this section.

A. Monthly Rates

	Business		Residence		
	One-Party	Trunks	One-Party	Trunks	
Brazito	\$7.30	\$7.30	\$3.65	\$3.65	
Centertown	\$7.30	\$7.30	\$3.65	\$3.65	
Centerview	\$7.00	\$7.00	\$3.55	\$3.55	(I)
Clinton	\$0.30	\$0.30	\$0.15	\$0.15	
Coal	\$4.35	\$4.35	\$2.15	\$2.15	
Cole Camp	\$0.50	\$0.50	\$0.25	\$0.25	
Eugene	\$7.30	\$7.30	\$3.65	\$3.65	
Ferrelview ¹	\$7.30	\$7.30	\$3.65	\$3.65	
Fort Leonard Wood	\$2.30	\$2.30	\$1.15	\$1.15	
Holden ²	\$0.80	\$0.80	\$0.40	\$0.40	
Ionia	\$6.35	\$6.35	\$3.25	\$3.25	(I)
Jefferson City	\$2.30	\$2.30	\$1.15	\$1.15	
Kingsville ²	\$2.75	\$2.75	\$1.35	\$1.35	
Lake Lotawana ¹	\$2.15	\$2.15	\$1.10	\$1.10	
Maryville	\$0.30	\$0.30	\$0.15	\$0.15	
New Bloomfield	\$7.30	\$7.30	\$3.65	\$3.65	
Norborne	\$0.65	\$0.65	\$0.35	\$0.35	
Pickering	\$7.30	\$7.30	\$3.65	\$3.65	
Platte City ¹	\$1.10	\$1.10	\$0.55	\$0.55	
Russellville	\$7.30	\$7.30	\$3.65	\$3.65	
St. Robert	\$4.35	\$4.35	\$2.15	\$2.15	
St. Thomas	\$7.30	\$7.30	\$3.65	\$3.65	
Taos	\$7.30	\$7.30	\$3.65	\$3.65	
Warrensburg	\$0.25	\$0.25	\$0.10	\$0.10	
Waynesville	\$5.35	\$5.35	\$2.70	\$2.70	(I)

¹ MCA subscribers will not pay the mandatory EAS additive since EAS does not expand the MCA's Calling scope.

² MCA subscribers will continue to pay the mandatory EAS additive since EAS expands the MCA's calling scope.

ISSUED:
December 3, 2007

BY: Darlene N. Terry
Manager - Tariffs
5454 W. 110th Street
Overland Park, Kansas 66211

EFFECTIVE:
January 30, 2008

GENERAL EXCHANGE TARIFF

SPRINT MISSOURI, INC.
d/b/a SPRINT

Fifth Revised Page 5
Cancels Fourth Revised Page 5

LOCAL EXCHANGE SERVICE RATE GROUPS

III. EAS ADDITIVES

For description of the EAS calling areas for each exchange, see V. "Extended Area Service" in this section.

A. Monthly Rates

	Business		Residence	
	One-Party	Trunks	One-Party	Trunks
Brazito	\$7.30	\$7.30	\$3.65	\$3.65
Centertown	\$7.30	\$7.30	\$3.65	\$3.65
Centerview	\$7.00	\$7.00	\$3.50	\$3.50
Clinton	\$0.30	\$0.30	\$0.15	\$0.15
Coal	\$4.35	\$4.35	\$2.15	\$2.15
Cole Camp	\$0.50	\$0.50	\$0.25	\$0.25
Eugene	\$7.30	\$7.30	\$3.65	\$3.65
Ferrelview ¹	\$7.30	\$7.30	\$3.65	\$3.65
Fort Leonard Wood	\$2.30	\$2.30	\$1.15	\$1.15
Holden ²	\$0.80	\$0.80	\$0.40	\$0.40
Ionia	\$6.35	\$6.35	\$3.20	\$3.20
Jefferson City	\$2.30	\$2.30	\$1.15	\$1.15
Kingsville ²	\$2.75	\$2.75	\$1.35	\$1.35
Lake Lotawana ¹	\$2.15	\$2.15	\$1.10	\$1.10
Maryville	\$0.30	\$0.30	\$0.15	\$0.15
New Bloomfield	\$7.30	\$7.30	\$3.65	\$3.65
Norborne	\$0.65	\$0.65	\$0.35	\$0.35
Pickering	\$7.30	\$7.30	\$3.65	\$3.65
Platte City ¹	\$1.10	\$1.10	\$0.55	\$0.55
Russellville	\$7.30	\$7.30	\$3.65	\$3.65
St. Robert	\$4.35	\$4.35	\$2.15	\$2.15
St. Thomas	\$7.30	\$7.30	\$3.65	\$3.65
Taos	\$7.30	\$7.30	\$3.65	\$3.65
Warrensburg	\$0.25	\$0.25	\$0.10	\$0.10
Waynesville	\$5.35	\$5.35	\$2.65	\$2.65

(T)

¹ MCA subscribers will not pay the mandatory EAS additive since EAS does not expand the MCA's Calling scope.

² MCA subscribers will continue to pay the mandatory EAS additive since EAS expands the MCA's calling scope.

(D)
(D)

ISSUED:
October 20, 2005

BY: Richard D. Lawson
State Executive, External Affairs
319 Madison
Jefferson City, MO 65101

EFFECTIVE:
November 20, 2005

CANCELLED
January 30, 2008
Missouri Public
Service Commission

FILED
Missouri Public
Service Commission

CANCELLED

P.S.C. MO.-No. 22 Section 16

NOV 20 2005

GENERAL EXCHANGE TARIFF

by **BURS 5**
Public Service Commission
MISSOURI

SPRINT MISSOURI, INC.
d/b/a SPRINT

Fourth Revised Page 5
Cancels Third Revised Page 5

LOCAL EXCHANGE SERVICE RATE GROUPS

III. EAS ADDITIVES

For description of the EAS calling areas for each exchange, see V. "Extended Area Service" in this section.

(N)
(N)

A. Monthly Rates

	Business		Residence		
	One-Party	Trunks	One-Party	Trunks	
Brazito	\$7.30	\$7.30	\$3.65	\$3.65	
Centertown	\$7.30	\$7.30	\$3.65	\$3.65	
Centerview	\$7.00	\$7.00	\$3.50	\$3.50	
Clinton	\$0.30	\$0.30	\$0.15	\$0.15	
Coal	\$4.35	\$4.35	\$2.15	\$2.15	
Cole Camp	\$0.50	\$0.50	\$0.25	\$0.25	
Eugene	\$7.30	\$7.30	\$3.65	\$3.65	
Ferrelview ¹	\$7.30	\$7.30	\$3.65	\$3.65	(T)
Fort Leonard Wood	\$2.30	\$2.30	\$1.15	\$1.15	
Holden ²	\$0.80	\$0.80	\$0.40	\$0.40	(T)
Ionia	\$6.35	\$6.35	\$3.20	\$3.20	
Jefferson City	\$2.30	\$2.30	\$1.15	\$1.15	
Kingsville ²	\$2.75	\$2.75	\$1.35	\$1.35	(E)
Lake Lotawana ¹	\$2.15	\$2.15	\$1.10	\$1.10	(E)
Maryville	\$0.30	\$0.30	\$0.15	\$0.15	
New Bloomfield	\$7.30	\$7.30	\$3.65	\$3.65	
Norborne [*]	\$0.65	\$0.65	\$0.35	\$0.35	
Pickering	\$7.30	\$7.30	\$3.65	\$3.65	
Platte City ¹	\$1.10	\$1.10	\$0.55	\$0.55	(T)
Russellville	\$7.30	\$7.30	\$3.65	\$3.65	
St. Robert	\$4.35	\$4.35	\$2.15	\$2.15	
St. Thomas	\$7.30	\$7.30	\$3.65	\$3.65	
Taos	\$7.30	\$7.30	\$3.65	\$3.65	
Warrensburg	\$0.25	\$0.25	\$0.10	\$0.10	
Waynesville	\$5.35	\$5.35	\$2.65	\$2.65	

¹ MCA subscribers will not pay the mandatory EAS additive since EAS does not expand the MCA's Calling scope.

(N)
(N)

² MCA subscribers will continue to pay the mandatory EAS additive since EAS expands the MCA's calling scope.

(N)
(N)

(D)
(D)

^{*} Competitive Service Classification pursuant to MO PSC Order of December 4, 2003, in Case No. IO-2003-0281.

ISSUED:
April 13, 2004

BY: Richard D. Lawson
State Executive, External Affairs
319 Madison
Jefferson City, MO. 65101

EFFECTIVE:
May 13, 2004

FILED
MO PSC

REC'D APR 01 2004

GENERAL EXCHANGE TARIFF

SPRINT MISSOURI, INC.
d/b/a SPRINT

Service Commission
Third Revised Page 6
Cancels Second Revised Page 5

LOCAL EXCHANGE SERVICE RATE GROUPS

III. EAS ADDITIVES

A. Monthly Rates

	Business		Residence	
	One-Party	Trunks	One-Party	Trunks
Brazito	\$7.30	\$7.30	\$3.65	\$3.65
Centertown	\$7.30	\$7.30	\$3.65	\$3.65
Centerview	\$7.00	\$7.00	\$3.50	\$3.50
Clinton	\$0.30	\$0.30	\$0.15	\$0.15
Coal	\$4.35	\$4.35	\$2.15	\$2.15
Cole Camp	\$0.50	\$0.50	\$0.25	\$0.25
Eugene	\$7.30	\$7.30	\$3.65	\$3.65
Ferrelview	\$7.30	\$7.30	\$3.65	\$3.65
Fort Leonard Wood	\$2.30	\$2.30	\$1.15	\$1.15
Holden	\$0.80	\$0.80	\$0.40	\$0.40
Ionia	\$6.35	\$6.35	\$3.20	\$3.20
Jefferson City	\$2.30	\$2.30	\$1.15	\$1.15
Kingsville	\$2.75	\$2.75	\$1.35	\$1.35
Lake Lotawana	\$2.15	\$2.15	\$1.10	\$1.10
Maryville	\$0.30	\$0.30	\$0.15	\$0.15
New Bloomfield	\$7.30	\$7.30	\$3.65	\$3.65
Norborne*	\$0.65	\$0.65	\$0.35	\$0.35
Pickering	\$7.30	\$7.30	\$3.65	\$3.65
Platte City	\$1.10	\$1.10	\$0.55	\$0.55
Russellville	\$7.30	\$7.30	\$3.65	\$3.65
St. Robert	\$4.35	\$4.35	\$2.15	\$2.15
St. Thomas	\$7.30	\$7.30	\$3.65	\$3.65
Taos	\$7.30	\$7.30	\$3.65	\$3.65
Warrensburg	\$0.25	\$0.25	\$0.10	\$0.10
Waynesville	\$5.35	\$5.35	\$2.65	\$2.65

(T)

CANCELLED

MAY 13 2004
By 44hrs5
Public Service Commission
MISSOURI

For description of the EAS calling areas for each exchange, see V. "Extended Area Service" in this section.

* **Competitive Service Classification pursuant to MO PSC Order of December 4, 2003, in Case No. IO-2003-0281.** (N)
(N)

ISSUED:
April 1, 2004

BY: Richard D. Lawson
State Executive, External Affairs
319 Madison
Jefferson City, MO 65101

EFFECTIVE:
May 1, 2004

Missouri Public
Service Commission

FILED MAY 01 2004

REGD DEC 27 2001

SPRINT MISSOURI, INC.
d/b/a SPRINT

Second Revised Page 5
Cancels First Revised Page 5

LOCAL EXCHANGE SERVICE RATE GROUPS

(CT) (MT)

III. EAS ADDITIVES

A. Monthly Rates

	<u>Business</u>		<u>Residence</u>	
	<u>One-Party</u>	<u>Trunks</u>	<u>One-Party</u>	<u>Trunks</u>
Brazito	\$7.30	\$7.30	\$3.65	\$3.65
Centertown	\$7.30	\$7.30	\$3.65	\$3.65
Centerview	\$7.00	\$7.00	\$3.50	\$3.50
Clinton	\$0.30	\$0.30	\$0.15	\$0.15
Coal	\$4.35	\$4.35	\$2.15	\$2.15
Cole Camp	\$0.50	\$0.50	\$0.25	\$0.25
Eugene	\$7.30	\$7.30	\$3.65	\$3.65
Ferrelview	\$7.30	\$7.30	\$3.65	\$3.65
Fort Leonard Wood	\$2.30	\$2.30	\$1.15	\$1.15
Holden	\$0.80	\$0.80	\$0.40	\$0.40
Ionia	\$6.35	\$6.35	\$3.20	\$3.20
Jefferson City	\$2.30	\$2.30	\$1.15	\$1.15
Kingsville	\$2.75	\$2.75	\$1.35	\$1.35
Lake Lotawana	\$2.15	\$2.15	\$1.10	\$1.10
Maryville	\$0.30	\$0.30	\$0.15	\$0.15
New Bloomfield	\$7.30	\$7.30	\$3.65	\$3.65
Norborne	\$0.65	\$0.65	\$0.35	\$0.35
Pickering	\$7.30	\$7.30	\$3.65	\$3.65
Platte City	\$1.10	\$1.10	\$0.55	\$0.55
Russellville	\$7.30	\$7.30	\$3.65	\$3.65
St. Robert	\$4.35	\$4.35	\$2.15	\$2.15
St. Thomas	\$7.30	\$7.30	\$3.65	\$3.65
Taos	\$7.30	\$7.30	\$3.65	\$3.65
Warrensburg	\$0.25	\$0.25	\$0.10	\$0.10
Waynesville	\$5.35	\$5.35	\$2.65	\$2.65

(CT) (MT)

CANCELLED
MAY 01 2004
3rd RS
Public Service Commission
MISSOURI

For description of the EAS calling areas for each exchange, see V. "Extended Area Service" in this section.

(AT)
(AT)

ISSUED:
December 27, 2001

BY: Richard-D. Lawson
State Executive, External Affairs
319 Madison
Jefferson City, MO 65101

EFFECTIVE:
January 26, 2002
Missouri Public

FILED JAN 26 2002

Service Commission

UNITED TELEPHONE COMPANY
OF MISSOURI

GENERAL EXCHANGE TARIFF

First Revised Page 5
Cancels Original Page 5

LOCAL EXCHANGE SERVICE RATE GROUPS

(Reserved for Future Filing)

RECEIVED

NOV 2 1993
(RT)

MO. PUBLIC SERVICE COMM.

CANCELLED

JAN 26 2002

2nd RP5
Public Service Commission
MISSOURI

(RT)

FILED

NOV 7 1993
93 - 181
MO. PUBLIC SERVICE COMM.

ISSUED:
November 3, 1993

BY: John L. Roe
Vice President - Administration
5454 West 110th Street
Overland Park, Kansas 66211

EFFECTIVE:
November 7, 1993

GENERAL EXCHANGE TARIFF

UNITED TELEPHONE COMPANY
OF MISSOURI

Original Page 5
RECEIVED

LOCAL EXCHANGE SERVICE RATE GROUPS

SEP 17 1992

II. STATEWIDE SCHEDULE OF RATES BY RATE GROUPS (Continued)

MISSOURI
Public Service Commission

C. The following rates are designed to recover net revenue losses associated with Community Optional Service (COS). This COS Local Charge has been developed for existing routes.¹ These rates will be in addition to all other applicable rates and charges as outlined in this tariff.

CANCELLED

NOV 7 1993

BY John R. S. #5
Public Service Commission
MISSOURI

The following COS Local Charges are applicable:

	<u>S & E Code</u>	<u>Monthly Rate</u>
Business:	ASBASAL ILF	\$ 0.99
Residence:	ASBASAL ILF	\$.47
*Measured	ASBASAL ILM	

*Measured COS Local Charges will be treated the same as Local Measured Service Charges in Section 16.XI.C.1 of this tariff.

FILED

NOV 7 1992

MO. PUBLIC SERVICE COMM.

EFFECTIVE:

~~October 17, 1992~~

NOV 7 1992

¹ See Section 47.IV for a listing of existing COS routes.

ISSUED:
September 17, 1992

BY: John L. Roe
Vice President - Administration
5454 West 110th Street
Overland Park, Kansas 66211

GENERAL EXCHANGE TARIFF

Embarq Missouri, Inc.
d/b/a Embarq

Fourth Revised Page 6 (C)
Cancels Third Revised Page 6 (C)

LOCAL EXCHANGE SERVICE

(C)

III. TERM DISCOUNT PLAN (TDP) (Cont'd)

(D)(M)(T)

B. TERMINATION LIABILITY CHARGES

1. If a business customer under a Term Discount Plan (TDP) disconnects any portion of the Business Individual Lines and Trunks TDP service prior to the expiration of the TDP, then a Termination Liability Charge will apply to those services that are disconnected. The Termination Liability Charge will be a one-time charge equal to the sum of 50% of the payments for the remainder of the TDP. Should a customer drop below the line/trunk minimum requirement, the customer will no longer qualify for the TDP, and the remaining lines/trunks will default to the standard month-to-month rates effective with the disconnect date.

(T)

C. DISCOUNTS

	<u>Two Years</u>	<u>Three Years</u>	
1. Business Individual Line (flat rated)	10%	15%	(T)
2. Business Trunk (flat rated)	10%	15%	(M)

(D)

(M) Material now appearing on this page was previously found on First Revised Page 19.1.

ISSUED:
January 20, 2009

BY: Darlene N. Terry
Manager - Tariffs
5454 W. 110th Street
Overland Park, Kansas 66211

EFFECTIVE:
February 1, 2009

P.S.C. MO.-No. 22 Section 16
GENERAL EXCHANGE TARIFF

SPRINT MISSOURI, INC.
d/b/a SPRINT

Third Revised Page 6
Cancels Second Revised Page 6

LOCAL EXCHANGE SERVICE RATE GROUPS

IV. MOVEMENT OF EXCHANGES BETWEEN RATE GROUPS (CT)

- A. The term "Rate Group" as used herein, refers to Access Line Limits as set forth in I.A. of this tariff section.
- B. An exchange is placed in a Rate Group on the basis of the number of central office access lines in that exchange. Access lines, included for this purpose, consist of all lines connected with classes of service found in Section 16 of this tariff and Payphone Line Service, Mobile Telephone Units, Centrex lines and the open end of Foreign Exchange Terminals. (CT)
- C. When the number of access lines, as described in **IV.B.** above, in a local calling area increases or decreases by growth or loss of access lines so that the number of access lines exceeds or falls below the Access Line Limits by as many as ten (10) access lines for the Rate Group in which the exchange is placed, and such count continues for four (4) consecutive months, then the exchange thus affected will be moved to the appropriate Rate Group after compliance with the procedures set forth in **IV.D.** following. (CT)
- D. When an exchange is to be moved from one Rate Group to another in accordance with the circumstances stated in **IV.C.** above, the change will be effected by: (CT)
1. Notice of the change by publication in a newspaper in general circulation in the area and/or by personal or written notice to city officials and to officers of Chambers of Commerce or other similar organizations of the community involved.
 2. Notice of the change by letter to the Missouri Public Service Commission, explaining the changes to be made, together with an attachment showing complete information as to the exchange affected and revised tariff sheets. (CT)
 3. The new local service rates as set forth in the revised tariff sheets referred to in **IV.D.2.** above will be made effective on the first billing date after acceptance of the filing by the Missouri Public Service Commission.

ISSUED:
December 27, 2001

BY: Richard D. Lawson
State Executive, External Affairs
319 Madison
Jefferson City, MO 65101

EFFECTIVE:
January 26, 2002

CANCELLED
February 1, 2009
Missouri Public
Service Commission
JI-2009-0528

Filed
Missouri Public
Service Commission

GENERAL EXCHANGE TARIFF

UNITED TELEPHONE COMPANY
OF MISSOURI d/b/a SPRINT

Second Revised Page 6
Cancels First Revised Page 6

RECEIVED

LOCAL EXCHANGE SERVICE RATE GROUPS

JAN 15 1997

III. MOVEMENT OF EXCHANGES BETWEEN RATE GROUPS

A. The term "Rate Group" as used herein, refers to Access Line Limits as set forth in I.A. of this tariff section. MISSOURI PUBLIC SERVICE COMMISSION

B. An exchange is placed in a Rate Group on the basis of the number of central office access lines in that exchange. Access lines, included for this purpose, consist of all lines connected with classes of service found in Section 16 of this tariff and Payphone Line Service, Mobile Telephone Units, Centrex lines and the open end of Foreign Exchange Terminals. (CT)

C. When the number of access lines, as described in III.B. above, in a local calling area increases or decreases by growth or loss of access lines so that the number of access lines exceeds or falls below the Access Line Limits by as many as ten (10) access lines for the Rate Group in which the exchange is placed, and such count continues for four (4) consecutive months, then the exchange thus affected will be moved to the appropriate Rate Group after compliance with the procedures set forth in III.D. following.

D. When an exchange is to be moved from one Rate Group to another in accordance with the circumstances stated in III.C. above, the change will be effected by:

1. Notice of the change by publication in a newspaper in general circulation in the area and/or by personal or written notice to city officials and to officers of Chambers of Commerce or other similar organizations of the community involved.
2. Notice of the change by letter to the Missouri Public Service Commission, explaining the changes to be made, together with an attachment showing complete information as to the exchange affected and revised tariff sheets.
3. The new local service rates as set forth in the revised tariff sheets referred to in III.D.2. above will be made effective on the first billing date after acceptance of the filing by the Missouri Public Service Commission.

CANCELLED

FILED

JAN 26 2002

APR 15 1997

Public Service Commission
MISSOURI

MO. PUBLIC SERVICE COMMISSION

ISSUED:
January 15, 1997

BY: John L. Roe
Vice President - Carrier & Regulatory Services
5454 West 110th Street
Overland Park, Kansas 66211

APR 15 1997

GENERAL EXCHANGE TARIFF

UNITED TELEPHONE COMPANY
OF MISSOURI

First Revised Page 6
Cancels Original Page 6

LOCAL EXCHANGE SERVICE RATE GROUPS

RECEIVED

FEB 03 1994

III. MOVEMENT OF EXCHANGES BETWEEN RATE GROUPS

A. The term "Rate Group" as used herein, refers to ~~Access Line Limits~~ as set forth in I.A. of this tariff section. **MISSOURI Public Service Commission**

B. An exchange is placed in a Rate Group on the basis of the number of central office access lines in that exchange. Access lines, included for this purpose, consist of all lines connected with classes of service found in Section 16 of this tariff and Semi-Public Paystations, Public Paystations, Customer-Owned Paystations (COCOT), Mobile Telephone Units, Centrex lines and the open end of Foreign Exchange Terminals. (AT)

C. When the number of access lines, as described in III.B. above, in a local calling area increases or decreases by growth or loss of access lines so that the number of access lines exceeds or falls below the Access Line Limits by as many as ten (10) access lines for the Rate Group in which the exchange is placed, and such count continues for four (4) consecutive months, then the exchange thus affected will be moved to the appropriate Rate Group after compliance with the procedures set forth in III.D. following.

D. When an exchange is to be moved from one Rate Group to another in accordance with the circumstances stated in III.C. above, the change will be effected by:

1. Notice of the change by publication in a newspaper in general circulation in the area and/or by personal or written notice to city officials and to officers of Chambers of Commerce or other similar organizations of the community involved.

2. Notice of the change by letter to the Missouri Public Service Commission, explaining the changes to be made, together with an attachment showing complete information as to the exchange affected and revised tariff sheets.

3. The new local service rates as set forth in the revised tariff sheets referred to in III.D.2. above will be made effective on the first billing date after acceptance of the filing by the Missouri Public Service Commission.

CANCELLED

APR 15 1997
BY 2nd R.S #6
Public Service Commission
MISSOURI

FILED

FEB 21 1994
94 - 237
MISSOURI
Public Service Commission

ISSUED:
February 3, 1994

BY: John L. Roe
Vice President - Administration
5454 West 110th Street
Overland Park, Kansas 66211

EFFECTIVE:
~~February 5, 1994~~
FEB 21 1994

GENERAL EXCHANGE TARIFF

UNITED TELEPHONE COMPANY
OF MISSOURI

Original Page 6
RECEIVED

LOCAL EXCHANGE SERVICE RATE GROUPS

SEP 17 1992

MISSOURI
Public Service Commission

III. MOVEMENT OF EXCHANGES BETWEEN RATE GROUPS

- A. The term "Rate Group" as used herein, refers to Access Line Limits as set forth in I.A. of this tariff section.
- B. An exchange is placed in a Rate Group on the basis of the number of central office access lines in that exchange. Access lines, included for this purpose, consist of all lines connected with classes of service found in Section 16 of this tariff and Semi-Public Paystations, Public Paystations, Customer-Owned Paystations (COCOT), Mobile Telephone Units and the open end of Foreign Exchange Terminals.
- C. When the number of access lines, as described in III.B. above, in a local calling area increases or decreases by growth or loss of access lines so that the number of access lines exceeds or falls below the Access Line Limits by as many as ten (10) access lines for the Rate Group in which the exchange is placed, and such count continues for four (4) consecutive months, then the exchange thus affected will be moved to the appropriate Rate Group after compliance with the procedures set forth in III.D. following.
- D. When an exchange is to be moved from one Rate Group to another in accordance with the circumstances stated in III.C. above, the change will be effected by:
 - 1. Notice of the change by publication in a newspaper in general circulation in the area and/or by personal or written notice to city officials and to officers of Chambers of Commerce or other similar organizations of the community involved.
 - 2. Notice of the change by letter to the Missouri Public Service Commission, explaining the changes to be made, together with an attachment showing complete information as to the exchange affected and revised tariff sheets.
 - 3. The new local service rates as set forth in the revised tariff sheets referred to in III.D.2. above will be made effective on the first billing date after acceptance of the filing by the Missouri Public Service Commission.

CANCELLED

FILED

FEB 21 1994

NOV 7 1992

BY let R.S. #6

MO. PUBLIC SERVICE COMM.

Public Service Commission

EFFECTIVE:

BY: John L. ROSS

~~October 17, 1992~~

ISSUED:
September 17, 1992

Vice President - Administration
5454 West 110th Street
Overland Park, Kansas 66211

NOV 7 1992

GENERAL EXCHANGE TARIFF

Embarq Missouri, Inc.
d/b/a Embarq

Twenty-Sixth Revised Page 7 (C)
Cancels Twenty-Fifth Revised Page 7 (C)

LOCAL EXCHANGE SERVICE (C)

IV. LOCAL MEASURED SERVICE (LMS) (M) (T)

A. APPLICATION AND REGULATIONS

- 1. Customers will have under this tariff offering the option of subscribing to Local Measured Service which provides for measured calling to all points within the existing non-toll calling area.
- 2. Business and residence **individual line** customers will have the option of maintaining their current telephone service or changing to local measured service. (T)
- 3. Normal service connection charges for existing customers will not apply for one customer conversion to and/or from the local measured service offering within the six month period commencing with the offering date of LMS in an exchange. Any conversion to or from LMS in excess of this allowance will be billed at the following rates:

Simple customers	\$10.25
Complex customers	\$14.70

- 4. All customer lines equipped for outward calling at a given location must be arranged for local measured service. Group billing shall be provided on rotary and PBX trunks.
- 5. Local usage charges will not apply to calls to the Company Business Office or Repair Service, Long Distance Carrier Access Trunks or for Emergency Service as found in the local exchange telephone directory.
- 6. Local measured service will not be provided for Foreign Exchange, Payphone Line Service, and Centrex lines.
- 7. Local Measured Service access line charges are billed one month in advance with usage charges billed under the bulk bill plan one month in arrears. Optional detail billing is available at an additional charge as specified under C.3.c. of this tariff. (M)
- 8. **Local Measured Service is offered in exchanges** where it is technologically and economically feasible. (M1)(T)
(M1)

(M) Material now appearing on this page was previously found on Fourth Revised Page 20.
(M1) Material now appearing on this page was previously found on Fifteenth Revised Page 21.

ISSUED:
January 20, 2009

BY: Darlene N. Terry
Manager - Tariffs
5454 W. 110th Street
Overland Park, Kansas 66211

EFFECTIVE:
February 1, 2009

P.S.C. MO.-No. 22 Section 16
GENERAL EXCHANGE TARIFF

SPRINT MISSOURI, INC.
d/b/a SPRINT

Twenty-fifth Revised Page 7
Cancels Twenty-fourth Revised Page 7

LOCAL EXCHANGE SERVICE RATE GROUPS

Reserved for Future Filing

(RT)

(RT)

ISSUED:
December 27, 2001

BY: Richard D. Lawson
State Executive, External Affairs
319 Madison
Jefferson City, MO 65101

EFFECTIVE:
January 26, 2002

CANCELLED
February 1, 2009
Missouri Public
Service Commission
JI-2009-0528

Filed
Missouri Public
Service Commission

GENERAL EXCHANGE TARIFF

SPRINT MISSOURI, INC.
d/b/a SPRINT

Twenty-fourth Revised Page 7
Cancels Twenty-third Revised Page 7
Missouri Public

LOCAL EXCHANGE SERVICE RATE GROUPS

REC'D AUG 17 2001

IV. MONTHLY RATES - RATE GROUP I (1 - 1,300)

All monthly local exchange rates include Touch Tone Service.

Service Commission (AT)

A. Local Exchange Service Rates shown below apply to the following exchanges.

Appleton City	Blackburn	Blairstown	Brazito*
Calhoun	Camden Pt.	Centertown*	Centerview*
Chilhowee	Clarksburg	Coal*	Craig
Dearborn	Deepwater	Edgerton	Eugene*
Fairfax	Green Ridge	Hardin	Henrietta
	Hopkins	Houstonia	Ionia*
King City	Kingsville*	Leeton	Lincoln
Malta Bend	Missouri City	Montrose	New Bloomfield*
	Norborne*	Orrick	Otterville
Pickering*		St. Thomas*	Smithton
Strasburg		Syracuse	Taos*
		Urich*	Waverly
Wellington			

Business

One-Party	\$14.46
Trunk (Flat)	20.68

Residence

One-Party	8.62
Trunk	10.95

CANCELLED

JAN 26 2002

Public Service Commission
MISSOURI

*EAS additives for these exchanges are found on the sheet immediately following.

Missouri Public

FILED SEP 17 2001

Service Commission

EFFECTIVE:

September 17, 2001

ISSUED:
August 17, 2001

BY: Richard D. Lawson
State Executive, External Affairs
319 Madison
Jefferson City, MO 65101

GENERAL EXCHANGE TARIFF

SPRINT MISSOURI, INC.
d/b/a SPRINT

Twenty-third Revised Page 7
Cancels Twenty-second Revised Page 7

RECEIVED

LOCAL EXCHANGE SERVICE RATE GROUPS

JAN 31 2001

IV. MONTHLY RATES - RATE GROUP I (1 - 1,300)

A. Local Exchange Service Rates shown below apply to the following exchanges

**MISSOURI
Public Service Commission**

Appleton City	Blackburn	Blairstown	Brazito*	(CR)
Calhoun	Camden Pt.	Centertown*	Centerview*	
Chilhowee	Clarksburg	Coal*	Craig	
Dearborn	Deepwater	Edgerton	Eugene*	
Fairfax	Green Ridge	Hardin	Henrietta	
	Hopkins	Houstonia	Ionia*	
King City	Kingsville*	Leeton	Lincoln	
Malta Bend	Missouri City	Montrose	New Bloomfield*	(DR)
	Norborne*	Orrick	Otterville	(DR)
Pickering*		St. Thomas*	Smithton	(DR)
Strasburg		Syracuse	Taos*	
		Urich*	Waverly	(CR)
Wellington				

Business

One-Party	\$14.46
Trunk (Flat)	20.68

(DR)

Residence

One-Party	8.62
Trunk	10.95

(DR)

CANCELLED

SEP 17 2001

By *24WRP#7*
Public Service Commission
MISSOURI

*EAS additives for these exchanges are found on the sheet immediately following.

FILED

(RT)

MAR 07 2001

ISSUED:
January 31, 2001

BY: Richard D. Lawson
State Executive, External Affairs
319 Madison
Jefferson City, MO 65101

**MISSOURI
Public Service Commission** EFFECTIVE: ~~March 21, 2001~~

MAR 07 2001

GENERAL EXCHANGE TARIFF

SPRINT MISSOURI, INC.
d/b/a SPRINT

Twenty-second Revised Page 7
Cancels Twenty-first Revised Page 7

RECEIVED

LOCAL EXCHANGE SERVICE RATE GROUPS

JAN 16 2001

IV. MONTHLY RATES - RATE GROUP I (1 - 1,300)

A. Local Exchange Service Rates shown below apply to the following exchanges as **MISSOURI Public Service Commission**

Appleton City (1)	Blackburn (1)	Blairstown (1)	Brazito*(1)	
Calhoun (1)	Camden Pt. (1)	Centertown*(1)	Centerview*(1)	
Chilhowee (1)	Clarksburg (1)	Coal*(1)	Craig (1)	
Dearborn	Deepwater (1)	Edgerton (1)	Eugene* (1)	
Fairfax (1)	Green Ridge (1)	Hardin (1)	Henrietta (1)	
	Hopkins	Houstonia	Ionia*	
King City (1)	Kingsville*(1)	Leeton (1)	Lincoln (1)	
Malta Bend (1)	Missouri City (1)	Montrose	New Bloomfield*(1)	
Newburg (1)	Norborne*(1)	Orrick (1)	Otterville (1)	
Pickering*		St. Thomas*(1)	Smithton	
Strasburg (1)	Sweet Springs (1)	Syracuse (1)	Taos*(1)	
Tarkio (1)		Urish	Waverly (1)	(DR)
Wellington (1)				

Business

One-Party	\$14.46
Trunk (Flat)	20.68
Four-Party	11.11

Residence

One-Party	8.62
Four-Party	6.97
Trunk	10.95

CANCELLED

MAR 07 2001
By *23 RP 7*
Public Service Commission
MISSOURI

FILED

FEB 15 2001

MISSOURI Public Service Commission

*EAS additives for these exchanges are found on the sheet immediately following.

(1) Denotes an exchange that is exclusively one-party.

ISSUED:
January 16, 2001

BY: Richard D. Lawson
State Executive, External Affairs
319 Madison
Jefferson City, MO 65101

EFFECTIVE:
February 15, 2001

GENERAL EXCHANGE TARIFF

SPRINT MISSOURI, INC.
d/b/a SPRINT

Twenty-first Revised Page 7
Cancels Twentieth Revised Page 7

Missouri Public
Service Commission

LOCAL EXCHANGE SERVICE RATE GROUPS

RECD OCT 27 2000

IV. MONTHLY RATES - RATE GROUP I (1 - 1,300)

A. Local Exchange Service Rates shown below apply to the following exchanges.

Appleton City (1)	Blackburn (1)	Blairstown (1)	Brazito*(1)
Calhoun (1)	Camden Pt. (1)	Centertown*(1)	Centerview*(1)
Chilhowee (1)	Clarksburg (1)	Coal*(1)	Craig (1)
Dearborn	Deepwater (1)	Edgerton (1)	Eugene* (1)
Fairfax (1)	Green Ridge (1)	Hardin (1)	Henrietta (1)
	Hopkins	Houstonia	Ionia*
King City (1)	Kingsville*(1)	Leeton (1)	Lincoln (1)
Malta Bend (1)	Missouri City (1)	Montrose	New Bloomfield*(1)
Newburg (1)	Norborne*(1)	Orrick (1)	Otterville (1)
Pickering*		St. Thomas*(1)	Smithton
Strasburg (1)	Sweet Springs (1)	Syracuse (1)	Taos*(1)
Tarkio (1)		Urich*	Waverly (1)
Wellington (1)			

(RT)
|
(RT)

Business

One-Party	\$14.46
Trunk (Flat)	20.68
Four-Party	11.11

(CR)(DR)
| |
(CR)(DR)

CANCELLED

Residence

One-Party	8.62
Four-Party	6.97
Trunk	10.95

(CR)(DR)
| |
(CR)(DR)

FEB 15 2001
By 22nd RP7
Public Service Commission
MISSOURI

* EAS additives for these exchanges are found on the sheet immediately following.

(1) Denotes an exchange that is exclusively **one-party**.

Missouri Public
Service Commission

(RT)
(RT)

FILED DEC 11 2000

ISSUED:
October 27, 2000

BY: Richard D. Lawson
State Executive, External Affairs
319 Madison
Jefferson City, MO 65101

EFFECTIVE:
December 11, 2000

GENERAL EXCHANGE TARIFF

SPRINT MISSOURI, INC.
d/b/a SPRINT

Twentieth Revised Page 7
Cancels Nineteenth Revised Page 7

LOCAL EXCHANGE SERVICE RATE GROUPS

Missouri Public Service Commission

IV. MONTHLY RATES - RATE GROUP I (1 - 1,300)

REC'D JAN 31 2000

A. Local Exchange Service Rates shown below apply to the following exchanges.

Appleton City (1)	Blackburn (1)	Blairstown (1)	Brazito*(1)	
Calhoun (1)	Camden Pt. (1)	Centertown*(1)	Centerview*(1)	(CT)
Chilhowee (1)	Clarksburg (1)	Coal*(1)	Craig (1)	
Dearborn	Deepwater (1)	Edgerton (1)	Eugene* (1)	
Fairfax (1)	Green Ridge (1)	Hardin (1)	Henrietta (1)	(CT)
	Hopkins	Houstonia	Ionia*	
King City (1)	Kingsville*(1)	Leeton (1)	Lincoln (1)	(CT)
Malta Bend (1)	Missouri City (1)	Montrose	New Bloomfield*(1)	
Newburg (1)	Norborne*(1)	Orrick (1)	Otterville (1)	(CT)
Pickering*		St. Thomas*(1)	Smithton	
Strasburg (1)	Sweet Springs (1)	Syracuse (1)	Taos*(1)	(CT)
Tarkio (1)		Urich*	Waverly (1)	
Wellington (1)				

Inside Initial Rate Area

Outside Initial Rate Area - Within Zones

Business

		<u>1</u>	<u>2</u>	<u>3</u>	<u>4</u>
One-Party	\$10.85	\$13.20	\$15.50	\$17.85	\$20.15
Trunk (Flat)	18.60	20.95	23.25	25.60	27.90
Four-Party	7.50	12.05	12.05	12.05	12.05

Residence

		<u>1</u>	<u>2</u>	<u>3</u>	<u>4</u>
One-Party	5.42	7.77	10.07	12.42	14.72
Four-Party	3.77	5.92	5.92	5.92	5.92
Trunk	9.35	11.70	14.00	16.35	18.65

* EAS additives for these exchanges are found on the sheet immediately following.

(1) Denotes an exchange that is exclusively one-party. Only Zone 1 mileage charges of \$2.35 are applicable outside the initial rate area. (See Section 17 for complete schedule of rates.)

Missouri Public Service Commission

CANCELLED

DEC 11 2000

21 57 RP 7

Public Service Commission
MISSOURI

FILED MAR 01 2000

ISSUED:
January 31, 2000

BY: Richard D. Lawson
State Executive, External Affairs
319 Madison
Jefferson City, MO 65101

EFFECTIVE:
March 1, 2000

GENERAL EXCHANGE TARIFF

SPRINT MISSOURI, INC.
d/b/a SPRINT

Nineteenth Revised Page 7
Cancels Eighteenth Revised Page 7

Missouri Public
Service Commission

LOCAL EXCHANGE SERVICE RATE GROUPS

REC'D OCT 27 1999

IV. MONTHLY RATES - RATE GROUP I (1 - 1,300)

A. Local Exchange Service Rates shown below apply to the following exchanges.

Appleton City (1)	Blackburn (1)	Blairstown (1)	Brazito*(1)
Calhoun (1)	Camden Pt. (1)	Centertown*	Centerview*(1)
Chilhowee (1)	Clarksburg (1)	Coal*(1)	Craig (1)
Dearborn	Deepwater (1)	Edgerton (1)	Eugene* (1)
Fairfax (1)	Green Ridge	Hardin (1)	Henrietta (1)
	Hopkins	Houstonia	Ionia*
King City	Kingsville*	Leeton	Lincoln (1)
Malta Bend (1)	Missouri City (1)	Montrose	New Bloomfield*(1)
Newburg (1)	Norborne*(1)	Orrick (1)	Otterville
Pickering*		St. Thomas*(1)	Smithton
Strasburg (1)	Sweet Springs (1)	Syracuse	Taos*(1)
Tarkio (1)		Urich*	Waverly (1)
Wellington (1)			

Inside Initial
Rate Area

Outside Initial Rate Area --
Within Zones

Business

		<u>1</u>	<u>2</u>	<u>3</u>	<u>4</u>	
One-Party	\$10.85	\$13.20	\$15.50	\$17.85	\$20.15	
Trunk (Flat)	18.60	20.95	23.25	25.60	27.90	(CR)
Four-Party	7.50	12.05	12.05	12.05	12.05	

Residence

One-Party	5.42	7.77	10.07	12.42	14.72	
Four-Party	3.77	5.92	5.92	5.92	5.92	
Trunk	9.35	11.70	14.00	16.35	18.65	(CR)

* EAS additives for these exchanges are found on the sheet immediately following.

(1) Denotes an exchange that is exclusively one-party. Only Zone 1 mileage charges of \$2.35 are applicable outside the initial rate area. (See Section 17 for complete schedule of rates.)

Missouri Public
Service Commission

FILED NOV 26 1999

EFFECTIVE:

November 26, 1999

ISSUED:
October 27, 1999

BY: Richard D. Lawson
State Executive, External Affairs
319 Madison
Jefferson City, MO 65101

CANCELLED

MAR 01 2000

By
Public Service Commission
MISSOURI

GENERAL EXCHANGE TARIFF

SPRINT MISSOURI, INC.
d/b/a SPRINT

Eighteenth Revised Page 7
Cancels Seventeenth Revised Page 7

LOCAL EXCHANGE SERVICE RATE GROUPS **Missouri Public Service Commission**

IV. MONTHLY RATES - RATE GROUP I (1 - 1,300)

REGD JAN 22 1999

A. Local Exchange Service Rates shown below apply to the following exchanges.

Appleton City (1)	Blackburn (1)	Blairstown (1)	Brazito*(1)	(CT)
Calhoun (1)	Camden Pt. (1)	Centertown*	Centerview*(1)	
Chilhowee (1)	Clarksburg (1)	Coal*(1)	Craig (1)	(CT)
Dearborn	Deepwater (1)	Edgerton (1)	Eugene* (1)	(CT)
Fairfax (1)	Green Ridge	Hardin (1)	Henrietta (1)	
	Hopkins	Houstonia	Ionia*	
King City	Kingsville*	Leeton	Lincoln (1)	
Malta Bend (1)	Missouri City (1)	Montrose	New Bloomfield*(1)	
Newburg (1)	Norborne*(1)	Orrick (1)	Otterville	
Pickering*		St. Thomas*(1)	Smithton	
Strasburg (1)	Sweet Springs (1)	Syracuse	Taos*(1)	(CT)
Tarkio (1)		Urich*	Waverly (1)	
Wellington (1)				

	Inside Initial Rate Area	Outside Initial Rate Area - Within Zones			
		<u>1</u>	<u>2</u>	<u>3</u>	<u>4</u>
<u>Business</u>					
One-Party	\$ 10.85	\$13.20	\$15.50	\$17.85	\$20.15
Trunk (Flat)	17.25	19.60	21.90	24.25	26.55
Four-Party	7.50	12.05	12.05	12.05	12.05

<u>Residence</u>					
One-Party	5.42	7.77	10.07	12.42	14.72
Four-Party	3.77	5.92	5.92	5.92	5.92
Trunk	8.67	11.02	13.32	15.67	17.97

CANCELLED
NOV 26 1999
By *LDH* RS#7
Public Service Commission
MISSOURI

* EAS additives for these exchanges are found on the sheet immediately following.

(1) Denotes an exchange that is exclusively one-party. Only Zone 1 mileage charges of \$2.35 are applicable outside the initial rate area. (See Section 17 for complete schedule of rates.)

Missouri Public Service Commission

FILED FEB 22 1999
EFFECTIVE:

ISSUED:
January 22, 1999

BY: Richard D. Lawson
State Executive, External Affairs
319 Madison
Jefferson City, MO 65101

February 22, 1999

P.S.C. MO.-No. 22 Section 16
 GENERAL EXCHANGE TARIFF

SPRINT MISSOURI, INC.
 d/b/a SPRINT

Seventeenth Revised Page 7
 Cancels Sixteenth Revised Page 7

RECEIVED

LOCAL EXCHANGE SERVICE RATE GROUPS

JUL 01 1998

IV. MONTHLY RATES - RATE GROUP I (1 - 1,300)

MO. PUBLIC SERVICE COMM

A. Local Exchange Service Rates shown below apply to the following exchanges.

Appleton City (1)	Blackburn (1)	Blairstown	Brazito*(1)	
Calhoun (1)	Camden Pt. (1)	Centertown*	Centerview*(1)	
Chilhowee	Clarksburg (1)	Coal*(1)	Craig (1)	
Dearborn	Deepwater	Edgerton (1)	Eugene* (1)	
Fairfax (1)	Green Ridge	Hardin (1)	Henrietta (1)	
	Hopkins	Houstonia	Ionia*	
King City	Kingsville*	Leeton	Lincoln (1)	
Malta Bend (1)	Missouri City (1)	Montrose	New Bloomfield*(1)	
Newburg (1)	Norborne*(1)	Orrick (1)	Oterville	(CT)
Pickering*		St. Thomas*(1)	Smithton	
Strasburg	Sweet Springs (1)	Syracuse	Taos*(1)	
Tarkio (1)		Urich*	Waverly (1)	(CT)
Wellington (1)				(CT)

	Inside Initial Rate Area	Outside Initial Rate Area - Within Zones			
		<u>1</u>	<u>2</u>	<u>3</u>	<u>4</u>
<u>Business</u>					
One-Party	\$ 10.85	\$13.20	\$15.50	\$17.85	\$20.15
Trunk (Flat)	17.25	19.60	21.90	24.25	26.55
Four-Party	7.50	12.05	12.05	12.05	12.05
<u>Residence</u>					
One-Party	5.42	7.77	10.07	12.42	14.72
Four-Party	3.77	5.92	5.92	5.92	5.92
Trunk	8.67	11.02	13.32	15.67	17.97

* EAS additives for these exchanges are found on the sheet immediately following.

(1) Denotes an exchange that is exclusively one-party. Only Zone 1 mileage charges of \$2.35 are applicable outside the initial rate area. (See Section 17 for complete schedule of rates.)

CANCELLED

ISSUED:
 July 1, 1998

BY Richard D. Lawson
 State Executive, External Affairs
 319 Madison
 Jefferson City, MO 65101

FILED
 EFFECTIVE
 August 1, 1998
AUG 01 1998

**MISSOURI
 Public Service Commission**

P.S.C. MO.-No. 22 Section 16
 GENERAL EXCHANGE TARIFF

SPRINT MISSOURI, INC.
 d/b/a SPRINT

Sixteenth Revised Page 7
 Cancels Fifteenth Revised Page 7
RECEIVED

LOCAL EXCHANGE SERVICE RATE GROUPS

MAY 07 1998

IV. MONTHLY RATES - RATE GROUP I (1 - 1,300)

MO. PUBLIC SERVICE COMM

A. Local Exchange Service Rates shown below apply to the following exchanges.

Appleton City (1)	Blackburn (1)	Blairstown	Brazito*(1)	
Calhoun (1)	Camden Pt. (1)	Centertown*	Centerview*(1)	
Chilhowee	Clarksburg (1)	Coal*(1)	Craig (1)	(CT)
Dearborn	Deepwater	Edgerton (1)	Eugene* (1)	(CT)
Fairfax (1)	Green Ridge	Hardin (1)	Henrietta (1)	
	Hopkins	Houstonia	Ionia*	
King City	Kingsville*	Leeton	Lincoln (1)	
Malta Bend (1)	Missouri City (1)	Montrose	New Bloomfield*(1)	
Newburg (1)	Norborne*	Orrick	Otterville	
Pickering*		St. Thomas*(1)	Smithton	
Strasburg	Sweet Springs (1)	Syracuse	Taos*(1)	
Tarkio (1)		Urich*	Waverly	
Wellington				

	<u>Inside Initial Rate Area</u>	<u>Outside Initial Rate Area - Within Zones</u>			
		<u>1</u>	<u>2</u>	<u>3</u>	<u>4</u>
<u>Business</u>					
One-Party	\$ 10.85	\$13.20	\$15.50	\$17.85	\$20.15
Trunk (Flat)	17.25	19.60	21.90	24.25	26.55
Four-Party	7.50	12.05	12.05	12.05	12.05
<u>Residence</u>					
One-Party	5.42	7.77	10.07	12.42	14.72
Four-Party	3.77	5.92	5.92	5.92	5.92
Trunk	8.67	11.02	13.32	15.67	17.97

* EAS additives for these exchanges are found on the sheet immediately following.

(1) Denotes an exchange that is exclusively one-party. Only Zone 1 mileage charges of \$2.35 are applicable outside the initial rate area. (See Section 17 for complete schedule of rates.)

CANCELLED

FILED

JUN 08 1998

AUG 01 1998

By THRS # 7

**Public Service Commission
 MISSOURI**

ISSUED:
 May 7, 1998

BY: Richard D. Lawson
 State Executive, External Affairs
 319 Madison
 Jefferson City, MO 65101

**MISSOURI
 Public Service Commission**
 EFFECTIVE: June 8, 1998

GENERAL EXCHANGE TARIFF

SPRINT MISSOURI, INC.
d/b/a SPRINT

Fifteenth Revised Page 7
Cancels Fourteenth Revised Page 7
RECEIVED

LOCAL EXCHANGE SERVICE RATE GROUPS

DEC 17 1997

IV. MONTHLY RATES - RATE GROUP I (1 - 1,300)

MISSOURI

A. Local Exchange Service Rates shown below apply to the following exchanges.

Public Service Commission

Appleton City (1)	Blackburn (1)	Blairstown	Brazito*(1)	
Calhoun (1)	Camden Pt. (1)	Centertown*	Centerview*	
Chilhowee	Clarksburg (1)	Coal*	Craig (1)	
Dearborn	Deepwater	Edgerton (1)	Eugene* (1)	
Fairfax (1)	Green Ridge	Hardin (1)	Henrietta (1)	(CT)
	Hopkins	Houstonia	Ionia*	
King City	Kingsville*	Leeton	Lincoln (1)	(CT)
Malta Bend (1)	Missouri City (1)	Montrose	New Bloomfield*(1)	
Newburg (1)	Norborne*	Orrick	Oterville	(CT)
Pickering*		St. Thomas*(1)	Smithton	
Strasburg	Sweet Springs (1)	Syracuse	Taos*(1)	
Tarkio (1)		Urich*	Waverly	
Wellington				

<u>Inside Initial Rate Area</u>	<u>Outside Initial Rate Area - Within Zones</u>			
-------------------------------------	---	--	--	--

Business

		<u>1</u>	<u>2</u>	<u>3</u>	<u>4</u>
One-Party	\$ 10.85	\$13.20	\$15.50	\$17.85	\$20.15
Trunk (Flat)	17.25	19.60	21.90	24.25	26.55
Four-Party	7.50	12.05	12.05	12.05	12.05

Residence

		<u>1</u>	<u>2</u>	<u>3</u>	<u>4</u>
One-Party	5.42	7.77	10.07	12.42	14.72
Four-Party	3.77	5.92	5.92	5.92	5.92
Trunk	8.67	11.02	13.32	15.67	17.97

* EAS additives for these exchanges are found on the sheet immediately following.

(1) Denotes an exchange that is exclusively one-party. Only Zone 1 mileage charges of \$2.35 are applicable outside the initial rate area. See Section 17 for complete schedule of rates.)

CANCELLED

JUN 08 1998

By John RS#7

Public Service Commission
MISSOURI

FILED

JAN 16 1998

MO. PUBLIC SERVICE COMMISSION

ISSUED:
December 17, 1997

BY: John L. Roe
VP - Carrier and Regulatory Services
5454 West 110th Street
Overland Park, Kansas 66211

EFFECTIVE:
January 16, 1998

GENERAL EXCHANGE TARIFF

UNITED TELEPHONE COMPANY
OF MISSOURI D/B/A SPRINT

Fourteenth Revised Page 7
Cancels Thirteenth Revised Page 7
RECEIVED

LOCAL EXCHANGE SERVICE RATE GROUPS NOV 12 1997

IV. MONTHLY RATES - RATE GROUP I (1 - 1,300)

A. Local Exchange Service Rates shown below apply to the following exchanges. **MO. PUBLIC SERVICE COMMISSION**

Appleton City (1)	Blackburn (1)	Blairstown	Brazito*(1)	
Calhoun (1)	Camden Pt. (1)	Centertown*	Centerview*	(CT)
Chilhowee	Clarksburg (1)	Coal*	Craig (1)	
Dearborn	Deepwater	Edgerton	Eugene* (1)	
Fairfax (1)	Green Ridge	Hardin	Henrietta (1)	
Holt (1)	Hopkins	Houstonia	Ionia*	
King City	Kingsville*	Leeton	Lincoln (1)	(CT)
Malta Bend	Missouri City (1)	Montrose	New Bloomfield*(1)	
Newburg (1)	Norborne*	Orrick	Otterville	
Pickering*		St. Thomas*(1)	Smithton	
Strasburg	Sweet Springs (1)	Syracuse	Taos*(1)	(CT)
Tarkio (1)		Urlich*	Waverly	(CT)
Wellington				(CT)

	Inside Initial Rate Area	Outside Initial Rate Area - Within Zones			
		<u>1</u>	<u>2</u>	<u>3</u>	<u>4</u>
<u>Business</u>					
One-Party	\$ 10.85	\$13.20	\$15.50	\$17.85	\$20.15
Trunk (Flat)	17.25	19.60	21.90	24.25	26.55
Four-Party	7.50	12.05	12.05	12.05	12.05
<u>Residence</u>					
One-Party	5.42	7.77	10.07	12.42	14.72
Four-Party	3.77	5.92	5.92	5.92	5.92
Trunk	8.67	11.02	13.32	15.67	17.97

* EAS additives for these exchanges are found on the sheet immediately following.

(1) Denotes an exchange that is exclusively one-party. Only Zone 1 mileage charges of \$2.35 are applicable outside the initial rate area. (See Section 17 for complete schedule of rates.)

CANCELLED

FILED

JAN 16 1998

DEC 12 1997

ISSUED:
November 12, 1997

By 154h PS #7
Public Service Commission
BY: John L. MISSOURI
VP - Carrier and Regulatory Services
5454 West 110th Street
Overland Park, Kansas 66211

MISSOURI
Public Service Commission
EFFECTIVE:
December 12, 1997

GENERAL EXCHANGE TARIFF

UNITED TELEPHONE COMPANY
OF MISSOURI D/B/A SPRINT

Thirteenth Revised Page 7
Cancels Twelfth Revised Page 7
RECEIVED

LOCAL EXCHANGE SERVICE RATE GROUPS OCT 10 1997

IV. MONTHLY RATES - RATE GROUP I (1 - 1,300)

MO. PUBLIC SERVICE COMM

A. Local Exchange Service Rates shown below apply to the following exchanges.

Appleton City	Blackburn (1)	Blairstown	Brazito* (1)	
Calhoun (1)	Camden Pt. (1)	Centertown*	Centerview*	(CT)
Chilhowee	Clarksburg (1)	Coal*	Craig (1)	
Dearborn	Deepwater	Edgerton	Eugene* (1)	
Fairfax (1)	Green Ridge	Hardin	Henrietta (1)	
Holt	Hopkins	Houstonia	Ionia*	
King City	Kingsville*	Leeton	Lincoln (1)	
Malta Bend	Missouri City (1)	Montrose	New Bloomfield* (1)	
Newburg (1)	Norborne*	Orrick	Otterville	(CT)
Pickering*		St. Thomas* (1)	Smithton	
Strasburg	Sweet Springs	Syracuse	Taos* (1)	
Tarkio		Urich*	Waverly	
Wellington				

	Inside Initial Rate Area	Outside Initial Rate Area - Within Zones			
		<u>1</u>	<u>2</u>	<u>3</u>	<u>4</u>
<u>Business</u>					
One-Party	\$ 10.85	\$13.20	\$15.50	\$17.85	\$20.15
Trunk (Flat)	17.25	19.60	21.90	24.25	26.55
Four-Party	7.50	12.05	12.05	12.05	12.05
<u>Residence</u>					
One-Party	5.42	7.77	10.07	12.42	14.72
Four-Party	3.77	5.92	5.92	5.92	5.92
Trunk	8.67	11.02	13.32	15.67	17.97

* EAS additives for these exchanges are found on the sheet immediately following.

(1) Denotes an exchange that is exclusively one-party. Only Zone 1 mileage charges of \$2.35 are applicable outside the initial rate area. (See Section 17 for complete schedule of rates.)

CANCELLED

FILED

DEC 12 1997

NOV 10 1997

By 14th R.S. #7
Public Service Commission
MISSOURI

MISSOURI
Public Service Commission

ISSUED:
October 10, 1997

EFFECTIVE:
November 10, 1997

BY: John L. Roe
VP - Carrier and Regulatory Services
5454 West 110th Street
Overland Park, Kansas 66211

GENERAL EXCHANGE TARIFF

UNITED TELEPHONE COMPANY
OF MISSOURI D/B/A SPRINT

Twelfth Revised Page 7
Cancels Eleventh Revised Page 7
RECEIVED

LOCAL EXCHANGE SERVICE RATE GROUPS

SEP - 8 1997

IV. MONTHLY RATES - RATE GROUP I (1 - 1,300)

MO. PUBLIC SERVICE COMM

A. Local Exchange Service Rates shown below apply to the following exchanges.

Appleton City	Blackburn (1)	Blairstown	Brazito*	(CT)
Calhoun (1)	Camden Pt. (1)	Centertown*	Centerview*	(CT)
Chilhowee	Clarksburg (1)	Coal*	Craig (1)	(CT)
Dearborn	Deepwater	Edgerton	Eugene* (1)	
Fairfax (1)	Green Ridge	Hardin	Henrietta (1)	
Holt	Hopkins	Houstonia	Ionia*	
King City	Kingsville*	Leeton	Lincoln (1)	
Malta Bend	Missouri City (1)	Montrose	New Bloomfield*	(CT)
Newburg (1)	Norborne*	Orrick	Otterville	
Pickering*		St. Thomas* (1)	Smithton	
Strasburg	Sweet Springs	Syracuse	Taos* (1)	
Tarkio		Urich*	Waverly	
Wellington				

Inside Initial
Rate Area

Outside Initial Rate Area -
Within Zones

1 2 3 4

Business

One-Party	\$ 10.85	\$13.20	\$15.50	\$17.85	\$20.15
Trunk (Flat)	17.25	19.60	21.90	24.25	26.55
Four-Party	7.50	12.05	12.05	12.05	12.05

Residence

One-Party	5.42	7.77	10.07	12.42	14.72
Four-Party	3.77	5.92	5.92	5.92	5.92
Trunk	8.67	11.02	13.32	15.67	17.97

* EAS additives for these exchanges are found on the sheet immediately following.

(1) Denotes an exchange that is exclusively one party. Only Zone 1 mileage charges of \$2.35 are applicable outside the initial rate area. (See Section 17 for complete schedule of rates.)

CANCELLED

FILED

NOV 10 1997

By 13 TR R.S. #71
Public Service Commission
MISSOURI

OCT 13 1997

ISSUED:
September 8, 1997

BY: John L. Roe
VP - Carrier and Regulatory Services
5454 West 110th Street
Overland Park, Kansas 66211

MISSOURI
Public Service Commission

OCT 13 1997

GENERAL EXCHANGE TARIFF

UNITED TELEPHONE COMPANY
OF MISSOURI D/B/A SPRINT

Eleventh Revised Page 7
Cancels Tenth Revised Page 7

LOCAL EXCHANGE SERVICE RATE GROUPS JAN 15 1997

IV. MONTHLY RATES - RATE GROUP I (1 - 1,300)

MISSOURI
Public Service Commission

A. Local Exchange Service Rates shown below apply to the following exchanges.

Appleton City	Blackburn	Blairstown	Brazito*	
Calhoun	Camden Pt.(1)	Centertown*	Centerview*	
Chilhowee	Clarksburg	Coal*	Craig (1)	
Dearborn	Deepwater	Edgerton	Eugene*(1)	
Fairfax (1)	Green Ridge	Hardin	Henrietta (1)	(CT)
Holt	Hopkins	Houstonia	Ionia*	
King City	Kingsville*	Leeton	Lincoln (1)	
Malta Bend	Missouri City	Montrose	New Bloomfield*	
Newburg (1)	Norborne*	Orrick	Otterville	
Pickering*		St. Thomas*(1)	Smithton	(CT)
Strasburg	Sweet Springs	Syracuse	Taos*(1)	
Tarkio		Urich*	Waverly	
Wellington				

<u>Inside Initial Rate Area</u>	<u>Outside Initial Rate Area - Within Zones</u>			
-------------------------------------	---	--	--	--

Business

		<u>1</u>	<u>2</u>	<u>3</u>	<u>4</u>
One-Party	\$ 10.85	\$13.20	\$15.50	\$17.85	\$20.15
Trunk (Flat)	17.25	19.60	21.90	24.25	26.55
Four-Party	7.50	12.05	12.05	12.05	12.05

CANCELLED

(RT)

Residence

		<u>1</u>	<u>2</u>	<u>3</u>	<u>4</u>
One-Party	5.42 ^{2.35}	7.77	10.07	12.42	14.77
Four-Party	3.77	5.92	5.92	5.92	5.92
Trunk	8.67	11.02	13.32	15.67	17.97

OCT 13 1997
12th R.S. #7
By Public Service Commission
MISSOURI

* EAS additives for these exchanges are found on the sheet immediately following.

(1) Denotes an exchange that is exclusively one-party. Only Zone 1 mileage charges of \$2.35 are applicable outside the initial rate area. (See Section 17 for complete schedule of rates.)

FILED

APR 15 1997

ISSUED:
January 15, 1997

BY: John L. Roe
VP - Carrier and Regulatory Services
5454 West 110th Street
Overland Park, Kansas 66211

MO. PUBLIC SERVICE COMMISSION
EFFECTIVE:
APR 15 1997

UNITED TELEPHONE COMPANY
OF MISSOURI D/B/A SPRINT

GENERAL EXCHANGE TARIFF

Tenth Revised Page 7
Cancels Ninth Revised Page 7

RECEIVED

LOCAL EXCHANGE SERVICE RATE GROUPS

DEC 18 1996

IV. MONTHLY RATES - RATE GROUP I (1 - 1,300)

A. Local Exchange Service Rates shown below apply to the following exchanges.

MISSOURI
Public Service Commission

Appleton City	Blackburn	Blairstown	Brazito*	
Calhoun	Camden Pt.(1)	Centertown*	Centerview*	
Chilhowee	Clarksburg	Coal*	Craig (1)	
Dearborn	Deepwater	Edgerton	Eugene*(1)	
Fairfax (1)	Green Ridge	Hardin	Henrietta (1)	(CT)
Holt	Hopkins	Houstonia	Ionia*	
King City	Kingsville*	Leeton	Lincoln (1)	
Malta Bend	Missouri City	Montrose	New Bloomfield*	
Newburg (1)	Norborne*	Orrick	Otterville	(CT)
Pickering*		St. Thomas*(1)	Smithton	
Strasburg	Sweet Springs	Syracuse	Taos*(1)	
Tarkio		Urich*	Waverly	
Wellington				

Inside Initial
Rate Area

Outside Initial Rate Area -
Within Zones

1 2 3 4

Business

One-Party	\$ 10.85	\$ 13.20	\$15.50	\$17.85	\$20.15
Trunk (Flat)	17.25	19.60	21.90	24.25	26.55
Four-Party	7.50	12.05	12.05	12.05	12.05
Semi-Public Coin	10.85	13.20	15.50	17.85	20.15

Residence

One-Party	5.42	7.77	10.07	12.42	14.72
Four-Party	3.77	5.92	5.92	5.92	5.92
Trunk	8.67	11.02	13.32	15.67	17.97

* EAS additives for these exchanges are found on the sheet immediately following.

(1) Denotes an exchange that is exclusively one-party. Only Zone 1 mileage charges of \$2.35 are applicable outside the initial rate area. (See Section 17 for complete schedule of rates.)

CANCELLED

APR 15 1997
BY 16th R.S. #
Public Service Commission
MISSOURI

FILED

JAN 20 1997

MO.PUBLICSERVICECOMM

ISSUED:
December 18, 1996

BY: John L. Roe
Vice President - Administration
5454 West 110th Street
Overland Park, Kansas 66211

EFFECTIVE:
January 20, 1997

GENERAL EXCHANGE TARIFF

UNITED TELEPHONE COMPANY
OF MISSOURI D/B/A SPRINT

Ninth Revised Page 7
Cancels Eighth Revised Page 7

RECEIVED

LOCAL EXCHANGE SERVICE RATE GROUPS

NOV 1 1996

IV. MONTHLY RATES - RATE GROUP I (1 - 1,300)

A. Local Exchange Service Rates shown below apply to the following exchanges. **MISSOURI Public Service Commission**

Appleton City	Blackburn	Blairstown	Brazito*	
Calhoun	Camden Pt. (1)	Centertown*	Centerview*	
Chilhowee	Clarksburg	Coal*	Craig (1)	
Dearborn	Deepwater	Edgerton	Eugene*(1)	
Fairfax (1)	Green Ridge	Hardin	Henrietta	
Holt	Hopkins	Houstonia	Ionia*	
King City	Kingsville*	Leeton	Lincoln (1)	
Malta Bend	Missouri City	Montrose	New Bloomfield*	
Newburg (1)	Norborne*	Orrick	Otterville	
Pickering*		St. Thomas*	Smithton	(MT)
Strasburg	Sweet Springs	Syracuse	Taos*(1)	
Tarkio		Urich*	Waverly	(MT)
Wellington				

Inside Initial
Rate Area

Outside Initial Rate Area -
Within Zones

Business

		1	2	3	4
One-Party	\$ 10.85	\$ 13.20	\$ 15.50	\$ 17.85	\$ 20.15
Trunk (Flat)	17.25	19.60	21.90	24.25	26.55
Four-Party	7.50	12.05	12.05	12.05	12.05
Semi-Public Coin	10.85	13.20	15.50	17.85	20.15

Residence

		1	2	3	4
One-Party	5.42	10.07	12.42	14.72	
Four-Party	3.73	5.92	5.92	5.92	5.92
Trunk	8.67	11.02	13.32	15.67	17.97

* EAS additives for these exchanges are found on the sheet immediately following.

(1) Denotes an exchange that is exclusively one-party. Only Zone 1 mileage charges of \$2.35 are applicable outside the initial rate area. (See Section 17 for complete schedule of rates.)

FILED

DEC 2 1996

ISSUED:
November 1, 1996

BY: John L. Roe
Vice President - Carrier and Regulatory Services
5454 West 110th Street
Overland Park, Kansas 66211

MO. PUBLIC SERVICE COMM
EFFECTIVE:
December 2, 1996

GENERAL EXCHANGE TARIFF

UNITED TELEPHONE COMPANY
OF MISSOURI D/B/A SPRINT

Eighth Revised Page 7
Cancels Seventh Revised Page 7

RECEIVED

LOCAL EXCHANGE SERVICE RATE GROUPS

OCT 21 1996

IV. MONTHLY RATES - RATE GROUP I (1 - 1,300)

MISSOURI
Public Service Commission

A. Local Exchange Service Rates shown below apply to the following exchanges.

Appleton City	Blackburn	Blairstown	Brazito*	
Calhoun	Camden Pt.(1)	Centertown*	Centerview*	
Chilhowee	Clarksburg	Coal*	Craig (1)	
Dearborn	Deepwater	Edgerton	Eugene*(1)	(CT)
Fairfax (1)	Green Ridge	Hardin	Henrietta	
Holt	Hopkins	Houstonia	Ionia*	
King City	Kingsville*	Leeton	Lincoln (1)	
Malta Bend	Missouri City	Montrose	New Bloomfield*	
Newburg (1)	Norborne*	Orrick	Otterville	
Pickering*	Russelville*	St. Thomas*	Smithton	
Strasburg	Sweet Springs	Syracuse	Taos*(1)	
Tarkio	Tipton	Urich*	Waynes	
Wellington				

CANCELLED

	<u>Inside Initial Rate Area</u>	<u>Outside Initial Rate Area - Within Zones</u>			
		1	2	3	4
<u>Business</u>					
One-Party	\$ 10.85	\$ 13.20	\$ 15.50	\$ 17.85	\$ 20.15
Trunk (Flat)	17.25	19.60	21.90	24.25	26.55
Four-Party	7.50	12.05	12.05	12.05	12.05
Semi-Public Coin	10.85	13.20	15.50	17.85	20.15
<u>Residence</u>					
One-Party	5.42	7.77	10.07	12.42	14.72
Four-Party	3.77	5.92	5.92	5.92	5.92
Trunk	8.67	11.02	13.32	15.67	17.97

DEC 2 1996
BY 9th R.S. #1
Public Service Commission
MISSOURI

* EAS additives for these exchanges are found on the sheet immediately following.

(1) Denotes an exchange that is exclusively one-party. Only Zone 1 mileage charges of \$2.35 are applicable outside the initial rate area. (See Section 17 for complete schedule of rates.)

FILED

NOV 22 1996

ISSUED:
October 21, 1996

BY: John L. Roe
Vice President - Carrier and Regulatory Services
5454 West 110th Street
Overland Park, Kansas 66211

MO. PUBLIC SERVICE COMM

EFFECTIVE:
November 22, 1996

GENERAL EXCHANGE TARIFF

UNITED TELEPHONE COMPANY
OF MISSOURI D/B/A SPRINT

Seventh Revised Page 7
Cancels Sixth Revised Page 7

RECEIVED

LOCAL EXCHANGE SERVICE RATE GROUPS

IV. MONTHLY RATES - RATE GROUP I (1 - 1,300)

OCT 4 1996

A. Local Exchange Service Rates shown below apply to the **MISSOURI** exchanges. **Public Service Commission**

Appleton City	Blackburn	Blairstown	Brazito*
Calhoun	Camden Pt.(1)	Centertown*	Centerview*
Chilhowee	Clarksburg	Coal*	Craig (1)
Dearborn	Deepwater	Edgerton	Eugene*
Fairfax (1)	Green Ridge	Hardin	Henrietta
Holt	Hopkins	Houstonia	Ionia*
King City	Kingsville*	Leeton	Lincoln (1)
Malta Bend	Missouri City	Montrose	New Bloomfield*
Newburg (1)	Norborne*	Orrick	Otterville
Pickering*	Russelville*	St. Thomas*	Smithton
Strasburg	Sweet Springs	Syracuse	Taos*(1)
Tarkio	Tipton	Urich*	Waverly
Wellington			

(CT)

Inside Initial
Rate Area

Outside Initial Rate Area -
Within Zones

1 2 3 4

Business

One-Party	\$ 10.85	\$ 13.20	\$15.50	\$17.85	\$20.15
Trunk (Flat)	17.25	19.60	21.90	24.25	26.55
Four-Party	7.50	12.05	12.05	12.05	12.05
Semi-Public Coin	10.85	13.20	15.50	17.85	20.15

Residence

One-Party	5.42	7.77	10.07	12.42	14.72
Four-Party	3.77	5.92	5.92	5.92	5.92
Trunk	8.67	11.02	13.32	15.67	17.97

* EAS additives for these exchanges are found on the sheet immediately following.

(1) Denotes an exchange that is exclusively one-party. Only Zone 1 mileage charges of \$2.35 are applicable outside the initial rate area. (See Section 17 for complete schedule of rates.)

CANCELLED

FILED

NOV 22 1996
BY *[Signature]*
Public Service Commission
MISSOURI

NOV 5 1996

MO. PUBLIC SERVICE COMM

ISSUED:
October 4, 1996

BY: John L. Roe
Vice President - Carrier and Regulatory Services
5454 West 110th Street
Overland Park, Kansas 66211

EFFECTIVE:
November 5, 1996

GENERAL EXCHANGE TARIFF
 UNITED TELEPHONE COMPANY
 OF MISSOURI

Sixth Revised Page 7
 Cancels Fifth Revised Page 7

RECEIVED

LOCAL EXCHANGE SERVICE RATE GROUPS

DEC 8 - 1995

IV. MONTHLY RATES - RATE GROUP I (1 - 1,300)

**MISSOURI
 Public Service Commission**

A. Local Exchange Service Rates shown below apply to the following exchanges.

Appleton City	Blackburn	Blairstown	Brazito*	
Calhoun	Camden Pt.(1)	Centertown*	Centerview*	
Chilhowee	Clarksburg	Coal*	Craig (1)	
Dearborn	Deepwater	Edgerton	Eugene*	
Fairfax (1)	Green Ridge	Hardin	Henrietta	
Holt	Hopkins	Houstonia	Ionia*	
King City	Kingsville*	Leeton	Lincoln (1)	(AT)
Malta Bend	Missouri City	Montrose	New Bloomfield*	
Newburg (1)	Norborne*	Orrick	Otterville	(AT)
Pickering*	Russelville*	St. Thomas*	Smithton	
Strasburg	Sweet Springs	Syracuse	Taos*	
Tarkio	Tipton	Urich*	Waverly	
Wellington				

⊙ Inside Initial
 Rate Area

Outside Initial Rate Area -
 Within Zones

Business

		<u>1</u>	<u>2</u>	<u>3</u>	<u>4</u>
One-Party	\$ 10.85	\$ 13.20	\$15.50	\$17.85	\$20.15
Trunk (Flat)	17.25	19.60	21.90	24.25	26.55
Four-Party	7.50	12.05	12.05	12.05	12.05
Semi-Public Coin	10.85	13.20	15.50	17.85	20.15

Residence

One-Party	5.42	7.77	10.07	12.42	14.72
Four-Party	3.77	5.92	5.92	5.92	5.92
Trunk	8.67	11.02	13.32	15.67	17.97

CANCELLED
 NOV 5 1995
 BY *7th R.S.#7*
 Public Service Commission
 MISSOURI

* EAS additives for these exchanges are found on the sheet immediately following.

(1) Denotes an exchange that is exclusively one-party. Only Zone 1 mileage charges of \$2.35 are applicable outside the initial rate area. (See Section 17 for complete schedule of rates.)

FILED

JAN 8 1996

MO. PUBLIC SERVICE COMM.

ISSUED:

December 8, 1995

BY: John L. Roe

EFFECTIVE:

January 8, 1996

Vice President - Carrier and Regulatory Services
 5454 West 110th Street
 Overland Park, Kansas 66211

UNITED TELEPHONE COMPANY
OF MISSOURI

GENERAL EXCHANGE TARIFF

Fifth Revised Page 7
Cancels Fourth Revised Page 12
RECEIVED

LOCAL EXCHANGE SERVICE RATE GROUPS

SEP 1 1995

IV. MONTHLY RATES - RATE GROUP I (1 - 1,300)

MO. PUBLIC SERVICE COMM.

A. Local Exchange Service Rates shown below apply to the following exchanges.

Appleton City	Blackburn	Blairstown	Brazito*
Calhoun	Camden Pt.(1)	Centertown*	Centerview*
Chilhowee	Clarksburg	Coal*	Craig (1)
Dearborn	Deepwater	Edgerton	Eugene*
Fairfax (1)	Green Ridge	Hardin	Henrietta (AT)
Holt	Hopkins	Houstonia	Ionia*
King City	Kingsville*	Leeton	Lincoln
Malta Bend	Missouri City	Montrose	New Bloomfield*
Newburg	Norborne*	Orrick	Otterville
Pickering*	Russelville*	St. Thomas*	Smithton
Strasburg	Sweet Springs	Syracuse	Taos*
Tarkio	Tipton	Urich*	Waverly
Wellington			

Inside Initial
Rate Area

Outside Initial Rate Area -
Within Zones

		1	2	3	4
<u>Business</u>					
One-Party	\$ 10.85	\$ 13.20	\$15.50	\$17.85	\$20.15
Trunk (Flat)	17.25	19.60	21.90	24.25	26.55
Four-Party	7.50	12.05	12.05	12.05	12.05
Semi-Public Coin	10.85	13.20	15.50	17.85	20.15
<u>Residence</u>					
One-Party	5.42	7.77	10.07	12.42	14.72
Four-Party	3.77	5.92	5.92	5.92	5.92
Trunk	8.67	11.02	13.32	15.67	17.97

* EAS additives for these exchanges are found on the sheet immediately following.

(1) Denotes an exchange that is exclusively one-party. Only Zone 1 mileage charges of \$2.35 are applicable outside the initial rate area. (See Section 17 for complete schedule of rates.)

CANCELLED

FILED

OCT 3 1995

ISSUED:
September 1, 1995

BY: *John L. Roe*
Public Service Commission
MISSOURI

MISSOURI
Public Service Commission
October 3, 1995

Vice President - Carrier and Regulatory Services
5454 West 110th Street
Overland Park, Kansas 66211

UNITED TELEPHONE COMPANY
OF MISSOURI

GENERAL EXCHANGE TARIFF

Fourth Revised Page 7
Cancels Third Revised Page 7

LOCAL EXCHANGE SERVICE RATE GROUPS

RECEIVED

SEP 13 1994

IV. MONTHLY RATES - RATE GROUP I (1 - 1,300)

A. Local Exchange Service Rates shown below apply to the following exchanges. **MO. PUBLIC SERVICE COMM.**

Appleton City	Blackburn	Blairstown	Brazito*	
Calhoun	Camden Pt. (1)	Centertown*	Centerview*	
Chilhowee	Clarksburg	Coal*	Craig (1)	(AT)
Dearborn	Deepwater	Edgerton	Eugene*	
Fairfax	Green Ridge	Hardin	Henrietta	
Holt	Hopkins	Houstonia	Ionia*	
King City	Kingsville*	Leeton	Lincoln	
Malta Bend	Missouri City	Montrose	New Bloomfield*	
Newburg	Norborne*	Orrick	Otterville	
Pickering*	Russelville*	St. Thomas*	Smithton	
Strasburg	Sweet Springs	Syracuse	Taos*	
Tarkio	Tipton	Urich*	Waverly	
Wellington				

Inside Initial
Rate Area

Outside Initial Rate Area -
Within Zones

1 2 3 4

Business

One-Party	\$ 10.85	\$ 13.20	\$ 15.50	\$ 17.85	\$ 20.15
Trunk	17.25	19.60	21.90	24.25	26.55
Four-Party	7.50	12.05	12.05	12.05	12.05
Semi-Public Coin	10.85	13.20	15.50	17.85	20.15

Residence

One-Party	5.42	10.07	12.42	14.72
Four-Party	3.73	5.92	5.92	5.92
Trunk	8.63	11.02	13.32	15.67

CANCELLED
OCT - 3 1995
BY 5th R.S. # 7
Public Service Commission
MISSOURI

* EAS additives for these exchanges are found on the sheet immediately following.

(1) Denotes an exchange that is exclusively one-party. Only Zone 1 mileage charges of \$2.35 are applicable outside the initial rate area. (See Section 17 for complete schedule of rates.)

FILED

OCT 13 1994

ISSUED:
September 13, 1994

BY: John L. Roe
Vice President - Administration
5454 West 110th Street
Overland Park, Kansas 66211

EFFECTIVE:
October 13, 1994
MISSOURI
Public Service Commission

UNITED TELEPHONE COMPANY
OF MISSOURI

GENERAL EXCHANGE TARIFF

Third Revised Page 7
Cancels Second Revised Page 7

RECEIVED

LOCAL EXCHANGE SERVICE RATE GROUPS

AUG 3 1994

IV. MONTHLY RATES - RATE GROUP I (1 - 1,300)

MO. PUBLIC SERVICE COMM.

A. Local Exchange Service Rates shown below apply to the following exchanges.

Appleton City	Blackburn	Blairstown	Brazito*	(AT)
Calhoun	Camden Pt.(1)	Centertown*	Centerview*	
Chilhowee	Clarksburg	Coal*	Craig	
Dearborn	Deepwater	Edgerton	Eugene*	
Fairfax	Green Ridge	Hardin	Henrietta	
Holt	Hopkins	Houstonia	Ionia*	
King City	Kingsville*	Leeton	Lincoln	
Malta Bend	Missouri City	Montrose	New Bloomfield*	
Newburg	Norborne*	Orrick	Otterville	
Pickering*	Russelville*	St. Thomas*	Smithton	
Strasburg	Sweet Springs	Syracuse	Taos*	
Tarkio	Tipton	Urich*	Waverly	
Wellington				

Inside Initial
Rate Area

Outside Initial Rate Area -
Within Zones

1 2 3 4

Business

One-Party	\$ 10.85	\$ 13.20	\$15.50	\$17.85	\$20.15
Trunk	17.25	19.60	21.90	24.25	26.55
Four-Party	7.50	12.05	12.05	12.05	12.05
Semi-Public Coin	10.85	13.20	15.50	17.85	20.15

Residence

One-Party	5.42	7.77	10.07	12.42	14.72
Four-Party	3.77	5.92	5.92	5.92	5.92
Trunk	8.67	11.02	13.32	15.67	17.97

* EAS additives for these exchanges are found on the sheet immediately following.

(1) Denotes an exchange that is exclusively one-party. Only Zone 1 mileage charges of \$2.35 are applicable outside the initial rate area. (See Section 17 for complete schedule of rates.)

(AT)
|
(AT)

CANCELLED
OCT 13 1994
BY *H. Th. R.S. #7*
Public Service Commission
MISSOURI

FILED

SEP - 3 1994

MISSOURI
Public Service Commission
EFFECTIVE:

ISSUED:
August 3, 1994

BY: John L. Roe
Vice President - Administration
5454 West 110th Street
Overland Park, Kansas 66211

September 3, 1994

GENERAL EXCHANGE TARIFF

UNITED TELEPHONE COMPANY
OF MISSOURI

Second Revised Page 7
Cancels First Revised Page 7

LOCAL EXCHANGE SERVICE RATE GROUPS

RECEIVED

FEB 03 1994

IV. MONTHLY RATES - RATE GROUP I (1 - 1,300)

A. Local Exchange Service Rates shown below apply to the following exchanges. **MISSOURI Public Service Commission**

Appleton City	Blackburn	Blairstown	Brazito*	(MT)
Calhoun	Camden Pt.	Centertown*	Centerview*	
Chilhowee	Clarksburg	Coal*	Craig	
Dearborn	Deepwater	Edgerton	Eugene*	
Fairfax	Green Ridge	Hardin	Henrietta	
Holt	Hopkins	Houstonia	Ionia*	
King City	Kingsville*	Leeton	Lincoln	
Malta Bend	Missouri City	Montrose	New Bloomfield*	
Newburg	Norborne*	Orrick	Otterville	
Pickering*	Russelville*	St. Thomas*	Smithton	
Strasburg	Sweet Springs	Syracuse	Taos*	
Tarkio	Tipton	Urich*	Waverly	
Wellington				(MT)

<u>Inside Initial Rate Area</u>	<u>Outside Initial Rate Area - Within Zones</u>			
	<u>1</u>	<u>2</u>	<u>3</u>	<u>4</u>

Business

One-Party	\$ 10.85	\$ 13.20	\$15.50	\$17.85	\$20.15
Trunk	17.25	19.60	21.90	24.25	26.55
Four-Party	7.50	12.05	12.05	12.05	12.05
Semi-Public Coin	10.85	13.20	15.50	17.85	20.15

Residence

One-Party	5.42	7.77	10.07	12.42	14.72
Four-Party	3.77	5.92	5.92	5.92	5.92
Trunk	8.67	11.02	13.32	15.67	17.97

* EAS additives for these exchanges are found on the sheet immediately following.

CANCELLED

SEP 3 1994
BY 3rd R.S. #7
Public Service Commission
MISSOURI

FILED

FEB 21 1994
94 - 237
MISSOURI
Public Service Commission

ISSUED:
February 3, 1994

BY: John L. Roe
Vice President - Administration
5454 West 110th Street
Overland Park, Kansas 66211

EFFECTIVE:
~~MAR 31 1994~~
FEB 21 1994

GENERAL EXCHANGE TARIFF

UNITED TELEPHONE COMPANY
OF MISSOURI

RECEIVED
First Revised Page 7
Cancels Original Page 7
NOV 2 1993

LOCAL EXCHANGE SERVICE RATE GROUPS

IV. MONTHLY RATES - RATE GROUP I (1 - 1,300)

MO. PUBLIC SERVICE COMM.

A. Local Exchange Service Rates shown below apply to the following exchanges.

Appleton City			Blackburn
Blainstown	Brazito*	Calhoun	Camden Pt.
Centertown*	Centerview*	Chilhowee	Clarksburg
Coal*	Craig	Dearborn	Deepwater
Edgerton	Eugene*	Fairfax	Green Ridge
Hardin	Henrietta	Holt	Hopkins
Houstonia	Ionia*	King City	Kingsville*
Leeton	Lincoln		Malta Bend
Missouri City	Montrose	New Bloomfield*	Newburg
Norborne*	Orrick	Otterville	
	Pickering*	Russelville*	St. Thomas*
		Smithton	
Strasburg	Sweet Springs	Syracuse	Taos*
Tarkio	Tipton	Urich*	Waverly
Wellington	Weston		

Inside Initial
Rate Area

Outside Initial Rate Area -
Within Zones

1 2 3 4

Business

One-Party	\$ 10.85	\$ 13.20	\$15.50	\$17.85	\$20.15	(CR)
Trunk	17.25	19.60	21.90	24.25	26.55	
Four-Party	7.50	12.05	12.05	12.05	12.05	(CT)
Semi-Public Coin	10.85	13.20	15.50	17.85	20.15	

Residence

One-Party	5.42	7.77	10.07	12.42	14.72	(CR)
Four-Party	3.77	5.92	5.92	5.92	5.92	
Trunk	8.67	11.02	13.32	15.67	17.97	(CR)

* EAS additives for these exchanges are found on the sheet immediately following.

CANCELLED

FEB 21 1994
BY 2nd R.S. #7
Public Service Commission
MISSOURI

FILED
NOV 7 1993
93 - 181
MO. PUBLIC SERVICE COMM.

ISSUED:
November 3, 1993

BY: John L. Roe
Vice President - Administration
5454 West 110th Street
Overland Park, Kansas 66211

EFFECTIVE:
November 7, 1993

GENERAL EXCHANGE TARIFF

UNITED TELEPHONE COMPANY
OF MISSOURI

Original Page 7
RECEIVED

LOCAL EXCHANGE SERVICE RATE GROUPS

SEP 17 1992

MISSOURI
Public Service Commission

IV. MONTHLY RATES - RATE GROUP I (1 - 1,300)

A. Local Exchange Service Rates shown below apply to the following exchanges.

Appleton City	Brazito*	Calhoun	Blackburn
Blairstown	Centerview*	Chilhowee	Camden Pt.
Centertown*	Craig	Dearborn	Clarksburg
Coal*	Eugene*	Fairfax	Deepwater
Edgerton	Henrietta	Holt	Green Ridge
Hardin	Ionia*	King City	Hopkins
Houstonia	Lincoln	New Bloomfield*	Kingsville*
Leeton	Montrose	Otterville	Malta Bend
Missouri City	Orrick	Russelville*	Newburg
Norborne*	Pickering*	Smithton	St. Thomas*
Strasburg	Sweet Springs	Syracuse	Taos*
Tarkio	Tipton	Urich*	Waverly
Wellington	Weston		

Inside Initial Rate Area	Outside Initial Rate Area - Within Zones
<u>1</u>	<u>2</u> <u>3</u> <u>4</u>

CANCELLED

Business

One-Party	\$ 7.50	\$12.15	\$14.50	\$16.80
Trunk	13.15	17.80	20.15	22.45
Four-Party	9.80	9.80	9.80	9.80
Semi-Public Coin	7.50	9.85	12.15	14.50

NOV 1 1993
13.15 BY LORRIS #1
Public Service Commission
MISSOURI

Residence

One-Party	3.75	6.10	8.40	10.75	13.05
Four-Party	2.65	4.80	4.80	4.80	4.80
Trunk	6.60	8.95	11.25	13.60	15.90

* EAS additives for these exchanges are found on the sheet immediately following.

** Business four-party service within the initial rate area is not available to new applicants. This service to existing customers will be upgraded to one-party service as facilities become available.

FILED

NOV 7 1992

MO. PUBLIC SERVICE COMM.

EFFECTIVE:

~~October 27, 1992~~

NOV 7 1992

ISSUED:
September 17, 1992

BY: John L. Roe
Vice President - Administration
5454 West 110th Street
Overland Park, Kansas 66211

GENERAL EXCHANGE TARIFF

Embarq Missouri, Inc.
d/b/a CenturyLink

Tenth Revised Page 8
Cancels Ninth Revised Page 8

LOCAL EXCHANGE SERVICE

IV. LOCAL MEASURED SERVICE (LMS) (Cont'd)

B. RATES AND CHARGES

1. Business and Residence Rates

<u>EXCHANGE</u>	<u>RESIDENCE</u>	<u>BUSINESS</u>	
	<u>Individual Line</u>	<u>Individual Line</u>	<u>Trunk</u>
Appleton City	\$17.39	\$20.00	\$24.00
Blackburn	17.39	20.00	24.00
Blairstown	17.39	20.00	24.00
Brazito	19.00	20.00	24.00
Buckner	19.00	20.00	24.00
Butler	18.16	20.00	24.00
Calhoun	17.39	20.00	24.00
California	17.70	20.00	24.00
Camden Point	17.39	20.00	24.00
Centertown	19.00	20.00	24.00
Centerview	19.00	20.00	24.00
Chilhowee	17.39	20.00	24.00
Clarksburg	17.39	20.00	24.00
Clinton	18.26	20.00	24.00
Coal	18.26	20.00	24.00
Cole Camp	17.70	20.00	24.00
Craig	17.39	20.00	24.00
Dearborn	17.39	20.00	24.00
Deepwater	17.39	20.00	24.00
Edgerton	17.39	20.00	24.00
Eugene	19.00	20.00	24.00
Fairfax	17.39	20.00	24.00
Ferrelview	19.00	20.00	24.00
Ft. Leonard Wood	19.00	20.00	24.00
Green Ridge	17.39	20.00	24.00
Hardin	17.39	20.00	24.00
Harrisonville	18.16	20.00	24.00
Henrietta	17.39	20.00	24.00
Holden	17.70	20.00	24.00
Holt	17.70	20.00	24.00
Hopkins ⁽¹⁾	17.39	20.00	24.00
Houstonia	17.39	20.00	24.00
Ionia	19.00	20.00	24.00
Jefferson City	19.00	20.00	24.00

(1)

(1)

(1) Includes North Hopkins, Iowa

ISSUED:
July 31, 2014

BY: Darlene N. Terry
Manager - Tariffs
5454 West 110th Street
Overland Park, KS 66211

EFFECTIVE:
September 1, 2014

MO 14-08

GENERAL EXCHANGE TARIFF

Embarq Missouri, Inc.
d/b/a CenturyLink

Ninth Revised Page 8
Cancels Eighth Revised Page 8 (C)

LOCAL EXCHANGE SERVICE

IV. LOCAL MEASURED SERVICE (LMS) (Cont'd)

B. RATES AND CHARGES

1. Business and Residence Rates

<u>EXCHANGE</u>	<u>RESIDENCE</u>	<u>BUSINESS</u>	
	<u>Individual Line</u>	<u>Individual Line</u>	<u>Trunk</u>
Appleton City	\$14.39 (1)	\$20.00 (1)	\$24.00 (1)
Blackburn	14.39	20.00	24.00
Blairstown	14.39 (1)	20.00	24.00
Brazito	16.00	20.00	24.00
Buckner	16.00 (1)	20.00	24.00
Butler	15.16	20.00	24.00
Calhoun	14.39	20.00	24.00
California	14.70	20.00	24.00
Camden Point	14.39 (1)	20.00	24.00
Centertown	16.00	20.00	24.00
Centerview	16.00	20.00	24.00
Chilhowee	14.39 (1)	20.00	24.00
Clarksburg	14.39	20.00	24.00
Clinton	15.26	20.00	24.00
Coal	15.26	20.00	24.00
Cole Camp	14.70	20.00	24.00
Craig	14.39	20.00	24.00
Dearborn	14.39	20.00	24.00
Deepwater	14.39	20.00	24.00
Edgerton	14.39 (1)	20.00	24.00
Eugene	16.00	20.00	24.00
Fairfax	14.39 (1)	20.00	24.00
Ferrelview	16.00	20.00	24.00
Ft. Leonard Wood	16.00	20.00	24.00
Green Ridge	14.39 (1)	20.00	24.00
Hardin	14.39	20.00	24.00
Harrisonville	15.16	20.00	24.00
Henrietta	14.39	20.00	24.00
Holden	14.70	20.00	24.00
Holt	14.70	20.00	24.00
Hopkins ⁽¹⁾	14.39	20.00	24.00
Houstonia	14.39	20.00	24.00
Ionia	16.00 (1)	20.00	24.00
Jefferson City	16.00	20.00 (1)	24.00 (1)

⁽¹⁾ Includes North Hopkins, Iowa

ISSUED:
December 1, 2011

CANCELLED
September 1, 2014
Missouri Public
Service Commission
JI-2015-0040

BY: Darlene N. Terry
Manager - Tariffs
5454 W. 110th Street
Overland Park, Kansas 66211

EFFECTIVE:
January 1, 2012

Filed
Missouri Public
Service Commission
JI-2012-0253

GENERAL EXCHANGE TARIFF

Embarq Missouri, Inc.
d/b/a Embarq

Eighth Revised Page 8 (C)
Cancels Seventh Revised Page 8 (C)

LOCAL EXCHANGE SERVICE (C)

IV. LOCAL MEASURED SERVICE (LMS) (Cont'd) (M)(T)

B. RATES AND CHARGES (M)(T)

1. Business and Residence Rates (N)

<u>EXCHANGE</u>	<u>RESIDENCE</u>	<u>BUSINESS</u>	
	<u>Individual Line</u>	<u>Individual Line</u>	<u>Trunk</u>
Appleton City	\$12.39 (1)	\$18.00 (1)	\$22.00 (1)
Blackburn	12.39	18.00	22.00
Blairstown	12.39	18.00	22.00
Brazito	16.00	18.00	22.00
Buckner	15.64	18.00	22.00
Butler	13.16	18.00	22.00
Calhoun	12.39	18.00	22.00
California	12.70	18.00	22.00
Camden Point	12.39	18.00	22.00
Centertown	16.00	18.00	22.00
Centerview	16.00	18.00	22.00
Chilhowee	12.39	18.00	22.00
Clarksburg	12.39	18.00	22.00
Clinton	13.26	18.00	22.00
Coal	13.26	18.00	22.00
Cole Camp	12.70	18.00	22.00
Craig	12.39	18.00	22.00
Dearborn	12.39	18.00	22.00
Deepwater	12.39	18.00	22.00
Edgerton	12.39	18.00	22.00
Eugene	16.00	18.00	22.00
Fairfax	12.39 (1)	18.00	22.00
Ferrelview	16.00	18.00	22.00
Ft. Leonard Wood	16.00	18.00	22.00
Green Ridge	12.39 (1)	18.00	22.00
Hardin	12.39	18.00	22.00
Harrisonville	13.16	18.00	22.00
Henrietta	12.39	18.00	22.00
Holden	12.70	18.00	22.00
Holt	12.70	18.00	22.00
Hopkins ⁽¹⁾	12.39	18.00	22.00
Houstonia	12.39	18.00	22.00
Ionia	15.64 (1)	18.00	22.00 (1)
Jefferson City	16.00	18.00 (1)	22.00 (R)

(1) Includes North Hopkins, Iowa (N)
(M) Material now appearing on this page was previously found on Fifteenth Revised Page 21.

ISSUED:
January 20, 2009

BY: Darlene N. Terry
Manager - Tariffs
5454 W. 110th Street
Overland Park, Kansas 66211

EFFECTIVE:
February 1, 2009

CANCELLED
January 01, 2012
Missouri Public
Service Commission
JI-2012-0253

FILED
Missouri Public
Service Commission
JI-2009-0528

P.S.C. MO.-No. 22 Section 16
GENERAL EXCHANGE TARIFF

SPRINT MISSOURI, INC.
d/b/a SPRINT

Seventh Revised Page 8
Cancels Sixth Revised Page 8

LOCAL EXCHANGE SERVICE RATE GROUPS

Reserved for Future Filing

(RT)

(RT)

(MT)

(MT)

(RT)

ISSUED:
December 27, 2001

BY: Richard D. Lawson
State Executive, External Affairs
319 Madison
Jefferson City, MO 65101

EFFECTIVE:
January 26, 2002

CANCELLED
February 1, 2009
Missouri Public
Service Commission
JI-2009-0528

Filed
Missouri Public
Service Commission

P.S.C. MO.-No. 22 Section 16
GENERAL EXCHANGE TARIFF

SPRINT MISSOURI, INC.
d/b/a SPRINT

Sixth Revised Page 8
Cancels Fifth Revised Page 8

RECEIVED

LOCAL EXCHANGE SERVICE RATE GROUPS

JAN 31 2001

IV. MONTHLY RATES - RATE GROUP I (1 - 1,300) (Cont'd)

B. EAS ADDITIVES

MISSOURI
Public Service Commission

BUSINESS

<u>EXCHANGES</u>	<u>One-Party</u>	<u>Trunks</u>
Brazito	\$ 7.30	\$ 7.30
Centertown	7.30	7.30
Centerview	7.00	7.00
Coal	4.35	4.35
Eugene	7.30	7.30
Ionia	6.35	6.35
Kingsville	2.75	2.75
New Bloomfield	7.30	7.30
Norborne	.65	.65
Pickering	7.30	7.30
St. Thomas	7.30	7.30
Taos	7.30	7.30

(DR)

(DR)

For description of the EAS additive for each Exchange, see VIII. "Extended Area Service" in this section.

CANCELLED

JAN 26 2002
By *HRP*
Public Service Commission
MISSOURI

FILED

MAR 07 2001

MISSOURI
Public Service Commission

ISSUED:
January 31, 2001

BY: Richard D. Lawson
State Executive, External Affairs
319 Madison
Jefferson City, MO 65101

EFFECTIVE:

MAR 07 2001

GENERAL EXCHANGE TARIFF

SPRINT MISSOURI, INC.
d/b/a SPRINT

Fifth Revised Page 8
Cancels Fourth Revised Page 8

RECEIVED

LOCAL EXCHANGE SERVICE RATE GROUPS

IV. MONTHLY RATES - RATE GROUP I (1 - 1,300) (Cont'd)

JAN 16 2001

B. EAS ADDITIVES

MISSOURI
Public Service Commission

BUSINESS

<u>EXCHANGES</u>	<u>One-Party</u>	<u>Trunks</u>	<u>Four-Party</u>	<u>Rural Four-Party</u>
Brazito	\$ 7.30	\$ 7.30	N/A	N/A
Centertown	7.30	7.30	N/A	N/A
Centerview	7.00	7.00	N/A	N/A
Coal	4.35	4.35	N/A	N/A
Eugene	7.30	7.30	N/A	N/A
Ionia	6.35	6.35	6.35	6.35
Kingsville	2.75	2.75	N/A	N/A
New Bloomfield	7.30	7.30	N/A	N/A
Norborne	.65	.65	N/A	N/A
Pickering	7.30	7.30	7.30	7.30
St. Thomas	7.30	7.30	N/A	N/A
Taos	7.30	7.30	N/A	N/A

(DR)

For description of the EAS additive for each Exchange, see VIII. "Extended Area Service" in this section.

CANCELLED

FILED

MAR 07 2001

FEB 15 2001

6th RP 8
Public Service Commission
MISSOURI

MISSOURI
Public Service Commission

ISSUED:
January 16, 2001

BY: Richard D. Lawson
State Executive, External Affairs
319 Madison
Jefferson City, MO 65101

EFFECTIVE:
February 15, 2001

GENERAL EXCHANGE TARIFF

SPRINT MISSOURI, INC.
d/b/a SPRINT

Fourth Revised Page 8
Cancels Third Revised Page 8

LOCAL EXCHANGE SERVICE RATE GROUPS

**Missouri Public
Service Commission**

IV. MONTHLY RATES - RATE GROUP I (1 - 1,300) (Cont'd)

REC'D JAN 31 2000

B. EAS ADDITIVES

BUSINESS

<u>EXCHANGES</u>	<u>One-Party</u>	<u>Trunks</u>	<u>Four-Party</u>	<u>Rural Four-Party</u>	
Brazito	\$ 7.30	\$ 7.30	N/A	N/A	
Centertown	7.30	7.30	N/A	N/A	(DR)
Centerview	7.00	7.00	N/A	N/A	
Coal	4.35	4.35	N/A	N/A	
Eugene	7.30	7.30	N/A	N/A	
Ionia	6.35	6.35	6.35	6.35	
Kingsville	2.75	2.75	N/A	N/A	(DR)
New Bloomfield	7.30	7.30	N/A	N/A	
Norborne	.65	.65	N/A	N/A	
Pickering	7.30	7.30	7.30	7.30	
St. Thomas	7.30	7.30	N/A	N/A	
Taos	7.30	7.30	N/A	N/A	
Urich	.30	.30	.30	.30	

For description of the EAS additive for each Exchange, see VIII. "Extended Area Service" in this section.

CANCELLED

FEB 15 2001

54 RP 8
**Public Service Commission
MISSOURI**

**Missouri Public
Service Commission**

FILED MAR 01 2000

ISSUED:
January 31, 2000

BY: Richard D. Lawson
State Executive, External Affairs
319 Madison
Jefferson City, MO 65101

EFFECTIVE:
March 1, 2000

GENERAL EXCHANGE TARIFF

SPRINT MISSOURI, INC.
d/b/a SPRINT

Third Revised Page 8
Cancels Second Revised Page 8

LOCAL EXCHANGE SERVICE RATE GROUPS

Missouri Public
Service Commission

IV. MONTHLY RATES - RATE GROUP I (1 - 1,300) (Cont'd)

REC'D JAN 28 1999

B. EAS ADDITIVES

BUSINESS

<u>EXCHANGES</u>	<u>One-Party</u>	<u>Trunks</u>	<u>Four-Party</u>	<u>Rural Four-Party</u>	
Brazito	\$ 7.30	\$ 7.30	N/A	N/A	(DR)
Centertown	7.30	7.30	7.30	7.30	
Centerview	7.00	7.00	N/A	N/A	(DR)
Coal	4.35	4.35	N/A	N/A	
Eugene	7.30	7.30	N/A	N/A	(DR)
Ionia	6.35	6.35	6.35	6.35	
Kingsville	2.75	2.75	2.75	2.75	
New Bloomfield	7.30	7.30	N/A	N/A	(DR)
Norborne	.65	.65	N/A	N/A	(DR)
Pickering	7.30	7.30	7.30	7.30	
St. Thomas	7.30	7.30	N/A	N/A	(DR)
Taos	7.30	7.30	N/A	N/A	(DR)
Urich	.30	.30	.30	.30	(CT)

For description of the EAS additive for each Exchange, see VIII. "Extended Area Service" in this section.

(RT)
(RT)

CANCELLED

MAR 01 2000

By 445 RPS

Public Service Commission
MISSOURI

Missouri Public
Service Commission

FILED FEB 22 1999

ISSUED:
January 22, 1999

BY: Richard D. Lawson
State Executive, External Affairs
319 Madison
Jefferson City, MO 65101

EFFECTIVE:
February 22, 1999

GENERAL EXCHANGE TARIFF

UNITED TELEPHONE COMPANY
OF MISSOURI d/b/a SPRINT

Second Revised Page 8
Cancels First Revised Page 8

RECEIVED

LOCAL EXCHANGE SERVICE RATE GROUPS

JAN 15 1997

IV. MONTHLY RATES - RATE GROUP I (1 - 1,300) (Cont'd)

B. EAS ADDITIVES

MISSOURI
Public Service Commission

BUSINESS

<u>EXCHANGES</u>	<u>One-Party</u>	<u>Trunks</u>	<u>Four-Party</u>	<u>Rural Four-Party</u>	(RT)
Brazito	\$ 7.30	\$ 7.30	\$ 7.30	\$ 7.30	(DR)
Centertown	7.30	7.30	7.30	7.30	
Centerview	7.00	7.00	7.00	7.00	
Coal	4.35	4.35	4.35	4.35	
Eugene	7.30	7.30	7.30	7.30	
Ionia	6.35	6.35	6.35	6.35	
Kingsville	2.75	2.75	2.75	2.75	
New Bloomfield	7.30	7.30	7.30	7.30	
Norborne	.65	.65	.65	.65	
Pickering	7.30	7.30	7.30	7.30	
St. Thomas	7.30	7.30	7.30	7.30	
Taos	7.30	7.30	7.30	7.30	
Urich*	.30	.30	.30	.30	(DR) (RT)

For description of the EAS additive for each Exchange, see VIII. "Extended Area Service" in this section.

*For description of the optional EAS additive for this exchange, see IV.A "Community Optional Service" Section 47 in this tariff.

CANCELLED

FEB 22 1999
By 3rd RS #8
Public Service Commission
MISSOURI

FILED

APR 15 1997

ISSUED:
January 15, 1997

BY: John L. Roe
Vice President - Carrier & Regulatory Services
5454 West 110th Street
Overland Park, Kansas 66211

MO. PUBLIC SERVICE COMMISSION

APR 15 1997

GENERAL EXCHANGE TARIFF

UNITED TELEPHONE COMPANY
OF MISSOURI D/B/A SPRINT

First Revised Page 8
Cancels Original Page 8

RECEIVED

LOCAL EXCHANGE SERVICE RATE GROUPS

NOV 1 1996

IV. MONTHLY RATES - RATE GROUP I (1 - 1,300) (Cont'd)

B. EAS ADDITIVES

**MISSOURI
Public Service Commission**

<u>BUSINESS</u> <u>EXCHANGES</u>	<u>One-Party</u>	<u>Trunks</u>	<u>Four-Party</u>	<u>Semi-Public Coin</u>	<u>Rural Four-Party</u>
Brazito	\$ 7.30	\$ 7.30	\$ 7.30	\$ 7.30	\$ 7.30
Centertown	7.30	7.30	7.30	7.30	7.30
Centerview	7.00	7.00	7.00	7.00	7.00
Coal	4.35	4.35	4.35	4.35	4.35
Eugene	7.30	7.30	7.30	7.30	7.30
Ionia	6.35	6.35	6.35	6.35	6.35
Kingsville	2.75	2.75	2.75	2.75	2.75
New Bloomfield	7.30	7.30	7.30	7.30	7.30
Norborne	.65	.65	.65	.65	.65
Pickering	7.30	7.30	7.30	7.30	7.30
St. Thomas	7.30	7.30	7.30	7.30	7.30
Taos	7.30	7.30	7.30	7.30	7.30
Urich*	.30	.30	.30	.30	.30

(MT)

For description of the EAS additive for each Exchange, see VIII. "Extended Area Service" in this section.

*For description of the optional EAS additive for this exchange, see IV.A "Community Optional Service" Section 47 in this tariff.

CANCELLED

APR 15 1997
BY 2nd R.S. #8
Public Service Commission
MISSOURI

FILED

DEC 2 1996

MO.PUBLICSERVICECOMM

ISSUED:
November 1, 1996

BY: John L. Roe
Vice President - Carrier and Regulatory Services
5454 West 110th Street
Overland Park, Kansas 66211

EFFECTIVE:
December 2, 1996

GENERAL EXCHANGE TARIFF

UNITED TELEPHONE COMPANY
OF MISSOURI

Original Page 8
RECEIVED

LOCAL EXCHANGE SERVICE RATE GROUPS

SEP 17 1992

IV. MONTHLY RATES - RATE GROUP I (1 - 1,300) (Cont'd)

MISSOURI
Public Service Commission

B. EAS ADDITIVES

BUSINESS

<u>EXCHANGES</u>	<u>One-Party</u>	<u>Trunk</u>	<u>Four-Party</u>	<u>Semi-Public Coin</u>	<u>Rural Four-Party</u>
Brazito	\$ 7.30	\$ 7.30	\$ 7.30	\$ 7.30	\$ 7.30
Centertown	7.30	7.30	7.30	7.30	7.30
Centerview	7.00	7.00	7.00	7.00	7.00
Coal	4.35	4.35	4.35	4.35	4.35
Eugene	7.30	7.30	7.30	7.30	7.30
Ionia	6.35	6.35	6.35	6.35	6.35
Kingsville	2.75	2.75	2.75	2.75	2.75
New Bloomfield	7.30	7.30	7.30	7.30	7.30
Norborne	.65	.65	.65	.65	.65
Pickering	7.30	7.30	7.30	7.30	7.30
Russellville	7.30	7.30	7.30	7.30	7.30
St. Thomas	7.30	7.30	7.30	7.30	7.30
Taos	7.30	7.30	7.30	7.30	7.30
Urich*	.30	.30	.30	.30	.30

For description of the EAS additive for each Exchange, see VIII. Extended Area Service" in this section.

*For description of the optional EAS additive for this exchange, see IV.A "Community Optional Service" Section 47 in this tariff.

CANCELLED

DEC 2 1995
BY *Let R.S. #8*
Public Service Commission
MISSOURI

FILED

NOV 7 1992

MO. PUBLIC SERVICE COMM.

ISSUED:
September 17, 1992

BY: John L. Roe
Vice President - Administration
5454 West 110th Street
Overland Park, Kansas 66211

EFFECTIVE:
~~SEP 17 1992~~
NOV 7 1992

GENERAL EXCHANGE TARIFF

Embarq Missouri, Inc.
d/b/a CenturyLink

Ninth Revised Page 9
Cancels Eighth Revised Page 9

LOCAL EXCHANGE SERVICE

IV. LOCAL MEASURED SERVICE (LMS) (Cont'd)

B. RATES AND CHARGES (Cont'd)

1. Business and Residence Rates (Cont'd)

<u>EXCHANGE</u>	<u>RESIDENCE</u>	<u>BUSINESS</u>	
	<u>Individual Line</u>	<u>Individual Line</u>	<u>Trunk</u>
Kearney	\$19.00	\$20.00	\$24.00
King City	17.39	20.00	24.00
Kingsville	18.74	20.00	24.00
Lake Lotawana	19.00	20.00	24.00
Lebanon	19.00	20.00	24.00
Leeton	17.39	20.00	24.00
Lexington	17.70	20.00	24.00
Lincoln	17.39	20.00	24.00
Lone Jack	17.70	20.00	24.00
Malta Bend	17.39	20.00	24.00
Maryville	18.26	20.00	24.00
Missouri City	17.39	20.00	24.00
Montrose	17.39	20.00	24.00
Mound City	17.70	20.00	24.00
New Bloomfield	19.00	20.00	24.00
Newburg	17.70	20.00	24.00
Norborne	19.00	20.00	24.00
Oak Grove	19.00	20.00	24.00
Odessa	19.00	20.00	24.00
Orrick	17.39	20.00	24.00
Otterville	17.39	20.00	24.00
Pickering	19.00	20.00	24.00
Platte City	19.00	20.00	24.00
Pleasant Hill	19.00	20.00	24.00
Richland	17.70	20.00	24.00
Rolla	19.00	20.00	24.00
Russellville	19.00	20.00	24.00
St. Robert	19.00	20.00	24.00
St. Thomas	19.00	20.00	24.00
Salem	18.16	20.00	24.00
Smithton	17.39	20.00	24.00
Strasburg	17.39	20.00	24.00
Sweet Springs	17.70	20.00	24.00
Syracuse	17.39	20.00	24.00

(1)

(1)

ISSUED:
July 31, 2014

BY: Darlene N. Terry
Manager - Tariffs
5454 West 110th Street
Overland Park, KS 66211

EFFECTIVE:
September 1, 2014

MO 14-08

GENERAL EXCHANGE TARIFF

Embarq Missouri, Inc.
d/b/a CenturyLink

Eighth Revised Page 9
Cancels Seventh Revised Page 9 (C)

LOCAL EXCHANGE SERVICE

IV. LOCAL MEASURED SERVICE (LMS) (Cont'd)

B. RATES AND CHARGES (Cont'd)

1. Business and Residence Rates (Cont'd)

<u>EXCHANGE</u>	<u>RESIDENCE</u>	<u>BUSINESS</u>	
	<u>Individual Line</u>	<u>Individual Line</u>	<u>Trunk</u>
Kearney	\$16.00	\$20.00 (1)	\$24.00 (1)
King City	14.39 (1)	20.00	24.00
Kingsville	15.74	20.00	24.00
Lake Lotawana	16.00 (1)	20.00	24.00
Lebanon	16.00	20.00	24.00
Leeton	14.39 (1)	20.00	24.00
Lexington	14.70	20.00	24.00
Lincoln	14.39	20.00	24.00
Lone Jack	14.70	20.00	24.00
Malta Bend	14.39	20.00	24.00
Maryville	15.26	20.00	24.00
Missouri City	14.39	20.00	24.00
Montrose	14.39	20.00	24.00
Mound City	14.70 (1)	20.00	24.00
New Bloomfield	16.00	20.00	24.00
Newburg	14.70 (1)	20.00	24.00
Norborne	16.00 (1)	20.00	24.00
Oak Grove	16.00	20.00	24.00
Odessa	16.00	20.00	24.00
Orrick	14.39 (1)	20.00	24.00
Otterville	14.39 (1)	20.00	24.00
Pickering	16.00	20.00	24.00
Platte City	16.00	20.00	24.00
Pleasant Hill	16.00	20.00	24.00
Richland	14.70 (1)	20.00	24.00
Rolla	16.00	20.00	24.00
Russellville	16.00	20.00	24.00
St. Robert	16.00	20.00	24.00
St. Thomas	16.00	20.00	24.00
Salem	15.16 (1)	20.00	24.00
Smithton	14.39	20.00	24.00
Strasburg	14.39	20.00	24.00
Sweet Springs	14.70	20.00	24.00
Syracuse	14.39 (1)	20.00 (1)	24.00 (1)

ISSUED:
December 1, 2011

CANCELLED
September 1, 2014
Missouri Public
Service Commission
JI-2015-0040

BY: Darlene N. Terry
Manager - Tariffs
5454 W. 110th Street
Overland Park, Kansas 66211

EFFECTIVE:
January 1, 2012

Filed
Missouri Public
Service Commission
JI-2012-0253

GENERAL EXCHANGE TARIFF

Embarq Missouri, Inc.
d/b/a Embarq

Seventh Revised Page 9 (C)
Cancels Sixth Revised Page 9 (C)

LOCAL EXCHANGE SERVICE (C)

IV. LOCAL MEASURED SERVICE (LMS) (Cont'd) (M)(T)

B. RATES AND CHARGES (Cont'd) (M)(T)

1. Business and Residence Rates (Cont'd) (N)

<u>EXCHANGE</u>	<u>RESIDENCE</u>	<u>BUSINESS</u>	
	<u>Individual Line</u>	<u>Individual Line</u>	<u>Trunk</u>
Kearney	\$16.00 (I)	\$18.00 (I)	\$22.00 (I)
King City	12.39	18.00	22.00
Kingsville	13.74	18.00	22.00
Lake Lotawana	15.64	18.00	22.00
Lebanon	16.00	18.00	22.00
Leeton	12.39	18.00	22.00
Lexington	12.70	18.00	22.00
Lincoln	12.39	18.00	22.00
Lone Jack	12.70	18.00	22.00
Malta Bend	12.39	18.00	22.00
Maryville	13.26	18.00	22.00
Missouri City	12.39	18.00	22.00
Montrose	12.39	18.00	22.00
Mound City	12.70	18.00	22.00
New Bloomfield	16.00	18.00	22.00
Newburg	12.70	18.00	22.00
Norborne	15.64	18.00	22.00
Oak Grove	16.00	18.00	22.00
Odessa	16.00	18.00	22.00
Orrick	12.39	18.00	22.00
Otterville	12.39	18.00	22.00
Pickering	16.00	18.00	22.00
Platte City	16.00	18.00	22.00
Pleasant Hill	16.00	18.00	22.00
Richland	12.70 (I)	18.00	22.00 (I)
Rolla	16.00	18.00	22.00 (R)
Russellville	16.00 (I)	18.00	22.00 (I)
St. Robert	16.00	18.00	22.00
St. Thomas	16.00 (I)	18.00	22.00
Salem	13.16	18.00	22.00
Smithton	12.39	18.00	22.00
Strasburg	12.39	18.00	22.00
Sweet Springs	12.70	18.00	22.00
Syracuse	12.39 (I)	18.00 (I)	22.00 (I)

(M) Material now appearing on this page was previously found on Second Revised Page 21.0.1.

ISSUED:
January 20, 2009

BY: Darlene N. Terry
Manager - Tariffs
5454 W. 110th Street
Overland Park, Kansas 66211

EFFECTIVE:
February 1, 2009

CANCELLED
January 01, 2012
Missouri Public
Service Commission
JI-2012-0253

FILED
Missouri Public
Service Commission
JI-2009-0528

P.S.C. MO.-No. 22 Section 16
GENERAL EXCHANGE TARIFF

SPRINT MISSOURI, INC.
d/b/a SPRINT

Sixth Revised Page 9
Cancels Fifth Revised Page 9

LOCAL EXCHANGE SERVICE RATE GROUPS

Reserved for Future Filing

(RT)

(RT)

(MT)

(MT)

(RT)

ISSUED:
December 27, 2001

BY: Richard D. Lawson
State Executive, External Affairs
319 Madison
Jefferson City, MO 65101

EFFECTIVE:
January 26, 2002

CANCELLED
February 1, 2009
Missouri Public
Service Commission
JI-2009-0528

Filed
Missouri Public
Service Commission

P.S.C. MO.-No. 22 Section 16
GENERAL EXCHANGE TARIFF

SPRINT MISSOURI, INC.
d/b/a SPRINT

Fifth Revised Page 9
Cancels Fourth Revised Page 9

RECEIVED

LOCAL EXCHANGE SERVICE RATE GROUPS

IV. MONTHLY RATES - RATE GROUP I (1 - 1,300) (Cont'd)

JAN 31 2001

B. EAS ADDITIVES (Continued)

MISSOURI
Public Service Commission
(DR)

RESIDENCE

EXCHANGES

	<u>One- Party</u>	<u>Trunks</u>
Brazito	\$ 3.65	\$ 3.65
Centertown	3.65	3.65
Centerview	3.50	3.50
Coal	2.15	2.15
Eugene	3.65	3.65
Ionia	3.20	3.20
Kingsville	1.35	1.35
New Bloomfield	3.65	3.65
Norborne	.35	.35
Pickering	3.65	3.65
St. Thomas	3.65	3.65
Taos	3.65	3.65

(DR)

For description of the EAS additive for each Exchange, see VIII. "Extended Area Service" in this section.

CANCELLED

JAN 26 2002
WLRP9
Public Service Commission
MISSOURI

FILED

MAR 07 2001

MISSOURI
Public Service Commission

ISSUED:
January 31, 2001

BY: Richard D. Lawson
State Executive, External Affairs
319 Madison
Jefferson City, MO 65101

EFFECTIVE:

MAR 07 2001

GENERAL EXCHANGE TARIFF

SPRINT MISSOURI, INC.
d/b/a SPRINT

Fourth Revised Page 9
Cancels Third Revised Page 9

RECEIVED

LOCAL EXCHANGE SERVICE RATE GROUPS

IV. MONTHLY RATES - RATE GROUP I (1 - 1,300) (Cont'd)

JAN 16 2001

B. EAS ADDITIVES (Continued)

**MISSOURI
Public Service Commission**

<u>RESIDENCE</u> <u>EXCHANGES</u>	<u>One-Party</u>	<u>Four-Party</u>	<u>Rural Four-Party</u>	<u>Trunks</u>
Brazito	\$ 3.65	N/A	N/A	\$ 3.65
Centertown	3.65	N/A	N/A	3.65
Centerview	3.50	N/A	N/A	3.50
Coal	2.15	N/A	N/A	2.15
Eugene	3.65	N/A	N/A	3.65
Ionia	3.20	3.20	3.20	3.20
Kingsville	1.35	N/A	N/A	1.35
New Bloomfield	3.65	N/A	N/A	3.65
Norborne	.35	N/A	N/A	.35
Pickering	3.65	3.65	3.65	3.65
St. Thomas	3.65	N/A	N/A	3.65
Taos	3.65	N/A	N/A	3.65

(DR)

For description of the EAS additive for each Exchange, see VIII. "Extended Area Service" in this section.

CANCELLED

MAR 07 2001
By 5th RP
Public Service Commission
MISSOURI

FILED

FEB 15 2001

**MISSOURI
Public Service Commission**

ISSUED:
January 16, 2001

BY: Richard D. Lawson
State Executive, External Affairs
319 Madison
Jefferson City, MO 65101

EFFECTIVE:
February 15, 2001

GENERAL EXCHANGE TARIFF

SPRINT MISSOURI, INC.
d/b/a SPRINT

Third Revised Page 9
Cancels Second Revised Page 9

LOCAL EXCHANGE SERVICE RATE GROUPS

**Missouri Public
Service Commission**

IV. MONTHLY RATES - RATE GROUP I (1 - 1,300) (Cont'd)

REC'D JAN 31 2000

B. EAS ADDITIVES (Continued)

<u>RESIDENCE</u> <u>EXCHANGES</u>	One- <u>Party</u>	Four- <u>Party</u>	Rural Four- <u>Party</u>	<u>Trunks</u>	
Brazito	\$ 3.65	N/A	N/A	\$ 3.65	
Centertown	3.65	N/A	N/A	3.65	(DR)
Centerview	3.50	N/A	N/A	3.50	
Coal	2.15	N/A	N/A	2.15	
Eugene	3.65	N/A	N/A	3.65	
Ionia	3.20	3.20	3.20	3.20	
Kingsville	1.35	N/A	N/A	1.35	(DR)
New Bloomfield	3.65	N/A	N/A	3.65	
Norborne	.35	N/A	N/A	.35	
Pickering	3.65	3.65	3.65	3.65	
St. Thomas	3.65	N/A	N/A	3.65	
Taos	3.65	N/A	N/A	3.65	
Urich	.15	.15	.15	.15	

For description of the EAS additive for each Exchange, see VIII. "Extended Area Service" in this section.

CANCELLED

FEB 15 2001

44 RP 9

**Public Service Commission
MISSOURI**

**Missouri Public
Service Commission**

FILED MAR 01 2000

ISSUED:
January 31, 2000

BY: Richard D. Lawson
State Executive, External Affairs
319 Madison
Jefferson City, MO 65101

EFFECTIVE:
March 1, 2000

GENERAL EXCHANGE TARIFF

SPRINT MISSOURI, INC.
d/b/a SPRINT

Second Revised Page 9
Cancels First Revised Page 9

LOCAL EXCHANGE SERVICE RATE GROUPS

Missouri Public
Service Commission

IV. MONTHLY RATES - RATE GROUP I (1 - 1,300) (Cont'd)

REC'D JAN 22 1999

B. EAS ADDITIVES (Continued)

<u>RESIDENCE</u>			Rural		
<u>EXCHANGES</u>	One- Party	Four- Party	Four- Party	Trunks	
Brazito	\$ 3.65	N/A	N/A	\$ 3.65	(DR)
Centertown	3.65	3.65	3.65	3.65	
Centerview	3.50	N/A	N/A	3.50	(DR)
Coal	2.15	N/A	N/A	2.15	
Eugene	3.65	N/A	N/A	3.65	(DR)
Ionia	3.20	3.20	3.20	3.20	
Kingsville	1.35	1.35	1.35	1.35	
New Bloomfield	3.65	N/A	N/A	3.65	(DR)
Norborne	.35	N/A	N/A	.35	(DR)
Pickering	3.65	3.65	3.65	3.65	
St. Thomas	3.65	N/A	N/A	3.65	(DR)
Taos	3.65	N/A	N/A	3.65	(DR)
Urich	.15	.15	.15	.15	(CT)

For description of the EAS additive for each Exchange, see VIII. "Extended Area Service" in this section.

(RT)
(RT)

CANCELLED

MAR 01 2000

By *3rd RPP*
Public Service Commission
MISSOURI

Missouri Public
Service Commission

FILED FEB 22 1999

ISSUED:
January 22, 1999

BY: Richard D. Lawson
State Executive, External Affairs
319 Madison
Jefferson City, MO 65101

EFFECTIVE:
February 22, 1999

GENERAL EXCHANGE TARIFF

UNITED TELEPHONE COMPANY
OF MISSOURI D/B/A SPRINT

First Revised Page 9
Cancels Original Page 9
RECEIVED

LOCAL EXCHANGE SERVICE RATE GROUPS

NOV 1 1996

IV. MONTHLY RATES - RATE GROUP I (1 - 1,300) (Cont'd)

**MISSOURI
Public Service Commission**

B. EAS ADDITIVES (Continued)

<u>RESIDENCE</u> <u>EXCHANGES</u>	<u>One-Party</u>	<u>Four-Party</u>	<u>Rural Four-Party</u>	<u>Trunks</u>
Brazito	\$ 3.65	\$ 3.65	\$ 3.65	\$ 3.65
Centertown	3.65	3.65	3.65	3.65
Centerview	3.50	3.50	3.50	3.50
Coal	2.15	2.15	2.15	2.15
Eugene	3.65	3.65	3.65	3.65
Ionia	3.20	3.20	3.20	3.20
Kingsville	1.35	1.35	1.35	1.35
New Bloomfield	3.65	3.65	3.65	3.65
Norborne	.35	.35	.35	.35
Pickering	3.65	3.65	3.65	3.65
St. Thomas	3.65	3.65	3.65	3.65
Taos	3.65	3.65	3.65	3.65
Urich*	.15	.15	.15	.15

(MT)

For description of the EAS additive for each Exchange, see VIII. "Extended Area Service" in this section.

*For description of the optional EAS additive for this exchange, see IV.A "Community Optional Service" Section 47 in this tariff.

CANCELLED

FEB 22 1999
By *2nd RS#9*
Public Service Commission
MISSOURI

FILED

DEC 2 1996

MO.PUBLICSERVICECOMM

ISSUED:
November 1, 1996

BY: John L. Roe
Vice President - Carrier and Regulatory Services
5454 West 110th Street
Overland Park, Kansas 66211

EFFECTIVE:
December 2, 1996

GENERAL EXCHANGE TARIFF

UNITED TELEPHONE COMPANY
OF MISSOURI

Original Page 9

LOCAL EXCHANGE SERVICE RATE GROUPS

RECEIVED

SEP 17 1992

IV. MONTHLY RATES - RATE GROUP I (1 - 1,300) (Cont'd)

B.EAS ADDITIVES (Continued)

MISSOURI
Public Service Commission

<u>RESIDENCE</u> <u>EXCHANGES</u>	<u>One-Party</u>	<u>Four-Party</u>	<u>Rural Four-Party</u>	<u>Trunk</u>
Brazito	\$ 3.65	\$ 3.65	\$ 3.65	\$ 3.65
Centertown	3.65	3.65	3.65	3.65
Centerview	3.50	3.50	3.50	3.50
Coal	2.15	2.15	2.15	2.15
Eugene	3.65	3.65	3.65	3.65
Ionia	3.20	3.20	3.20	3.20
Kingsville	1.35	1.35	1.35	1.35
New Bloomfield	3.65	3.65	3.65	3.65
Norborne	.35	.35	.35	.35
Pickering	3.65	3.65	3.65	3.65
Russelville	3.65	3.65	3.65	3.65
St. Thomas	3.65	3.65	3.65	3.65
Taos	3.65	3.65	3.65	3.65
Urich*	.15	.15	.15	.15

For description of the EAS additive for each Exchange, see VIII. "Extended Area Service" in this section.

*For description of the optional EAS additive for this exchange, see IV.A "Community Optional Service" Section 47 in this tariff.

CANCELLED

DEC 2 1992
By *Let R.S. #9*
Public Service Commission
MISSOURI

FILED

NOV 7 1992

MO. PUBLIC SERVICE COMM.

ISSUED:
September 17, 1992

BY: John L. Roe
Vice President - Administration
5454 West 110th Street
Overland Park, Kansas 66211

EFFECTIVE:
~~October 17, 1992~~
NOV 7 1992

GENERAL EXCHANGE TARIFF

Embarq Missouri, Inc.
d/b/a CenturyLink

Twenty-Third Revised Page 10
Cancels Twenty-Second Revised Page 10

LOCAL EXCHANGE SERVICE

IV. LOCAL MEASURED SERVICE (LMS) (Cont'd)

B. RATES AND CHARGES (Cont'd)

1. Business and Residence Rates (Cont'd)

<u>EXCHANGE</u>	<u>RESIDENCE</u>	<u>BUSINESS</u>		
	<u>Individual Line</u>	<u>Individual Line</u>	<u>Trunk</u>	
Taos	\$19.00	\$20.00	\$24.00	(1) (1)
Tarkio	17.70	20.00	24.00	
Tipton	17.70	20.00	24.00	
Urich	17.39	20.00	24.00	
Warrensburg	18.26	20.00	24.00	
Warsaw	18.16	20.00	24.00	
Waverly	17.39	20.00	24.00	
Waynesville	19.00	20.00	24.00	
Wellington	17.39	20.00	24.00	
Weston	19.00	20.00	24.00	
Windsor	17.70	20.00	24.00	

ISSUED:
July 31, 2014

BY: Darlene N. Terry
Manager - Tariffs
5454 West 110th Street
Overland Park, KS 66211

EFFECTIVE:
September 1, 2014

MO 14-08

GENERAL EXCHANGE TARIFF

Embarq Missouri, Inc.
d/b/a CenturyLink

Twenty-Second Revised Page 10
Cancels Twenty-First Revised Page 10 (C)

LOCAL EXCHANGE SERVICE

IV. LOCAL MEASURED SERVICE (LMS) (Cont'd)

B. RATES AND CHARGES (Cont'd)

1. Business and Residence Rates (Cont'd)

<u>EXCHANGE</u>	<u>RESIDENCE</u>	<u>BUSINESS</u>	
	<u>Individual Line</u>	<u>Individual Line</u>	<u>Trunk</u>
Taos	\$16.00	\$20.00 (1)	\$24.00 (1)
Tarkio	14.70 (1)	20.00	24.00
Tipton	14.70	20.00	24.00
Urich	14.39	20.00	24.00
Warrensburg	15.26	20.00	24.00
Warsaw	15.16	20.00	24.00
Waverly	14.39 (1)	20.00	24.00
Waynesville	16.00	20.00	24.00
Wellington	14.39 (1)	20.00	24.00
Weston	16.00 (1)	20.00	24.00
Windsor	14.70 (1)	20.00 (1)	24.00 (1)

ISSUED:
December 1, 2011

CANCELLED
September 1, 2014
Missouri Public
Service Commission
JI-2015-0040

BY: Darlene N. Terry
Manager - Tariffs
5454 W. 110th Street
Overland Park, Kansas 66211

EFFECTIVE:
January 1, 2012

Filed
Missouri Public
Service Commission
JI-2012-0253

GENERAL EXCHANGE TARIFF

Embarq Missouri, Inc.
d/b/a Embarq

Twenty-First Revised Page 10 (C)
Cancels Twentieth Revised Page 10 (C)

LOCAL EXCHANGE SERVICE (C)

IV. LOCAL MEASURED SERVICE (LMS) (Cont'd) (N)

B. RATES AND CHARGES (Cont'd)

1. Business and Residence Rates (Cont'd)

<u>EXCHANGE</u>	<u>RESIDENCE</u>	<u>BUSINESS</u>	
	<u>Individual Line</u>	<u>Individual Line</u>	<u>Trunk</u>
Taos	\$16.00 (1)	\$18.00 (1)	\$22.00 (1)
Tarkio	12.70	18.00	22.00
Tipton	12.70	18.00	22.00
Urich	12.39	18.00	22.00
Warrensburg	13.26	18.00	22.00
Warsaw	13.16	18.00	22.00
Waverly	12.39 (1)	18.00	22.00
Waynesville	16.00	18.00	22.00
Wellington	12.39 (1)	18.00	22.00
Weston	15.64	18.00	22.00
Windsor	12.70 (1)	18.00 (1)	22.00 (1)

(N)

ISSUED:
January 20, 2009

BY: Darlene N. Terry
Manager - Tariffs
5454 W. 110th Street
Overland Park, Kansas 66211

EFFECTIVE:
February 1, 2009

CANCELLED
January 01, 2012
Missouri Public
Service Commission
JI-2012-0253

FILED
Missouri Public
Service Commission
JI-2009-0528

P.S.C. MO.-No. 22 Section 16
GENERAL EXCHANGE TARIFF

SPRINT MISSOURI, INC.
d/b/a SPRINT

Twentieth Revised Page 10
Cancels Nineteenth Revised Page 10

LOCAL EXCHANGE SERVICE RATE GROUPS

Reserved for Future Filing

(RT)

(RT)

ISSUED:
December 27, 2001

BY: Richard D. Lawson
State Executive, External Affairs
319 Madison
Jefferson City, MO 65101

EFFECTIVE:
January 26, 2002

CANCELLED
February 1, 2009
Missouri Public
Service Commission
JI-2009-0528

Filed
Missouri Public
Service Commission

GENERAL EXCHANGE TARIFF

SPRINT MISSOURI, INC.
d/b/a SPRINT

Nineteenth Revised Page 10
Cancels Eighteenth Revised Page 10

LOCAL EXCHANGE SERVICE RATE GROUPS Missouri Public

V. MONTHLY RATES - RATE GROUP II (1,301 - 4,000)

REC'D AUG 17 2001 (AT)

All monthly local exchange rates include Touch Tone Service.

A. Local Exchange Service Rates shown below apply to the following exchanges. Service Commission

Buckner	Butler	California	Cole Camp*
Holden*	Holt		Lake Lotawana*
Lexington	Lone Jack	Mound City	Newburg
Richland	Russellville*	Sweet Springs	Tarkio
Tipton	Weston	Windsor	

Business

One-Party	\$15.56
Trunk (Flat)	22.83

Residence

One-Party	9.17
Trunk	12.00

CANCELLED

JAN 26 2002
BY 2044 RP10
Public Service Commission
MISSOURI

* EAS additives for these exchanges are found on the sheet immediately following.

Missouri Public

FILED SEP 17 2001

Service Commission

ISSUED:
August 17, 2001

BY: Richard D. Lawson
State Executive, External Affairs
319 Madison
Jefferson City, MO 65101

EFFECTIVE:
September 17, 2001

GENERAL EXCHANGE TARIFF

SPRINT MISSOURI, INC.
d/b/a SPRINT

Eighteenth Revised Page 10
Cancels Seventeenth Revised Page 10

RECEIVED

JAN 31 2001

LOCAL EXCHANGE SERVICE RATE GROUPS

V. MONTHLY RATES - RATE GROUP II (1,301 - 4,000)

A. Local Exchange Service Rates shown below apply to the following exchanges.

**MISSOURI
Public Service Commission**

Buckner	Butler	California	Cole Camp*	(CR) (DR)
Holden*	Holt		Lake Lotawana*	(DR)(NR)
Lexington	Lone Jack	Mound City	Newburg	(DR)(NR)
Richland	Russellville*	Sweet Springs	Tarkio	(CR) (DR)
Tipton	Weston	Windsor		

Business

One-Party	\$15.56
Trunk (Flat)	22.83

CANCELLED

(DR)

Residence

One-Party	9.17
Trunk	12.00

SEP 17 2001
By *LAUR P#10*
**Public Service Commission
MISSOURI**

(DR)

* EAS additives for these exchanges are found on the sheet immediately following.

(DT)

FILED

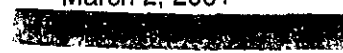
MAR 07 2001

**MISSOURI
Public Service Commission**

ISSUED:
January 31, 2001

BY: Richard D. Lawson
State Executive, External Affairs
319 Madison
Jefferson City, MO 65101

EFFECTIVE:
March 2, 2001



MAR 07 2001

P.S.C. MO.-No. 22 Section 16
 GENERAL EXCHANGE TARIFF

SPRINT MISSOURI, INC.
 d/b/a SPRINT

Seventeenth Revised Page 10
 Cancels Sixteenth Revised Page 10
 Missouri Public
 Service Commission

LOCAL EXCHANGE SERVICE RATE GROUPS

REC'D OCT 27 2000

V. MONTHLY RATES - RATE GROUP II (1,301 - 4,000)

A. Local Exchange Service Rates shown below apply to the following exchanges:

Buckner (1)	Butler (1)	California (1)	Cole Camp* (1)
Holden* (1)	Holt (1)		Lake Lotawana* (1)
Lexington (1)	Lone Jack (1)	Mound City (1)	Platte City* (1)
Pleasant Hill (1)	Richland (1)	Russellville* (1)	
Tipton	Waynesville*(1)	Weston (1)	Windsor (1)

(DT)
 |
 (DT)

Business

One-Party	\$15.56
Trunk (Flat)	22.83
Four-Party	11.91

(CR)(DR)
 | |
 (CR)(DR)

Residence

One-Party	9.17
Four-Party	7.27
Trunk	12.00

(CR)(DR)
 | |
 (CR)(DR)

* EAS additives for these exchanges are found on the sheet immediately following.

(1) Denotes an exchange that is exclusively *one-party*.

(DT)
 (DT)

CANCELLED

MAR 07 2001
 1/18th RP 10
 Public Service Commission
 MISSOURI

Missouri Public
 Service Commission

FILED DEC 11 2000

ISSUED:
 October 27, 2000

BY: Richard D. Lawson
 State Executive, External Affairs
 319 Madison
 Jefferson City, MO 65101

EFFECTIVE:
 December 11, 2000

GENERAL EXCHANGE TARIFF

SPRINT MISSOURI, INC.
d/b/a SPRINT

Sixteenth Revised Page 10
Cancels Fifteenth Revised Page 10

Missouri Public Service Commission

LOCAL EXCHANGE SERVICE RATE GROUPS

REC'D JAN 31 2000

V. MONTHLY RATES - RATE GROUP II (1,301 - 4,000)

A. Local Exchange Service Rates shown below apply to the following exchanges:

Buckner (1)	Butler (1)	California (1)	Cole Camp* (1)	(CT)
Holden* (1)	Holt (1)		Lake Lotawana* (1)	
Lexington (1)	Lone Jack (1)	Mound City (1)	Platte City* (1)	
Pleasant Hill (1)	Richland (1)	Russellville* (1)		(CT)
Tipton	Waynesville*(1)	Weston (1)	Windsor (1)	

	Inside Initial Rate Area	Outside Initial Rate Area - Within Zones			
		<u>1</u>	<u>2</u>	<u>3</u>	<u>4</u>
<u>Business</u>					
One-Party	\$11.95	\$14.30	\$16.60	\$18.95	\$21.25
Trunk (Flat)	20.75	23.10	25.40	27.75	30.05
Four-Party	8.30	13.45	13.45	13.45	21.25
<u>Residence</u>					
One-Party	5.97	8.32	10.62	12.97	15.27
Four-Party	4.07	6.62	6.62	6.62	6.62
Trunk	10.40	12.75	15.05	17.40	19.70

* EAS additives for these exchanges are found on the sheet immediately following.

(1) Denotes an exchange that is exclusively one-party. Only Zone 1 mileage charges of \$2.35 are applicable outside the initial rate area. (See Section 17 for complete schedule of rates.)

CANCELLED

DEC 11 2000

17th RP 10
Public Service Commission
MISSOURI

Missouri Public Service Commission

FILED MAR 01 2000

ISSUED:
January 31, 2000

BY: Richard D. Lawson
State Executive, External Affairs
319 Madison
Jefferson City, MO 65101

EFFECTIVE:
March 1, 2000

GENERAL EXCHANGE TARIFF

SPRINT MISSOURI, INC.
d/b/a SPRINT

Fifteenth Revised Page 10
Cancels Fourteenth Revised Page 10

Missouri Public
Service Commission

LOCAL EXCHANGE SERVICE RATE GROUPS

REC'D OCT 27 1999

V. MONTHLY RATES - RATE GROUP II (1,301 - 4,000)

A. Local Exchange Service Rates shown below apply to the following exchanges:

Buckner (1)	Butler (1)	California (1)	Cole Camp*
Holden* (1)	Holt (1)		Lake Lotawana* (1)
Lexington (1)	Lone Jack (1)	Mound City (1)	Platte City* (1)
Pleasant Hill	Richland (1)	Russellville* (1)	
Tipton	Waynesville*(1)	Weston (1)	Windsor (1)

	Inside Initial Rate Area	Outside Initial Rate Area - Within Zones				
		<u>1</u>	<u>2</u>	<u>3</u>	<u>4</u>	
<u>Business</u>						
One-Party	\$11.95	\$14.30	\$16.60	\$18.95	\$21.25	
Trunk (Flat)	20.75	23.10	25.40	27.75	30.05	(CR)
Four-Party	8.30	13.45	13.45	13.45	21.25	
<u>Residence</u>						
One-Party	5.97	8.32	10.62	12.97	15.27	
Four-Party	4.07	6.62	6.62	6.62	6.62	
Trunk	10.40	12.75	15.05	17.40	19.70	(CR)

* EAS additives for these exchanges are found on the sheet immediately following.

(1) Denotes an exchange that is exclusively one-party. Only Zone 1 mileage charges of \$2.35 are applicable outside the initial rate area. (See Section 17 for complete schedule of rates.)

CANCELLED

MAR 01 2000

By 16th RP 10
Public Service Commission
MISSOURI

Missouri Public
Service Commission

FILED NOV 26 1999

ISSUED:
October 27, 1999

BY: Richard D. Lawson
State Executive, External Affairs
319 Madison
Jefferson City, MO 65101

EFFECTIVE:
November 26, 1999

GENERAL EXCHANGE TARIFF

SPRINT MISSOURI, INC.
d/b/a SPRINT

Fourteenth Revised Page 10
Cancels Thirteenth Revised Page 10

Missouri Public
Service Commission

LOCAL EXCHANGE SERVICE RATE GROUPS

REC'D JAN 22 1999

V. MONTHLY RATES - RATE GROUP II (1,301 - 4,000)

A. Local Exchange Service Rates shown below apply to the following exchanges:

Buckner (1)	Butler (1)	California (1)	Cole Camp*	
Holden* (1)	Holt (1)		Lake Lotawana* (1)	
Lexington (1)	Lone Jack (1)	Mound City (1)	Platte City* (1)	(CT)
Pleasant Hill	Richland (1)	Russellville* (1)		
Tipton	Waynesville*(1)	Weston (1)	Windsor (1)	(CT)

	Inside Initial Rate Area	Outside Initial Rate Area - Within Zones			
		<u>1</u>	<u>2</u>	<u>3</u>	<u>4</u>
<u>Business</u>					
One-Party	\$ 11.95	\$ 14.30	\$16.60	\$18.95	\$21.25
Trunk (Flat)	19.25	21.60	23.90	26.25	28.55
Four-Party	8.30	13.45	13.45	13.45	21.25
<u>Residence</u>					
One-Party	5.97	8.32	10.62	12.97	15.27
Four-Party	4.07	6.62	6.62	6.62	6.62
Trunk	9.67	12.02	14.32	16.67	18.97

* EAS additives for these exchanges are found on the sheet immediately following.

(1) Denotes an exchange that is exclusively one-party. Only Zone 1 mileage charges of \$2.35 are applicable outside the initial rate area. (See Section 17 for complete schedule of rates.)

CANCELLED

NOV 26 1999
By *LSH RS#10*
Public Service Commission
MISSOURI

Missouri Public
Service Commission

FILED FEB 22 1999

ISSUED:
January 22, 1999

BY: Richard D. Lawson
State Executive, External Affairs
319 Madison
Jefferson City, MO 65101

EFFECTIVE:
February 22, 1999

GENERAL EXCHANGE TARIFF

SPRINT MISSOURI, INC.
d/b/a SPRINT

Thirteenth Revised Page 10
Cancels Twelfth Revised Page 10
RECEIVED

LOCAL EXCHANGE SERVICE RATE GROUPS

DEC 17 1997

V. MONTHLY RATES - RATE GROUP II (1,301 - 4,000)

MISSOURI
Public Service Commission

A. Local Exchange Service Rates shown below apply to the following exchanges:

Buckner (1)	Butler (1)	California (1)	Cole Camp*	
Holden* (1)	Holt (1)		Lake Lotawana* (1)	(CT)
Lexington (1)	Lone Jack	Mound City (1)	Platte City* (1)	
Pleasant Hill	Richland (1)	Russellville* (1)		(CT)
Tipton	Waynesville*(1)	Weston	Windsor (1)	(CT)

	Inside Initial Rate Area	Outside Initial Rate Area - Within Zones			
		<u>1</u>	<u>2</u>	<u>3</u>	<u>4</u>
<u>Business</u>					
One-Party	\$ 11.95	\$ 14.30	\$16.60	\$18.95	\$21.25
Trunk (Flat)	19.25	21.60	23.90	26.25	28.55
Four-Party	8.30	13.45	13.45	13.45	21.25
<u>Residence</u>					
One-Party	5.97	8.32	10.62	12.97	15.27
Four-Party	4.07	6.62	6.62	6.62	6.62
Trunk	9.67	12.02	14.32	16.67	18.97

* EAS additives for these exchanges are found on the sheet immediately following.

(1) Denotes an exchange that is exclusively one-party. Only Zone 1 mileage charges of \$2.35 are applicable outside the initial rate area. (See Section 17 for complete schedule of rates.)

CANCELLED

FEB 22 1999
By *KJH* #10
Public Service Commission
MISSOURI

FILED

JAN 16 1998

MO. PUBLIC SERVICE CC-999

ISSUED:
December 17, 1997

BY: John L. Roe
VP - Carrier and Regulatory Services
5454 West 110th Street
Overland Park, Kansas 66211

EFFECTIVE:
January 16, 1998

GENERAL EXCHANGE TARIFF

UNITED TELEPHONE COMPANY
OF MISSOURI d/b/a SPRINT

Twelfth Revised Page 10
Cancels Eleventh Revised Page 10

RECEIVED

LOCAL EXCHANGE SERVICE RATE GROUPS

OCT 10 1997

V. MONTHLY RATES - RATE GROUP II (1,301 - 4,000)

A. Local Exchange Service Rates shown below apply to the following exchanges:

MO. PUBLIC SERVICE COMM

- | | | | | |
|---------------|----------------|--------------------|------------------|------|
| Buckner (1) | Butler (1) | California (1) | Cole Camp* | (CT) |
| Holden* (1) | Kearney | Lake Lotawana* (1) | Lexington (1) | (CT) |
| Lone Jack | Mound City (1) | Russellville* (1) | Platte City* (1) | (CT) |
| Pleasant Hill | Richland (1) | Weston | St. Robert* | |
| Tipton | Waynesville* | | Windsor (1) | |

	Inside Initial Rate Area	Outside Initial Rate Area - Within Zones			
		<u>1</u>	<u>2</u>	<u>3</u>	<u>4</u>
<u>Business</u>					
One-Party	\$ 11.95	\$ 14.30	\$16.60	\$18.95	\$21.25
Trunk (Flat)	19.25	21.60	23.90	26.25	28.55
Four-Party	8.30	13.45	13.45	13.45	21.25
<u>Residence</u>					
One-Party	5.97	8.32	10.62	12.97	15.27
Four-Party	4.07	6.62	6.62	6.62	6.62
Trunk	9.67	12.02	14.32	16.67	18.97

* EAS additives for these exchanges are found on the sheet immediately following.

- (1) Denotes an exchange that is exclusively one-party. Only Zone 1 mileage charges of \$2.35 are applicable outside the initial rate area. (See Section 17 for complete schedule of rates.)

CANCELLED

FILED

JAN 16 1998

By B. H. RS #10
Public Service Commission
MISSOURI

NOV 10 1997

MISSOURI
Public Service Commission

ISSUED:
October 10, 1997

BY: John L. Roe
VP - Carrier and Regulatory Services
5454 West 110th Street
Overland Park, Kansas 66211

EFFECTIVE:
November 10, 1997

GENERAL EXCHANGE TARIFF

UNITED TELEPHONE COMPANY
OF MISSOURI d/b/a SPRINT

Eleventh Revised Page 10
Cancels Tenth Revised Page 10

RECEIVED

LOCAL EXCHANGE SERVICE RATE GROUPS

JAN 15 1997

V. MONTHLY RATES - RATE GROUP II (1,301 - 4,000)

MISSOURI
Public Service Commission

A. Local Exchange Service Rates shown below apply to the following exchanges:

Buckner (1)	Butler (1)	California	Cole Camp*
Holden*(1)	Kearney	Lake Lotawana*(1)	Lexington
Lone Jack	Mound City (1)	Russellville*(1)	Platte City*
Pleasant Hill	Richland (1)	Weston	St. Robert*
Tipton	Waynesville*		Windsor (1)

	<u>Inside Initial Rate Area</u>	<u>Outside Initial Rate Area - Within Zones</u>			
		<u>1</u>	<u>2</u>	<u>3</u>	<u>4</u>
<u>Business</u>					
One-Party	\$ 11.95	\$ 14.30	\$16.60	\$18.95	\$21.25
Trunk (Flat)	19.25	21.60	23.90	26.25	28.55
Four-Party	8.30	13.45	13.45	13.45	21.25
<u>Residence</u>					
One-Party	5.97	8.32	10.62	12.97	15.27
Four-Party	4.07	6.62	6.62	6.62	6.62
Trunk	9.67	12.02	14.32	16.67	18.97

(DR)(RT)

* EAS additives for these exchanges are found on the sheet immediately following.

(1) Denotes an exchange that is exclusively one-party. Only Zone 1 mileage charges of \$2.35 are applicable outside the initial rate area. (See Section 17 for complete schedule of rates.)

CANCELLED

NOV 10 1997
By 12 R.S. # 10
Public Service Commission
MISSOURI

FILED

APR 15 1997

MO.PUBLICSERVICECOMM

ISSUED:
January 15, 1997

BY: John L. Roe
Vice President - Carrier & Regulatory Services
5454 West 110th Street
Overland Park, Kansas 66211

EFFECTIVE:

~~APR 15 1997~~
APR 15 1997

GENERAL EXCHANGE TARIFF

UNITED TELEPHONE COMPANY
OF MISSOURI D/B/A SPRINT

Tenth Revised Page 10
Cancels Ninth Page

RECEIVED

LOCAL EXCHANGE SERVICE RATE GROUPS

DEC 10 1996

V. MONTHLY RATES - RATE GROUP II (1,301 - 4,000)

**MISSOURI
Public Service Commission**

A. Local Exchange Service Rates shown below apply to the following exchanges:

Buckner (1)	Butler (1)	California	Cole Camp*	
Holden*(1)	Kearney	Lake Lotawana*(1)	Lexington	
Lone Jack	Mound City (1)	Russellville*(1)	Platte City*	(M)
Pleasant Hill	Richland (1)	Weston	St. Robert*	
Tipton	Waynesville*		Windsor (1)	(C)

	<u>Inside Initial Rate Area</u>	<u>Outside Initial Rate Area - Within Zones</u>			
		<u>1</u>	<u>2</u>	<u>3</u>	<u>4</u>
<u>Business</u>					
One-Party	\$ 11.95	\$ 14.30	\$16.60	\$18.95	\$21.25
Trunk (Flat)	19.25	21.60	23.90	26.25	28.55
Four-Party	8.30	13.45	13.45	13.45	21.25
Semi-Public Coin	11.95	14.30	16.60	18.95	20.15
<u>Residence</u>					
One-Party	5.97	8.32	10.62	12.97	15.27
Four-Party	4.07	6.62	6.62	6.62	6.62
Trunk	9.67	12.02	14.32	16.67	18.97

* EAS additives for these exchanges are found on the sheet immediately following.

- (1) Denotes an exchange that is exclusively one-party. Only Zone 1 mileage charges of \$2.35 are applicable outside the initial rate area. (See Section 17 for complete schedule of rates.)

CANCELLED

APR 15 1997
BY 1176 R.S. #
Public Service Commission
MISSOURI

FILED

JAN 13 1997

MO.PUBLICSERVICECOMM

ISSUED:
December 10, 1996

BY: John L. Roe
Vice President - Carrier and Regulatory Services
5454 West 110th Street
Overland Park, Kansas 66211

EFFECTIVE:
January 13, 1997

GENERAL EXCHANGE TARIFF

UNITED TELEPHONE COMPANY
OF MISSOURI D/B/A SPRINT

Ninth Revised Page 10
Cancels Eighth Revised Page 10

RECEIVED

LOCAL EXCHANGE SERVICE RATE GROUPS

NOV 12 1996

V. MONTHLY RATES - RATE GROUP II (1,301 - 4,000)

**MISSOURI
Public Service Commission**

A. Local Exchange Service Rates shown below apply to the following exchanges:

Buckner (1)	Butler (1)	California	Cole Camp*	
Holden*(1)	Kearney	Lake Lotawana*(1)	Lexington	(CT)
Lone Jack	Mound City (1)	Odessa (1)	Platte City*	
Pleasant Hill	Richland (1)	Russellville*(1)	St. Robert*	
Tipton	Waynesville*	Weston	Windsor	

	<u>Inside Initial Rate Area</u>	<u>Outside Initial Rate Area - Within Zones</u>			
		<u>1</u>	<u>2</u>	<u>3</u>	<u>4</u>
<u>Business</u>					
One-Party	\$ 11.95	\$ 14.30	\$16.60	\$18.95	\$21.25
Trunk (Flat)	19.25	21.60	23.90	26.25	28.55
Four-Party	8.30	13.45	13.45	13.45	21.25
Semi-Public Coin	11.95	14.30	16.60	18.95	20.15
<u>Residence</u>					
One-Party	5.97	8.32	10.62	12.97	15.27
Four-Party	4.07	6.62	6.62	6.62	6.62
Trunk	9.67	12.02	14.32	16.67	18.97

* EAS additives for these exchanges are found on the sheet immediately following.

(1) Denotes an exchange that is exclusively one-party. Only Zone 1 mileage charges of \$2.35 are applicable outside the initial rate area. (See Section 17 for complete schedule of rates.)

CANCELLED

JAN 13 1997
BY 10 TR R, S / 10
Public Service Commission
MISSOURI

FILED

DEC 12 1996

MO.PUBLICSERVICECOMM

ISSUED:
November 12, 1996

BY: John L. Roe
Vice President - Carrier and Regulatory Services
5454 West 110th Street
Overland Park, Kansas 66211

EFFECTIVE:
December 12, 1996

GENERAL EXCHANGE TARIFF

UNITED TELEPHONE COMPANY
OF MISSOURI D/B/A SPRINT

Eighth Revised Page 10
Cancels Seventh Revised Page 10

RECEIVED

LOCAL EXCHANGE SERVICE RATE GROUPS

NOV 1 1996

V. MONTHLY RATES - RATE GROUP II (1,301 - 4,000)

**MISSOURI
Public Service Commission**

A. Local Exchange Service Rates shown below apply to the following exchanges:

Buckner (1)	Butler (1)	California	Cole Camp*	
Holden*	Kearney	Lake Lotawana*(1)	Lexington	
Lone Jack	Mound City (1)	Odessa (1)	Platte City*	(CT)
Pleasant Hill	Richland (1)	Russellville*(1)	St. Robert*	(AT)
Tipton	Waynesville*	Weston	Windsor	(AT)

	<u>Inside Initial Rate Area</u>	<u>Outside Initial Rate Area - Within Zones</u>			
		<u>1</u>	<u>2</u>	<u>3</u>	<u>4</u>
<u>Business</u>					
One-Party	\$ 11.95	\$ 14.30	\$16.60	\$18.95	\$21.25
Trunk (Flat)	19.25	21.60	23.90	26.25	28.55
Four-Party	8.30	13.45	13.45	13.45	21.25
Semi-Public Coin	11.95	14.30	16.60	18.95	20.15
<u>Residence</u>					
One-Party	5.97	8.32	10.62	12.97	15.27
Four-Party	4.07	6.62	6.62	6.62	6.62
Trunk	9.67	12.02	14.32	16.67	18.97

* EAS additives for these exchanges are found on the sheet immediately following.

(1) Denotes an exchange that is exclusively one-party. Only Zone 1 mileage charges of \$2.35 are applicable outside the initial rate area. (See Section 17 for complete schedule of charges.)

CANCELLED

DEC 13 1996
BY 9th R.S. #10
Public Service Commission
MISSOURI

FILED

DEC 2 1996

MO. PUBLIC SERVICE COMM

ISSUED:
November 1, 1996

BY: John L. Roe
Vice President - Carrier and Regulatory Services
5454 West 110th Street
Overland Park, Kansas 66211

December 2, 1996

GENERAL EXCHANGE TARIFF

UNITED TELEPHONE COMPANY
OF MISSOURI

Seventh Revised Page 10
Cancels Sixth Revised Page 10

LOCAL EXCHANGE SERVICE RATE GROUPS

RECEIVED

DEC 8 - 1995

V. MONTHLY RATES - RATE GROUP II (1,301 - 4,000)

MISSOURI

A. Local Exchange Service Rates shown below apply to the following public Service Commission exchanges:

Buckner (1)	Butler (1)	California	Cole Camp* (AT)
Holden*	Kearney	Lake Lotawana*(1)	Lexington
Lone Jack	Mound City	Odessa (1)	Platte City*
Pleasant Hill	Richland (1)	St. Robert*	Waynesville*
Weston	Windsor		

	<u>Inside Initial Rate Area</u>	<u>Outside Initial Rate Area - Within Zones</u>			
		<u>1</u>	<u>2</u>	<u>3</u>	<u>4</u>
<u>Business</u>					
One-Party	\$ 11.95	\$ 14.30	\$16.60	\$18.95	\$21.25
Trunk (Flat)	19.25	21.60	23.90	26.25	28.55
Four-Party	8.30	13.45	13.45	13.45	21.25
Semi-Public Coin	11.95	14.30	16.60	18.95	20.15
<u>Residence</u>					
One-Party	5.97	8.32	10.62	12.97	15.27
Four-Party	4.07	6.62	6.62	6.62	6.62
Trunk	9.67	12.02	14.32	16.67	18.97

* EAS additives for these exchanges are found on the sheet immediately following.

(1) Denotes an exchange that is exclusively one-party. Only Zone 1 mileage charges of \$2.35 are applicable outside the initial rate area. (See Section 17 for complete schedule of rates.)

CANCELLED
DEC 2 1995
BY 8th R.S. #10
Public Service Commission
MISSOURI

FILED

JAN 8 1996

MO. PUBLIC SERVICE COMM.

ISSUED:

December 8, 1995

BY: John L. Roe

Vice President - Carrier and Regulatory Services

5454 West 110th Street

Overland Park, Kansas 66211

EFFECTIVE:

January 8, 1996

UNITED TELEPHONE COMPANY
OF MISSOURI

GENERAL EXCHANGE TARIFF

Sixth Revised Page 10
Cancels Fifth Revised Page 10

LOCAL EXCHANGE SERVICE RATE GROUPS

RECEIVED

V. MONTHLY RATES - RATE GROUP II (1,301 - 4,000)

NOV 8 1994

A. Local Exchange Service Rates shown below apply to the following exchanges: MO. PUBLIC SERVICE COM. 1.

Buckner (1)	Butler	California	Cole Camp*	(AT)
Holden*	Kearney	Lake Lotawana*(1)	Lexington	
Lone Jack	Mound City	Odessa (1)	Platte City*	
Pleasant Hill	Richland(1)	St. Robert*	Waynesville*	
Weston	Windsor			

	Inside Initial Rate Area	Outside Initial Rate Area - Within Zones			
		<u>1</u>	<u>2</u>	<u>3</u>	<u>4</u>
<u>Business</u>					
One-Party	\$ 11.95	\$ 14.30	\$16.60	\$18.95	\$21.25
Trunk	19.25	21.60	23.90	26.25	28.55
Four-Party	8.30	13.45	13.45	13.45	21.25
Semi-Public Coin	11.95	14.30	16.60	18.95	20.15
<u>Residence</u>					
One-Party	5.97	8.32	10.62	12.97	15.27
Four-Party	4.07	6.62	6.62	6.62	6.62
Trunk	9.67	12.02	14.32	16.67	18.97

* EAS additives for these exchanges are found on the sheet immediately following.

(1) Denotes an exchange that is exclusively one-party. Only Zone 1 mileage charges of \$2.35 are applicable outside the initial rate area. (See Section 17 for complete schedule of rates.)

CANCELLED

JAN 8 1996
BY 7th P.S. #10
Public Service Commission
MISSOURI

FILED

DEC 8 1994

MISSOURI
Public Service Commission

ISSUED:
November 8, 1994

BY: John L. Roe
Vice President - Administration
5454 West 110th Street
Overland Park, Kansas 66211

EFFECTIVE:
December 8, 1994

GENERAL EXCHANGE TARIFF

UNITED TELEPHONE COMPANY
OF MISSOURI

Fifth Revised Page 10
Cancels Fourth Revised Page 10

LOCAL EXCHANGE SERVICE RATE GROUPS

RECEIVED

V.MONTHLY RATES - RATE GROUP II (1,301 - 4,000)

OCT 13 1994

A. Local Exchange Service Rates shown below apply to the following exchanges:

MO. PUBLIC SERVICE COMM.

Buckner	Butler	California	Cole Camp*
Holden*	Kearney	Lake Lotawana*(1)	Lexington
Lone Jack	Mound City	Odessa (1)	Platte City*
Pleasant Hill	Richland(1)	St. Robert*	Waynesville*
Weston	Windsor		

(AT)

	<u>Inside Initial Rate Area</u>	<u>Outside Initial Rate Area - Within Zones</u>			
		<u>1</u>	<u>2</u>	<u>3</u>	<u>4</u>
<u>Business</u>					
One-Party	\$ 11.95	\$ 14.30	\$16.60	\$18.95	\$21.25
Trunk	19.25	21.60	23.90	26.25	28.55
Four-Party	8.30	13.45	13.45	13.45	21.25
Semi-Public Coin	11.95	14.30	16.60	18.95	20.15
<u>Residence</u>					
One-Party	5.97	8.32	10.62	12.97	15.27
Four-Party	4.07	6.62	6.62	6.62	6.62
Trunk	9.67	12.02	14.32	16.67	18.97

* EAS additives for these exchanges are found on the sheet immediately following.

(1) Denotes an exchange that is exclusively one-party. Only Zone 1 mileage charges of \$2.35 are applicable outside the initial rate area. (See Section 17 for complete schedule of rates.)

CANCELLED

DEC 8 1994
BY *67 R.S. #10*
Public Service Commission
MISSOURI

FILED

NOV 13 1994

**MISSOURI
Public Service Commission**

ISSUED:
October 13, 1994

BY: John L. Roe
Vice President - Administration
5454 West 110th Street
Overland Park, Kansas 66211

EFFECTIVE:
November 13, 1994

GENERAL EXCHANGE TARIFF

UNITED TELEPHONE COMPANY
OF MISSOURI

Fourth Revised Page 10
Cancels Third Revised Page 10

LOCAL EXCHANGE SERVICE RATE GROUPS

RECEIVED

V. MONTHLY RATES - RATE GROUP II (1,301 - 4,000)

OCT 3 1994

A. Local Exchange Service Rates shown below apply to the following exchanges:
MO. PUBLIC SERVICE COMMISSION

Buckner	Butler	California	Cole Camp*	
Holden*	Kearney	Lake Lotawana*(1)	Lexington	
Lone Jack	Mound City	Odessa	Platte City*	
Pleasant Hill	Richland (1)	St. Robert*	Waynesville*	(AT)
Weston	Windsor			

	Inside Initial Rate Area	Outside Initial Rate Area - Within Zones			
		1	2	3	4
<u>Business</u>					
One-Party	\$ 11.95	\$ 14.30	\$16.60	\$18.95	\$21.25
Trunk	19.25	21.60	23.90	26.25	28.55
Four-Party	8.30	13.45	13.45	13.45	21.25
Semi-Public Coin	11.95	14.30	16.60	18.95	20.15
<u>Residence</u>					
One-Party	5.97	8.32	10.62	12.97	15.27
Four-Party	4.07	6.62	6.62	6.62	6.62
Trunk	9.67	12.02	14.32	16.67	18.97

* EAS additives for these exchanges are found on the sheet immediately following.

(1) Denotes an exchange that is exclusively one-party. Only Zone 1 mileage charges of \$2.35 are applicable outside the initial rate area. (See Section 17 for complete schedule of rates.)

CANCELLED

NOV 13 1994
BY 5th R.S. #10
Public Service Commission
MISSOURI

FILED

NOV 3 1994

MISSOURI
Public Service Commission

ISSUED:
October 3, 1994

BY: John L. Roe
Vice President - Administration
- 5454 West 110th Street
Overland Park, Kansas 66211

EFFECTIVE:
November 3, 1994

GENERAL EXCHANGE TARIFF

UNITED TELEPHONE COMPANY
OF MISSOURI

Third Revised Page 10
Cancels Second Revised Page 10

RECEIVED

LOCAL EXCHANGE SERVICE RATE GROUPS

AUG 3 1994

V. MONTHLY RATES - RATE GROUP II (1,301 - 4,000)

A. Local Exchange Service Rates shown below apply to the following exchanges: **MO. PUBLIC SERVICE COMM.**

Buckner	Butler	California	Cole Camp*	(AT)
Holden*	Kearney	Lake Lotawana* (1)	Lexington	
Lone Jack	Mound City	Odessa	Platte City*	
Pleasant Hill	Richland	St. Robert*	Waynesville*	
Weston	Windsor			

	<u>Inside Initial Rate Area</u>	<u>Outside Initial Rate Area - Within Zones</u>			
		<u>1</u>	<u>2</u>	<u>3</u>	<u>4</u>
<u>Business</u>					
One-Party	\$ 11.95	\$ 14.30	\$16.60	\$18.95	\$21.25
Trunk	19.25	21.60	23.90	26.25	28.55
Four-Party	8.30	13.45	13.45	13.45	21.25
Semi-Public Coin	11.95	14.30	16.60	18.95	20.15
<u>Residence</u>					
One-Party	5.97	8.32	10.62	12.97	15.27
Four-Party	4.07	6.92	6.62	6.62	6.62
Trunk	9.67	12.02	14.32	16.67	18.97

* EAS additives for these exchanges are found on the sheet immediately following.

(1) Denotes an exchange that is exclusively one-party. Only Zone 1 mileage charges of \$2.35 are applicable outside the initial rate area. (See Section 17 for complete schedule of rates.)

(AT)
(AT)

CANCELLED

NOV 3 1994
BY H. R. S. # 10
Public Service Commission
MISSOURI

FILED

SEP - 3 1994

MISSOURI
Public Service Commission

ISSUED:
August 3, 1994

BY: John L. Roe
Vice President - Administration
5454 West 110th Street
Overland Park, Kansas 66211

EFFECTIVE:
September 3, 1994

UNITED TELEPHONE COMPANY
OF MISSOURI

GENERAL EXCHANGE TARIFF

Second Revised Page 10
Cancels First Revised Page 10

LOCAL EXCHANGE SERVICE RATE GROUPS

RECEIVED

V. MONTHLY RATES - RATE GROUP II (1,301 - 4,000)

FEB 03 1994

A. Local Exchange Service Rates shown below apply to the following exchanges: **MISSOURI Public Service Commission**

Buckner	Butler	California	Cole Camp*	
Holden*	Kearney	Lake Lotawana*	Lexington	(MT)
Lone Jack	Mound City	Odessa	Platte City*	
Pleasant Hill	Richland	St. Robert*	Waynesville*	(MT)
Weston	Windsor			

	<u>Inside Initial Rate Area</u>	<u>Outside Initial Rate Area Within Zones</u>			
		<u>1</u>	<u>2</u>	<u>3</u>	<u>4</u>
<u>Business</u>					

	<u>Inside Initial Rate Area</u>	<u>Outside Initial Rate Area - Within Zones</u>			
		<u>1</u>	<u>2</u>	<u>3</u>	<u>4</u>
<u>Business</u>					
One-Party	\$ 11.95	\$ 14.30	\$16.60	\$18.95	\$21.25
Trunk	19.25	21.60	23.90	26.25	28.55
Four-Party	8.30	13.45	13.45	13.45	21.25
Semi-Public Coin	11.95	14.30	16.60	18.95	20.15

<u>Residence</u>					
One-Party	5.97	8.32	10.62	12.97	15.27
Four-Party	4.07	6.92	6.62	6.62	6.62
Trunk	9.67	12.02	14.32	16.67	18.97

* EAS additives for these exchanges are found on the sheet immediately following.

CANCELLED

SEP 3 1994
BY 3rd R.S. #10
Public Service Commission
MISSOURI

FILED

FEB 21 1994
94 - 237
MISSOURI
Public Service Commission
EFFECTIVE:
~~March 8, 1994~~
FEB 21 1994

ISSUED:
February 3, 1994

BY: John L. Roe
Vice President - Administration
5454 West 110th Street
Overland Park, Kansas 66211

RECEIVED

UNITED TELEPHONE COMPANY
OF MISSOURI

GENERAL EXCHANGE TARIFF

First Revised Page 10
Cancels Original Page 1900

LOCAL EXCHANGE SERVICE RATE GROUPS

MO. PUBLIC SERVICE COMM.

V. MONTHLY RATES - RATE GROUP II (1,301 - 4,000)

A. Local Exchange Service Rates shown below apply to the following exchanges:

	Butler Ft. Leonard Wood*(1) Lexington Odessa St. Robert*	California Holden* Lone Jack Platte City* Waynesville*	Cole Camp* Kearney Mound City Pleasant Hill Windsor				(CT)
			MO. PUBLIC SERVICE COMM.				
	Inside Initial Rate Area	Outside Initial Rate Area - Within Zones					
		<u>1</u>	<u>2</u>	<u>3</u>	<u>4</u>		
<u>Business</u>							
One-Party	\$ 11.95	\$14.30	\$16.60	\$18.95	\$21.25	(CR)	
Trunk	19.25	21.60	23.90	26.25	28.55		
Four-Party	8.30	13.45	13.45	13.45	13.45	(CT)	
Semi-Public Coin	11.95	14.30	16.60	18.95	21.25		
<u>Residence</u>							
One-Party	\$5.97	\$ 8.32	\$ 10.62	\$12.97	\$15.27	(CR)	
Four-Party	4.07	6.62	6.62	6.62	6.62		
Trunk	9.67	12.02	14.32	16.67	18.97	(CR)	

* EAS additives for these exchanges are found on the sheet immediately following.

(1) Denotes an exchange that is exclusively one-party. Only Zone 1 mileage charges of \$2.35 are applicable outside the initial rate area. (See Section 17 for complete schedule of rates.)

CANCELLED

FILED

FEB 21 1994
BY 2nd R.S. #10
Public Service Commission
MISSOURI

NOV 7 1993
93-181
MO. PUBLIC SERVICE COMM.

ISSUED:
November 3, 1993

BY: John L. Roe
Vice President - Administration
5454 West 110th Street
Overland Park, Kansas 66211

EFFECTIVE:
November 7, 1993

GENERAL EXCHANGE TARIFF

UNITED TELEPHONE COMPANY
OF MISSOURI

Original Page 10

LOCAL EXCHANGE SERVICE RATE GROUPS

RECEIVED

SEP 17 1992

V. MONTHLY RATES - RATE GROUP II (1,301 - 4,000)

A. Local Exchange Service Rates shown below apply to the following exchanges:

Buckner	Butler	California	Cole Camp*
Ferrelview*	Ft. Leonard Wood*	Holden*	Kearney
Lake Lotawana*	Lexington	Lone Jack	Mound City
Oak Grove	Odessa	Platte City*	Pleasant Hill
Richland	St. Robert*	Waynesville*	Windsor

	<u>Inside Initial Rate Area</u>	<u>Outside Initial Rate Area - Within Zones</u>			
		<u>1</u>	<u>2</u>	<u>3</u>	<u>4</u>
<u>Business</u>					
One-Party	\$ 8.65	\$11.00	\$13.30	\$15.65	\$17.95
Trunk	15.00	17.35	19.65	22.00	24.30
Four-Party	6.05**	11.20	11.20	11.20	11.20
Semi-Public Coin	8.65	11.00	13.30	15.65	17.95
<u>Residence</u>					
One-Party	\$4.25	\$ 6.60	\$ 8.90	\$11.25	\$13.55
Four-Party	2.95	5.50	5.50	5.50	5.50
Trunk	7.50	9.85	12.15	14.50	16.80

* EAS additives for these exchanges are found on the sheet immediately following.

** Business four-party service within the initial rate area is not available to new applicants. This service to existing customers will be upgraded to one-party service as facilities become available.

CANCELLED

NOV 1 1993
BY *Let R. S. #10*
Public Service Commission
MISSOURI

FILED

NOV 7 1992

MO. PUBLIC SERVICE COMM.
EFFECTIVE:

ISSUED:
September 17, 1992

BY: John L. Roe
Vice President - Administration
5454 West 110th Street
Overland Park, Kansas 66211

~~SEP 17 1992~~
NOV 7 1992

GENERAL EXCHANGE TARIFF

**Embarq Missouri, Inc.
d/b/a Embarq**

Tenth Revised Page 11 (C)
Cancels Ninth Revised Page 11 (C)

LOCAL EXCHANGE SERVICE (C)

IV. LOCAL MEASURED SERVICE (LMS) (Cont'd) (T) (M)

B. RATES AND CHARGES (Cont'd) (T)

2. Usage charges which consider frequency, duration, and time-of-day are in addition to the basic access line charge.

3. Rates for calls within the existing non-toll calling area.

a.	<u>Distance</u>	<u>1st MOU</u>	<u>Add'l MOU</u>
	Exchange	\$.03 (R)	\$.03 (I)
	1-14 miles	.03	.03
	15-28 miles	.03	.03 (I)
	Over 28 miles	.03 (R)	.03

b. Time of Day Discounts

For calls placed in the below listed time periods, discounted charges will apply as described:

<u>TIME</u>	<u>PERCENT DISCOUNT</u>
Evening (5 p.m. - 11 p.m.)	20%
Night (11 p.m. - 8 a.m.)	35%
Weekend (8 a.m. Sat. - 5 p.m. Sun.)	35%

c. Additional charges (M1)

The following charges are in addition to the basic usage charge.

Detail billing showing all calls placed from customer, per call (optional)	\$.03	(M1)
--	--------	------

(M) Material now appearing on this page was previously found on Original Page 21.1.

(M1) Material now appearing on this page was previously found on First Revised Page 22.

ISSUED:
January 20, 2009

BY: Darlene N. Terry
Manager - Tariffs
5454 W. 110th Street
Overland Park, Kansas 66211

EFFECTIVE:
February 1, 2009

P.S.C. MO.-No. 22 Section 16
GENERAL EXCHANGE TARIFF

SPRINT MISSOURI, INC.
d/b/a SPRINT

Ninth Revised Page 11
Cancels Eighth Revised Page 11

LOCAL EXCHANGE SERVICE RATE GROUPS

Reserved for Future Filing

(RT)

(RT)

(MT)

(MT)

(RT)

(MT)

(MT)

(RT)

ISSUED:
December 27, 2001

BY: Richard D. Lawson
State Executive, External Affairs
319 Madison
Jefferson City, MO 65101

EFFECTIVE:
January 26, 2002

CANCELLED
February 1, 2009
Missouri Public
Service Commission
JI-2009-0528

Filed
Missouri Public
Service Commission

GENERAL EXCHANGE TARIFF

SPRINT MISSOURI, INC.
d/b/a SPRINT

Eighth Revised Page 11
Cancels Seventh Revised Page 11

RECEIVED

LOCAL EXCHANGE SERVICE RATE GROUPS

V. MONTHLY RATES - RATE GROUP II (1,301 - 4,000) (Cont'd)

JAN 31 2001

A. EAS ADDITIVES

MISSOURI
Public Service Commission

BUSINESS

<u>EXCHANGES</u>	<u>One-Party</u>	<u>Trunks</u>	(DR)
Cole Camp	\$.50	\$.50	
Holden	.80	.80	
Lake Lotawana	2.15	2.15	
Russellville	7.30	7.30	

RESIDENCE

<u>EXCHANGES</u>	<u>One-Party</u>	<u>Trunks</u>	(DR)
Cole Camp	\$.25	\$.25	
Holden	.40	.40	
Lake Lotawana	1.10	1.10	
Russellville	3.65	3.65	

For description of the EAS additive for each Exchange, see VIII. "Extended Area Service" in this section.

CANCELLED

FILED

JAN 26 2002

MAR 07 2001

94hRP 11
Public Service Commission
MISSOURI

MISSOURI
Public Service Commission

ISSUED:
January 31, 2001

EFFECTIVE:

BY: Richard D. Lawson
State Executive, External Affairs
319 Madison
Jefferson City, MO 65101

March 2, 2001

MAR 07 2001

GENERAL EXCHANGE TARIFF

SPRINT MISSOURI, INC.
d/b/a SPRINT

Seventh Revised Page 11
Cancels Sixth Revised Page 11

LOCAL EXCHANGE SERVICE RATE GROUPS

Missouri Public Service Commission

V. MONTHLY RATES - RATE GROUP II (1,301 - 4,000) (Cont'd)

REC'D JAN 31 2000

A. EAS ADDITIVES

BUSINESS

<u>EXCHANGES</u>	<u>One-Party</u>	<u>Trunks</u>	<u>Four-Party</u>	<u>Rural Four-Party</u>	
Cole Camp	\$.50	\$.50	N/A	N/A	(DR)
Holden	.80	.80	N/A	N/A	
Lake Lotawana	2.15	2.15	N/A	N/A	
Platte City	1.10	1.10	N/A	N/A	
Russellville	7.30	7.30	N/A	N/A	
Waynesville	5.35	5.35	N/A	N/A	

RESIDENCE

<u>EXCHANGES</u>	<u>One-Party</u>	<u>Four-Party</u>	<u>Rural Four-Party</u>	<u>Trunks</u>	
Cole Camp	\$.25	N/A	N/A	\$.25	(DR)
Holden	.40	N/A	N/A	.40	
Lake Lotawana	1.10	N/A	N/A	1.10	
Platte City	.55	N/A	N/A	.55	
Russellville	3.65	N/A	N/A	3.65	
Waynesville	2.65	N/A	N/A	2.65	

For description of the EAS additive for each Exchange, see VIII. "Extended Area Service" in this section.

CANCELLED

MAR 07 2001
By *8th RPII*
Public Service Commission
MISSOURI

Missouri Public Service Commission

FILED MAR 01 2000

EFFECTIVE:
March 1, 2000

ISSUED:
January 31, 2000

BY: Richard D. Lawson
State Executive, External Affairs
319 Madison
Jefferson City, MO 65101

GENERAL EXCHANGE TARIFF

SPRINT MISSOURI, INC.
d/b/a SPRINT

Sixth Revised Page 11
Cancels Fifth Revised Page 11

LOCAL EXCHANGE SERVICE RATE GROUPS

Missouri Public
Service Commission

V. MONTHLY RATES - RATE GROUP II (1,301 - 4,000) (Cont'd)

REC'D JAN 22 1999

A. EAS ADDITIVES

BUSINESS

<u>EXCHANGES</u>	<u>One-Party</u>	<u>Trunks</u>	<u>Four-Party</u>	<u>Rural Four-Party</u>	
Cole Camp	\$.50	\$.50	\$.50	\$.50	
Holden	.80	.80	N/A	N/A	(DR)
Lake Lotawana	2.15	2.15	N/A	N/A	
Platte City	1.10	1.10	N/A	N/A	
Russellville	7.30	7.30	N/A	N/A	
Waynesville	5.35	5.35	N/A	N/A	(DR)

RESIDENCE

<u>EXCHANGES</u>	<u>One-Party</u>	<u>Four-Party</u>	<u>Rural Four-Party</u>	<u>Trunks</u>	
Cole Camp	\$.25	\$.25	\$.25	\$.25	
Holden	.40	N/A	N/A	.40	(DR)
Lake Lotawana	1.10	N/A	N/A	1.10	
Platte City	.55	N/A	N/A	.55	
Russellville	3.65	N/A	N/A	3.65	
Waynesville	2.65	N/A	N/A	2.65	(DR)

For description of the EAS additive for each Exchange, see VIII. "Extended Area Service" in this section.

CANCELLED

MAR 01 2000

By 7th RP II
Public Service Commission
MISSOURI

Missouri Public
Service Commission

FILED FEB 22 1999

ISSUED:
January 22, 1999

BY: Richard D. Lawson
State Executive, External Affairs
319 Madison
Jefferson City, MO 65101

EFFECTIVE:
February 22, 1999

P.S.C. MO.-No. 22 Section 16
 GENERAL EXCHANGE TARIFF

SPRINT MISSOURI, INC.
 d/b/a SPRINT

Fifth Revised Page 11
 Cancels Fourth Revised Page

RECEIVED

LOCAL EXCHANGE SERVICE RATE GROUPS

V. MONTHLY RATES - RATE GROUP II (1,301 - 4,000) (Cont'd)

DEC 17 1997

A. EAS ADDITIVES

MISSOURI
 Public Service Commission

BUSINESS

<u>EXCHANGES</u>	<u>One-Party</u>	<u>Trunks</u>	<u>Four-Party</u>	<u>Rural Four-Party</u>	
Cole Camp	\$.50	\$.50	\$.50	\$.50	
Holden	.80	.80	.80	.80	
Lake Lotawana	2.15	2.15	2.15	2.15	
Platte City	1.10	1.10	1.10	1.10	
Russellville	7.30	7.30	7.30	7.30	
Waynesville	5.35	5.35	5.35	5.35	(CT)

RESIDENCE

<u>EXCHANGES</u>	<u>One-Party</u>	<u>Four-Party</u>	<u>Rural Four-Party</u>	<u>Trunks</u>	
Cole Camp	\$.25	\$.25	\$.25	\$.25	
Holden	.40	.40	.40	.40	
Lake Lotawana	1.10	1.10	1.10	1.10	
Platte City	.55	.55	.55	.55	
Russellville	3.65	3.65	3.65	3.65	
Waynesville	2.65	2.65	2.65	2.65	(CT)

For description of the EAS additive for each Exchange, see VIII. "Extended Area Service" in this section.

CANCELLED

FEB 22 1999
 By *lthrs#11*
 Public Service Commission
 MISSOURI

FILED

JAN 16 1998

MO. PUBLIC SERVICE CO-OP

ISSUED:
 December 17, 1997

BY: John L. Roe
 VP - Carrier and Regulatory Services
 5454 West 110th Street
 Overland Park, Kansas 66211

EFFECTIVE:
 January 16, 1998

GENERAL EXCHANGE TARIFF

UNITED TELEPHONE COMPANY
OF MISSOURI d/b/a SPRINT

Fourth Revised Page 11
Cancels Third Revised Page 11

RECEIVED

LOCAL EXCHANGE SERVICE RATE GROUPS

JAN 15 1997

V. MONTHLY RATES - RATE GROUP II (1,301 - 4,000) (Cont'd)

MISSOURI
Public Service Commission

A. EAS ADDITIVES

EXCHANGES	BUSINESS			Rural	(RT)
	One-Party	Trunks	Four-Party	Four-Party	
Cole Camp	\$.50	\$.50	\$.50	\$.50	(DR)
Holden	.80	.80	.80	.80	(DR)
Lake Lotawana	2.15	2.15	2.15	2.15	(DR)
Platte City	1.10	1.10	1.10	1.10	(DR)
Russellville	7.30	7.30	7.30	7.30	(DR)
St. Robert	4.35	4.35	4.35	4.35	(DR)
Waynesville	5.35	5.35	5.35	5.35	(RT)

EXCHANGES	RESIDENCE			
	One-Party	Four-Party	Rural Four-Party	Trunks
Cole Camp	\$.25	\$.25	\$.25	\$.25
Holden	.40	.40	.40	.40
Lake Lotawana	1.10	1.10	1.10	1.10
Platte City	.55	.55	.55	.55
Russellville	3.65	3.65	3.65	3.65
St. Robert	2.15	2.15	2.15	2.15
Waynesville	2.65	2.65	2.65	2.65

For description of the EAS additive for each Exchange, see VIII. "Extended Area Service" in this section.

CANCELLED

FILED

JAN 16 1998

By SWRS #11
Public Service Commission
MISSOURI

APR 15 1997

MO. PUBLIC SERVICE COMMISSION

ISSUED:
January 15, 1997

BY: John L. Roe
Vice President - Carrier & Regulatory Services
5454 West 110th Street
Overland Park, Kansas 66211

APR 15 1997

UNITED TELEPHONE COMPANY
OF MISSOURI D/B/A SPRINT

GENERAL EXCHANGE TARIFF

Third Revised Page 11
Cancels Second Revised Page 11

RECEIVED

LOCAL EXCHANGE SERVICE RATE GROUPS

NOV 1 1996

V. MONTHLY RATES - RATE GROUP II (1,301 - 4,000) (Cont'd)

**MISSOURI
Public Service Commission**

A. EAS ADDITIVE

<u>BUSINESS</u> <u>EXCHANGES</u>	<u>One-Party</u>	<u>Trunks</u>	<u>Four-Party</u>	<u>Semi-Public Coin</u>	<u>Rural Four-Party</u>
Cole Camp	\$.50	\$.50	\$.50	\$.50	\$.50
Holden	.80	.80	.80	.80	.80
Lake Lotawana	2.15	2.15	2.15	2.15	2.15
Platte City	1.10	1.10	1.10	1.10	1.10
Russellville	7.30	7.30	7.30	7.30	7.30
St. Robert	4.35	4.35	4.35	4.35	4.35
Waynesville	5.35	5.35	5.35	5.35	5.35

(AT)

<u>RESIDENCE</u> <u>EXCHANGES</u>	<u>One-Party</u>	<u>Four-Party</u>	<u>Rural Four-Party</u>	<u>Trunks</u>
Cole Camp	\$.25	\$.25	\$.25	\$.25
Holden	.40	.40	.40	.40
Lake Lotawana	1.10	1.10	1.10	1.10
Platte City	.55	.55	.55	.55
Russellville	3.65	3.65	3.65	3.65
St. Robert	2.15	2.15	2.15	2.15
Waynesville	2.65	2.65	2.65	2.65

(AT)

For description of the EAS additive for each Exchange, see VIII. "Extended Area Service" in this section.

CANCELLED

APR 15 1997
BY 4 R.S. #11
Public Service Commission
MISSOURI

FILED

DEC 2 1996

MO.PUBLICSERVICECOMM

ISSUED:
November 1, 1996

BY: John L. Roe
Vice President - Carrier and Regulatory Services
5454 West 110th Street
Overland Park, Kansas 66211

EFFECTIVE:
December 2, 1996

GENERAL EXCHANGE TARIFF

UNITED TELEPHONE COMPANY
OF MISSOURI

Second Revised Page 11
Cancels First Revised Page 11

RECEIVED

LOCAL EXCHANGE SERVICE RATE GROUPS

V. MONTHLY RATES - RATE GROUP II (1,301 - 4,000) (Cont'd)

JUL 15 1994

A. EAS ADDITIVE

MO. PUBLIC SERVICE COMM.

<u>BUSINESS</u>				Semi-	Rural	
<u>EXCHANGES</u>	One- Party	Trunk	Four- Party	Public Coin	Four- Party	
Cole Camp	\$.50	\$.50	\$.50	\$.50	\$.50	
Holden	.80	.80	.80	.80	.80	
Lake Lotawana	2.15	2.15	2.15	2.15	2.15	(RT)
Platte City	1.10	1.10	1.10	1.10	1.10	
St. Robert	4.35	4.35	4.35	4.35	4.35	
Waynesville	5.35	5.35	5.35	5.35	5.35	
<u>RESIDENCE</u>						
<u>EXCHANGES</u>	One- Party	Four- Party	Rural Four- Party	Trunk		
Cole Camp	\$.25	\$.25	\$.25	\$.25		
Holden	.40	.40	.40	.40		
Lake Lotawana	1.10	1.10	1.10	1.10		(RT)
Platte City	.55	.55	.55	.55		
St. Robert	2.15	2.15	2.15	2.15		
Waynesville	2.65	2.65	2.65	2.65		

For description of the EAS additive for each Exchange, see VIII. "Extended Area Service" in this section.

CANCELLED

(RT)

DEC 2 1995
BY 3rd P.S. #11
Public Service Commission
MISSOURI

FILED

AUG 19 1994
95 - 38
MO. PUBLIC SERVICE COMM.
EFFECTIVE:
August 19, 1994

ISSUED:
July 15, 1994

BY: John L. Roe
Vice President - Administration
5454 West 110th Street
Overland Park, KS 66211

GENERAL EXCHANGE TARIFF

UNITED TELEPHONE COMPANY
OF MISSOURI

First Revised Page 11
Cancels Original Page 11

LOCAL EXCHANGE SERVICE RATE GROUPS

RECEIVED

V. MONTHLY RATES - RATE GROUP II (1,301 - 4,000) (Cont'd)

FEB 03 1994

A. EAS ADDITIVE

MISSOURI

<u>BUSINESS</u>	One-Party	Trunk	Four-Party	Semi-Public Coin	Public Service Commission Four-Party	
<u>EXCHANGES</u>						
Cole Camp	\$.50	\$.50	\$.50	\$.50	\$.50	
Holden	.80	.80	.80	.80	.80	
Lake Lotawana	2.15	2.15	2.15	2.15	2.15	(MT)
Lake Lotawana*	25.00	25.00	25.00	25.00	25.00	
Platte City	1.10	1.10	1.10	1.10	1.10	
St. Robert	4.35	4.35	4.35	4.35	4.35	
Waynesville	5.35	5.35	5.35	5.35	5.35	
<u>RESIDENCE</u>			Rural Four-Party			
<u>EXCHANGES</u>	One-Party	Four-Party	Trunk			
Cole Camp	\$.25	\$.25	\$.25	\$.25		
Holden	.40	.40	.40	.40		
Lake Lotawana	1.10	1.10	1.10	1.10		(MT)
Lake Lotawana*	20.00	20.00	20.00	20.00		
Platte City	.55	.55	.55	.55		
St. Robert	2.15	2.15	2.15	2.15		
Waynesville	2.65	2.65	2.65	2.65		

For description of the EAS additive for each Exchange, see VIII. "Extended Area Service" in this section.

*See X. "Optional Extended Area Service" in this section.

CANCELLED

AUG 19 1994
BY *[Signature]* R.P.11
Public Service Commission
MISSOURI

FILED

FEB 21 1994
94 - 237

MISSOURI
Public Service Commission
EFFECTIVE:

ISSUED:
February 3, 1994

BY: John L. Roe
Vice President - Administration
5454 West 110th Street
Overland Park, Kansas 66211

~~February 3, 1994~~
FEB 21 1994

GENERAL EXCHANGE TARIFF

UNITED TELEPHONE COMPANY
OF MISSOURI

Original Page 11
RECEIVED

LOCAL EXCHANGE SERVICE RATE GROUPS

SEP 17 1992

V. MONTHLY RATES - RATE GROUP II (1,301 - 4,000) (Cont'd)

MISSOURI
PUBLIC SERVICE COMMISSION

A. EAS ADDITIVE

<u>BUSINESS</u>					
<u>EXCHANGES</u>	One-Party	Trunk	Four-Party	Semi-Public Coin	Rural Four-Party
Cole Camp	\$.50	\$.50	\$.50	\$.50	\$.50
Ferrelview	7.30	7.30	7.30	7.30	7.30
Fort Leonard Wood	2.30	2.30	2.30	2.30	2.30
Holden	.80	.80	.80	.80	.80
Lake Lotawana	2.15	2.15	2.15	2.15	2.15
Lake Lotawana*	25.00	25.00	25.00	25.00	25.00
Platte City	1.10	1.10	1.10	1.10	1.10
St. Robert	4.35	4.35	4.35	4.35	4.35
Waynesville	5.35	5.35	5.35	5.35	5.35

<u>RESIDENCE</u>					
<u>EXCHANGES</u>	One-Party	Four-Party	Rural Four-Party	Trunk	
Cole Camp	\$.25	\$.25	\$.25	\$.25	
Ferrelview	3.65	3.65	3.65	3.65	
Fort Leonard Wood	1.15	1.15	1.15	1.15	
Holden	.40	.40	.40	.40	
Lake Lotawana	1.10	1.10	1.10	1.10	
Lake Lotawana*	20.00	20.00	20.00	20.00	
Platte City	.55	.55	.55	.55	
St. Robert	2.15	2.15	2.15	2.15	
Waynesville	2.65	2.65	2.65	2.65	

CANCELLED

FEB 21 1994

BY let R.S. #11
Public Service Commission
MISSOURI

For description of the EAS additive for each Exchange, see VIII. "Extended Area Service" in this section.

*See X. "Optional Extended Area Service" in this section.

FILED

NOV 7 1992

ISSUED:
September 17, 1992

BY: John L. Roe
Vice President - Administration
5454 West 110th Street
Overland Park, Kansas 66211

MO. PUBLIC SERVICE COMM.
EFFECTIVE:

~~October 17, 1992~~

NOV 7 1992

GENERAL EXCHANGE TARIFF

**Embarq Missouri, Inc.
d/b/a Embarq**

Sixteenth Revised Page 12 (C)
Cancels Fifteenth Revised Page 12 (C)

LOCAL EXCHANGE SERVICE

(C)

V. COMPETITIVE EXCHANGES

(T) (M)

The following exchanges are classified as competitive:

A. RESIDENCE

Appleton City ⁽⁹⁾	Eugene ⁽⁹⁾	Lexington ⁽⁹⁾	Russellville ⁽⁹⁾
Blackburn ⁽⁹⁾	Fairfax ⁽⁹⁾	Lincoln ⁽⁹⁾	St. Robert ⁽⁶⁾
Blairstown ⁽⁹⁾	Ferrelview ⁽²⁾	Lone Jack ⁽⁸⁾	St. Thomas ⁽⁹⁾
Brazito ⁽⁹⁾	Ft. Leonard Wood ⁽⁶⁾	Malta Bend ⁽⁹⁾	Salem ⁽⁷⁾
Buckner ⁽⁴⁾	Green Ridge ⁽⁹⁾	Maryville ⁽⁹⁾	Smithton ⁽⁹⁾
Butler ⁽⁹⁾	Hardin ⁽⁹⁾	Missouri City ⁽⁹⁾	Strasburg ⁽⁹⁾
Calhoun ⁽⁹⁾	Harrisonville ⁽⁹⁾	Montrose ⁽⁹⁾	Sweet Springs ⁽⁹⁾
California ⁽⁹⁾	Henrietta ⁽⁹⁾	Mound City ⁽⁹⁾	Syracuse ⁽⁹⁾
Camden Point ⁽⁹⁾	Holden ⁽⁹⁾	New Bloomfield ⁽⁹⁾	Taos ⁽⁹⁾
Centertown ⁽⁹⁾	Holt ⁽⁹⁾	Newburg ⁽⁹⁾	Tarkio ⁽⁹⁾
Centerview ⁽⁹⁾	Hopkins* ⁽⁹⁾	Norborne ⁽¹⁾	Tipton ⁽⁹⁾
Chilhowee ⁽⁹⁾	Houstonia ⁽⁹⁾	Oak Grove ⁽⁴⁾	Urich ⁽⁹⁾
Clarksburg ⁽⁹⁾	Ionia ⁽⁹⁾	Odessa ⁽⁴⁾	Warrensburg ⁽⁹⁾
Clinton ⁽⁹⁾	Jefferson City ⁽³⁾	Orrick ⁽⁹⁾	Warsaw ⁽⁹⁾
Coal ⁽⁹⁾	Kearney ⁽¹⁾	Otterville ⁽⁹⁾	Waverly ⁽⁹⁾
Cole Camp ⁽⁹⁾	King City ⁽⁹⁾	Pickering ⁽⁹⁾	Waynesville ⁽⁶⁾
Craig ⁽⁹⁾	Kingsville ⁽⁹⁾	Platte City ⁽²⁾	Wellington ⁽⁹⁾
Dearborn ⁽⁹⁾	Lake Lotawana ⁽⁴⁾	Pleasant Hill ⁽⁴⁾	Weston ⁽²⁾
Deepwater ⁽⁹⁾	Lebanon ⁽⁵⁾	Richland ⁽⁹⁾	Windsor ⁽⁹⁾
Edgerton ⁽⁹⁾	Leeton ⁽⁹⁾	Rolla ⁽¹⁾	

All services in competitive exchanges are eligible for exchange-specific pricing. When exchange-specific rates do apply, those competitive exchanges with rates that differ from those of non-competitive exchanges will be listed for that given service. It is therefore possible for the competitive exchange listings to vary by service.

- (1) Competitive Service Classification pursuant to MO PSC Order of December 4, 2003, in Case No. IO-2003-0281.
- (2) Competitive Service Classification pursuant to Case No. IO-2006-0092, effective August 28, 2005.
- (3) Competitive Service Classification pursuant to Case No. TO-2006-0375, effective May 1, 2006.
- (4) Competitive Service Classification pursuant to Case No. IO-2006-0551, effective July 31, 2006.
- (5) Competitive Service Classification pursuant to Case No. TO-2008-0028, effective August 30, 2007.
- (6) Competitive Service Classification pursuant to Case No. TO-2008-0147, effective December 6, 2007.
- (7) Competitive Service Classification pursuant to Case No. TO-2008-0380, effective July 3, 2008.
- (8) Competitive Service Classification pursuant to Case No. TO-2009-0061, effective October 28, 2008.
- (9) Competitive Service Classification pursuant to Case No. TO-2009-0061, effective November 28, 2008.

* Includes North Hopkins, Iowa

(M) Material now appearing on this page was previously found on Twelfth Revised Page 23.

(M)

ISSUED:
January 20, 2009

BY: Darlene N. Terry
Manager - Tariffs
5454 W. 110th Street
Overland Park, Kansas 66211

EFFECTIVE:
February 1, 2009

P.S.C. MO.-No. 22 Section 16
GENERAL EXCHANGE TARIFF

SPRINT MISSOURI, INC.
d/b/a SPRINT

Fifteenth Revised Page 12
Cancels Fourteenth Revised Page 12

LOCAL EXCHANGE SERVICE RATE GROUPS

Reserved for Future Filing

(RT)

(RT)

ISSUED:
December 27, 2001

BY: Richard D. Lawson
State Executive, External Affairs
319 Madison
Jefferson City, MO 65101

EFFECTIVE:
January 26, 2002

CANCELLED
February 1, 2009
Missouri Public
Service Commission
JI-2009-0528

Filed
Missouri Public
Service Commission

GENERAL EXCHANGE TARIFF

SPRINT MISSOURI, INC.
d/b/a SPRINT

Fourteenth Revised Page 12
Cancels Thirteenth Revised Page 12

Missouri Public

LOCAL EXCHANGE SERVICE RATE GROUPS

REC'D AUG 17 2001

VI. MONTHLY RATES - RATE GROUP III (4,001 - 20,000)

All monthly local exchange rates include Touch Tone Service.

Service Commission (AT)

A. Local Exchange Service Rates shown below apply to the following exchanges:

Butler	Clinton*	Ferrelview*	
Ft. Leonard Wood*	Harrisonville	Kearney	
Lebanon	Maryville*	Oak Grove	
Odessa	Platte City*	Pleasant Hill	(CT)
St. Robert*	Salem	Warrensburg*	
Warsaw	Waynesville*		(AT)

Business

One-Party	\$17.06
Trunk	25.78

Residence

One-Party	10.02
Trunk	13.35

* EAS additives for these exchanges are found on the sheet immediately following.

CANCELLED

JAN 26 2002
E. J. SHARP JR.
Public Service Commission
MISSOURI

Missouri Public

FILED SEP 17 2001

Public Service Commission

ISSUED:
August 17, 2001

BY: Richard D. Lawson
State Executive, External Affairs
319 Madison
Jefferson City, MO 65101

EFFECTIVE:
September 17, 2001

P.S.C. MO.-No. 22 Section 16
GENERAL EXCHANGE TARIFF

SPRINT MISSOURI, INC.
d/b/a SPRINT

Thirteenth Revised Page 12
Cancels Twelfth Revised Page 12

RECEIVED

JAN 31 2001

LOCAL EXCHANGE SERVICE RATE GROUPS

VI. MONTHLY RATES - RATE GROUP III (4,001 - 20,000)

A. Local Exchange Service Rates shown below apply to the following exchanges

**MISSOURI
Public Service Commission**

Butler
*Ft. Leonard Wood**
Lebanon
Odessa
*St. Robert**
Warsaw

*Clinton**
Harrisonville
*Maryville**
Platte City
Salem

*Ferrelview**
Kearney
Oak Grove
Pleasant Hill
*Warrensburg**

(CR)(NR)

(NR)(DR)

(CR)

Business

One-Party \$17.06
Trunk 25.78

CANCELLED

(DR)

Residence

One-Party 10.02
Trunk 13.35

SEP 17 2001
By 144h RP#12
Public Service Commission
MISSOURI

(DR)

* EAS additives for these exchanges are found on the sheet immediately following.

(DT)

FILED

MAR 07 2001

**MISSOURI
Public Service Commission**

ISSUED:
January 31, 2001

BY: Richard D. Lawson
State Executive, External Affairs
319 Madison
Jefferson City, MO 65101

EFFECTIVE:
March 2, 2001

MAR 07 2001

GENERAL EXCHANGE TARIFF

SPRINT MISSOURI, INC.
d/b/a SPRINT

Twelfth Revised Page 12
Cancels Eleventh Revised Page 12

LOCAL EXCHANGE SERVICE RATE GROUPS **Missouri Public Service Commission**

VI. MONTHLY RATES - RATE GROUP III (4,001 - 20,000)

REC'D OCT 27 2000

A. Local Exchange Service Rates shown below apply to the following exchanges:

Clinton*(1)	Ferrelview*(1)	Ft. Leonard Wood*(1)
Harrisonville	Kearney	Lebanon (1)
Maryville*(1)	Oak Grove (1)	Odessa (1)
Rolla (1)	St. Robert* (1)	Salem (1)
Warrensburg* (1)	Warsaw (1)	

(RTj)
|
(RT)

Business

One-Party	\$17.06
Trunk	25.78
Four-Party	12.76

CANCELLED

(CR)(DR)
| |
(CR)(DR)

Residence

One-Party	10.02
Four-Party	7.82
Trunk	13.35

MAR 07 2001
By 13th RP 12
Public Service Commission
MISSOURI

(CR)(DR)
| |
(CR)(DR)

* EAS additives for these exchanges are found on the sheet immediately following.

(1) Denotes an exchange that is exclusively **one-party**.

(DT)
(DT)

Missouri Public Service Commission

FILED DEC 11 2000

ISSUED:
October 27, 2000

BY: Richard D. Lawson
State Executive, External Affairs
319 Madison
Jefferson City, MO 65101

EFFECTIVE:
December 11, 2000

GENERAL EXCHANGE TARIFF

SPRINT MISSOURI, INC.
d/b/a SPRINT

Eleventh Revised Page 12
Cancels Tenth Revised Page 12

**Missouri Public
Service Commission**

LOCAL EXCHANGE SERVICE RATE GROUPS

VI. MONTHLY RATES - RATE GROUP III (4,001 - 20,000)

REC'D JAN 31 2000

A. Local Exchange Service Rates shown below apply to the following exchanges:

Clinton*(1)	Ferrelview*(1)	Ft. Leonard Wood*(1)	
Harrisonville	Kearney	Lebanon (1)	
Maryville*(1)	Oak Grove (1)	Odessa (1)	
Rolla (1)	St. Robert* (1)	Salem (1)	(CT)
Warrensburg* (1)	Warsaw (1)		

CANCELLED

DEC 11 2000

By 124 RP 12
Public Service Commission
MISSOURI

	Inside Initial Rate Area	Outside Initial Rate Area - Within Zones			
		<u>1</u>	<u>2</u>	<u>3</u>	<u>4</u>
<u>Business</u>					
One-Party	\$13.45	\$15.80	\$18.10	\$20.45	\$22.75
Trunk	23.70	26.05	28.35	30.70	33.00
Four-Party	9.15	15.05	15.05	15.05	15.05
<u>Residence</u>					
One-Party	6.82	9.17	11.47	13.82	16.12
Four-Party	4.62	7.42	7.42	7.42	7.42
Trunk	11.75	14.10	16.40	18.75	21.05

*EAS additives for these exchanges are found on the sheet immediately following.

(1) Denotes an exchange that is exclusively one-party. Only Zone 1 mileage charges of \$2.35 are applicable outside the initial rate area. (See Section 17 for complete schedule of rates.)

**Missouri Public
Service Commission**

FILED MAR 01 2000

ISSUED:
January 31, 2000

BY: Richard D. Lawson
State Executive, External Affairs
319 Madison
Jefferson City, MO 65101

EFFECTIVE:
March 1, 2000

GENERAL EXCHANGE TARIFF

SPRINT MISSOURI, INC.
d/b/a SPRINT

Tenth Revised Page 12
Cancels Ninth Revised Page 12

Missouri Public
Service Commission

LOCAL EXCHANGE SERVICE RATE GROUPS

REC'D OCT 27 1999

VI. MONTHLY RATES - RATE GROUP III (4,001 - 20,000)

A. Local Exchange Service Rates shown below apply to the following exchanges:

Clinton*(1)	Ferrelview*(1)	Ft. Leonard Wood*(1)
Harrisonville	Kearney	Lebanon (1)
Maryville*(1)	Oak Grove (1)	Odessa (1)
Rolla	St. Robert*(1)	Salem (1)
Warrensburg* (1)	Warsaw (1)	

	Inside Initial Rate Area	Outside Initial Rate Area - Within Zones			
		<u>1</u>	<u>2</u>	<u>3</u>	<u>4</u>
<u>Business</u>					
One-Party	\$13.45	\$15.80	\$18.10	\$20.45	\$22.75
Trunk	23.70	26.05	28.35	30.70	33.00 (CR)
Four-Party	9.15	15.05	15.05	15.05	15.05
<u>Residence</u>					
One-Party	6.82	9.17	11.47	13.82	16.12
Four-Party	4.62	7.42	7.42	7.42	7.42
Trunk	11.75	14.10	16.40	18.75	21.05 (CR)

*EAS additives for these exchanges are found on the sheet immediately following.

(1) Denotes an exchange that is exclusively one-party. Only Zone 1 mileage charges of \$2.35 are applicable outside the initial rate area. (See Section 17 of the schedule of rates.)

CANCELLED

Missouri Public
Service Commission

MAR 01 2000

FILED NOV 26 1999

ISSUED: Missouri Public Service Commission
October 27, 1999
BY: Richard D. Lawson
State Executive, External Affairs
319 Madison
Jefferson City, MO 65101

EFFECTIVE:
November 26, 1999

GENERAL EXCHANGE TARIFF

SPRINT MISSOURI, INC.
d/b/a SPRINT

Ninth Revised Page 12
Cancels Eighth Revised Page 12

Missouri Public
Service Commission

LOCAL EXCHANGE SERVICE RATE GROUPS

VI. MONTHLY RATES - RATE GROUP III (4,001 - 20,000)

REC'D JAN 22 1999

A. Local Exchange Service Rates shown below apply to the following exchanges:

Clinton*(1)	Ferrelview*(1)	Ft. Leonard Wood*(1)	(CT)
Harrisonville	Kearney	Lebanon (1)	
Maryville*(1)	Oak Grove (1)	Odessa (1)	(CT)
Rolla	St. Robert* (1)	Salem (1)	
Warrensburg* (1)	Warsaw (1)		

	Inside Initial Rate Area	Outside Initial Rate Area - Within Zones			
		<u>1</u>	<u>2</u>	<u>3</u>	<u>4</u>
<u>Business</u>					
One-Party	\$13.45	\$15.80	\$18.10	\$20.45	\$22.75
Trunk	21.95	24.30	26.60	28.95	31.25
Four-Party	9.15	15.05	15.05	15.05	15.05
<u>Residence</u>					
One-Party	6.82	9.17	11.47	13.82	16.12
Four-Party	4.62	7.42	7.42	7.42	7.42
Trunk	10.92	13.27	15.57	17.92	20.22

*EAS additives for these exchanges are found on the sheet immediately following.

CANCELLED

NOV 26 1999

By *LDH/S#12*
Public Service Commission
MISSOURI

(1) Denotes an exchange that is exclusively one-party. Only Zone 1 mileage charges of \$2.35 are applicable outside the initial rate area. (See Section 17 for complete schedule of rates.)

Missouri Public
Service Commission

FILED FEB 22 1999

ISSUED:
January 22, 1999

BY: Richard D. Lawson
State Executive, External Affairs
319 Madison
Jefferson City, MO 65101

EFFECTIVE:
February 22, 1999

GENERAL EXCHANGE TARIFF

SPRINT MISSOURI, INC.
d/b/a SPRINT

RECEIVED
Eighth Revised Page 12
Cancels Seventh Revised Page 12

LOCAL EXCHANGE SERVICE RATE GROUPS DEC 17 1997

VI. MONTHLY RATES - RATE GROUP III (4,001 - 20,000)

MISSOURI
Public Service Commission

A. Local Exchange Service Rates shown below apply to the following exchanges:

Clinton*	Ferrelview*(1)	Ft. Leonard Wood*(1)	
Harrisonville	Kearney	Lebanon (1)	(CT)
Maryville*	Oak Grove (1)	Odessa (1)	
Rolla	St. Robert* (1)	Salem (1)	(CT)
Warrensburg* (1)	Warsaw (1)		(CT)

	Inside Initial Rate Area	Outside Initial Rate Area - Within Zones			
		<u>1</u>	<u>2</u>	<u>3</u>	<u>4</u>
<u>Business</u>					
One-Party	\$13.45	\$15.80	\$18.10	\$20.45	\$22.75
Trunk	21.95	24.30	26.60	28.95	31.25
Four-Party	9.15	15.05	15.05	15.05	15.05
<u>Residence</u>					
One-Party	6.82	9.17	11.47	13.82	16.12
Four-Party	4.62	7.42	7.42	7.42	7.42
Trunk	10.92	13.27	15.57	17.92	20.22

*EAS additives for these exchanges are found on the sheet immediately following.

(1) Denotes an exchange that is exclusively one-party. Only Zone 1 mileage charges of \$2.35 are applicable outside the initial rate area. (See Section 17 for complete schedule of rates.)

CANCELLED

FEB 22 1999
BY *Auth RS #12*
Public Service Commission
MISSOURI

FILED

JAN 16 1998

MO. PUBLIC SERVICE CO-AM

ISSUED:
December 17, 1997

BY: John L. Roe
VP - Carrier and Regulatory Services
5454 West 110th Street
Overland Park, Kansas 66211

EFFECTIVE:
January 16, 1998

GENERAL EXCHANGE TARIFF

UNITED TELEPHONE COMPANY
OF MISSOURI d/b/a SPRINT

Seventh Revised Page 12
Cancels Sixth Revised Page 12
RECEIVED

LOCAL EXCHANGE SERVICE RATE GROUPS

NOV 12 1997

VI. MONTHLY RATES - RATE GROUP III (4,001 - 20,000)

MO. PUBLIC SERVICE COMMISSION

A. Local Exchange Service Rates shown below apply to the following exchanges:

Clinton*	Ferrelview*(1)	Ft. Leonard Wood*(1)	
Harrisonville	Lebanon (1)	Maryville*	(CT)
Oak Grove (1)	Odessa (1)	Rolla	(CT)
Salem (1)	Warrensburg*	Warsaw (1)	

	Inside Initial Rate Area	Outside Initial Rate Area - Within Zones			
		<u>1</u>	<u>2</u>	<u>3</u>	<u>4</u>
<u>Business</u>					
One-Party	\$13.45	\$15.80	\$18.10	\$20.45	\$22.75
Trunk	21.95	24.30	26.60	28.95	31.25
Four-Party	9.15	15.05	15.05	15.05	15.05
<u>Residence</u>					
One-Party	6.82	9.17	11.47	13.82	16.12
Four-Party	4.62	7.42	7.42	7.42	7.42
Trunk	10.92	13.27	15.57	17.92	20.22

*EAS additives for these exchanges are found on the sheet immediately following.

(1) Denotes an exchange that is exclusively one-party. Only Zone 1 mileage charges of \$2.35 are applicable outside the initial rate area. (See Section 17 for complete schedule of rates.)

CANCELLED

FILED

JAN 16 1998

DEC 12 1997

By John Roe #12
Public Service Commission
MISSOURI

MISSOURI
Public Service Commission
EFFECTIVE:
December 12, 1997

ISSUED:
November 12, 1997

BY: John L. Roe
VP - Carrier and Regulatory Services
5454 West 110th Street
Overland Park, Kansas 66211

GENERAL EXCHANGE TARIFF

UNITED TELEPHONE COMPANY
OF MISSOURI d/b/a SPRINT

Sixth Revised Page 12
Cancels Fifth Revised Page 12

RECEIVED

LOCAL EXCHANGE SERVICE RATE GROUPS

JAN 15 1997

VI. MONTHLY RATES - RATE GROUP III (4,001 - 20,000)

MISSOURI
Public Service Commission

A. Local Exchange Service Rates shown below apply to the following exchanges:

Clinton*	Ferrelview*(1)	Ft. Leonard Wood*(1)
Harrisonville	Lebanon	Maryville*
Oak Grove	Odessa (1)	Rolla
Salem (1)	Warrensburg*	Warsaw (1)

	<u>Inside Initial Rate Area</u>	<u>Outside Initial Rate Area - Within Zones</u>			
		<u>1</u>	<u>2</u>	<u>3</u>	<u>4</u>
<u>Business</u>					
One-Party	\$13.45	\$15.80	\$18.10	\$20.45	\$22.75
Trunk	21.95	24.30	26.60	28.95	31.25
Four-Party	9.15	15.05	15.05	15.05	15.05
<u>Residence</u>					
One-Party	6.82	9.17	11.47	13.82	16.12
Four-Party	4.62	7.42	7.42	7.42	7.42
Trunk	10.92	13.27	15.57	17.92	20.22

(DR)(RT)

CANCELLED

*EAS additives for these exchanges are found on the sheet immediately following.

DEC 15 1997
By J. R. S. #12
Public Service Commission
MISSOURI

(1) Denotes an exchange that is exclusively one-party. Only Zone 1 mileage charges of \$2.35 are applicable outside the initial rate area. (See Section 17 for complete schedule of rates.)

FILED

APR 15 1997

MO. PUBLIC SERVICE COMM
EFFECTIVE:

ISSUED:
January 15, 1997

BY: John L. Roe
Vice President - Carrier & Regulatory Services
5454 West 110th Street
Overland Park, Kansas 66211

APR 15 1997

GENERAL EXCHANGE TARIFF

UNITED TELEPHONE COMPANY
OF MISSOURI D/B/A SPRINT

Fifth Revised Page 12
Cancels Fourth Revised Page 12

RECEIVED

LOCAL EXCHANGE SERVICE RATE GROUPS

DEC 10 1996

VI. MONTHLY RATES - RATE GROUP III (4,001 - 20,000)

**MISSOURI
Public Service Commission**

A. Local Exchange Service Rates shown below apply to the following exchanges:

Clinton*	Ferrelview*(1)	Ft. Leonard Wood*(1)
Harrisonville	Lebanon	Maryville*
Oak Grove	Odessa (1)	Rolla
Salem (1)	Warrensburg*	Warsaw (1)

(A7)

	<u>Inside Initial Rate Area</u>	<u>Outside Initial Rate Area - Within Zones</u>			
		<u>1</u>	<u>2</u>	<u>3</u>	<u>4</u>
<u>Business</u>					
One-Party	\$13.45	\$15.80	\$18.10	\$20.45	\$22.75
Trunk	21.95	24.30	26.60	28.95	31.25
Four-Party	9.15	15.05	15.05	15.05	15.05
Semi-Public Coin	13.45	15.80	18.10	20.45	22.75
<u>Residence</u>					
One-Party	6.82	9.17	11.47	13.82	16.12
Four-Party	4.62	7.42	7.42	7.42	7.42
Trunk	10.92	13.27	15.57	17.92	20.22

CANCELLED

*EAS additives for these exchanges are found on the sheet immediately following.

APR 15 1997
BY 6 Dr R.S. 12
Public Service Commission
MISSOURI

(1) Denotes an exchange that is exclusively one-party. Only Zone 1 mileage charges of \$2.35 are applicable outside the initial rate area. (See Section 17 for complete schedule of rates.)

FILED

JAN 13 1997

ISSUED:
December 10, 1996

BY: John L. Roe
Vice President - Carrier and Regulatory Services
5454 West 110th Street
Overland Park, Kansas 66211

MO. PUBLIC SERVICE COMM

January 13, 1997

GENERAL EXCHANGE TARIFF

UNITED TELEPHONE COMPANY
OF MISSOURI D/B/A SPRINT

Fourth Revised Page 12
Cancels Third Revised Page 12

RECEIVED

LOCAL EXCHANGE SERVICE RATE GROUPS

NOV 18 1996

VI. MONTHLY RATES - RATE GROUP III (4,001 - 20,000)

MISSOURI
Public Service Commission

A. Local Exchange Service Rates shown below apply to the following exchanges:

Clinton*	Ferrelview*(1)	Ft. Leonard Wood*(1)	
Harrisonville	Lebanon	Maryville*	
Oak Grove	Rolla	Salem (1)	(CT)
Warrensburg*	Warsaw (1)		

	<u>Inside Initial Rate Area</u>	<u>Outside Initial Rate Area - Within Zones</u>			
		<u>1</u>	<u>2</u>	<u>3</u>	<u>4</u>
<u>Business</u>					
One-Party	\$13.45	\$15.80	\$18.10	\$20.45	\$22.75
Trunk	21.95	24.30	26.60	28.95	31.25
Four-Party	9.15	15.05	15.05	15.05	15.05
Semi-Public Coin	13.45	15.80	18.10	20.45	22.75
<u>Residence</u>					
One-Party	6.82	9.17	11.47	13.82	16.12
Four-Party	4.62	7.42	7.42	7.42	7.42
Trunk	10.92	13.27	15.57	17.92	20.22

*EAS additives for these exchanges are found on the sheet immediately following.

(1) Denotes an exchange that is exclusively one-party. Only Zone 1 mileage charges of \$2.35 are applicable outside the initial rate area. (See Section 17 for complete schedule of rates.)

FILED

JAN 13 1997
BY: *5th R.S. #12*
Public Service Commission
MISSOURI

DEC 19 1996

MO. PUBLIC SERVICE COMM

ISSUED:
November 18, 1996

BY: John L. Roe
Vice President - Carrier and Regulatory Services
5454 West 110th Street
Overland Park, Kansas 66211

EFFECTIVE:
December 19, 1996

GENERAL EXCHANGE TARIFF

UNITED TELEPHONE COMPANY
OF MISSOURI

Third Revised Page 12
Cancels Second Revised Page 12

LOCAL EXCHANGE SERVICE RATE GROUPS

VI. MONTHLY RATES - RATE GROUP III (4,001 - 20,000)

RECEIVED

A. Local Exchange Service Rates shown below apply to the following exchanges:

DEC 20 1994

Clinton*
Harrisonville
Oak Grove
Warrensburg*

Ferrelview*(1)
Lebanon
Rolla
Warsaw (1)

Ft. Leonard Wood*(1)
Maryville*
Salem

MISSOURI
Public Service Commission

(AT)

	Inside Initial Rate Area	Outside Initial Rate Area - Within Zones			
		1	2	3	4
<u>Business</u>					
One-Party	\$13.45	\$15.80	\$18.10	\$20.45	\$22.75
Trunk	21.95	24.30	26.60	28.95	31.25
Four-Party	9.15	15.05	15.05	15.05	15.05
Semi-Public Coin	13.45	15.80	18.10	20.45	22.75
<u>Residence</u>					
One-Party	6.82	9.17	11.47	13.82	16.12
Four-Party	4.62	7.42	7.42	7.42	7.42
Trunk	10.92	13.27	15.57	17.92	20.22

*EAS additives for these exchanges are found on the sheet immediately following.

(1) Denotes an exchange that is exclusively one-party. Only Zone 1 mileage charges of \$2.35 are applicable outside the initial rate area. (See Section 17 for complete schedule of rates.)

CANCELLED

DEC 19 1994
BY 4 R. S. #13
Public Service Commission
MISSOURI

FILED

JAN 18 1995
95-211
MO. PUBLIC SERVICE COMM
EFFECTIVE:
JAN 18 1995

ISSUED:
December 20, 1994

By: John L. Roe
Vice President - Administration
5454 West 110th Street
Overland Park, Kansas 66211

GENERAL EXCHANGE TARIFF

UNITED TELEPHONE COMPANY
OF MISSOURI

Second Revised Page 12
Cancels First Revised Page 12

LOCAL EXCHANGE SERVICE RATE GROUPS

RECEIVED

VI. MONTHLY RATES - RATE GROUP III (4,001 - 20,000)

A. Local Exchange Service Rates shown below apply to the following exchanges:

FEB 03 1994
MISSOURI
Public Service Commission

Clinton*	Ferrelview*(1)	Ft. Leonard Wood*(1)	(MT)
Harrisonville	Lebanon	Maryville*	
Oak Grove	Rolla	Salem	(MT)
Warrensburg*	Warsaw		

	<u>Inside Initial Rate Area</u>	<u>Outside Initial Rate Area - Within Zones</u>			
		<u>1</u>	<u>2</u>	<u>3</u>	<u>4</u>
<u>Business</u>					
One-Party	\$13.45	\$15.80	\$18.10	\$20.45	\$22.75
Trunk	21.95	24.30	26.60	28.95	31.25
Four-Party	9.15	15.05	15.05	15.05	15.05
Semi-Public Coin	13.45	15.80	18.10	20.45	22.75
<u>Residence</u>					
One-Party	6.82	9.17	11.47	13.82	16.12
Four-Party	4.62	7.42	7.42	7.42	7.42
Trunk	10.92	13.27	15.57	17.92	20.22

* EAS additives for these exchanges are found on the sheet immediately following.

(1) Denotes an exchange that is exclusively one-party. Only Zone 1 mileage charges of \$2.35 are applicable outside the initial rate area. (See Section 17 for complete schedule of rates.) (MT)

CANCELLED

FILED

JAN 18 1995
BY 3rd B.S.#12
Public Service Commission
MISSOURI

FEB 21 1994
94-237
MISSOURI
Public Service Commission

ISSUED:
February 3, 1994

BY: John L. Roe
Vice President - Administration
5454 West 110th Street
Overland Park, Kansas 66211

EFFECTIVE:
~~March 31, 1994~~
FEB 21 1994

UNITED TELEPHONE COMPANY
OF MISSOURI

GENERAL EXCHANGE TARIFF

RECEIVED
First Revised Page 12
Cancels Original Page 12
NOV 2 1993

LOCAL EXCHANGE SERVICE RATE GROUPS

MO. PUBLIC SERVICE COMM.

VI. MONTHLY RATES - RATE GROUP III (4,001 - 20,000)

A. Local Exchange Service Rates shown below apply to the following exchanges:

Clinton* Rolla	Harrisonville Salem	Lebanon Warrensburg*	Maryville* Warsaw
-------------------	------------------------	-------------------------	----------------------

	<u>Inside Initial Rate Area</u>	<u>Outside Initial Rate Area - Within Zones</u>				
		<u>1</u>	<u>2</u>	<u>3</u>	<u>4</u>	
<u>Business</u>						
One-Party	\$ 13.45	\$15.80	\$18.10	\$20.45	\$22.75	(CR)
Trunk	21.95	24.30	26.60	28.95	31.25	(CT)
Four-Party	9.15	15.05	15.05	15.05	15.05	
Semi-Public Coin	13.45	15.80	18.10	20.45	22.75	
<u>Residence</u>						
One-Party	6.82	9.17	11.47	13.82	16.12	(CR)
Four-Party	4.62	7.42	7.42	7.42	7.42	
Trunk	10.92	13.27	15.57	17.92	20.22	

* EAS additives for these exchanges are found on the sheet immediately following.

CANCELLED

FEB 21 1994
BY 2nd R.S. #12
Public Service Commission
MISSOURI

FILED

NOV 7 1993
93 - 181
MO. PUBLIC SERVICE COMM.

ISSUED:
November 3, 1993

BY: John L. Roe
Vice President - Administration
5454 West 110th Street
Overland Park, Kansas 66211

EFFECTIVE:
November 7, 1993

GENERAL EXCHANGE TARIFF

UNITED TELEPHONE COMPANY
OF MISSOURI

Original Page 12

RECEIVED

LOCAL EXCHANGE SERVICE RATE GROUPS

SEP 17 1992

VI. MONTHLY RATES - RATE GROUP III (4,001 - 20,000)

A. Local Exchange Service Rates shown below apply to the following exchanges:

Clinton*	Harrisonville	Lebanon	Maryville*
Rolla	Salem	Warrensburg*	Warsaw

	<u>Inside Initial Rate Area</u>	<u>Outside Initial Rate Area - Within Zones</u>			
		<u>1</u>	<u>2</u>	<u>3</u>	<u>4</u>
<u>Business</u>					
One-Party	\$ 9.85	\$12.20	\$14.50	\$16.85	\$19.15
Trunk	17.25	19.60	21.90	24.25	26.55
Four-Party	6.90**	12.80	12.80	12.80	12.80
Semi-Public Coin	9.85	12.20	14.50	16.85	19.15
<u>Residence</u>					
One-Party	4.95	7.30	9.60	11.95	14.25
Four-Party	3.50	6.30	6.30	6.30	6.30
Trunk	8.60	10.95	13.25	15.60	17.90

* EAS additives for these exchanges are found on the sheet immediately following.

** Business four-party service within the initial rate area is not available to new applicants. Service to existing customers will be upgraded to one-party service as facilities become available.

CANCELLED

NOV 7 1993
BY *let R.S. #12*
Public Service Commission
MISSOURI

FILED

NOV 7 1992

MO. PUBLIC SERVICE COMM.

ISSUED:
September 17, 1992

BY: John L. Roe
Vice President - Administration
5454 West 110th Street
Overland Park, Kansas 66211

EFFECTIVE:
~~October 17, 1992~~
NOV 7 1992

GENERAL EXCHANGE TARIFF

**Embarq Missouri, Inc.
d/b/a Embarq**

Seventh Revised Page 13 (C)
Cancels Sixth Revised Page 13 (C)

LOCAL EXCHANGE SERVICE

(C)

V. COMPETITIVE EXCHANGES (Cont'd)

(T) (M)

The following exchanges are classified as competitive:

B. BUSINESS

Appleton City ⁽⁷⁾	Eugene ⁽⁷⁾	Lexington ⁽⁷⁾	Russellville ⁽⁷⁾
Blackburn ⁽⁸⁾	Fairfax ⁽⁸⁾	Lincoln ⁽⁷⁾	St. Robert ⁽²⁾
Blairstown ⁽⁸⁾	Ferrelview ⁽²⁾	Lone Jack ⁽⁷⁾	St. Thomas ⁽⁸⁾
Brazito ⁽⁸⁾	Ft. Leonard Wood ⁽⁷⁾	Malta Bend ⁽⁸⁾	Salem ⁽⁶⁾
Buckner ⁽⁶⁾	Green Ridge ⁽⁷⁾	Maryville ⁽⁷⁾	Smithton ⁽⁸⁾
Butler ⁽⁷⁾	Hardin ⁽⁸⁾	Missouri City ⁽⁷⁾	Strasburg ⁽⁸⁾
Calhoun ⁽⁸⁾	Harrisonville ⁽⁷⁾	Montrose ⁽⁷⁾	Sweet Springs ⁽⁷⁾
California ⁽⁷⁾	Henrietta ⁽⁷⁾	Mound City ⁽⁸⁾	Syracuse ⁽⁸⁾
Camden Point ⁽⁸⁾	Holden ⁽⁷⁾	New Bloomfield ⁽⁷⁾	Taos ⁽⁸⁾
Centertown ⁽⁸⁾	Holt ⁽⁸⁾	Newburg ⁽⁷⁾	Tarkio ⁽⁷⁾
Centerview ⁽⁷⁾	Hopkins* ⁽⁸⁾	Norborne ⁽¹⁾	Tipton ⁽⁷⁾
Chilhowee ⁽⁸⁾	Houstonia ⁽⁸⁾	Oak Grove ⁽⁶⁾	Urich ⁽⁷⁾
Clarksburg ⁽⁸⁾	Ionia ⁽⁸⁾	Odessa ⁽⁶⁾	Warrensburg ⁽⁵⁾
Clinton ⁽⁷⁾	Jefferson City ⁽³⁾	Orrick ⁽⁸⁾	Warsaw ⁽⁷⁾
Coal ⁽⁸⁾	Kearney ⁽¹⁾	Otterville ⁽⁸⁾	Waverly ⁽⁷⁾
Cole Camp ⁽⁷⁾	King City ⁽⁷⁾	Pickering ⁽⁷⁾	Waynesville ⁽²⁾
Craig ⁽⁸⁾	Kingsville ⁽⁸⁾	Platte City ⁽²⁾	Wellington ⁽⁷⁾
Dearborn ⁽⁸⁾	Lake Lotawana ⁽⁷⁾	Pleasant Hill ⁽⁶⁾	Weston ⁽⁷⁾
Deepwater ⁽⁸⁾	Lebanon ⁽⁴⁾	Richland ⁽⁷⁾	Windsor ⁽⁷⁾
Edgerton ⁽⁸⁾	Leeton ⁽⁷⁾	Rolla ⁽¹⁾	

All services in competitive exchanges are eligible for exchange-specific pricing. When exchange-specific rates do apply, those competitive exchanges with rates that differ from those of non-competitive exchanges will be listed for that given service. It is therefore possible for the competitive exchange listings to vary by service.

- (1) Competitive Service Classification pursuant to MO PSC Order of December 4, 2003, in Case No. IO-2003-0281.
- (2) Competitive Service Classification pursuant to Case No. IO-2006-0092, effective August 28, 2005.
- (3) Competitive Service Classification pursuant to Case No. TO-2006-0375, effective May 1, 2006.
- (4) Competitive Service Classification pursuant to Case No. TO-2007-0301, effective March 10, 2007.
- (5) Competitive Service Classification pursuant to Case No. TO-2008-0147, effective December 6, 2007.
- (6) Competitive Service Classification pursuant to Case No. TO-2008-0380, effective July 3, 2008.
- (7) Competitive Service Classification pursuant to Case No. TO-2009-0061, effective October 28, 2008.
- (8) Competitive Service Classification pursuant to Case No. TO-2009-0061, effective November 28, 2008.
- * Includes North Hopkins, Iowa

(M) Material now appearing on this page was previously found on Second Revised Page 24.

(M)

ISSUED:
January 20, 2009

BY: Darlene N. Terry
Manager - Tariffs
5454 W. 110th Street
Overland Park, Kansas 66211

EFFECTIVE:
February 1, 2009

P.S.C. MO.-No. 22 Section 16
GENERAL EXCHANGE TARIFF

SPRINT MISSOURI, INC.
d/b/a SPRINT

Sixth Revised Page 13
Cancels Fifth Revised Page 13

LOCAL EXCHANGE SERVICE RATE GROUPS

Reserved for Future Filing

(RT)

(RT)

(MT)

(MT)

(MT)

(MT)

(RT)

ISSUED:
December 27, 2001

BY: Richard D. Lawson
State Executive, External Affairs
319 Madison
Jefferson City, MO 65101

EFFECTIVE:
January 26, 2002

CANCELLED
February 1, 2009
Missouri Public
Service Commission
JI-2009-0528

Filed
Missouri Public
Service Commission

P.S.C. MO.-No. 22 Section 16
 GENERAL EXCHANGE TARIFF

SPRINT MISSOURI, INC.
 d/b/a SPRINT

Fifth Revised Page 13
 Cancels Fourth Revised Page 13

RECEIVED

LOCAL EXCHANGE SERVICE RATE GROUPS

VI. MONTHLY RATES - RATE GROUP III (4,001 - 20,000) (Con't)

JAN 31 2001

B. EAS ADDITIVES

MISSOURI
Public Service Commission

BUSINESS

<u>EXCHANGES</u>	<u>One-Party</u>	<u>Trunk</u>	
Clinton	\$.30	\$.30	
Ferrelview	7.30	7.30	
Fort Leonard Wood	2.30	2.30	
Maryville	.30	.30	
Platte City	1.10	1.10	(NR)
St. Robert	4.35	4.35	
Warrensburg	.25	.25	
Waynesville	5.35	5.35	(NR)

RESIDENCE

<u>EXCHANGES</u>	<u>One-Party</u>	<u>Trunk</u>	
Clinton	\$.15	\$.15	
Ferrelview	3.65	3.65	
Fort Leonard Wood	1.15	1.15	
Maryville	.15	.15	
Platte City	.55	.55	(NR)
St. Robert	2.15	2.15	
Warrensburg	.10	.10	
Waynesville	2.65	2.65	(NR)

CANCELLED

FILED

JAN 26 2002

MAR 07 2001

By: [Signature]
 Public Service Commission
MISSOURI

MISSOURI
Public Service Commission

For description of the EAS additive for each Exchange, see VIII "Extended Area Service" in this section.

ISSUED:
 January 31, 2001

BY: Richard D. Lawson
 State Executive, External Affairs
 319 Madison
 Jefferson City, MO 65101

EFFECTIVE:

MAR 07 2001

GENERAL EXCHANGE TARIFF

SPRINT MISSOURI, INC.
d/b/a SPRINT

Fourth Revised Page 13
Cancels Third Revised Page 13

LOCAL EXCHANGE SERVICE RATE GROUPS

Missouri Public
Service Commission

VI. MONTHLY RATES - RATE GROUP III (4,001 - 20,000) (Con't)

REC'D JAN 22 1999

B. EAS ADDITIVES

BUSINESS

<u>EXCHANGES</u>	<u>One-Party</u>	<u>Trunk</u>	(RT)
Clinton	\$.30	\$.30	(RT)
Ferrelview	7.30	7.30	(DR)
Fort Leonard Wood	2.30	2.30	(DR)
Maryville	.30	.30	(DR)
St. Robert	4.35	4.35	(DR)
Warrensburg	.25	.25	(DR)

RESIDENCE

<u>EXCHANGES</u>	<u>One-Party</u>	<u>Trunk</u>	(RT)
Clinton	\$.15	\$.15	(RT)
Ferrelview	3.65	3.65	(RT)
Fort Leonard Wood	1.15	1.15	(DR)
Maryville	.15	.15	(DR)
St. Robert	2.15	2.15	(DR)
Warrensburg	.10	.10	(DR)

CANCELLED

MAR 07 2001
By 54 RP13
Public Service Commission
MISSOURI

For description of the EAS additive for each Exchange, see VIII "Extended Area Service" in this section.

Missouri Public
Service Commission

ISSUED:
January 22, 1999

BY: Richard D. Lawson
State Executive, External Affairs
319 Madison
Jefferson City, MO 65101

FILED FEB 22 1999
EFFECTIVE:
February 22, 1999

GENERAL EXCHANGE TARIFF

SPRINT MISSOURI, INC.
d/b/a SPRINT

Third Revised Page 13
Cancels Second Revised Page 13

RECEIVED

LOCAL EXCHANGE SERVICE RATE GROUPS

DEC 17 1997

VI. MONTHLY RATES - RATE GROUP III (4,001 - 20,000) (Con't)

B. EAS ADDITIVES

MISSOURI
Public Service Commission

BUSINESS

<u>EXCHANGES</u>	<u>One-Party</u>	<u>Trunk</u>	<u>Four-Party</u>	<u>Rural Four-Party</u>	
Clinton	\$.30	\$.30	\$.30	\$.30	
Ferrelview	7.30	7.30	7.30	7.30	
Fort Leonard Wood	2.30	2.30	2.30	2.30	
Maryville	.30	.30	.30	.30	
St. Robert	4.35	4.35	4.35	4.35	(CT)
Warrensburg	.25	.25	.25	.25	

RESIDENCE

<u>EXCHANGES</u>	<u>One-Party</u>	<u>Four-Party</u>	<u>Rural Four-Party</u>	<u>Trunk</u>	
Clinton	\$.15	\$.15	\$.15	\$.15	
Ferrelview	3.65	3.65	3.65	3.65	
Fort Leonard Wood	1.15	1.15	1.15	1.15	
Maryville	.15	.15	.15	.15	
St. Robert	2.15	2.15	2.15	2.15	(CT)
Warrensburg	.10	.10	.10	.10	

CANCELLED

FEB 22 1999
By *44RS#13*
Public Service Commission
MISSOURI

For description of the EAS additive for each Exchange, see VIII "Extended Area Service" in this section.

FILED

JAN 16 1998

MO. PUBLIC SERVICE CO:000

EFFECTIVE:

January 16, 1998

ISSUED:

December 17, 1997

BY: John L. Roe

VP - Carrier and Regulatory Services
5454 West 110th Street
Overland Park, Kansas 66211

GENERAL EXCHANGE TARIFF

UNITED TELEPHONE COMPANY
OF MISSOURI d/b/a SPRINT

Second Revised Page 13
Cancels First Revised Page 13

RECEIVED

LOCAL EXCHANGE SERVICE RATE GROUPS

JAN 15 1997

VI. MONTHLY RATES - RATE GROUP III (4,001 - 20,000) (Con't)

B. EAS ADDITIVES

MISSOURI
Public Service Commission

EXCHANGES	BUSINESS			Rural Four- Party	(DR)	(R1)
	One- Party	Trunk	Four- Party			
Clinton	\$.30	\$.30	\$.30	\$.30	(DR)	(R1)
Ferrelview	7.30	7.30	7.30	7.30		
Fort Leonard Wood	2.30	2.30	2.30	2.30		
Maryville	.30	.30	.30	.30		
Warrensburg	.25	.25	.25	.25	(DR)	(R1)

EXCHANGES	RESIDENCE			
	One- Party	Four- Party	Rural Four- Party	Trunk
Clinton	\$.15	\$.15	\$.15	\$.15
Ferrelview	3.65	3.65	3.65	3.65
Fort Leonard Wood	1.15	1.15	1.15	1.15
Maryville	.15	.15	.15	.15
Warrensburg	.10	.10	.10	.10

For description of the EAS additive for each Exchange, see VIII "Extended Area Service" in this section.

CANCELLED

FILED

JAN 16 1998

APR 15 1997

ISSUED:
January 15, 1997

By 3rd RS #13
Public Service Commission
MISSOURI

MO. PUBLIC SERVICE COMMISSION
EFFECTIVE

BY: John
Vice President - Carrier & Regulatory Services
5454 West 110th Street
Overland Park, Kansas 66211

APR 15 1997

UNITED TELEPHONE COMPANY
OF MISSOURI

GENERAL EXCHANGE TARIFF

First Revised Page 13
Cancels Original Page 13

LOCAL EXCHANGE SERVICE RATE GROUPS

VI. MONTHLY RATES - RATE GROUP III (4,001 - 20,000) (Con't)

B. EAS ADDITIVES

RECEIVED

FEB 03 1994

MISSOURI
Public Service Commission

<u>EXCHANGES</u>	<u>BUSINESS</u>				
	<u>One-Party</u>	<u>Trunk</u>	<u>Four-Party</u>	<u>Semi-Pub. Coin</u>	<u>Rural Four-Party</u>
Clinton	\$.30	\$.30	\$.30	\$.30	\$.30
Ferrelview	7.30	7.30	7.30	7.30	7.30
Fort Leonard Wood	2.30	2.30	2.30	2.30	2.30
Maryville	.30	.30	.30	.30	.30
Warrensburg	.25	.25	.25	.25	.25

(MT)
(MT)

<u>EXCHANGES</u>	<u>RESIDENCE</u>			
	<u>One-Party</u>	<u>Four-Party</u>	<u>Rural Four-Party</u>	<u>Trunk</u>
Clinton	\$.15	\$.15	\$.15	\$.15
Ferrelview	3.65	3.65	3.65	3.65
Fort Leonard Wood	1.15	1.15	1.15	1.15
Maryville	.15	.15	.15	.15
Warrensburg	.10	.10	.10	.10

(MT)
(MT)

CANCELLED

APR 15 1997
BY 2nd P.S. 13
Public Service Commission
MISSOURI

For description of the EAS additive for each Exchange, see VIII "Extended Area Service" in this section.

FILED

FEB 21 1994
94 - 237
MISSOURI
Public Service Commission

ISSUED:
February 3, 1994

BY: John L. Roe
Vice President - Administration
5454 West 110th Street
Overland Park, Kansas 66211

EFFECTIVE:
~~March 5, 1994~~
FEB 21 1994

GENERAL EXCHANGE TARIFF

UNITED TELEPHONE COMPANY
OF MISSOURI

Original Page 13

LOCAL EXCHANGE SERVICE RATE GROUPS

VI. MONTHLY RATES - RATE GROUP III (4,001 - 20,000) (Con't)

SEP 17 1992

B. EAS ADDITIVES

<u>EXCHANGES</u>	<u>BUSINESS</u>				
	<u>One-Party</u>	<u>Trunk</u>	<u>Four-Party</u>	<u>Semi-Pub. Coin</u>	<u>Rural Four-Party</u>
Clinton	\$.30	\$.30	\$.30	\$.30	\$.30
Maryville	.30	.30	.30	.30	.30
Warrensburg	.25	.25	.25	.25	.25

<u>EXCHANGES</u>	<u>RESIDENCE</u>			
	<u>One-Party</u>	<u>Four-Party</u>	<u>Rural Four-Party</u>	<u>Trunk</u>
Clinton	\$.15	\$.15	\$.15	\$.15
Maryville	.15	.15	.15	.15
Warrensburg	.10	.10	.10	.10

CANCELLED

FEB 21 1994
BY *let R.S. #13*
Public Service Commission
MISSOURI

For description of the EAS additive for each Exchange, see VIII "Extended Area Service" in this section.

FILED

NOV 7 1992

MO. PUBLIC SERVICE COMM.

EFFECTIVE:

~~October 17, 1992~~

NOV 7 1992

ISSUED:
September 17, 1992

BY: John L. Roe
Vice President - Administration
5454 West 110th Street
Overland Park, Kansas 66211

GENERAL EXCHANGE TARIFF

Embarq Missouri, Inc.
d/b/a **CenturyLink**

Tenth Revised Page 14
Cancels Ninth Revised Page 14

(C)

LOCAL EXCHANGE SERVICE

VI. LIFELINE (LOW-INCOME) PROGRAM

(M)(C)

A. GENERAL REGULATIONS

1. Lifeline service is a discounted voice telephony service available to qualifying residential subscribers.
2. The monthly discount will be the maximum amount allowed by the Missouri Public Service Commission and the Federal Communications Commission; however, this discount will not exceed the sum of the federal subscriber line charge and the recurring charges for voice telephony service. The monthly discount will be the same for Lifeline customers solely subscribing to voice telephony service and for Lifeline customers subscribing to a bundle of services.
3. A Lifeline subscriber's voice telephony service will not be disconnected for non-payment of charges unless the subscriber fails to pay charges directly related to voice telephony service.
4. Lifeline service is available with optional toll blocking or toll limitation service restricting access to 1+, 0+ and 0- dialed calls at no charge.
5. A household is limited to one discount. A Lifeline subscriber cannot receive additional discounts for Lifeline service from another provider or through the Missouri Disabled program.

(M)(C)

(M) Material now found on this page previously appeared on Sixth Revised Page 13, Fourth Revised Page 14, Second Revised Page 15 and First Revised Page 15.1 of Section 18.

ISSUED:
May 2, 2012

BY: Darlene N. Terry
Manager - Tariffs
5454 W. 110th Street
Overland Park, Kansas 66211

EFFECTIVE:
June 1, 2012

P.S.C. MO.-No. 22 Section 16

GENERAL EXCHANGE TARIFF

**Embarq Missouri, Inc.
d/b/a Embarq**

Ninth Revised Page 14 (C)
Cancels Eighth Revised Page 14 (C)

LOCAL EXCHANGE **SERVICE**

(C)

Reserved for Future Filing

ISSUED:
January 20, 2009

BY: Darlene N. Terry
Manager - Tariffs
5454 W. 110th Street
Overland Park, Kansas 66211

EFFECTIVE:
February 1, 2009

CANCELLED
June 1, 2012
Missouri Public
Service Commission
JI-2012-0684

FILED
Missouri Public
Service Commission
JI-2009-0528

P.S.C. MO.-No. 22 Section 16
GENERAL EXCHANGE TARIFF

SPRINT MISSOURI, INC.
d/b/a SPRINT

Eighth Revised Page 14
Cancels Seventh Revised Page 14

LOCAL EXCHANGE SERVICE RATE GROUPS

Reserved for Future Filing

(RT)

(RT)

ISSUED:
December 27, 2001

BY: Richard D. Lawson
State Executive, External Affairs
319 Madison
Jefferson City, MO 65101

EFFECTIVE:
January 26, 2002

CANCELLED
February 1, 2009
Missouri Public
Service Commission
JI-2009-0528

Filed
Missouri Public
Service Commission

GENERAL EXCHANGE TARIFF

SPRINT MISSOURI, INC.
d/b/a SPRINT

Seventh Revised Page 14
Cancels Sixth Revised Page 14

Missouri Public

LOCAL EXCHANGE SERVICE RATE GROUPS

REC'D AUG 17 2001

VII. MONTHLY RATES - RATE GROUP IV (20,001 - 35,000)

All monthly local exchange rates include Touch Tone Service. Service Commission (AT)

A. Local Exchange Service Rates shown below apply to the following exchanges:

Jefferson City*
Rolla

Business

One-Party	\$18.86
Trunk	29.13

Residence

One-Party	10.82
Trunk	15.05

CANCELLED

JAN 26 2002
By *SHRP 14*
Public Service Commission
MISSOURI

* EAS additives for these exchanges are found on the sheets immediately following.

Missouri Public

FILED SEP 17 2001

Service Commission

ISSUED:
August 17, 2001

BY: Richard D. Lawson
State Executive, External Affairs
319 Madison
Jefferson City, MO 65101

EFFECTIVE:
September 17, 2001

GENERAL EXCHANGE TARIFF

SPRINT MISSOURI, INC.
d/b/a SPRINT

Sixth Revised Page 14
Cancels Fifth Revised Page 14

LOCAL EXCHANGE SERVICE RATE GROUPS

VII. MONTHLY RATES - RATE GROUP IV (20,001 - 35,000)

A. Local Exchange Service Rates shown below apply to the following exchanges:

Jefferson City*
Rolla

Business

One-Party \$18.86
Trunk 29.13

Residence

One-Party 10.82
Trunk 15.05

RECEIVED

JAN 31 2001

(CR)
(NR)

MISSOURI
Public Service Commission

CANCELLED

SEP 17 2001
By *JHR* #14
Public Service Commission
MISSOURI

* EAS additives for these exchanges are found on the sheets immediately following.

FILED

(DT)

MAR 07 2001

MISSOURI
Public Service Commission

ISSUED:
January 31, 2001

BY: Richard D. Lawson
State Executive, External Affairs
319 Madison
Jefferson City, MO 65101

EFFECTIVE:

~~MAR 07 2001~~

MAR 07 2001

P.S.C. MO.-No. 22 Section 16
GENERAL EXCHANGE TARIFF

SPRINT MISSOURI, INC.
d/b/a SPRINT

Fifth Revised Page 14
Cancels Fourth Revised Page 14

Missouri Public
Service Commission

LOCAL EXCHANGE SERVICE RATE GROUPS

REC'D OCT 27 2000

VII. MONTHLY RATES - RATE GROUP IV (20,001 - 35,000)

A. Local Exchange Service Rates shown below apply to the following exchanges:

Jefferson City*(1)

(DT)
|
(DT)

Business

One-Party \$18.86
Trunk 29.13

(CR)(DR)
(CR)(DR)

Residence

One-Party 10.82
Trunk 15.05

(CR)(DR)
(CR)(DR)

CANCELLED

MAR 07 2001
6th RPI4
By
Public Service Commission
MISSOURI

* EAS additives for these exchanges are found on the sheets immediately following.

(1) Denotes an exchange that is exclusively one-party.

(DT)
(DT)

Missouri Public
Service Commission

FILED DEC 11 2000

ISSUED:
October 27, 2000

BY: Richard D. Lawson
State Executive, External Affairs
319 Madison
Jefferson City, MO 65101

EFFECTIVE:
December 11, 2000

GENERAL EXCHANGE TARIFF

SPRINT MISSOURI, INC.
d/b/a SPRINT

Fourth Revised Page 14
Cancels Third Revised Page 14

Missouri Public
Service Commission

LOCAL EXCHANGE SERVICE RATE GROUPS

RECD OCT 27 1999

VII. MONTHLY RATES - RATE GROUP IV (20,001 - 35,000)

A. Local Exchange Service Rates shown below apply to the following exchanges:

Jefferson City*(1)

	Inside Initial Rate Area	Outside Initial Rate Area - Within Zones			
		<u>1</u>	<u>2</u>	<u>3</u>	<u>4</u>
<u>Business</u>					
One-Party	\$15.25	\$17.60	\$19.90	\$22.25	\$24.55
Trunk	27.05	29.40	31.70	34.05	36.35 (CR)
<u>Residence</u>					
One-Party	7.62	9.97	12.27	14.62	16.92
Trunk	13.45	15.80	18.10	20.45	22.75 (CR)

CANCELLED

DEC 11 2000

By *5th RP 14*
Public Service Commission
MISSOURI

*EAS additives for these exchanges are found on the sheets immediately following.

(1) Denotes an exchange that is exclusively one-party. Only Zone 1 mileage charges of \$2.35 are applicable outside the initial rate area. (See Section 17 for complete schedule of rates.)

Missouri Public
Service Commission

FILED NOV 26 1999

ISSUED:
October 27, 1999

BY: Richard D. Lawson
State Executive, External Affairs
319 Madison
Jefferson City, MO 65101

EFFECTIVE:
November 26, 1999

GENERAL EXCHANGE TARIFF

SPRINT MISSOURI, INC.
d/b/a SPRINT

Third Revised Page 14
Cancels Second Revised Page 14

**Missouri Public
Service Commission**

LOCAL EXCHANGE SERVICE RATE GROUPS

VII. MONTHLY RATES - RATE GROUP IV (20,001 - 35,000)

REC'D JAN 22 1999

A. Local Exchange Service Rates shown below apply to the following exchanges:

Jefferson City*(1)

(CT)

	Inside Initial Rate Area	Outside Initial Rate Area - Within Zones			
		<u>1</u>	<u>2</u>	<u>3</u>	<u>4</u>
<u>Business</u>					
One-Party	\$15.25	\$17.60	\$19.90	\$22.25	\$24.55
Trunk	25.05	27.40	29.70	32.05	34.35
					(RT) (DR)
<u>Residence</u>					
One-Party	7.62	9.97	12.27	14.62	16.92
Trunk	12.47	14.82	17.12	19.47	21.77
					(RT) (DR)

CANCELLED

NOV 26 1999
By *44RS#14*
Public Service Commission
MISSOURI

*EAS additives for these exchanges are found on the sheets immediately following.

(1) Denotes an exchange that is exclusively one-party. Only Zone 1 (N) mileage charges of \$2.35 are applicable outside the initial rate area. (See Section 17 for complete schedule of rates.)

**Missouri Public
Service Commission**

FILED FEB 22 1999

ISSUED:
January 22, 1999

BY: Richard D. Lawson
State Executive, External Affairs
319 Madison
Jefferson City, MO 65101

EFFECTIVE:
February 22, 1999

GENERAL EXCHANGE TARIFF

UNITED TELEPHONE COMPANY
OF MISSOURI d/b/a SPRINT

Second Revised Page 14
Cancels First Revised Page 14

RECEIVED

LOCAL EXCHANGE SERVICE RATE GROUPS

JAN 15 1997

VII. MONTHLY RATES - RATE GROUP IV (20,001 - 35,000)

A. Local Exchange Service Rates shown below for the following exchanges:

Jefferson City*

	<u>Inside Initial Rate Area</u>	<u>Outside Initial Rate Area - Within Zones</u>			
		<u>1</u>	<u>2</u>	<u>3</u>	<u>4</u>
<u>Business</u>					
One-Party	\$15.25	\$17.60	\$19.90	\$22.25	\$24.55
Trunk	25.05	27.40	29.70	32.05	34.35
Four-Party	10.25	17.10	17.10	17.10	17.10
<u>Residence</u>					
One-Party	7.62	9.97	12.27	14.62	16.92
Four-Party	5.12	8.47	8.47	8.47	8.47
Trunk	12.47	14.82	17.12	19.47	21.77

(DR) (R1)

CANCELLED

FEB 22 1999
By *3rd RS #H*
Public Service Commission
MISSOURI

*EAS additives for these exchanges are found on the sheets immediately following.

FILED

APR 15 1997

MO. PUBLIC SERVICE COMMISSION

ISSUED:
January 15, 1997

BY: John L. Roe
Vice President - Carrier & Regulatory Services
5454 West 110th Street
Overland Park, Kansas 66211

EFFECTIVE:

APR 15 1997

UNITED TELEPHONE COMPANY
OF MISSOURI

GENERAL EXCHANGE TARIFF

RECEIVED
First Revised Page 14
Cancels Original Page 14
NOV 9 1993

LOCAL EXCHANGE SERVICE RATE GROUPS

MO. PUBLIC SERVICE COMM.

VII. MONTHLY RATES - RATE GROUP IV (20,001 - 35,000)

A. Local Exchange Service Rates shown below apply to the following exchanges:

Jefferson City*

	<u>Inside Initial Rate Area</u>	<u>Outside Initial Rate Area - Within Zones</u>				
		<u>1</u>	<u>2</u>	<u>3</u>	<u>4</u>	
<u>Business</u>						
One-Party	\$15.25	\$17.60	\$19.90	\$22.25	\$24.55	(CR)
Trunk	25.05	27.40	29.70	32.05	34.35	
Four-Party	10.25	17.10	17.10	17.10	17.10	(CT)
Semi-Public Coin	15.25	17.60	19.90	22.25	24.55	
<u>Residence</u>						
One-Party	7.62	9.97	12.27	14.62	16.92	
Four-Party	5.12	8.47	8.47	8.47	8.47	
Trunk	12.47	14.82	17.12	19.47	21.77	(CR)

CANCELLED

APR 15 1997
BY *2nd R.S #14*
Public Service Commission
MISSOURI

* EAS additives for these exchanges are found on the sheets immediately following.

(RT)
|
(RT)

FILED

NOV 7 1993
93 7 187
MO. PUBLIC SERVICE COMM.

ISSUED:
November 3, 1993

BY: John L. Roe
Vice President - Administration
5454 West 110th Street
Overland Park, Kansas 66211

EFFECTIVE:
November 7, 1993

GENERAL EXCHANGE TARIFF

UNITED TELEPHONE COMPANY
OF MISSOURI

Original Page 14

RECEIVED

LOCAL EXCHANGE SERVICE RATE GROUPS

SEP 17 1992

VII. MONTHLY RATES - RATE GROUP IV (20,001 - 35,000)

A. Local Exchange Service Rates shown below apply to the following exchanges:

Jefferson City*

	<u>Inside Initial Rate Area</u>	<u>Outside Initial Rate Area - Within Zones</u>			
		<u>1</u>	<u>2</u>	<u>3</u>	<u>4</u>
<u>Business</u>					
One-Party	\$11.40	\$13.75	\$16.05	\$18.40	\$20.70
Trunk	19.95	22.30	24.60	26.95	29.25
Four-Party	8.00**	14.85	14.85	14.85	14.85
Semi-Public Coin	11.40	13.75	16.05	18.40	20.70
<u>Residence</u>					
One-Party	5.70	8.05	10.35	12.70	15.00
Four-Party	4.00	7.35	7.35	7.35	7.35
Trunk	9.95	12.30	14.60	16.95	19.25

CANCELLED

NOV 7 1992
BY John L. Roe #14
Public Service Commission
MISSOURI

* EAS additives for these exchanges are found on the sheets immediately following.

** Business four-party service within the initial rate area is not available to new applicants. Service to existing customers will be upgraded to one-party service as facilities become available.

FILED

NOV 7 1992

MO. PUBLIC SERVICE COMM.

ISSUED:
September 17, 1992

BY: John L. Roe
Vice President - Administration
5454 West 110th Street
Overland Park, Kansas 66211

EFFECTIVE:
~~October 17, 1992~~
NOV 7 1992

GENERAL EXCHANGE TARIFF

Embarq Missouri, Inc.
d/b/a **CenturyLink**

Fifth Revised Page 15
Cancels Fourth Revised Page 15

(C)

LOCAL EXCHANGE SERVICE

VI. LIFELINE (LOW-INCOME) PROGRAM (Cont'd)

(M)(C)

B. ELIGIBILITY and SUBSCRIBER REQUIREMENTS

1. An applicant must submit a completed application form along with proof of meeting one of the following eligibility criteria:
 - a. Missouri HealthNet (Medicaid)
 - b. Food Stamps
 - c. Supplemental Security Income (SSI)
 - d. Federal public housing assistance (Section 8)
 - e. Low Income Home Energy Assistance Program
 - f. Temporary Assistance for Needy Families
 - g. National School Free Lunch Program;
 - h. The customer's income, as defined in 47 CFR Section 54.400(f), is at or below 135% of the Federal Poverty Guidelines.
2. A Lifeline subscriber must agree to notify the Company within 30 days if:
 - a. The subscriber's household receives multiple discounts through either the Lifeline program and/or the Missouri Disabled program.
 - b. The subscriber fails to meet eligibility criteria.
3. A Lifeline subscriber agrees to respond in a timely manner to annual requests to verify continued eligibility.
4. False statements made by a Lifeline subscriber or failure to comply with Lifeline service subscriber obligations will result in de-enrollment from the program.
5. The Lifeline subscriber's address must be the subscriber's permanent address. If the Lifeline subscriber's address is temporary then the subscriber must verify the subscriber's address every 90 days.

(M)(C)

(M) Material now found on this page previously appeared on Sixth Revised Page 13, Fourth Revised Page 14, Second Revised Page 15 and First Revised Page 15.1 of Section 18.

ISSUED:
May 2, 2012

BY: Darlene N. Terry
Manager - Tariffs
5454 W. 110th Street
Overland Park, Kansas 66211

EFFECTIVE:
June 1, 2012

P.S.C. MO.-No. 22 Section 16

GENERAL EXCHANGE TARIFF

**Embarq Missouri, Inc.
d/b/a Embarq**

Fourth Revised Page 15 (C)
Cancels Third Revised Page 15 (C)

LOCAL EXCHANGE **SERVICE**

(C)

Reserved for Future Filing

ISSUED:
January 20, 2009

BY: Darlene N. Terry
Manager - Tariffs
5454 W. 110th Street
Overland Park, Kansas 66211

EFFECTIVE:
February 1, 2009

CANCELLED
June 1, 2012
Missouri Public
Service Commission
JI-2012-0684

FILED
Missouri Public
Service Commission
JI-2009-0528

P.S.C. MO.-No. 22 Section 16
GENERAL EXCHANGE TARIFF

SPRINT MISSOURI, INC.
d/b/a SPRINT

Third Revised Page 15
Cancels Second Revised Page 15

LOCAL EXCHANGE SERVICE RATE GROUPS

Reserved for Future Filing

(RT)

(RT)

(MT)

(MT)

(MT)

(MT)

(RT)

ISSUED:
December 27, 2001

BY: Richard D. Lawson
State Executive, External Affairs
319 Madison
Jefferson City, MO 65101

EFFECTIVE:
January 26, 2002

CANCELLED
February 1, 2009
Missouri Public
Service Commission
JI-2009-0528

Filed
Missouri Public
Service Commission

GENERAL EXCHANGE TARIFF

SPRINT MISSOURI, INC.
d/b/a SPRINT

Second Revised Page 15
Cancels First Revised Page 15

LOCAL EXCHANGE SERVICE RATE GROUPS

Missouri Public
Service Commission

VII. MONTHLY RATES - RATE GROUP IV (20,001 - 35,000) (Con't) **RECD JAN 22 1999**

B. EAS ADDITIVES

BUSINESS

<u>EXCHANGES</u>	One- Party	Trunk	(RT) (RT)
Jefferson City	\$2.30	\$2.30	(DR)

RESIDENCE

<u>EXCHANGES</u>	One- Party	Trunk	(RT) (RT)
Jefferson City	\$1.15	\$1.15	(DR)

CANCELLED

JAN 26 2002
1/3rd RP 15
Public Service Commission
MISSOURI

For description of the EAS additive for each Exchange, see VIII "Extended Area Service" in this section.

Missouri Public
Service Commission

FILED FEB 22 1999

ISSUED:
January 22, 1999

BY: Richard D. Lawson
State Executive, External Affairs
319 Madison
Jefferson City, MO 65101

EFFECTIVE:
February 22, 1999

GENERAL EXCHANGE TARIFF

UNITED TELEPHONE COMPANY
OF MISSOURI d/b/a SPRINT

First Revised Page 15
Cancels Original Page 15

RECEIVED

LOCAL EXCHANGE SERVICE RATE GROUPS

JAN 15 1997

VII. MONTHLY RATES - RATE GROUP IV (20,001 - 35,000) (Con't)

B. EAS ADDITIVES

MISSOURI
Public Service Commission

<u>EXCHANGES</u>	<u>BUSINESS</u>		Rural Four- Party	(R1)
	<u>One- Party</u>	<u>Trunk</u>		
Jefferson City	\$2.30	\$2.30	\$2.30	(DR) (R1)

<u>EXCHANGES</u>	<u>RESIDENCE</u>			
	<u>One- Party</u>	<u>Four- Party</u>	Rural Four- Party	<u>Trunk</u>
Jefferson City	\$1.15	\$1.15	\$1.15	\$1.15

CANCELLED

FEB 22 1999
By *JRS #15*
Public Service Commission
MISSOURI

For description of the EAS additive for each Exchange, see VIII "Extended Area Service" in this section.

FILED

APR 15 1997

ISSUED:
January 15, 1997

BY: John L. Roe
Vice President - Carrier & Regulatory Services
5454 West 110th Street
Overland Park, Kansas 66211

MO. PUBLIC SERVICE COMMISSION
APR 15 1997

GENERAL EXCHANGE TARIFF

UNITED TELEPHONE COMPANY
OF MISSOURI

Original Page 15

LOCAL EXCHANGE SERVICE RATE GROUPS

RECEIVED

VII. MONTHLY RATES - RATE GROUP IV (20,001 - 35,000) (Con't)

SEP 17 1992

B. EAS ADDITIVES

Public Service Commission

<u>EXCHANGES</u>	<u>BUSINESS</u>			
	<u>One-Party</u>	<u>Trunk</u>	<u>Semi-Pub. Coin</u>	<u>Rural Four-Party</u>
Jefferson City	\$2.30	\$2.30	\$2.30	\$2.30

<u>EXCHANGES</u>	<u>RESIDENCE</u>			
	<u>One-Party</u>	<u>Four-Party</u>	<u>Rural Four-Party</u>	<u>Trunk</u>
Jefferson City	\$1.15	\$1.15	\$1.15	\$1.15

CANCELLED

APR 15 1997
BY let R.S. # 15
Public Service Commission
MISSOURI

For description of the EAS additive for each Exchange, see VIII "Extended Area Service" in this section.

FILED

NOV 7 1992

MO. PUBLIC SERVICE COMM.

ISSUED:
September 17, 1992

BY: John L. Roe
Vice President - Administration
5454 West 110th Street
Overland Park, Kansas 66211

EFFECTIVE:
~~October 17, 1992~~
NOV 7 1992

GENERAL EXCHANGE TARIFF

Embarq Missouri, Inc.
d/b/a **CenturyLink**

Sixth Revised Page 16
Cancels Fifth Revised Page 16

(C)

LOCAL EXCHANGE SERVICE

VII. MISSOURI DISABLED PROGRAM

(M)(C)

A. GENERAL REGULATIONS

1. **The Missouri Disabled program offers a \$3.50 discount for voice telephony service to qualifying residential subscribers.**
2. **A household is limited to one discount. A subscriber cannot receive additional discounts from the Missouri Disabled program or through the Lifeline program.**

B. ELIGIBILITY and SUBSCRIBER REQUIREMENTS

1. **An applicant must submit a completed application form along with proof of meeting one of the following eligibility criteria:**
 - a. **Federal Social Security Disability benefits.**
 - b. **Federal Supplemental Security income.**
 - c. **Veterans Administration Disability benefits.**
 - d. **State blind pension pursuant to Section 209.010 to 209.160 RSMo**
 - e. **State aid to blind persons pursuant to Section 209.240 RSMo**
 - f. **State supplemental payments pursuant to Section 208.030, RSMo Section 660.100.2 RSMo 2000.**
2. **A subscriber with the Missouri Disabled Program must agree to notify the Company within 30 days if:**
 - a. **The subscriber's household receives multiple discounts from the Missouri Disabled Program and/or Lifeline program.**
 - b. **The subscriber fails to meet eligibility criteria.**
3. **A subscriber to the Missouri Disabled Program agrees to respond in a timely manner to annual requests to verify continued eligibility.**
4. **False statements made by a subscriber or failure to comply with subscriber obligations will result in de-enrollment from the program**

(M)(C)

(M) Material now found on this page previously appeared on Sixth Revised Page 13, Fourth Revised Page 14, Second Revised Page 15 and First Revised Page 15.1 of Section 18.

ISSUED:
May 2, 2012

BY: Darlene N. Terry
Manager - Tariffs
5454 W. 110th Street
Overland Park, Kansas 66211

EFFECTIVE:
June 1, 2012

GENERAL EXCHANGE TARIFF

**Embarq Missouri, Inc.
d/b/a Embarq**

Fifth Revised Page 16 (C)
Cancels Fourth Revised Page 16 (C)

LOCAL EXCHANGE **SERVICE**

(C)

Reserved for Future Filing

(M)
(N)

(M)

(M) Material previously found on this page now appears on Twentieth Revised Page 4.

ISSUED:
January 20, 2009

BY: Darlene N. Terry
Manager - Tariffs
5454 W. 110th Street
Overland Park, Kansas 66211

EFFECTIVE:
February 1, 2009

CANCELLED
June 1, 2012
Missouri Public
Service Commission
JI-2012-0684

FILED
Missouri Public
Service Commission
JI-2009-0528

GENERAL EXCHANGE TARIFF

SPRINT MISSOURI, INC.
d/b/a SPRINT

Fourth Revised Page 16
Cancels Third Revised Page 16

LOCAL EXCHANGE SERVICE RATE GROUPS

V. EXTENDED AREA SERVICE

An arrangement whereby customers in one exchange can call customers in another exchange at the Local Exchange Service Rate.

Extended Area Service is provided between the following exchanges.

<u>FROM</u>	<u>TO</u>
Brazito	Centertown, Eugene, Jefferson City, New Bloomfield, Russellville, St. Thomas, and Taos
Centertown	(same as Brazito)
Centerview	Warrensburg
Clinton	Coal
Coal	Clinton
Cole Camp	Ionia
Eugene	(same as Brazito)
Ferrelview	Kansas City Metro Area (SWB), Platte City, Smithville (SWB) (N)
Fort Leonard Wood	St. Robert, Waynesville
Holden	Kingsville
Ionia	Cole Camp
Jefferson City	(same as Brazito)
Kingsville	Holden
Lake Lotawana	Lee's Summit (SWB), Blue Springs (SWB)
Maryville	Pickering

ISSUED:
April 13, 2004

BY: Richard D. Lawson
State Executive, External Affairs
319 Madison
Jefferson City, MO 65101

EFFECTIVE:
May 13, 2004

CANCELLED
February 1, 2009
Missouri Public
Service Commission
JI-2009-0528

Filed
Missouri Public
Service Commission

REC'D DEC 27 2001

SPRINT MISSOURI, INC.
d/b/a SPRINT

Third Revised Page 16
Cancels Second Revised Page 16

LOCAL EXCHANGE SERVICE RATE GROUPS

V. EXTENDED AREA SERVICE

(CT)

An arrangement whereby customers in one exchange can call customers in another exchange at the Local Exchange Service Rate.

Extended Area Service is provided between the following exchanges.

<u>FROM</u>	<u>TO</u>
Brazito	Centertown, Eugene, Jefferson City, New Bloomfield, Russellville, St. Thomas, and Taos
Centertown	(same as Brazito)
Centerview	Warrensburg
Clinton	Coal
Coal	Clinton
Cole Camp	Ionia
Eugene	(same as Brazito)
Ferrelview	Kansas City Metro Area (SWB), Platte City
Fort Leonard Wood	St. Robert, Waynesville
Holden	Kingsville
Ionia	Cole Camp
Jefferson City	(same as Brazito)
Kingsville	Holden
Lake Lotawana	Lee's Summit (SWB), Blue Springs (SWB)
Maryville	Pickering

CANCELLED

MAY 13 2004
by 448RS/16
Public Service Commission
MISSOURI

ISSUED:
December 27, 2001

BY: Richard D. Lawson
State Executive, External Affairs
319 Madison
Jefferson City, MO 65101

EFFECTIVE:
January 26, 2002

Missouri Public

FILED JAN 26 2002

Service Commission

GENERAL EXCHANGE TARIFF

SPRINT MISSOURI, INC.
d/b/a SPRINT

Second Revised Page 16
Cancels First Revised Page 16

LOCAL EXCHANGE SERVICE RATE GROUPS

Missouri Public

VIII. EXTENDED AREA SERVICE

An arrangement whereby customers in one **exchange can** call customers in another **exchange** ^{RECD AUG 17 2001} _(CT)
at the Local Exchange Service Rate. _(CT)

Extended Area Service is provided between the following **exchanges**. ^{Service Commission} _(CT)

<u>FROM</u>	<u>TO</u>
Brazito	Centertown, Eugene, Jefferson City, New Bloomfield, Russellville, St. Thomas, and Taos
Centertown	(same as Brazito)
Centerview	Warrensburg
Clinton	Coal
Coal	Clinton
Cole Camp	Ionia
Eugene	(same as Brazito)
Ferrelview	Kansas City Metro Area (SWB), Platte City
Fort Leonard Wood	St. Robert, Waynesville
Holden	Kingsville
Ionia	Cole Camp
Jefferson City	(same as Brazito)
Kingsville	Holden
Lake Lotawana	Lee's Summit (SWB), Blue Springs (SWB)
Maryville	Pickering

CANCELLED

JAN 26 2002
by 3rd RPK
Public Service Commission
MISSOURI

Missouri Public

FILED SEP 17 2001

Service Commission

ISSUED:
August 17, 2001

BY: Richard D. Lawson
State Executive, External Affairs
319 Madison
Jefferson City, MO 65101

EFFECTIVE:
September 17, 2001

GENERAL EXCHANGE TARIFF

UNITED TELEPHONE COMPANY
OF MISSOURI

First Revised Page 16
Cancels Original Page 16

LOCAL EXCHANGE SERVICE RATE GROUPS

VIII. EXTENDED AREA SERVICE

An arrangement whereby customers in one Exchange or Zone can call customers in another Exchange or Zone at the Local Exchange Rate.

RECEIVED

Extended Area Service is provided between the following Exchanges Zones. **SEP 15 1994**

<u>FROM</u>	<u>TO</u>	MO. PUBLIC SERVICE COMM.
Brazito	Centertown, Eugene, Jefferson City, New Bloomfield, Russellville, St. Thomas, and Taos	
Centertown	(same as Brazito)	
Centerview	Warrensburg	
Clinton	Coal	
Coal	Clinton	
Cole Camp	Ionia	
Eugene	(same as Brazito)	
Ferrelview	Kansas City Metro Area (SWB), Platte City	
Fort Leonard Wood	St. Robert, Waynesville	
Holden	Kingsville	
Ionia	Cole Camp	
Jefferson City	(same as Brazito)	
Kingsville	Holden	
Lake Lotawana	Lee's Summit (SWB), Blue Springs (SWB)	
Maryville	Pickering	

CANCELLED

SEP 17 2001
By *2nd RP #16*
Public Service Commission
MISSOURI

(RT)

FILED

AUG 19 1994
95 - 38
MO. PUBLIC SERVICE COMM.
(RT)

ISSUED:
July 15, 1994

BY: John L. Roe
Vice President - Administration
5454 West 110th Street
Overland Park, Kansas 66211

EFFECTIVE:
August 19, 1994

UNITED TELEPHONE COMPANY
OF MISSOURI

GENERAL EXCHANGE TARIFF

Original Page 16

SEP 17 1992

LOCAL EXCHANGE SERVICE RATE GROUPS

VIII. EXTENDED AREA SERVICE

An arrangement whereby customers in one Exchange or Zone can call customers in another Exchange or Zone at the Local Exchange Service Rate.

Extended Area Service is provided between the following Exchanges or Zones.

<u>FROM</u>	<u>TO</u>
Brazito	Centertown, Eugene, Jefferson City, New Bloomfield, Russellville, St. Thomas, and Taos
Centertown	(same as Brazito)
Centerview	Warrensburg
Clinton	Coal
Coal	Clinton
Cole Camp	Ionia
Eugene	(same as Brazito)
Ferrelview	Kansas City Metro Area (SWB), Platte City
Fort Leonard Wood	St. Robert, Waynesville
Holden	Kingsville
Ionia	Cole Camp
Jefferson City	(same as Brazito)
Kingsville	Holden
Lake Lotawana	Lee's Summit (SWB), Blue Springs (SWB)
Lake Lotawana*	Kansas City Metro Area (SWB)
Maryville	Pickering

CANCELLED

AUG 19 1994

BY 124 R.P. 16
Public Service Commission
MISSOURI

* See X. "Optional Extended Area Service" in this Section.

FILED

NOV 7 1992

MO. PUBLIC SERVICE COMM.

ISSUED:
September 17, 1992

BY: John L. Roe
Vice President - Administration
5454 West 110th Street
Overland Park, Kansas 66211

EFFECTIVE:

~~October 17, 1992~~

NOV 7 1992

GENERAL EXCHANGE TARIFF

Embarq Missouri, Inc.
d/b/a **CenturyLink**

Sixth Revised Page 17
Cancels Fifth Revised Page 17 (C)

LOCAL EXCHANGE SERVICE

VIII. MISSOURI UNIVERSAL SERVICE FUND

Beginning May 1, 2005, the Telephone Company will assess a surcharge to support low income/disabled universal services in Missouri. This surcharge, equal to the Missouri Universal Service Fund (USF) percentage assessment ordered by the commission, will be a percentage of the regulated customer's retail revenues that meet the definition of net jurisdictional revenues at 4 CSR 240-31.010(12). The surcharge will appear as a separate line item detailed as "Missouri Universal Service Fund". The surcharge will not be assessed on Lifeline, coin, wireless or resold accounts, or on unregulated services including, but not limited to, maintenance and inside wiring charges.

(M) (T)
|
(M)

(M) Material now found on this page previously appeared on First Revised Page 15.1 of Section 18.

ISSUED:
May 2, 2012

BY: Darlene N. Terry
Manager - Tariffs
5454 W. 110th Street
Overland Park, Kansas 66211

EFFECTIVE:
June 1, 2012

Filed
Missouri Public
Service Commission
JI-2012-0684

GENERAL EXCHANGE TARIFF

**Embarq Missouri, Inc.
d/b/a Embarq**

Fifth Revised Page 17 (C)
Cancels Fourth Revised Page 17 (C)

LOCAL EXCHANGE **SERVICE**

(C)

Reserved for Future Filing

(M)
(N)

(M)

(M) Material previously found on this page now appears on Second Revised Page 4.1.

ISSUED:
January 20, 2009

BY: Darlene N. Terry
Manager - Tariffs
5454 W. 110th Street
Overland Park, Kansas 66211

EFFECTIVE:
February 1, 2009

CANCELLED
June 1, 2012
Missouri Public
Service Commission
JI-2012-0684

FILED
Missouri Public
Service Commission
JI-2009-0528

P.S.C. MO.-No. 22 Section 16
GENERAL EXCHANGE TARIFF

SPRINT MISSOURI, INC.
d/b/a SPRINT

Fourth Revised Page 17
Cancels Third Revised Page 17

LOCAL EXCHANGE SERVICE RATE GROUPS

V. EXTENDED AREA SERVICE (Cont'd)

(CT)

Extended Area Service is provided between the following exchanges.

<u>FROM</u>	<u>TO</u>
New Bloomfield	(same as Brazito)
Norborne	Stet (Green Hills Telephone)
Pickering	Maryville
Platte City	Ferrelview
Russellville	(same as Brazito)
St. Robert	Ft. Leonard Wood, Waynesville
St. Thomas	(same as Brazito)
Taos	(same as Brazito)
Warrensburg	Centerview
Waynesville	Ft. Leonard Wood, St. Robert

ISSUED:
December 27, 2001

BY: Richard D. Lawson
State Executive, External Affairs
319 Madison
Jefferson City, MO 65101

EFFECTIVE:
January 26, 2002

CANCELLED
February 1, 2009
Missouri Public
Service Commission
JI-2009-0528

Filed
Missouri Public
Service Commission

GENERAL EXCHANGE TARIFF

SPRINT MISSOURI, INC.
d/b/a SPRINT

Third Revised Page 17
Cancels Second Revised Page 17

LOCAL EXCHANGE SERVICE RATE GROUPS

Missouri Public

VIII. EXTENDED AREA SERVICE (Cont'd)

REC'D AUG 17 2001

Extended Area Service is provided between the following *exchanges*.

(CT)
Service Commission

<u>FROM</u>	<u>TO</u>
New Bloomfield	(same as Brazito)
Norborne	Stet (Green Hills Telephone)
Pickering	Maryville
Platte City	Ferrelview
Russellville	(same as Brazito)
St. Robert	Ft. Leonard Wood, Waynesville
St. Thomas	(same as Brazito)
Taos	(same as Brazito)
Warrensburg	Centerview
Waynesville	Ft. Leonard Wood, St. Robert

CANCELLED

JAN 26 2002
by 444RP17
Public Service Commission
MISSOURI

Missouri Public

FILED SEP 17 2001

Service Commission

ISSUED:
August 17, 2001

BY: Richard D. Lawson
State Executive, External Affairs
319 Madison
Jefferson City, MO 65101

EFFECTIVE:
September 17, 2001

P.S.C. MO.-No. 22 Section 16
GENERAL EXCHANGE TARIFF

SPRINT MISSOURI, INC.
d/b/a SPRINT

Second Revised Page 17
Cancels First Revised Page 17

LOCAL EXCHANGE SERVICE RATE GROUPS

RECEIVED

VIII. EXTENDED AREA SERVICE (Cont'd)

Extended Area Service is provided between the following Exchanges or Zones. **JAN 16 2001**

<u>FROM</u>	<u>TO</u>
New Bloomfield	(same as Brazito)
Norborne	Stet (Green Hills Telephone)
Pickering	Maryville
Platte City	Ferrelview
Russellville	(same as Brazito)
St. Robert	Ft. Leonard Wood, Waynesville
St. Thomas	(same as Brazito)
Taos	(same as Brazito)
Warrensburg	Centerview
Waynesville	Ft. Leonard Wood, St. Robert

**MISSOURI
Public Service Commission**

CANCELLED

SEP 17 2001
By *3rd RP#17*
**Public Service Commission
MISSOURI**

(RT)

FILED

FEB 15 2001

**MISSOURI
Public Service Commission**

ISSUED:
January 16, 2001

BY: Richard D. Lawson
State Executive, External Affairs
319 Madison
Jefferson City, MO 65101

EFFECTIVE:
February 15, 2001

GENERAL EXCHANGE TARIFF

SPRINT MISSOURI, INC.
d/b/a SPRINT

First Revised Page 17
Cancels Original Page 17

LOCAL EXCHANGE SERVICE RATE GROUPS **Missouri Public Service Commission**

VIII. EXTENDED AREA SERVICE (Cont'd)

REC'D JAN 22 1999

Extended Area Service is provided between the following Exchanges or Zones.

<u>FROM</u>	<u>TO</u>	
New Bloomfield	(same as Brazito)	
Norborne	Stet (Green Hills Telephone)	
Pickering	Maryville	
Platte City	Ferrelview	
Russellville	(same as Brazito)	
St. Robert	Ft. Leonard Wood, Waynesville	
St. Thomas	(same as Brazito)	
Taos	(same as Brazito)	
Urich	Clinton, Coal	(RT)
Warrensburg	Centerview	
Waynesville	Ft. Leonard Wood, St. Robert	

CANCELLED

(RT)
(RT)

FEB 15 2001

By *2ND RP 17*
**Public Service Commission
MISSOURI**

Missouri Public Service Commission

FILED FEB 22 1999

ISSUED:
January 22, 1999

BY: Richard D. Lawson
State Executive, External Affairs
319 Madison
Jefferson City, MO 65101

EFFECTIVE:
February 22, 1999

GENERAL EXCHANGE TARIFF

UNITED TELEPHONE COMPANY
OF MISSOURI

Original Page 17

RECEIVED

LOCAL EXCHANGE SERVICE RATE GROUPS

SEP 17 1992

VIII. EXTENDED AREA SERVICE (Cont'd)

Extended Area Service is provided between the following Exchanges or Zones.

<u>FROM</u>	<u>TO</u>
New Bloomfield	(same as Brazito)
Norborne	Stet (Green Hills Telephone).
Pickering	Maryville
Platte City	Ferrelview
Russellville	(same as Brazito)
St. Robert	Ft. Leonard Wood, Waynesville
St. Thomas	(same as Brazito)
Taos	(same as Brazito)
Urich*	Clinton, Coal
Warrensburg	Centerview
Waynesville	Ft. Leonard Wood, St. Robert

*For description of the optional EAS additive for this Exchange, see IV.A "Community Optional Service" Section 47 in this tariff.

CANCELLED

FEB 22 1999
By *[Signature]*
Public Service Commission
MISSOURI

FILED

NOV 7 1992

MO. PUBLIC SERVICE COMM.

ISSUED:
September 17, 1992

BY: John L. Roe
Vice President - Administration
5454 West 110th Street
Overland Park, Kansas 66211

EFFECTIVE:
~~October 17, 1992~~
NOV 7 1992

GENERAL EXCHANGE TARIFF

Embarq Missouri, Inc.
d/b/a CenturyLink

Third Revised Page 18
Cancels Second Revised Page 18

LOCAL EXCHANGE SERVICE

IX. CENTURYLINK LINE VOLUME PLAN (CLVP)

1. General

- a. CenturyLink Line Volume Plan (CLVP) is available to business customers subscribing to 10 or more basic business lines, key lines or key trunks. A customer may have a maximum of 3,000 participating lines across all service territories served by CenturyLink incumbent local exchange carriers (each, a CenturyLink ILEC). Lines served by a CenturyLink competitive local exchange carrier (CLEC) are not contributory to or eligible for CLVP.
- b. CLVP is offered as a tiered plan with each tier having a Minimum Line Requirement. Lines and/or key trunks provided by a CenturyLink ILEC which are already discounted under an existing term discount plan, line volume plan or any contractual arrangement which contains a volume and/or minimum term commitment, may contribute to the aggregate line count used for determining the applicable tier and rates for services under this CLVP, but are not eligible for additional discounts under this CLVP.
- c. The terms, conditions, and application of rates for services in Qwest Corporation locations may differ from those contained herein, and are as described in the applicable tariffs, catalogs, and/or other local terms of service documents for those service locations.

2. Regulations

- a. Qualifying CLVP services in locations other than those served by Qwest Corporation are defined as follows:
 - Flat rate business individual lines – local exchange service terminating into a single line instrument.
 - Flat rate key lines or key trunks – local exchange service terminating into any system classified as a key system pursuant to FCC Part 68 Rules and any hybrid system designed to function like a key system, e.g. an outbound line is manually selected, usually by pushing a button on the handset, rather than being selected automatically (usually by dialing 9).

(N)

(N)

ISSUED:
August 29, 2014

By: Darlene N. Terry
Manager - Tariffs
5454 West 110th Street
Overland Park, KS 66211

EFFECTIVE:
September 29, 2014

MO 14-07

P.S.C. MO.-No. 22 Section 16

GENERAL EXCHANGE TARIFF

**Embarq Missouri, Inc.
d/b/a Embarq**

Second Revised Page 18 (C)
Cancels First Revised Page 18 (C)

LOCAL EXCHANGE SERVICE

(N)

Reserved for Future Filing

(D)
(N)

(D)

ISSUED:
January 20, 2009

BY: Darlene N. Terry
Manager - Tariffs
5454 W. 110th Street
Overland Park, Kansas 66211

EFFECTIVE:
February 1, 2009

CANCELLED
September 29, 2014
Missouri Public
Service Commission
JI-2015-0056

FILED
Missouri Public
Service Commission
JI-2009-0528

P.S.C. MO.-No. 22 Section 16
GENERAL EXCHANGE TARIFF

SPRINT MISSOURI, INC.
d/b/a SPRINT
VI. DISCONTINUANCE OF EAS

First Revised Page 18
Cancels Original Page 18

(CT)

A. The Company will discontinue service from specific EAS routes between exchanges as a result of a survey as set forth following:

1. Company has received petition or petitions representing at least 20% of the customers from one of the affected exchanges or at least 10% of the customers in each of the affected exchanges, requesting that the Company conduct a survey to determine whether EAS should be discontinued.

If prior surveys have been conducted in the affected exchanges, at least two years shall have elapsed since the last survey before an additional survey is initiated.

2. A minimum of 50% of the combined total customers in the affected exchanges must vote. Then, at least two thirds (66 2/3%) of the combined total customers in the affected exchanges voting, must vote to discontinue such service.
3. The survey cards will be returned by the customers to the Secretary of the Public Service Commission for validation and tabulation. The Public Service Commission will advise the Company of the survey results and, if the appropriate requirements are met, the Company will then discontinue such service, together with the appropriate EAS Rate Component, as soon as is practicable.

ISSUED:
December 27, 2001

BY: Richard D. Lawson
State Executive, External Affairs
319 Madison
Jefferson City, MO 65101

EFFECTIVE:
January 26, 2002

CANCELLED
February 1, 2009
Missouri Public
Service Commission
JI-2009-0528

Filed
Missouri Public
Service Commission

GENERAL EXCHANGE TARIFF

UNITED TELEPHONE COMPANY
OF MISSOURI

Original Page 18

SEP 17 1992

IX. DISCONTINUANCE OF EAS

A. The Company will discontinue service from specific EAS routes between exchanges as a result of a survey as set forth following:

1. Company has received petition or petitions representing at least 20% of the customers from one of the affected exchanges or at least 10% of the customers in each of the affected exchanges, requesting that the Company conduct a survey to determine whether EAS should be discontinued.

If prior surveys have been conducted in the affected exchanges, at least two years shall have elapsed since the last survey before an additional survey is initiated.

2. A minimum of 50% of the combined total customers in the affected exchanges must vote. Then, at least two thirds (66 2/3%) of the combined total customers in the affected exchanges voting, must vote to discontinue such service.

3. The survey cards will be returned by the customers to the Secretary of the Public Service Commission for validation and tabulation. The Public Service Commission will advise the Company of the survey results and, if the appropriate requirements are met, the Company will then discontinue such service, together with the appropriate EAS Rate Component, as soon as is practicable.

CANCELLED

JAN 26 2002

By *LSR/P18*
Public Service Commission
MISSOURI

FILED

NOV 7 1992

MO. PUBLIC SERVICE COMM.

ISSUED:
September 17, 1992

BY: John L. Roe
Vice President - Administration
5454 West 110th Street
Overland Park, Kansas 66211

EFFECTIVE:

~~October 17, 1992~~

NOV 7 1992

GENERAL EXCHANGE TARIFF

Embarq Missouri, Inc.
d/b/a CenturyLink

Sixth Revised Page 19
Cancels Fifth Revised Page 19

LOCAL EXCHANGE SERVICE

IX. CENTURYLINK LINE VOLUME PLAN (CLVP) (Continued)

(N)

2. Regulations (Continued)

- b. CLVP Feature Package, consisting of Customer's choice of any of the following features (where offered), is available in conjunction with any qualifying service:

Caller ID (includes Anonymous Call Rejection, where available)
 Call Forwarding
 Call Forward Busy
 Call Forward No Answer
 Call Forward-Remote Access (Not currently available)
 Enhanced Call Waiting
 Three-Way Calling
 Three-Way Calling with Transfer
 Call Return
 SignalRing
 Message Waiting Indicator ^[1]
 Voicemail ^[1]

- c. The terms and conditions for qualifying services and optional features apply as specified in applicable CenturyLink tariffs, guidebooks, schedules, and/or other local terms of service documents, unless stated otherwise herein.
- d. CLVP rates are based on line volume and a term commitment period of two, three, four or five years. Customers may not have more than one CLVP tier and term commitment period in effect across all CenturyLink service locations except as described in e. following. Rates for qualifying services at new service locations will be charged based on the already established tier and commitment period. Any lines added after execution of the initial CLVP are contributory towards the Minimum Line Commitment but will not prompt a change in the assigned tier for the previously established lines.
- e. Customers with a previously existing CLVP offered by Qwest Corporation may select a separate (second) CLVP for services in an eligible location other than Qwest Corporation. Lines in all CenturyLink ILEC service locations, including locations served by Qwest Corporation, may, at Customer's request, be contributory towards determining the tier for the second CLVP. Services in a Qwest Corporation service location are not eligible for the rates associated with the tier assigned for the second CLVP and will continue to be charged at the tier rates under the original CLVP offered by Qwest Corporation for the remainder of its term commitment period.

Alternatively, customers may discontinue a previously existing CLVP and establish a new CLVP as described in j. following, in which instance a new tier will be established and will apply for all service locations.

^[1] This service is not regulated under this tariff.

ISSUED:
August 29, 2014

By: Darlene N. Terry
 Manager - Tariffs
 5454 West 110th Street
 Overland Park, KS 66211

EFFECTIVE:
September 29, 2014

(N)

GENERAL EXCHANGE TARIFF

Embarq Missouri, Inc.
d/b/a Embarq

Fifth Revised Page 19
Cancels Fourth Revised Page 19

LOCAL EXCHANGE **SERVICE**

(C)

Reserved for Future Filing

(M)
(N)

(M)

(M) Material previously found on this page now appears on Eighth Revised Page 5.

ISSUED:
January 20, 2009

BY: Darlene N. Terry
Manager - Tariffs
5454 W. 110th Street
Overland Park, Kansas 66211

EFFECTIVE:
February 1, 2009

CANCELLED
September 29, 2014
Missouri Public
Service Commission
JI-2015-0056

FILED
Missouri Public
Service Commission
JI-2009-0528

GENERAL EXCHANGE TARIFF

Embarq Missouri, Inc.
d/b/a Embarq

Fourth Revised Page 19
Cancels Third Revised Page 19

LOCAL EXCHANGE SERVICE RATE GROUPS

VII. TERM DISCOUNT PLAN (TDP)

A. GENERAL

1. A Term Discount Plan (TDP) provides business customers, who have five (5) or more lines/trunks at the same location and billed under a single bill or who have five (5) or more lines/trunks at different locations and billed under a single bill, with discounted rates for **flat rated** Business One Party lines and Trunks. Fewer than five (5) lines/trunks billing under a single bill are not eligible for the TDP rates, regardless of whether the customer in total subscribes to five (5) or more lines/trunks. The discount on Local Exchange Service Rate Component does not apply for the EAS Rate Component. **Local Measured Service lines/trunks are not eligible for this plan.** (T)
(T)
2. Business One Party lines and Trunks may be ordered under a TDP for fixed periods of two (2) years and three (3) years.
3. The customer must specify the length of the initial service period at the time the service is ordered.
4. At the end of the TDP commitment period the customer may subscribe to a new TDP at discounts on the prevailing rates as set forth in VII.C. following. If the customer does not specify renewal terms in writing 90 days prior to the expiration of the TDP, the commitment period and the discount in effect at the time of expiration will automatically be extended for 12 months. The customer can terminate service at the end of the minimum commitment period with no penalty or obligation to continue the service.
5. Rate increases or decreases will automatically be applied to the monthly term plan rates for the remaining term of the TDP. If a Company initiated rate increase causes the services under the TDP to increase by 10% or more annually, then the customer may cancel the TDP without incurring termination liability charges provided the customer notifies the Company within 30 days after the effective date of the rate increase.
6. The customer can extend TDP commitment periods at any time during the term of the plan, up to a maximum of three years. The number of remaining months in the original term plan will apply toward the new term plan selected.

ISSUED:
October 26, 2007

BY: Darlene N. Terry
Manager - Tariffs
5454 W. 110th Street
Overland Park, KS 66211

EFFECTIVE:
November 25, 2007

CANCELLED
February 1, 2009
Missouri Public
Service Commission
JI-2009-0528

FILED
Missouri Public
Service Commission

GENERAL EXCHANGE TARIFF

Embarq Missouri, Inc.
d/b/a Embarq

Third Revised Page 19
Cancels Second Revised Page 19

LOCAL EXCHANGE SERVICE RATE GROUPS

VII TERM DISCOUNT PLAN (TDP)

(N)

A. GENERAL

1. A Term Discount Plan (TDP) provides business customers, who have five (5) or more lines/trunks at the same location and billed under a single bill or who have five (5) or more lines/trunks at different locations and billed under a single bill, with discounted rates for Business One Party lines and Trunks. Fewer than five (5) lines/trunks billing under a single bill are not eligible for the TDP rates, regardless of whether the customer in total subscribes to five (5) or more lines/trunks. The discount on Local Exchange Service Rate Component does not apply for the EAS Rate Component.
2. Business One Party lines and Trunks may be ordered under a TDP for fixed periods of two (2) years and three (3) years.
3. The customer must specify the length of the initial service period at the time the service is ordered.
4. At the end of the TDP commitment period the customer may subscribe to a new TDP at discounts on the prevailing rates as set forth in VII.C. following. If the customer does not specify renewal terms in writing 90 days prior to the expiration of the TDP, the commitment period and the discount in effect at the time of expiration will automatically be extended for 12 months. The customer can terminate service at the end of the minimum commitment period with no penalty or obligation to continue the service.
5. Rate increases or decreases will automatically be applied to the monthly term plan rates for the remaining term of the TDP. If a Company initiated rate increase causes the services under the TDP to increase by 10% or more annually, then the customer may cancel the TDP without incurring termination liability charges provided the customer notifies the Company within 30 days after the effective date of the rate increase.
6. The customer can extend TDP commitment periods at any time during the term of the plan, up to a maximum of three years. The number of remaining months in the original term plan will apply toward the new term plan selected.

(N)

ISSUED:
November 1, 2006

BY: Darlene N. Terry
Manager - Tariffs
5454 W. 110th Street
Overland Park, Kansas 66211

EFFECTIVE:
December 1, 2006

CANCELLED
November 25, 2007
Missouri Public
Service Commission

Filed
Missouri Public
Service Commission

P.S.C. MO.-No. 22 Section 16
GENERAL EXCHANGE TARIFF

SPRINT MISSOURI, INC.
d/b/a SPRINT

Second Revised Page 19
Cancels First Revised Page 19

LOCAL EXCHANGE SERVICE RATE GROUPS

VII. (Reserved for future filing)

(CT)

ISSUED:
December 27, 2001

BY: Richard D. Lawson
State Executive, External Affairs
319 Madison
Jefferson City, MO 65101

EFFECTIVE:
January 26, 2002

Cancelled

December 1, 2006
Missouri Public
Service Commission

Filed

Missouri Public
Service Commission

GENERAL EXCHANGE TARIFF

UNITED TELEPHONE COMPANY
OF MISSOURI

First Revised Page 19
Cancels Original Page 19

LOCAL EXCHANGE SERVICE RATE GROUPS

RECEIVED

X. (Reserved for future filing)

JUL 15 1994

(CT)
(RT)

MO. PUBLIC SERVICE COMM.

CANCELLED

JAN 26 2002

2nd RP 19
Public Service Commission
MISSOURI

FILED

AUG 19 1994
95 - 38

MO. PUBLIC SERVICE COMM.

(RT)

ISSUED:
July 15, 1994

BY: John L. Roe
Vice President - Administration
5454 West 110th Street
Overland Park, Kansas 66211

EFFECTIVE:
August 19, 1994

GENERAL EXCHANGE TARIFF

UNITED TELEPHONE COMPANY
OF MISSOURI

Original Page 19

SEP 17 1992

LOCAL EXCHANGE SERVICE RATE GROUPS

X. OPTIONAL EXTENDED AREA SERVICE

Public Service Commission

1. Two way Extended Area Service is provided between Lake Lotawana and Southwestern Bell Telephone Company Exchanges which are included in the Southwestern Bell Telephone Company Kansas City Metropolitan Wide Area Service plan, at the option of Lake Lotawana customers. This service is limited to one-party line customers only.

Each Subscriber to this service will be provided with a Southwestern Bell Kansas City alphabetical directory without charge.

Subscribers are also entitled to a standard free listing in the Southwestern Bell Kansas City directory.

CANCELLED

AUG 19 1994
BY *Pat R.P. 19*
Public Service Commission
MISSOURI

FILED

NOV 7 1992

MO. PUBLIC SERVICE COMM.

EFFECTIVE:

~~October 17, 1992~~

NOV 7 1992

ISSUED:
September 17, 1992

BY: John L. Roe
Vice President - Administration
5454 West 110th Street
Overland Park, Kansas 66211

GENERAL EXCHANGE TARIFF

Embarq Missouri, Inc.
d/b/a CenturyLink

Third Revised Page 19.1
Cancels Second Revised Page 19.1

LOCAL EXCHANGE SERVICE

IX. CENTURYLINK LINE VOLUME PLAN (CLVP) (Continued)

2. Regulations (Continued)

- f. All qualifying services must be associated with the same customer. The Company may, at its discretion, provide this plan to Affiliates or Franchisees of Customer. An Affiliate or Franchisee is an entity whose operation of business is substantially associated with Customer's name, mark, or commercial symbol. When, at the Company's discretion, this plan is provided to Affiliates or Franchisees of Customer, Customer must designate the specific account to which Early Termination Charges and Shortfall Penalties will be applied.
- g. Services subject to rates under this CLVP are not eligible for discounted rates under any other local voice discount plan. Only the qualifying services listed in 2.a. preceding are both contributory to and eligible for the CLVP rates herein. However, a line or key trunk in any packaged service may contribute towards the minimum line requirement. PBX trunks are neither eligible for or contributory to CLVP for purposes of determining the appropriate rate tier and minimum line requirement.
- h. Customers may select a CLVP tier lower than their actual quantity of contributory services.
- i. Services receiving promotional or competitive response discounts or recurring charge waivers under other term commitment programs are not eligible for CLVP rates until the terms of those offers have been satisfied for those lines.
- j. Additional business lines may be added at any time during Customer's term commitment period, but will not affect the tier and monthly discount levels established upon execution of the CLVP agreement unless Customer commits to a new agreement for a greater number of lines than the existing agreement. Rates applicable under the new agreement will not apply retroactively nor will the months accrued under the initial agreement apply towards the new commitment period.
- k. Customer may move all or some of the lines under this CLVP to any eligible CenturyLink service location without incurring termination charges, as long as Customer maintains the overall minimum line requirement. The CLVP rates for relocated lines are as specified in the appropriate CenturyLink tariffs, guidebooks, schedules, and/or local terms of service documents for the new service location.

(N)

(N)

ISSUED:
August 29, 2014

By: Darlene N. Terry
Manager - Tariffs
5454 West 110th Street
Overland Park, KS 66211

EFFECTIVE:
September 29, 2014

MO 14-07

GENERAL EXCHANGE TARIFF

Embarq Missouri, Inc.
d/b/a Embarq

Second Revised Page 19.1
Cancels First Revised Page 19.1

LOCAL EXCHANGE **SERVICE**

(C)

Reserved for Future Filing

(M)
(N)

(M)

(M) Material previously found on this page now appears on Fourth Revised Page 6.

ISSUED:
January 20, 2009

BY: Darlene N. Terry
Manager - Tariffs
5454 W. 110th Street
Overland Park, Kansas 66211

EFFECTIVE:
February 1, 2009

CANCELLED
September 29, 2014
Missouri Public
Service Commission
JI-2015-0056

FILED
Missouri Public
Service Commission
JI-2009-0528

GENERAL EXCHANGE TARIFF

Embarq Missouri, Inc.
d/b/a Embarq

First Revised Page 19.1
Cancels Original Page 19.1

LOCAL EXCHANGE SERVICE RATE GROUPS

VII. TERM DISCOUNT PLAN (TDP) (Continued)

B. TERMINATION LIABILITY CHARGES

1. If a business customer under a Term Discount Plan (TDP) disconnects any portion of the Business One Party lines and Trunks TDP service prior to the expiration of the TDP, then a Termination Liability Charge will apply to those services that are disconnected. The Termination Liability Charge will be a one-time charge equal to the sum of 50% of the payments for the remainder of the TDP. Should a customer drop below the line/trunk minimum requirement, the customer will no longer qualify for the TDP, and the remaining lines/trunks will default to the standard month-to-month rates effective with the disconnect date.

C. DISCOUNTS

	<u>Two Years</u>	<u>Three Years</u>	
1. Business One Party Line (flat rated)	10%	15%	(T)
2. Business Trunk (flat rated)	10%	15%	(T)

ISSUED:
October 26, 2007

BY: Darlene N. Terry
Manager - Tariffs
5454 W. 110th Street
Overland Park, KS 66211

EFFECTIVE:
November 25, 2007

CANCELLED
February 1, 2009
Missouri Public
Service Commission
JI-2009-0528

FILED
Missouri Public
Service Commission

GENERAL EXCHANGE TARIFF

Embarq Missouri, Inc.
d/b/a Embarq

Original Page 19.1

LOCAL EXCHANGE SERVICE RATE GROUPS

VII TERM DISCOUNT PLAN (TDP) (Continued)

B. TERMINATION LIABILITY CHARGES

1. If a business customer under a Term Discount Plan (TDP) disconnects any portion of the Business One Party lines and Trunks TDP service prior to the expiration of the TDP, then a Termination Liability Charge will apply to those services that are disconnected. The Termination Liability Charge will be a one-time charge equal to the sum of 50% of the payments for the remainder of the TDP. Should a customer drop below the line/trunk minimum requirement, the customer will no longer qualify for the TDP, and the remaining lines/trunks will default to the standard month-to-month rates effective with the disconnect date.

C. DISCOUNTS

	<u>Two Years</u>	<u>Three Years</u>
1. Business One Party Line	10%	15%
2. Business Trunk	10%	15%

ISSUED:
November 1, 2006

BY: Darlene N. Terry
Manager - Tariffs
5454 W. 110th Street
Overland Park, Kansas 66211

EFFECTIVE:
December 1, 2006

CANCELLED
November 25, 2007
Missouri Public
Service Commission

Filed
Missouri Public
Service Commission

GENERAL EXCHANGE TARIFF

Embarq Missouri, Inc.
d/b/a CenturyLink

Sixth Revised Page 20
Cancels Fifth Revised Page 20

LOCAL EXCHANGE SERVICE

IX. CENTURYLINK LINE VOLUME PLAN (CLVP) (Continued)

(N)

3. Early Termination Liability

- a. If CenturyLink terminates the Service(s) for cause, or if Customer terminates the Services(s) in whole without cause before expiration of the initial commitment period, the customer will pay termination charges of \$15.00 per line of the customer's Minimum Line Requirement multiplied by the remaining number of months left on the Term. For example: a customer terminating all service with 3 months remaining on the Term and a Minimum Line Requirement of 50 lines will pay $\$15.00 \times 50 \times 3 = \$2,250.00$.
- b. If during an annual review of Customer's account, the account falls below the Minimum Line Requirement for the discount tier, the customer will pay a shortfall penalty of \$60.00 for each line below the Minimum Line Requirement. If the customer is charged a shortfall charge, the Company may subsequently conduct quarterly audits and apply shortfall charges until the customer meets the Minimum Line Requirement.
- c. The optional CLVP Feature Package does not contribute to the discount tier and is not subject to termination charges or shortfall penalty.
- d. Early Termination Liability charges will be waived for CLVP customers who commit to a new term agreement that includes the same or greater number of equivalent lines or similar services (e.g. channels within a 1.544 Mbps service) for the same or greater term than their existing agreement. Months accrued under the CLVP term commitment period will not apply towards the new commitment period.

(N)

ISSUED:
August 29, 2014

By: Darlene N. Terry
Manager - Tariffs
5454 West 110th Street
Overland Park, KS 66211

EFFECTIVE:
September 29, 2014

MO 14-07

GENERAL EXCHANGE TARIFF

Embarq Missouri, Inc.
d/b/a Embarq

Fifth Revised Page 20
Cancels Fourth Revised Page 20

LOCAL EXCHANGE **SERVICE**

(C)

Reserved for Future Filing

(M)
(N)

(M)

(M) Material previously found on this page now appears on Twenty-Sixth Revised Page 7.

ISSUED:
January 20, 2009

BY: Darlene N. Terry
Manager - Tariffs
5454 W. 110th Street
Overland Park, Kansas 66211

EFFECTIVE:
February 1, 2009

CANCELLED
September 29, 2014
Missouri Public
Service Commission
JI-2015-0056

FILED
Missouri Public
Service Commission
JI-2009-0528

GENERAL EXCHANGE TARIFF

Embarq Missouri, Inc.
d/b/a Embarq

Fourth Revised Page 20 (C)
Cancels Third Revised Page 20 (C)

LOCAL EXCHANGE SERVICE RATE GROUPS

VIII. **RESERVED FOR FUTURE USE** (Z)

IX. **LOCAL MEASURED SERVICE (LMS)** (Z)

A. Application and Regulations

1. Customers will have under this tariff offering the option of subscribing to Local Measured Service which provides for measured calling to all points within the existing non-toll calling area.
2. Business and residence one-party customers will have the option of maintaining their current telephone service or changing to local measured service.
3. Normal service connection charges for existing customers will not apply for one customer conversion to and/or from the local measured service offering within the six month period commencing with the offering date of LMS in an exchange. Any conversion to or from LMS in excess of this allowance will be billed at the following rates.

Simple customers \$10.25

Complex customers \$14.70

4. All customer lines equipped for outward calling at a given location must be arranged for local measured service. Group billing shall be provided on rotary and PBX trunks.
5. Local usage charges will not apply to calls to the Company Business Office or Repair Service, Long Distance Carrier Access Trunks or for Emergency Service as found in the local exchange telephone directory.
6. Local measured service will not be provided for Foreign Exchange, Payphone Line Service, and Centrex lines.
7. Local Measured Service access line charges are billed one month in advance with usage charges billed under the bulk bill plan one month in arrears. Optional detail billing is available at an additional charge as specified under C.3.c. of this tariff.

ISSUED:
February 27, 2008

BY: Darlene N. Terry
Manager - Tariffs
5454 W. 110th Street
Overland Park, Kansas 66211

EFFECTIVE:
March 28, 2008

CANCELLED
February 1, 2009
Missouri Public
Service Commission
JI-2009-0528

FILED
Missouri Public
Service Commission

P.S.C. MO.-No. 22 Section 16
GENERAL EXCHANGE TARIFF

SPRINT MISSOURI, INC.
d/b/a SPRINT

Third Revised Page 20
Cancels Second Revised Page 20

LOCAL EXCHANGE SERVICE RATE GROUPS

VIII. LOCAL MEASURED SERVICE (LMS)

(CT)

A. Application and Regulations

1. Customers will have under this tariff offering the option of subscribing to Local Measured Service which provides for measured calling to all points within the existing non-toll calling area.
2. Business and residence one-party customers will have the option of maintaining their current telephone service or changing to local measured service.
3. Normal service connection charges for existing customers will not apply for one customer conversion to and/or from the local measured service offering within the six month period commencing with the offering date of LMS in an exchange. Any conversion to or from LMS in excess of this allowance will be billed at the following rates.

Simple customers \$10.25

Complex customers \$14.70

4. All customer lines equipped for outward calling at a given location must be arranged for local measured service. Group billing shall be provided on rotary and PBX trunks.
5. Local usage charges will not apply to calls to the Company Business Office or Repair Service, Long Distance Carrier Access Trunks or for Emergency Service as found in the local exchange telephone directory.
6. Local measured service will not be provided for Foreign Exchange, Payphone Line Service, and Centrex lines.
7. Local Measured Service access line charges are billed one month in advance with usage charges billed under the bulk bill plan one month in arrears. Optional detail billing is available at an additional charge as specified under C.3.c. of this tariff.

ISSUED:
December 27, 2001

BY: Richard D. Lawson
State Executive, External Affairs
319 Madison
Jefferson City, MO 65101

EFFECTIVE:
January 26, 2002

GENERAL EXCHANGE TARIFF

SPRINT MISSOURI, INC.
d/b/a SPRINT

Second Revised Page 20
Cancels First Revised Page 20

LOCAL EXCHANGE SERVICE RATE GROUPS

Missouri Public
Service Commission

XI. LOCAL MEASURED SERVICE (LMS)

REC'D JAN 26 2000

A. Application and Regulations

1. Customers will have under this tariff offering the option of subscribing to Local Measured Service which provides for measured calling to all points within the existing non-toll calling area.
2. Business and residence one-party customers will have the option of maintaining their current telephone service or changing to local measured service.
3. Normal service connection charges for existing customers will not apply for one customer conversion to and/or from the local measured service offering within the six month period commencing with the offering date of LMS in an exchange. Any conversion to or from LMS in excess of this allowance will be billed at the following rates.

Simple customers \$10.25

Complex customers \$14.70

4. All customer lines equipped for outward calling at a given location must be arranged for local measured service. Group billing shall be provided on rotary and PBX trunks.
5. Local usage charges will not apply to calls to the Company Business Office or Repair Service, Long Distance Carrier Access Trunks or for Emergency Service as found in the local exchange telephone directory.
6. Local measured service will not be provided for Foreign Exchange, Payphone Line Service, and Centrex lines. (CT)
7. Local Measured Service access line charges are billed one month in advance with usage charges billed under the bulk bill plan one month in arrears. Optional detail billing is available at an additional charge as specified under C.3.c. of this tariff.

CANCELLED

JAN 26 2002

2nd RP 20
Public Service Commission
Missouri
Dr. Lawson

State Executive, External Affairs
319 Madison
Jefferson City, MO 65101

Missouri Public
Service Commission

FILED MAR 24 2000

EFFECTIVE:

February

MAR 24 2000

ISSUED:
January 26, 2000

GENERAL EXCHANGE TARIFF

UNITED TELEPHONE COMPANY
OF MISSOURI

First Revised Page 20
Cancels Original Page 20

LOCAL EXCHANGE SERVICE RATE GROUPS **REVISED**

XI. LOCAL MEASURED SERVICE (LMS)

JUL 15 1993

A. Application and Regulations

MO. PUBLIC SERVICE COMM.

1. Customers will have under this tariff offering the option of subscribing to Local Measured Service which provides for measured calling to all points within the existing non-toll calling area.
2. Business and residence one-party customers will have the option of maintaining their current telephone service or changing to local measured service.
3. Normal service connection charges for existing customers will not apply for one customer conversion to and/or from the local measured service offering within the six month period commencing with the offering date of LMS in an exchange. Any conversion to or from LMS in excess of this allowance will be billed at the following rates.

Simple customers	\$10.25
Complex customers	\$14.70

4. All customer lines equipped for outward calling at a given location must be arranged for local measured service. Group billing shall be provided on rotary and PBX trunks.
5. Local usage charges will not apply to calls to the Company Business Office or Repair Service, Long Distance Carrier Access Trunks or for Emergency Service as found in the local exchange telephone directory.
6. Local measured service will not be provided for Foreign Exchange, Public and Semi-public Service, and Centrex lines.
7. Local Measured Service access line charges are billed one month in advance with usage charges billed under the bulk bill plan one month in arrears. Optional detail billing is available at an additional charge as specified under C.3.c. of this tariff.

(CT)

CANCELLED

FILED

MAR 24 2000

AUG 16 1993

ISSUED:
July 15, 1993

By *JNR RP20*
Public Service Commission
MISSOURI

BY: John L. Roe
Vice President - Administration
5454 West 110th Street
Overland Park, Kansas 66211

MO. PUBLIC SERVICE COMM.
EFFECTIVE:
August 16, 1993

GENERAL EXCHANGE TARIFF

UNITED TELEPHONE COMPANY
OF MISSOURI

Original Page 20

LOCAL EXCHANGE SERVICE RATE GROUPS

SEP 17 1992

XI. LOCAL MEASURED SERVICE (LMS)

A. Application and Regulations

1. Customers will have under this tariff offering the option of subscribing to Local Measured Service which provides for measured calling to all points within the existing non-toll calling area.
2. Business and residence one-party customers will have the option of maintaining their current telephone service or changing to local measured service.
3. Normal service connection charges for existing customers will not apply for one customer conversion to and/or from the local measured service offering within the six month period commencing with the offering date of LMS in an exchange. Any conversion to or from LMS in excess of this allowance will be billed at the following

Simple customers	\$10.25
Complex customers	\$14.70

CANCELLED

AUG 16 1993
BY Let R.S. # 20

Public Service Commission

4. All customer lines equipped for outward calling at a given location must be arranged for local measured service. Group billing shall be provided on rotary and PBX trunks.
5. Local usage charges will not apply to calls to the Company Business Office or Repair Service, Long Distance Carrier Access Trunks or for Emergency Service as found in the local exchange telephone directory.
6. Local measured service will not be provided for Foreign Exchange, Public and Semi-public Service, and Advanced Business Connection (ABC) lines.
7. Local Measured Service access line charges are billed one month in advance with usage charges billed under the bulk bill plan one month in arrears. Optional detail billing is available at an additional charge as specified under C.3.c. of this tariff.

FILED

NOV 7 1992

MO. PUBLIC SERVICE COMM.

ISSUED:
September 17, 1992

BY: John L. Roe
Vice President - Administration
5454 West 110th Street
Overland Park, Kansas 66211

EFFECTIVE:
~~October 17, 1992~~
NOV 7 1992

GENERAL EXCHANGE TARIFF

Embarq Missouri, Inc.
d/b/a CenturyLink

Seventeenth Revised Page 21
Cancels Sixteenth Revised Page 21
Also Cancels Third Revised Page 21.0.1

LOCAL EXCHANGE SERVICE

IX. CENTURYLINK LINE VOLUME PLAN (CLVP) (Continued)

(N)

4. Application of Rates

- a. Touch calling service charges and/or Extended Area Service charges normally billed in addition to the local exchange service rate are included in the rates specified herein. Charges for lines and key trunks in a hunting arrangement (a.k.a. rotary line service or rotary access service) that would otherwise apply as an incremental charge are also included in the rates specified herein.
- b. Customers will not incur service charges or other nonrecurring charges when switching existing basic business line service to CLVP.
- c. Nonrecurring charges and/or Service Charges will apply as specified in applicable CenturyLink tariffs, guidebooks, schedules, and/or local terms of service documents. Nonrecurring charges may be waived if customer moves future services from another telecommunications service provider to lines under the CLVP. However, such subsequently moved lines will not affect the tier and monthly discount level established upon execution of this agreement.
- d. Qualifying services may be aggregated across the entire CenturyLink Incumbent LEC service territory to determine the applicable Tier (based on total number of lines). The monthly rate(s) in effect for each service location upon execution of a CLVP agreement will apply for the duration of the term commitment period, and are not subject to Company initiated rate increases.
- e. At the end of the initial CLVP term commitment period, the CLVP term will automatically renew for up to two consecutive renewal periods unless either party provides thirty days written notice of its intention not to renew or Customer executes a new CLVP agreement. Each renewal period will be equal to the initial term commitment period for existing lines in place. During the renewal periods, Customer must retain the minimum number of lines required for the Tier assigned under the original agreement. Lines added during an auto-renewal period are eligible for the rates extended under the CLVP. If, at the end of the second auto-renewal period, Customer has not executed a new agreement, the rates for business individual lines and/or key lines/trunks, including lines/trunks in a hunting arrangement (a.k.a. rotary line service or rotary access service), and ala carte rates for optional features selected with CLVP Feature Package, if applicable, will revert to the non-contractual monthly rates in effect for those services as specified in CenturyLink's tariffs, guidebooks, schedules, and/or other local terms of service documents.

(N)

ISSUED:
August 29, 2014

By: Darlene N. Terry
Manager - Tariffs
5454 West 110th Street
Overland Park, KS 66211

EFFECTIVE:
September 29, 2014

MO 14-07

CANCELLED
October 1, 2014
Missouri Public
Service Commission
JI-2015-0081

FILED
Missouri Public
Service Commission
JI-2015-0056

GENERAL EXCHANGE TARIFF

Embarq Missouri, Inc.
d/b/a Embarq

Sixteenth Revised Page 21
Cancels Fifteenth Revised Page 21

LOCAL EXCHANGE **SERVICE**

(C)

Reserved for Future Filing

(M)

(N)

(M1)

(M)

(D)

(D)

(M) Material previously found on this page now appears on Eighth Revised Page 8.

(M1) Material previously found on this page now appears on Twenty-Sixth Revised Page 7.

ISSUED:
January 20, 2009

BY: Darlene N. Terry
Manager - Tariffs
5454 W. 110th Street
Overland Park, Kansas 66211

EFFECTIVE:
February 1, 2009

CANCELLED
September 29, 2014
Missouri Public
Service Commission
JI-2015-0056

FILED
Missouri Public
Service Commission
JI-2009-0528

GENERAL EXCHANGE TARIFF

Embarq Missouri, Inc.
d/b/a Embarq

Fifteenth Revised Page 21
Cancels Fourteenth Revised Page 21

LOCAL EXCHANGE SERVICE RATE GROUPS

IX. LOCAL MEASURED SERVICE (LMS) (Cont'd)

- B. Offered in those Missouri exchanges where it is technologically and economically feasible.
- C. Rates and Charges

All monthly local exchange rates include Touch Tone Service.

RATE GROUPS

	I	II	III	IV
--	---	----	-----	----

1. BUSINESS

One Party

Ferrelview			\$16.50	
Jefferson City				\$17.25
Kearney			\$16.50	
Lebanon			\$16.25	
Norborne	\$15.00			
Platte City			\$16.50	
Rolla				\$17.75
St. Robert			\$16.50	
Waynesville			\$16.50	
All Other Exchanges	\$13.57	\$14.19	\$15.03	\$16.05

(l)
|
(l)

Trunk

Ferrelview			\$20.56	
Jefferson City				\$23.05
Kearney			\$20.56	
Lebanon			\$20.56	
Norborne	\$16.72			
Platte City			\$20.56	
Rolla				\$23.05
St. Robert			\$20.56	
Waynesville			\$20.56	
All Other Exchanges	\$17.55	\$19.23	\$21.58	\$24.20

ISSUED:
January 18, 2008

BY: Darlene N. Terry
Manager - Tariffs
5454 W. 110th Street
Overland Park, Kansas 66211

EFFECTIVE:
January 30, 2008

CANCELLED
February 1, 2009
Missouri Public
Service Commission
JI-2009-0528

FILED
Missouri Public
Service Commission

GENERAL EXCHANGE TARIFF

Embarq Missouri, Inc.
d/b/a Embarq

Fourteenth Revised Page 21
Cancels Thirteenth Revised Page 21

LOCAL EXCHANGE SERVICE RATE GROUPS

IX. LOCAL MEASURED SERVICE (LMS) (Cont'd)

- B. Offered in those Missouri exchanges where it is technologically and economically feasible.
- C. Rates and Charges

All monthly local exchange rates include Touch Tone Service.

RATE GROUPS

1. BUSINESS

I	II	III	IV
---	----	-----	----

One Party

Ferrelview			\$15.06	
Jefferson City				\$15.70
Kearney			\$15.06	
Lebanon			\$14.71	
Norborne	\$13.63			
Platte City			\$15.06	
Rolla				\$16.05
St. Robert			\$15.06	
Waynesville			\$15.06	
All Other Exchanges	\$13.57	\$14.19	\$15.03	\$16.05

(T)

(T)

(I)

Trunk

Ferrelview			\$20.56	
Jefferson City				\$23.05
Kearney			\$20.56	
Lebanon			\$20.56	
Norborne	\$16.72			
Platte City			\$20.56	
Rolla				\$23.05
St. Robert			\$20.56	
Waynesville			\$20.56	
All Other Exchanges	\$17.55	\$19.23	\$21.58	\$24.20

(T)

(T) (I)

(M)

(M) Material previously appearing on this page now appears on Original Page 21.0.1.

ISSUED:
December 3, 2007

BY: Darlene N. Terry
Manager - Tariffs
5454 W. 110th Street
Overland Park, Kansas 66211

EFFECTIVE:
January 30, 2008

P.S.C. MO.-No. 22 Section 16
 GENERAL EXCHANGE TARIFF

Embarq Missouri, Inc.
 d/b/a Embarq

Thirteenth Revised Page 21
 Cancels Twelfth Revised Page 21

LOCAL EXCHANGE SERVICE RATE GROUPS

IX. LOCAL MEASURED SERVICE (LMS) (Cont'd)

- B. Offered in those Missouri exchanges where it is technologically and economically feasible.
- C. Rates and Charges

All monthly local exchange rates include Touch Tone Service.

RATE GROUPS

1. BUSINESS

One Party

	<u>I</u>	<u>II</u>	<u>III</u>	<u>IV</u>
Ferrelview			\$15.06	
Kearney			\$15.06	
Norborne	\$13.63			
Platte City			\$15.06	
Rolla				\$16.05
St. Robert			\$15.06	
Waynesville			\$15.06	
All Other Exchanges	\$13.28	\$13.88	\$14.71	\$15.70

Trunk \$16.72 \$18.32 \$20.56 \$23.05

RESIDENCE

One Party

Buckner		\$10.45		
Ferrelview			\$10.90	
Jefferson City				\$11.35
Kearney			\$10.90	
Lake Lotawana		\$10.45		
Lebanon			\$10.90	
Norborne	\$10.15			
Oak Grove			\$10.90	
Odessa			\$10.90	
Platte City			\$10.90	
Pleasant Hill			\$10.90	
Rolla				\$11.35
Weston		\$10.45		
All Other Exchanges	\$10.17	\$10.47	\$10.92	\$11.37

Trunk \$ 7.85 \$ 8.53 \$ 9.39 \$10.49

(M) Material previously appearing on this page now appears on Original Page 21.1.

ISSUED:
 August 2, 2007

BY: Darlene N. Terry
 Manager - Tariffs
 5454 W. 110th Street
 Overland Park, Kansas 66211

EFFECTIVE:
 September 1, 2007

CANCELLED
 January 30, 2008
 Missouri Public
 Service Commission

FILED
 Missouri Public
 Service Commission

GENERAL EXCHANGE TARIFF

Embarq Missouri, Inc.
d/b/a Embarq

Twelfth Revised Page 21
Cancels Eleventh Revised Page 21

LOCAL EXCHANGE SERVICE RATE GROUPS

IX. LOCAL MEASURED SERVICE (LMS) (Cont'd)

- B. Offered in those Missouri exchanges where it is technologically and economically feasible.
- C. Rates and Charges

All monthly local exchange rates include Touch Tone Service.

1. <u>BUSINESS</u>	<u>RATE GROUPS</u>			
	<u>I</u>	<u>II</u>	<u>III</u>	<u>IV</u>
One Party				
Non-Competitive Exchanges	\$13.28	\$13.88	\$14.71	\$15.70
Competitive Exchanges				
Group A*	N/A	N/A	14.71	15.70
Group B*	13.63	N/A	15.06	16.05
Trunk	16.72	18.32	20.56	23.05

RESIDENCE

One Party					
Non-Competitive Exchanges	\$10.17	\$10.47	\$10.92	\$11.37	(l)
Competitive Exchanges					
Group A*	10.15	10.45	10.90	11.35	
Group B*	10.15	10.45	10.90	11.35	
Trunk	7.85	8.53	9.39	10.49	

- 2. Usage charges which consider frequency, duration, and time-of-day are in addition to the basic access line charge.
- 3. Rates for calls within the existing non-toll calling area.

a. <u>Distance</u>	<u>1st MOU</u>	<u>Add'l MOU</u>
Exchange	\$.04	\$.01
1-14 miles	.04	.01
15-28 miles	.05	.02
Over 28 miles	.06	.03

b. Time of Day Discounts

For calls placed in the below listed time periods, discounted charges will apply as described:

<u>TIME</u>	<u>PERCENT DISCOUNT</u>
Evening (5 p.m. - 11 p.m.)	20%
Night (11 p.m. - 8 a.m.)	35%
Weekend (8 a.m. Sat. - 5 p.m. Sun.)	35%

* Competitive Exchange Group classifications may vary between residence and business services. See Section 16.X, Page 23 for a complete listing of Competitive Exchanges.

ISSUED:
December 1, 2006

BY: Darlene N. Terry
Manager - Tariffs
5454 W. 110th Street
Overland Park, KS 66211

EFFECTIVE:
January 15, 2007

GENERAL EXCHANGE TARIFF

EMBARQ MISSOURI, INC.
d/b/a EMBARQ

Eleventh Revised Page 21
Cancels Tenth Revised Page 21

LOCAL EXCHANGE SERVICE RATE GROUPS

IX. LOCAL MEASURED SERVICE (LMS) (Cont'd)

B. Offered in those Missouri exchanges where it is technologically and economically feasible.

C. Rates and Charges

All monthly local exchange rates include Touch Tone Service.

1.	<u>BUSINESS</u>	<u>RATE GROUPS</u>				
		<u>I</u>	<u>II</u>	<u>III</u>	<u>IV</u>	
	One Party					
	Non-Competitive Exchanges	\$13.28	\$13.88	\$14.71	\$15.70	
	Competitive Exchanges					
	Group A*	N/A	N/A	\$14.71	\$15.70	(CT)
	Group B*	\$13.63	N/A	\$15.06	\$16.05	(CT)
	Trunk	\$16.72	\$18.32	\$20.56	\$23.05	

RESIDENCE

	One Party					
	Non-Competitive Exchanges	\$10.15	\$10.45	\$10.90	\$11.35	
	Competitive Exchanges					
	Group A*	\$10.15	\$10.45	\$10.90	\$11.35	(CT)
	Group B*	\$10.15	\$10.45	\$10.90	\$11.35	(CT)
	Trunk	\$ 7.85	\$ 8.53	\$ 9.39	\$10.49	

2. Usage charges which consider frequency, duration, and time-of-day are in addition to the basic access line charge.

3. Rates for calls within the existing non-toll calling area.

a.	<u>Distance</u>	<u>1st MOU</u>	<u>Add'l MOU</u>
	Exchange	\$.04	\$.01
	1-14 miles	.04	.01
	15-28 miles	.05	.02
	Over 28 miles	.06	.03

b. Time of Day Discounts

For calls placed in the below listed time periods, discounted charges will apply as described:

<u>TIME</u>	<u>PERCENT DISCOUNT</u>
Evening (5 p.m. - 11 p.m.)	20%
Night (11 p.m. - 8 a.m.)	35%
Weekend (8 a.m. Sat. - 5 p.m. Sun.)	35%

* **Competitive Exchange Group classifications may vary between residence and business services. See Section 16.X, Page 23 for a complete listing of Competitive Exchanges.** (AT)
(AT)

ISSUED:
June 29, 2006

BY: Chad Eckhart
Vice President – Regulatory Affairs
6450 Sprint Parkway
Overland Park, KS 66251

EFFECTIVE:
July 31, 2006

Cancelled
January 15, 2007
Missouri Public
Service Commission

IO-2006-0551

Filed
Missouri Public
Service Commission

GENERAL EXCHANGE TARIFF

SPRINT MISSOURI, INC.
d/b/a SPRINT

Tenth Revised Page 21
Cancels Ninth Revised Page 21

LOCAL EXCHANGE SERVICE RATE GROUPS

IX. LOCAL MEASURED SERVICE (LMS) (Cont'd)

- B. Offered in those Missouri exchanges where it is technologically and economically feasible.
- C. Rates and Charges

All monthly local exchange rates include Touch Tone Service.

1. <u>BUSINESS</u>	<u>RATE GROUPS</u>				
	<u>I</u>	<u>II</u>	<u>III</u>	<u>IV</u>	
One Party					
Non-Competitive Exchanges	\$13.28	\$13.88	\$14.71	\$15.70	
Competitive Exchanges					(CT)
Jefferson City	N/A	N/A	N/A	\$15.70	(N)
All Other Exchanges	\$13.63	N/A	\$15.06	\$16.05	(CT)
Trunk	\$16.72	\$18.32	\$20.56	\$23.05	

RESIDENCE

One Party					
Non-Competitive Exchanges	\$10.15	\$10.45	\$10.90	\$11.35	
Competitive Exchanges					(CT)
Jefferson City	N/A	N/A	N/A	\$11.35	(N)
All Other Exchanges	\$10.15	N/A	\$10.90	\$11.35	(CT)
Trunk	\$ 7.85	\$ 8.53	\$ 9.39	\$10.49	

- 2. Usage charges which consider frequency, duration, and time-of-day are in addition to the basic access line charge.
- 3. Rates for calls within the existing non-toll calling area.

a. <u>Distance</u>	<u>1st MOU</u>	<u>Add'l MOU</u>
Exchange	\$.04	\$.01
1-14 miles	.04	.01
15-28 miles	.05	.02
Over 28 miles	.06	.03

b. Time of Day Discounts

For calls placed in the below listed time periods, discounted charges will apply as described:

<u>TIME</u>	<u>PERCENT DISCOUNT</u>
Evening (5 p.m. - 11 p.m.)	20%
Night (11 p.m. - 8 a.m.)	35%
Weekend (8 a.m. Sat. - 5 p.m. Sun.)	35%

ISSUED:
March 31, 2006

BY: Chad Eckhart
Vice President – Regulatory Affairs
6450 Sprint Parkway
Overland Park, KS 66251

EFFECTIVE:
May 1, 2006

Cancelled

July 31, 2006
Missouri Public
Service Commission

TO-2006-0375

Filed

Missouri Public
Service Commission

GENERAL EXCHANGE TARIFF

SPRINT MISSOURI, INC.
d/b/a SPRINT

Ninth Revised Page 21
Cancels Eighth Revised Page 21

LOCAL EXCHANGE SERVICE RATE GROUPS

IX. LOCAL MEASURED SERVICE (LMS) (Cont'd)

B. Offered in those Missouri exchanges where it is technologically and economically feasible.

C. Rates and Charges

All monthly local exchange rates include Touch Tone Service.

1. BUSINESS

RATE GROUPS

	I	II	III	IV	
One Party					
Non-Competitive Exchanges	\$13.28	\$13.88	\$14.71	\$15.70	(R)
Competitive Exchanges	\$13.63	N/A	\$15.06	\$16.05	(CT)
					(D)
Trunk	\$16.72	\$18.32	\$20.56	\$23.05	(D)

RESIDENCE

One Party					
Non-Competitive Exchanges	\$10.15	\$10.45	\$10.90	\$11.35	(R)
Competitive Exchanges	\$10.15	N/A	\$10.90	\$11.35	(CT)
					(D)
Trunk	\$7.85	\$8.53	\$9.39	\$10.49	(D)

2. Usage charges which consider frequency, duration, and time-of-day are in addition to the basic access line charge.

3. Rates for calls within the existing non-toll calling area.

a. <u>Distance</u>	<u>1st MOU</u>	<u>Add'l MOU</u>
Exchange	\$.04	\$.01
1-14 miles	.04	.01
15-28 miles	.05	.02
Over 28 miles	.06	.03

b. Time of Day Discounts

For calls placed in the below listed time periods, discounted charges will apply as described:

<u>TIME</u>	<u>PERCENT DISCOUNT</u>
Evening (5 p.m. - 11 p.m.)	20%
Night (11 p.m. - 8 a.m.)	35%
Weekend (8 a.m. Sat. - 5 p.m. Sun.)	35%

ISSUED:
December 2, 2005

BY: Richard D. Lawson
State Executive, External Affairs
319 Madison
Jefferson City, MO 65101

EFFECTIVE:
January 18, 2006

Cancelled

GENERAL EXCHANGE TARIFF

SPRINT MISSOURI, INC.
d/b/a SPRINT

Eighth Revised Page 21
Cancels Seventh Revised Page 21

LOCAL EXCHANGE SERVICE RATE GROUPS

IX. LOCAL MEASURED SERVICE (LMS) (Cont'd)

B. Offered in those Missouri exchanges where it is technologically and economically feasible.

C. Rates and Charges

All monthly local exchange rates include Touch Tone Service.

1.	<u>BUSINESS</u>	<u>RATE GROUPS</u>				
		I	II	III	IV	
	One Party					
	Non-Competitive Exchanges	\$13.63	\$14.23	\$15.06	\$16.05	(R) (CT)
	Competitive Exchanges					
	Norborne	\$13.63				
	Kearney			\$15.06		
	Rolla				\$16.05	
	Trunk	\$16.72	\$18.32	\$20.56	\$23.05	(R) (CT)

RESIDENCE

	One Party					
	Non-Competitive Exchanges	\$10.40	\$10.70	\$11.15	\$11.60	(R) (CT)
	Competitive Exchanges					
	Norborne	\$10.40				
	Kearney			\$11.15		
	Rolla				\$11.60	
	Trunk	\$7.85	\$8.53	\$9.39	\$10.49	(R) (CT)

2. Usage charges which consider frequency, duration, and time-of-day are in addition to the basic access line charge.

3. Rates for calls within the existing non-toll calling area.

a.	<u>Distance</u>	<u>1st MOU</u>	<u>Add'l MOU</u>
	Exchange	\$.04	\$.01
	1-14 miles	.04	.01
	15-28 miles	.05	.02
	Over 28 miles	.06	.03

CANCELLED

January 18, 2006

**MISSOURI PUBLIC
SERVICE COMMISSION**

b. Time of Day Discounts

For calls placed in the below listed time periods, discounted charges will apply as described:

<u>TIME</u>	<u>PERCENT DISCOUNT</u>
Evening (5 p.m. - 11 p.m.)	20%
Night (11 p.m. - 8 a.m.)	35%
Weekend (8 a.m. Sat. - 5 p.m. Sun.)	35%

ISSUED:
December 3, 2004

BY: Richard D. Lawson
State Executive, External Affairs
319 Madison
Jefferson City, MO 65101

EFFECTIVE:
January 18, 2005

REC'D OCT 31 2003

P.S.C. MO.-No. 22 Section 16

GENERAL EXCHANGE TARIFF

Service Commission

SPRINT MISSOURI, INC.
d/b/a SPRINT

Seventh Revised Page 21
Cancels Sixth Revised Page 21

LOCAL EXCHANGE SERVICE RATE GROUPS

IX. LOCAL MEASURED SERVICE (LMS) (Cont'd)

- B. Offered in those Missouri exchanges where it is technologically and economically feasible.
- C. Rates and Charges

All monthly local exchange rates include Touch Tone Service.

1. <u>BUSINESS</u>	<u>RATE GROUPS</u>				
	I	II	III	IV	
One-Party	\$13.92	\$14.52	\$15.35	\$16.34	(R)
Trunk	\$16.72	\$18.32	\$20.56	\$23.05	(I)
<u>RESIDENCE</u>					
One-Party	\$10.58	\$10.88	\$11.35	\$11.79	(R)
Trunk	\$7.85	\$8.53	\$9.39	\$10.49	(I)

2. Usage charges which consider frequency, duration, and time-of-day are in addition to the basic access line charge.

3. Rates for calls within the existing non-toll calling area.

a. <u>Distance</u>	<u>1st MOU</u>	<u>Add'l MOU</u>
Exchange	\$.04	\$.01
1-14 miles	.04	.01
15-28 miles	.05	.02
Over 28 miles	.06	.03

b. Time of Day Discounts

For calls placed in the below listed time periods, discounted charges will apply as described:

<u>TIME</u>	<u>PERCENT DISCOUNT</u>
Evening (5 p.m. - 11 p.m.)	20%
Night (11 p.m. - 8 a.m.)	35%
Weekend (8 a.m. Sat. - 5 p.m. Sun.)	35%

CANCELLED

JAN 18 2005
By *JHR*
Public Service Commission
MISSOURI

ISSUED:
October 31, 2003

BY: Richard D. Lawson
State Executive, External Affairs
319 Madison
Jefferson City, MO 65101

EFFECTIVE:


Missouri Public Service Commission
17-2004-0225
FILED JAN 17 2004

REC'D SEP 02 2003

P.S.C. MO.-No. 22 Section 16

GENERAL EXCHANGE TARIFF

Service Commission

Sixth Revised Page 21

Cancels Fifth Revised Page 21

SPRINT MISSOURI, INC.
d/b/a SPRINT

LOCAL EXCHANGE SERVICE RATE GROUPS

IX. LOCAL MEASURED SERVICE (LMS) (Cont'd)

B. Offered in those Missouri exchanges where it is technologically and economically feasible.

C. Rates and Charges

All monthly local exchange rates include Touch Tone Service.

1. BUSINESS

RATE GROUPS

	I	II	III	IV	
One-Party	\$13.93	\$14.53	\$15.36	\$16.35	(1)
Trunk	\$15.49	\$16.97	\$19.04	\$21.35	

RESIDENCE

One-Party	\$10.59	\$10.89	\$11.36	\$11.80	(1)
Trunk	\$7.27	\$7.90	\$8.70	\$9.72	

2. Usage charges which consider frequency, duration, and time-of-day are in addition to the basic access line charge.

3. Rates for calls within the existing non-toll calling area.

a. <u>Distance</u>	<u>1st MOU</u>	<u>Add'l MOU</u>
Exchange	\$.04	\$.01
1-14 miles	.04	.01
15-28 miles	.05	.02
Over 28 miles	.06	.03

CANCELLED

JAN 17 2004

By *7thms21*
Public Service Commission
MISSOURI

b. Time of Day Discounts

For calls placed in the below listed time periods, discounted charges will apply as described:

<u>TIME</u>	<u>PERCENT DISCOUNT</u>
Evening (5 p.m. - 11 p.m.)	20%
Night (11 p.m. - 8 a.m.)	35%
Weekend (8 a.m. Sat. - 5 p.m. Sun.)	35%

ISSUED:
August 29, 2003

Richard D. Lawson
State Executive, External Affairs
319 Madison
Jefferson City, MO 65101

EFFECTIVE:
December 18, 2003

Missouri Public
Service Commission
IT-04-134
FILED DEC 18 2003

REC'D OCT 25 2002

GENERAL EXCHANGE TARIFF

SPRINT MISSOURI, INC.
d/b/a SPRINT

Service Commission
Fifth Revised Page 21
Cancels Fourth Revised Page 21

LOCAL EXCHANGE SERVICE RATE GROUPS

IX. LOCAL MEASURED SERVICE (LMS) (Cont'd)

B. Offered in those Missouri exchanges where it is technologically and economically feasible.

C. Rates and Charges

All monthly local exchange rates include Touch Tone Service.

1. BUSINESS

RATE GROUPS

	I	II	III	IV	
One-Party	\$ 12.43	\$ 13.03	\$ 13.86	\$ 14.85	(1)
Trunk	\$ 15.49	\$ 16.97	\$ 19.04	\$ 21.35	(1)

RESIDENCE

One-Party	\$ 9.09	\$ 9.39	\$ 9.86	\$ 10.30	(1)
Trunk	\$ 7.27	\$ 7.90	\$ 8.70	\$ 9.72	(1)

2. Usage charges which consider frequency, duration, and time-of-day are in addition to the basic access line charge.

3. Rates for calls within the existing non-toll calling area.

a. <u>Distance</u>	<u>1st MOU</u>	<u>Add'l MOU</u>
Exchange	\$.04	\$.01
1-14 miles	.04	.01
15-28 miles	.05	.02
Over 28 miles	.06	.03

b. Time of Day Discounts

For calls placed in the below listed time periods, discounted charges will apply as described:

<u>TIME</u>	<u>PERCENT DISCOUNT</u>
Evening (5 p.m. - 11 p.m.)	20%
Night (11 p.m. - 8 a.m.)	35%
Weekend (8 a.m. Sat. - 5 p.m. Sun.)	35%

CANCELLED

DEC 18 2003

by *John RS 21*
Public Service Commission
MISSOURI

Missouri Public
Service Commission

IT-03-0146
FILED DEC 18 2002

ISSUED:
October 25, 2002

BY: Richard D. Lawson
State Executive, External Affairs
319 Madison
Jefferson City, MO 65101

EFFECTIVE:
December 11, 2002

DEC 18 2002

REC'D DEC 27 2001

SPRINT MISSOURI, INC.
d/b/a SPRINT

Fourth Revised Page 21
Cancels Third Revised Page 21

LOCAL EXCHANGE SERVICE RATE GROUPS

IX. LOCAL MEASURED SERVICE (LMS) (Cont'd)

(CT)

B. Offered in those Missouri exchanges where it is technologically and economically feasible.

C. Rates and Charges

All monthly local exchange rates include Touch Tone Service.

1. BUSINESS

RATE GROUPS

	I	II	III	IV
One-Party	\$ 10.93	\$ 11.53	\$ 12.36	\$ 13.35
Trunk	\$ 14.35	\$ 15.72	\$ 17.63	\$ 19.77

RESIDENCE

One-Party	\$ 7.59	\$ 7.89	\$ 8.36	\$ 8.80
Trunk	\$ 6.74	\$ 7.32	\$ 8.06	\$ 9.00

2. Usage charges which consider frequency, duration, and time-of-day are in addition to the basic access line charge.

3. Rates for calls within the existing non-toll calling area.

a. <u>Distance</u>	<u>1st MOU</u>	<u>Add'l MOU</u>
Exchange	\$.04	\$.01
1-14 miles	.04	.01
15-28 miles	.05	.02
Over 28 miles	.06	.03

CANCELLED

DEC 18 2002
By *5th RSD*
Public Service Commission
MISSOURI

b. Time of Day Discounts

For calls placed in the below listed time periods, discounted charges will apply as described:

<u>TIME</u>	<u>PERCENT DISCOUNT</u>
Evening (5 p.m. - 11 p.m.)	20%
Night (11 p.m. - 8 a.m.)	35%
Weekend (8 a.m. Sat. - 5 p.m. Sun.)	35%

ISSUED:
December 27, 2001

BY: Richard D. Lawson
State Executive, External Affairs
319 Madison
Jefferson City, MO 65101

EFFECTIVE:
January 26, 2002

Missouri Public

FILED JAN 26 2002

Service Commission

REC'D OCT 26 2001

GENERAL EXCHANGE TARIFF

Service Commission

Third Revised Page 21

Cancels Second Revised Page 21

SPRINT MISSOURI, INC.
d/b/a SPRINT

LOCAL EXCHANGE SERVICE RATE GROUPS

XI. LOCAL MEASURED SERVICE (LMS) (Cont'd)

B. Offered in those Missouri exchanges where it is technologically and economically feasible.

C. Rates and Charges

CANCELLED

All monthly local exchange rates include Touch Tone Service.

JAN 26 2002
By *4WRP21*
Public Service Commission
MISSOURI

1. BUSINESS

RATE GROUPS

	I	II	III		
One-Party	\$ 10.93	\$ 11.53	\$ 12.36	\$ 13.35	(CR)
Trunk	\$ 14.35	\$ 15.72	\$ 17.63	\$ 19.77	(CR)

RESIDENCE

One-Party	\$ 7.59	\$ 7.89	\$ 8.36	\$ 8.80	(CR)
Trunk	\$ 6.74	\$ 7.32	\$ 8.06	\$ 9.00	(CR)

2. Usage charges which consider frequency, duration, and time-of-day are in addition to the basic access line charge.

3. Rates for calls within the existing non-toll calling area.

a. <u>Distance</u>	<u>1st MOU</u>	<u>Add'l MOU</u>
Exchange	\$.04	\$.01
1-14 miles	.04	.01
15-28 miles	.05	.02
Over 28 miles	.06	.03

b. Time of Day Discounts

For calls placed in the below listed time periods, discounted charges will apply as described:

<u>TIME</u>	<u>PERCENT DISCOUNT</u>
Evening (5 p.m. - 11 p.m.)	20%
Night (11 p.m. - 8 a.m.)	35%
Weekend (8 a.m. Sat. - 5 p.m. Sun.)	35%

ISSUED:
October 26, 2001

BY: Richard D. Lawson
State Executive, External Affairs
319 Madison
Jefferson City, MO 65101

EFFECTIVE:
December 11, 2001
Missouri Public

FILED DEC 11 2001
02-251
Service Commission

GENERAL EXCHANGE TARIFF

SPRINT MISSOURI, INC.
d/b/a SPRINT

Second Revised Page 21
Cancels First Revised Page 21

LOCAL EXCHANGE SERVICE RATE GROUPS Missouri Public

XI. LOCAL MEASURED SERVICE (LMS) (Cont'd)

REC'D AUG 17 2001

B. Offered in those Missouri exchanges where it is technologically and economically feasible.

C. Rates and Charges

Service Commission

All monthly local exchange rates include Touch Tone Service.

(AT)

1. BUSINESS

RATE GROUPS

	I	II	III	IV
One-Party	\$ 9.58	\$10.18	\$11.01	\$12.00
Trunk	\$12.31	\$13.49	\$15.12	\$16.96

RESIDENCE

One-Party	\$ 6.18	\$ 6.48	\$ 6.95	\$ 7.39
Trunk	\$ 6.74	\$ 7.32	\$ 8.06	\$ 9.00

2. Usage charges which consider frequency, duration, and time-of-day are in addition to the basic access line charge.

3. Rates for calls within the existing non-toll calling area.

a. Distance	1st MOU	Add'l MOU
Exchange	\$.04	\$.01
1-14 miles	.04	.01
15-28 miles	.05	.02
Over 28 miles	.06	.03

CANCELLED

DEC 11 2001
By 3rd RPJ
Public Service Commission
MISSOURI

b. Time of Day Discounts

For calls placed in the below listed time periods, discounted charges will apply as described:

TIME	PERCENT DISCOUNT
Evening (5 p.m. - 11 p.m.)	20%
Night (11 p.m. - 8 a.m.)	35%
Weekend (8 a.m. Sat. - 5 p.m. Sun.)	35%

Missouri Public
FILED SEP 17 2001

Service Commission

ISSUED:
August 17, 2001

BY: Richard D. Lawson
State Executive, External Affairs
319 Madison
Jefferson City, MO 65101

EFFECTIVE:
September 17, 2001

GENERAL EXCHANGE TARIFF

SPRINT MISSOURI, INC.
d/b/a SPRINT

First Revised Page 21
Cancels Original Page 21

LOCAL EXCHANGE SERVICE RATE GROUPS

Missouri Public
Service Commission

XI. LOCAL MEASURED SERVICE (LMS) (Cont'd)

REC'D OCT 27 2000

- B. Offered in those Missouri exchanges where it is technologically and economically feasible.
- C. Rates and Charges

1. <u>BUSINESS</u>	<u>RATE GROUPS</u>				(CR) (DT)
	<u>I</u>	<u>II</u>	<u>III</u>	<u>IV</u>	(DT)
<u>One-Party</u>	\$ 9.58	\$10.18	\$11.01	\$12.00	
<u>Trunk</u>	\$12.31	\$13.49	\$15.12	\$16.96	
 <u>RESIDENCE</u>					
<u>One-Party</u>	\$ 6.18	\$ 6.48	\$ 6.95	\$ 7.39	
<u>Trunk</u>	\$ 6.74	\$ 7.32	\$ 8.06	\$ 9.00	(CR)

- 2. Usage charges which consider frequency, duration, and time-of-day are in addition to the basic access line charge.
- 3. Rates for calls within the existing non-toll calling area.

a. <u>Distance</u>	<u>1st MOU</u>	<u>Add'l MOU</u>
Exchange	\$.04	\$.01
1-14 miles	.04	.01
15-28 miles	.05	.02
Over 28 miles	.06	.03

CANCELLED

SEP 17 2001
By: [Signature] #21
Public Service Commission
MISSOURI

b. Time of Day Discounts

For calls placed in the below listed time periods, discounted charges will apply as described:

<u>TIME</u>	<u>PERCENT DISCOUNT</u>
Evening (5 p.m. - 11 p.m.)	20%
Night (11 p.m. - 8 a.m.)	35%
Weekend (8 a.m. Sat. - 5 p.m. Sun.)	35%

Missouri Public
Service Commission
FILED DEC 11 2000

ISSUED:
October 27, 2000

BY: Richard D. Lawson
State Executive, External Affairs
319 Madison
Jefferson City, MO 65101

EFFECTIVE:
December 11, 2000

UNITED TELEPHONE COMPANY
OF MISSOURI

GENERAL EXCHANGE TARIFF

Original Page 21

SEP 17 1992

LOCAL EXCHANGE SERVICE RATE GROUPS

XI. LOCAL MEASURED SERVICE (LMS) (Cont'd)

PUBLIC SERVICE COMMISSION

B. Offered in those Missouri exchanges where it is technologically and economically feasible.

C. Rates and Charges

1. Basic access line rates will be 55 percent of the individual residence or business line or trunk rate. Customers outside the base rate area are charged any applicable zone charges. Zone charges are not subject to discount.

2. Usage charges which consider frequency, duration, and time-of-day are in addition to the basic access line charge.

3. Rates for calls within the existing non-toll calling area.

a. <u>Distance</u>	<u>1st MOU</u>	<u>Add'l MOU</u>
Exchange	\$.04	\$.01
1-14 miles	.04	.01
15-28 miles	.05	.02
Over 28 miles	.06	.03

b. Time of Day Discounts

For calls placed in the below listed time periods, discounted charges will apply as described:

<u>TIME</u>	<u>PERCENT DISCOUNT</u>
Evening (5 p.m. - 11 p.m.)	20%
Night (11 p.m. - 8 a.m.)	35%
Weekend (8 a.m. Sat. - 5 p.m. Sun.)	35%

CANCELLED

DEC 11 2000
1st R P 21
Public Service Commission
MISSOURI

FILED
NOV 7 1992

MO. PUBLIC SERVICE COMM.

ISSUED:
September 17, 1992

BY: John L. Roe
Vice President - Administration
5454 West 110th Street
Overland Park, Kansas 66211

EFFECTIVE:
~~October 17, 1992~~
NOV 7 1992

P.S.C. MO.-No. 22 Section 16
GENERAL EXCHANGE TARIFF

Embarq Missouri, Inc.
d/b/a Embarq

Third Revised Page 21.0.1
Cancels Second Revised Page 21.0.1

LOCAL EXCHANGE **SERVICE**

(C)

Reserved for Future Filing

(M)

(N)

(M)

(D)

(D)

(M) Material previously found on this page now appears on Seventh Revised Page 9.

ISSUED:
January 20, 2009

BY: Darlene N. Terry
Manager - Tariffs
5454 W. 110th Street
Overland Park, Kansas 66211

EFFECTIVE:
February 1, 2009

CANCELLED
September 29, 2014
Missouri Public
Service Commission
JI-2015-0056

FILED
Missouri Public
Service Commission
JI-2009-0528

P.S.C. MO.-No. 22 Section 16
 GENERAL EXCHANGE TARIFF

Embarq Missouri, Inc.
 d/b/a Embarq

Second Revised Page 21.0.1
 Cancels First Revised Page 21.0.1

LOCAL EXCHANGE SERVICE RATE GROUPS

IX. LOCAL MEASURED SERVICE (LMS) (Cont'd)

C. Rates and Charges

All monthly local exchange rates include Touch Tone Service.

RATE GROUPS

I II III IV

1. (Cont'd)

RESIDENCE

One Party

Buckner		\$14.00		
Ferrelview			\$16.00	
Ft. Leonardwood			\$16.00	
Jefferson City				\$16.00
Kearney			\$15.00	
Lake Lotawana		\$14.00		
Lebanon			\$15.00	
Norborne	\$14.00			
Oak Grove			\$15.00	
Odessa			\$15.00	
Platte City			\$15.00	
Pleasant Hill			\$15.00	
Rolla				\$16.00
St. Robert			\$16.00	
Waynesville			\$16.00	
Weston		\$14.00		
All Other Exchanges	\$10.39	\$10.70	\$11.16	\$11.62

(D)

(D)

ISSUED:
 February 27, 2008

BY: Darlene N. Terry
 Manager - Tariffs
 5454 W. 110th Street
 Overland Park, Kansas 66211

EFFECTIVE:
 March 28, 2008

CANCELLED
 February 1, 2009
 Missouri Public
 Service Commission
 JI-2009-0528

FILED
 Missouri Public
 Service Commission

P.S.C. MO.-No. 22 Section 16
 GENERAL EXCHANGE TARIFF

Embarq Missouri, Inc.
 d/b/a Embarq

First Revised Page 21.0.1
 Cancels Original Page 21.0.1

LOCAL EXCHANGE SERVICE RATE GROUPS

IX. LOCAL MEASURED SERVICE (LMS) (Cont'd)

C. Rates and Charges

All monthly local exchange rates include Touch Tone Service.

RATE GROUPS

I II III IV

1. (Cont'd)

RESIDENCE

One Party

Buckner		\$14.00		
Ferrelview			\$16.00	
Ft. Leonardwood			\$16.00	
Jefferson City				\$16.00
Kearney			\$15.00	
Lake Lotawana		\$14.00		
Lebanon			\$15.00	
Norborne	\$14.00			
Oak Grove			\$15.00	
Odessa			\$15.00	
Platte City			\$15.00	
Pleasant Hill			\$15.00	
Rolla				\$16.00
St. Robert			\$16.00	
Waynesville			\$16.00	
Weston		\$14.00		
All Other Exchanges	\$10.39	\$10.70	\$11.16	\$11.62

(I)
 (T)
 (T)
 (T)
 (I)

Trunk

Buckner		\$8.53		
Ferrelview			\$9.39	
Jefferson City				\$10.49
Kearney			\$9.39	
Lake Lotawana		\$8.53		
Lebanon			\$9.39	
Norborne	\$7.85			
Oak Grove			\$9.39	
Odessa			\$9.39	
Platte City			\$9.39	
Pleasant Hill			\$9.39	
Rolla				\$10.49
Weston		\$8.53		
All Other Exchanges	\$8.24	\$8.95	\$9.85	\$11.01

ISSUED:
 January 18, 2008

BY: Darlene N. Terry
 Manager - Tariffs
 5454 W. 110th Street
 Overland Park, Kansas 66211

EFFECTIVE:
 January 30, 2008

P.S.C. MO.-No. 22 Section 16
 GENERAL EXCHANGE TARIFF

Embarq Missouri, Inc.
 d/b/a Embarq

Original Page 21.0.1

LOCAL EXCHANGE SERVICE RATE GROUPS

IX. LOCAL MEASURED SERVICE (LMS) (Cont'd)

C. Rates and Charges

All monthly local exchange rates include Touch Tone Service.

RATE GROUPS

I II III IV

1. (Cont'd)

RESIDENCE

One Party

Buckner		\$10.45		
Ferrelview			\$10.90	
Jefferson City				\$11.35
Kearney			\$10.90	
Lake Lotawana		\$10.45		
Lebanon			\$10.92	
Norborne	\$10.15			
Oak Grove			\$10.90	
Odessa			\$10.90	
Platte City			\$10.90	
Pleasant Hill			\$10.90	
Rolla				\$11.35
Weston		\$10.45		
All Other Exchanges	\$10.39	\$10.70	\$11.16	\$11.62

Trunk

Buckner		\$8.53		
Ferrelview			\$9.39	
Jefferson City				\$10.49
Kearney			\$9.39	
Lake Lotawana		\$8.53		
Lebanon			\$9.39	
Norborne	\$7.85			
Oak Grove			\$9.39	
Odessa			\$9.39	
Platte City			\$9.39	
Pleasant Hill			\$9.39	
Rolla				\$10.49
Weston		\$8.53		
All Other Exchanges	\$8.24	\$8.95	\$9.85	\$11.01

(M)

(T)

(I)

(T)

(M)(T)(I)

(M) Material now appearing on this page previously appeared on Thirteenth Revised Page 21.

ISSUED:
 December 3, 2007

BY: Darlene N. Terry
 Manager - Tariffs
 5454 W. 110th Street
 Overland Park, Kansas 66211

EFFECTIVE:
 January 30, 2008

CANCELLED
 January 30, 2008
 Missouri Public
 Service Commission

FILED
 Missouri Public
 Service Commission

P.S.C. MO.-No. 22 Section 16
GENERAL EXCHANGE TARIFF

Embarq Missouri, Inc.
d/b/a CenturyLink

Second Revised Page 21.1
Cancels First Revised Page 21.1

LOCAL EXCHANGE SERVICE

IX. CENTURYLINK LINE VOLUME PLAN (CLVP) (Continued)

4. Application of Rates

- f. If, at any time during an auto-renewal period(s), Customer's total number of qualifying services fall below the minimum number of lines required to receive the CLVP discounted rates, the lines/trunks will no longer qualify for CLVP rates and will be charged at the prevailing non-contractual monthly rates for business individual lines and/or key lines/trunks, including lines/trunks in a hunting arrangement (a.k.a. rotary line service or rotary access service), as specified in CenturyLink tariffs, guidebooks, schedules, and/or other local terms of service documents. Lines/trunks reverted to non-contractual monthly rates will no longer qualify for the CLVP Feature Package rate, and features associated with those lines will be charged at the prevailing non-contractual monthly ala carte feature rates. Early termination liability charges will not apply for any lines disconnected or reverted to monthly rates after expiration of the initial term commitment period.
- g. The CLVP Feature Package rate applies in addition to the Flat Rate Business Service rate. When applicable, the Flat Rate Business Service and CLVP Feature Package will appear as a single line item on the customer's bill.

(N)

(N)

ISSUED:
August 29, 2014

By: Darlene N. Terry
Manager - Tariffs
5454 West 110th Street
Overland Park, KS 66211

EFFECTIVE:
September 29, 2014

MO 14-07

GENERAL EXCHANGE TARIFF

Embarq Missouri, Inc.
d/b/a Embarq

First Revised Page 21.1
Cancels Original Page 21.1

LOCAL EXCHANGE **SERVICE**

(C)

Reserved for Future Filing

(M)
(N)

(M)

(M) Material previously found on this page now appears on Tenth Revised Page 11.

ISSUED:
January 20, 2009

CANCELLED
September 29, 2014
Missouri Public
Service Commission
JI-2015-0056

BY: Darlene N. Terry
Manager - Tariffs
5454 W. 110th Street
Overland Park, Kansas 66211

EFFECTIVE:
February 1, 2009

FILED
Missouri Public
Service Commission
JI-2009-0528

GENERAL EXCHANGE TARIFF

Embarq Missouri, Inc.
d/b/a Embarq

Original Page 21.1

LOCAL EXCHANGE SERVICE RATE GROUPS

IX. LOCAL MEASURED SERVICE (LMS) (Cont'd)

C. Rates and Charges (Cont'd)

- 2. Usage charges which consider frequency, duration, and time-of-day are in addition to the basic access line charge.
- 3. Rates for calls within the existing non-toll calling area.

a.	<u>Distance</u>	<u>1st MOU</u>	<u>Add'l MOU</u>
	Exchange	\$.04	\$.01
	1-14 miles	.04	.01
	15-28 miles	.05	.02
	Over 28 miles	.06	.03

b. Time of Day Discounts

For calls placed in the below listed time periods, discounted charges will apply as described:

<u>TIME</u>	<u>PERCENT DISCOUNT</u>
Evening (5 p.m. - 11 p.m.)	20%
Night (11 p.m. - 8 a.m.)	35%
Weekend (8 a.m. Sat. - 5 p.m. Sun.)	35%

(M)

(M)

(M) Material now appearing on this page previously appeared on Twelfth Revised Page 21.

ISSUED:
August 2, 2007

BY: Darlene N. Terry
Manager - Tariffs
5454 W. 110th Street
Overland Park, Kansas 66211

EFFECTIVE:
September 1, 2007

CANCELLED
February 1, 2009
Missouri Public
Service Commission
JI-2009-0528

FILED
Missouri Public
Service Commission

GENERAL EXCHANGE TARIFF

Embarq Missouri, Inc.
d/b/a CenturyLink

Third Revised Page 22
Cancels Second Revised Page 22

LOCAL EXCHANGE SERVICE

IX. CENTURYLINK LINE VOLUME PLAN (CLVP) (Continued)

(N)

5. Rates

- a. Flat Rate Business Service, per Individual Line, Key Line, and/or Key Trunk, per month ^[1]

Number of Lines (Tier)/Minimum Line Requirement	Two Year Term	Three - Five Year Terms
10 - 49	\$22.99	\$21.99
50 - 499	21.99	20.99
500 - 999	20.99	19.99
1000 - 3000	19.99	18.99

- b. Optional Services

LVP Feature Package, per line/ trunk, per month

Number of Lines (Tier)/Minimum Line Requirement	Two Year Term	Three - Five Year Terms
10 - 49	\$8.00	\$6.00
50 - 499	8.00	6.00
500 - 999	8.00	6.00
1000 - 3000	8.00	6.00

(N)

^[1] Touch calling service, Trunk Hunting and Extended Area Service, where applicable, are included in these rates.

(N)
(N)

ISSUED:
August 29, 2014

By: Darlene N. Terry
Manager - Tariffs
5454 West 110th Street
Overland Park, KS 66211

EFFECTIVE:
September 29, 2014

GENERAL EXCHANGE TARIFF

**Embarq Missouri, Inc.
d/b/a Embarq**

Second Revised Page 22 (C)
Cancels First Revised Page 22 (C)

LOCAL EXCHANGE **SERVICE**

(C)

Reserved for Future Filing

(M)
(N)

(M)

(M) Material previously found on this page now appears on Tenth Revised Page 11.

ISSUED:
January 20, 2009

BY: Darlene N. Terry
Manager - Tariffs
5454 W. 110th Street
Overland Park, Kansas 66211

EFFECTIVE:
February 1, 2009

CANCELLED
September 29, 2014
Missouri Public
Service Commission
JI-2015-0056

FILED
Missouri Public
Service Commission
JI-2009-0528

P.S.C. MO.-No. 22 Section 16
GENERAL EXCHANGE TARIFF

SPRINT MISSOURI, INC.
d/b/a SPRINT

First Revised Page 22
Cancels Original Page 22

LOCAL EXCHANGE SERVICE RATE GROUPS

IX. LOCAL MEASURED SERVICE (LMS) (Cont'd) (CT)

C. Rates and Charges (Cont'd)

3. (Cont'd)

c. Additional charges

The following charges are in addition to the basic usage charge.

Detail billing showing all calls placed from customer, per call (optional)	.03
--	-----

ISSUED:
December 27, 2001

BY: Richard D. Lawson
State Executive, External Affairs
319 Madison
Jefferson City, MO 65101

EFFECTIVE:
January 26, 2002

CANCELLED
February 1, 2009
Missouri Public
Service Commission
JI-2009-0528

Filed
Missouri Public
Service Commission

UNITED TELEPHONE COMPANY
OF MISSOURI

GENERAL EXCHANGE TARIFF

Original page 22

LOCAL EXCHANGE SERVICE RATE GROUPS

RECEIVED

SEP 17 1992

XI. LOCAL MEASURED SERVICE (LMS) (Cont'd)

MISSOURI
Public Service Commission

C. Rates and Charges (Cont'd)

3. (Cont'd)

c. Additional charges

The following charges are in addition to the basic usage charge.

Detail billing showing all calls placed from customer, per call (optional) .03

CANCELLED

JAN 26 2002
Public Service Commission
MISSOURI

FILED

NOV 7 1992

MO. PUBLIC SERVICE COMM.

EFFECTIVE:

~~September 17, 1992~~

NOV 7 1992

ISSUED:
September 17, 1992

BY: John L. Roe
Vice President - Administration
5454 West 110th Street
Overland Park, Kansas 66211

GENERAL EXCHANGE TARIFF

Embarq Missouri, Inc.
d/b/a Embarq

Thirteenth Revised Page 23
Cancels Twelfth Revised Page 23

LOCAL EXCHANGE **SERVICE**

(C)

Reserved for Future Filing

(M)
(N)

(M)

(M) Material previously found on this page now appears on Sixteenth Revised Page 12.

ISSUED:
January 20, 2009

BY: Darlene N. Terry
Manager - Tariffs
5454 W. 110th Street
Overland Park, Kansas 66211

EFFECTIVE:
February 1, 2009

GENERAL EXCHANGE TARIFF

Embarq Missouri, Inc.
d/b/a Embarq

Twelfth Revised Page 23
Cancels Eleventh Revised Page 23

LOCAL EXCHANGE SERVICE RATE GROUPS

X. COMPETITIVE EXCHANGES

The following exchanges are classified as competitive:

A. Residence

Appleton City ⁽⁹⁾	Eugene ⁽⁹⁾	Lexington ⁽⁹⁾	Russellville ⁽⁹⁾	(N)
Blackburn ⁽⁹⁾	Fairfax ⁽⁹⁾	Lincoln ⁽⁹⁾	St. Robert ⁽⁶⁾	
Blairstown ⁽⁹⁾	Ferrelview ⁽²⁾	Lone Jack ⁽⁸⁾	St. Thomas ⁽⁹⁾	
Brazito ⁽⁹⁾	Ft. Leonard Wood ⁽⁶⁾	Malta Bend ⁽⁹⁾	Salem ⁽⁷⁾	
Buckner ⁽⁴⁾	Green Ridge ⁽⁹⁾	Maryville ⁽⁹⁾	Smithton ⁽⁹⁾	
Butler ⁽⁹⁾	Hardin ⁽⁹⁾	Missouri City ⁽⁹⁾	Strasburg ⁽⁹⁾	
Calhoun ⁽⁹⁾	Harrisonville ⁽⁹⁾	Montrose ⁽⁹⁾	Sweet Springs ⁽⁹⁾	
California ⁽⁹⁾	Henrietta ⁽⁹⁾	Mound City ⁽⁹⁾	Syracuse ⁽⁹⁾	
Camden Point ⁽⁹⁾	Holden ⁽⁹⁾	New Bloomfield ⁽⁹⁾	Taos ⁽⁹⁾	
Centertown ⁽⁹⁾	Holt ⁽⁹⁾	Newburg ⁽⁹⁾	Tarkio ⁽⁹⁾	
Centerview ⁽⁹⁾	Hopkins* ⁽⁹⁾	Norborne ⁽¹⁾	Tipton ⁽⁹⁾	
Chilhowee ⁽⁹⁾	Houstonia ⁽⁹⁾	Oak Grove ⁽⁴⁾	Urich ⁽⁹⁾	
Clarksburg ⁽⁹⁾	Ionia ⁽⁹⁾	Odessa ⁽⁴⁾	Warrensburg ⁽⁹⁾	
Clinton ⁽⁹⁾	Jefferson City ⁽³⁾	Orrick ⁽⁹⁾	Warsaw ⁽⁹⁾	
Coal ⁽⁹⁾	Kearney ⁽¹⁾	Otterville ⁽⁹⁾	Waverly ⁽⁹⁾	
Cole Camp ⁽⁹⁾	King City ⁽⁹⁾	Pickering ⁽⁹⁾	Waynesville ⁽⁶⁾	
Craig ⁽⁹⁾	Kingsville ⁽⁹⁾	Platte City ⁽²⁾	Wellington ⁽⁹⁾	
Dearborn ⁽⁹⁾	Lake Lotawana ⁽⁴⁾	Pleasant Hill ⁽⁴⁾	Weston ⁽²⁾	
Deepwater ⁽⁹⁾	Lebanon ⁽⁵⁾	Richland ⁽⁹⁾	Windsor ⁽⁹⁾	
Edgerton ⁽⁹⁾	Leeton ⁽⁹⁾	Rolla ⁽¹⁾		

All services in competitive exchanges are eligible for exchange-specific pricing. When exchange-specific rates do apply, those competitive exchanges with rates that differ from those of non-competitive exchanges will be listed for that given service. It is therefore possible for the competitive exchange listings to vary by service.

- (1) Competitive Service Classification pursuant to MO PSC Order of December 4, 2003, in Case No. IO-2003-0281.
- (2) Competitive Service Classification pursuant to Case No. IO-2006-0092, effective August 28, 2005.
- (3) Competitive Service Classification pursuant to Case No. TO-2006-0375, effective May 1, 2006.
- (4) Competitive Service Classification pursuant to Case No. IO-2006-0551, effective July 31, 2006.
- (5) Competitive Service Classification pursuant to Case No. TO-2008-0028, effective August 30, 2007.
- (6) Competitive Service Classification pursuant to Case No. TO-2008-0147, effective December 6, 2007.
- (7) Competitive Service Classification pursuant to Case No. TO-2008-0380, effective July 3, 2008.
- (8) Competitive Service Classification pursuant to Case No. TO-2009-0061, effective October 28, 2008.
- (9) **Competitive Service Classification pursuant to Case No. TO-2009-0061, effective November 28, 2008.**

* Includes North Hopkins, Iowa

ISSUED:
October 28, 2008

BY: Darlene N. Terry
Manager - Tariffs
5454 W. 110th Street
Overland Park, Kansas 66211

EFFECTIVE:
November 28, 2008

CANCELLED
February 1, 2009
Missouri Public
Service Commission
JI-2009-0528

FILED
Missouri Public
Service Commission
TO-2009-0160 YI-2009-0300

GENERAL EXCHANGE TARIFF

Embarq Missouri, Inc.
d/b/a Embarq

Eleventh Revised Page 23
Cancels Tenth Revised Page 23

LOCAL EXCHANGE SERVICE RATE GROUPS

X. COMPETITIVE EXCHANGES

The following exchanges are classified as competitive:

A. Residence

- | | |
|---------------------------------|------------------------------|
| Buckner ⁽⁴⁾ | Oak Grove ⁽⁴⁾ |
| Ferrelview ⁽²⁾ | Odessa ⁽⁴⁾ |
| Ft. Leonard Wood ⁽⁶⁾ | Platte City ⁽²⁾ |
| Jefferson City ⁽³⁾ | Pleasant Hill ⁽⁴⁾ |
| Kearney ⁽¹⁾ | Rolla ⁽¹⁾ |
| Lake Lotawana ⁽⁴⁾ | St. Robert ⁽⁶⁾ |
| Lebanon ⁽⁵⁾ | Salem ⁽⁷⁾ |
| Lone Jack ⁽⁸⁾ | Waynesville ⁽⁶⁾ |
| Norborne ⁽¹⁾ | Weston ⁽²⁾ |

All services in competitive exchanges are eligible for exchange-specific pricing, except for those services otherwise specified in Section 51 of this Tariff. When exchange-specific rates do apply, those competitive exchanges with rates that differ from those of non-competitive exchanges will be listed for that given service. It is therefore possible for the competitive exchange listings to vary by service.

- (1) Competitive Service Classification pursuant to MO PSC Order of December 4, 2003, in Case No. IO-2003-0281.
- (2) Competitive Service Classification pursuant to Case No. IO-2006-0092, effective August 28, 2005.
- (3) Competitive Service Classification pursuant to Case No. TO-2006-0375, effective May 1, 2006.
- (4) Competitive Service Classification pursuant to Case No. IO-2006-0551, effective July 31, 2006.
- (5) Competitive Service Classification pursuant to Case No. TO-2008-0028, effective August 30, 2007.
- (6) Competitive Service Classification pursuant to Case No. TO-2008-0147, effective December 6, 2007.
- (7) Competitive Service Classification pursuant to Case No. TO-2008-0380, effective July 3, 2008.
- (8) Competitive Service Classification pursuant to Case No. **TO-2009-0061**, effective October 28, 2008. (T)

ISSUED:
October 2, 2008

BY: Darlene N. Terry
Manager - Tariffs
5454 W. 110th Street
Overland Park, Kansas 66211

EFFECTIVE:
November 1, 2008

CANCELLED
November 28, 2008
Missouri Public
Service Commission
TO-2009-0160 YI-2009-0300

FILED
Missouri Public
Service Commission

GENERAL EXCHANGE TARIFF

Embarq Missouri, Inc.
d/b/a Embarq

Tenth Revised Page 23
Cancels Ninth Revised Page 23

LOCAL EXCHANGE SERVICE RATE GROUPS

X. COMPETITIVE EXCHANGES

The following exchanges are classified as competitive:

A. Residence

Buckner ⁽⁴⁾	Oak Grove ⁽⁴⁾	
Ferrelview ⁽²⁾	Odessa ⁽⁴⁾	
Ft. Leonard Wood ⁽⁶⁾	Platte City ⁽²⁾	(T)
Jefferson City ⁽³⁾	Pleasant Hill ⁽⁴⁾	
Kearney ⁽¹⁾	Rolla ⁽¹⁾	
Lake Lotawana ⁽⁴⁾	St. Robert ⁽⁶⁾	(T)
Lebanon ⁽⁵⁾	Salem ⁽⁷⁾	(T)
Lone Jack ⁽⁸⁾	Waynesville ⁽⁶⁾	(T) (N)
Norborne ⁽¹⁾	Weston ⁽²⁾	

(M)

All services in competitive exchanges are eligible for exchange-specific pricing, except for those services otherwise specified in Section 51 of this Tariff. When exchange-specific rates do apply, those competitive exchanges with rates that differ from those of non-competitive exchanges will be listed for that given service. It is therefore possible for the competitive exchange listings to vary by service.

- (1) Competitive Service Classification pursuant to MO PSC Order of December 4, 2003, in Case No. IO-2003-0281.
- (2) Competitive Service Classification pursuant to Case No. IO-2006-0092, effective August 28, 2005.
- (3) Competitive Service Classification pursuant to Case No. TO-2006-0375, effective May 1, 2006.
- (4) Competitive Service Classification pursuant to Case No. IO-2006-0551, effective July 31, 2006.
- (5) Competitive Service Classification pursuant to Case No. TO-2008-0028, effective August 30, 2007. (T)
- (6) Competitive Service Classification pursuant to Case No. TO-2008-0147, effective December 6, 2007. (T)
- (7) Competitive Service Classification pursuant to Case No. TO-2008-0380, effective July 3, 2008. (T) (M)
- (8) **Competitive Service Classification pursuant to Case No. XX-2008-XXXX, effective October 28, 2008.** (N) (N)

(M) Material previously appearing on this page now appears on Original Page 24.

ISSUED:
August 28, 2008

BY: Darlene N. Terry
Manager - Tariffs
5454 W. 110th Street
Overland Park, Kansas 66211

EFFECTIVE:
October 28, 2008

CANCELLED
November 1, 2008
Missouri Public
Service Commission

FILED
Missouri Public
Service Commission
TO-2009-0061

GENERAL EXCHANGE TARIFF

Embarq Missouri, Inc.
d/b/a Embarq

Ninth Revised Page 23
Cancels Eighth Revised Page 23

LOCAL EXCHANGE SERVICE RATE GROUPS

X. COMPETITIVE EXCHANGES

The following exchanges are classified as competitive:

A. Residence

Buckner ⁽⁴⁾	Odessa ⁽⁴⁾
Ferrelview ⁽²⁾	Platte City ⁽²⁾
Ft. Leonard Wood ⁽⁷⁾	Pleasant Hill ⁽⁴⁾
Jefferson City ⁽³⁾	Rolla ⁽¹⁾
Kearney ⁽¹⁾	St. Robert ⁽⁷⁾
Lake Lotawana ⁽⁴⁾	Salem ⁽⁸⁾
Lebanon ⁽⁶⁾	Waynesville ⁽⁷⁾
Norborne ⁽¹⁾	Weston ⁽²⁾
Oak Grove ⁽⁴⁾	

B. Business

Buckner ⁽⁸⁾	Platte City ⁽²⁾
Ferrelview ⁽²⁾	Pleasant Hill ⁽⁸⁾
Jefferson City ⁽³⁾	Rolla ⁽¹⁾
Kearney ⁽¹⁾	St. Robert ⁽²⁾
Lebanon ⁽⁵⁾	Salem ⁽⁸⁾
Norborne ⁽¹⁾	Warrensburg ⁽⁷⁾
Oak Grove ⁽⁸⁾	Waynesville ⁽²⁾
Odessa ⁽⁸⁾	

All services in competitive exchanges are eligible for exchange-specific pricing, except for those services otherwise specified in Section 51 of this Tariff. When exchange-specific rates do apply, those competitive exchanges with rates that differ from those of non-competitive exchanges will be listed for that given service. It is therefore possible for the competitive exchange listings to vary by service.

(1) Competitive Service Classification pursuant to MO PSC Order of December 4, 2003, in Case No. IO-2003-0281.

(2) Competitive Service Classification pursuant to Case No. IO-2006-0092, effective August 28, 2005.

(3) Competitive Service Classification pursuant to Case No. TO-2006-0375, effective May 1, 2006.

(4) Competitive Service Classification pursuant to Case No. IO-2006-0551, effective July 31, 2006.

(5) Competitive Service Classification pursuant to Case No. TO-2007-0301, effective March 10, 2007.

(6) Competitive Service Classification pursuant to Case No. TO-2008-0028, effective August 30, 2007.

(7) Competitive Service Classification pursuant to Case No. TO-2008-0147, effective December 6, 2007.

(8) Competitive Service Classification pursuant to Case No. **TO-2008-0380**, effective July 3, 2008.

(T)

ISSUED:
June 30, 2008

BY: Darlene N. Terry
Manager - Tariffs
5454 W. 110th Street
Overland Park, Kansas 66211

EFFECTIVE:
July 30, 2008

GENERAL EXCHANGE TARIFF

Embarq Missouri, Inc.
d/b/a Embarq

Eighth Revised Page 23
Cancels Seventh Revised Page 23

LOCAL EXCHANGE SERVICE RATE GROUPS

X. COMPETITIVE EXCHANGES

The following exchanges are classified as competitive:

A. Residence

Buckner ⁽⁴⁾	Odessa ⁽⁴⁾	
Ferrelview ⁽²⁾	Platte City ⁽²⁾	
Ft. Leonard Wood ⁽⁷⁾	Pleasant Hill ⁽⁴⁾	
Jefferson City ⁽³⁾	Rolla ⁽¹⁾	
Kearney ⁽¹⁾	St. Robert ⁽⁷⁾	
Lake Lotawana ⁽⁴⁾	Salem ⁽⁸⁾	(N)
Lebanon ⁽⁶⁾	Waynesville ⁽⁷⁾	
Norborne ⁽¹⁾	Weston ⁽²⁾	
Oak Grove ⁽⁴⁾		

B. Business

Buckner ⁽⁸⁾	Platte City ⁽²⁾	(N)
Ferrelview ⁽²⁾	Pleasant Hill ⁽⁸⁾	(N)
Jefferson City ⁽³⁾	Rolla ⁽¹⁾	
Kearney ⁽¹⁾	St. Robert ⁽²⁾	
Lebanon ⁽⁵⁾	Salem ⁽⁸⁾	(N)
Norborne ⁽¹⁾	Warrensburg ⁽⁷⁾	
Oak Grove ⁽⁸⁾	Waynesville ⁽²⁾	(N)
Odessa ⁽⁸⁾		(N)

All services in competitive exchanges are eligible for exchange-specific pricing, *except* for those services otherwise specified in Section 51 of this Tariff. When exchange-specific rates do apply, those competitive exchanges with rates that differ from those of non-competitive exchanges will be listed for that given service. It is therefore possible for the competitive exchange listings to vary by service.

- (1) Competitive Service Classification pursuant to MO PSC Order of December 4, 2003, in Case No. IO-2003-0281.
- (2) Competitive Service Classification pursuant to Case No. IO-2006-0092, effective August 28, 2005.
- (3) Competitive Service Classification pursuant to Case No. TO-2006-0375, effective May 1, 2006.
- (4) Competitive Service Classification pursuant to Case No. IO-2006-0551, effective July 31, 2006.
- (5) Competitive Service Classification pursuant to Case No. TO-2007-0301, effective March 10, 2007.
- (6) Competitive Service Classification pursuant to Case No. TO-2008-0028, effective August 30, 2007.
- (7) Competitive Service Classification pursuant to Case No. TO-2008-0147, effective December 6, 2007.
- (8) **Competitive Service Classification pursuant to Case No. TO-2008-XXXX, effective July 3, 2008.** (N)

ISSUED:
June 3, 2008

BY: Darlene N. Terry
Manager - Tariffs
5454 W. 110th Street
Overland Park, Kansas 66211

EFFECTIVE:
July 3, 2008

GENERAL EXCHANGE TARIFF

Embarq Missouri, Inc.
d/b/a Embarq

Seventh Revised Page 23
Cancels Sixth Revised Page 23

LOCAL EXCHANGE SERVICE RATE GROUPS

X. COMPETITIVE EXCHANGES

The following exchanges are classified as competitive:

A. Residence

Buckner ⁽⁴⁾	Oak Grove ⁽⁴⁾	
Ferrelview ⁽²⁾	Odessa ⁽⁴⁾	
Ft. Leonard Wood ⁽⁷⁾	Platte City ⁽²⁾	(N)
Jefferson City ⁽³⁾	Pleasant Hill ⁽⁴⁾	
Kearney ⁽¹⁾	Rolla ⁽¹⁾	
Lake Lotawana ⁽⁴⁾	St. Robert ⁽⁷⁾	(N)
Lebanon ⁽⁶⁾	Waynesville ⁽⁷⁾	(N)
Norborne ⁽¹⁾	Weston ⁽²⁾	

B. Business

Ferrelview ⁽²⁾	Platte City ⁽²⁾	
Jefferson City ⁽³⁾	Rolla ⁽¹⁾	
Kearney ⁽¹⁾	St. Robert ⁽²⁾	
Lebanon ⁽⁵⁾	Warrensburg ⁽⁷⁾	(N)
Norborne ⁽¹⁾	Waynesville ⁽²⁾	

All services in competitive exchanges are eligible for exchange-specific pricing, *except* for those services otherwise specified in Section 51 of this Tariff. When exchange-specific rates do apply, those competitive exchanges with rates that differ from those of non-competitive exchanges will be listed for that given service. It is therefore possible for the competitive exchange listings to vary by service.

- (1) Competitive Service Classification pursuant to MO PSC Order of December 4, 2003, in Case No. IO-2003-0281.
- (2) Competitive Service Classification pursuant to Case No. IO-2006-0092, effective August 28, 2005.
- (3) Competitive Service Classification pursuant to Case No. TO-2006-0375, effective May 1, 2006.
- (4) Competitive Service Classification pursuant to Case No. IO-2006-0551, effective July 31, 2006.
- (5) Competitive Service Classification pursuant to Case No. TO-2007-0301, effective March 10, 2007.
- (6) Competitive Service Classification pursuant to Case No. TO-2008-0028, effective August 30, 2007.
- (7) **Competitive Service Classification pursuant to Case No. TO-2008-0147, effective December 6, 2007.**

(N)
(N)

ISSUED:
November 6, 2007

BY: Darlene N. Terry
Manager - Tariffs
5454 W. 110th Street
Overland Park, Kansas 66211

EFFECTIVE:
December 6, 2007

CANCELLED
July 3, 2008
Missouri Public
Service Commission

FILED
Missouri Public
Service Commission
TO-2008-0147

P.S.C. MO.-No. 22 Section 16
GENERAL EXCHANGE TARIFF

Embarq Missouri, Inc.
d/b/a Embarq

Sixth Revised Page 23
Cancels Fifth Revised Page 23

LOCAL EXCHANGE SERVICE RATE GROUPS

X. COMPETITIVE EXCHANGES

The following exchanges are classified as competitive:

A. Residence

Buckner ⁽⁴⁾
Ferrelview ⁽²⁾
Jefferson City ⁽³⁾
Kearney ⁽¹⁾
Lake Lotawana ⁽⁴⁾
Lebanon ⁽⁶⁾
Norborne ⁽¹⁾
Oak Grove ⁽⁴⁾
Odessa ⁽⁴⁾
Platte City ⁽²⁾
Pleasant Hill ⁽⁴⁾
Rolla ⁽¹⁾
Weston ⁽²⁾

B. Business

Ferrelview ⁽²⁾
Jefferson City ⁽³⁾
Kearney ⁽¹⁾
Lebanon ⁽⁵⁾
Norborne ⁽¹⁾
Platte City ⁽²⁾
Rolla ⁽¹⁾
St. Robert ⁽²⁾
Waynesville ⁽²⁾

All services in competitive exchanges are eligible for exchange-specific pricing, except for those services otherwise specified in Section 51 of this Tariff. When exchange-specific rates do apply, those competitive exchanges with rates that differ from those of non-competitive exchanges will be listed for that given service. It is therefore possible for the competitive exchange listings to vary by service.

- (1) Competitive Service Classification pursuant to MO PSC Order of December 4, 2003, in Case No. IO-2003-0281.
- (2) Competitive Service Classification pursuant to Case No. IO-2006-0092, effective August 28, 2005.
- (3) Competitive Service Classification pursuant to Case No. TO-2006-0375, effective May 1, 2006.
- (4) Competitive Service Classification pursuant to Case No. IO-2006-0551, effective July 31, 2006.
- (5) Competitive Service Classification pursuant to Case No. TO-2007-0301, effective March 10, 2007.
- (6) Competitive Service Classification pursuant to Case No. TO-2008-0028, effective August 30, 2007.

ISSUED:
August 2, 2007

BY: Darlene N. Terry
Manager - Tariffs
5454 W. 110th Street
Overland Park, Kansas 66211

EFFECTIVE:
September 1, 2007

CANCELLED
December 6, 2007
Missouri Public
Service Commission

FILED
Missouri Public
Service Commission

(T)

(T)

GENERAL EXCHANGE TARIFF

Embarq Missouri, Inc.
d/b/a Embarq

Fifth Revised Page 23
Cancels Fourth Revised Page 23

LOCAL EXCHANGE SERVICE RATE GROUPS

X. COMPETITIVE EXCHANGES

The following exchanges are classified as competitive:

A. Residence

Group A

Jefferson City⁽³⁾
Buckner⁽⁴⁾
Lebanon⁽⁶⁾
Lake Lotawana⁽⁴⁾
Oak Grove⁽⁴⁾
Odessa⁽⁴⁾
Pleasant Hill⁽⁴⁾

Group B

Ferrelview⁽²⁾
Kearney⁽¹⁾
Norborne⁽¹⁾
Platte City⁽²⁾
Rolla⁽¹⁾
Weston⁽²⁾

(N)

B. Business

Group A

Jefferson City⁽³⁾
Lebanon⁽⁵⁾

Group B

Ferrelview⁽²⁾
Kearney⁽¹⁾
Norborne⁽¹⁾
Platte City⁽²⁾
Rolla⁽¹⁾
St. Robert⁽²⁾
Waynesville⁽²⁾

(1) Competitive Service Classification pursuant to MO PSC Order of December 4, 2003, in Case No. IO-2003-0281.

(2) Competitive Service Classification pursuant to Case No. IO-2006-0092, effective August 28, 2005.

(3) Competitive Service Classification pursuant to Case No. TO-2006-0375, effective May 1, 2006.

(4) Competitive Service Classification pursuant to Case No. IO-2006-0551, effective July 31, 2006.

(5) Competitive Service Classification pursuant to Case No. TO-2007-0301, effective March 10, 2007.

(6) **Competitive Service Classification pursuant to Case No. TO-2008-0028, effective August 30, 2007.**

(N)
(N)

ISSUED:
July 31, 2007

BY: Darlene N. Terry
Manager - Tariffs
5454 W. 110th Street
Overland Park, KS 66211

EFFECTIVE:
August 30, 2007

GENERAL EXCHANGE TARIFF

Embarq Missouri, Inc.
d/b/a Embarq

Fourth Revised Page 23
Cancels Third Revised Page 23

LOCAL EXCHANGE SERVICE RATE GROUPS

X. COMPETITIVE EXCHANGES

The following exchanges are classified as competitive:

A. Residence

Group A

Jefferson City⁽³⁾
Buckner⁽⁴⁾
Lake Lotawana⁽⁴⁾
Oak Grove⁽⁴⁾
Odessa⁽⁴⁾
Pleasant Hill⁽⁴⁾

Group B

Ferrelview⁽²⁾
Kearney⁽¹⁾
Norborne⁽¹⁾
Platte City⁽²⁾
Rolla⁽¹⁾
Weston⁽²⁾

(T)
|
(T)

B. Business

Group A

Jefferson City⁽³⁾
Lebanon⁽⁵⁾

Group B

Ferrelview⁽²⁾
Kearney⁽¹⁾
Norborne⁽¹⁾
Platte City⁽²⁾
Rolla⁽¹⁾
St. Robert⁽²⁾
Waynesville⁽²⁾

(T)
|
(T)

- (1) Competitive Service Classification pursuant to MO PSC Order of December 4, 2003, in Case No. IO-2003-0281. (T)
- (2) Competitive Service Classification pursuant to Case No. IO-2006-0092, effective August 28, 2005. (T)
- (3) Competitive Service Classification pursuant to Case No. TO-2006-0375, effective May 1, 2006. (T)
- (4) Competitive Service Classification pursuant to Case No. IO-2006-0551, effective July 31, 2006. (T)
- (5) **Competitive Service Classification pursuant to Case No. TO-2007-0301, effective March 10, 2007.** (N)
(N)

ISSUED:
February 8, 2007

BY: Darlene N. Terry
Manager - Tariffs
5454 W. 110th Street
Overland Park, KS 66211

EFFECTIVE:
March 10, 2007

CANCELLED
August 30, 2007
Missouri Public
Service Commission

TO-2007-0301

Filed
Missouri Public
Service Commission

GENERAL EXCHANGE TARIFF

Embarq Missouri, Inc.
d/b/a Embarq

Third Revised Page 23
Cancels Second Revised Page 23

LOCAL EXCHANGE SERVICE RATE GROUPS

X. COMPETITIVE EXCHANGES

The following exchanges are classified as competitive:

A. Residence

Group A

Jefferson City***
Buckner****
Lake Lotawana****
Oak Grove****
Odessa****
Pleasant Hill****

Group B

Ferrelview**
Kearney*
Norborne*
Platte City**
Rolla*
Weston**

B. Business

Group A

Jefferson City***

Group B

Ferrelview**
Kearney*
Norborne*
Platte City**
Rolla*
St. Robert**
Waynesville**

* Competitive Service Classification pursuant to MO PSC Order of December 4, 2003, in Case No. IO-2003-0281.

** Competitive Service Classification pursuant to Case No. IO-2006-0092, effective August 28, 2005.

*** Competitive Service Classification pursuant to Case No. TO-2006-0375, effective May 1, 2006.

**** Competitive Service Classification pursuant to Case No. **IO-2006-0551**, effective **July 31, 2006**. (T)

ISSUED:
October 18, 2006

BY: Darlene N. Terry
Manager - Tariffs
5454 W. 110th Street
Overland Park, KS 66211

EFFECTIVE:
November 18, 2006

GENERAL EXCHANGE TARIFF

EMBARQ MISSOURI, INC.
d/b/a EMBARQ

Second Revised Page 23
Cancels First Revised Page 23

LOCAL EXCHANGE SERVICE RATE GROUPS

X. COMPETITIVE EXCHANGES

The following exchanges are classified as competitive:

A. Residence

Group A

Jefferson City***
Buckner****
Lake Lotawona****
Oak Grove****
Odessa****
Pleasant Hill****

Group B

Ferrelview**
Kearney*
Norborne*
Platte City**
Rolla*
Weston**

(AT)

(AT)

B. Business

Group A

Jefferson City***

Group B

Ferrelview**
Kearney*
Norborne*
Platte City**
Rolla*
St. Robert**
Waynesville**

(AT)

* Competitive Service Classification pursuant to MO PSC Order of December 4, 2003, in Case No. IO-2003-0281.

** Competitive Service Classification pursuant to Case No. IO-2006-0092, effective August 28, 2005.

*** Competitive Service Classification pursuant to Case No. **TO-2006-0375**, effective **May 1, 2006**. (CT)

**** **Competitive Service Classification pursuant to Case No. XX-XXXX-XXXX, effective YY-YY-YY.** (AT)
(AT)

ISSUED:
June 29, 2006

BY: Chad Eckhart
Vice President – Regulatory Affairs
6450 Sprint Parkway
Overland Park, KS 66251

EFFECTIVE:
July 31, 2006

Cancelled

Filed

GENERAL EXCHANGE TARIFF

SPRINT MISSOURI, INC.
d/b/a SPRINT

First Revised Page 23
Cancels Original Page 23

LOCAL EXCHANGE SERVICE RATE GROUPS

X. COMPETITIVE EXCHANGES

The following exchanges are classified as competitive:

A. Residence

- Ferrelview**
- Jefferson City***** (N)
- Kearney*
- Norborne*
- Platte City**
- Rolla*
- Weston**

B. Business

- Ferrelview**
- Jefferson City***** (N)
- Kearney*
- Norborne*
- Platte City**
- Rolla*
- St. Robert**
- Waynesville**

* Competitive Service Classification pursuant to MO PSC Order of December 4, 2003, in Case No. IO-2003-0281.

** Competitive Service Classification pursuant to Case No. IO-2006-0092, effective August 28, 2005.

*** ~~Competitive Service Classification pursuant to Case No. XX-XXXX-XXXX, effective YY-YY-YY~~ (N)

ISSUED:
March 31, 2006

BY: Chad Eckhart
Vice President – Regulatory Affairs
6450 Sprint Parkway
Overland Park, KS 66251

EFFECTIVE:
May 1, 2006

Cancelled

July 31, 2006
Missouri Public
Service Commission

TO-2006-0375

Filed
Missouri Public
Service Commission

GENERAL EXCHANGE TARIFF

SPRINT MISSOURI, INC.
d/b/a SPRINT

Original Page 23

LOCAL EXCHANGE SERVICE RATE GROUPS

X. COMPETITIVE EXCHANGES

The following exchanges are classified as competitive:

A. Residence

Ferrelview**
Kearney*
Norborne*
Platte City**
Rolla*
Weston**

B. Business

Ferrelview**
Kearney*
Norborne*
Platte City**
Rolla*
St. Robert**
Waynesville**

* Competitive Service Classification pursuant to MO PSC Order of December 4, 2003, in Case No. IO-2003-0281.

** Competitive Service Classification pursuant to Case No. IO-2006-0092, effective August 28, 2005.

ISSUED:
October 20, 2005

BY: Richard D. Lawson
State Executive, External Affairs
319 Madison
Jefferson City, MO 65101

EFFECTIVE:
November 20, 2005

Cancelled

May 1, 2006
Missouri Public
Service Commission

Filed
Missouri Public
Service Commission

GENERAL EXCHANGE TARIFF

Embarq Missouri, Inc.
d/b/a Embarq

Third Revised Page 24
Cancels Second Revised Page 24

LOCAL EXCHANGE **SERVICE**

(C)

Reserved for Future Filing

(M)
(N)

(M)

(M) Material previously found on this page now appears on Seventh Revised Page 13.

ISSUED:
January 20, 2009

BY: Darlene N. Terry
Manager - Tariffs
5454 W. 110th Street
Overland Park, Kansas 66211

EFFECTIVE:
February 1, 2009

GENERAL EXCHANGE TARIFF

Embarq Missouri, Inc.
d/b/a Embarq

Second Revised Page 24
Cancels First Revised Page 24

LOCAL EXCHANGE SERVICE RATE GROUPS

X. COMPETITIVE EXCHANGES (Continued)

The following exchanges are classified as competitive:

B. Business

Appleton City ⁽⁷⁾	Eugene ⁽⁷⁾	Lexington ⁽⁷⁾	Russellville ⁽⁷⁾
Blackburn ⁽⁸⁾	Fairfax ⁽⁸⁾	Lincoln ⁽⁷⁾	St. Robert ⁽²⁾
Blairstown ⁽⁸⁾	Ferrelview ⁽²⁾	Lone Jack ⁽⁷⁾	St. Thomas ⁽⁸⁾
Brazito ⁽⁸⁾	Ft. Leonard Wood ⁽⁷⁾	Malta Bend ⁽⁸⁾	Salem ⁽⁶⁾
Buckner ⁽⁶⁾	Green Ridge ⁽⁷⁾	Maryville ⁽⁷⁾	Smithton ⁽⁸⁾
Butler ⁽⁷⁾	Hardin ⁽⁸⁾	Missouri City ⁽⁷⁾	Strasburg ⁽⁸⁾
Calhoun ⁽⁸⁾	Harrisonville ⁽⁷⁾	Montrose ⁽⁷⁾	Sweet Springs ⁽⁷⁾
California ⁽⁷⁾	Henrietta ⁽⁷⁾	Mound City ⁽⁸⁾	Syracuse ⁽⁸⁾
Camden Point ⁽⁸⁾	Holden ⁽⁷⁾	New Bloomfield ⁽⁷⁾	Taos ⁽⁸⁾
Centertown ⁽⁸⁾	Holt ⁽⁸⁾	Newburg ⁽⁷⁾	Tarkio ⁽⁷⁾
Centerview ⁽⁷⁾	Hopkins* ⁽⁸⁾	Norborne ⁽¹⁾	Tipton ⁽⁷⁾
Chilhowee ⁽⁸⁾	Houstonia ⁽⁸⁾	Oak Grove ⁽⁶⁾	Urish ⁽⁷⁾
Clarksburg ⁽⁸⁾	Ionia ⁽⁸⁾	Odessa ⁽⁶⁾	Warrensburg ⁽⁵⁾
Clinton ⁽⁷⁾	Jefferson City ⁽³⁾	Orrick ⁽⁸⁾	Warsaw ⁽⁷⁾
Coal ⁽⁸⁾	Kearney ⁽¹⁾	Otterville ⁽⁸⁾	Waverly ⁽⁷⁾
Cole Camp ⁽⁷⁾	King City ⁽⁷⁾	Pickering ⁽⁷⁾	Waynesville ⁽²⁾
Craig ⁽⁸⁾	Kingsville ⁽⁸⁾	Platte City ⁽²⁾	Wellington ⁽⁷⁾
Dearborn ⁽⁸⁾	Lake Lotawana ⁽⁷⁾	Pleasant Hill ⁽⁶⁾	Weston ⁽⁷⁾
Deepwater ⁽⁸⁾	Lebanon ⁽⁴⁾	Richland ⁽⁷⁾	Windsor ⁽⁷⁾
Edgerton ⁽⁸⁾	Leeton ⁽⁷⁾	Rolla ⁽¹⁾	

(N)
|
(N)

All services in competitive exchanges are eligible for exchange-specific **pricing**. When exchange-specific rates do apply, those competitive exchanges with rates that differ from those of non-competitive exchanges will be listed for that given service. It is therefore possible for the competitive exchange listings to vary by service.

(D)

- (1) Competitive Service Classification pursuant to MO PSC Order of December 4, 2003, in Case No. IO-2003-0281.
- (2) Competitive Service Classification pursuant to Case No. IO-2006-0092, effective August 28, 2005.
- (3) Competitive Service Classification pursuant to Case No. TO-2006-0375, effective May 1, 2006.
- (4) Competitive Service Classification pursuant to Case No. TO-2007-0301, effective March 10, 2007.
- (5) Competitive Service Classification pursuant to Case No. TO-2008-0147, effective December 6, 2007.
- (6) Competitive Service Classification pursuant to Case No. TO-2008-0380, effective July 3, 2008.
- (7) Competitive Service Classification pursuant to Case No. TO-2009-0061, effective October 28, 2008.
- (8) **Competitive Service Classification pursuant to Case No. TO-2009-0061, effective November 28, 2008.**

(N)
(N)

* **Includes North Hopkins, Iowa**

ISSUED:
October 28, 2008

BY: Darlene N. Terry
Manager - Tariffs
5454 W. 110th Street
Overland Park, Kansas 66211

EFFECTIVE:
November 28, 2008

CANCELLED
February 1, 2009
Missouri Public
Service Commission
JI-2009-0528

FILED
Missouri Public
Service Commission
TO-2009-0160 YI-2009-0300

GENERAL EXCHANGE TARIFF

Embarq Missouri, Inc.
d/b/a Embarq

First Revised Page 24
Cancels Original Page 24

LOCAL EXCHANGE SERVICE RATE GROUPS

X. COMPETITIVE EXCHANGES (Continued)

The following exchanges are classified as competitive:

B. Business

Appleton City ⁽⁷⁾	Lake Lotawana ⁽⁷⁾	Richland ⁽⁷⁾
Buckner ⁽⁶⁾	Lebanon ⁽⁴⁾	Rolla ⁽¹⁾
Butler ⁽⁷⁾	Leeton ⁽⁷⁾	Russellville ⁽⁷⁾
California ⁽⁷⁾	Lexington ⁽⁷⁾	St. Robert ⁽²⁾
Centerview ⁽⁷⁾	Lincoln ⁽⁷⁾	Salem ⁽⁶⁾
Clinton ⁽⁷⁾	Lone Jack ⁽⁷⁾	Sweet Springs ⁽⁷⁾
Cole Camp ⁽⁷⁾	Maryville ⁽⁷⁾	Tarkio ⁽⁷⁾
Eugene ⁽⁷⁾	Missouri City ⁽⁷⁾	Tipton ⁽⁷⁾
Ferrelview ⁽²⁾	Montrose ⁽⁷⁾	Urich ⁽⁷⁾
Ft. Leonard Wood ⁽⁷⁾	New Bloomfield ⁽⁷⁾	Warrensburg ⁽⁵⁾
Greenridge ⁽⁷⁾	Newburg ⁽⁷⁾	Warsaw ⁽⁷⁾
Harrisonville ⁽⁷⁾	Norborne ⁽¹⁾	Waverly ⁽⁷⁾
Henrietta ⁽⁷⁾	Oak Grove ⁽⁶⁾	Waynesville ⁽²⁾
Holden ⁽⁷⁾	Odessa ⁽⁶⁾	Wellington ⁽⁷⁾
Jefferson City ⁽³⁾	Pickering ⁽⁷⁾	Weston ⁽⁷⁾
Kearney ⁽¹⁾	Platte City ⁽²⁾	Windsor ⁽⁷⁾
King City ⁽⁷⁾	Pleasant Hill ⁽⁶⁾	

All services in competitive exchanges are eligible for exchange-specific pricing, except for those services otherwise specified in Section 51 of this Tariff. When exchange-specific rates do apply, those competitive exchanges with rates that differ from those of non-competitive exchanges will be listed for that given service. It is therefore possible for the competitive exchange listings to vary by service.

(1) Competitive Service Classification pursuant to MO PSC Order of December 4, 2003, in Case No. IO-2003-0281.

(2) Competitive Service Classification pursuant to Case No. IO-2006-0092, effective August 28, 2005.

(3) Competitive Service Classification pursuant to Case No. TO-2006-0375, effective May 1, 2006.

(4) Competitive Service Classification pursuant to Case No. TO-2007-0301, effective March 10, 2007.

(5) Competitive Service Classification pursuant to Case No. TO-2008-0147, effective December 6, 2007.

(6) Competitive Service Classification pursuant to Case No. TO-2008-0380, effective July 3, 2008.

(7) Competitive Service Classification pursuant to Case No. **TO-2009-0061**, effective October 28, 2008. (T)

ISSUED:
October 2, 2008

BY: Darlene N. Terry
Manager - Tariffs
5454 W. 110th Street
Overland Park, Kansas 66211

EFFECTIVE:
November 1, 2008

CANCELLED
November 28, 2008
Missouri Public
Service Commission
TO-2009-0160 YI-2009-0300

FILED
Missouri Public
Service Commission

GENERAL EXCHANGE TARIFF

Embarq Missouri, Inc.
d/b/a Embarq

Original Page 24

LOCAL EXCHANGE SERVICE RATE GROUPS

X. COMPETITIVE EXCHANGES (Continued)

The following exchanges are classified as competitive:

B. Business

Appleton City ⁽⁷⁾	Lake Lotawana ⁽⁷⁾	Richland ⁽⁷⁾
Buckner ⁽⁶⁾	Lebanon ⁽⁴⁾	Rolla ⁽¹⁾
Butler ⁽⁷⁾	Leeton ⁽⁷⁾	Russellville ⁽⁷⁾
California ⁽⁷⁾	Lexington ⁽⁷⁾	St. Robert ⁽²⁾
Centerview ⁽⁷⁾	Lincoln ⁽⁷⁾	Salem ⁽⁶⁾
Clinton ⁽⁷⁾	Lone Jack ⁽⁷⁾	Sweet Springs ⁽⁷⁾
Cole Camp ⁽⁷⁾	Maryville ⁽⁷⁾	Tarkio ⁽⁷⁾
Eugene ⁽⁷⁾	Missouri City ⁽⁷⁾	Tipton ⁽⁷⁾
Ferrelview ⁽²⁾	Montrose ⁽⁷⁾	Urich ⁽⁷⁾
Ft. Leonard Wood ⁽⁷⁾	New Bloomfield ⁽⁷⁾	Warrensburg ⁽⁵⁾
Greenridge ⁽⁷⁾	Newburg ⁽⁷⁾	Warsaw ⁽⁷⁾
Harrisonville ⁽⁷⁾	Norborne ⁽¹⁾	Waverly ⁽⁷⁾
Henrietta ⁽⁷⁾	Oak Grove ⁽⁶⁾	Waynesville ⁽²⁾
Holden ⁽⁷⁾	Odessa ⁽⁶⁾	Wellington ⁽⁷⁾
Jefferson City ⁽³⁾	Pickering ⁽⁷⁾	Weston ⁽⁷⁾
Kearney ⁽¹⁾	Platte City ⁽²⁾	Windsor ⁽⁷⁾
King City ⁽⁷⁾	Pleasant Hill ⁽⁶⁾	

(M)

(N)

(N)

All services in competitive exchanges are eligible for exchange-specific pricing, except for those services otherwise specified in Section 51 of this Tariff. When exchange-specific rates do apply, those competitive exchanges with rates that differ from those of non-competitive exchanges will be listed for that given service. It is therefore possible for the competitive exchange listings to vary by service.

- (1) Competitive Service Classification pursuant to MO PSC Order of December 4, 2003, in Case No. IO-2003-0281.
- (2) Competitive Service Classification pursuant to Case No. IO-2006-0092, effective August 28, 2005.
- (3) Competitive Service Classification pursuant to Case No. TO-2006-0375, effective May 1, 2006.
- (4) Competitive Service Classification pursuant to Case No. TO-2007-0301, effective March 10, 2007.
- (5) Competitive Service Classification pursuant to Case No. TO-2008-0147, effective December 6, 2007.
- (6) Competitive Service Classification pursuant to Case No. TO-2008-0380, effective July 3, 2008.
- (7) **Competitive Service Classification pursuant to Case No. XX-2008-XXXX, effective October 28, 2008.**

(M)

(N)

(N)

(M) Material now appearing on this page previously appeared on Ninth Revised Page 23.

ISSUED:
August 28, 2008

BY: Darlene N. Terry
Manager - Tariffs
5454 W. 110th Street
Overland Park, Kansas 66211

EFFECTIVE:
October 28, 2008

CANCELLED
November 1, 2008
Missouri Public
Service Commission

FILED
Missouri Public
Service Commission
TO-2009-0061

P.S.C. MO.-No. 22 Section 17
GENERAL EXCHANGE TARIFF

SPRINT MISSOURI, INC.
d/b/a SPRINT

Second Revised Page 1
Cancels First Revised Page 1

MILEAGE

I. ZONE MILEAGE

A. *(Reserved for future filing.)* (RT)

(RT)

(DR)

(DR)

B. For circuits not connected with local exchange service, see the "Private Lines and Equipment" section of the General Exchange Tariff.

(RT)

(RT)

(RT)

(RT)

ISSUED:
October 27, 2000

BY: Richard D. Lawson
State Executive, External Affairs
319 Madison
Jefferson City, MO 65101

EFFECTIVE:
December 11, 2000

UNITED TELEPHONE COMPANY
OF MISSOURI

GENERAL EXCHANGE TARIFF

RECEIVED
First Revised Page 1
Cancels Original page 1
NOV 2 1993

MILEAGE

MO. PUBLIC SERVICE COMM.

I. ZONE MILEAGE

- A. In connection with circuits extending beyond the initial rate area boundary, the following monthly zone mileage charges apply. (1) (AT)
These charges are in addition to the initial rates specified in the "Local Exchange Service" Section for each exchange, and construction charges where applicable:

ZONE	<u>I</u>	<u>II</u>	<u>III</u>	<u>IV</u>
Monthly Rate	\$2.35	\$4.65	\$7.00	\$9.30
S&E Code	(MAZAZA1)	(MAZAZB1)	(MAZAZC1)	(MAZAZD1)

- B. For circuits not connected with local exchange service, see the "Private Lines and Equipment" section of the General Exchange Tariff.
- C. (Reserved for future filing)
- D. All Foreign Exchange service terminating outside the initial rate area in shall have the zone additive added to each circuit or channel required.
- E. In those cases where zone boundaries follow the center line of a street or highway all dwellings or structures within 150 feet of the center line of the street or highway shall be considered within the lower zone.

CANCELLED

DEC 11 2000
2nd RPI
Public Service Commission
MISSOURI

(1) In Exchanges that have no multi-party customers, any customer residing outside the initial rate area will pay a zone mileage charge of \$2.35. The zone mileage structure in I.A. above will apply for all other exchanges. (AT)

FILED

NOV 7 1993
93 - 181
MO. PUBLIC SERVICE COMM.

ISSUED:
November 3, 1993

BY: John L. Roe
Vice President - Administration
5454 West 110th Street
Overland Park, Kansas 66211

EFFECTIVE:
November 7, 1993

UNITED TELEPHONE COMPANY
OF MISSOURI

GENERAL EXCHANGE TARIFF

Original Page 1

SEP 17 1992

MILEAGE

I. ZONE MILEAGE

A. In connection with circuits extending beyond the initial rate area boundary, the following monthly zone mileage charges apply. These charges are in addition to the initial rates specified in the "Local Exchange Service" Section for each exchange, and construction charges where applicable:

ZONE	<u>I</u>	<u>II</u>	<u>III</u>	<u>IV</u>
Monthly Rate	\$2.35	\$4.65	\$7.00	\$9.30
S&E Code	(MAZAZA1)	(MAZAZB1)	(MAZAZC1)	(MAZAZD1)

B. For circuits not connected with local exchange service, see the "Private Lines and Equipment" section of the General Exchange Tariff.

C. (Reserved for future filing)

D. All Foreign Exchange service terminating outside the initial rate area shall have the zone additive added to each circuit or channel required.

E. In those cases where zone boundaries follow the center line of a street or highway all dwellings or structures within 150 feet of the center line of the street or highway shall be considered within the lower zone.

CANCELLED

NOV 1 1992
BY *(John L. Roe)*
Public Service Commission
MISSOURI

FILED

NOV 7 1992

MO. PUBLIC SERVICE COMM.

EFFECTIVE:

~~October 17, 1992~~
NOV 7 1992

ISSUED:
September 17, 1992

BY: John L. Roe
Vice President - Administration
5454 West 110th Street
Overland Park, Kansas 66211

GENERAL EXCHANGE TARIFF

Embarq Missouri, Inc.
d/b/a **CenturyLink**

Seventh Revised Page 2
Cancels Sixth Revised Page 2 (C)

MILEAGE

II. EXTENSION AND TIE LINE MILEAGE

A. GENERAL

- 1. Where the line is routed through central office, mileage is computed on the airline distance between each terminal and its central office of connection.
- 2. For rules and regulations covering Tie Lines and Extension Lines, refer to "Private Branch Exchange Service" and "Extension Service" in Section 18 of this tariff.

B. RATES

	<u>Monthly Charge</u>	<u>NRC</u>	
1. Between points on continuous property ⁽¹⁾			(C)
(a) Extension lines (MAXCT) and Tie Lines (MBBAJ) Per one-tenth mile or fraction thereof (airline measurement)	\$1.25	SCC	
Minimum charge	3.50	SCC	

⁽¹⁾ **Effective November 1, 2013, new installations of on-premises extensions will be provided as a one-time charge based on time and materials charges. Existing units of record as of November 1, 2013 will continue to be provided and maintained by the Company at the rates and charges listed above.** (N)

(N)

ISSUED:
October 2, 2013

BY: Darlene N. Terry
Manager - Tariffs
5454 W. 110th Street
Overland Park, Kansas 66211

EFFECTIVE:
November 1, 2013

MO13-07

GENERAL EXCHANGE TARIFF

Embarq Missouri, Inc.
d/b/a Embarq

Sixth Revised Page 2
Cancels Fifth Revised Page 2

MILEAGE

II. EXTENSION AND TIE LINE MILEAGE

A. GENERAL

1. Where the line is routed through central office, mileage is computed on the airline distance between each terminal and its central office of connection.
2. For rules and regulations covering Tie Lines and Extension Lines, refer to "Private Branch Exchange Service" and "Extension Service" in Section 18 of this tariff.

B. RATES

	<u>Monthly Charge</u>	<u>NRC</u>	
1. Between points on continuous property			
(a) Extension lines (MAXCT) and Tie Lines (MBBAJ) Per one-tenth mile or fraction thereof (airline measurement)	\$1.25	SCC	(I)
Minimum charge	3.50	SCC	(I)(T)

ISSUED:
January 20, 2009

BY: Darlene N. Terry
Manager - Tariffs
5454 W. 110th Street
Overland Park, Kansas 66211

EFFECTIVE:
February 1, 2009

CANCELLED
November 1, 2013
Missouri Public
Service Commission
JI-2014-0160

FILED
Missouri Public
Service Commission
JI-2009-0528

GENERAL EXCHANGE TARIFF

Embarq Missouri, Inc.
d/b/a Embarq

Fifth Revised Page 2
Cancels Fourth Revised Page 2

MILEAGE

II. EXTENSION AND TIE LINE MILEAGE

A. GENERAL

- 1. Where the line is routed through central office, mileage is computed on the airline distance between each terminal and its central office of connection.
- 2. For rules and regulations covering Tie Lines and Extension Lines, refer to "Private Branch Exchange Service" and "**Extension Service**" in **Section 18** of this tariff. (T)

B. RATES

	<u>Monthly Charge</u>	<u>NRC</u>
1. Between points on continuous property		
(a) Extension lines (MAXCT) and Tie Lines (MBBAJ) Per one-tenth mile or fraction thereof (airline measurement)	\$.68	SCC
Minimum charge (MBBAL)	2.63	SCC

ISSUED:
October 12, 2007

BY: Darlene N. Terry
Manager - Tariffs
5454 W. 110th Street
Overland Park, KS 66211

EFFECTIVE:
November 11, 2007

CANCELLED
February 1, 2009
Missouri Public
Service Commission
JI-2009-0528

FILED
Missouri Public
Service Commission

GENERAL EXCHANGE TARIFF

Embarq Missouri, Inc.
d/b/a Embarq

Fourth Revised Page 2 (T)
Cancels Third Revised Page 2 (T)

MILEAGE

II. EXTENSION AND TIE LINE MILEAGE

A. GENERAL

1. Where the line is routed through central office, mileage is computed on the airline distance between each terminal and its central office of connection.
2. For rules and regulations covering Tie Lines and Extension Lines, refer to "Private Branch Exchange Service" in the "Miscellaneous Equipment and Service" Section and to the "Extension Service" Section of this tariff.

B. RATES

	<u>Monthly Charge</u>	<u>NRC</u>	
1. Between points on continuous property			
(a) Extension lines (MAXCT) and Tie Lines (MBBAJ) Per one-tenth mile or fraction thereof (airline measurement)	\$.68	SCC	(T)
Minimum charge (MBBAL)	2.63	SCC	(T)

ISSUED:
August 2, 2007

BY: Darlene N. Terry
Manager - Tariffs
5454 W. 110th Street
Overland Park, Kansas 66211

EFFECTIVE:
September 1, 2007

CANCELLED
November 11, 2007
Missouri Public
Service Commission

FILED
Missouri Public
Service Commission

GENERAL EXCHANGE TARIFF

SPRINT MISSOURI, INC.
d/b/a SPRINT

Third Revised Page 2
Cancels Second Revised Page 2

MILEAGE

II. EXTENSION AND TIE LINE MILEAGE

A. GENERAL

1. Where the line is routed through central office, mileage is computed on the airline distance between each terminal and its central office of connection.
2. For rules and regulations covering Tie Lines and Extension Lines, refer to "Private Branch Exchange Service" in the "Miscellaneous Equipment and Service" Section and to the "Extension Service" Section of this tariff.

B. RATES

	<u>Monthly Charge</u>	<u>NRC</u>	
1. Between points on continuous property			
(a) Extension lines (MAXCT) and Tie Lines (MBBAJ) Per one-tenth mile or fraction thereof (airline measurement)			
	<i>Non-Competitive Exchanges</i>	\$.68	SCC (1) (CT)
	<i>Competitive Exchanges</i>	\$.68	SCC (1) (CT)
Minimum charge (MBBAL)			
	<i>Non-Competitive Exchanges</i>	\$2.63	SCC (1) (CT)
	<i>Competitive Exchanges</i>	\$2.63	SCC (1) (CT)

ISSUED:
December 3, 2004

BY: Richard D. Lawson
State Executive, External Affairs
319 Madison
Jefferson City, MO 65101

EFFECTIVE:
January 18, 2005

CANCELLED
September 1, 2007
Missouri Public
Service Commission

Filed
Missouri Public
Service Commission

RECD OCT 31 2003

GENERAL EXCHANGE TARIFF

SPRINT MISSOURI, INC.
d/b/a SPRINT

Service Commission
Second Revised Page 2
Cancels First Revised Page 2

MILEAGE

II. EXTENSION AND TIE LINE MILEAGE

A. GENERAL

1. Where the line is routed through central office, mileage is computed on the airline distance between each terminal and its central office of connection.
2. For rules and regulations covering Tie Lines and Extension Lines, refer to "Private Branch Exchange Service" in the "Miscellaneous Equipment and Service" Section and to the "Extension Service" Section of this tariff.

B. RATES

	<u>Monthly Charge</u>	<u>NRC</u>	
1. Between points on continuous property			
(a) Extension lines (MAXCT) and Tie Lines (MBBAJ) Per one-tenth mile or fraction thereof (airline measurement)	\$.63	SCC	(1)
Minimum charge (MBBAL)	\$2.44	SCC	(1)

CANCELLED

JAN 18 2005

By *BroRS2*
Public Service Commission
MISSOURI

ISSUED:
October 31, 2003

BY: Richard D. Lawson
State Executive, External Affairs
319 Madison
Jefferson City, MO 65101

~~EFFECTIVE~~

JAN 17 2004

Missouri Public
Service Commission

IT-2004-0225
FILED JAN 17 2004

REC'D OCT 25 2002

GENERAL EXCHANGE TARIFF

Service Commission

SPRINT MISSOURI, INC.
d/b/a SPRINT

First Revised Page 2
Cancels Original Page 2

MILEAGE

II. EXTENSION AND TIE LINE MILEAGE

A. GENERAL

1. Where the line is routed through central office, mileage is computed on the airline distance between each terminal and its central office of connection.
2. For rules and regulations covering Tie Lines and Extension Lines, refer to "Private Branch Exchange Service" in the "Miscellaneous Equipment and Service" Section and to the "Extension Service" Section of this tariff.

B. RATES

	<u>Monthly Charge</u>	<u>NRC</u>	
1. Between points on continuous property			
(a) Extension lines (MAXCT) and Tie Lines (MBBAJ) Per one-tenth mile or fraction thereof (airline measurement)	\$.59	SCC	(1)
Minimum charge (MBBAL)	\$ 2.26	SCC	(1)

CANCELLED
 JAN 17 2004
 By *andrs2*
 Public Service Commission
 MISSOURI

Missouri Public
 Service Commission
 17-03-0166
FILED DEC 18 2002

ISSUED:
October 25, 2002

BY: Richard D. Lawson
State Executive, External Affairs
319 Madison
Jefferson City, MO 65101

EFFECTIVE:



DEC 18 2002

GENERAL EXCHANGE TARIFF

UNITED TELEPHONE COMPANY
OF MISSOURI

Original Page 2

MILEAGE

RECEIVED

SEP 17 1992

II. EXTENSION AND TIE LINE MILEAGE

RECEIVED
PUBLIC SERVICE COMMISSION

A. GENERAL

1. Where the line is routed through central office, mileage is computed on the airline distance between each terminal and its central office of connection.
2. For rules and regulations covering Tie Lines and Extension Lines, refer to "Private Branch Exchange Service" in the "Miscellaneous Equipment and Service" Section and to the "Extension Service" Section of this tariff.

B. RATES

	<u>Monthly Charge</u>	<u>NRC</u>
1. Between points on continuous property		
(a) Extension lines (MAXCT) and Tie Lines (MBBAJ) Per one-tenth mile or fraction thereof (airline measurement)	\$.55	SCC
Minimum charge (MBBAL)	\$ 2.10	SCC

CANCELLED

DEC 18 2002

By *STPS2*
Public Service Commission
MCCOY

FILED

NOV 7 1992

MO. PUBLIC SERVICE COMM.

ISSUED:
September 17, 1992

BY: John L. Roe
Vice President - Administration
5454 West 110th Street
Overland Park, Kansas 66211

EFFECTIVE:
~~October 17, 1992~~
NOV 7 1992

GENERAL EXCHANGE TARIFF

Embarq Missouri, Inc.
d/b/a Embarq

Fifth Revised Page 3
Cancels Fourth Revised Page 3

MILEAGE

II. EXTENSION AND TIE LINE MILEAGE (Cont'd)

B. RATES (Cont'd)

2. Between points not on continuous property.

	<u>Monthly Charge</u>	
a. Extension Lines (MAXPG) including Burglar Alarm (MBCAG BA), Control (MBCAG CL), Data (MBCBG), Fire Alarm (MBCAG FA), Metering (MBCAG ML), Minimum (MBBAG), Telephone Answering Service (MBBAG TAS), Mobile Radio (MBBBG), and Music (MBFCG) Loops, First one-quarter mile or fraction thereof (airline measurement)	\$6.00	(1)
b. Extension Lines (MAXPL) including Burglar Alarm (MBCAL BA), Control (MBCAL CL), Data (MBCBL), Fire Alarm (MBCAL FA), Metering (MBCAL ML), Telephone Answering Service (MBBAL TAS), Mobile Radio (MBBBL), and Music (MBFCL) Loops, Each additional one-quarter mile or fraction thereof (airline measurement)	\$3.50	(1)
c. Tie Lines, including two points of termination, first one-quarter mile or fraction thereof (airline measurement) (MBBAH)	\$6.00	(1)
Each additional one-quarter mile or fraction thereof (airline measurement)	\$3.50	(1)(T)
d. Service connection charges are applicable at the time service is initiated or when a move of facilities is requested.		

Note: When the number of extensions and/or tie lines is such that cable facilities are required, such cable facilities may be provided for the customer's use and not as a part of the Telephone Company's general distributing plant at charges based upon cost in lieu of above charges where to do so will result in lower charges to the customer.

ISSUED:
January 20, 2009

BY: Darlene N. Terry
Manager - Tariffs
5454 W. 110th Street
Overland Park, Kansas 66211

EFFECTIVE:
February 1, 2009

GENERAL EXCHANGE TARIFF

**Embarq Missouri, Inc.
d/b/a Embarq**

Fourth Revised Page 3 (T)
Cancels Third Revised Page 3 (T)

MILEAGE

II. EXTENSION AND TIE LINE MILEAGE (Cont'd)

B. RATES (Cont'd)

2. Between points not on continuous property.

	<u>Monthly Charge</u>	
a. Extension Lines (MAXPG) including Burglar Alarm (MBCAG BA), Control (MBCAG CL), Data (MBCBG), Fire Alarm (MBCAG FA), Metering (MBCAG ML), Minimum (MBBAG), Telephone Answering Service (MBBAG TAS), Mobile Radio (MBBBG), and Music (MBFCG) Loops, First one-quarter mile or fraction thereof (airline measurement)	\$4.64	
b. Extension Lines (MAXPL) including Burglar Alarm (MBCAL BA), Control (MBCAL CL), Data (MBCBL), Fire Alarm (MBCAL FA), Metering (MBCAL ML), Telephone Answering Service (MBBAL TAS), Mobile Radio (MBBBL), and Music (MBFCL) Loops, Each additional one-quarter mile or fraction thereof (airline measurement)	\$2.63	(T)
c. Tie Lines, including two points of termination, first one-quarter mile or fraction thereof (airline measurement) (MBBAH)	\$4.64	
Each additional one-quarter mile or fraction thereof (airline measurement) (MBBAL)	\$2.63	(T)
d. Service connection charges are applicable at the time service is initiated or when a move of facilities is requested.		

Note: When the number of extensions and/or tie lines is such that cable facilities are required, such cable facilities may be provided for the customer's use and not as a part of the Telephone Company's general distributing plant at charges based upon cost in lieu of above charges where to do so will result in lower charges to the customer.

ISSUED:
August 2, 2007

BY: Darlene N. Terry
Manager - Tariffs
5454 W. 110th Street
Overland Park, Kansas 66211

EFFECTIVE:
September 1, 2007

CANCELLED
February 1, 2009
Missouri Public
Service Commission
JI-2009-0528

FILED
Missouri Public
Service Commission

GENERAL EXCHANGE TARIFF

SPRINT MISSOURI, INC.
d/b/a SPRINT

Third Revised Page 3
Cancels Second Revised Page 3

MILEAGE

II. EXTENSION AND TIE LINE MILEAGE (Cont'd)

B. RATES (Cont'd)

2. Between points not on continuous property.

	<u>Monthly Charge</u>	
a. Extension Lines (MAXPG) including Burglar Alarm (MBCAG BA), Control (MBCAG CL), Data (MBCBG), Fire Alarm (MBCAG FA), Metering (MBCAG ML), Minimum (MBBAG), Telephone Answering Service (MBBAG TAS), Mobile Radio (MBBBG), and Music (MBFCG) Loops, First one-quarter mile or fraction thereof (airline measurement)	\$4.64	
b. Extension Lines (MAXPL) including Burglar Alarm (MBCAL BA), Control (MBCAL CL), Data (MBCBL), Fire Alarm (MBCAL FA), Metering (MBCAL ML), Telephone Answering Service (MBBAL TAS), Mobile Radio (MBBBL), and Music (MBFCL) Loops, Each additional one-quarter mile or fraction thereof (airline measurement)		
	\$2.63	(1) (CT)
	\$2.63	(1) (CT)
c. Tie Lines, including two points of termination, first one-quarter mile or fraction thereof (airline measurement) (MBBAH)	\$4.64	
Each additional one-quarter mile or fraction thereof (airline measurement) (MBBAL)		
	\$2.63	(1) (CT)
	\$2.63	(1) (CT)
d. Service connection charges are applicable at the time service is initiated or when a move of facilities is requested.		

Note: When the number of extensions and/or tie lines is such that cable facilities are required, such cable facilities may be provided for the customer's use and not as a part of the Telephone Company's general distributing plant at charges based upon cost in lieu of above charges where to do so will result in lower charges to the customer.

ISSUED:
December 3, 2004

BY: Richard D. Lawson
State Executive, External Affairs
319 Madison
Jefferson City, MO 65101

EFFECTIVE:
January 18, 2005

CANCELLED
September 1, 2007
Missouri Public
Service Commission

Filed
Missouri Public
Service Commission

REC'D OCT 31 2003

SPRINT MISSOURI, INC.
d/b/a SPRINT

Second Revised Page 3
Service Commission
Cancels First Revised Page 3

MILEAGE

CANCELLED

II. EXTENSION AND TIE LINE MILEAGE (Cont'd)

B. RATES (Cont'd)

2. Between points not on continuous property.

JAN 18 2005
by *3rd RS 3*
Public Service Commission
MISSOURI

Monthly
Charge

- a. Extension Lines (MAXPG) including Burglar Alarm (MBCAG BA), Control (MBCAG CL), Data (MBCBG), Fire Alarm (MBCAG FA), Metering (MBCAG ML), Minimum (MBBAG), Telephone Answering Service (MBBAG TAS), Mobile Radio (MBBBG), and Music (MBFCG) Loops, First one-quarter mile or fraction thereof (airline measurement) \$4.64 (1)
- b. Extension Lines (MAXPL) including Burglar Alarm (MBCAL BA), Control (MBCAL CL), Data (MBCBL), Fire Alarm (MBCAL FA), Metering (MBCAL ML), Telephone Answering Service (MBBAL TAS), Mobile Radio (MBBBL), and Music (MBFCL) Loops, Each additional one-quarter mile or fraction thereof (airline measurement) \$2.44 (1)
- c. Tie Lines, including two points of termination, first one-quarter mile or fraction thereof (airline measurement) (MBAH) \$4.64 (1)

Each additional one-quarter mile or fraction thereof (airline measurement) (MBBAL) \$2.44 (1)
- d. Service connection charges are applicable at the time service is initiated or when a move of facilities is requested.

Note: When the number of extensions and/or tie lines is such that cable facilities are required, such cable facilities may be provided for the customer's use and not as a part of the Telephone Company's general distributing plant at charges based upon cost in lieu of above charges where to do so will result in lower charges to the customer.

ISSUED:
October 31, 2003

BY: Richard D. Lawson
State Executive, External Affairs
319 Madison
Jefferson City, MO 65101

EFFECTIVE:

JAN 17 2004

Missouri Public
Service Commission

17-2004-0225
FILED JAN 17 2004

REC'D OCT 25 2002

GENERAL EXCHANGE TARIFF

Service Commission

SPRINT MISSOURI, INC.
d/b/a SPRINT

First Revised Page 3
Cancels Original Page 3

MILEAGE

CANCELLED

II. EXTENSION AND TIE LINE MILEAGE (Cont'd)

JAN 17 2004

B. RATES (Cont'd)

By *Anders 3*
Public Service Commission
MISSOURI

2. Between points not on continuous property.

Monthly
Charge

- a. Extension Lines (MAXPG) including Burglar Alarm (MBCAG BA), Control (MBCAG CL), Data (MBCBG), Fire Alarm (MBCAG FA), Metering (MBCAG ML), Minimum (MBBAG), Telephone Answering Service (MBBAG TAS), Mobile Radio (MBBBG), and Music (MBFCG) Loops, First one-quarter mile or fraction thereof (airline measurement) \$ 4.30
- b. Extension Lines (MAXPL) including Burglar Alarm (MBCAL BA), Control (MBCAL CL), Data (MBCBL), Fire Alarm (MBCAL FA), Metering (MBCAL ML), Telephone Answering Service (MBBAL TAS), Mobile Radio (MBBBL), and Music (MBFCL) Loops, Each additional one-quarter mile or fraction thereof (airline measurement) \$ 2.26 (1)
- c. Tie Lines, including two points of termination, first one-quarter mile or fraction thereof (airline measurement) (MBBAH) \$ 4.30

Each additional one-quarter mile or fraction thereof (airline measurement) (MBBAL) \$ 2.26 (1)
- d. Service connection charges are applicable at the time service is initiated or when a move of facilities is requested.

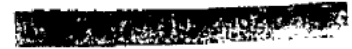
Note: When the number of extensions and/or tie lines is such that cable facilities are required, such cable facilities may be provided for the customer's use and not as a part of the Telephone Company's general distributing plant at charges based upon cost in lieu of above charges where to do so will result in lower charges to the customer.

Missouri Public
Service Commission
17-03-0166
FILED DEC 18 2002

ISSUED:
October 25, 2002

BY: Richard D. Lawson
State Executive, External Affairs
319 Madison
Jefferson City, MO 65101

EFFECTIVE:



DEC 18 2002

UNITED TELEPHONE COMPANY
OF MISSOURI

GENERAL EXCHANGE TARIFF

Original Page 3

MILEAGE

RECEIVED

SEP 17 1992

II. EXTENSION AND TIE LINE MILEAGE (Cont'd)

MISSOURI
PUBLIC SERVICE COMMISSION

B. RATES (Cont'd)

2. Between points not on continuous property.

	<u>Monthly Charge</u>
a. Extension Lines (MAXPG) including Burglar Alarm (MBCAG BA), Control (MBCAG CL), Data (MBCBG), Fire Alarm (MBCAG FA), Metering (MBCAG ML), Minimum (MBBAG), Telephone Answering Service (MBBAG TAS), Mobile Radio (MBBBG), and Music (MBFCG) Loops, First one-quarter mile or fraction thereof (airline measurement)	\$ 4.30
b. Extension Lines (MAXPL) including Burglar Alarm (MBCAL BA), Control (MBCAL CL), Data (MBCBL), Fire Alarm (MBCAL FA), Metering (MBCAL ML), Telephone Answering Service (MBBAL TAS), Mobile Radio (MBBBL), and Music (MBFCL) Loops, Each additional one-quarter mile or fraction thereof (airline measurement)	\$ 2.10
c. Tie Lines, including two points of termination, first one-quarter mile or fraction thereof (airline measurement) (MBBAH)	\$ 4.30
Each additional one-quarter mile or fraction thereof (airline measurement) (MBBAL)	\$ 2.10
d. Service connection charges are applicable at the time service is initiated or when a move of facilities is requested.	

Note: When the number of extensions and/or tie lines is such that cable facilities are required, such cable facilities may be provided for the customer's use and not as a part of the Telephone Company's general distributing plant at charges based upon cost in lieu of above charges where to do so will result in lower charges to the customer.

CANCELLED

FILED

DEC 18 2002

NOV 7 1992

By *JRS 3*
Public Service Commission
MISSOURI

MO. PUBLIC SERVICE COMM.

ISSUED:
September 17, 1992

BY: John L. Roe
Vice President - Administration
5454 West 110th Street
Overland Park, Kansas 66211

EFFECTIVE:
~~October 17, 1992~~
NOV 7 1992

GENERAL EXCHANGE TARIFF

Embarq Missouri, Inc.
d/b/a Embarq

Tenth Revised Page 1
Cancels Ninth Revised Page 1

MISCELLANEOUS EQUIPMENT AND SERVICE

A. TROUBLE ISOLATION CHARGE

The customer shall be responsible for the payment of Telephone Company charges for visits by the Telephone Company to the customer's premises where a service difficulty or trouble report results from customer provided equipment and facilities including inside wire. A one time waiver of this charge per customer per address is allowed. The waiver does not apply, however, to customers who are equipped with a Network Interface Device (NID).

<u>Per Trouble Isolation Call</u>	<u>During Normal Working Hours</u>	<u>After Normal Working Hours</u>
Simple Business/Residence	\$31.32	\$31.32
** Complex Business: (First 1/4 hour)	\$26.46	\$34.56
(Each Add'l. 1/4 hour)	\$10.80	\$16.20

B. SPECIAL TOLL BILLING PLAN

Special Billing Codes, provided by the Telephone Company, may be used by customers to allocate long distance messages to specific stations, departments or accounts.

	<u>Monthly Rate</u>	<u>Nonrecurring Charge</u>
149 Codes, each (ASBSTCC)	\$.45	SCC
50 and above, in groups of 50 codes (ASBFFTY)	\$20.00	SCC

C. RETURNED CHECK CHARGE

A Returned Check Charge is applied to checks returned by the bank for insufficient funds, unable to locate account, account closed, balance held, drawn against uncollected funds, two signatures required, account garnisheed, endorsement incorrect, or payment stopped. A Returned Check Charge will not apply to checks returned by the bank when they are returned because of a Telephone Company error.

Service charge, per check returned **\$25.00** (R)

This charge shall be in addition to any other charges found in this or any other section of this tariff.

ISSUED:
December 3, 2007

BY: Darlene N. Terry
Manager - Tariffs
5454 W. 110th Street
Overland Park, Kansas 66211

EFFECTIVE:
January 30, 2008

GENERAL EXCHANGE TARIFF

**Embarq Missouri, Inc.
d/b/a Embarq**

Ninth Revised Page 1 (T)
Cancels Eighth Revised Page 1 (T)

MISCELLANEOUS EQUIPMENT AND SERVICE

A. TROUBLE ISOLATION CHARGE

The customer shall be responsible for the payment of Telephone Company charges for visits by the Telephone Company to the customer's premises where a service difficulty or trouble report results from customer provided equipment and facilities including inside wire. A one time waiver of this charge per customer per address is allowed. The waiver does not apply, however, to customers who are equipped with a Network Interface Device (NID).

<u>Per Trouble Isolation Call</u>	<u>During Normal Working Hours</u>	<u>After Normal Working Hours</u>	
Simple Business/Residence	\$31.32	\$31.32	(T)
** Complex Business: (First 1/4 hour)	\$26.46	\$34.56	(T)
(Each Add'l. 1/4 hour)	\$10.80	\$16.20	(T)

B. SPECIAL TOLL BILLING PLAN

Special Billing Codes, provided by the Telephone Company, may be used by customers to allocate long distance messages to specific stations, departments or accounts.

	<u>Monthly Rate</u>	<u>Nonrecurring Charge</u>	(T)
149 Codes, each (ASBSTCC)	\$.45	SCC	
50 and above, in groups of 50 codes (ASBFFTY)	\$20.00	SCC	

C. RETURNED CHECK CHARGE

A Returned Check Charge is applied to checks returned by the bank for insufficient funds, unable to locate account, account closed, balance held, drawn against uncollected funds, two signatures required, account garnisheed, endorsement incorrect, or payment stopped. A Returned Check Charge will not apply to checks returned by the bank when they are returned because of a Telephone Company error.

Service charge, per check returned \$27.15

This charge shall be in addition to any other charges found in this or any other section of this tariff.

ISSUED:
August 2, 2007

BY: Darlene N. Terry
Manager - Tariffs
5454 W. 110th Street
Overland Park, Kansas 66211

EFFECTIVE:
September 1, 2007

GENERAL EXCHANGE TARIFF

SPRINT MISSOURI, INC.
d/b/a SPRINT

Eighth Revised Index Page 1
Cancels Seventh Revised Index Page 1

MISCELLANEOUS EQUIPMENT AND SERVICE

<u>CONTENTS</u>	<u>PAGE</u>	
Billed Number Screening.....	3	
Call Line Identifier	18	(N)
Data Bridging Service.....	5	
Lifeline Service	13	
Private Branch Exchange Service.....	6	
Private Line Signaling Unit	3	
Remote Call Forwarding.....	11	
Returned Check Charge.....	1	
Rotary Hunt Service	4	
Selective Class of Call Screening	4	
Special Toll Billing Plan	1	
Subscriber Transfer Service.....	2	
Toll and Casual Dialing Restriction	16	
Toll Restriction.....	2	
Trouble Isolation Charge.....	1	
900 Service Access Restriction.....	10	

ISSUED:
July 30, 2004

BY: Richard D. Lawson
State Executive, External Affairs
319 Madison
Jefferson City, MO 65101

EFFECTIVE:
September 1, 2004

CANCELLED
September 1, 2007
Missouri Public
Service Commission

Filed
Missouri Public
Service Commission

REC'D OCT 31 2003

GENERAL EXCHANGE TARIFF

SPRINT MISSOURI, INC.
d/b/a SPRINT

Service Commission
Seventh Revised Page 1
Cancels Sixth Revised Page 1

MISCELLANEOUS EQUIPMENT AND SERVICE

A. TROUBLE ISOLATION CHARGE

The customer shall be responsible for the payment of Telephone Company charges for visits by the Telephone Company to the customer's premises where a service difficulty or trouble report results from customer provided equipment and facilities including inside wire. A one time waiver of this charge per customer per address is allowed. The waiver does not apply, however, to customers who are equipped with a Network Interface Device (NID).

<u>Per Trouble Isolation Call</u>	<u>During Normal Working Hours</u>	<u>After Normal Working Hours</u>	
Simple Business/Residence	\$29.00	\$29.00	(1)
** Complex Business: (First 1/4 hour)	\$24.50	\$32.00	
(Each Add'l. 1/4 hour)	\$10.00	\$15.00	

B. SPECIAL TOLL BILLING PLAN

Special Billing Codes, provided by the Telephone Company, may be used by customers to allocate long distance messages to specific stations, departments or accounts.

	<u>Monthly Rate</u>	<u>NRC</u>
149 Codes, each (ASBSTCC)	\$.45	SCC
50 and above, in groups of 50 codes (ASBFFTY)	\$20.00	SCC

C. RETURNED CHECK CHARGE

A Returned Check Charge is applied to checks returned by the bank for insufficient funds, unable to locate account, account closed, balance held, drawn against uncollected funds, two signatures required, account garnished, endorsement incorrect, or payment stopped. A Returned Check Charge will not apply to checks returned by the bank when they are returned because of a Telephone Company error.

Service charge, per check returned	\$27.00	(1)
------------------------------------	---------	-----

This charge shall be in addition to any other charges found in this or any other section of this tariff.

CANCELLED

JAN 18 2005

By *SR*
Public Service Commission
MISSOURI

ISSUED:
October 31, 2003

BY: Richard D. Lawson
State Executive, External Affairs
319 Madison
Jefferson City, MO 65101

EFFECTIVE:

JAN 17 2004

Missouri Public
Service Commission

IT-2004-0225
FILED JAN 17 2004

GENERAL EXCHANGE TARIFF

SPRINT MISSOURI, INC.
d/b/a SPRINT

Sixth Revised Index Page 1
Cancels Fifth Revised Index Page 1

MISCELLANEOUS EQUIPMENT AND SERVICES

CONTENTS

Missouri Public

PAGE

Billed Number Screening	REC'D MAY 31 2002	3	(N)
Data Bridging Service.....		5	
Lifeline Service.....	Service Commission	13	
Private Branch Exchange Service.....		6	
Private Line Signaling Unit.....		3	
Remote Call Forwarding.....		11	
Returned Check Charge.....		1	
Rotary Hunt Service.....		4	
Selective Class of Call Screening.....		4	
Special Toll Billing Plan.....		1	
Subscriber Transfer Service.....		2	
Toll Restriction.....		2	
Trouble Isolation Charge.....		1	
900 Service Access Restriction.....		10	

CANCELLED

SEP 09 2003
RSI
Public Service Commission
MISSOURI

Missouri Public

FILED JUL 15 2002

Service Commission

ISSUED:
May 31, 2002

BY: Richard D. Lawson
State Executive, External Affairs
319 Madison
Jefferson City, MO 65101

EFFECTIVE:
July 15, 2002

GENERAL EXCHANGE TARIFF

SPRINT MISSOURI, INC.
d/b/a SPRINT

Fifth Revised Index Page 1
Cancels Fourth Revised Index Page 1

MISCELLANEOUS EQUIPMENT AND SERVICES

Missouri Public

CONTENTS

REC'D AUG 17 2001

Data Bridging Service.....	Service Commission	5	
Lifeline Service.....		13	
Private Branch Exchange Service.....		6	
Private Line Signaling Unit.....		3	
Remote Call Forwarding.....		11	
Returned Check Charge.....		1	
Rotary Hunt Service.....		4	
Selective Class of Call Screening.....		3	
Special Toll Billing Plan.....		1	
Subscriber Transfer Service.....		2	
Toll Restriction.....		2	
Trouble Isolation Charge.....		1	(RT)
900 Service Access Restriction.....		10	

CANCELLED

JUL 15 2002

By/for RS 1
Public Service Commission
MISSOURI

Missouri Public

FILED SEP 17 2001

Service Commission

ISSUED:
August 17, 2001

BY: Richard D. Lawson
State Executive, External Affairs
319 Madison
Jefferson City, MO 65101

EFFECTIVE:
September 17, 2001

GENERAL EXCHANGE TARIFF

SPRINT MISSOURI, INC.
d/b/a SPRINT

Fourth Revised Index Page 1
Cancels Third Revised Index Page 1
FEB 18 1998

RECEIVED

MISCELLANEOUS EQUIPMENT AND SERVICES

MO. PUBLIC SERVICE COMMISSION
PAGE

CONTENTS

Data Bridging Service.....	5	
Lifeline Service.....	13	
Private Branch Exchange Service.....	6	
Private Line Signaling Unit.....	3	
Remote Call Forwarding.....	11	(AT)
Returned Check Charge.....	1	
Rotary Hunt Service.....	4	
Selective Class of Call Screening.....	3	
Special Toll Billing Plan.....	1	
Subscriber Transfer Service.....	2	
Toll Restriction.....	2	
Touch Tone.....	3	
Trouble Isolation Charge.....	1	
900 Service Access Restriction.....	10	

CANCELLED

SEP 17 2001
By *SMRIP#1*
Public Service Commission
MISSOURI

FILED

MAR 20 1998

MISSOURI
Public Service Commission

ISSUED:
February 18, 1998

BY: John L. Roe
Vice President - State Regulatory
5454 West 110th Street
Overland Park, Kansas 66211

EFFECTIVE:
March 20, 1998

GENERAL EXCHANGE TARIFF

UNITED TELEPHONE COMPANY
OF MISSOURI d/b/a SPRINT

Third Revised Index Page 1
Cancels Second Revised Index Page 1

DEC 31 1997

MISCELLANEOUS EQUIPMENT AND SERVICES

CONTENTS

PAGE NICE COM

Data Bridging Service.....	5	
Lifeline Service.....	13	(NT)
Private Branch Exchange Service.....	6	
Private Line Signaling Unit.....	3	
Returned Check Charge.....	1	
Rotary Hunt Service.....	4	
Selective Class of Call Screening.....	3	
Special Toll Billing Plan.....	1	
Subscriber Transfer Service.....	2	
Toll Restriction.....	2	(CT)
Touch Tone.....	3	
Trouble Isolation Charge.....	1	
900 Service Access Restriction.....	10	

CANCELLED

MAR 20 1998
By 4th Rev. Index pg. 1
Public Service Commission
MISSOURI

FILED

DEC 31 1997

MISSOURI
Public Service Commission
EFFECTIVE:

ISSUED:
December 1, 1997

BY: John L. Roe
Vice President - Carrier and Regulatory Services
5454 West 110th Street
Overland Park, Kansas 66211

December 31, 1997

GENERAL EXCHANGE TARIFF

RECEIVED

UNITED TELEPHONE COMPANY
OF MISSOURI d/b/a SPRINT

Second Revised Index Page 1 1997
Cancels First Revised Index Page 1

MO. PUBLIC SERVICE COMMISSION

MISCELLANEOUS EQUIPMENT AND SERVICES

CONTENTS

PAGE

Data Bridging Service.....	5	
Private Branch Exchange Service.....	6	
Private Line Signaling Unit.....	3	
Returned Check Charge.....	1	(AT)
Rotary Hunt Service.....	4	
Selective Class of Call Screening.....	3	
Special Toll Billing Plan.....	1	
Subscriber Transfer Service.....	2	
Toll Access Restriction.....	2	
Touch Tone.....	3	
Trouble Isolation Charge.....	1	
900 Service Access Restriction.....	10	

CANCELLED

DEC 31 1997

By *3rd RS # Ind #1*
Public Service Commission
MISSOURI

FILED

AUG 22 1997

MISSOURI
Public Service Commission
EFFECTIVE:
August 22, 1997

ISSUED:
July 22, 1997

BY: John L. Roe
VP - Carrier & Regulatory Services
5454 West 110th Street
Overland Park, Kansas 66211

GENERAL EXCHANGE TARIFF

UNITED TELEPHONE COMPANY
OF MISSOURI d/b/a SPRINT

First Revised Index Page 1
Cancels Original Index Page 1

MISCELLANEOUS EQUIPMENT AND SERVICES **RECEIVED**

CONTENTS

PAGE

JAN 15 1997

(RT)

Data Bridging Service	5
Private Branch Exchange Service	3
Private Line Signaling Unit	4
Rotary Hunt Service	3
Selective Class of Call Screening	1
Special Toll Billing Plan	2
Subscriber Transfer Service	2
Toll Access Restriction	3
Touch Tone	1
Trouble Isolation Charge	10
900 Service Access Restriction	

CANCELLED

AUG 22 1997
By 2nd R.S. #1 (Index)
Public Service Commission
MISSOURI

FILED

APR 15 1997

ISSUED:
January 15, 1997

BY: John L. Roe
Vice President - Carrier & Regulatory Services
5454 West 110th Street
Overland Park, Kansas 66211

MO. PUBLIC SERVICE COMMISSION
EFFECTIVE
APR 15 1997

RECEIVED

UNITED TELEPHONE COMPANY
OF MISSOURI

GENERAL EXCHANGE TARIFF

Original Index Page 1
SLP 17 1992

MISCELLANEOUS EQUIPMENT AND SERVICES

MISSOURI
Public Service Commission

CONTENTS

PAGE

Booths for Coin Telephones	1
Data Bridging Service	5
Private Branch Exchange Service	6
Private Line Signaling Unit	3
Rotary Hunt Service	4
Selective Class of Call Screening	3
Special Toll Billing Plan	1
Subscriber Transfer Service	2
Toll Access Restriction	2
Touch Tone	3
Trouble Isolation Charge	1
900 Service Access Restriction.	10

CANCELLED

APR 15 1997
BY let R.S. #1
Public Service Commission
MISSOURI

FILED

NOV 7 1992

MO. PUBLIC SERVICE COMM.

EFFECTIVE:

~~October 17, 1992~~

NOV 7 1992

ISSUED:
September 17, 1992

BY: John L. Roe
Vice President - Administration
5454 West 110th Street
Overland Park, Kansas 66211

GENERAL EXCHANGE TARIFF

Embarq Missouri, Inc.
d/b/a Embarq

Fourteenth Revised Page 2
Cancels Thirteenth Revised Page 2

MISCELLANEOUS EQUIPMENT AND SERVICE

D. SUBSCRIBER TRANSFER SERVICE

	<u>Monthly Rate</u>	<u>Installation Charge</u>
To transfer calls from one straight line service to another. (AAASBTR)	\$6.50	Per SCC Section

E. TOLL RESTRICTION⁽¹⁾

(C)

1. General

Toll Restriction service provides a means of restricting access to the Long Distance Message Telecommunications Network by direct dial or operator handled.

The service may be provided to individual line customers in exchanges equipped to program the service without alteration of the central office equipment. Toll Restrictions may be provided on access lines in connection with PBX or Centrex services.

1+710 Government Emergency Telecommunications Service Calls will not be blocked in the central office and will be completed.

Lifeline subscribers may receive toll restriction **services** without paying a monthly or non-recurring charge.

(T)

Restriction of access to operator services prevents the customer from dialing an operator for all purposes including emergencies, assistance and the placing of toll calls. The customer indemnifies and saves harmless the Telephone Company from any and all claims, losses or damages caused by restriction of access to operator services.

2. Rates and Charges

These rates and charges are in addition to the established monthly and non-recurring charges applicable to services or equipment associated with Toll Restriction service.

	<u>Monthly Rate</u>	<u>Nonrecurring Charge</u>
Toll Restriction (FCE1TLL)	\$4.00	Per SCC Section (Service Order Charge Applies)

⁽¹⁾ **Toll Restriction is limited to existing customers at existing locations as of May 1, 2009.**

(N)

ISSUED:
April 1, 2009

BY: Darlene N. Terry
Manager - Tariffs
5454 W. 110th Street
Overland Park, Kansas 66211

EFFECTIVE:
May 1, 2009

GENERAL EXCHANGE TARIFF

Embarq Missouri, Inc.
d/b/a Embarq

Thirteenth Revised Page 2
Cancels Twelfth Revised Page 2

MISCELLANEOUS EQUIPMENT AND SERVICE

D. SUBSCRIBER TRANSFER SERVICE

	<u>Monthly Rate</u>	<u>Installation Charge</u>
To transfer calls from one straight line service to another. (AAASBTR)	\$6.50	Per SCC Section

E. TOLL RESTRICTION

1. General

Toll Restriction service provides a means of restricting access to the Long Distance Message Telecommunications Network by direct dial or operator handled.

The service may be provided to individual line customers in exchanges equipped to program the service without alteration of the central office equipment. Toll Restrictions may be provided on access lines in connection with PBX or Centrex services.

1+710 Government Emergency Telecommunications Service Calls will not be blocked in the central office and will be completed.

Lifeline subscribers may receive Toll Restriction Service without paying a monthly or non-recurring charge.

Restriction of access to operator services prevents the customer from dialing an operator for all purposes including emergencies, assistance and the placing of toll calls. The customer indemnifies and saves harmless the Telephone Company from any and all claims, losses or damages caused by restriction of access to operator services.

2. Rates and Charges

These rates and charges are in addition to the established monthly and non-recurring charges applicable to services or equipment associated with Toll Restriction service.

	<u>Monthly Rate</u>	<u>Nonrecurring Charge</u>	
Toll Restriction (FCE1TLL)	\$4.00	Per SCC Section (Service Order Charge Applies)	(1)

ISSUED:
January 20, 2009

BY: Darlene N. Terry
Manager - Tariffs
5454 W. 110th Street
Overland Park, Kansas 66211

EFFECTIVE:
February 1, 2009

CANCELLED
May 1, 2009
Missouri Public
Service Commission
JI-2009-0711

FILED
Missouri Public
Service Commission
JI-2009-0528

GENERAL EXCHANGE TARIFF

Embarq Missouri, Inc.
d/b/a Embarq

Twelfth Revised Page 2
Cancels Eleventh Revised Page 2

MISCELLANEOUS EQUIPMENT AND SERVICE

D. SUBSCRIBER TRANSFER SERVICE

	<u>Monthly Rate</u>	<u>Installation Charge</u>
To transfer calls from one straight line service to another. (AAASBTR)	\$6.50	Per SCC Section

E. TOLL RESTRICTION

1. General

Toll Restriction service provides a means of restricting access to the Long Distance Message Telecommunications Network by direct dial or operator handled.

The service may be provided to individual line customers in exchanges equipped to program the service without alteration of the central office equipment. Toll Restrictions may be provided on access lines in connection with PBX or Centrex services.

1+710 Government Emergency Telecommunications Service Calls will not be blocked in the central office and will be completed.

Lifeline subscribers may receive Toll Restriction Service without paying a monthly or non-recurring charge.

Restriction of access to operator services prevents the customer from dialing an operator for all purposes including emergencies, assistance and the placing of toll calls. The customer indemnifies and saves harmless the Telephone Company from any and all claims, losses or damages caused by restriction of access to operator services.

2. Rates and Charges

These rates and charges are in addition to the established monthly and non-recurring charges applicable to services or equipment associated with Toll Restriction service.

	<u>Monthly Rate</u>	<u>Nonrecurring Charge</u>	
Toll Restriction (FCE1TLL)	\$2.35	Per SCC Section (Service Order Charge Applies)	(l)

ISSUED:
December 3, 2007

BY: Darlene N. Terry
Manager - Tariffs
5454 W. 110th Street
Overland Park, Kansas 66211

EFFECTIVE:
January 30, 2008

CANCELLED
February 1, 2009
Missouri Public
Service Commission
JI-2009-0528

FILED
Missouri Public
Service Commission

GENERAL EXCHANGE TARIFF

Embarq Missouri, Inc.
d/b/a Embarq

Eleventh Revised Page 2 (T)
 Cancels Tenth Revised Page 2 (T)

MISCELLANEOUS EQUIPMENT AND SERVICE

D. SUBSCRIBER TRANSFER SERVICE

	<u>Monthly Rate</u>	<u>Installation Charge</u>
To transfer calls from one straight line service to another. (AAASBTR)	\$6.50	Per SCC Section

E. TOLL RESTRICTION

1. General

Toll Restriction service provides a means of restricting access to the Long Distance Message Telecommunications Network by direct dial or operator handled.

The service may be provided to individual line customers in exchanges equipped to program the service without alteration of the central office equipment. Toll Restrictions may be provided on access lines in connection with PBX or Centrex services.

1+710 Government Emergency Telecommunications Service Calls will not be blocked in the central office and will be completed.

Lifeline subscribers may receive Toll Restriction Service without paying a monthly or non-recurring charge.

Restriction of access to operator services prevents the customer from dialing an operator for all purposes including emergencies, assistance and the placing of toll calls. The customer indemnifies and saves harmless the Telephone Company from any and all claims, losses or damages caused by restriction of access to operator services.

2. Rates and Charges

These rates and charges are in addition to the established monthly and non-recurring charges applicable to services or equipment associated with Toll Restriction service.

	<u>Monthly Rate</u>	Nonrecurring Charge	
Toll Restriction (FCE1TLL)	\$2.25	Per SCC Section (Service Order Charge Applies)	(T)

(D)
 |
 (D)

ISSUED:
 August 2, 2007

BY: Darlene N. Terry
 Manager - Tariffs
 5454 W. 110th Street
 Overland Park, Kansas 66211

EFFECTIVE:
 September 1, 2007

CANCELLED
 January 30, 2008
 Missouri Public
 Service Commission

FILED
 Missouri Public
 Service Commission

GENERAL EXCHANGE TARIFF

SPRINT MISSOURI, INC.
d/b/a SPRINT

Tenth Revised Page 2
Cancels Ninth Revised Page 2

MISCELLANEOUS EQUIPMENT AND SERVICE

D. SUBSCRIBER TRANSFER SERVICE

	<u>Monthly Rate</u>	<u>Installation Charge</u>
To transfer calls from one straight line service to another. (AAASBTR)	\$6.50	Per SCC Section

E. TOLL RESTRICTION

1. General

Toll Restriction service provides a means of restricting access to the Long Distance Message Telecommunications Network by direct dial or operator handled.

The service may be provided to individual line customers in exchanges equipped to program the service without alteration of the central office equipment. Toll Restrictions may be provided on access lines in connection with PBX or Centrex services.

1+710 Government Emergency Telecommunications Service Calls will not be blocked in the central office and will be completed.

Lifeline subscribers may receive Toll Restriction Service without paying a monthly or non-recurring charge.

Restriction of access to operator services prevents the customer from dialing an operator for all purposes including emergencies, assistance and the placing of toll calls. The customer indemnifies and saves harmless the Telephone Company from any and all claims, losses or damages caused by restriction of access to operator services.

2. Rates and Charges

These rates and charges are in addition to the established monthly and non-recurring charges applicable to services or equipment associated with Toll Restriction service.

	<u>Monthly Rate</u>	<u>Non-Recurring Charge</u>	
Toll Restriction (FCE1TLL)			
<i>Non-Competitive Exchanges</i>	\$2.25	Per SCC Section (Service Order Charge Applies)	(1) (CT)
<i>Competitive Exchanges</i>	\$2.25	Per SCC Section (Service Order Charge Applies)	(1) (CT)

ISSUED:
December 3, 2004

BY: Richard D. Lawson
State Executive, External Affairs
319 Madison
Jefferson City, MO 65101

EFFECTIVE:
January 18, 2005

CANCELLED
September 1, 2007
Missouri Public
Service Commission

Filed
Missouri Public
Service Commission

REC'D OCT 31 2003

P.S.C. MO.-No. 22 Section 18

GENERAL EXCHANGE TARIFF

SPRINT MISSOURI, INC.
d/b/a SPRINT

Service Commission
Ninth Revised Page 2
Cancels Eighth Revised Page 2

MISCELLANEOUS EQUIPMENT AND SERVICE

D. SUBSCRIBER TRANSFER SERVICE

	<u>Monthly Rate</u>	<u>Installation Charge</u>
To transfer calls from one straight line service to another. (AAASBTR)	\$6.50	Per SCC Section

E. TOLL RESTRICTION

1. General

Toll Restriction service provides a means of restricting access to the Long Distance Message Telecommunications Network by direct dial or operator handled.

The service may be provided to individual line customers in exchanges equipped to program the service without alteration of the central office equipment. Toll Restrictions may be provided on access lines in connection with PBX or Centrex services.

1+710 Government Emergency Telecommunications Service Calls will not be blocked in the central office and will be completed.

Lifeline subscribers may receive Toll Restriction Service without paying a monthly or non-recurring charge.

Restriction of access to operator services prevents the customer from dialing an operator for all purposes including emergencies, assistance and the placing of toll calls. The customer indemnifies and saves harmless the Telephone Company from any and all claims, losses or damages caused by restriction of access to operator services.

2. Rates and Charges

These rates and charges are in addition to the established monthly and non-recurring charges applicable to services or equipment associated with Toll Restriction service.

	<u>Monthly Rate</u>	<u>Non-Recurring Charge</u>	
Toll Restriction (FCE1TLL)	\$2.15	Per SCC Section (Service Order Charge Applies)	(1)

CANCELLED

JAN 18 2005

L. Lawson
Public Service Commission
MISSOURI

ISSUED:
October 31, 2003

BY: Richard D. Lawson
State Executive, External Affairs
319 Madison
Jefferson City, MO 65101

EFFECTIVE:

JAN 17 2004

Missouri Public
Service Commission

17-2004-0225
FILED JAN 17 2004

REC'D OCT 25 2002

SPRINT MISSOURI, INC.
d/b/a SPRINT

Service Commission
Eighth Revised Page 2
Cancels Seventh Revised Page 2

MISCELLANEOUS EQUIPMENT AND SERVICE

D. SUBSCRIBER TRANSFER SERVICE

	<u>Monthly Rate</u>	<u>Installation Charge</u>
To transfer calls from one straight line service to another. (AAASBTR)	\$ 6.50	Per SCC Section

E. TOLL RESTRICTION

1. General

Toll Restriction service provides a means of restricting access to the Long Distance Message Telecommunications Network by direct dial or operator handled.

The service may be provided to individual line customers in exchanges equipped to program the service without alteration of the central office equipment. Toll Restrictions may be provided on access lines in connection with PBX or Centrex services.

1+710 Government Emergency Telecommunications Service Calls will not be blocked in the central office and will be completed.

Lifeline subscribers may receive Toll Restriction Service without paying a monthly or non-recurring charge.

Restriction of access to operator services prevents the customer from dialing an operator for all purposes including emergencies, assistance and the placing of toll calls. The customer indemnifies and saves harmless the Telephone Company from any and all claims, losses or damages caused by restriction of access to operator services.

2. Rates and Charges

These rates and charges are in addition to the established monthly and non-recurring charges applicable to services or equipment associated with Toll Restriction service.

	<u>Monthly Rate</u>	<u>Non-Recurring Charge</u>
Toll Restriction (ECE1TLL)	\$ 2.00	Per SCC Section (Service Order Charge Applies)

CANCELLED
JAN 17 2004
By *QARS2*
Public Service Commission
MISSOURI

Missouri Public
Service Commission
IT-03-0166
FILED DEC 18 2002

ISSUED:
October 25, 2002

BY: Richard D. Lawson
State Executive, External Affairs
319 Madison
Jefferson City, MO 65101

EFFECTIVE:
October 25, 2002

DEC 18 2002

P.S.C. MO.-No. 22 Section 18
GENERAL EXCHANGE TARIFF

SPRINT MISSOURI, INC.
d/b/a SPRINT

Seventh Revised Page 2
Cancels Sixth Revised Page 2
Missouri Public

MISCELLANEOUS EQUIPMENT AND SERVICE

REC'D SEP 13 2002

D. SUBSCRIBER TRANSFER SERVICE

	<u>Monthly Rate</u>	<u>Installation Charge</u>
To transfer calls from one straight line service to another. (AAASBTR)	\$ 6.50	Per SCC Section

Service Commission

E. TOLL RESTRICTION

1. General

Toll Restriction service provides a means of restricting access to the Long Distance Message Telecommunications Network by direct dial or operator handled.

The service may be provided to individual line customers in exchanges equipped to program the service without alteration of the central office equipment. Toll Restrictions may be provided on access lines in connection with PBX or Centrex services.

1+710 Government Emergency Telecommunications Service Calls will not be blocked in the central office and will be completed. (T)

Lifeline subscribers may receive Toll Restriction Service without paying a monthly or non-recurring charge.

Restriction of access to operator services prevents the customer from dialing an operator for all purposes including emergencies, assistance and the placing of toll calls. The customer indemnifies and saves harmless the Telephone Company from any and all claims, losses or damages caused by restriction of access to operator services.

2. Rates and Charges

These rates and charges are in addition to the established monthly and non-recurring charges applicable to services or equipment associated with Toll Restriction service.

	<u>Monthly Rate</u>	<u>Non-Recurring Charge</u>
Toll Restriction (FCE1TLL)	\$ 1.95	Per SCC Section (Service Order Charge Applies)

CANCELLED

DEC 18 2002

By *RS2*
Public Service Commission
MISSOURI

ISSUED:
September 13, 2002

BY: Richard D. Lawson
State Executive, External Affairs
319 Madison
Jefferson City, MO 65101

EFFECTIVE:
October 13, 2002
Missouri Public

FILED OCT 13 2002

Service Commission

P.S.C. MO.-No. 22 Section 18
GENERAL EXCHANGE TARIFF

SPRINT MISSOURI, INC.
d/b/a SPRINT

Sixth Revised Page 2
Cancels Fifth Revised Page 2

MISCELLANEOUS EQUIPMENT AND SERVICE

Missouri Public

REC'D APR 16 2002

D. SUBSCRIBER TRANSFER SERVICE

	<u>Monthly Rate</u>	<u>Installation Charge</u>
To transfer calls from one straight line service to another. (AAASBTR)	\$ 6.50	Per SCC Section

Service Commission

E. TOLL RESTRICTION

1. **General** (N)

Toll Restriction service provides a means of restricting access to the Long Distance Message Telecommunications Network by direct dial or operator handled.

The service may be provided to individual line customers in exchanges equipped to program the service without alteration of the central office equipment. Toll Restrictions may be provided on access lines in connection with PBX or Centrex services.

1+711 Government Emergency Telecommunications Service Calls will not be blocked in the central office and will be completed. (N)

Lifeline subscribers may receive Toll Restriction Service without paying a monthly or non-recurring charge.

Restriction of access to operator services prevents the customer from dialing an operator for all purposes including emergencies, assistance and the placing of toll calls. The customer indemnifies and saves harmless the Telephone Company from any and all claims, losses or damages caused by restriction of access to operator services.

2. **Rates and Charges** (T)

These rates and charges are in addition to the established monthly and non-recurring charges applicable to services or equipment associated with Toll Restriction service.

	<u>Monthly Rate</u>	<u>Non-Recurring Charge</u>
Toll Restriction (FCE1TLL)	\$ 1.95	Per SCC Section (Service Order Charge Applies)

CANCELLED

Missouri Public

FILED MAY 16 2002

ISSUED:
April 16, 2002

Public Service Commission
MISSOURI

Service Commission

EFFECTIVE:
May 16, 2002

BY: Richard D. Lawson
State Executive, External Affairs
319 Madison
Jefferson City, MO 65101

REC'D OCT 26 2001

GENERAL EXCHANGE TARIFF

Service Commission

SPRINT MISSOURI, INC.
d/b/a SPRINT

Fifth Revised Page 2
Cancels Fourth Revised Page 2

MISCELLANEOUS EQUIPMENT AND SERVICE

D. SUBSCRIBER TRANSFER SERVICE

	<u>Monthly Rate</u>	<u>Installation Charge</u>
To transfer calls from one straight line service to another. (AAASBTR)	\$ 6.50	Per SCC Section

E. TOLL RESTRICTION

Toll Restriction service provides a means of restricting access to the Long Distance Message Telecommunications Network by direct dial or operator handled.

The service may be provided to individual line customers in exchanges equipped to program the service without alteration of the central office equipment. Toll Restrictions may be provided on access lines in connection with PBX or Centrex services.

Lifeline subscribers may receive Toll Restriction Service without paying a monthly or non-recurring charge.

Restriction of access to operator services prevents the customer from dialing an operator for all purposes including emergencies, assistance and the placing of toll calls. The customer indemnifies and saves harmless the Telephone Company from any and all claims, losses or damages caused by restriction of access to operator services.

Rates

These rates and charges are in addition to the established monthly and non-recurring charges applicable to services or equipment associated with Toll Restriction service.

	<u>Monthly Rate</u>	<u>Non-Recurring Charge</u>	
Toll Restriction (FCE1TLL)	\$ 1.95	Per SCC Section (Service Order Charge Applies)	(CR)

CANCELLED

MAY 16 2002
1. Keith RS 2
Public Service Commission
MISSOURI

ISSUED:
October 26, 2001

BY: Richard D. Lawson
State Executive, External Affairs
319 Madison
Jefferson City, MO 65101

EFFECTIVE:
December 11, 2001

Missouri Public

FILED DEC 11 2001

02-251
Service Commission

GENERAL EXCHANGE TARIFF

SPRINT MISSOURI, INC.
d/b/a SPRINT

Fourth Revised Page 2
Cancels Third Revised Page 2

MISCELLANEOUS EQUIPMENT AND SERVICE **Missouri Public Service Commission**

D. SUBSCRIBER TRANSFER SERVICE

REC'D OCT 27 2000

	<u>Monthly Rate</u>	<u>Installation Charge</u>
To transfer calls from one straight line service to another. (AASBTR)	\$ 6.50	Per SCC Section

E. TOLL RESTRICTION

Toll Restriction service provides a means of restricting access to the Long Distance Message Telecommunications Network by direct dial or operator handled.

The service may be provided to individual line customers in exchanges equipped to program the service without alteration of the central office equipment. Toll Restrictions may be provided on access lines in connection with PBX or Centrex services.

Lifeline subscribers may receive Toll Restriction Service without paying a monthly or non-recurring charge.

Restriction of access to operator services prevents the customer from dialing an operator for all purposes including emergencies, assistance and the placing of toll calls. The customer indemnifies and saves harmless the Telephone Company from any and all claims, losses or damages caused by restriction of access to operator services.

Rates

These rates and charges are in addition to the established monthly and non-recurring charges applicable to services or equipment associated with Toll Restriction service.

	<u>Monthly Rate</u>	<u>Non-Recurring Charge</u>	
Toll Restriction (FCE1TLL)	\$ 1.80	Per SCC Section (Service Order Charge Applies)	(CR)

CANCELLED

DEC 11 2001
By *JUN RP2*
Public Service Commission
MISSOURI

Missouri Public Service Commission

FILED DEC 11 2000

ISSUED:
October 27, 2000

BY: Richard D. Lawson
State Executive, External Affairs
319 Madison
Jefferson City, MO 65101

EFFECTIVE:
December 11, 2000

GENERAL EXCHANGE TARIFF

SPRINT MISSOURI, INC.
d/b/a SPRINT

Third Revised Page 2
Cancels Second Revised Page 2

Missouri Public Service Commission

MISCELLANEOUS EQUIPMENT AND SERVICE

REC'D JAN 26 2000

D. SUBSCRIBER TRANSFER SERVICE

	<u>Monthly Rate</u>	<u>Installation Charge</u>	(C)
To transfer calls from one straight line service to another. (AAASBTR)	\$ 6.50	Per SCC Section	(C)

E. TOLL RESTRICTION

Toll Restriction service provides a means of restricting access to the Long Distance Message Telecommunications Network by direct dial or operator handled.

The service may be provided to individual line customers in exchanges equipped to program the service without alteration of the central office equipment. Toll Restrictions may be provided on access lines in connection with PBX or Centrex services.

Lifeline subscribers may receive Toll Restriction Service without paying a monthly or non-recurring charge.

Restriction of access to operator services prevents the customer from dialing an operator for all purposes including emergencies, assistance and the placing of toll calls. The customer indemnifies and saves harmless the Telephone Company from any and all claims, losses or damages caused by restriction of access to operator services.

Rates

These rates and charges are in addition to the established monthly and non-recurring charges applicable to services or equipment associated with Toll Restriction service.

	<u>Monthly Rate</u>	<u>Non-Recurring Charge</u>	(C)
Toll Restriction (FCE1TLL)	\$ 1.70	Per SCC Section (Service Order Charge Applies)	(C)

CANCELLED

DEC 11 2000
By *4th RP 2*
**Public Service Commission
MISSOURI**

Missouri Public Service Commission

FILED MAR 24 2000

ISSUED:
January 26, 2000

BY: Richard D. Lawson
State Executive, External Affairs
319 Madison
Jefferson City, MO 65101

EFFECTIVE:
[REDACTED]

MAR 24 2000

GENERAL EXCHANGE TARIFF

UNITED TELEPHONE COMPANY
OF MISSOURI d/b/a SPRINT

Second Revised Page 2
Cancels First Revised Page 2

RECEIVED

MISCELLANEOUS EQUIPMENT AND SERVICE

DEC 1 1997

D. SUBSCRIBER TRANSFER SERVICE:

Monthly Installation
Rate Charge TO SERVICE COM.

To transfer calls from one straight line service to another. (AAASBTR) \$ 6.50 Per SCC Section

E. TOLL RESTRICTION

(CT)

Toll Restriction service provides a means of restricting access to the Long Distance Message Telecommunications Network by direct dial or operator handled. (CT)

The service may be provided to individual line customers in exchanges equipped to program the service without alteration of the central office equipment. Toll Restrictions may be provided on access lines in connection with PBX or Centrex services. (CT)

Lifeline subscribers may receive Toll Restriction Service without paying a monthly or non-recurring charge. (NT)
(NT)

Restriction of access to operator services prevents the customer from dialing an operator for all purposes including emergencies, assistance and the placing of toll calls. The customer indemnifies and saves harmless the Telephone Company from any and all claims, losses or damages caused by restriction of access to operator services.

Rates

These rates and charges are in addition to the established monthly and non-recurring charges applicable to services or equipment associated with Toll Restriction service. (CT)

Monthly Non-Recurring
Rate Charge

Toll Restriction (FCE1TLL)

\$ 1.70 Per SCC Section

(CT)

(Service Order Charge Applies)

CANCELLED

MAR 24 2000

By 3rd RP 2
Public Service Commission
MISSOURI

FILED

DEC 31 1997

MISSOURI
Public Service Commission
EFFECTIVE:

ISSUED:
December 1, 1997

BY: John L. Roe
Vice President - Carrier and Regulatory Services
5454 West 110th Street
Overland Park, Kansas 66211

December 31, 1997

UNITED TELEPHONE COMPANY
OF MISSOURI

GENERAL EXCHANGE TARIFF

First Revised Page 2
Cancels Original Page 2

RECEIVED

MISCELLANEOUS EQUIPMENT AND SERVICE

MAY 23 1996

D. SUBSCRIBER TRANSFER SERVICE:

MISSOURI
Public Service Commission
Installation
Charge

Monthly
Rate

To transfer calls from one straight line service to another. (AAASBTR)

\$ 6.50

Per SCC Section

E. TOLL ACCESS RESTRICTION

Toll Access Restriction service provides a means of restricting access to the Long Distance Message Telecommunications Network by direct dial or operator handled.

The service may be provided to individual line customers in exchanges equipped to program the service without alteration of the central office equipment. Toll Access Restrictions may be provided on access lines in connection with PBX or Centrex services.

Restriction of access to operator services prevents the customer from dialing an operator for all purposes including emergencies, assistance and the placing of toll calls. The customer indemnifies and saves harmless the Telephone Company from any and all claims, losses or damages caused by restriction of access to operator services.

Rates

These rates and charges are in addition to the established monthly and non-recurring charges applicable to services or equipment associated with Toll Access Restriction service.

	<u>Monthly</u> <u>Rate</u>	<u>Non-Recurring</u> <u>Charge</u>
Toll Access Restriction (FCE1TLL)	\$ 1.70	Per SCC Section (Service Order Charge Applies)

(AT)
(AT)

CANCELLED

FILED

DEC 31 1997

JUN 24 1996

By Jed RS # 2

Public Service Commission **MO. PUBLIC SERVICE COMM**
MISSOURI

ISSUED:
May 23, 1996

BY: John L. Roe
Vice President - Carrier and Regulatory Services
5454 West 110th Street
Overland Park, Kansas 66211

EFFECTIVE:
June 24, 1996

UNITED TELEPHONE COMPANY
OF MISSOURI

GENERAL EXCHANGE TARIFF

Original Page 2

RECEIVED

MISCELLANEOUS EQUIPMENT AND SERVICE

SEP 17 1992

D. SUBSCRIBER TRANSFER SERVICE:

	<u>Monthly Rate</u>	<u>Installation Charge</u>
To transfer calls from one straight line service to another. (AAASBTR)	\$ 6.50	Per SCC Section

E. TOLL ACCESS RESTRICTION

Toll Access Restriction service provides a means of restricting access to the Long Distance Message Telecommunications Network by direct dial or operator handled.

The service may be provided to individual line customers in exchanges equipped to program the service without alteration of the central office equipment. Toll Access Restrictions may be provided on access lines in connection with PBX or Centrex services.

Restriction of access to operator services prevents the customer from dialing an operator for all purposes including emergencies, assistance and the placing of toll calls. The customer indemnifies and saves harmless the Telephone Company from any and all claims, losses or damages caused by restriction of access to operator services.

Rates

These rates and charges are in addition to the established monthly and non-recurring charges applicable to services or equipment associated with Toll Access Restriction service.

	<u>Monthly Rate</u>	<u>Non-Recurring Charge</u>
Toll Access Restriction (FCE1TLL)	\$ 1.70	Per SCC Section

CANCELLED

JUN 24 1996
BY Let R.S. #2
Public Service Commission
MISSOURI

FILED

NOV 7 1992

MO. PUBLIC SERVICE COMM.

ISSUED:
September 17, 1992

BY: John L. Roe
Vice President - Administration
5454 West 110th Street
Overland Park, Kansas 66211

EFFECTIVE:
~~October 17, 1992~~
NOV 7 1992

P.S.C. MO.-No. 22 Section 18
GENERAL EXCHANGE TARIFF

SPRINT MISSOURI, INC.
d/b/a SPRINT

Fifth Revised Page 3
Cancels Fourth Revised Page 3

MISCELLANEOUS EQUIPMENT AND SERVICE

F. BILLED NUMBER SCREENING

1. General

Billed Number Screening is a service which through operator screening prevents the receipt of incoming collect and/or third number billed calls from being billed to the customer. The customer's telephone number is included in the data base that is made available to companies which provide validation services. Inclusion in the data base indicates these calls will not be allowed for billing to the customer's line. The customer benefits from Billed Number Screening as the service eliminates nuisance third party calls and blocks the receipt of collect calls.

Operator screening of incoming collect, international collect and third number billed calls is limited to Local Exchange Companies or Carriers which access the validation data base and cannot be guaranteed. Therefore, charges for any such calls received from a Local Exchange Company or Carrier not accessing the validation data base will be the responsibility of the customer.

Billed Number Screening is available to all classes of service which utilize the public switched network for long distance calling. The monthly recurring rate is not applicable for Payphone Line Service.

2. Rates and Charges

A Service Order Charge as specified in Section 30 of this Tariff is applicable per main billing number when this service is installed or changed subsequent to the service with which it is associated or for any change in options. The Service Order Charge is not applicable for termination of the service.

Billed Number Screening	Monthly Rate	SAE Code
(1) Incoming Collect Calls Only	\$2.50	AAABNSG(COL)
(2) Third Number Billed Calls Only	\$2.50	AAABNSG(3RD)
(3) Incoming Collect and Third Number Billed Calls	\$2.50	AAABNSG(3CO)

G. PRIVATE LINE SIGNALING UNIT

	Monthly Rate	(1)
Private Line Signaling Unit (DBMAAAA) (Automatic ring-down common equipment in central office)	\$5.15	

Connecting Channel(s) - same as for Tie Line Mileage - see "Mileage" Section.

ISSUED:
October 31, 2003

BY: Richard D. Lawson
State Executive, External Affairs
319 Madison
Jefferson City, MO 65101

EFFECTIVE:
December 18, 2003
January 17, 2004

GENERAL EXCHANGE TARIFF

SPRINT MISSOURI, INC.
d/b/a SPRINT

Fourth Revised Page 3
Cancels Third Revised Page 3

MISCELLANEOUS EQUIPMENT AND SERVICE

Missouri Public

F. BILLED NUMBER SCREENING

REC'D MAY 31 2002

(N)

1. General

Service Commission

Billed Number Screening is a service which through operator screening prevents the receipt of incoming collect and/or third number billed calls from being billed to the customer. The customer's telephone number is included in the data base that is made available to companies which provide validation services. Inclusion in the data base indicates these calls will not be allowed for billing to the customer's line. The customer benefits from Billed Number Screening as the service eliminates nuisance third party calls and blocks the receipt of collect calls.

Operator screening of incoming collect, international collect and third number billed calls is limited to Local Exchange Companies or Carriers which access the validation data base and cannot be guaranteed. Therefore, charges for any such calls received from a Local Exchange Company or Carrier not accessing the validation data base will be the responsibility of the customer.

Billed Number Screening is available to all classes of service which utilize the public switched network for long distance calling. The monthly recurring rate is not applicable for Payphone Line Service.

2. Rates and Charges

A Service Order Charge as specified in Section 30 of this Tariff is applicable per main billing number when this service is installed or changed subsequent to the service with which it is associated or for any change in options. The Service Order Charge is not applicable for termination of the service.

<u>Billed Number Screening</u>	<u>Monthly Rate</u>	<u>SAE Code</u>
(1) Incoming Collect Calls Only	\$ 2.50	AAABNSG(COL)
(2) Third Number Billed Calls Only	\$ 2.50	AAABNSG(3RD)
(3) Incoming Collect and Third Number Billed Calls	\$ 2.50	AAABNSG(3CO)

(N)

G. PRIVATE LINE SIGNALING UNIT

(MT)

Private Line Signaling Unit (DBMAAAA)
(Automatic ring-down common equipment
in central office)

Monthly
Rate
\$ 4.80

Missouri Public

Connecting Channel(s) - same as for Tie Line Mileage - see "Mileage" Section.

FILED JUL 15 2002 (MT)

Service Commission

(MT) Material previously appearing on this page now appears in Section 18 Third Revised Page 4.

ISSUED:
May 31, 2002

BY: Richard D. Lawson
State Executive, External Affairs
319 Madison
Jefferson City, MO 65101

EFFECTIVE:
July 15, 2002

CANCELLED

JAN 17 2004

By SHRS3
Public Service Commission
MISSOURI

GENERAL EXCHANGE TARIFF

SPRINT MISSOURI, INC.
d/b/a SPRINT

Third Revised Page 3
Cancels Second Revised Page 3

MISCELLANEOUS EQUIPMENT AND SERVICES
Missouri Public Service Commission

F. (Reserved for Future Filing)

REC'D OCT 27 2000 (RT)

CANCELLED

JUL 15 2002
By *4hrs3*
Public Service Commission
MISSOURI

(DR)
|
(RT)(DR)

G. PRIVATE LINE SIGNALING UNIT

	<u>Monthly Rate</u>
Private Line Signaling Unit (DBMAAAA) (Automatic ring-down common equipment in central office)	\$ 4.80

Connecting Channel(s) - same as for Tie Line Mileage - see "Mileage" Section.

H. SELECTIVE CLASS OF CALL SCREENING

1. General

Selective Class of Call Screening enables a customer, by means of Telephone Company operator identification, to restrict outgoing toll calls from station users to only those calls which are charged to the called telephone, a third number or a calling card account.

All local calls and calls to Telephone Company numbers such as repair service, Directory Assistance service, and public emergency service numbers, such as 911, will be permitted.

(RT)
|
(RT)

Missouri Public
Service Commission

FILED DEC 11 2000

ISSUED:
October 27, 2000

BY: Richard D. Lawson
State Executive, External Affairs
319 Madison
Jefferson City, MO 65101

EFFECTIVE:
December 11, 2000

GENERAL EXCHANGE TARIFF

SPRINT MISSOURI, INC.
d/b/a SPRINT

Second Revised Page 3
Cancels First Revised Page 3

MISCELLANEOUS EQUIPMENT AND SERVICE

Missouri Public Service Commission

REC'D JAN 26 2000

F. TOUCH TONE SERVICE

	Monthly Rate per Line	Non-Recurring Charges		
		Simple Residence*	Bus/ Complex Business*	
Business (FUT1FLC)	\$ 2.00	\$16.50	\$20.00	
Payphone (FUT1FLC SPC)	\$ 2.00	\$16.50	----	(AT)
Residence (FUT1FLC)	\$ 1.25	\$16.50	----	

G. PRIVATE LINE SIGNALING UNIT

	Monthly Rate
Private Line Signaling Unit (DBMAAAA) (Automatic ring-down common equipment in central office)	\$ 4.80

CANCELLED

DEC 1 1 2000

By *312 RP3*
**Public Service Commission
MISSOURI**

Connecting Channel(s) - same as for Tie Line Mileage - see "Mileage" Section.

H. SELECTIVE CLASS OF CALL SCREENING

1. General

Selective Class of Call Screening enables a customer, by means of Telephone Company operator identification, to restrict outgoing toll calls from station users to only those calls which are charged to the called telephone, a third number or a calling card account.

All local calls and calls to Telephone Company numbers such as repair service, Directory Assistance service, and public emergency service numbers, such as 911, will be permitted.

* Applicable when changing to Touch Tone service on existing lines at existing locations and no other change applies. For a description of Simple Business/Residence or Complex Business, see the "Explanation of Terms" Section in this tariff.

Missouri Public Service Commission

FILED MAR 24 2000

ISSUED:
January 26, 2000

BY: Richard D. Lawson
State Executive, External Affairs
319 Madison
Jefferson City, MO 65101

MAR 24 2000

GENERAL EXCHANGE TARIFF

UNITED TELEPHONE COMPANY
OF MISSOURI d/b/a SPRINT

First Revised Page 3
Cancels Original Page 3

MISCELLANEOUS EQUIPMENT AND SERVICE

RECEIVED

JAN 15 1997

F. TOUCH TONE SERVICE

	Monthly Rate per Line	Non-Residence* Simple Business/Residence*	Complex Business* Business*	
Business (FUT1FLC)	\$ 2.00	\$16.50	\$20.00	
Payphone (FUTIFLC SPC)	2.00	\$16.50	----	(CT)
Residence (FUT1FLC)	\$ 1.25	\$16.50	----	

G. PRIVATE LINE SIGNALING UNIT

	Monthly Rate
Private Line Signaling Unit (DBMAAAA) (Automatic ring-down common equipment in central office)	\$ 4.80

Connecting Channel(s) - same as for Tie Line Mileage - see "Mileage" Section.

H. SELECTIVE CLASS OF CALL SCREENING

1. General

Selective Class of Call Screening enables a customer, by means of Telephone Company operator identification, to restrict outgoing toll calls from station users to only those calls which are charged to the called telephone, a third number or a calling card account.

All local calls and calls to Telephone Company numbers such as repair service, Directory Assistance service, and public emergency service numbers, such as 911, will be permitted.

* Applicable when changing to Touch Tone service on existing lines at existing locations and no other change applies. For a description of Simple Business/Residence or Complex Business, see the "Explanation of Terms" Section in this tariff.

CANCELLED

FILED

MAR 24 2000

APR 15 1997

By *2nd RP3*

Public Service Commission
MISSOURI

MO. PUBLIC SERVICE COMM
EFFECTIVE DATE

ISSUED:
January 15, 1997

BY: John L. Roe
Vice President - Carrier & Regulatory Services
5454 West 110th Street
Overland Park, Kansas 66211

APR 15 1997

GENERAL EXCHANGE TARIFF

UNITED TELEPHONE COMPANY
OF MISSOURI

Original Page 3

MISCELLANEOUS EQUIPMENT AND SERVICE

RECEIVED

SEP 17 1992

F. TOUCH TONE SERVICE

	Monthly Rate per Line	Non-Recurring Charges	
		Simple Bus/ Residence*	Complex Business*
Business (FUT1FLC)	\$ 2.00	\$16.50	\$20.00
Semi-Public Telephone (FUTIFLC SPC)	\$ 2.00	\$16.50	----
Residence (FUT1FLC)	\$ 1.25	\$16.50	

CANCELLED

G. PRIVATE LINE SIGNALING UNIT

	Monthly Rate
Private Line Signaling Unit (DBMAAAA) (Automatic ring-down common equipment in central office)	\$ 4.80

APR 15 1997
BY let P.S. #3
Public Service Commission
MISSOURI

Connecting Channel(s) - same as for Tie Line Mileage - see "Mileage" Section.

H. SELECTIVE CLASS OF CALL SCREENING

1. General

Selective Class of Call Screening enables a customer, by means of Telephone Company operator identification, to restrict outgoing toll calls from station users to only those calls which are charged to the called telephone, a third number or a calling card account.

All local calls and calls to Telephone Company numbers such as repair service, Directory Assistance service, and public emergency service numbers, such as 911, will be permitted.

* Applicable when changing to Touch Tone service on existing lines at existing locations and no other change applies. For a description of Simple Business/Residence or Complex Business, see the "Explanation of Terms" Section in this tariff.

NOV 7 1992

MO. PUBLIC SERVICE COMMISSION

ISSUED:
September 17, 1992

BY: John L. Roe
Vice President - Administration
5454 West 110th Street
Overland Park, Kansas 66211

EFFECTIVE:
~~October 17, 1992~~
NOV 7 1992

GENERAL EXCHANGE TARIFF

Embarq Missouri, Inc.
d/b/a Embarq

Twelfth Revised Page 4
Cancels Eleventh Revised Page 4

MISCELLANEOUS EQUIPMENT AND SERVICE

H. SELECTIVE CLASS OF CALL SCREENING⁽²⁾ (C)

1. General

Selective Class of Call Screening enables a customer, by means of Telephone Company operator identification, to restrict outgoing toll calls from station users to only those calls which are charged to the called telephone, a third number or a calling card account.

All local calls and calls to Telephone Company numbers such as repair service, Directory Assistance service, and public emergency service numbers, such as 911, will be permitted.

This service may be provided to hospitals, hotel/motels, college and university dormitories and other businesses and institutions where facilities permit. Selective Class of Call **Screening provided** on access lines in connection with Payphone Line **Service is specified in Section 29.III. of this tariff.** (C)
(C)

2. Rates

These rates and charges are in addition to the established monthly and non-recurring charges applicable to services or equipment associated with Selective Class of Call Screening.

	<u>Monthly</u> <u>Rate</u>	<u>NRC</u>
Selective Class of Call Screening Per Access Line	\$2.55	Per SCC Section

I. ROTARY HUNT SERVICE

1. General

Rotary Hunt Service provides access to two or more Business or Residence lines or trunks of a customer when the primary listed telephone number is dialed.

	<u>Monthly Rates</u>	
	<u>Business</u>	<u>Residence</u> ⁽¹⁾
Per line or trunk	\$3.00	\$2.00

⁽¹⁾ Rotary Hunt Service is limited to existing residence customers at existing locations as of February 1, 2009.

⁽²⁾ **Selective Class of Call Screening is limited to existing customers at existing locations as of May 1, 2009.** (N)
(N)

ISSUED:
April 1, 2009

BY: Darlene N. Terry
Manager - Tariffs
5454 W. 110th Street
Overland Park, Kansas 66211

EFFECTIVE:
May 1, 2009

GENERAL EXCHANGE TARIFF

Embarq Missouri, Inc.
d/b/a Embarq

Eleventh Revised Page 4
Cancels Tenth Revised Page 4

MISCELLANEOUS EQUIPMENT AND SERVICE

H. SELECTIVE CLASS OF CALL SCREENING

1. General

Selective Class of Call Screening enables a customer, by means of Telephone Company operator identification, to restrict outgoing toll calls from station users to only those calls which are charged to the called telephone, a third number or a calling card account.

All local calls and calls to Telephone Company numbers such as repair service, Directory Assistance service, and public emergency service numbers, such as 911, will be permitted.

This service may be provided to hospitals, hotel/motels, college and university dormitories and other businesses and institutions where facilities permit. Selective Class of Call Screening may also be provided on access lines in connection with Payphone Line Service, where facilities permit.

2. Rates

These rates and charges are in addition to the established monthly and non-recurring charges applicable to services or equipment associated with Selective Class of Call Screening.

	<u>Monthly Rate</u>	<u>NRC</u>
Selective Class of Call Screening Per Access Line	\$2.55	Per SCC Section

I. ROTARY HUNT SERVICE

1. General

Rotary Hunt Service provides access to two or more Business or Residence lines or trunks of a customer when the primary listed telephone number is dialed.

	<u>Monthly Rates</u>		
	<u>Business</u>	<u>Residence⁽¹⁾</u>	
Per line or trunk	\$3.00 (I)	\$2.00 (R)	(C) (D) (D) (N) (N)

⁽¹⁾ **Rotary Hunt Service is limited to existing residence customers at existing locations as of February 1, 2009.**

ISSUED:
January 20, 2009

BY: Darlene N. Terry
Manager - Tariffs
5454 W. 110th Street
Overland Park, Kansas 66211

EFFECTIVE:
February 1, 2009

CANCELLED
May 1, 2009
Missouri Public
Service Commission
JI-2009-0711

FILED
Missouri Public
Service Commission
JI-2009-0528

GENERAL EXCHANGE TARIFF

Embarq Missouri, Inc.
d/b/a Embarq

Tenth Revised Page 4
Cancels Ninth Revised Page 4

MISCELLANEOUS EQUIPMENT AND SERVICE

H. SELECTIVE CLASS OF CALL SCREENING

1. General

Selective Class of Call Screening enables a customer, by means of Telephone Company operator identification, to restrict outgoing toll calls from station users to only those calls which are charged to the called telephone, a third number or a calling card account.

All local calls and calls to Telephone Company numbers such as repair service, Directory Assistance service, and public emergency service numbers, such as 911, will be permitted.

This service may be provided to hospitals, hotel/motels, college and university dormitories and other businesses and institutions where facilities permit. Selective Class of Call Screening may also be provided on access lines in connection with Payphone Line Service, where facilities permit.

2. Rates

These rates and charges are in addition to the established monthly and non-recurring charges applicable to services or equipment associated with Selective Class of Call Screening.

	<u>Monthly Rate</u>	<u>NRC</u>
Selective Class of Call Screening Per Access Line	\$2.55	Per SCC Section

I. ROTARY HUNT SERVICE

1. General

Rotary Hunt Service provides access to two or more Business or Residence lines or trunks of a customer when the primary listed telephone number is dialed.

Per line or trunk	<u>Monthly Rates</u>	
	<u>Business</u>	<u>Residence</u>

Ferrelview Kearney Norborne Platte City Rolla	\$2.30	\$2.30
St. Robert Waynesville	\$2.30	\$2.48
Weston	\$2.48	\$2.30
All Other Exchanges	\$2.48	\$2.48

(T)
—
(T)
(D)
(D)

ISSUED:
August 2, 2007

BY: Darlene N. Terry
Manager - Tariffs
5454 W. 110th Street
Overland Park, Kansas 66211

EFFECTIVE:
September 1, 2007

CANCELLED
February 1, 2009
Missouri Public
Service Commission
JI-2009-0528

FILED
Missouri Public
Service Commission

GENERAL EXCHANGE TARIFF

EMBARQ MISSOURI, INC.
d/b/a EMBARQ

Ninth Revised Page 4
Cancels Eighth Revised Page 4

MISCELLANEOUS EQUIPMENT AND SERVICE

H. SELECTIVE CLASS OF CALL SCREENING

1. General

Selective Class of Call Screening enables a customer, by means of Telephone Company operator identification, to restrict outgoing toll calls from station users to only those calls which are charged to the called telephone, a third number or a calling card account.

All local calls and calls to Telephone Company numbers such as repair service, Directory Assistance service, and public emergency service numbers, such as 911, will be permitted.

This service may be provided to hospitals, hotel/motels, college and university dormitories and other businesses and institutions where facilities permit. Selective Class of Call Screening may also be provided on access lines in connection with Payphone Line Service, where facilities permit.

2. Rates

These rates and charges are in addition to the established monthly and non-recurring charges applicable to services or equipment associated with Selective Class of Call Screening.

	Monthly Rate	NRC
Selective Class of Call Screening Per Access Line	\$2.55	Per SCC Section

I. ROTARY HUNT SERVICE

1. General

Rotary Hunt Service provides access to two or more Business or Residence lines or trunks of a customer when the primary listed telephone number is dialed.

	Monthly Rate	NRC	
Per line or trunk Non-Competitive Exchanges	\$2.48	Per SCC Section	
Competitive Exchanges Group A*	\$2.48	Per SCC Section	(CT)
Group B*	\$2.30	Per SCC Section	(CT)

* **Competitive Exchange Group classifications may vary between residence and business services. See Section 16.X, Page 23 for a complete listing of Competitive Exchanges.** (AT)
(AT)

ISSUED:
June 29, 2006

BY: Chad Eckhart
Vice President – Regulatory Affairs
6450 Sprint Parkway
Overland Park, KS 66251

EFFECTIVE:
July 31, 2006

GENERAL EXCHANGE TARIFF

SPRINT MISSOURI, INC.
d/b/a SPRINT

Eighth Revised Page 4
Cancels Seventh Revised Page 4

MISCELLANEOUS EQUIPMENT AND SERVICE

H. SELECTIVE CLASS OF CALL SCREENING

1. General

Selective Class of Call Screening enables a customer, by means of Telephone Company operator identification, to restrict outgoing toll calls from station users to only those calls which are charged to the called telephone, a third number or a calling card account.

All local calls and calls to Telephone Company numbers such as repair service, Directory Assistance service, and public emergency service numbers, such as 911, will be permitted.

This service may be provided to hospitals, hotel/motels, college and university dormitories and other businesses and institutions where facilities permit. Selective Class of Call Screening may also be provided on access lines in connection with Payphone Line Service, where facilities permit.

2. Rates

These rates and charges are in addition to the established monthly and non-recurring charges applicable to services or equipment associated with Selective Class of Call Screening.

	<u>Monthly Rate</u>	<u>NRC</u>
Selective Class of Call Screening Per Access Line	\$2.55	Per SCC Section

I. ROTARY HUNT SERVICE

1. General

Rotary Hunt Service provides access to two or more Business or Residence lines or trunks of a customer when the primary listed telephone number is dialed.

	<u>Monthly Rate</u>	<u>NRC</u>	
Per line or trunk			(CT)
Non-Competitive Exchanges	\$2.48	Per SCC Section	
Competitive Exchanges			(CT)
Jefferson City	\$2.48	Per SCC Section	(N)
All Other Exchanges	\$2.30	Per SCC Section	(CT)

ISSUED:
March 31, 2006

BY: Chad Eckhart
Vice President – Regulatory Affairs
6450 Sprint Parkway
Overland Park, KS 66251

EFFECTIVE:
May 1, 2006

Cancelled

July 31, 2006
Missouri Public
Service Commission

TO-2006-0375

Filed

Missouri Public
Service Commission

GENERAL EXCHANGE TARIFF

SPRINT MISSOURI, INC.
d/b/a SPRINT

Seventh Revised Page 4
Cancels Sixth Revised Page 4

MISCELLANEOUS EQUIPMENT AND SERVICE

H. SELECTIVE CLASS OF CALL SCREENING

1. General

Selective Class of Call Screening enables a customer, by means of Telephone Company operator identification, to restrict outgoing toll calls from station users to only those calls which are charged to the called telephone, a third number or a calling card account.

All local calls and calls to Telephone Company numbers such as repair service, Directory Assistance service, and public emergency service numbers, such as 911, will be permitted.

This service may be provided to hospitals, hotel/motels, college and university dormitories and other businesses and institutions where facilities permit. Selective Class of Call Screening may also be provided on access lines in connection with Payphone Line Service, where facilities permit.

2. Rates

These rates and charges are in addition to the established monthly and non-recurring charges applicable to services or equipment associated with Selective Class of Call Screening.

	<u>Monthly Rate</u>	<u>NRC</u>
Selective Class of Call Screening Per Access Line	\$2.55	Per SCC Section

I. ROTARY HUNT SERVICE

1. General

Rotary Hunt Service provides access to two or more Business or Residence lines or trunks of a customer when the primary listed telephone number is dialed.

	<u>Monthly Rate</u>	<u>NRC</u>	
Per line trunk			
<i>Non-Competitive Exchanges</i>	\$2.48	Per SCC Section	(1)(CT)
<i>Competitive Exchanges</i>	\$2.30	Per SCC Section	(CT)

ISSUED:
December 3, 2004

BY: Richard D. Lawson
State Executive, External Affairs
319 Madison
Jefferson City, MO 65101

EFFECTIVE:
January 18, 2005

Cancelled

May 1, 2006
Missouri Public
Service Commission

Filed
Missouri Public
Service Commission

REC'D OCT 31 2003

P.S.C. MO.-No. 22 Section 18

GENERAL EXCHANGE TARIFF

Service Commission

Sixth Revised Page 4

Cancels Fifth Revised Page 4

SPRINT MISSOURI, INC.
d/b/a SPRINT

MISCELLANEOUS EQUIPMENT AND SERVICE

H. SELECTIVE CLASS OF CALL SCREENING

1. General

Selective Class of Call Screening enables a customer, by means of Telephone Company operator identification, to restrict outgoing toll calls from station users to only those calls which are charged to the called telephone, a third number or a calling card account.

All local calls and calls to Telephone Company numbers such as repair service, Directory Assistance service, and public emergency service numbers, such as 911, will be permitted.

This service may be provided to hospitals, hotel/motels, college and university dormitories and other businesses and institutions where facilities permit. Selective Class of Call Screening may also be provided on access lines in connection with Payphone Line Service, where facilities permit.

2. Rates

These rates and charges are in addition to the established monthly and non-recurring charges applicable to services or equipment associated with Selective Class of Call Screening.

	<u>Monthly Rate</u>	<u>NRC</u>	
Selective Class of Call Screening Per Access Line	\$2.55	Per SCC Section	(1)

I. ROTARY HUNT SERVICE

1. General

Rotary Hunt Service provides access to two or more Business or Residence lines or trunks of a customer when the primary listed telephone number is dialed.

	<u>Monthly Rate</u>	<u>NRC</u>	
Per line trunk	\$2.30	Per SCC Section	(1)

CANCELLED

JAN 18 2005
By *Th RS 4*
Public Service Commission
MISSOURI

ISSUED:
October 31, 2003

BY: Richard D. Lawson
State Executive, External Affairs
319 Madison
Jefferson City, MO 65101

EFFECTIVE:

Missouri Public Service Commission
JAN 17 2004
17-2004-0225
FILED JAN 17 2004

REC'D OCT 25 2002

GENERAL EXCHANGE TARIFF

Service Commission

SPRINT MISSOURI, INC.
d/b/a SPRINT

Fifth Revised Page 4
Cancels Fourth Revised Page 4

MISCELLANEOUS EQUIPMENT AND SERVICE

H. SELECTIVE CLASS OF CALL SCREENING

1. General

Selective Class of Call Screening enables a customer, by means of Telephone Company operator identification, to restrict outgoing toll calls from station users to only those calls which are charged to the called telephone, a third number or a calling card account.

All local calls and calls to Telephone Company numbers such as repair service, Directory Assistance service, and public emergency service numbers, such as 911, will be permitted.

This service may be provided to hospitals, hotel/motels, college and university dormitories and other businesses and institutions where facilities permit. Selective Class of Call Screening may also be provided on access lines in connection with Payphone Line Service, where facilities permit.

2. Rates

These rates and charges are in addition to the established monthly and non-recurring charges applicable to services or equipment associated with Selective Class of Call Screening.

	<u>Monthly Rate</u>	<u>NRC</u>	
Selective Class of Call Screening Per Access Line	\$2.40	Per SCC Section	(1)

I. ROTARY HUNT SERVICE

1. General

Rotary Hunt Service provides access to two or more Business or Residence lines or trunks of a customer when the primary listed telephone number is dialed.

	<u>Monthly Rate</u>	<u>NRC</u>	
Per line trunk	\$ 2.15	Section	(1)

CANCELLED
JAN 17 2004
By *WTHMS4*
Public Service Commission
MISSOURI

Missouri Public
Service Commission
Section *IT-03-0166*
FILED DEC 18 2002

ISSUED:
October 25, 2002

BY: Richard D. Lawson
State Executive, External Affairs
319 Madison
Jefferson City, MO 65101

EFFECTIVE:
~~December 11, 2002~~

DEC 18 2002

GENERAL EXCHANGE TARIFF

SPRINT MISSOURI, INC.
d/b/a SPRINT

Fourth Revised Page 4
Cancels Third Revised Page 4

MISCELLANEOUS EQUIPMENT AND SERVICE

Missouri Public

H. SELECTIVE CLASS OF CALL SCREENING

REC'D MAY 31 2002

1. General

Service Commission (MT)

Selective Class of Call Screening enables a customer, by means of Telephone Company operator identification, to restrict outgoing toll calls from station users to only those calls which are charged to the called telephone, a third number or a calling card account.

All local calls and calls to Telephone Company numbers such as repair service, Directory Assistance service, and public emergency service numbers, such as 911, will be permitted.

This service may be provided to hospitals, hotel/motels, college and university dormitories and other businesses and institutions where facilities permit. Selective Class of Call Screening may also be provided on access lines in connection with Payphone Line Service, where facilities permit.

2. Rates

These rates and charges are in addition to the established monthly and non-recurring charges applicable to services or equipment associated with Selective Class of Call Screening.

	<u>Monthly Rate</u>	<u>NRC</u>
Selective Class of Call Screening Per Access Line	\$2.25	Per SCC Section

I. ROTARY HUNT SERVICE

1. General

Rotary Hunt Service provides access to two or more Business or Residence lines or trunks of a customer when the primary listed telephone number is dialed.

	<u>Monthly Rate</u>	<u>NRC</u>
Per line trunk	\$ 2.00	Per SCC Section

Missouri Public

FILED JUL 15 2002

Service Commission

ISSUED:
May 31, 2002

BY: Richard D. Lawson
State Executive, External Affairs
319 Madison
Jefferson City, MO 65101

EFFECTIVE:
July 15, 2002

CANCELLED

DEC 18 2002

By STARS of Public Service Commission

(MT)

REC'D OCT 26 2001

SPRINT MISSOURI, INC.
d/b/a SPRINT

Service Commission
Cancels Second Revised Page 4

MISCELLANEOUS EQUIPMENT AND SERVICE

H. SELECTIVE CLASS OF CALL SCREENING (Cont'd)

1. General (Cont'd)

This service may be provided to hospitals, hotel/motels, college and university dormitories and other businesses and institutions where facilities permit. Selective Class of Call Screening may also be provided on access lines in connection with Payphone Line Service, where facilities permit.

2. Rates

These rates and charges are in addition to the established monthly and non-recurring charges applicable to services or equipment associated with Selective Class of Call Screening.

	<u>Monthly Rate</u>	<u>NRC</u>	
Selective Class of Call Screening Per Access Line	\$2.25	Per SCC Section	(CR)

I. ROTARY HUNT SERVICE

1. General

Rotary Hunt Service provides access to two or more Business or Residence lines or trunks of a customer when the primary listed telephone number is dialed.

	<u>Monthly Rate</u>	<u>NRC</u>
Per line trunk	\$ 2.00	Per SCC Section

CANCELLED

JUL 15 2002

4/12/02
Public Service Commission
MISSOURI

ISSUED:
October 26, 2001

BY: Richard D. Lawson
State Executive, External Affairs
319 Madison
Jefferson City, MO 65101

EFFECTIVE:
December 11, 2001

Missouri Public

FILED DEC 11 2001

02-251
Service Commission

GENERAL EXCHANGE TARIFF

UNITED TELEPHONE COMPANY
OF MISSOURI d/b/a SPRINT

Second Revised Page 4
Cancels First Revised Page 4

RECEIVED

MISCELLANEOUS EQUIPMENT AND SERVICE

JAN 15 1997

H. SELECTIVE CLASS OF CALL SCREENING (Cont'd)

MISSOURI
Public Service Commission

1. General (Cont'd)

This service may be provided to hospitals, hotel/motels, college and university dormitories and other businesses and institutions where facilities permit. Selective Class of Call Screening may also be provided on access lines in connection with Payphone Line Service, where facilities permit. (CT)
(CT)

2. Rates

These rates and charges are in addition to the established monthly and non-recurring charges applicable to services or equipment associated with Selective Class of Call Screening.

	<u>Monthly Rate</u>	<u>NRC</u>	
Selective Class of Call Screening Per Access Line	\$ 2.00	Per SCC Section	(CR)

I. ROTARY HUNT SERVICE

1. General

Rotary Hunt Service provides access to two or more Business or Residence lines or trunks of a customer when the primary listed telephone number is dialed.

	<u>Monthly Rate</u>	<u>NRC</u>
Per line trunk	\$ 2.00	Per SCC Section

CANCELLED

DEC 11 2001
By 3rd RP 4
Public Service Commission
MISSOURI

FILED

APR 15 1997

MO. PUBLIC SERVICE COMM

EFFECTIVE:

APR 15 1997

ISSUED:
January 15, 1997

BY: John L. Roe
VP - Carrier & Regulatory Services
5454 West 110th Street
Overland Park, Kansas 66211

UNITED TELEPHONE COMPANY
OF MISSOURI

GENERAL EXCHANGE TARIFF

First Revised Page 4
Cancels Original Page 4

RECEIVED

MISCELLANEOUS EQUIPMENT AND SERVICE

NOV 2 1993

H. SELECTIVE CLASS OF CALL SCREENING (Cont'd)

1. General (Cont'd)

MO. PUBLIC SERVICE COMM.

This service may be provided to hospitals, hotel/motels, college and university dormitories and other businesses and institutions where facilities permit. Selective Class of Call Screening must also be provided on access lines in connection with Semi-public Message Rate (Customer Owned Coin Telephone) service, where facilities permit.

2. Rates

These rates and charges are in addition to the established monthly and non-recurring charges applicable to services or equipment associated with Selective Class of Call Screening.

	<u>Monthly Rate</u>	<u>NRC</u>
Selective Class of Call Screening Per Access Line	\$ 4.00	Per SCC Section

I. ROTARY HUNT SERVICE

1. General

Rotary Hunt Service provides access to two or more Business or Residence lines or trunks of a customer when the primary listed telephone number is dialed.

	<u>Monthly Rate</u>	<u>NRC</u>	
Per line trunk	\$ 2.00	Per SCC Section	(CR)

CANCELLED

APR 15 1997
BY J. R. S. #4
Public Service Commission
MISSOURI

FILED
NOV 7 1993
93 - 181
MO. PUBLIC SERVICE COMM.

ISSUED:
November 3, 1993

BY: John L. Roe
Vice President - Administration
5454 West 110th Street
Overland Park, Kansas 66211

EFFECTIVE:
November 7, 1993

UNITED TELEPHONE COMPANY
OF MISSOURI

GENERAL EXCHANGE TARIFF

Original Page 4

MISCELLANEOUS EQUIPMENT AND SERVICE

RECEIVED

SEP 17 1992

H. SELECTIVE CLASS OF CALL SCREENING (Cont'd)

RECEIVED
PUBLIC SERVICE COMMISSION

1. General (Cont'd)

This service may be provided to hospitals, hotel/motels, college and university dormitories and other businesses and institutions where facilities permit. Selective Class of Call Screening must also be provided on access lines in connection with Semi-public Message Rate (Customer Owned Coin Telephone) service, where facilities permit.

2. Rates

These rates and charges are in addition to the established monthly and non-recurring charges applicable to services or equipment associated with Selective Class of Call Screening.

	<u>Monthly Rate</u>	<u>NRC</u>
Selective Class of Call Screening Per Access Line	\$ 4.00	Per SCC Section

I. ROTARY HUNT SERVICE

1. General

Rotary Hunt Service provides access to two or more Business or Residence lines or trunks of a customer when the primary listed telephone number is dialed.

	<u>Monthly Rate</u>	<u>NRC</u>
Per line trunk	\$ 1.60	Per SCC Section

CANCELLED

NOV 7 1993
BY 1st R.S. #4
Public Service Commission
MISSOURI

FILED

NOV 7 1992

MO. PUBLIC SERVICE COMMISSION

ISSUED:
September 17, 1992

BY: John L. Roe
Vice President - Administration
5454 West 110th Street
Overland Park, Kansas 66211

EFFECTIVE:
~~October 17, 1992~~
NOV 7 1992

GENERAL EXCHANGE TARIFF

**Embarq Missouri, Inc.
d/b/a Embarq**

Third Revised Page 5 (T)
Cancels Second Revised Page 5 (T)

MISCELLANEOUS EQUIPMENT AND SERVICE

J. DATA BRIDGING SERVICE

1. General

A data bridge is a device used in the central office to provide multipoint service. Bridging charges apply per channel in offices where three or more channels are bridged.

Standard bridging will be 2 wire or 4 wire for two-way communication between all points unless the customer specifies another fixed bridging arrangement.

2. Rates

	<u>Monthly Rate</u>	<u>NRC</u>	
Per channel	\$8.53	\$79.75	(T)

3. Conditions

Mileage charges from Section 17 of the General Exchange tariff may apply in addition to data bridging charges.

For interexchange facilities, refer to the Private Line tariff.

ISSUED:
August 2, 2007

BY: Darlene N. Terry
Manager - Tariffs
5454 W. 110th Street
Overland Park, Kansas 66211

EFFECTIVE:
September 1, 2007

P.S.C. MO.-No. 22 Section 18
GENERAL EXCHANGE TARIFF

SPRINT MISSOURI, INC.
d/b/a SPRINT

Second Revised Page 5
Cancels First Revised Page 5

MISCELLANEOUS EQUIPMENT AND SERVICE

J. DATA BRIDGING SERVICE

1. General

A data bridge is a device used in the central office to provide multipoint service. Bridging charges apply per channel in offices where three or more channels are bridged.

Standard bridging will be 2 wire or 4 wire for two-way communication between all points unless the customer specifies another fixed bridging arrangement.

2. Rates

Monthly
Rate

NRC

Per channel

Non-Competitive Exchanges
Competitive Exchanges

\$8.53
\$8.53

\$79.75
\$79.75

(1)(CT)
(1)(CT)

3. Conditions

Mileage charges from Section 17 of the General Exchange tariff may apply in addition to data bridging charges.

For interexchange facilities, refer to the Private Line tariff.

(D)

ISSUED:
December 3, 2004

BY: Richard D. Lawson
State Executive, External Affairs
319 Madison
Jefferson City, MO 65101

EFFECTIVE:
January 18, 2005

CANCELLED
September 1, 2007
Missouri Public
Service Commission

Filed
Missouri Public
Service Commission

REC'D OCT 31 2003

P.S.C. MO.-No. 22 Section 18
GENERAL EXCHANGE TARIFF

Service Commission
First Revised Page 5
Cancels Original Page 5

SPRINT MISSOURI, INC.
d/b/a SPRINT

MISCELLANEOUS EQUIPMENT AND SERVICE

J. DATA BRIDGING SERVICE

1. General

A data bridge is a device used in the central office to provide multipoint service. Bridging charges apply per channel in offices where three or more channels are bridged.

Standard bridging will be 2 wire or 4 wire for two-way communication between all points unless the customer specifies another fixed bridging arrangement.

2. Rates

Monthly
Rate

NRC

Per channel

\$ 7.90

\$73.85

(1)

3. Conditions

Mileage charges from Section 17 of the General Exchange tariff may apply in addition to data bridging charges.

For interexchange facilities, refer to the Private Line tariff.

K. (Reserved for future use)

CANCELLED

JAN 18 2005

By *John RS 5*
Public Service Commission
MISSOURI

ISSUED:
October 31, 2003

BY: Richard D. Lawson
State Executive, External Affairs
319 Madison
Jefferson City, MO 65101

~~EFFECTIVE~~

JAN 17 2004

Missouri Public
Service Commission

IT-2004-0225
FILED JAN 17 2004

UNITED TELEPHONE COMPANY
OF MISSOURI

GENERAL EXCHANGE TARIFF

Original Page 5

MISCELLANEOUS EQUIPMENT AND SERVICE

RECEIVED

SEP 17 1992

J. DATA BRIDGING SERVICE

1. General

A data bridge is a device used in the central office to provide multipoint service. Bridging charges apply per channel in offices where three or more channels are bridged.

Standard bridging will be 2 wire or 4 wire for two-way communication between all points unless the customer specifies another fixed bridging arrangement.

2. Rates	Monthly Rate	NRC
Per channel	\$ 7.35	\$68.40

3. Conditions

Mileage charges from Section 17 of the General Exchange tariff may apply in addition to data bridging charges.

For interexchange facilities, refer to the Private Line tariff.

K. (Reserved for future use)

CANCELLED

JAN 17 2004
By *STPSS*
Public Service Commission
MISSOURI

FILED

NOV 7 1992

MO. PUBLIC SERVICE COMM.

ISSUED:
September 17, 1992

BY: John L. Roe
Vice President - Administration
5454 West 110th Street
Overland Park, Kansas 66211

EFFECTIVE:
~~October 17, 1992~~
NOV 7 1992

GENERAL EXCHANGE TARIFF

SPRINT MISSOURI, INC.
d/b/a SPRINT

Third Revised Page 6
Cancels Second Revised Page 6

MISCELLANEOUS EQUIPMENT AND SERVICE

L. PRIVATE BRANCH EXCHANGE SERVICE

- 1. The following trunk rates shall apply in addition to rates specified in this tariff, or special contract, for PBX/PABX Systems.

	<u>Monthly Rate</u>	
a. Central Office Trunks Rate Group Section	See Local Exchange Service	
b. Toll Trunks* (one-way outgoing hotel/motel or hospital)	\$39.35	(1)

- 2. Special Trunk Terminations

In addition to rates set forth above, the following rates apply to Special Trunk Terminations provided to PBX customers.

	<u>Monthly Rate</u>
a. Special Trunk Termination Small PBX	\$10.15
b. Special Trunk Termination Large PBX, Centrex (Furnished under Special Contract)	\$27.05
c. Private Line Access Terminal Large PBX, Centrex (Furnished under Special Contract) (PCBATT1)	\$27.05

Large PBX consists of 300 to 900 main stations.

* Offered in United Telephone Company Toll Center Exchanges only.

ISSUED:
October 31, 2003

BY: Richard D. Lawson
State Executive, External Affairs
319 Madison
Jefferson City, MO 65101

EFFECTIVE:
~~December 18, 2003~~
January 17, 2004

REC'D OCT 25 2002

GENERAL EXCHANGE TARIFF

Service Commission

Second Revised Page 6

Cancels First Revised Page 6

SPRINT MISSOURI, INC.
d/b/a SPRINT

MISCELLANEOUS EQUIPMENT AND SERVICE

L. PRIVATE BRANCH EXCHANGE SERVICE

- 1. The following trunk rates shall apply in addition to rates specified in this tariff, or special contract, for PBX/PABX Systems.

	<u>Monthly Rate</u>	
a. Central Office Trunks	See Local Exchange Service Rate Group Section	
b. Toll Trunks* (one-way outgoing hotel/motel or hospital)	\$36.45	(1)

- 2. Special Trunk Terminations

In addition to rates set forth above, the following rates apply to Special Trunk Terminations provided to PBX customers.

	<u>Monthly Rate</u>
a. Special Trunk Termination Small PBX	\$ 10.15
b. Special Trunk Termination Large PBX, Centrex (Furnished under Special Contract)	\$ 27.05
c. Private Line Access Terminal Large PBX, Centrex (Furnished under Special Contract) (PCBATT1)	\$ 27.05

Large PBX consists of 300 to 900 main stations.

* Offered in United Telephone Company Toll Center Exchanges only.

CANCELLED
JAN 17 2004
By Brad Pyle
Public Service Commission
MISSOURI

Missouri Public
Service Commission
IT-03-0166
FILED DEC 18 2002

ISSUED:
October 25, 2002

BY: Richard D. Lawson
State Executive, External Affairs
319 Madison
Jefferson City, MO 65101

~~EFFECTIVE:
OCT 25 2002~~

DEC 18 2002

UNITED TELEPHONE COMPANY
OF MISSOURI

GENERAL EXCHANGE TARIFF

First Revised Page 6
Cancels Original Page 6

MISCELLANEOUS EQUIPMENT AND SERVICE

RECEIVED

L. PRIVATE BRANCH EXCHANGE SERVICE

NOV 2 1993

- 1. The following trunk rates shall apply in addition to rates specified in this tariff, or special contract, for PBX/PABX Systems.

MO. PUBLIC SERVICE COMM.

	<u>Monthly Rate</u>	
a. Central Office Trunks	See Local Exchange Service Rate Group Section	
b. Toll Trunks* (one-way outgoing hotel/motel or hospital)	\$34.80	(CR)
2. Special Trunk Terminations		

In addition to rates set forth above, the following rates apply to Special Trunk Terminations provided to PBX customers.

	<u>Monthly Rate</u>
a. Special Trunk Termination Small PBX	\$ 10.15
b. Special Trunk Termination Large PBX, Centrex (Furnished under Special Contract)	\$ 27.05
c. Private Line Access Terminal Large PBX, Centrex (Furnished under Special Contract) (PCBATT1)	\$ 27.05

CANCELLED

DEC 18 2002

By *Jnd RSC*
Public Service Commission
MISSOURI

Large PBX consists of 300 to 900 main stations.

* Offered in United Telephone Company Toll Center Exchanges only.

FILED

NOV 7 1993
93 - 181

MO. PUBLIC SERVICE COMM.

ISSUED:
November 3, 1993

BY: John L. Roe
Vice President - Administration
5454 West 110th Street
Overland Park, Kansas 66211

EFFECTIVE:
November 7, 1993

GENERAL EXCHANGE TARIFF

UNITED TELEPHONE COMPANY
OF MISSOURI

Original Page 6

MISCELLANEOUS EQUIPMENT AND SERVICE

SEP 17 1992

L. PRIVATE BRANCH EXCHANGE SERVICE

1. The following trunk rates shall apply in addition to rates specified in this tariff, or special contract, for PBX/PABX Systems.

	<u>Monthly Rate</u>
a. Central Office Trunks	See Local Exchange Service Rate Group Section
b. Toll Trunks* (one-way outgoing hotel/motel or hospital)	\$30.48
2. Special Trunk Terminations	

In addition to rates set forth above, the following rates apply to Special Trunk Terminations provided to PBX customers.

	<u>Monthly Rate</u>
a. Special Trunk Termination Small PBX	\$ 10.15
b. Special Trunk Termination Large PBX, Centrex (Furnished under Special Contract)	\$ 27.05
c. Private Line Access Terminal Large PBX, Centrex (Furnished under Special Contract) (PCBATT1)	\$ 27.05

Large PBX consists of 300 to 900 main stations.

* Offered in United Telephone Company Toll Center Exchanges only.

CANCELLED

NOV 7 1993

BY let R.S. #6
Public Service Commission
MISSOURI

FILED

NOV 7 1992

MO. PUBLIC SERVICE COMM.

ISSUED:
September 17, 1992

BY: John L. Roe
Vice President - Administration
5454 West 110th Street
Overland Park, Kansas 66211

EFFECTIVE:
~~October 17, 1992~~
NOV 7 1992

P.S.C. MO.-No. 22 Section 18
GENERAL EXCHANGE TARIFF

UNITED TELEPHONE COMPANY
OF MISSOURI

Original Page 7

MISCELLANEOUS EQUIPMENT AND SERVICE

L. PRIVATE BRANCH EXCHANGE SERVICE (Cont'd)

3. Direct Inward Dialing Service (Cont'd)

A. Regulations

1. Direct Inward Dialing (DID) is available only in those central offices that are equipped for such service and is furnished for use with PABX systems equipped for DID.
2. As outlined in Section 8 of this tariff, construction charges may apply where equipment or facilities required to provide a requested service are not available.
3. The charges applicable to DID service contemplate the use of standard service and arrangements. When special services are required, additional rates based upon the additional costs incurred to provide the service will apply.
4. One primary directory listing will be provided with each account subscribing to DID. Additional listings will be provided at charges and in accordance with regulations found in Section 9 of this tariff.
5. The rates specified in this section are in addition to rates for other services with which this is associated.
6. Station numbers for DID will be assigned in blocks of 100 (or 10 in digital central offices) by the telephone company. Numbers assigned shall not exceed 99 vacant numbers. As additional station numbers are required, they will be made available as soon as the telephone company has equipment available for this purpose. No guarantee is made that station numbers will be available in all cases.
7. The customer shall be responsible for the interception of calls placed to non-working station numbers.
8. DID service is available in exchanges equipped to provide the service.
9. Requests for DID service in exchanges not equipped will be considered on an individual basis.

ISSUED:
September 17, 1992

BY: Richard D. Lawson
State Executive, External Affairs
319 Madison
Jefferson City, MO 65101

EFFECTIVE:
November 7, 1992

P.S.C. MO.-No. 22 Section 18
 GENERAL EXCHANGE TARIFF

SPRINT MISSOURI, INC.
 d/b/a SPRINT

Third Revised Page 8
 Cancels Second Revised Page 8

MISCELLANEOUS EQUIPMENT AND SERVICE

L. PRIVATE BRANCH EXCHANGE SERVICE (Cont'd)

3. Direct Inward Dialing Service (Cont'd)

B. Rates**

	<u>NRC</u>	<u>Monthly Rate</u>	
a. Central Office Common - Equipment for each 10 DID Trunks in Non-Digital Central Offices (FCETCEQ and FCETCEQ JC)	\$400.00	\$ 80.95*	
b. Central Office Common - Equipment for up to 16 DID Trunks in Digital Central Offices (FCETCEQ, FCETCEQ CTB, FCETCEQ JC)	Per SCC Section	91.00	
c. DID Trunk Circuit Plate, each, for Non-Digital Central Offices (FCETDTE, FCETDTE JC)	535.00	16.00*	
d. DID Trunk Circuit Plate, each, for Digital Central Offices (FCETDTE, FCETDTE CTB, FCETDTE JC)	Per SCC Section	6.00	
e. DID Numbers per 100, (FCETCCD, FCETCCD CTB, FCETCCD JC)	Per SCC Section	213.00	(R)
f. DID Numbers in increments of 10, per 10 DID Numbers, (FCETCCD TEN)	Per SCC Section	20.00	(R)
g. Interconnecting DID Access Trunk (QEBB)	Per SCC Section	34.80	

* Limited to existing customers at existing locations.

** DID Service is provided pursuant to a Basic Termination Agreement.

ISSUED:
 October 31, 2003

BY: Richard D. Lawson
 State Executive, External Affairs
 319 Madison
 Jefferson City, MO 65101

EFFECTIVE:
~~December 18, 2003~~

January 17, 2004

REC'D OCT 25 2002

SPRINT MISSOURI, INC.
d/b/a SPRINT

Service Commission
Second Revised Page 8
Cancels First Revised Page 8

MISCELLANEOUS EQUIPMENT AND SERVICE

L. PRIVATE BRANCH EXCHANGE SERVICE (Cont'd)

3. Direct Inward Dialing Service (Cont'd)

B. Rates**

	<u>NRC</u>	<u>Monthly Rate</u>	
a. Central Office Common - Equipment for each 10 DID Trunks in Non-Digital Central Offices (FCETCEQ and FCETCEQ JC)	\$400.00	\$ 80.95*	
b. Central Office Common - Equipment for up to 16 DID Trunks in Digital Central Offices (FCETCEQ, FCETCEQ CTB, FCETCEQ JC)	Per SCC Section	91.00	
c. DID Trunk Circuit Plate, each, for Non-Digital Central Offices (FCETDTE, FCETDTE JC)	535.00	16.00*	
d. DID Trunk Circuit Plate, each, for Digital Central Offices (FCETDTE, FCETDTE CTB, FCETDTE JC)	Per SCC Section	6.00	
e. DID Numbers per 100, (FCETCCD, FCETCCD CTB, FCETCCD JC)	Per SCC Section	225.00	(D)
f. DID Numbers in increments of 10, per 10 DID Numbers, (FCETCCD TEN)	Per SCC Section	25.00	(D)
g. Interconnecting DID Access Trunk (QEBB)	Per SCC Section	34.80	

* Limited to existing customers at existing locations.

** DID Service is provided pursuant to a Basic Termination Agreement.

CANCELLED

JAN 17 2004
By 3rd RS8
Public Service Commission
MISSOURI

Missouri Public
Service Commission
IT-03-0166
FILED DEC 18 2002

ISSUED:
October 25, 2002

BY: Richard D. Lawson
State Executive, External Affairs
319 Madison
Jefferson City, MO 65101

EFFECTIVE:
~~October 25, 2002~~

DEC 18 2002

UNITED TELEPHONE COMPANY
OF MISSOURI

GENERAL EXCHANGE TARIFF

First Revised Page 8
Cancels Original Page 8

MISCELLANEOUS EQUIPMENT AND SERVICE

RECEIVED

L. PRIVATE BRANCH EXCHANGE SERVICE (Cont'd)

NOV 2 1993

3. Direct Inward Dialing Service (Cont'd)

MO. PUBLIC SERVICE COMM.

B. Rates**

	<u>NRC</u>	<u>Monthly Rate</u>	
a. Central Office Common - Equipment for each 10 DID Trunks in Non-Digital Central Offices (FCETCEQ and FCETCEQ JC)	\$400.00	\$80.95*	
b. Central Office Common - Equipment for up to 16 DID Trunks in Digital Central Offices (FCETCEQ, FCETCEQ CTB, FCETCEQ JC)	Per SCC Section	91.00	
c. DID Trunk Circuit Plate, each, for Non-Digital Central Offices (FCETDTE, FCETDTE JC)	535.00	16.00*	
d. DID Trunk Circuit Plate, each, for Digital Central Offices (FCETDTE, FCETDTE CTB, FCETDTE JC)	Per SCC Section	6.00	
e. DID Numbers per 100, (FCETCCD, FCETCCD CTB, FCETCCD JC)	Per SCC Section	250.00	
f. DID Numbers in increments of 10, per 10 DID Numbers, (FCETCCD TEN)	Per SCC Section	27.00	
g. Interconnecting DID Access Trunk (QEBB)	Per SCC Section	34.80	(CR)

* Limited to existing customers at existing locations.

** DID Service is provided pursuant to a Basic Termination Agreement.

CANCELLED

DEC 18 2002

By *2nd B.S.P.*
Public Service Commission
Missouri

FILED

NOV 7 1993
93 - 181
MO. PUBLIC SERVICE COMM.

ISSUED:
November 3, 1993

BY: John L. Roe
Vice President - Administration
5454 West 110th Street
Overland Park, Kansas 66211

EFFECTIVE:
November 7, 1993

GENERAL EXCHANGE TARIFF

UNITED TELEPHONE COMPANY
OF MISSOURI

Original Page 8

MISCELLANEOUS EQUIPMENT AND SERVICE

SEP 17 1992

L. PRIVATE BRANCH EXCHANGE SERVICE (Cont'd)

3. Direct Inward Dialing Service (Cont'd)

B. Rates**

	<u>NRC</u>	<u>Monthly Rate</u>
a. Central Office Common - Equipment for each 10 DID Trunks in Non-Digital Central Offices (FCETCEQ and FCETCEQ JC)	\$400.00	\$80.95*
b. Central Office Common - Equipment for up to 16 DID Trunks in Digital Central Offices (FCETCEQ, FCETCEQ CTB, FCETCEQ JC)	Per SCC Section	91.00
c. DID Trunk Circuit Plate, each, for Non-Digital Central Offices (FCETDTE, FCETDTE JC)	535.00	16.00*
d. DID Trunk Circuit Plate, each, for Digital Central Offices (FCETDTE, FCETDTE CTB, FCETDTE JC)	Per SCC Section	6.00
e. DID Numbers per 100, (FCETCCD, FCETCCD CTB, FCETCCD JC)	Per SCC Section	250.00
f. DID Numbers in increments of 10, per 10 DID Numbers, (FCETCCD TEN)	Per SCC Section	27.00
g. Interconnecting DID Access Trunk (QEBB)	Per SCC Section	30.48

* Limited to existing customers at existing locations.

** DID Service is provided pursuant to a Basic Termination Agreement.

CANCELLED

NOV 7 1993
BY *John R.S. #18*
Public Service Commission
MISSOURI

FILED

NOV 7 1992

MO. PUBLIC SERVICE COMM.

ISSUED:
September 17, 1992

BY: John L. Roe
Vice President - Administration
5454 West 110th Street
Overland Park, Kansas 66211

EFFECTIVE:
~~September 17, 1992~~
NOV 7 1992

GENERAL EXCHANGE TARIFF

UNITED TELEPHONE COMPANY
OF MISSOURI

Original Page 9

MISCELLANEOUS EQUIPMENT AND SERVICE

L. PRIVATE BRANCH EXCHANGE SERVICE (Cont'd)

4. Tie Lines

- a. Tie lines are furnished subject to the availability of circuits and provided no unusual expense is involved.
- b. Tie lines may terminate in private branch exchange systems of the same or different customer and on the same or different premises. For mileage charges applicable to tie lines, see the "Mileage" Section of this tariff.
- c. Regulations pertaining to the use of tie lines.
 1. Tie lines connecting switchboards located on premises of the customer (except where the systems are on the same premises or on different premises in the same building where standard operation and transmission can be obtained on all connections) are furnished for communications between stations directly connected to and located on the same premises as the system involved; accordingly tie lines are used in connection with trunks, off-premises station lines or other tie lines only subject to the condition that in some cases standard operation and transmission may not be obtained when such connections are established.
 2. Tie lines connecting systems of different customers are furnished with the understanding that such tie lines are to be used only for communication between telephones directly connected to and located on the same premises as the customers involved. Such tie lines are provided only if each of the systems involved is connected to the central office by trunks.

ISSUED:
September 17, 1992

BY: Richard D. Lawson
State Executive, External Affairs
319 Madison
Jefferson City, MO 65101

EFFECTIVE:
November 7, 1992

P.S.C. MO.-No. 22 Section 18
GENERAL EXCHANGE TARIFF

UNITED TELEPHONE COMPANY
OF MISSOURI

Second Revised Page 10
Cancels First Revised Page 10

MISCELLANEOUS EQUIPMENT AND SERVICE

M. 900 SERVICE ACCESS RESTRICTION

1. General

900 Service Access Restriction is a central office service furnished to customers, upon request, which allows for access restriction to all telephone numbers preceded by a 900 NPA from being placed over their exchange access line. This service is not for restricting service access to a specific 900 NPA telephone number. When a 900 NPA telephone number is dialed, the call will be diverted to a Company-provided intercept announcement.

900 Service Access Restriction is offered in those Missouri exchanges where it is technologically and economically feasible. This restriction service enables customers to prohibit dialing of calls to 1+900. Calls which are placed using alternative dialing patterns cannot be restricted. The customer indemnifies and saves harmless the Telephone Company from any and all claims, losses of damages caused by restriction of 900 service access.

The minimum service period for subscribing to 900 Service Access Restriction is one (1) month.

Any request to remove 900 Service Access Restriction Blocking must be made in writing.

2. Rates and Charges

(CT)

These rates and charges applicable for 900 Service Access Restriction. Service Connection Charges will not apply to customers applying for this service.

(CT)

(RT)

(RT)

(CT)

(RT)

900 Service Access Restriction (FCT1FLC)

(RT)

ISSUED:
March 30, 1994

BY: Richard D. Lawson
State Executive, External Affairs
319 Madison
Jefferson City, MO 65101

EFFECTIVE:
April 30, 1994

MISCELLANEOUS EQUIPMENT AND SERVICE

RECEIVED

M. 900 SERVICE ACCESS RESTRICTION

OCT 18 1993

1. General

**MISSOURI
Public Service Commission**

900 Service Access Restriction is a central office service furnished to customers, upon request, which allows for access restriction to all telephone numbers preceded by a 900 NPA from being placed over their exchange access line. This service is not for restricting service access to a specific 900 NPA telephone number. When a 900 NPA telephone number is dialed, the call will be diverted to a Company-provided intercept announcement.

900 Service Access Restriction is offered in those Missouri exchanges where it is technologically and economically feasible. This restriction service enables customers to prohibit dialing of calls to 1+900. Calls which are placed using alternative dialing patterns cannot be restricted. The customer indemnifies and saves harmless the Telephone Company from any and all claims, losses of damages caused by restriction of 900 service access.

The minimum service period for subscribing to 900 Service Access Restriction is one (1) month.

Any request to remove 900 Service Access Restriction Blocking must be made in writing.

2. Rates and Charges

These rates and charges apply in addition to all other rates and charges paid by the customer for basic service and other services of the Telephone Company.

CANCELLED

900 Service Access Restriction
(FCT1FLC):
Business
Residence

Non-Recurring
Charges

APR 30 1994
BY 2nd R.S.#10
Public Service Commission
MISSOURI

See note 1
No charge

Service Connection Charges will not apply to business customers applying for 900 Service Access Restriction from November 1, 1993 through December 31, 1993.

(AT)

Service Connection Charges will not apply to business customers applying for 900 Service Access Restriction for 60 days after telephone service is established at a new telephone.

(AT)

(1) For application of Service Charges, see Service Connection Section 30 II.B of this tariff.

FILED

NOV 1 1993

ISSUED:
October 1, 1993

BY: John L. Roe
Vice President - Administration
5454 West 100th Street
Overland Park, Kansas 66211

EFFECTIVE:
November 1, 1993
**MISSOURI
Public Service Commission**

GENERAL EXCHANGE TARIFF

UNITED TELEPHONE COMPANY
OF MISSOURI

Original Page 10

MISCELLANEOUS EQUIPMENT AND SERVICE

RECEIVED

SEP 17 1992

M. 900 SERVICE ACCESS RESTRICTION

1. General

900 Service Access Restriction is a central office service furnished to customers, upon request, which allows for access restriction to all telephone numbers preceded by a 900 NPA from being placed over their exchange access line. This service is not for restricting service access to a specific 900 NPA telephone number. When a 900 NPA telephone number is dialed, the call will be diverted to a Company-provided intercept announcement.

900 Service Access Restriction is offered in those Missouri exchanges where it is technologically and economically feasible. This restriction service enables customers to prohibit dialing of calls to 1+900. Calls which are placed using alternative dialing patterns cannot be restricted. The customer indemnifies and saves harmless the Telephone Company from any and all claims, losses of damages caused by restriction of 900 service access.

The minimum service period for subscribing to 900 Service Access Restriction is one (1) month.

Any request to remove 900 Service Access Restriction Blocking must be made in writing.

2. Rates and Charges

These rates and charges apply in addition to all other rates and charges paid by the customer for basic service and other services of the Telephone Company.

CANCELLED

Non-Recurring
Charges

900 Service Access Restriction
(FCT1FLC):
Business
Residence

NOV 01 1993
BY *let R.S. #10*
Public Service Commission
MISSOURI

See note 1
No charge

(1) For application of Service Charges, see Service Connection Charges, Section 30 II.B of this tariff.

FILED

NOV 7 1992

MO. PUBLIC SERVICE COMM.

EFFECTIVE:

~~October 17, 1992~~

NOV 7 1992

ISSUED:
September 17, 1992

BY: John L. Roe
Vice President - Administration
5454 West 110th Street
Overland Park, Kansas 66211

P.S.C. MO.-No. 22 Section 18
GENERAL EXCHANGE TARIFF

SPRINT MISSOURI, INC.
d/b/a SPRINT

First Revised Page 11
Cancels Original Page 11

MISCELLANEOUS EQUIPMENT AND SERVICE

N. REMOTE CALL FORWARDING

(C)

1. General

Remote Call Forwarding (RCF) service is a service whereby a call placed from the originator to a customer's Remote Call Forwarding telephone number is automatically forwarded by Telephone Company digital central office equipment to the customer's (1) Local Exchange Service, (2) Inward Wide Area Telecommunications Service (800 Service) and Long Distance Message Telecommunications Service, or (3) Foreign Exchange Service (FX).

2. Regulations

- a. Remote Call Forwarding service is offered subject to availability of suitable facilities and provided no unusual expense is involved.
- b. Remote Call Forwarding service is not offered where the terminating station is a coin telephone.
- c. The Telephone Company will not provide identification of the originating telephone number to the Remote Call Forwarding customer.
- d. Transmission characteristics may vary depending on the distance and routing necessary to complete the remotely forwarded call.
- e. Remote Call Forwarding service is not represented as suitable for satisfactory transmission of data.
- f. Remote Call Forwarding service is available when used in connection with Local Exchange service, interstate or intrastate Long Distance Message Telecommunications Service, interstate or intrastate 800 Service, and Foreign Exchange service.
- g. Remote Call Forwarding service is provided on the condition that the customer subscribe to sufficient facilities to adequately handle calls to the Remote Call Forwarding customer without interfering with or impairing any services offered by the Telephone Company. See Section 25 of this tariff.

ISSUED:
February 18, 1998

BY: Richard D. Lawson
State Executive, External Affairs
319 Madison
Jefferson City, MO 65101

EFFECTIVE:
March 20, 1998

UNITED TELEPHONE COMPANY
OF MISSOURI

GENERAL EXCHANGE TARIFF

Original Page 11

RECEIVED

MISCELLANEOUS EQUIPMENT AND SERVICE

SEP 17 1992

M. 900 SERVICE ACCESS RESTRICTION

1. General

Remote Call Forwarding (RCF) service is a service whereby a call placed from the originator to a customer's Remote Call Forwarding telephone number is automatically forwarded by Telephone Company digital central office equipment to the customer's (1) Local Exchange Service, (2) Inward Wide Area Telecommunications Service (800 Service) and Long Distance Message Telecommunications Service, or (3) Foreign Exchange Service (FX).

2. Regulations

- a. Remote Call Forwarding service is offered subject to availability of suitable facilities and provided no unusual expense is involved.
- b. Remote Call Forwarding service is not offered where the terminating station is a coin telephone.
- c. The Telephone Company will not provide identification of the originating telephone number to the Remote Call Forwarding customer.
- d. Transmission characteristics may vary depending on the distance and routing necessary to complete the remotely forwarded call.
- e. Remote Call Forwarding service is not represented as suitable for satisfactory transmission of data.
- f. Remote Call Forwarding service is available when used in connection with Local Exchange service, interstate or intrastate Long Distance Message Telecommunications Service, interstate or intrastate 800 Service, and Foreign Exchange service.
- g. Remote Call Forwarding service is provided on the condition that the customer subscribe to sufficient facilities to adequately handle calls to the Remote Call Forwarding customer without interfering with or impairing any services offered by the Telephone Company. See Section 25 of this tariff.

CANCELLED

MAR 20 1998

By J. R. W. pg. 11
Public Service Commission
MISSOURI

FILED

NOV 7 1992

MO. PUBLIC SERVICE COMM.

ISSUED:
September 17, 1992

BY: John L. Roe
Vice President - Administration
5454 West 110th Street
Overland Park, Kansas 66211

EFFECTIVE:
~~October 17, 1992~~
NOV 7 1992

GENERAL EXCHANGE TARIFF

Embarq Missouri, Inc.
d/b/a Embarq

Sixth Revised Page 12
Cancels Fifth Revised Page 12

MISCELLANEOUS EQUIPMENT AND SERVICE

N. REMOTE CALL FORWARDING SERVICE (continued)

3. Rates and Charges

- a. The following charges are for the Remote Call Forwarding service only and are in addition to applicable charges for service and equipment with which it is used.

	<u>Monthly Rates</u>		<u>Service & Equipment Nonrecurring Charges⁽¹⁾</u>		(T)
	<u>Business</u>	<u>Residence</u>	<u>Business</u>	<u>Residence</u>	(D)
Remote Call Forwarding, per access path					(T)
Ferrelview Kearney Norborne Platte City Rolla	\$16.95	\$16.95	\$8.85	\$8.85	(T)
St. Robert Waynesville	\$16.95	\$18.30	\$8.85	\$9.55	(T)
Weston	\$18.30	\$16.95	\$9.55	\$8.85	(T)
All Other Exchanges	\$18.30	\$18.30	\$9.55	\$9.55	(T)

b. Usage Charges

Any applicable usage charges to remotely forwarded calls shall include a rate for that portion of the call from the call forwarding location to the answering location. The Remote Call Forwarding customer is responsible for any applicable local usage unit charge specified in this tariff and/or customer-dialed station-to-station charges or interstate and intrastate charges specified in the Message Telecommunications Service Tariff. The aforementioned charges apply to all calls answered at the call forwarding location, including person-to-person and collect calls, if accepted.

(1) The Service and Equipment **Nonrecurring** Charge(s) will not apply on outside moves of customer's other service if there is no telephone number change. **The Service and Equipment Nonrecurring Charge does apply to change the number at the call-forwarding location; to change the number to which calls are forwarded at the request of the customer; or to change both numbers as stated above, at the same time.**

ISSUED:
August 2, 2007

BY: Darlene N. Terry
Manager - Tariffs
5454 W. 110th Street
Overland Park, Kansas 66211

EFFECTIVE:
September 1, 2007

GENERAL EXCHANGE TARIFF

EMBARQ MISSOURI, INC.
d/b/a EMBARQ

Fifth Revised Page 12
Cancels Fourth Revised Page 12

MISCELLANEOUS EQUIPMENT AND SERVICE

N. REMOTE CALL FORWARDING SERVICE (continued)

3. Rates and Charges

a. The following charges are for the Remote Call Forwarding service only and are in addition to applicable charges for service and equipment with which it is used.

	Monthly Rate	Service and Equipment Charge ⁽¹⁾⁽²⁾⁽³⁾⁽⁴⁾	
Remote Call Forwarding, per access path			
Non-Competitive Exchanges	\$18.30	\$9.55	
Competitive Exchanges			
Group A⁽⁵⁾	\$18.30	\$9.55	(CT)
Group B⁽⁵⁾	\$16.95	\$8.85	(CT)

b. Usage Charges

Any applicable usage charges to remotely forwarded calls shall include a rate for that portion of the call from the call forwarding location to the answering location. The Remote Call Forwarding customer is responsible for any applicable local usage unit charge specified in this tariff and/or customer-dialed station-to-station charges or interstate and intrastate charges specified in the Message Telecommunications Service Tariff. The aforementioned charges apply to all calls answered at the call forwarding location, including person-to-person and collect calls, if accepted.

- (1) The Service and Equipment Charge(s) will not apply on outside moves of customer's other service if there is no telephone number change.
- (2) To change the number at the call-forwarding location, a nonrecurring charge of \$9.55 (Non-Competitive Exchanges), \$9.55 (**Group A Competitive Exchanges**), and \$8.85 (**Group B Competitive Exchanges**) is applicable. (CT)
- (3) To change the number to which calls are forwarded at the request of the customer, a nonrecurring charge of \$9.55 (Non-Competitive Exchanges), \$9.55 (**Group A Competitive Exchanges**), and \$8.85 (**Group B Competitive Exchanges**) is applicable. (CT)
(CT)
- (4) To change both numbers as in (2) and (3), above, at the same time, a nonrecurring charge of \$9.55 (Non-Competitive Exchanges), \$9.55 (**Group A Competitive Exchanges**), and \$8.85 (**Group B Competitive Exchanges**) is applicable. (CT)
(CT)
- (5) **Competitive Exchange Group classifications may vary between residence and business services. See Section 16.X, Page 23 for a complete listing of Competitive Exchanges.** (AT)
(AT)

ISSUED:
June 29, 2006

BY: Chad Eckhart
Vice President – Regulatory Affairs
6450 Sprint Parkway
Overland Park, KS 66251

EFFECTIVE:
July 31, 2006

GENERAL EXCHANGE TARIFF

SPRINT MISSOURI, INC.
d/b/a SPRINT

Fourth Revised Page 12
Cancels Third Revised Page 12

MISCELLANEOUS EQUIPMENT AND SERVICE

N. REMOTE CALL FORWARDING SERVICE (continued)

3. Rates and Charges

a. The following charges are for the Remote Call Forwarding service only and are in addition to applicable charges for service and equipment with which it is used.

	<u>Monthly Rate</u>	<u>Service and Equipment Charge</u> ⁽¹⁾⁽²⁾⁽³⁾⁽⁴⁾	(CT)
Remote Call Forwarding, per access path			
Non-Competitive Exchanges	\$18.30	\$9.55	
Competitive Exchanges			(CT)
Jefferson City	\$18.30	\$9.55	(N)
All Other Exchanges	\$16.95	\$8.85	(CT)

b. Usage Charges

Any applicable usage charges to remotely forwarded calls shall include a rate for that portion of the call from the call forwarding location to the answering location. The Remote Call Forwarding customer is responsible for any applicable local usage unit charge specified in this tariff and/or customer-dialed station-to-station charges or interstate and intrastate charges specified in the Message Telecommunications Service Tariff. The aforementioned charges apply to all calls answered at the call forwarding location, including person-to-person and collect calls, if accepted.

- (1) The Service and Equipment Charge(s) will not apply on outside moves of customer's other service if there is no telephone number change. (CT)
- (2) To change the number at the call-forwarding location, a nonrecurring charge of \$9.55 (Non-Competitive Exchanges), **\$9.55 (Jefferson City Competitive Exchange)**, and \$8.85 (**All Other** Competitive Exchanges) is applicable. (CT)
|
(CT)
- (3) To change the number to which calls are forwarded at the request of the customer, a nonrecurring charge of \$9.55 (Non-Competitive Exchanges), **\$9.55 (Jefferson City Competitive Exchange)**, and \$8.85 (**All Other** Competitive Exchanges) is applicable. (CT)
|
(CT)
- (4) To change both numbers as in (2) and (3), above, at the same time, a nonrecurring charge of \$9.55 (Non-Competitive Exchanges), **\$9.55 (Jefferson City Competitive Exchange)**, and \$8.85 (**All Other** Competitive Exchanges) is applicable. (CT)
|
(CT)

ISSUED:
March 31, 2006

BY: Chad Eckhart
Vice President – Regulatory Affairs
6450 Sprint Parkway
Overland Park, KS 66251

EFFECTIVE:
May 1, 2006

Cancelled

July 31, 2006

Missouri Public
Service Commission

Filed

Missouri Public
Service Commission

GENERAL EXCHANGE TARIFF

SPRINT MISSOURI, INC.
d/b/a SPRINT

Third Revised Page 12
Cancels Second Revised Page 12

MISCELLANEOUS EQUIPMENT AND SERVICE

N. REMOTE CALL FORWARDING SERVICE (continued)

3. Rates and Charges

- a. The following charges are for the Remote Call Forwarding service only and are in addition to applicable charges for service and equipment with which it is used.

	<u>Monthly Rate</u>	<u>Service and Equipment Charge</u> ¹²³⁴	
Remote Call Forwarding, per access path			
Non-Competitive Exchanges	\$18.30	\$9.55	(1) (CT)
Competitive Exchanges	\$16.95	\$8.85	(CT)

- b. Usage Charges

Any applicable usage charges to remotely forwarded calls shall include a rate for that portion of the call from the call forwarding location to the answering location. The Remote Call Forwarding customer is responsible for any applicable local usage unit charge specified in this tariff and/or customer-dialed station-to-station charges or interstate and intrastate charges specified in the Message Telecommunications Service Tariff. The aforementioned charges apply to all calls answered at the call forwarding location, including person-to-person and collect calls, if accepted.

¹The Service and Equipment Charge(s) will not apply on outside moves of customer's other service if there is no telephone number change.

²To change the number at the call-forwarding location, a nonrecurring charge of **\$9.55 (Non-Competitive Exchanges)** and **\$8.85 (Competitive Exchanges)** is applicable. (1) (CT)
(CT)

³To change the number to which calls are forwarded at the request of the customer, a nonrecurring charge of **\$9.55 (Non-Competitive Exchanges)** and **\$8.85 (Competitive Exchanges)** is applicable. (1) (CT)
(CT)

⁴To change both numbers as in (2) and (3), above, at the same time, a nonrecurring charge of **\$9.55 (Non-Competitive Exchanges)** and **\$8.85 (Competitive Exchanges)** is applicable. (1) (CT)

ISSUED:
December 3, 2004

BY: Richard D. Lawson
State Executive, External Affairs
319 Madison
Jefferson City, MO 65101

EFFECTIVE:
January 18, 2005

Cancelled

May 1, 2006
Missouri Public
Service Commission

Filed
Missouri Public
Service Commission

REC'D OCT 25 2002

GENERAL EXCHANGE TARIFF

Service Commission

Second Revised Page 12
Cancels First Revised Page 12

SPRINT MISSOURI, INC.
d/b/a SPRINT

MISCELLANEOUS EQUIPMENT AND SERVICE

N. REMOTE CALL FORWARDING SERVICE (continued)

3. Rates and Charges

- a. The following charges are for the Remote Call Forwarding service only and are in addition to applicable charges for service and equipment with which it is used.

	Monthly Rate	Service and Equipment Charge ¹²³⁴	
Remote Call Forwarding, per access path	\$16.95	\$8.85	(1)

b. Usage Charges

Any applicable usage charges to remotely forwarded calls shall include a rate for that portion of the call from the call forwarding location to the answering location. The Remote Call Forwarding customer is responsible for any applicable local usage unit charge specified in this tariff and/or customer-dialed station-to-station charges or interstate and intrastate charges specified in the Message Telecommunications Service Tariff. The aforementioned charges apply to all calls answered at the call forwarding location, including person-to-person and collect calls, if accepted.

CANCELLED

JAN 18 2005

By *3rd RS 12*
Public Service Commission
MISSOURI

¹The Service and Equipment Charge(s) will not apply on outside moves of customer's other service if there is no telephone number change.

²To change the number at the call-forwarding location, a nonrecurring charge of \$8.20 is applicable.

³To change the number to which calls are forwarded at the request of the customer, a nonrecurring charge of \$8.20 is applicable.

⁴To change both numbers as in (2) and (3), above, at the same time, a nonrecurring charge of \$8.20 is applicable.

Missouri Public
Service Commission
IT-03-0166
FILED DEC 18 2002

ISSUED:
October 25, 2002

BY: Richard D. Lawson
State Executive, External Affairs
319 Madison
Jefferson City, MO 65101

EFFECTIVE:

DEC 18 2002

GENERAL EXCHANGE TARIFF

SPRINT MISSOURI, INC.
d/b/a SPRINT

First Revised Page 12
Cancels Original Page 12

MISCELLANEOUS EQUIPMENT AND SERVICE

Missouri Public

N. REMOTE CALL FORWARDING SERVICE (continued)

REC'D AUG 17 2001

3. Rates and Charges

Service Commission

- a. The following charges are for the Remote Call Forwarding service only and are in addition to applicable charges for service and equipment with which it is used.

	Monthly Rate -----	Service and Equipment Charge ¹²³⁴ -----
Remote Call Forwarding, per access path	\$15.95	\$8.20

b. Usage Charges

Any applicable usage charges to remotely forwarded calls shall include a rate for that portion of the call from the call forwarding location to the answering location. The Remote Call Forwarding customer is responsible for any applicable local usage unit **charge specified in this tariff and/or** customer-dialed station-to-station charges or interstate and intrastate charges specified in **the Message Telecommunications Service Tariff**. The aforementioned charges apply to all calls answered at the call forwarding location, including person-to-person and collect calls, if accepted.

(CT)
|
(CT)

CANCELLED

DEC 18 2002

By *2nd B.S. 12*
Public Service Commission

¹The Service and Equipment Charge(s) will not apply on outside moves of customer's other service if there is no telephone number change.

²To change the number at the call-forwarding location, a nonrecurring charge of \$8.20 is applicable.

³To change the number to which calls are forwarded at the request of the customer, a nonrecurring charge of \$8.20 is applicable.

⁴To change both numbers as in (2) and (3), above, at the same time, a nonrecurring charge of \$8.20 is applicable.

Missouri Public
FILED SEP 17 2001

ISSUED:
August 17, 2001

BY: Richard D. Lawson
State Executive, External Affairs
319 Madison
Jefferson City, MO 65101

EFFECTIVE:
September 17, 2001

UNITED TELEPHONE COMPANY
OF MISSOURI

GENERAL EXCHANGE TARIFF

Original Page 12

RECEIVED

MISCELLANEOUS EQUIPMENT AND SERVICE

SEP 17 1992

N. REMOTE CALL FORWARDING SERVICE (continued)

MISSOURI
PUBLIC SERVICE COMMISSION

3. Rates and Charges

- a. The following charges are for the Remote Call Forwarding service only and are in addition to applicable charges for service and equipment with which it is used.

	Monthly Rate	Service and Equipment Charge ¹²³⁴
Remote Call Forwarding, per access path	\$15.95	\$8.20

b. Usage Charges

Any applicable usage charges to remotely forwarded calls shall include a rate for that portion of the call from the call forwarding location to the answering location. The Remote Call Forwarding customer is responsible for any applicable local usage unit charge specified in the Local Exchange Tariff and/or customer-dialed station-to-station charges or interstate and intrastate charges specified in the Long Distance Message Telecommunications Service or 800 Service Tariffs. The aforementioned charges apply to all calls answered at the call forwarding location, including person-to-person and collect calls, if accepted.

CANCELLED

SEP 17 2001

By *1st RP#12*
Public Service Commission
MISSOURI

¹The Service and Equipment Charge(s) will not apply on outside moves of customer's other service if there is no telephone number change.

²To change the number at the call-forwarding location, a nonrecurring charge of \$8.20 is applicable.

³To change the number to which calls are forwarded at the request of the customer, a nonrecurring charge of \$8.20 is applicable.

⁴To change both numbers as in (2) and (3), above, at the same time, a nonrecurring charge of \$8.20 is applicable.

FILED

NOV 7 1992

MISSOURI PUBLIC SERVICE COMM.

ISSUED:
September 17, 1992

BY: John L. Roe
Vice President - Administration
5454 West 110th Street
Overland Park, Kansas 66211

EFFECTIVE:
~~October 17, 1992~~
NOV 7 1992

GENERAL EXCHANGE TARIFF

Embarq Missouri, Inc.
d/b/a **CenturyLink**

Seventh Revised Page 13 (C)
Cancels Sixth Revised Page 13 (C)

MISCELLANEOUS EQUIPMENT AND SERVICE

N. REMOTE CALL FORWARDING SERVICE (Cont'd)

3. Rates and Charges

c. Directory Listings

One listing covering the exchange in which the call forwarding Central Office is located is provided without charge. Additional Directory Listings may be obtained under tariff rates, see Directory Listings Section of this tariff.

O. RESERVED FOR FUTURE USE

(C)
(M)

(M)

(M) Material previously found on this page now appears on Tenth Revised Page 14, Fifth Revised Page 15 and Sixth Revised Page 16 of Section 16.

ISSUED:
May 2, 2012

BY: Darlene N. Terry
Manager - Tariffs
5454 W. 110th Street
Overland Park, Kansas 66211

EFFECTIVE:
June 1, 2012

Filed
Missouri Public
Service Commission
JI-2012-0684

GENERAL EXCHANGE TARIFF

SPRINT MISSOURI, INC.
d/b/a SPRINT

Sixth Revised Page 13
Cancels Fifth Revised Page 13

MISCELLANEOUS EQUIPMENT AND SERVICE

N. REMOTE CALL FORWARDING SERVICE (Cont'd)

3. Rates and Charges

c. Directory Listings

One listing covering the exchange in which the call forwarding Central Office is located is provided without charge. Additional Directory Listings may be obtained under tariff rates, see Directory Listings Section of this tariff.

O. LIFELINE ASSISTANCE

1. General

The Lifeline Assistance is designed to increase the availability of telecommunications services to low-income subscribers by providing a credit on monthly recurring local service to qualifying residential subscribers. Basic terms and conditions are in compliance with the FCC's Order on Universal Service in Order No. 97-157, Docket No. 96-45, which adopts the Federal-State Joint Board's recommendation in CC Docket 96-45, which complies with the Telecommunications Act of 1996. Specific rates are as prescribed by the Missouri Commission and are set forth in this Tariff. Lifeline Assistance is a federal support program that provides eligible customers with the following benefits:

- a. *A waiver of the Federal Subscriber Line Charge.*
- b. *A federal credit of \$1.75 off the customer's monthly basic local service charges.*
- c. *A waiver of the Federal Universal Service Fund End User Charge.*
- d. *A credit of \$3.50 provided by the State of Missouri.*
- e. *A second federal credit of \$1.75 which matches 50% of the state credit.*
- f. *Toll Restriction, upon the customer's request, will be provided at no charge.*
- g. *A waiver of the Telephone Company's service deposit requirement, if the customer elects to receive toll blocking. However, acceptance of toll blocking services will not be a condition for receiving service under Lifeline.*
- h. *Residence Lifeline Assistance consists of the following tariffed standard features and optional customer elected services at the applicable rates, charges and regulations for each feature and service provided:*
 - (1) *One-Party Residence Line Rate, including touch-tone dialing*
 - (2) *One standard white page directory listing*
 - (3) *Access to Directory Assistance and Operator Services*
 - (4) *Access to Emergency Services, including, but not limited to, 9-1-1- dialing*

(CT)

(CT)

(N)

(N)

(CT)

(CT)

ISSUED:
March 31, 2005

BY: Richard D. Lawson
State Executive, External Affairs
319 Madison
Jefferson City, MO 65101

EFFECTIVE:
May 1, 2005

FILED
MO PSC

REC'D JUN 19 2003

GENERAL EXCHANGE TARIFF

SPRINT MISSOURI, INC.
d/b/a SPRINT

Fifth Revised Page 13
Cancels Fourth Revised Page 13

MISCELLANEOUS EQUIPMENT AND SERVICES

CANCELLED

N. REMOTE CALL FORWARDING SERVICE (Cont'd)

3. Rates and Charges

c. Directory Listings

One listing covering the exchange in which the call forwarding Central Office is located is provided without charge. Additional Directory Listings may be obtained under tariff rates, see Directory Listings Section of this tariff.

MAY 01 2005
By *LHR* 5/13
Public Service Commission
MISSOURI

O. LIFELINE SERVICE

The Lifeline Service (Lifeline) program, sponsored by the FCC, is a means of maintaining and preserving universal service by providing a reduction in the price of basic local residential exchange access service to qualifying low-income subscribers.

A. GENERAL

1. Lifeline is a Federally funded reduction of the subscriber line charge (SLC) and a reduction of local service. Eligible applicants will receive a reduction of **\$8.25** on their local telephone bill. (1)
2. Federal Universal Service Fund End User Charge will not be billed to Lifeline customers.
3. Local service for Lifeline subscribers may not be disconnected for non-payment of toll charges.
 - a. Toll Restriction Service will be provided to Lifeline subscribers at no charge.
 - b. Lifeline subscribers are not required to accept Toll Restriction Service as a condition to avoid disconnection of local service for non-payment of toll.
 - c. Lifeline subscribers are not required to pay a service deposit in order to initiate service if the subscriber voluntarily elects to receive Toll Restriction Service.
4. Partial payments from Lifeline subscribers will be applied first to local service charges and then to toll charges.
5. Lifeline subscribers will not be denied re-establishment of service on the basis that the subscriber was previously disconnected for non-payment of toll charges.
6. Lifeline will not be furnished on a Foreign Exchange.

ISSUED:
June 19, 2003

BY: Richard D. Lawson
State Executive, External Affairs
319 Madison
Jefferson City, MO 65101

EFFECTIVE:
July 19, 2003

Missouri Public
Service Commission

FILED JUL 19 2003

GENERAL EXCHANGE TARIFF

SPRINT MISSOURI, INC.
d/b/a SPRINT

Fourth Revised Page 13
Cancels Third Revised Page 13

MISCELLANEOUS EQUIPMENT AND SERVICE

Missouri Public

N. REMOTE CALL FORWARDING SERVICE (Cont'd)

3. Rates and Charges

c. Directory Listings

One listing covering the exchange in which the call forwarding Central Office is located is provided without charge. Additional Directory Listings may be obtained under tariff rates, see Directory Listings Section of this tariff.

CANCELLED
JUL 19 2003
REC'D JUN 20 2002
By **SMRS13**
Public Service Commission
MISSOURI
Service Commission

O. LIFELINE SERVICE

The Lifeline Service (Lifeline) program, sponsored by the FCC, is a means of maintaining and preserving universal service by providing a reduction in the price of basic local residential exchange access service to qualifying low-income subscribers.

A. GENERAL

1. Lifeline is a Federally funded reduction of the subscriber line charge (SLC) and a reduction of local service. Eligible applicants will receive a reduction of \$7.75 on their local telephone bill. (I)
2. Federal Universal Service Fund End User Charge will not be billed to Lifeline customers.
3. Local service for Lifeline subscribers may not be disconnected for non-payment of toll charges.
 - a. Toll Restriction Service will be provided to Lifeline subscribers at no charge.
 - b. Lifeline subscribers are not required to accept Toll Restriction Service as a condition to avoid disconnection of local service for non-payment of toll.
 - c. Lifeline subscribers are not required to pay a service deposit in order to initiate service if the subscriber voluntarily elects to receive Toll Restriction Service.
4. Partial payments from Lifeline subscribers will be applied first to local service charges and then to toll charges.
5. Lifeline subscribers will not be denied re-establishment of service on the basis that the subscriber was previously disconnected for non-payment of toll charges.
6. Lifeline will not be furnished on a Foreign Exchange.

Missouri Public

FILED JUL 20 2002

Service Commission

ISSUED:
June 20, 2002

BY: Richard D. Lawson
State Executive, External Affairs
319 Madison
Jefferson City, MO 65101

EFFECTIVE:
July 20, 2002

P.S.C. MO.-No. 22 Section 18
GENERAL EXCHANGE TARIFF

SPRINT MISSOURI, INC.
d/b/a SPRINT

Third Revised Page 13
Cancels Second Revised Page 13

MISCELLANEOUS EQUIPMENT AND SERVICE

N. REMOTE CALL FORWARDING SERVICE (Cont'd)

3. Rates and Charges

c. Directory Listings

One listing covering the exchange in which the call forwarding Central Office is located is provided without charge. Additional Directory Listings may be obtained under tariff rates, see Directory Listings Section of this tariff.

O. LIFELINE SERVICE

The Lifeline Service (Lifeline) program, sponsored by the FCC, is a means of maintaining and preserving universal service by providing a reduction in the price of basic local residential exchange access service to qualifying low-income subscribers.

A. GENERAL

1. Lifeline is a Federally funded reduction of the subscriber line charge (SLC) and a reduction of local service. Eligible applicants will receive a reduction of **\$6.75** on their local telephone bill. (CR)
2. Federal Universal Service Fund End User Charge will not be billed to Lifeline customers.
3. Local service for Lifeline subscribers may not be disconnected for non-payment of toll charges.
 - a. Toll Restriction Service will be provided to Lifeline subscribers at no charge.
 - b. Lifeline subscribers are not required to accept Toll Restriction Service as a condition to avoid disconnection of local service for non-payment of toll.
 - c. Lifeline subscribers are not required to pay a service deposit in order to initiate service if the subscriber voluntarily elects to receive Toll Restriction Service.
4. Partial payments from Lifeline subscribers will be applied first to local service charges and then to toll charges.
5. Lifeline subscribers will not be denied re-establishment of service on the basis that the subscriber was previously disconnected for non-payment of toll charges.
6. Lifeline will not be furnished on a Foreign Exchange.

CANCELLED
44 RS 13
JUL 20 2002

Missouri Public
Service Commission

Missouri Public
REC'D JUN 15 2001
Service Commission

Missouri Public
FILED JUL 15 2001

Service Commission

ISSUED:
June 15, 2001

BY: Richard D. Lawson
State Executive, External Affairs
319 Madison
Jefferson City, MO 65101

EFFECTIVE:
July 15, 2001

GENERAL EXCHANGE TARIFF

SPRINT MISSOURI, INC.
d/b/a SPRINT

Second Revised Page 13
Cancels First Revised Page 13

MISCELLANEOUS EQUIPMENT AND SERVICE

RECEIVED

N. REMOTE CALL FORWARDING SERVICE (Cont'd)

JUN 29 2000

3. Rates and Charges

c. Directory Listings

MO. PUBLIC SERVICE COMM

One listing covering the exchange in which the call forwarding Central Office is located is provided without charge. Additional Directory Listings may be obtained under tariff rates, see Directory Listings Section of this tariff.

O. LIFELINE SERVICE

The Lifeline Service (Lifeline) program, sponsored by the FCC, is a means of maintaining and preserving universal service by providing a reduction in the price of basic local residential exchange access service to qualifying low-income subscribers.

A. GENERAL

- 1. Lifeline is a Federally funded reduction of the subscriber line charge (SLC) and a reduction of local service. Eligible applicants will receive a reduction of \$6.10 on their local telephone bill. (CR)
- 2. Federal Universal Service Fund End User Charge will not be billed to Lifeline customers. (CP)
(CP)
- 3. Local service for Lifeline subscribers may not be disconnected for non-payment of toll charges. (CT)
 - a. Toll Restriction Service will be provided to Lifeline subscribers at no charge.
 - b. Lifeline subscribers are not required to accept Toll Restriction Service as a condition to avoid disconnection of local service for non-payment of toll.
 - c. Lifeline subscribers are not required to pay a service deposit in order to initiate service if the subscriber voluntarily elects to receive Toll Restriction Service.
- 4. Partial payments from Lifeline subscribers will be applied first to local service charges and then to toll charges. (CT)
- 5. Lifeline subscribers will not be denied re-establishment of service on the basis that the subscriber was previously disconnected for non-payment of toll charges. (CT)
- 6. Lifeline will not be furnished on a Foreign Exchange. (CT)

CANCELLED

JUL 15 2001
By 312 RP 13
Public Service Commission
MISSOURI

ISSUED:
June 29, 2000

BY: Richard D. Lawson
State Executive, External Affairs
319 Madison
Jefferson City, MO 65101

EFFECTIVE:
JUL 21 2000
FILED

JUL 21 2000
00 - 859
MISSOURI
Public Service Commission

GENERAL EXCHANGE TARIFF

UNITED TELEPHONE COMPANY
OF MISSOURI d/b/a SPRINT

First Revised Page 13
Cancels Original Page 13

MISCELLANEOUS EQUIPMENT AND SERVICE

N. REMOTE CALL FORWARDING SERVICE (Cont'd)

DEC 31 1997

3. Rates and Charges

NO. 22-10 SERVICE COME

c. Directory Listings

One listing covering the exchange in which the call forwarding Central Office is located is provided without charge. Additional Directory Listings may be obtained under tariff rates, see Directory Listings Section of this tariff.

O. LIFELINE SERVICE

(CT)

The Lifeline Service (Lifeline) program, sponsored by the FCC, is a means of maintaining and preserving universal service by providing a reduction in the price of basic local residential exchange access service to qualifying low-income subscribers.

A. GENERAL

1. Lifeline is a Federally funded reduction of the subscriber line charge (SLC) and a reduction of local service. Eligible applicants will receive a reduction of \$5.25 on their local telephone bill.
2. Local service for Lifeline subscribers may not be disconnected for non-payment of toll charges.
 - a. Toll Restriction Service will be provided to Lifeline subscribers at no charge.
 - b. Lifeline subscribers are not required to accept Toll Restriction Service as a condition to avoid disconnection of local service for non-payment of toll.
 - c. Lifeline subscribers are not required to pay a service deposit in order to initiate service if the subscriber voluntarily elects to receive Toll Restriction Service.
3. Partial payments from Lifeline subscribers will be applied first to local service charges and then to toll charges.
4. Lifeline subscribers will not be denied re-establishment of service on the basis that the subscriber was previously disconnected for non-payment of toll charges.
5. Lifeline will not be furnished on a Foreign Exchange.

DEC 31 1997

(CT)

CANCELLED

JUL 21 2000

200-RS 13

By Public Service Commission
MISSOURI

ISSUED:
December 1, 1997

BY: John L. Roe
Vice President - Carrier and Regulatory Services
5454 West 110th Street
Overland Park, Kansas 66211

MISSOURI
Public Service Commission
EFFECTIVE:
December 31, 1997

UNITED TELEPHONE COMPANY
OF MISSOURI

GENERAL EXCHANGE TARIFF

Original Page 13

MISCELLANEOUS EQUIPMENT AND SERVICE

N. REMOTE CALL FORWARDING SERVICE (continued)

3. Rates and Charges

c. Directory Listings

One listing covering the exchange in which the call forwarding Central Office is located is provided without charge. Additional Directory Listings may be obtained under tariff rates, see Directory Listings Section of this tariff.

RECEIVED

SEP 17 1992

Public Service Commissioner

CANCELLED

DEC 31 1997

By Lt RS #13
Public Service Commission
MISSOURI

FILED

NOV 7 1992

MO. PUBLIC SERVICE COMM.

ISSUED:
September 17, 1992

BY: John L. Roe
Vice President - Administration
5454 West 110th Street
Overland Park, Kansas 66211

EFFECTIVE:
~~October 17, 1992~~
NOV 7 1992

GENERAL EXCHANGE TARIFF

Embarq Missouri, Inc.
d/b/a **CenturyLink**

Fifth Revised Page 14
Cancels Fourth Revised Page 14

(C)

MISCELLANEOUS EQUIPMENT AND SERVICE

O. **RESERVED FOR FUTURE USE** (Cont'd)

(C)

(M)

(M)

(M) Material previously found on this page now appears on Tenth Revised Page 14, Fifth Revised Page 15 and Sixth Revised Page 16 of Section 16.

ISSUED:
May 2, 2012

BY: Darlene N. Terry
Manager - Tariffs
5454 W. 110th Street
Overland Park, Kansas 66211

EFFECTIVE:
June 1, 2012

GENERAL EXCHANGE TARIFF

Embarq Missouri, Inc.
d/b/a Embarq

Fourth Revised Page 14
Cancels Third Revised Page 14

MISCELLANEOUS EQUIPMENT AND SERVICE

O. LIFELINE ASSISTANCE (Cont'd)

2. Regulations

a. Lifeline Assistance is available to residential customers who are currently participating in one of the following Federal assistance programs and who have been certified by the Department of Social Services (DDS) as economically disadvantaged:

(1) Low income assistance is available to all residential customers who demonstrate, by self certifying with the Telephone Company under penalty of perjury, that they are eligible for support by participation in:

- (a) Medicaid (MO HealthNet);
- (b) Supplemental Security Income (SSI);
- (c) **Supplemental Nutrition Assistance Program (SNAP);**
- (d) Federal public housing assistance, or Section 8;
- (e) Low Income Home Energy Assistance Program (LIHEAP);
- (f) Temporary Assistance For Needy Families (TANF);
- (g) National School Lunch's free lunch programs (NSL); or

(T)

b. State funded Lifeline Assistance is available to customers who are currently participating in one of the Federal programs outline above in O.2.a.(1), or in one of the following State programs. Eligible disabled Missouri customers who do not participate in the above referenced Federal programs, but who do participate in any of the following state programs, will only receive state support of \$3.50 per month.

(1) Disabled Assistance

A disabled customer, or a dependent, is a customer who requests or received residential local telecommunications service and meets the eligibility requirements set forth below. Disabled assistance is available to all residential customers who demonstrate, by self certifying with the Telephone Company under penalty of perjury, that they or a dependent, are totally and permanently disabled or blind and receiving any of the following:

- (a) Federal Social Security Disability benefits;
- (b) Federal Supplemental Security income benefits;
- (c) Veterans Administration benefits;
- (d) State blind pension pursuant to Section 209.010 to 209.160, RSMo;
- (e) State aid to blind persons pursuant to Section 209.240 RSMo; or
- (f) State supplemental payments pursuant to Section 208.030, RSMo Section 660.100.2 RSMo 2000.

ISSUED:
July 1, 2009

BY: Darlene N. Terry
Manager - Tariffs
5454 W. 110th Street
Overland Park, KS 66211

EFFECTIVE:
July 31, 2009

CANCELLED
June 1, 2012
Missouri Public
Service Commission
JI-2012-0684

FILED
Missouri Public
Service Commission
JL-2010-0002

GENERAL EXCHANGE TARIFF

Embarq Missouri, Inc.
d/b/a Embarq

Third Revised Page 14
Cancels Second Revised Page 14

MISCELLANEOUS EQUIPMENT AND SERVICE

O. LIFELINE ASSISTANCE (Cont'd)

2. Regulations

a. Lifeline Assistance is available to residential customers who are currently participating in one of the following Federal assistance programs and who have been certified by the Department of Social Services (DDS) as economically disadvantaged:

(1) Low income assistance is available to all residential customers who demonstrate, by self certifying with the Telephone Company under penalty of perjury, that they are eligible for support by participation in:

- (a) Medicaid (**MO HealthNet**);
- (b) Supplemental Security Income (SSI);
- (c) Food stamps;
- (d) Federal public housing assistance, or Section 8;
- (e) Low Income Home Energy Assistance Program (LIHEAP);
- (f) Temporary Assistance For Needy Families (TANF);
- (g) National School Lunch's free lunch programs (NSL); or

(T)

b. State funded Lifeline Assistance is available to customers who are currently participating in one of the Federal programs outline above in O.2.a.(1), or in one of the following State programs. Eligible disabled Missouri customers who do not participate in the above referenced Federal programs, but who do participate in any of the following state programs, will only receive state support of \$3.50 per month.

(1) Disabled Assistance

A disabled customer, or a dependent, is a customer who requests or received residential local telecommunications service and meets the eligibility requirements set forth below. Disabled assistance is available to all residential customers who demonstrate, by self certifying with the Telephone Company under penalty of perjury, that they or a dependent, are totally and permanently disabled or blind and receiving any of the following:

- (a) Federal Social Security Disability benefits;
- (b) Federal Supplemental Security income benefits;
- (c) Veterans Administration benefits;
- (d) State blind pension pursuant to Section 209.010 to 209.160, RSMo;
- (e) State aid to blind persons pursuant to Section 209.240 RSMo; or
- (f) State supplemental payments pursuant to Section 208.030, RSMo Section 660.100.2 RSMo 2000.

ISSUED:
January 27, 2009

CANCELLED
July 31, 2009
Missouri Public
Service Commission
JI-2010-0002

BY: Darlene N. Terry
Manager - Tariffs
5454 W. 110th Street
Overland Park, KS 66211

EFFECTIVE:
February 26, 2009

Filed
Missouri Public
Service Commission
JI-2009-0552

GENERAL EXCHANGE TARIFF

**Embarq Missouri, Inc.
d/b/a Embarq**

Second Revised Page 14 (C)
Cancels First Revised Page 14 (C)

MISCELLANEOUS EQUIPMENT AND SERVICE

O. LIFELINE ASSISTANCE (Cont'd)

2. Regulations

a. Lifeline Assistance is available to residential customers who are currently participating in one of the following Federal assistance programs and who have been certified by the Department of Social Services (DDS) as economically disadvantaged:

(1) Low income assistance is available to all residential customers who demonstrate, by self certifying with the Telephone Company under penalty of perjury, that they are eligible for support by participation in:

- (a) Medicaid;
- (b) Supplemental Security Income (SSI);
- (c) Food stamps;
- (d) Federal public housing assistance, or Section 8;
- (e) Low Income Home Energy Assistance Program (LIHEAP);
- (f) Temporary Assistance For Needy Families (TANF);
- (g) National School Lunch's free lunch programs (NSL); or

(D)
|
(D)

b. State funded Lifeline Assistance is available to customers who are currently participating in one of the Federal programs outline above in O.2.a.(1), or in one of the following State programs. Eligible disabled Missouri customers who do not participate in the above referenced Federal programs, but who do participate in any of the following state programs, will only receive state support of \$3.50 per month.

(1) Disabled Assistance

A disabled customer, or a dependent, is a customer who requests or received residential local telecommunications service and meets the eligibility requirements set forth below. Disabled assistance is available to all residential customers who demonstrate, by self certifying with the Telephone Company under penalty of perjury, that they or a dependent, are totally and permanently disabled or blind and receiving any of the following:

- (a) Federal Social Security Disability benefits;
- (b) Federal Supplemental Security income benefits;
- (c) Veterans Administration benefits;
- (d) State blind pension pursuant to Section 209.010 to 209.160, RSMo;
- (e) State aid to blind persons pursuant to Section 209.240 RSMo; or
- (f) State supplemental payments pursuant to Section 208.030, RSMo Section 660.100.2 RSMo 2000.

ISSUED:
August 21, 2008

BY: Darlene N. Terry
Manager - Tariffs
5454 W. 110th Street
Overland Park, KS 66211

EFFECTIVE:
September 20, 2008

Cancelled
February 26, 2009
Missouri Public
Service Commission
JI-2009-0552

FILED
Missouri Public
Service Commission

GENERAL EXCHANGE TARIFF

SPRINT MISSOURI, INC.
d/b/a SPRINT

First Revised Page 14
Cancels Original Page 14

MISCELLANEOUS EQUIPMENT AND SERVICE

O. LIFELINE ASSISTANCE (Cont'd)

2. Regulations

a. Lifeline Assistance is available to residential customers who are currently participating in one of the following Federal assistance programs and who have been certified by the Department of Social Services (DDS) as economically disadvantaged:

(1) Low income assistance is available to all residential customers who demonstrate, by self certifying with the Telephone Company under penalty of perjury, that they are eligible for support by participation in:

- (a) Medicaid;
- (b) Supplemental Security Income (SSI);
- (c) Food stamps;
- (d) Federal public housing assistance, or Section 8;
- (e) Low Income Home Energy Assistance Program (LIHEAP);
- (f) Temporary Assistance For Needy Families (TANF);
- (g) National School Lunch's free lunch programs (NSL); or
- (h) The applicant's total household gross income does not exceed 135% of the Federally established poverty levels set forth for the number of persons in applicant's household.

b. State funded Lifeline Assistance is available to customers who are currently participating in one of the Federal programs outline above in O.2.a.(1), or in one of the following State programs. Eligible disabled Missouri customers who do not participate in the above referenced Federal programs, but who do participate in any of the following state programs, will only receive state support of \$3.50 per month.

(1) Disabled Assistance

A disabled customer, or a dependent, is a customer who requests or received residential local telecommunications service and meets the eligibility requirements set forth below. Disabled assistance is available to all residential customers who demonstrate, by self certifying with the Telephone Company under penalty of perjury, that they or a dependent, are totally and permanently disabled or blind and receiving any of the following:

- (a) Federal Social Security Disability benefits;
- (b) Federal Supplemental Security income benefits;
- (c) Veterans Administration benefits;
- (d) State blind pension pursuant to Section 209.010 to 209.160, RSMo;
- (e) State aid to blind persons pursuant to Section 209.240 RSMo; or
- (f) State supplemental payments pursuant to Section 208.030, RSMo Section 660.100.2 RSMo 2000.

ISSUED:
March 31, 2005

BY: Richard D. Lawson
State Executive, External Affairs
319 Madison
Jefferson City, MO 65101

EFFECTIVE:
May 1, 2005

CANCELLED
September 20, 2008
Missouri Public
Service Commission

Filed
Missouri Public
Service Commission

(CT)

(N)
(CT)

(N)

(N)

GENERAL EXCHANGE TARIFF

UNITED TELEPHONE COMPANY
OF MISSOURI d/b/a SPRINT

Original Page 14

MISCELLANEOUS EQUIPMENT AND SERVICE

RECEIVED

O. LIFELINE SERVICE (Cont'd)

DEC 1 1997

B. ELIGIBILITY REQUIREMENTS

1. Lifeline will be provided for one (1) telephone line per household, at the subscriber's principle place of residence, to those individuals who meet the following two requirements:

- a. The applicant must have only one local exchange access line to his/her residential premises or dwelling place¹.
- b. The applicant's total household gross income does not exceed 150% of the Federally established poverty levels set forth for the number of persons in applicant's household.

2. Verification of the first requirement (a) will be accomplished through self-certification.

3. Verification of the second requirement (b) will be accomplished by the Telephone Company. A service order to enact Lifeline Service will not be issued until proof of the applicant's income level has been obtained and verified. As proof of income eligibility, an applicant can:

a. Show that he/she is currently a recipient of benefits from one of the following public assistance programs:

(1) The specified programs are as follows:

- Aid to Families with Dependent Children (AFDC)
- Food Stamps
- Home Energy Assistance Program (HEAP)
- Medicaid
- Supplemental Security Income (SSI)
- Federal Public Housing Assistance

CANCELLED
MAY 9 1 2005
1st RSK
Missouri Public Service Commission

¹ A residential premises or dwelling place is intended to be that location where an applicant resides, even if such residential premises or dwelling place is only a single room. Lifeline will not be provided if the applicant has access to other local exchange access telephone service within the residential premises or dwelling place, provided/owned by himself/herself or owned/provided by others. If, however, it can be determined by the Telephone Company that access to such other existing local exchange telephone service, owned/provided by others is virtually denied, or is inaccessible to the applicant, then Lifeline Service will be provided to the applicant.

DEC 31 1997

ISSUED:
December 1, 1997

BY: John L. Roe
Vice President - Carrier and Regulatory Services
5454 West 110th Street
Overland Park, Kansas 66211

MISSOURI
Public Service Commission
EFFECTIVE:
December 31, 1997

GENERAL EXCHANGE TARIFF

Embarq Missouri, Inc.
d/b/a **CenturyLink**

Third Revised Page 15
Cancels Second Revised Page 15

(C)

MISCELLANEOUS EQUIPMENT AND SERVICE

O. **RESERVED FOR FUTURE USE** (Cont'd)

(T)
(M)

(M)

(M) Material previously found on this page now appears on Tenth Revised Page 14, Fifth Revised Page 15 and Sixth Revised Page 16 of Section 16.

ISSUED:
May 2, 2012

BY: Darlene N. Terry
Manager - Tariffs
5454 W. 110th Street
Overland Park, Kansas 66211

EFFECTIVE:
June 1, 2012

Filed
Missouri Public
Service Commission
JI-2012-0684

GENERAL EXCHANGE TARIFF

Embarq Missouri, Inc.
d/b/a Embarq

Second Revised Page 15 (C)
Cancels First Revised Page 15 (C)

MISCELLANEOUS EQUIPMENT AND SERVICE

O. LIFELINE ASSISTANCE (Cont'd)

2. Regulations (Cont'd)

- c. The Access Line must be in the Lifeline recipient's name.
- d. At no time shall a customer's Lifeline rate go below zero.
- e. A Lifeline customer may subscribe to any local service offering available to other residence customers, **except suspension** of service which **is** not available on Lifeline Assistance. (C)
- f. The applicant must have only one local exchange access line to his/her residential premises or dwelling place¹.

3. Obligations of the Telephone Company

- a. Participants in Lifeline Assistance shall not be disconnected from local service for non-payment of toll charges. In addition, the Telephone Company will not deny re-establishment of local service to customers who are eligible for Lifeline Assistance and have previously been disconnected for non-payment of toll charges.
 - (1) Any Lifeline customer who has a past due balance in toll message charges will be automatically restricted from access to toll services until the outstanding balance is paid. The Restoral of Service charge applies to Lifeline customers who message toll service has been restricted for non-payment. If a Lifeline customer is toll restricted for a second occurrence, the Telephone Company may, at its discretion, place the Lifeline customer on a permanent toll restriction.
- b. Partial payments that are received from Lifeline customers will first be applied to local service charges and then to any outstanding toll charges.

¹ A residential premises or dwelling place is intended to be that location where an applicant resides, even if such residential premises or dwelling place is only a single room. Lifeline will not be provided if the applicant has access to other local exchange access telephone service within the residential premises or dwelling place, provided/owned by himself/herself or owned/provided by others. If, however, it can be determined by the Telephone Company that access to such other existing local exchange telephone service owned/provided by others is virtually denied, or is inaccessible to the applicant, then Lifeline Assistance will be provided to the applicant.

ISSUED:
October 2, 2008

BY: Darlene N. Terry
Manager - Tariffs
5454 W. 110th Street
Overland Park, KS 66211

EFFECTIVE:
November 1, 2008

GENERAL EXCHANGE TARIFF

SPRINT MISSOURI, INC.
d/b/a SPRINT

First Revised Page 15
Cancels Original Page 15

MISCELLANEOUS EQUIPMENT AND SERVICE

O. LIFELINE ASSISTANCE (Cont'd)

(CT)

2. Regulations (Cont'd)

- c. *The Access Line must be in the Lifeline recipient's name.*
- d. *At no time shall a customer's Lifeline rate go below zero.*
- e. *A Lifeline customer may subscribe to any local service offering available to other residence customers, except foreign exchange and suspension of service which are not available on Lifeline Assistance.*
- f. *The applicant must have only one local exchange access line to his/her residential premises or dwelling place¹.*

3. Obligations of the Telephone Company

- a. *Participants in Lifeline Assistance shall not be disconnected from local service for non-payment of toll charges. In addition, the Telephone Company will not deny re-establishment of local service to customers who are eligible for Lifeline Assistance and have previously been disconnected for non-payment of toll charges.*

(1) *Any Lifeline customer who has a past due balance in toll message charges will be automatically restricted from access to toll services until the outstanding balance is paid. The Restoral of Service charge applies to Lifeline customers who message toll service has been restricted for non-payment. If a Lifeline customer is toll restricted for a second occurrence, the Telephone Company may, at its discretion, place the Lifeline customer on a permanent toll restriction.*

- b. *Partial payments that are received from Lifeline customers will first be applied to local service charges and then to any outstanding toll charges.*

¹ *A residential premises or dwelling place is intended to be that location where an applicant resides, even if such residential premises or dwelling place is only a single room. Lifeline will not be provided if the applicant has access to other local exchange access telephone service within the residential premises or dwelling place, provided/owned by himself/herself or owned/provided by others. If, however, it can be determined by the Telephone Company that access to such other existing local exchange telephone service owned/provided by others is virtually denied, or is inaccessible to the applicant, then Lifeline Assistance will be provided to the applicant.*

(CT)

ISSUED:
March 31, 2005

BY: Richard D. Lawson
State Executive, External Affairs
319 Madison
Jefferson City, MO 65101

EFFECTIVE:
May 1, 2005

CANCELLED
November 1, 2008
Missouri Public
Service Commission

Filed
Missouri Public
Service Commission

RECEIVED

UNITED TELEPHONE COMPANY
OF MISSOURI d/b/a SPRINT

GENERAL EXCHANGE TARIFF

DEC 1 1997
Original Page 15

MISCELLANEOUS EQUIPMENT AND SERVICE

MO. PUBLIC SERVICE COM.

O. LIFELINE SERVICE (Cont'd)

B. ELIGIBILITY REQUIREMENTS (Cont'd)

3. (Cont'd)

a. (Cont'd)

(2) Individuals choosing this option are required to obtain and mail to the Telephone Company a photocopy of a valid identification card or the appropriate documents that are issued to them by the agency administering the program.

b. Provide a copy of the most recent Individual Income Tax Return that was submitted to the Internal Revenue Service.

(1) Individuals choosing this option are required to obtain and mail to the Telephone Company a photocopy of the most recent U.S. Individual Tax Return (Form 1040, 1040A or 1040EZ) that was submitted to the Internal Revenue Service.

c. The Telephone Company will look at the number of exemptions reported to determine the size of the family unit and the dollar amount reported on the adjusted gross income line. These figures will then be compared to current federal poverty income level guideline tables, as published in the Federal register, to determine if the applicant meets the income criteria.

C. CERTIFICATION

1. The applicant will certify eligibility for Lifeline Service. Recertification is required annually or at any time the qualifying criteria for recipients changes.

Recipients of Lifeline Service must notify the Telephone Company when they no longer qualify for Lifeline Service. Upon receipt of the notification, the Telephone Company will discontinue Lifeline Service.

If the Telephone Company discovers that conditions exist that disqualify the recipient of Lifeline Service, local service will be billed at the full rate. The customer will be billed retroactively to whichever is the most recent of the dates Lifeline Service commenced or the recipient no longer qualifies for the service not to exceed 12 months.

FILED

DEC 31 1997

MISSOURI
Public Service Commission
EFFECTIVE:

December 31, 1997

ISSUED:
December 1, 1997

BY: John L. Roe
Vice President - Carrier and Regulatory Services
5454 West 110th Street
Overland Park, Kansas 66211

CANCELLED
MAY 9 1 2005
LRSIS
Public Service Commission
MISSOURI

GENERAL EXCHANGE TARIFF

Embarq Missouri, Inc.
d/b/a CenturyLink

Second Revised Page 15.1
Cancels First Revised Page 15.1

MISCELLANEOUS EQUIPMENT AND SERVICE

O. **RESERVED FOR FUTURE USE** (Cont'd)

(T)

(M)

(M)

(M) Material previously found on this page now appears on Tenth Revised Page 14, Fifth Revised Page 15, Sixth Revised Page 16 and Sixth Revised Page 17 of Section 16.

ISSUED:
May 2, 2012

BY: Darlene N. Terry
Manager - Tariffs
5454 W. 110th Street
Overland Park, Kansas 66211

EFFECTIVE:
June 1, 2012

Filed
Missouri Public
Service Commission
JI-2012-0684

GENERAL EXCHANGE TARIFF

**Embarq Missouri, Inc.
d/b/a CenturyLink**

First Revised Page 15.1 (C)
Cancels Original Page 15.1 (C)

MISCELLANEOUS EQUIPMENT AND SERVICE

O. LIFELINE ASSISTANCE (Cont'd)

4. Obligations of the Customer

The Telephone Company shall require, as proof of eligibility for Lifeline Assistance, a document signed by the customer, certifying under penalty of perjury that the customer is receiving benefits from one of the programs identified; identifying the specific program or programs from which the customer receives benefits, and agreeing to notify the carrier if the customer ceases to participate in such program or **programs**.

(D)
(D)

5. State Universal Service Assessment

Beginning May 1, 2005, the Telephone Company will assess a surcharge to support low income/disabled universal services in Missouri. This surcharge, equal to the Missouri Universal Service Fund (USF) percentage assessment ordered by the commission, will be a percentage of the regulated customer's retail revenues that meet the definition of net jurisdictional revenues at 4 CSR 240-31.010(12). The surcharge will appear as a separate line item detailed as "Missouri Universal Service Fund". The surcharge will not be assessed on Lifeline, coin, wireless or resold accounts, or on unregulated services including, but not limited to, maintenance and inside wiring charges.

ISSUED:
April 3, 2012

BY: Darlene N. Terry
Manager - Tariffs
5454 W. 110th Street
Overland Park, KS 66211

EFFECTIVE:
May 3, 2012

CANCELLED
June 1, 2012
Missouri Public
Service Commission
JI-2012-0684

FILED
Missouri Public
Service Commission
JI-2012-0569

GENERAL EXCHANGE TARIFF

SPRINT MISSOURI, INC.
d/b/a SPRINT

Original Page 15.1

MISCELLANEOUS EQUIPMENT AND SERVICE

O. LIFELINE ASSISTANCE (Cont'd)

4. Obligations of the Customer

The Telephone Company shall require, as proof of eligibility for Lifeline Assistance, a document signed by the customer, certifying under penalty of perjury that the customer is receiving benefits from one of the programs identified; identifying the specific program or programs from which the customer receives benefits, and agreeing to notify the carrier if the customer ceases to participate in such program or programs. If a customer is simultaneously applying for both Lifeline and Link Up, such customer may utilize the same document to verify eligibility for both programs.

5. State Universal Service Assessment

Beginning May 1, 2005, the Telephone Company will assess a surcharge to support low income/disabled universal services in Missouri. This surcharge, equal to the Missouri Universal Service Fund (USF) percentage assessment ordered by the commission, will be a percentage of the regulated customer's retail revenues that meet the definition of net jurisdictional revenues at 4 CSR 240-31.010(12). The surcharge will appear as a separate line item detailed as "Missouri Universal Service Fund". The surcharge will not be assessed on Lifeline, coin, wireless or resold accounts, or on unregulated services including, but not limited to, maintenance and inside wiring charges.

ISSUED:
March 31, 2005

BY: Richard D. Lawson
State Executive, External Affairs
319 Madison
Jefferson City, MO 65101

EFFECTIVE:
May 1, 2005

CANCELLED
May 3, 2012
Missouri Public
Service Commission
JI-2012-0569

Filed
Missouri Public
Service Commission

GENERAL EXCHANGE TARIFF

Embarq Missouri, Inc.
d/b/a CenturyLink

First Revised Page 16 (C)
Cancels Original Page 16 (C)

MISCELLANEOUS EQUIPMENT AND SERVICE

P. TOLL AND CASUAL DIALING RESTRICTION SERVICE

1. Description

Where central office facilities permit, Toll and Casual Dialing Restriction prevents the completion of certain types of calls. Toll and Casual Dialing Restriction may be provided with individual line residence and business exchange services in exchanges equipped to program Toll and Casual Dialing Restriction without alteration of the central office equipment.

2. Terms and Conditions

- a. Toll and Casual Dialing Restriction Options 1 and 2 restrict access to 1+, 0+ 0-, and 00-, and restrict access to 01/011+ numbers outside of the North American Numbering Plan. Access to 900, 976, 500 and 700 numbers is also restricted in addition to Directory Assistance and the casual dialing of toll calls (by preceding the telephone number with 101XXXX+). Option 1 additionally restricts access to Toll Free Code numbers. **Option 3 blocks 01/011+ and 101XXXX 011/011+ numbers outside of the North American Numbering Plan and blocks 900/976 numbers.**
- b. Restriction of access to operator services prevents the customer from dialing an operator for all purposes, including emergencies, assistance and the placing of toll calls. Operator Services will not be accessible from a line with Toll and Casual Dialing Restriction Option 1 or 2. The customer indemnifies and saves harmless the Company from any and all claims, losses, or damages caused by restriction of access to operator services.
- c. Directory Assistance (411, 1411, 555-1212, 1-555-1212, or 1-NPA-555-1212) will not be accessible from a line with Toll and Casual Dialing Restriction Option 1 or 2.
- d. All local calls and non-chargeable calls to Company numbers (such as repair service) will be permitted.
- e. Where facilities allow, N11 (except 411) will only be restricted with Option 1 and 2 if the call terminates outside the local calling area or to a non-toll-free number.
- f. Toll and Casual Dialing Restriction does not restrict calls to 911 emergency reporting service or to 1+710 Government Emergency Telecommunications Service Calls.
- g. Customers are responsible for calls charged to their number via third number billing, collect or credit card.

(N)
(N)

ISSUED:
May 15, 2014

BY: Darlene N. Terry
Manager - Tariffs
5454 W. 110th Street
Overland Park, Kansas 66211

EFFECTIVE:
June 14, 2014

MO 14-03

P.S.C. MO.-No. 22 Section 18
GENERAL EXCHANGE TARIFF

SPRINT MISSOURI, INC.
d/b/a SPRINT

Original Page 16

MISCELLANEOUS EQUIPMENT AND SERVICE

P. TOLL AND CASUAL DIALING RESTRICTION SERVICE

1. Description

Where central office facilities permit, Toll and Casual Dialing Restriction prevents the completion of certain types of calls. Toll and Casual Dialing Restriction may be provided with individual line residence and business exchange services in exchanges equipped to program Toll and Casual Dialing Restriction without alteration of the central office equipment.

2. Terms and Conditions

- a. Toll and Casual Dialing Restriction Options 1 and 2 restrict access to 1+, 0+ 0-, and 00-, and restrict access to 01/011+ numbers outside of the North American Numbering Plan. Access to 900, 976, 500 and 700 numbers is also restricted in addition to Directory Assistance and the casual dialing of toll calls (by preceding the telephone number with 101XXXX+). Option 1 additionally restricts access to Toll Free Code numbers.
- b. Restriction of access to operator services prevents the customer from dialing an operator for all purposes, including emergencies, assistance and the placing of toll calls. Operator Services will not be accessible from a line with Toll and Casual Dialing Restriction Option 1 or 2. The customer indemnifies and saves harmless the Company from any and all claims, losses, or damages caused by restriction of access to operator services.
- c. Directory Assistance (411, 1411, 555-1212, 1-555-1212, or 1-NPA-555-1212) will not be accessible from a line with Toll and Casual Dialing Restriction Option 1 or 2.
- d. All local calls and non-chargeable calls to Company numbers (such as repair service) will be permitted.
- e. Where facilities allow, N11 (except 411) will only be restricted with Option 1 and 2 if the call terminates outside the local calling area or to a non-toll-free number.
- f. Toll and Casual Dialing Restriction does not restrict calls to 911 emergency reporting service or to 1+710 Government Emergency Telecommunications Service Calls.
- g. Customers are responsible for calls charged to their number via third number billing, collect or credit card.

ISSUED:
August 4, 2003

BY: Richard D. Lawson
State Executive, External Affairs
319 Madison
Jefferson City, MO 65101

EFFECTIVE:
September 3, 2003

CANCELLED
June 14, 2014
Missouri Public
Service Commission
JI-2014-0463

Filed
Missouri Public
Service Commission

GENERAL EXCHANGE TARIFF

Embarq Missouri, Inc.
d/b/a CenturyLink

Fifth Revised Page 17
Cancels Fourth Revised Page 17

(C)

MISCELLANEOUS EQUIPMENT AND SERVICE

P. TOLL AND CASUAL DIALING RESTRICTION SERVICE (Cont'd)

2. Terms and Conditions (Cont'd)

- h. Lifeline subscribers may receive Toll and Casual Dialing Restriction without paying a monthly or non-recurring charge.
- i. Listed following are the Toll and Casual Dialing Restriction options as determined by the Company. These options may be changed or new options added as determined appropriate by the Company. A customer may select one of the following Toll and Casual Dialing Restriction options:

Option #1 1+ DDD
 0-, 0+, 00-
 01/011+DDD to numbers outside the
 North American Numbering Plan
 Directory Assistance (411, 1411, 555-1212,
 1-555-1212, 1-NPA-555-1212)
 101XXXX access to toll numbers
 Toll Free Code numbers (1 + 800, 1 + 888, etc.)
 N11, 500, 700, 900, 976
 (Allows 1+710 and 911 calls)

Option #2 1+ DDD
 0-, 0+, 00-
 01/011+DDD to numbers outside the
 North American Numbering Plan
 Directory Assistance (411, 1411, 555-1212,
 1-555-1212, 1-NPA-555-1212)
 101XXXX access to toll numbers
 N11, 500, 700, 900, 976
 (Allows toll free, 1+710 and 911 calls.)

Option #3 **01/011+DDD to numbers outside the**
 North American Numbering Plan
101XXXX 01/011+DDD to numbers outside the
 North American Numbering Plan
900/976

(N)
|
(N)

(M)

(M) Material now appears on Page 17.1.

ISSUED:
May 15, 2014

BY: Darlene N. Terry
Manager - Tariffs
5454 W. 110th Street
Overland Park, Kansas 66211

EFFECTIVE:
June 14, 2014

MO 14-03

GENERAL EXCHANGE TARIFF

Embarq Missouri, Inc.
d/b/a Embarq

Fourth Revised Page 17
Cancels Third Revised Page 17

MISCELLANEOUS EQUIPMENT AND SERVICE

P. TOLL AND CASUAL DIALING RESTRICTION SERVICE (Cont'd)

2. Terms and Conditions (Cont'd)

- h. Lifeline subscribers may receive Toll and Casual Dialing Restriction without paying a monthly or non-recurring charge.
- i. Listed following are the Toll and Casual Dialing Restriction options as determined by the Company. These options may be changed or new options added as determined appropriate by the Company. A customer may select one of the following Toll and Casual Dialing Restriction options:

Option #1 1+ DDD
 0-, 0+, 00-
 01/011+DDD to numbers outside the
 North American Numbering Plan
 Directory Assistance (411, 1411, 555-1212,
 1-555-1212, 1-NPA-555-1212)
 101XXXX access to toll numbers
 Toll Free Code numbers (1 + 800, 1 + 888, etc.)
 N11, 500, 700, 900, 976
 (Allows 1+710 and 911 calls)

Option #2 1+ DDD
 0-, 0+, 00-
 01/011+DDD to numbers outside the
 North American Numbering Plan
 Directory Assistance (411, 1411, 555-1212,
 1-555-1212, 1-NPA-555-1212)
 101XXXX access to toll numbers
 N11, 500, 700, 900, 976
 (Allows toll free, 1+710 and 911 calls.)

3. Rates

Rates and charges are in addition to the established monthly and non-recurring charges applicable to services or equipment associated with Toll and Casual Dialing Service Restriction.

	<u>Nonrecurring Charge</u>	<u>Monthly Rate</u>	
Option #1	\$17.25	\$4.00	(1)
Option #2	\$17.25	\$4.00	(1)

ISSUED:
January 20, 2009

BY: Darlene N. Terry
 Manager - Tariffs
 5454 W. 110th Street
 Overland Park, Kansas 66211

EFFECTIVE:
February 1, 2009

CANCELLED
 June 14, 2014
 Missouri Public
 Service Commission
 JI-2014-0463

FILED
 Missouri Public
 Service Commission
 JI-2009-0528

GENERAL EXCHANGE TARIFF

Embarq Missouri, Inc.
d/b/a Embarq

Third Revised Page 17
Cancels Second Revised Page 17

MISCELLANEOUS EQUIPMENT AND SERVICE

P. TOLL AND CASUAL DIALING RESTRICTION SERVICE (Cont'd)

2. Terms and Conditions (Cont'd)

- h. Lifeline subscribers may receive Toll and Casual Dialing Restriction without paying a monthly or non-recurring charge.
- i. Listed following are the Toll and Casual Dialing Restriction options as determined by the Company. These options may be changed or new options added as determined appropriate by the Company. A customer may select one of the following Toll and Casual Dialing Restriction options:

Option #1 1+ DDD
 0-, 0+, 00-
 01/011+DDD to numbers outside the
 North American Numbering Plan
 Directory Assistance (411, 1411, 555-1212,
 1-555-1212, 1-NPA-555-1212)
 101XXXX access to toll numbers
 Toll Free Code numbers (1 + 800, 1 + 888, etc.)
 N11, 500, 700, 900, 976
 (Allows 1+710 and 911 calls)

Option #2 1+ DDD
 0-, 0+, 00-
 01/011+DDD to numbers outside the
 North American Numbering Plan
 Directory Assistance (411, 1411, 555-1212,
 1-555-1212, 1-NPA-555-1212)
 101XXXX access to toll numbers
 N11, 500, 700, 900, 976
 (Allows toll free, 1+710 and 911 calls.)

3. Rates

Rates and charges are in addition to the established monthly and non-recurring charges applicable to services or equipment associated with Toll and Casual Dialing Service Restriction.

	Nonrecurring <u>Charge</u>	Monthly <u>Rate</u>	
Option #1	\$17.25	\$2.25	(l)
Option #2	\$17.25	\$2.25	(l)

ISSUED:
December 3, 2007

BY: Darlene N. Terry
Manager - Tariffs
5454 W. 110th Street
Overland Park, Kansas 66211

EFFECTIVE:
January 30, 2008

CANCELLED
February 1, 2009
Missouri Public
Service Commission
JI-2009-0528

FILED
Missouri Public
Service Commission

GENERAL EXCHANGE TARIFF

**Embarq Missouri, Inc.
d/b/a Embarq**

Second Revised Page 17 (T)
Cancels First Revised Page 17 (T)

MISCELLANEOUS EQUIPMENT AND SERVICE

P. TOLL AND CASUAL DIALING RESTRICTION SERVICE (Cont'd)

2. Terms and Conditions (Cont'd)

- h. Lifeline subscribers may receive Toll and Casual Dialing Restriction without paying a monthly or non-recurring charge.
- i. Listed following are the Toll and Casual Dialing Restriction options as determined by the Company. These options may be changed or new options added as determined appropriate by the Company. A customer may select one of the following Toll and Casual Dialing Restriction options:

Option #1 1+ DDD
 0-, 0+, 00-
 01/011+DDD to numbers outside the
 North American Numbering Plan
 Directory Assistance (411, 1411, 555-1212,
 1-555-1212, 1-NPA-555-1212)
 101XXXX access to toll numbers
 Toll Free Code numbers (1 + 800, 1 + 888, etc.)
 N11, 500, 700, 900, 976
 (Allows 1+710 and 911 calls)

Option #2 1+ DDD
 0-, 0+, 00-
 01/011+DDD to numbers outside the
 North American Numbering Plan
 Directory Assistance (411, 1411, 555-1212,
 1-555-1212, 1-NPA-555-1212)
 101XXXX access to toll numbers
 N11, 500, 700, 900, 976
 (Allows toll free, 1+710 and 911 calls.)

3. Rates

Rates and charges are in addition to the established monthly and non-recurring charges applicable to services or equipment associated with Toll and Casual Dialing Service Restriction.

	<u>Nonrecurring Charge</u>	<u>Monthly Rate</u>	
Option #1	\$17.25	\$2.15	(T)
Option #2	\$17.25	\$2.15	(T)

ISSUED:
August 2, 2007

BY: Darlene N. Terry
 Manager - Tariffs
 5454 W. 110th Street
 Overland Park, Kansas 66211

EFFECTIVE:
September 1, 2007

GENERAL EXCHANGE TARIFF

SPRINT MISSOURI, INC.
d/b/a SPRINT

First Revised Page 17
Cancels Original Page 17

MISCELLANEOUS EQUIPMENT AND SERVICE

P. TOLL AND CASUAL DIALING RESTRICTION SERVICE (Cont'd)

2. Terms and Conditions (Cont'd)

- h. Lifeline subscribers may receive Toll and Casual Dialing Restriction without paying a monthly or non-recurring charge.
- i. Listed following are the Toll and Casual Dialing Restriction options as determined by the Company. These options may be changed or new options added as determined appropriate by the Company. A customer may select one of the following Toll and Casual Dialing Restriction options:

Option #1 1+ DDD
0-, 0+, 00-
01/011+DDD to numbers outside the
North American Numbering Plan
Directory Assistance (411, 1411, 555-1212,
1-555-1212, 1-NPA-555-1212)
101XXXX access to toll numbers
Toll Free Code numbers (1 + 800, 1 + 888, etc.)
N11, 500, 700, 900, 976
(Allows 1+710 and 911 calls)

Option #2 1+ DDD
0-, 0+, 00-
01/011+DDD to numbers outside the
North American Numbering Plan
Directory Assistance (411, 1411, 555-1212,
1-555-1212, 1-NPA-555-1212)
101XXXX access to toll numbers
N11, 500, 700, 900, 976
(Allows toll free, 1+710 and 911 calls.)

3. Rates

Rates and charges are in addition to the established monthly and non-recurring charges applicable to services or equipment associated with Toll and Casual Dialing Service Restriction.

	<u>Nonrecurring Charge</u>	<u>Monthly Rate</u>	
Option #1			
Non-Competitive Exchanges	\$17.25	\$2.15	(1) (CT)
Competitive Exchanges	\$17.25	\$2.15	(1) (CT)
Option #2			
Non-Competitive Exchanges	\$17.25	\$2.15	(1) (CT)
Competitive Exchanges	\$17.25	\$2.15	(1) (CT)

ISSUED:
December 3, 2004

BY: Richard D. Lawson
State Executive, External Affairs
319 Madison
Jefferson City, MO 65101

EFFECTIVE:
January 18, 2005

CANCELLED
September 1, 2007
Missouri Public
Service Commission

Filed
Missouri Public
Service Commission

P.S.C. MO.-No. 22 Section 18
GENERAL EXCHANGE TARIFF

SPRINT MISSOURI, INC.
d/b/a SPRINT

Original Page 17

MISCELLANEOUS EQUIPMENT AND SERVICE

Missouri Public

P. TOLL AND CASUAL DIALING RESTRICTION SERVICE (Cont'd)

REC'D AUG 04 2003

2. Terms and Conditions (Cont'd)

- h. Lifeline subscribers may receive Toll and Casual Dialing Restriction without paying a monthly or non-recurring charge.
- i. Listed following are the Toll and Casual Dialing Restriction options as determined by the Company. These options may be changed or new options added as determined appropriate by the Company. A customer may select one of the following Toll and Casual Dialing Restriction options:

Service Commission

Option #1 1+ DDD
 0-, 0+, 00-
 01/011+DDD to numbers outside the
 North American Numbering Plan
 Directory Assistance (411, 1411, 555-1212,
 1-555-1212, 1-NPA-555-1212)
 101XXXX access to toll numbers
 Toll Free Code numbers (1 + 800, 1 + 888, etc.)
 N11, 500, 700, 900, 976
 (Allows 1+710 and 911 calls)

CANCELLED

Option #2 1+ DDD
 0-, 0+, 00-
 01/011+DDD to numbers outside the
 North American Numbering Plan
 Directory Assistance (411, 1411, 555-1212,
 1-555-1212, 1-NPA-555-1212)
 101XXXX access to toll numbers
 N11, 500, 700, 900, 976
 (Allows toll free, 1+710 and 911 calls.)

JAN 18 2005
By *lsh* *RS 17*
public Service Commission
MISSOURI

3. Rates

Rates and charges are in addition to the established monthly and non-recurring charges applicable to services or equipment associated with Toll and Casual Dialing Service Restriction.

	<u>Nonrecurring Charge</u>	<u>Monthly Rate</u>
Option #1	Per SCC Section (Service Order Charge Applies)	\$2.00
Option #2	Per SCC Section (Service Order Charge Applies)	\$2.00

ISSUED:
August 4, 2003

BY: Richard D. Lawson
State Executive, External Affairs
319 Madison
Jefferson City, MO 65101

EFFECTIVE:
September 3, 2003

Missouri Public
Service Commission

FILED SEP 03 2003

P.S.C. MO.-No. 22 Section 18
GENERAL EXCHANGE TARIFF

Embarq Missouri, Inc.
d/b/a CenturyLink

Original Page 17.1

MISCELLANEOUS EQUIPMENT AND SERVICE

P. TOLL AND CASUAL DIALING RESTRICTION SERVICE (Cont'd)

3. Rates

Rates and charges are in addition to the established monthly and non-recurring charges applicable to services or equipment associated with Toll and Casual Dialing Service Restriction.

	<u>Nonrecurring Charge</u>	<u>Monthly Rate</u>	
Option #1	\$17.25	\$4.00	(M)
Option #2	17.25	4.00	(M)
Option #3	20.00	0.00	(N)

ISSUED:
May 15, 2014

BY: Darlene N. Terry
Manager - Tariffs
5454 W. 110th Street
Overland Park, Kansas 66211

EFFECTIVE:
June 14, 2014

MO 14-03

CANCELLED
October 1, 2014
Missouri Public
Service Commission
JI-2015-0081

FILED
Missouri Public
Service Commission
JI-2014-0463

GENERAL EXCHANGE TARIFF

SPRINT MISSOURI, INC
d/b/a SPRINT

Original Sheet 18

MISCELLANEOUS EQUIPMENT AND SERVICES

Q. CALL LINE IDENTIFIER

1. General

- a. Call Line Identifier is used to attempt to trace and identify, at the request of a subscriber, the source or origin of obscene, harassing, and/or other nuisance type of telephone calls. Call Line Identifier service is intended for situations where subscribers require extended trace for a specified length of time on a per line basis. The Call Trace feature, as specified in Section 43 of this tariff, differs from Call Line Identifier service in that Call Trace is activated on a per call basis.

2. Regulations

- a. Subscribers initiate requests for Call Line Identifier service by contacting the Annoyance Call Center.
- b. Requests for Call Line Identifier service will be evaluated by the Annoyance Call Center. The Telephone Company will trace calls when requested based upon the availability of line identification equipment.
- c. Call Line Identifier service will apply per line upon request at the rates and for the time periods specified in Section 18.Q.3. following.
- d. The Telephone Company does not guarantee successful call trace results when line identification equipment is placed. When call trace results are successful, the identity of the offending line subscriber will only be furnished to the appropriate law enforcement agency, pursuant to signed Disclosure Authorization by the offended subscriber.
- e. In the event a customer requested call trace is unsuccessful, the customer will be given the option of changing the telephone number at no charge.
- f. The Telephone Company will not be liable for any damages or injuries of whatever kind to property or to any individuals, which may, in any manner, result from the provision of this service, or from any mistakes, interruptions, delays, or errors by the Telephone Company in connection with Call Line Identifier service which were not caused by the Telephone Company's failure to maintain proper standards of maintenance and operation or by the Telephone Company's failure to exercise reasonable supervision (i.e., willful neglect).

ISSUED:
July 30, 2004

BY: Richard D. Lawson
State Executive, External Affairs
319 Madison
Jefferson City, MO 65101

EFFECTIVE:
September 1, 2004

GENERAL EXCHANGE TARIFF

SPRINT MISSOURI, INC
d/b/a SPRINT

Original Sheet 19

MISCELLANEOUS EQUIPMENT AND SERVICES

Q. CALL LINE IDENTIFIER (Continued)

2. Regulations (Continued)

- g. This tariff does not apply to trap and trace ordered by the state or federal courts, or to emergency situations, such as kidnapping, threatening of jurors, witnesses, or judicial officers, or similar emergencies, declared by law enforcement agency within its legal powers.
- h. Any Call Line Identifier conducted under this tariff shall be at the discretion of the Telephone Company and is subject to the availability of facilities.

3. Rates And Charges

	<u>Nonrecurring Charge</u>
a. 30 – Day Period (per line)	\$ 50.00
b. 12 – Month Period (per line)	\$ 55.00
c. Renewal Request for 30 – Day or 12 – Month Periods which involve the same telephone number(s) (per line)	\$ 20.00

ISSUED:
July 30, 2004

BY: Richard D. Lawson
State Executive, External Affairs
319 Madison
Jefferson City, MO 65101

EFFECTIVE:
September 1, 2004

P.S.C.MO.-No. 22 Section 18
GENERAL EXCHANGE TARIFF

Embarq Missouri, Inc.
d/b/a CenturyLink

First Revised Page 20
Cancels Original Page 20

MISCELLANEOUS EQUIPMENT AND SERVICES

R. SATISFACTION GUARANTEE PROGRAM

1. General

- a. **A Satisfaction Guarantee Program is available to business customers who subscribe to any of the following qualifying services:**

Individual Business Line PBX Trunk	Key Trunk Centrex
---	------------------------------

- b. **When business customers notify the Telephone Company within thirty (30) days after installation of a qualifying service(s) that they are not satisfied with their service(s) and subsequently request disconnection of that service(s), they are eligible to receive a full credit of all nonrecurring charges directly associated with the establishment of the qualifying service(s) and the monthly charges billed for the service(s) through the date of disconnection.**
- c. **To receive credit, the customer must submit a cancellation notice to the Telephone Company via a web based on-line form within thirty days of the service installation date and at least 5 days before the Telephone Company receives a disconnection request from the customer or the customer's new service provider.**
- d. **When the last day of the thirty-day period falls on a weekend or legal holiday, the customer must submit the web-based cancellation notice no later than the first business day following the weekend or legal holiday, to be eligible for credit.**
- e. **Customers who request disconnection under this program will not be assessed an early termination fee or payment of any minimum service period amounts that would otherwise apply for early disconnection of the service(s).**
- f. **Reimbursements will be issued in the form of a bill credit or check. The customer is responsible for payment of all invoices issued prior to the date of disconnection and for payment of the final invoice rendered by the Telephone Company.**

(C)

(C)

ISSUED:
February 18, 2011

BY: Darlene N. Terry
Manager - Tariffs
5454 West 110th Street
Overland Park, KS 66211

EFFECTIVE:
February 28, 2011

Filed
Missouri Public
Service Commission
JI-2011-0430

GENERAL EXCHANGE TARIFF

EMBARQ MISSOURI, INC
d/b/a EMBARQ

Original Page 20

MISCELLANEOUS EQUIPMENT AND SERVICES

R. SATISFACTION GUARANTEE PROGRAM

1. General

- a. A Satisfaction Guarantee Program is provided for business customers who subscribe to any business service provided under this tariff. Under this program, a customer may cancel service within 90 days of the service installation date without incurring a contractual termination liability or payment of any minimum service period amounts when the customer is not satisfied with the service provided by the Telephone Company. To qualify the customer must submit the cancellation notice to the Telephone Company via a web based on-line form within 90 days of the service installation date and at least 48-hours before the Telephone Company receives a disconnection request from the customer or its new Local Telephone Service Provider.
- b. If the customer had service at the same location from another Local Telephone Service Provider prior to obtaining service from the Telephone Company and returns to that provider, the customer may be eligible for reimbursement of up to \$500 per customer location by the Telephone Company of the installation charges assessed by the provider. To be eligible, the service must be of the same type, level, and under the same contractual period as was provided by that provider immediately prior to obtaining service from the Telephone Company.
- c. All reimbursements will be issued in the form of a check. The customer is responsible for payment of all invoices issued prior to the date of disconnection and for payment of the final invoice rendered by the Telephone Company. Credits against past due invoice amounts will not be issued. The reimbursement check will be issued upon the Telephone Company's receipt of payment of all invoices.

2. Regulations

- a. The customer must provide the Telephone Company with notice of cancellation prior to contacting the former Local Telephone Service Provider to have service re-connected. When re-connecting with a former Local Telephone Service Provider the customer must allow the Telephone Company a maximum of 30 days from the date the customer's cancellation notice is received prior to having the service(s) disconnected.
- b. To receive reimbursement under this program, the customer must submit in writing a completed Satisfaction Guarantee Program reimbursement claim form to the Telephone Company within three months of the customer's service disconnect date. Reimbursements will be processed within 60 business days from the date the Telephone Company receives the reimbursement claim form. The reimbursement claim form must contain the following:
 - (1) Notice that the customer is invoking the Satisfaction Guarantee Program;
 - (2) Identification of prior service(s) that were disconnected by the Telephone Company;
 - (3) Reasons for disconnecting service(s);

ISSUED:
May 5, 2006CANCELLED
February 28, 2011
Missouri Public
Service Commission
JI-2011-0430BY: Chad Eckhart
Vice President – Regulatory Affairs
6450 Sprint Parkway
Overland Park, KS 66251EFFECTIVE:
June 5, 2006**Filed**
Missouri Public
Service Commission

MISCELLANEOUS EQUIPMENT AND SERVICES

R. SATISFACTION GUARANTEE PROGRAM (Cont'd)

2. **Limitations**

- a. **This program is not available to customers who cancel service(s) and replace the service(s) with another service provided by the Telephone Company. This program also is not available to customers for whom installation of the Telephone Company's tariffed services required special construction or special configurations.**
- b. **If the customer who cancels the service(s) provided by the Telephone Company obtains service from a local service provider, the Telephone Company will not reimburse the customer for any installation charges passed on by that provider to establish service.**
- c. **Each customer will be entitled to the credit one time per service.**
- d. **The Satisfaction Guarantee Program only applies to services provided under the regulations and rates specified in this Tariff and does not apply to services offered under a separately negotiated contract.**
- e. **The Telephone Company is not liable for any outage, damages or inconvenience encountered by the customer when switching to an alternative local service provider.**

(C)

(C)

ISSUED:
February 18, 2011

BY: Darlene N. Terry
Manager - Tariffs
5454 West 110th Street
Overland Park, KS 66211

EFFECTIVE:
February 28, 2011

Filed
Missouri Public
Service Commission
JI-2011-0430

GENERAL EXCHANGE TARIFF

EMBARQ MISSOURI, INC
d/b/a EMBARQ

Original Page 21

MISCELLANEOUS EQUIPMENT AND SERVICES

R. SATISFACTION GUARANTEE PROGRAM (Cont'd)

2. Regulations (Cont'd)

b. To receive the reimbursement under this program... (Cont'd)

- (4) Signature of a customer representative requesting the Satisfaction Guarantee Program including telephone number and address;
- (5) A copy of an invoice from the customer's former Local Telephone Service Provider listing the applicable installation charges;
- (6) A copy of the customer's last invoice with the Telephone Company; and
- (7) A copy of the customer's last invoice for services received from the former Local Telephone Service Provider immediately prior to switching to the Telephone Company.

3. Limitations

- a. This program is not available to customers who cancel service(s) and replace the service(s) with another service provided by the Telephone Company. This program also is not available to customers for whom installation of the Telephone Company's tariffed services required special construction or special configurations.
- b. If the customer did not previously have service at the same location to which the service was provided, or if the former Local Telephone Service Provider will not or cannot provide service of the same type, level, and under the same contractual period as previously provided, the Telephone Company will not reimburse the customer for installation charges.
- c. If the customer who cancels the service(s) provided by the Telephone Company obtains service from a Local Telephone Service Provider other than the former Local Telephone Service Provider, the Telephone Company will not reimburse the customer for any installation charges passed on by that provider to establish service.
- d. The reimbursement of installation charges is limited to a maximum of \$500 per customer location for each customer location that qualifies under the program.

4. Liability Limitations

The Telephone Company is not liable for any outage, damages or inconvenience encountered by the customer when switching service back to its former Local Telephone Service Provider.

ISSUED:
May 5, 2006

BY: Chad Eckhart
Vice President – Regulatory Affairs
6450 Sprint Parkway
Overland Park, KS 66251

EFFECTIVE:
June 5, 2006

CANCELLED
February 28, 2011
Missouri Public
Service Commission
JI-2011-0430

Filed
Missouri Public
Service Commission

GENERAL EXCHANGE TARIFF

Embarq Missouri, Inc.
d/b/a CenturyLink

First Revised Page 22
Cancels Original Page 22

(C)

MISCELLANEOUS EQUIPMENT AND SERVICES

S. VOICE BUSINESS CONTINUITY

1. General

- a. Voice Business Continuity allows the subscriber to establish predetermined alternate routing plans for incoming voice traffic. Voice Business Continuity can be used as a disaster recovery service. The alternate routing plan, referred to hereafter as "Routing Plan," is created by the subscriber working with a Company representative when Voice Business Continuity is established. The Routing Plan is then loaded into the central office which serves the customer location, where it remains dormant until activated. This service is available with T1 based voice channel service such as ISDN-PRI II and Digital Trunking Service.
- b. The subscriber must establish a Routing Plan for each location included in the serving arrangement for which traffic is to be rerouted. The Voice Business Continuity subscriber must then contact the Company to activate the Routing Plan(s). This will route traffic to number(s) preselected by the Voice Business Continuity subscriber. In order to restore the original call routing, the subscriber must contact the Company to deactivate the alternate routing plan.
- c. Voice Business Continuity is designed to be a disaster recovery service and is not available for routine call routing such as after hours call forwarding. The Company reserves the right to deny activation if this service is used for non-emergency situations.

2. Definitions

ARRANGEMENT

Consists of one or more Routing Plans that have been identified by the subscriber.

BACKUP NUMBER

The number that calls are rerouted to when the Routing Plan is activated.

REDIRECTED NUMBER

Any subscriber number at the customer location included in the Routing Plan for which incoming calls will be rerouted when the plan is activated.

ROUTING PLAN ⁽¹⁾

(C)

The alternate call routing plan established by the subscriber that can be activated at the subscriber's request. The Routing Plan handles a **maximum** of **five** telephone numbers at one customer location. Additional Routing Plans are required for each additional customer location.

(C)

⁽¹⁾ **Routing Plans provisioned with more than five telephone numbers at one customer location are limited to existing locations, effective January 17, 2010.**

(N)

(N)

ISSUED:
December 18, 2009

BY: Darlene N. Terry
Manager - Tariffs
5454 W. 110th Street
Overland Park, Kansas 66211

EFFECTIVE:
January 17, 2010

GENERAL EXCHANGE TARIFF

Embarq Missouri, Inc.
d/b/a Embarq

Original Page 22

MISCELLANEOUS EQUIPMENT AND SERVICES

S. VOICE BUSINESS CONTINUITY

1. General

- a. Voice Business Continuity allows the subscriber to establish predetermined alternate routing plans for incoming voice traffic. Voice Business Continuity can be used as a disaster recovery service. The alternate routing plan, referred to hereafter as "Routing Plan," is created by the subscriber working with a Company representative when Voice Business Continuity is established. The Routing Plan is then loaded into the central office which serves the customer location, where it remains dormant until activated. This service is available with T1 based voice channel service such as ISDN-PRI II and Digital Trunking Service.
- b. The subscriber must establish a Routing Plan for each location included in the serving arrangement for which traffic is to be rerouted. The Voice Business Continuity subscriber must then contact the Company to activate the Routing Plan(s). This will route traffic to number(s) preselected by the Voice Business Continuity subscriber. In order to restore the original call routing, the subscriber must contact the Company to deactivate the alternate routing plan.
- c. Voice Business Continuity is designed to be a disaster recovery service and is not available for routine call routing such as after hours call forwarding. The Company reserves the right to deny activation if this service is used for non-emergency situations.

2. Definitions

ARRANGEMENT

Consists of one or more Routing Plans that have been identified by the subscriber.

BACKUP NUMBER

The number that calls are rerouted to when the Routing Plan is activated.

REDIRECTED NUMBER

Any subscriber number at the customer location included in the Routing Plan for which incoming calls will be rerouted when the plan is activated.

ROUTING PLAN

The alternate call routing plan established by the subscriber that can be activated at the subscriber's request. The Routing Plan handles any quantity of telephone numbers at one customer location. Additional Routing Plans are required for each additional customer location.

ISSUED:
May 18, 2007

BY: Darlene N. Terry
Manager - Tariffs
5454 W. 110th Street
Overland Park, Kansas 66211

EFFECTIVE:
June 18, 2007

CANCELLED
January 17, 2010
Missouri Public
Service Commission
JI-2010-0400

Filed
Missouri Public
Service Commission

GENERAL EXCHANGE TARIFF

Embarq Missouri, Inc.
d/b/a Embarq

Original Page 23

MISCELLANEOUS EQUIPMENT AND SERVICES

S. VOICE BUSINESS CONTINUITY (Cont'd)

3. Regulations

- a. Voice Business Continuity is available where facilities or arrangements permit. The Company has the right to deny a request due to other operational priorities or the nature of the request.
- b. The Voice Business Continuity subscriber must specify one or more primary points of contact and password which will be used by the Company representative to verify a request to activate, deactivate, or modify a subscriber's Routing Plan.
- c. If the subscriber requests a Routing Plan with three or more Backup Numbers, requests assignment of a Redirected Number with more than one Backup Number, or requires that the Routing Plan handle more than twelve simultaneous calls to the Redirected Number, the Route Complexity Charge will apply. A Route Complexity Charge may also apply for other complex scenarios as identified by the Company. Provisioning of such requests is subject to approval of the Company and acceptance of the subscriber of the additional charge prior to provisioning by the Company.
- d. A subscriber must identify one Backup Number for each Redirected Number in the Routing Plan or one Backup Number for multiple Redirected Numbers in the Routing Plan.
- e. Upon request of the Voice Business Continuity subscriber, the Company will work with the subscriber to test the operation of the Routing Plan after initial establishment. Also upon request by the subscriber, the Company will test normal service before initiating recovery from an activated Routing Plan.
- f. After initial establishment of the Routing Plan the subscriber may change the plan for a given location up to five times per contract year, at no charge. A Plan Update Charge will apply for all subsequent changes. Changes include, but are not limited to, adding or dropping a number or changing a Backup Number(s).
- g. The Voice Business Continuity subscriber is responsible for payment of usage charges (toll, expanded local, or other) for each call routed to a subscriber location not included in the same local calling area as the original subscriber location.
- h. Unless the Voice Business Continuity subscriber identifies a different Interexchange Carrier (IC) for any traffic routed to an out of LATA location, the Routing Plan will use their existing IC.
- i. This service is not eligible for Temporary Suspension of Service (Vacation Service) as specified in Section 34 of this Tariff.

ISSUED:
May 18, 2007

BY: Darlene N. Terry
Manager - Tariffs
5454 W. 110th Street
Overland Park, Kansas 66211

EFFECTIVE:
June 18, 2007

GENERAL EXCHANGE TARIFF

Embarq Missouri, Inc.
d/b/a Embarq

Original Page 24

MISCELLANEOUS EQUIPMENT AND SERVICES

S. VOICE BUSINESS CONTINUITY (Cont'd)

3. Regulations (Cont'd)

- j. Each of the Voice Business Continuity subscriber's Redirected Numbers must reside in a Company central office.
- k. The Voice Business Continuity subscriber is responsible in ensuring that the Backup Number(s) have adequate facilities to support the increase in call volume.
- l. The activated Routing Plan will remain active until the Voice Business Continuity subscriber requests to have original call routing restored.

4. Limitation of Liability

The following provisions apply in addition to the Limitation of Liability provisions specified elsewhere in this Tariff.

- a. Voice Business Continuity is intended to allow a subscriber to reroute incoming calls. It may provide help during some network affecting problems, such as a cut cable between the end office and the subscriber's location by rerouting incoming calls to an alternate location. However, the Company does not guarantee the availability or reliability of Voice Business Continuity in the event of a network affecting disaster. In the event of a network affecting disaster, Voice Business Continuity may function normally, may not function at all, or it may function unpredictably depending on what part of the network is affected and how serious the affect is.
- b. Activation of subscriber plans will be performed on a first come, first served basis. When the subscriber requests that Voice Business Continuity be activated, every effort will be made to activate the service as rapidly as possible. However, the length of the delay between the time that the subscriber requests activation and the time that activation actually occurs depends on a number of factors including the number of other Voice Business Continuity activations being processed when a particular request is received as well as the network load at the time the Voice Business Continuity activation command is received. In the case of an area-wide crisis, if many subscribers call at the same time to request service activation, those calling last may have a considerably longer waiting period for activation to be completed. As a result, no representation is made as to the length of time it will take to implement a particular activation request.

ISSUED:
May 18, 2007

BY: Darlene N. Terry
Manager - Tariffs
5454 W. 110th Street
Overland Park, Kansas 66211

EFFECTIVE:
June 18, 2007

GENERAL EXCHANGE TARIFF

Embarq Missouri, Inc.
d/b/a Embarq

Original Page 25

MISCELLANEOUS EQUIPMENT AND SERVICES

S. VOICE BUSINESS CONTINUITY (Cont'd)

4. Limitation of Liability (Cont'd)

- c. In no event shall the Company, nor its agents, be liable for any losses or damages of any kind resulting from the unavailability of its equipment or facilities or for any act, omission, or failure of performance by the Company, or its employees, or agents, in connection with this Tariff. Neither the Company, nor its agents, shall be responsible for calls that cannot be completed as a result of repair or maintenance difficulties on Company facilities and equipment, nor on equipment owned or leased by the subscriber.
- d. Neither the Company, nor its agents, assume liability for any loss of revenues, increased costs, expenses, liabilities, or inconvenience experienced by the subscriber due to any unsatisfactory performance of Voice Business Continuity. Further, neither the Company, nor its agents, shall assume any liability for consequential, indirect, or incidental damages.

5. Restrictions

A Voice Business Continuity alternate routing number cannot be a subscriber Redirected Number in another active routing plan within the LATA.

6. Rates and Charges

a. Application of Rates

- (1) The Voice Business Continuity Nonrecurring Charge and Monthly Rate apply for each Routing Plan established by the subscriber.

ISSUED:
May 18, 2007

BY: Darlene N. Terry
Manager - Tariffs
5454 W. 110th Street
Overland Park, Kansas 66211

EFFECTIVE:
June 18, 2007

GENERAL EXCHANGE TARIFF

Embarq Missouri, Inc.
d/b/a Embarq

Original Page 26

MISCELLANEOUS EQUIPMENT AND SERVICES

S. VOICE BUSINESS CONTINUITY (Cont'd)

6. Rates and Charges (Cont'd)

a. Application of Rates (Cont'd)

- (2) The Route Complexity Charge may apply as deemed by the Company and is dependent upon the complexity of the Routing Plan. Charges will be communicated to and accepted by the customer prior to establishing the Routing Plan.
- (3) A Voice Business Continuity monthly rate will apply per subscriber location based on the length of customer commitment will be 12, 24, 36, and 60 months. Subscribers who terminate prior to the expiration of the commitment period will incur termination charges. Termination charges will be calculated by multiplying the number of months remaining in the commitment period times 50 percent of the applicable monthly rate for each Routing Plan prematurely disconnected.
- (4) The Plan Update Charge applies for subscriber-initiated changes to a Routing Plan in excess of the five changes allowed per contract year. Also, a subscriber may incur additional charges if requested changes to the Routing Plan warrant a Route Complexity Charge.
- (5) Customers who request activation of a Routing Plan within three business days of establishing the service will incur a Priority Setup Request Charge, although there is no guarantee that the Company will meet the requested date.
- (6) Service Connection Charges as specified in Section 30 of this Tariff will not apply.

ISSUED:
May 18, 2007

BY: Darlene N. Terry
Manager - Tariffs
5454 W. 110th Street
Overland Park, Kansas 66211

EFFECTIVE:
June 18, 2007

P.S.C.MO. No. 22 Section 18
GENERAL EXCHANGE TARIFF

Embarq Missouri, Inc.
d/b/a Embarq

Original Page 27

MISCELLANEOUS EQUIPMENT AND SERVICES

S. VOICE BUSINESS CONTINUITY (Cont'd)

6. Rates and Charges (Cont'd)

b. Rates

(1) Voice Business Continuity, per subscriber location

	Monthly Rate	Nonrecurring Charge
12 month rate	\$65.00	\$500.00
24 month rate	60.00	500.00
36 month rate	50.00	500.00
60 month rate	40.00	500.00

(2) Priority Setup Request Charge

Nonrecurring
Charge
\$300.00

(3) Route Complexity Charge

Nonrecurring
Charge
\$100.00

(4) Plan Update Charge

Nonrecurring
Charge
\$100.00

ISSUED:
May 18, 2007

BY: Darlene N. Terry
Manager - Tariffs
5454 W. 110th Street
Overland Park, Kansas 66211

EFFECTIVE:
June 18, 2007

GENERAL EXCHANGE TARIFF

Embarq Missouri, Inc.
d/b/a Embarq

Original Page 28

MISCELLANEOUS EQUIPMENT AND SERVICES

T. EXTENSION SERVICE

(T)

1. GENERAL

(M) (T)

An extension is an additional station instrument connected to the same circuit as the main station, and having the same telephone number as the main station.

2. CONDITIONS

(T)

a. Extension service may be furnished in connection with all classes and grades of local service except Public Telephone Service and Service Station service.

(T)

b. Mileage charges apply for each on-premise extension service outlet located over 300 feet from the main station, and for all off-premise extension outlets. See the "Explanation of Terms" Section for definition of "Premise" and **Section 17 "Mileage," of this** Tariff.

(T)

(T)

(T)

c. Off-Premise extension service may be furnished at any reasonable location, subject to the following conditions:

(T)

(1) It is provided to Individual Line Service only.

(T)

(2) Business extensions may be located on the premises of another business when each party has its own separate Access Line Service.

(T)

(3) Residence extensions may be located on the Premises of another customer when each has their own Access Line Service.

(T)

(4) Business extensions may be located at residence locations provided there is a separate residence Access Line Service. If a proprietor actually lives in his business establishment, a business extension will be permitted without the requires separate residence Access Line Service.

(T)

(5) If unusual construction of facilities is required, charges may apply in accordance with the "Construction and Installation Charges" section of this tariff.

(T)

(M)

(M) Material now appearing on this page previously appeared in Section 11 on First Revised Page 1.

ISSUED:
October 12, 2007

BY: Darlene N. Terry
Manager - Tariffs
5454 W. 110th Street
Overland Park, KS 66211

EFFECTIVE:
November 11, 2007

GENERAL EXCHANGE TARIFF

Embarq Missouri, Inc.
d/b/a CenturyLink

Original Page 29

MISCELLANEOUS EQUIPMENT AND SERVICES

U. RESIDENCE CUSTOMER REFERRAL PROGRAM

1. Terms and Conditions

- a. Existing residence customers may be eligible for a one-time \$50 bill credit when they submit a referral via the Company's Internet website that results in the establishment of a new customer account for service that includes residential local exchange service. This one-time \$50 bill credit will be applied to the referring customer's account within sixty days after the Company has confirmed that the referred customer has established a new customer account for service that included a residential access line. This bill credit is limited to one bill credit per customer referral and unused credits will roll over to future months. Each customer is limited to a maximum of \$600 in referral credits per calendar year.
- b. New residence customers may be eligible for a \$10 bill credit for six consecutive months. To be eligible, the Company has to confirm that the referred customer has established a new customer account for service that includes residential local exchange service. The \$10 bill credits will be applied to the referred customer's account during each of the referred customer's first six bill cycles with the Company. If the referred customer discontinues the local exchange service prior to the end of the six month period, no additional credits will be applied although the referred customer will not be required to refund the Company for previously acquired bill credits.

ISSUED:
January 20, 2010

BY: Darlene N. Terry
Manager - Tariffs
5454 W. 110th Street
Overland Park, KS 66211

EFFECTIVE:
February 19, 2010

CANCELLED
October 1, 2014
Missouri Public
Service Commission
JI-2015-0081

FILED
Missouri Public
Service Commission
JL-2010-0462

GENERAL EXCHANGE TARIFF

Embarq Missouri, Inc.
d/b/a CenturyLink

Original Page 30

MISCELLANEOUS EQUIPMENT AND SERVICES

V. COMPETITIVE RESPONSE PROGRAMS

1. BUSINESS

a. \$5/\$10 Bill Credit Offer

Existing business customers may be eligible for consecutive bill credits when they contact the Company to inform them that they have received a better priced offer for the same or comparable service(s) from a competitor, or when they contact the Company to disconnect service(s) and agree to retain their service(s) with the Company.

To be eligible, the customer must be subscribed to any business local exchange service and must agree to retain the service(s) for one year after receiving the bill credit. Eligible customers who are subscribed to any local exchange service will receive a \$5.00 per line bill credit for six months when they agree to retain their service(s) for a minimum of twelve additional months, or will receive a \$5.00 per line bill credit for twelve months when they agree to retain their service(s) for a minimum of twenty-four additional months. Customers may receive the credits for a maximum of ten lines.

Eligible customers who are subscribed to any bundled service will receive a \$10.00 bill credit per bundle for six months when they agree to retain their bundled service(s) for a minimum of twelve additional months, or will receive a \$10.00 bill credit per bundle for twelve months when they agree to retain their service(s) for a minimum of twenty-four additional months. Customers may receive the credits for a maximum of ten bundles.

The credits will begin appearing on customer bills the first month bill following the customer's acceptance of this program. The benefits awarded under this program may not be combined with the benefits of other currently available programs or promotions.

If the customer discontinues service(s) prior to the twelve or twenty-four month commitment period, the credits issued under this promotion will be rescinded and charges for the credit amounts will be reflected on the customer's final bill. Customers are also liable for 50% of the remaining monthly recurring charges for the service(s) disconnected.

ISSUED:
July 20, 2011

BY: Darlene N. Terry
Manager - Tariffs
5454 W. 110th Street
Overland Park, KS 66211

EFFECTIVE:
August 19, 2011

GENERAL EXCHANGE TARIFF

UNITED TELEPHONE COMPANY
OF MISSOURI

First Revised Page 1
Cancels Original Page 1

SHARED TENANT SERVICES

A. GENERAL

Shared Tenant Service (STS) is the provision of local exchange access services by the Telephone Company, to the STS customer at an STS building for the purpose of the STS customer reselling or sharing the service with the STS subscribers.

STS equipment must meet state and federal codes with respect to telecommunication equipment. The STS customer must provide access to police, fire, 911 and other emergency services, where available; and must permit access to all Interexchange Carriers.

B. DEFINITIONS

The following definitions apply to the provisioning of STS, in addition to those found in Section 10 of this tariff.

1. Shared Tenant Service (STS) Customer - Any person, corporation or other entity that provides STS within a user group and that is certificated to do so by the Missouri Public Service Commission (PSC).
2. Shared Tenant Service (STS) Subscriber - Any person, corporation or other entity occupying an STS building and is furnished telephone service by the STS customer.
3. Shared Tenant Service (STS) Building - A structure under one roof on one premise, which is wholly located in a single Telephone Company exchange and/or wire center and in which telephone service to STS subscribers is provided by an STS customer. Two or more structures on one premise which are connected by an enclosed or covered passageway are not considered a single STS building. STS may be provided in less than a building but it must be confined to a contiguous premise. Exceptions to this provision must be approved by the Missouri PSC.
4. New Shared Tenant Service (STS) Building - For the purpose of this tariff, a newly constructed building is defined as a building in which the Telephone Company has not previously provided permanent distribution facilities adequate to serve the occupants of the building. The provision of service to contractors during the building's construction is not considered permanent distribution facilities.

ISSUED:
September 8, 1993

BY: Richard D. Lawson
State Executive, External Affairs
319 Madison
Jefferson City, MO 65101

EFFECTIVE:
October 11, 1993

GENERAL EXCHANGE TARIFF

UNITED TELEPHONE COMPANY
OF MISSOURI

Original Page 1

(Reserved for future filings)

RECEIVED

SEP 17 1992

MISSOURI
Public Service Commission

CANCELLED

OCT 11 1993
BY lot R.S #1
Public Service Commission
MISSOURI

FILED

NOV 7 1992

MO. PUBLIC SERVICE COMM.

EFFECTIVE:

~~October 17, 1992~~

NOV 7 1992

ISSUED:
September 17, 1992

BY: John L. Roe
Vice President - Administration
5454 West 110th Street
Overland Park, Kansas 66211

GENERAL EXCHANGE TARIFF

UNITED TELEPHONE COMPANY
OF MISSOURI

Original Page 2

SHARED TENANT SERVICES

C. CONDITIONS

1. STS is provided for the exclusive use of the STS customer, his/her employees and his STS subscribers.
2. The STS customer may only offer STS to the occupants of a single STS building and not members of the general public.
3. Application for STS, and application for changes in the service, must be made by the STS customer. The STS customer is responsible for payment of all charges incurred, whether such charges are associated with services provided for the use of the STS customer or services provided for the use of STS subscribers that are served by the STS arrangement. The STS customer has total responsibility for the administration, control and utilization of the resale and sharing of the service.
4. The STS customer will limit the provision of shared or resold services to a single STS building, unless it obtains a waiver from the Missouri PSC.
5. If the STS customer files an application for certification and/or a waiver of the single building limitations with the Missouri PSC, a copy of the application and/or waiver request(s) must be sent concurrently to the Legal Department of United Telephone - Midwest by the STS customer. The address is 5454 W. 110th Street, Overland Park, KS 66211.
6. The service furnished to the STS customer shall always be classified as a business service for the purpose of the application of tariff rates.
7. The STS customer must utilize a Private Branch Exchange (PBX) which is registered with the Federal Communications Commission (FCC) and riser cable which conforms to all electrical codes and the Telephone Company's technical standards for riser cable or transmission facilities.
8. The STS customer may furnish his services through one or more PBXs but is restricted to the authorized limitations of the STS building as defined by this tariff or under a PSC waiver. If there is more than one PBX, the Telephone Company is required to provide only one point of termination.
9. Riser cable that is installed or acquired by an STS customer or building owner must be the wholly owned property of the STS customer or building owner. It may not be leased or mortgaged by a third party. In addition, an easement in the riser cable shall be given to the Telephone Company at its request.
10. In existing buildings where the Telephone Company has installed the riser cable, the STS customer may either contract for a fee for the use of the Telephone Company's riser cable or install its own.

ISSUED:
September 8, 1993

BY: Richard D. Lawson
State Executive, External Affairs
319 Madison
Jefferson City, MO 65101

EFFECTIVE:
October 11, 1993

GENERAL EXCHANGE TARIFF

UNITED TELEPHONE COMPANY
OF MISSOURI

Original Page 3

SHARED TENANT SERVICES

C. CONDITIONS (Cont'd)

11. Service arrangements furnished to accredited public and private educational institutions which provide telecommunications services to students, faculty members or employees residing in dormitories or other residential quarters owned, leased or under control of the educational institution are not considered to be STS arrangements.
12. To provide service to any customer wanting service directly from the Telephone Company at any STS building, the STS customer or building owner will:
 - a. Provide the Telephone Company without charge immediate and continuing right-to-use of the riser cable and other facilities within the STS building, not owned by the Telephone Company, necessary to serve its customers.
 - b. Provide the Telephone Company with immediate continuing access and use of any existing Telephone Company facilities within the STS building, at no charge to the Telephone Company. Should the STS customer or building owner request the Telephone Company to move, remove or rearrange any of its existing facilities within the STS building, the STS customer or building owner will give the Telephone Company right-of-way to make such moves or rearrangements and they will be charged a rate based on the costs.
 - c. Provide to the Telephone Company additional access and right-of-way, to enable it to place additional facilities within the STS building to serve Telephone Company customers, at no charge to the Company.
13. Where a resale of sharing arrangement is suspected at a location that is not authorized to be Shared Tenant Service, the Telephone Company will notify the Missouri PSC. If the customer fails to seek certification from the Missouri PSC to provide Shared Tenant Service, the Telephone Company shall have the right to terminate such service.
14. A Shared Tenant Service customer is entitled to one business listing in the alphabetical and classified sections of the directory. When requested by the STS customer, additional listings, as specified in Section 9 of this tariff, may be provided for the STS subscribers. Additional listings will be charged at business rates.
15. The Telephone Company will distribute to the STS customer local directories as provided for in Section 25 of this tariff.

ISSUED:
September 8, 1993

BY: Richard D. Lawson
State Executive, External Affairs
319 Madison
Jefferson City, MO 65101

EFFECTIVE:
October 11, 1993

GENERAL EXCHANGE TARIFF

UNITED TELEPHONE COMPANY
OF MISSOURI

Original Page 4

SHARED TENANT SERVICES

C. CONDITIONS (Cont'd)

16. The Telephone Company will terminate its facilities and locate the network interface at an STS building in accordance with existing tariffs and FCC rules and regulations, and will not be responsible for service quality beyond the interconnection (network interface) with the STS customer's equipment.
17. The provision of service to an STS customer for the purpose of resale or sharing shall in no way reduce the rights of the Telephone Company nor impose additional responsibility or liability upon the Telephone Company with respect to suspension or discontinuance of service for reasons of, but not limited to, impairment of service, abandonment, abuse or nonpayment of charges.
18. When a Shared Tenant Service customer is in violation of any of the provisions in this section, the Telephone Company will promptly notify the STS customer of the violation. The STS customer shall correct the violation and shall confirm in writing to the Telephone Company within ten (10) days, following the receipt of written notice, that the violation has been corrected. Failure of the STS customer to correct the violation and to give the required written confirmation to the Telephone Company within the time stated above shall result in suspension of the STS customer's service until such time as the STS customer complies with the provisions of this tariff.
19. The Telephone Company shall have the right to require a deposit from an STS customer in accordance with the regulations specified in Section 1 of this tariff.
20. The Company has the right to refuse to install STS or to permit STS to remain on any premises when the public in general may make use of the STS service.

D. PROVISIONING OF SERVICE

1. Provisioning of STS consists of the serving central office line equipment, all outside plant facilities needed to connect the Telephone Company's serving central office with the STS building and the network interface. These facilities are provided and maintained by the Telephone Company and provide access to and from the telecommunication network for both long distance service and local calling.
2. Charges for service connections, moves, removals and changes apply in addition to any other applicable charges as set forth in this and other Telephone Company tariffs.
3. Charges for rates for directory assistance calls, as provided by the Telephone Company, are set forth in Section 40 of this tariff.

ISSUED:
September 8, 1993

BY: Richard D. Lawson
State Executive, External Affairs
319 Madison
Jefferson City, MO 65101

EFFECTIVE:
October 11, 1993

GENERAL EXCHANGE TARIFF

SPRINT MISSOURI, INC.
d/b/a SPRINT

First Revised Page 5
Cancels Original Page 5
Missouri Public Service Commission

SHARED TENANT SERVICES

REC'D JAN 26 2000

D. PROVISIONING OF SERVICE (Cont'd)

- 4. The STS customer assumes the total and exclusive responsibility for compliance with all rules and regulations governing the use of the service including the use of service by the STS customer's subscribers.
- 5. Customer provided Payphone Line Service Telephones shall access the local exchange telephone network through a separate access line provided directly by the Telephone Company and may not be provided as a station behind a PBX. All other regulations pertaining to Payphone Line Service are included in Section 29. (CT)
- 6. The Telephone Company's responsibility for the provision of exchange service, private line service, data service or other facility type services ends at the point of connection (network interface) to the STS customer's PBX and does not extend to STS subscribers. (CT)
- 7. The STS customer must provide the Telephone Company a written estimate of the type and number of facilities which will be required to service the STS customer's building. In newly constructed buildings, as defined in Paragraph B.4, this estimate must be furnished to the Telephone Company at least 180 days prior to the establishment of the Shared Tenant Service.
- 8. In the event an STS customer requests service in a newly constructed building, as defined in Paragraph B.4, in less than 180 days prior to the requested in-service date, the STS customer will be responsible for the incremental cost of any facilities, in excess of the facilities requested, which the Telephone Company may have already constructed in anticipation of providing service directly to the occupants of the building. Payment of these charges must be received before STS will be provided to the STS customer.

E. RESPONSIBILITY OF THE STS CUSTOMER

In addition to the obligations set forth in Section 25 of this tariff, STS customers shall have the following obligations:

- 1. The STS customer must comply with all applicable federal, state and local laws and regulations concerning the use of telephone service to disabled and/or hearing impaired persons.
- 2. The STS customer will indemnify and hold the Telephone Company harmless for any damage to STS subscribers, the building owner, subsequent tenants and subsequent purchasers of the building resulting from compliance with the STS customer's requests or the terms of this tariff.
- 3. Whenever "notice" is required, the Telephone Company will be responsible to give notice only to the STS customer or its authorized agent. The STS customer will notify its subscribers as necessary.

ISSUED:
January 26, 2000

EFFECTIVE:
BY: Richard D. Lawson
State Executive, External Affairs
319 Madison
Jefferson City, MO 65101

FILED MAR 24 2000

UNITED TELEPHONE COMPANY
OF MISSOURI

GENERAL EXCHANGE TARIFF

Original Page 5

RECEIVED

SHARED TENANT SERVICES

D. PROVISIONING OF SERVICE (Cont'd)

4. The STS customer assumes the total and exclusive responsibility for compliance with all rules and regulations governing the service including the use of service by the STS customer.
5. Customer provided semi-public telephone instruments shall access the local exchange telephone network through a separate access line provided directly by the Telephone Company and may not be provided as a station behind a PBX. All other regulations pertaining to semi-public service are included in Section 29.
6. The Telephone Company's responsibility for the provision of exchange service, private line service, data service or other facility type services ends at the point of connection (network interface) to the STS customer's PBX and does not extend to STS subscribers.
7. The STS customer must provide the Telephone Company a written estimate of the type and number of facilities which will be required to service the STS customer's building. In newly constructed buildings, as defined in Paragraph B.4, this estimate must be furnished to the Telephone Company at least 180 days prior to the establishment of the Shared Tenant Service.
8. In the event an STS customer requests service in a newly constructed building, as defined in Paragraph B.4, in less than 180 days prior to the requested in-service date, the STS customer will be responsible for the incremental cost of any facilities, in excess of the facilities requested, which the Telephone Company may have already constructed in anticipation of providing service directly to the occupants of the building. Payment of these charges must be received before STS will be provided to the STS customer.

SEP 08 1993

MISSOURI
Public Service Commission

E. RESPONSIBILITY OF THE STS CUSTOMER

In addition to the obligations set forth in Section 25 of this tariff, STS customers shall have the following obligations:

1. The STS customer must comply with all applicable federal, state and local laws and regulations concerning the use of telephone service to disabled and/or hearing impaired persons.
2. The STS customer will indemnify and hold the Telephone Company harmless for any damage to STS subscribers, the building owner, subsequent tenants and subsequent purchasers of the building resulting from compliance with the STS customer's requests or the terms of this tariff.
3. Whenever "notice" is required, the Telephone Company will be responsible to give notice only to the STS customer or its authorized agent. The STS customer will notify its subscribers as necessary.

FILED

OCT 11 1993

MISSOURI
Public Service Commission

CANCELLED

MAR 24 2000

157 R.P.5

By
Public Service Commission
MISSOURI

ISSUED:
September 8, 1993

BY: John L. Roe
Vice President - Administration
5454 West 110th Street
Overland Park, Kansas 66211

EFFECTIVE:
October 11, 1993

P.S.C. MO.-No. 22 Section 19
GENERAL EXCHANGE TARIFF

UNITED TELEPHONE COMPANY
OF MISSOURI

Original Page 6

SHARED TENANT SERVICES

E. RESPONSIBILITY OF THE STS CUSTOMER (Cont'd)

4. The STS customer will be solely responsible for referral of calls for a reasonable period of time in the event an STS subscriber relocates outside the STS building or obtains telephone service from the Telephone Company or others.
5. The STS customer must use only riser cable that meets the Telephone Company's technical standards for riser cable or transmission facilities. The Telephone Company has the right to inspect the riser cable before the connection of service to the STS customer, to verify that the Telephone Company's technical standards have been met. In disputed cases concerning whether the STS customer's riser cable does or does not meet the Telephone Company's technical standards, the PSC Staff shall have the power to require the STS customer to comply with these standards.
6. The STS customer is responsible for payment of all charges billed, including long distance and private line charges, associated with this service. The applicable Rules and Regulations, regarding bill payments and suspensions are included in Section 25 of this tariff. In the event the STS customer receives notice from the Telephone Company of pending service suspension, the STS customer will have sole responsibility to notify its STS subscribers at least two (2) days prior to the date of the pending suspension.
7. The STS customer is responsible for any allocation, proration or distribution of any charge billed to him/her by the Telephone Company.
8. All trouble reports are to be directed to the Telephone Company by the STS customer.
9. In the event an STS customer intends to discontinue the provision of resold and/or shared local exchange service to its STS building, the STS customer must provide both the Telephone Company and all STS subscribers written notice of its intended discontinuance at least 180 days prior to the proposed discontinuance.
10. The STS customer shall provide to the Telephone Company the number of access lines and types of service provided, and the location of the STS subscribers they serve.
11. In an existing building which is converted to STS, the STS customer must notify in writing, 90 days prior to the establishment of STS, any existing Telephone Company customers that they may continue to receive service from the Telephone Company. A copy of the notice should be provided to the Telephone Company, at the address listed in Paragraph C.5 of this tariff.

ISSUED:
September 8, 1993

BY: Richard D. Lawson
State Executive, External Affairs
319 Madison
Jefferson City, MO 65101

EFFECTIVE:
October 11, 1993

GENERAL EXCHANGE TARIFF

UNITED TELEPHONE COMPANY
OF MISSOURI

Original Page 7

SHARED TENANT SERVICES

E. RESPONSIBILITY OF THE STS CUSTOMER (Cont'd)

12. The Shared Tenant Service customer shall notify its STS subscribers in writing, that they have no right to retain any telephone number associated with the service, and that if any STS subscriber ceases utilization of the STS customer's service, that subscriber will not be permitted to retain the same telephone number.

F. RATES

1. Rates for STS are the same as the trunk rates specified in Section 16 of the General Exchange Tariff.
2. Rates for services other than STS are those as specified in the appropriate tariffs of the Telephone Company.

ISSUED:
September 8, 1993

BY: Richard D. Lawson
State Executive, External Affairs
319 Madison
Jefferson City, MO 65101

EFFECTIVE:
October 11, 1993

ASYNCHRONOUS TRANSFER MODE (ATM) SERVICE

(N)

I. DESCRIPTION

- A. Asynchronous Transfer Mode (ATM) Service is a connection-oriented fast packet local, intraLATA, and intrastate interLATA network service that permits the transmission of high speed data, voice, and video traffic utilizing cell switching technology. ATM is offered for local, intraLATA and intrastate interLATA use where Telephone Company facilities exist. ATM cells are fixed length cells that provide symmetrical or asymmetrical duplex transmissions. Utilizing statistical multiplexing, ATM Service enables customers to allocate circuit bandwidth to applications as needed on virtual paths or channels. ATM Service allows multiple communications applications to be transmitted within multiple paths or channels utilizing common fiber optic or copper facilities. ATM Service is primarily designed for businesses with multiple locations requiring the transport of data, voice, or video traffic among the sites. ATM Service allows for the interconnection of Customer Premises Equipment (CPE) that is ATM compatible.**
- B. Permanent Virtual Circuits (PVCs) are logical channels between the customer's premises and ports on an ATM switch or between ATM switches. PVCs are duplex channels that are established via the service order process. Separate PVCs must be established to each customer location at which the customer desires ATM Service. PVC channels are virtual channels that are established in software tables. Multiple PVCs can be defined over a single ATM User Network Interface (UNI), thereby providing a single access line with the capability to transmit data, voice, and video to multiple destinations simultaneously. A PVC can be set up as either a Virtual Path (VP) or a Virtual Channel (VC) type connection. A VP may contain multiple VCs, referred to as tunneling. Tunneling allows customers to establish VCs or end to end connections between the customer CPE, via VPs.**
- C. ATM Service requires the use of CPE that functions as a multiplexer, aggregator, concentrator, or router. This CPE must be purchased separately from the ATM Service and must conform to the Consultative Committee for International Telecommunication Union (ITU) Standards, ATM Forum Standards, and Telephone Company ATM CPE standards. Only Telephone Company standardized equipment may be connected to the ATM network. The CPE functions to accumulate customer data and transfers it into an ATM format suitable for transmission over the ATM Network.**
- D. In the operation of ATM, the CPE captures arriving data into fixed-length ATM 53-byte cells. These cells contain a 48-byte cell user information segment, and a five-byte header containing a Virtual Path Identifier (VPI) and a Virtual Channel Identifier (VCI), identifying which PVC in the network should be used to forward the cell to the proper destination. The CPE sends the cells into the ATM Network over a dedicated access facility called an ATM Access Line that includes a UNI, which is a port on the ATM switch. The ATM switch, usually located in the Telephone Company central office, reads identifying header information and routes the cell to the proper destination based on a pre-established PVC, over a VP and/or VC.**

(N)

ISSUED:
June 25, 2001

BY: Richard D. Lawson
State Executive, External Affairs
319 Madison
Jefferson City, MO 65101

EFFECTIVE:
July 25, 2001

GENERAL EXCHANGE TARIFF

UNITED TELEPHONE COMPANY
OF MISSOURI

Original Page 1

(Reserved for future filings)

RECEIVED

SEP 17 1992

MISSOURI
Public Service Commission

CANCELLED

JUL 25 2001

By JST RPI

Public Service Commission
MISSOURI

FILED

NOV 7 1992

MO. PUBLIC SERVICE COMM.

EFFECTIVE:

~~October 17, 1992~~

NOV 7 1992

ISSUED:
September 17, 1992

BY: John L. Roe
Vice President - Administration
5454 West 110th Street
Overland Park, Kansas 66211

ASYNCHRONOUS TRANSFER MODE (ATM) SERVICE

I. DESCRIPTION (Cont'd)

- E. ATM Service is capable of handling the requirements of bursty data sources because of the ability of the service to allocate additional bandwidth when not in use by other sources. ATM Service can also transmit delay sensitive traffic such as voice and video, on the same physical circuit, but with different Quality of Service (QoS) on separate PVCs, within the same physical circuit.
- F. ATM Service is provided to the customer in the form of an ATM Access Line (a physical line, either fiber or copper) from the Customer Designated Location (CDL), an ATM UNI port on the ATM switch, and the ATM network bandwidth via a PVC or multiple PVCs. The ATM UNI port access options available are: DS1, 2xDS1, 4xDS1, 6xDS1, DS3, and OC3. OC3 service is available at tariff rates only from serving central offices that have an ATM switch. OC3 service is available at Individual Case Basis (ICB) rates from serving central offices that do not have an ATM switch. Information Rate (IR) or equivalent bandwidth in the network required to support Quality of Service parameters, for PVCs is available in bands ranging from 56 Kbps/64 Kbps up to 155 Mbps.
- G. The actual equivalent bandwidth or IR for aggregated PVC bandwidths cannot exceed the port speed, or the port line transfer rate. The customer must specify a category of service (or Quality of Service, "QoS") for each PVC to be connected to the ATM network. The QoS category defines the performance parameters for each connection to meet specific networking requirements. The Telephone Company provides three categories of service:
1. Constant Bit Rate (CBR), for delay or timing sensitive traffic such as voice or interactive video, provides a constant data rate and consistent delay parameters throughout the ATM network. CBR PVCs are given the highest priority in the ATM network, and are provisioned to provide the minimum Cell Delay Variation (CDV) or "jitter". The Peak Cell Rate (PCR), which is the highest transmission rate the logical connection will allow, must be specified by the customer.
 2. Variable Bit Rate (VBR-nrt), a non-real time service designed for bursty data applications that provides a pre-assigned variable bit rate. VBR-nrt requires two traffic parameters: (1) PCR, which defines the maximum rate of transmission, and (2) Sustained Cell Rate (SCR), which provides an average information rate expected on the connection. Customers must specify the SCR for VBR-nrt ATM Service. Oversubscription is allowed with VBR.
 3. Unspecified Bit Rate (UBR), takes advantage of excess network bandwidth and is best suited for communication applications where timing of delivered data is not critical. UBR is well suited to Internet protocol LAN traffic, which has inherent reliability, and can tolerate occasional cell discarding. PCR and SCR values are not used with UBR. An advantage of UBR is that ATM cells can be transmitted up to the port line rate, if available, rather than being limited to a predefined maximum PCR, as with VBR and CBR. However, a minimum level of bandwidth is not guaranteed. UBR PVCs must be ordered at the same transmission speed as the port with which it is associated.

ISSUED:
June 25, 2001

BY: Richard D. Lawson
State Executive, External Affairs
319 Madison
Jefferson City, MO 65101

EFFECTIVE:
July 25, 2001

GENERAL EXCHANGE TARIFF

Embarq Missouri, Inc.
d/b/a Embarq

First Revised Page 3
Cancels Original Page 3

ASYNCHRONOUS TRANSFER MODE (ATM) SERVICE

I. DESCRIPTION (Cont'd)

- H. Since multiple PVCs may be defined on one physical port, it is possible for the cumulative data IRs of multiple PVCs to exceed the physical bandwidth of the port. This is referred to as oversubscription, and when this occurs there will be no guarantee that the IR defined for the port and PVC will be available at any point in time.
- I. IRs are traffic management parameters that allow the customer to fine tune implementation of ATM Service. The IRs of PVCs can be customer specified and can be ordered in increments of bandwidth. IRs can be used on CBR and VBR-nrt PVCs only. IRs for UBR are by definition not used, and IRs can be up to the line rate or the UNI port transfer rate. UBR uses available network bandwidth and is a "best effort" service; therefore there are no guarantees with the delivery of UBR traffic. An IR is assigned to each PVC symmetrically (two-way).
- J. For CBR PVCs, the customer may specify IRs in terms of PCR. The maximum PCR for a CBR PVC is limited to 99% of the port transfer rate. When CBR traffic is mixed with VBR-nrt and UBR on the same port, the sum of all the PCRs associated with the CBR PVCs must not exceed 50% of the maximum IR of the ATM port. The PCR should never exceed the PCR available at the lowest port access between the local and remote locations. For VBR PVCs, the value of the SCR for ATM traffic may be defined between 20%-70% of the PCR. The user can burst above the PCR for short periods only. The limit for VBR-nrt transmission at the PCR is 250 cells. This limit is called the Maximum Burst Size (MBS). If the MBS is exceeded, a period of lower activity must follow to meet the SCR. UBR traffic IRs are not specified and use only available network bandwidth and may burst up to the line rate.

II. DEFINITIONS

- A. ATM Access Line (ATM-AL) - Provides access to the ATM Network. An ATM Access Line includes both the physical dedicated local loop and a UNI port on the ATM switch.
- B. ATM Class of Service – Refers to service categories defined by the ATM Forum which define the traffic parameters for each PVC. These categories, CBR, VBR, and UBR and their related parameters, partially define the traffic between the Telephone Company and the customer for each PVC.
- C. ATM Network Link (ATM-NL) – ATM Network Links are used to physically connect the Telephone Company ATM network with the ATM network of any adjacent Local Exchange Carrier. ATM Network Links are offered in the same port speeds as the ATM Access Lines.
- D. ATM Port - A port on the ATM network that is used to interconnect other Telephone Company provided private line services such as **TransLink**, a digital cross connect system port to ATM or an ICB contract transport solution. The ATM Port is the physical entry point for PVCs. Ports include the electronic equipment used in connecting these service elements to the ATM Network and enable customers to allocate bandwidth to applications as needed. (T)
- E. ATM Service Network Serving Area – Area encompassing certain serving area points. Serving area points are those Telephone Company central offices designated for the ATM Network.

ISSUED:
September 8, 2006

BY: Darlene N. Terry
Manager - Tariffs
5454 W. 110th Street
Overland Park, KS 66211

EFFECTIVE:
~~October 8, 2006~~
October 13, 2006

ASYNCHRONOUS TRANSFER MODE (ATM) SERVICE

I. DESCRIPTION (Cont'd)

- H. Since multiple PVCs may be defined on one physical port, it is possible for the cumulative data IRs of multiple PVCs to exceed the physical bandwidth of the port. This is referred to as oversubscription, and when this occurs there will be no guarantee that the IR defined for the port and PVC will be available at any point in time.
- I. IRs are traffic management parameters that allow the customer to fine tune implementation of ATM Service. The IRs of PVCs can be customer specified and can be ordered in increments of bandwidth. IRs can be used on CBR and VBR-nrt PVCs only. IRs for UBR are by definition not used, and IRs can be up to the line rate or the UNI port transfer rate. UBR uses available network bandwidth and is a "best effort" service; therefore there are no guarantees with the delivery of UBR traffic. An IR is assigned to each PVC symmetrically (two-way).
- J. For CBR PVCs, the customer may specify IRs in terms of PCR. The maximum PCR for a CBR PVC is limited to 99% of the port transfer rate. When CBR traffic is mixed with VBR-nrt and UBR on the same port, the sum of all the PCRs associated with the CBR PVCs must not exceed 50% of the maximum IR of the ATM port. The PCR should never exceed the PCR available at the lowest port access between the local and remote locations. For VBR PVCs, the value of the SCR for ATM traffic may be defined between 20%-70% of the PCR. The user can burst above the PCR for short periods only. The limit for VBR-nrt transmission at the PCR is 250 cells. This limit is called the Maximum Burst Size (MBS). If the MBS is exceeded, a period of lower activity must follow to meet the SCR. UBR traffic IRs are not specified and use only available network bandwidth and may burst up to the line rate.

II. DEFINITIONS

- A. ATM Access Line (ATM-AL) - Provides access to the ATM Network. An ATM Access Line includes both the physical dedicated local loop and a UNI port on the ATM switch.
- B. ATM Class of Service – Refers to service categories defined by the ATM Forum which define the traffic parameters for each PVC. These categories, CBR, VBR, and UBR and their related parameters, partially define the traffic between the Telephone Company and the customer for each PVC.
- C. ATM Network Link (ATM-NL) – ATM Network Links are used to physically connect the Telephone Company ATM network with the ATM network of any adjacent Local Exchange Carrier. ATM Network Links are offered in the same port speeds as the ATM Access Lines.
- D. ATM Port - A port on the ATM network that is used to interconnect other Telephone Company provided private line services such as TransLink®, a digital cross connect system port to ATM or an ICB contract transport solution. The ATM Port is the physical entry point for PVCs. Ports include the electronic equipment used in connecting these service elements to the ATM Network and enable customers to allocate bandwidth to applications as needed.
- E. ATM Service Network Serving Area – Area encompassing certain serving area points. Serving area points are those Telephone Company central offices designated for the ATM Network.

ISSUED:
June 25, 2001

BY: Richard D. Lawson
State Executive, External Affairs
319 Madison
Jefferson City, MO 65101

EFFECTIVE:
July 25, 2001

Cancelled

October 13, 2006
Missouri Public
Service Commission

Filed

Missouri Public
Service Commission

ASYNCHRONOUS TRANSFER MODE (ATM) SERVICE

II. DEFINITIONS (Cont'd)

- F. Cell – A unit of transmission in ATM that is a fixed size frame consisting of a 5-byte header and a 48-byte information payload.
- G. Customer Designated Location (CDL) - The geographic location designated by the customer where the customer's CPE is first considered to enter the Telephone Company's network.
- H. Early Packet Discard (EPD)– The procedure for discarding cells related to a frame or packet to minimize the impact of congestion in the ATM network. This discarding technique with Partial Packet Discard (PPD) minimizes the amount of packets that must be retransmitted during congestion. EPD is for UBR traffic only.
- I. Frame Relay Service (FRS) – A fast packet network that provides the customer high-speed access and through-put to different customer addresses. Utilizing statistical multiplexing, the frame relay network enables the customer to allocate bandwidth to applications as needed, rather than dedicating fixed channels to specific applications. Frame Relay is primarily used in applications requiring short, intensive bursts of data at high speeds. Frame Relay operates at access speeds of 56/64 Kbps, 128 Kbps, 256 Kbps, 384 Kbps, 512 Kbps, DS1 (1.544 Mbps), or DS3 (44.736 Mbps).
- J. Gateway Service – Allows the Telephone Company ATM customers to interconnect to another ATM or Frame Relay Network. The service is available wherever the Telephone Company has established a network interface with another private or public ATM or Frame Relay network. Gateway Service is only available where such network connectivity exists or where suitable connectivity arrangements can be made that are acceptable to the Telephone Company.
- K. Individual Case Basis (ICB) - Process by which non-tariffed products and services can be provided to the customer.
- L. Information Rate (IR) – Defines the amount of equivalent bandwidth in the network required to support Quality of Service parameters. IR is administered per PVC, on a VP or VC basis. Any data burst beyond the IR may be labeled Discard Eligible (DE) if the data transfer rate exceeds the PCR of the PVC being used. If the ATM network develops congestion, the Early Packet Discard (EPD) and Partial Packet Discard (PPD) cell buffering techniques will be implemented in Telephone Company ATM switches. At service subscription, the customer must specify the PCR, SCR and MBS associated with each PVC. The retransmission of discarded cells is administered by the customer's CPE.

The Information Rate consists of the three QoS levels (CBR, VBR-nrt or UBR) previously described in Section 20.I.G. These levels of service provide the flexibility necessary to service all applications successfully. The customer is responsible for selecting the level of QoS.

- M. Local Access and Transport Area (LATA) - Denotes a geographic area established for the provision and administration of communications service. It encompasses one or more designated exchanges that are grouped to serve common social, economic, and other purposes.

ISSUED:
June 25, 2001

BY: Richard D. Lawson
State Executive, External Affairs
319 Madison
Jefferson City, MO 65101

EFFECTIVE:
July 25, 2001

ASYNCHRONOUS TRANSFER MODE (ATM) SERVICE

II. DEFINITIONS (Cont'd)

- N. Local Area Network (LAN) – A local network permitting the interconnection and intercommunication of a group of computers, primarily for the sharing of resources such as data storage devices and printers.
- O. Logical Channel – A communications channel that allows two-way, simultaneous transmission of sequenced data packets through the network. No circuit capacity is preassigned to a logical channel. Capacity is made available as the data is transmitted. Each PVC is considered one logical channel or one virtual channel.
- P. Maximum Burst Size (MBS) - Denotes the maximum number of consecutive cells that may be transmitted to the Telephone Company ATM network in a single burst at a rate that exceeds the SCR, but does not exceed the PCR, assigned to the VBR connection. MBS is a traffic parameter considered only for VBR traffic. Cells exceeding the MBS will be declared as non-conforming and will be buffered or discarded, depending on the level of congestion.
- Q. Permanent Virtual Circuit (PVC) - Provides software-defined electronic path between two ports within the ATM Network. Each UNI requires the purchase of at least one PVC. A UNI or UNI Port connection can be associated with multiple PVCs. Since all PVCs need not be in use at the same time, it is possible for the total IR of all PVCs associated with one port to exceed the bandwidth of the port. It is not possible, however, for the simultaneous aggregation of the PVCs equivalent bandwidth to exceed the bandwidth of the port. Such a relationship is referred to as oversubscription or overbooking. When oversubscription occurs, there is no guarantee that the bandwidth defined for a VBR-nrt or UBR PVC will be available at any point in time. CBR PVC bandwidth is always guaranteed in oversubscription situations.
- R. Protocol - A specific set of rules, procedures or conventions relating to format and timing of data transmission. It is a standard procedure that multiple data devices must accept and use in order to communicate with each other. Protocols break a file into parts called blocks or packets. When blocks or packets are sent, the receiving computer checks the arriving packets and sends an acknowledgment back to the sending computer.
- S. Route Diversity - A separate and diverse physical route from the customer premises to the Telephone Company Serving Central Office. This includes a separate fiber optic pair assignment in two different and distinct fiber optic cables.
- T. Serving Central Office (SCO) - The Telephone Company central office from which the customer normally receives dial tone. The customer's SCO may or may not have an ATM switch. Each SCO without an ATM switch will connect to an SCO with an ATM switch.
- U. Statistical Multiplexing – A multiplexing technique in which timeslots are dynamically allocated on the basis of need rather than being predetermined. The data is typically transmitted on a first come, first served basis.

ISSUED:
June 25, 2001

BY: Richard D. Lawson
State Executive, External Affairs
319 Madison
Jefferson City, MO 65101

EFFECTIVE:
July 25, 2001

GENERAL EXCHANGE TARIFF

Embarq Missouri, Inc.
d/b/a Embarq

First Revised Page 6
Cancels Original Page 6

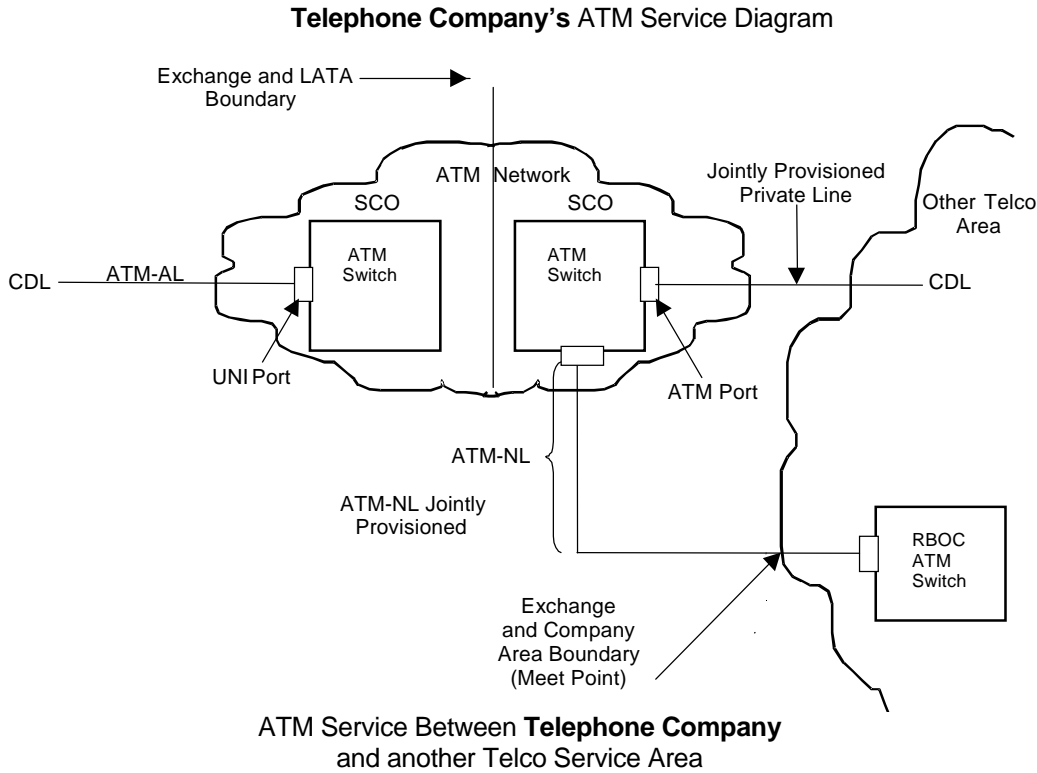
ASYNCHRONOUS TRANSFER MODE (ATM) SERVICE

II. DEFINITIONS (Cont'd)

- V. UNI Port– A port on the Telephone Company ATM switch that is used to connect to the access line. The UNI port is the physical entry point for access to PVCs. The UNI port is on the line side or customer side of the ATM switch. UNI ports include the Telephone Company ATM switching equipment used in connecting these service elements to the ATM Network and enable customers to allocate bandwidth to applications as needed.

- W. User to Network Interface (UNI) – A standard interface used to connect the end user to the Telephone Company ATM switch. It receives data cells from the customer’s LAN or other CPE devices and verifies that the data is in a valid ATM format before relaying the ATM cells to the destination point.

The following diagram illustrates some of the above mentioned terms:



Legend

- ATM-AL ATM Access Line (includes UNI Port)
- ATM-NL ATM Network Link
- ATM-Port Facilities not included
- CDL Customer Designated Location
- SCO Serving Central Office
- UNI Port Intracompany Provisioned User to Network Interface

ISSUED:
September 8, 2006

BY: Darlene N. Terry
Manager - Tariffs
5454 W. 110th Street
Overland Park, KS 66211

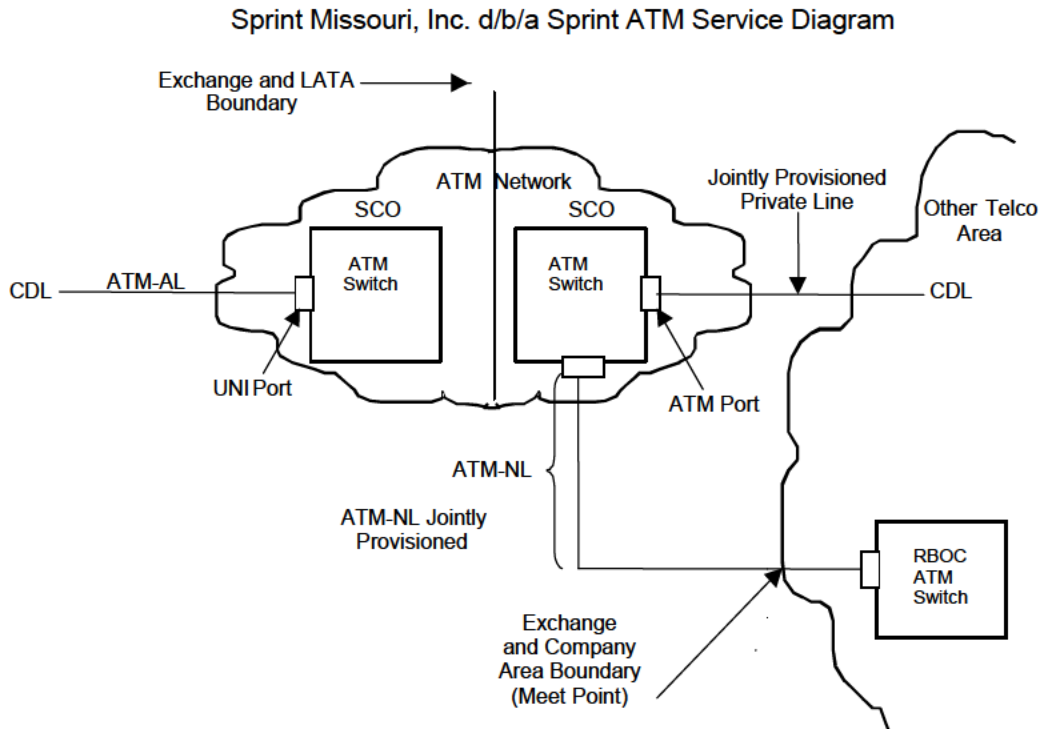
EFFECTIVE:
~~October 8, 2006~~
October 13, 2006

ASYNCHRONOUS TRANSFER MODE (ATM) SERVICE

II. DEFINITIONS (Cont'd)

- V. UNI Port— A port on the Telephone Company ATM switch that is used to connect to the access line. The UNI port is the physical entry point for access to PVCs. The UNI port is on the line side or customer side of the ATM switch. UNI ports include the Telephone Company ATM switching equipment used in connecting these service elements to the ATM Network and enable customers to allocate bandwidth to applications as needed.
- W. User to Network Interface (UNI) – A standard interface used to connect the end user to the Telephone Company ATM switch. It receives data cells from the customer's LAN or other CPE devices and verifies that the data is in a valid ATM format before relaying the ATM cells to the destination point.

The following diagram illustrates some of the above mentioned terms:



ATM Service Between Sprint Missouri, Inc. d/b/a Sprint
and another Telco Service Area

Legend

ATM-AL	ATM Access Line (includes UNI Port)
ATM-NL	ATM Network Link
ATM-Port	Facilities not included
CDL	Customer Designated Location
SCO	Serving Central Office
UNI Port	Intracompany Provisioned User to Network Interface

ISSUED:
June 25, 2001

BY: Richard D. Lawson
State Executive, External Affairs
319 Madison
Jefferson City, MO 65101

EFFECTIVE:
July 25, 2001

GENERAL EXCHANGE TARIFF

Embarq Missouri, Inc.
d/b/a CenturyLink

Second Revised Page 7
Cancels First Revised Page 7

(C)

ASYNCHRONOUS TRANSFER MODE (ATM) SERVICE

III. GENERAL REGULATIONS

- A. ATM Service is provided to the customer in two forms. The first is ATM Access Line and PVC at a specified IR. The ATM Access Line includes the UNI port. The second is a digital private line transport facility, an ATM access port, otherwise known as a UNI, and a PVC at a specified IR. A PVC must be ordered for transmission between any two locations.
- B. ATM Service is provided subject to the availability of appropriate facilities.
- C. The minimum service period for ATM Service is six months. ATM Service may be ordered for an initial six-month term or through a Term Discount Plan for fixed periods of up to 84 months.
- D. When the customer orders additional PVCs, nonrecurring charges will apply. In addition, Administrative Charges will apply to all changes made to a customer's ATM configuration at the customer's request.
- E. The ATM access services not covered by this tariff will be ordered from the Telephone Company's Private Line Services and Channels Tariff, the **Company's Intrastate Access Service Tariff**, or the **CenturyLink Operating Companies Tariff F.C.C. No. 9**, or through an Individual Case Basis (ICB) contract. (T)
(T)
- F. Construction and Installation Charges, as defined in Section 8 of this tariff, may apply when technical limitations and/or the lack of facilities exist, or if it is necessary to construct facilities to satisfy service requests.
- G. Whenever facilities are provided jointly by the Telephone Company and one or more other telephone companies, the regulations, rates and charges of such other telephone companies apply for the equipment and facilities furnished by them for use in connection with the interexchange ATM Service provided by the Telephone Company.
- H. Where private line, Frame Relay Service, or ATM Service is required to interconnect to the Telephone Company's ATM Service for a customer having locations outside of the Telephone Company service area, such service will be furnished only if satisfactory arrangements can be made with the other local or inter-exchange carrier.
- I. Suspension of Service at the customer's request, as defined in Section 34 of this tariff, is not allowed for ATM Service.
- J. The customer is responsible for payment of a Trouble Isolation Charge, as defined in Section 18 of this tariff, for visits by the Telephone Company to the customer premises when a service difficulty resulting in a trouble report is caused by the use of equipment or facilities provided by the customer.

ISSUED:
April 1, 2013

BY: Darlene N. Terry
Manager - Tariffs
5454 W. 110th Street
Overland Park, KS 66211

EFFECTIVE:
May 1, 2013

MO 13-04

GENERAL EXCHANGE TARIFF

Embarq Missouri, Inc.
d/b/a Embarq

First Revised Page 7
Cancels Original Page 7

ASYNCHRONOUS TRANSFER MODE (ATM) SERVICE

III. GENERAL REGULATIONS

- A. ATM Service is provided to the customer in two forms. The first is ATM Access Line and PVC at a specified IR. The ATM Access Line includes the UNI port. The second is a digital private line transport facility, an ATM access port, otherwise known as a UNI, and a PVC at a specified IR. A PVC must be ordered for transmission between any two locations.
- B. ATM Service is provided subject to the availability of appropriate facilities.
- C. The minimum service period for ATM Service is six months. ATM Service may be ordered for an initial six-month term or through a Term Discount Plan for fixed periods of up to 84 months.
- D. When the customer orders additional PVCs, nonrecurring charges will apply. In addition, Administrative Charges will apply to all changes made to a customer's ATM configuration at the customer's request.
- E. The ATM access services not covered by this tariff will be ordered from the Telephone Company's Private Line Services and Channels Tariff, the **Company's P.S.C. Mo. No. 26** Access Service Tariff, or the **Embarq Local Operating Company's** F.C.C. No. 1 Tariff, or through an Individual Case Basis (ICB) contract. (T)
(C)
- F. Construction and Installation Charges, as defined in Section 8 of this tariff, may apply when technical limitations and/or the lack of facilities exist, or if it is necessary to construct facilities to satisfy service requests.
- G. Whenever facilities are provided jointly by the Telephone Company and one or more other telephone companies, the regulations, rates and charges of such other telephone companies apply for the equipment and facilities furnished by them for use in connection with the interexchange ATM Service provided by the Telephone Company.
- H. Where private line, Frame Relay Service, or ATM Service is required to interconnect to the Telephone Company's ATM Service for a customer having locations outside of the Telephone Company service area, such service will be furnished only if satisfactory arrangements can be made with the other local or inter-exchange carrier.
- I. Suspension of Service at the customer's request, as defined in Section 34 of this tariff, is not allowed for ATM Service.
- J. The customer is responsible for payment of a Trouble Isolation Charge, as defined in Section 18 of this tariff, for visits by the Telephone Company to the customer premises when a service difficulty resulting in a trouble report is caused by the use of equipment or facilities provided by the customer.

ISSUED:
September 8, 2006

BY: Darlene N. Terry
Manager - Tariffs
5454 W. 110th Street
Overland Park, KS 66211

EFFECTIVE:
~~October 8, 2006~~
October 13, 2006

CANCELLED
May 1, 2013
Missouri Public
Service Commission
JI-2013-0423

Filed
Missouri Public
Service Commission

ASYNCHRONOUS TRANSFER MODE (ATM) SERVICE

III. GENERAL REGULATIONS

- A. ATM Service is provided to the customer in two forms. The first is ATM Access Line and PVC at a specified IR. The ATM Access Line includes the UNI port. The second is a digital private line transport facility, an ATM access port, otherwise known as a UNI, and a PVC at a specified IR. A PVC must be ordered for transmission between any two locations.
- B. ATM Service is provided subject to the availability of appropriate facilities.
- C. The minimum service period for ATM Service is six months. ATM Service may be ordered for an initial six-month term or through a Term Discount Plan for fixed periods of up to 84 months.
- D. When the customer orders additional PVCs, nonrecurring charges will apply. In addition, Administrative Charges will apply to all changes made to a customer's ATM configuration at the customer's request.
- E. The ATM access services not covered by this tariff will be ordered from the Telephone Company's Private Line Services and Channels Tariff, the Sprint Intrastate Access Service Tariff, or the Sprint Local Telephone Company's F.C.C. No. 3 Tariff, or through an Individual Case Basis (ICB) contract.
- F. Construction and Installation Charges, as defined in Section 8 of this tariff, may apply when technical limitations and/or the lack of facilities exist, or if it is necessary to construct facilities to satisfy service requests.
- G. Whenever facilities are provided jointly by the Telephone Company and one or more other telephone companies, the regulations, rates and charges of such other telephone companies apply for the equipment and facilities furnished by them for use in connection with the interexchange ATM Service provided by the Telephone Company.
- H. Where private line, Frame Relay Service, or ATM Service is required to interconnect to the Telephone Company's ATM Service for a customer having locations outside of the Telephone Company service area, such service will be furnished only if satisfactory arrangements can be made with the other local or inter-exchange carrier.
- I. Suspension of Service at the customer's request, as defined in Section 34 of this tariff, is not allowed for ATM Service.
- J. The customer is responsible for payment of a Trouble Isolation Charge, as defined in Section 18 of this tariff, for visits by the Telephone Company to the customer premises when a service difficulty resulting in a trouble report is caused by the use of equipment or facilities provided by the customer.

ISSUED:
June 25, 2001

BY: Richard D. Lawson
State Executive, External Affairs
319 Madison
Jefferson City, MO 65101

EFFECTIVE:
July 25, 2001

Cancelled

October 13, 2006
Missouri Public
Service Commission

Filed

Missouri Public
Service Commission

ASYNCHRONOUS TRANSFER MODE (ATM) SERVICE

III. GENERAL REGULATIONS (Cont'd)

- K. DS1 and NxDS1 ATM Service is not offered as a survivable service unless an alternate route is constructed. DS1 and NxDS1 diverse route service is not included in the rates and charges specified in Section 20.VIII following and is subject to Construction and Installation Charges, as defined in Section 8 of this tariff, as well as any monthly rates charged under an ICB. DS3 and OC3 ATM Service does not include SONET Ring protection nor diverse route service. These services may be subject to Construction and Installation Charges, as defined in Section 8 of this tariff, as well as any monthly rates charged under an ICB.

IV. OBLIGATIONS OF THE TELEPHONE COMPANY

- A. The responsibility of the Telephone Company is limited to furnishing network equipment suitable for ATM Service and to the maintenance and operation of such equipment in a manner proper for such service. Subject to this responsibility, the Telephone Company is not responsible for the through transmission of signals generated by the CPE or systems, or for the quality of, or defects in, such transmission or the reception of signals by such equipment or systems.
- B. The Telephone Company is not responsible for installation, operation or maintenance of any terminal equipment, data unit or communications system provided by a customer or user unless provided for under separate contract. The Telephone Company is not responsible for adapting ATM Service to the technological requirements of any specific customer equipment.
- C. The Telephone Company is not responsible to the customer or user if changes in any of the equipment, operations or procedures of the Telephone Company used in the provision of ATM Service render any facilities or equipment provided by the customer or user obsolete or require modification or alteration of such equipment or system or otherwise affect its use or performance, provided the Telephone Company has met any applicable information disclosure requirements otherwise required by law.
- D. In order to maintain the quality of ATM Service, the Telephone Company reserves the right to perform preventative maintenance and software updates to the network. The Telephone Company has classified this maintenance as indicated below:

Scheduled Maintenance

Scheduled maintenance is used to perform such functions as hardware and software upgrades and network optimization. The Telephone Company will perform these tasks in a maintenance window that is defined as occurring between midnight and 6 a.m., local time, on Monday. The Telephone Company reserves the same time period for any other day(s) of the week to facilitate maintenance which cannot be completed during the Monday maintenance window. The Telephone Company will provide advance notice of all scheduled maintenance.

ISSUED:
June 25, 2001

BY: Richard D. Lawson
State Executive, External Affairs
319 Madison
Jefferson City, MO 65101

EFFECTIVE:
July 25, 2001

ASYNCHRONOUS TRANSFER MODE (ATM) SERVICE

IV. OBLIGATIONS OF THE TELEPHONE COMPANY (Cont'd)

D. In order to maintain the quality of ATM Service... (Cont'd)

Demand Maintenance

Demand maintenance may occur as a result of unexpected events and is performed when ATM Service network elements are in jeopardy. The Telephone Company will perform this type of maintenance at its discretion. Due to the nature of demand maintenance prior notification may not be possible; however, the customer will be informed when the maintenance has been completed.

V. OBLIGATIONS OF THE CUSTOMER

- A. The customer's ATM compatible terminal equipment is responsible for retransmitting cells or packets that are discarded due to errors or network congestion.
- B. Where ATM Service is available for use in connection with communications systems or equipment provided by a customer or user, the operating characteristics of such systems or equipment shall be such as not to interfere with any services offered by the Telephone Company. Such use is subject to the further provisions that the equipment provided by the customer or user does not endanger the safety of Telephone Company employees or the public; does not damage, harm, require change in or alteration of the equipment or other services of the Telephone Company; does not interfere with the proper operation of the Telephone Company's equipment; or does not otherwise injure the public in its use of Telephone Company services. Upon notice from the Telephone Company that the equipment provided by the customer or user is causing, or is likely to cause, such hazard or interference, the customer shall take the necessary steps to remove or prevent such hazard or interference.
- C. The customer, upon request, shall furnish such CPE information as may be required to permit the Telephone Company to design and maintain the ATM Service it offers and to assure that the service arrangement is in compliance with the regulations contained herein.
- D. Upon service subscription, the customer should specify the equivalent bandwidth and Class of Service for each PVC ordered. A default of fifty (50) percent of the smallest port size will be assigned as the IR should the information not be provided. No individual PVC IR shall exceed (99) percent of the UNI port access rate. The sum of all PCR's on a single ATM port must not exceed five hundred (500) percent of the port line rate. The sum of all SCR's on a single ATM port must not exceed two hundred (200) percent of the port line rate.

ISSUED:
June 25, 2001

BY: Richard D. Lawson
State Executive, External Affairs
319 Madison
Jefferson City, MO 65101

EFFECTIVE:
July 25, 2001

ASYNCHRONOUS TRANSFER MODE (ATM) SERVICE

VI. TERM DISCOUNT PLAN (TDP)

- A. Term Discount Plan (TDP) provides the customer with discounted tariff rates for the ATM Access Line (ATM-AL), ATM Port (Port Only) and the ATM-Network Link (ATM-NL). The customer agrees to a minimum service commitment period for these elements when the TDP is established. Customers may disconnect or move PVCs and not be subject to termination liability charges. The customer must order a TDP in writing to the Telephone Company. A TDP may be ordered in one month increments based on the following plan options;

Plan A: 12 - 23 months
Plan B: 24 - 35 months
Plan C: 36 - 59 months
Plan D: 60 - 84 months

- B. The customer must specify the length of the initial service period at the time the service is ordered. When a customer converts to a TDP, no administrative charges are applied toward facilities in service at that time. If a customer moves from a month-to-month plan to a TDP, or upgrades from one TDP to a longer term TDP, no administrative charges are applied.
- C. If a TDP customer disconnects any portion of the ATM Access Line, ATM Port and/or ATM-Network Link TDP service prior to the end of month 12, the customer is liable for 100% of the payments remaining for the first twelve months and 50% of the payments for the rest of the term plan or 12 months, whichever is shorter. If a customer disconnects any portion of their TDP service after the end of the 12th month, the customer is liable for 50% of the payments remaining under the TDP or 12 months, whichever is shorter. For example, a customer disconnecting in the 10th month of a 55-month plan owes 100% of 2-month payments and 50% of the 55-month plan payments for an additional 12 months. A customer disconnecting in the 25th month of a 36-month plan owes 50% of the term payments for an additional 11 months. If Construction Charges were applied to the service being terminated, any termination charges associated with the Construction Charges will also apply.
- D. Rate changes as approved by the Missouri Public Service Commission will automatically be applied to the monthly term plan rates for the remaining term of the TDP. If a Telephone Company initiated rate increase causes a customer's rates to exceed the original rates in effect at the beginning of the TDP, the customer may cancel the TDP without incurring termination liability charges.

ISSUED:
June 25, 2001

BY: Richard D. Lawson
State Executive, External Affairs
319 Madison
Jefferson City, MO 65101

EFFECTIVE:
July 25, 2001

ASYNCHRONOUS TRANSFER MODE (ATM) SERVICE

VI. TERM DISCOUNT PLAN (TDP) (Cont'd)

- E. TDP commitment periods can be extended by the customer at any time during the term of the plan, up to a maximum of 84 months. The number of months accrued in the current plan will be applied toward the new plan selected.
- F. At the end of the TDP service commitment period, the customer may subscribe to a new TDP at the prevailing rates set forth in Section 20.VIII following. If the customer does not select a new TDP, the rates will convert to the prevailing month-to-month rates.
- G. When a service or rate element under a Term Discount Plan (TDP) arrangement is disconnected prior to the expiration of a selected service period as a result of a change in tariff jurisdiction and/or a customer requested change to a Next Generation Service Offering of a separately tariffed service, Termination Charges will not apply when:

The service period of the new Term Discount Plan arrangement for the new service offering is a minimum period equal to or exceeding the remaining service period of the disconnected arrangement, whichever is greater, and

The service orders to install the new service and disconnect the old service are related together, and there is no lapse in service between installation of the new service and disconnection of the existing service, and

The service orders are for the same customer at the same location.

Multiple T1's (TransLink) to DS 3 (LightLink); Integrated Services Digital Network (ISDN) - Primary Rate Interface (PRI) to Frame Relay Service (FRS) and Frame Relay Service (FRS) to Asynchronous Transfer Mode (ATM) are a few examples of a Next Generation Service Offering.

VII. SERVICE COMPONENTS

- A. Administrative Charge – Applies to changes in a customer's network associated with PVCs. Although multiple changes can be caused by such actions, only one administrative charge applies per customer request.

This administrative charge applies in addition to applicable charges associated with Service Connections Charges - Moves and Changes, as specified in Section 30 of this tariff.

ISSUED:
June 25, 2001

BY: Richard D. Lawson
State Executive, External Affairs
319 Madison
Jefferson City, MO 65101

EFFECTIVE:
July 25, 2001

ASYNCHRONOUS TRANSFER MODE (ATM) SERVICE

VII. SERVICE COMPONENTS (Cont'd)

- B. ATM Access Line (ATM-AL) - A nonrecurring charge and monthly rate based on the connection line speed of the local loop access line. The access line is from the CDL to the serving central office and includes the UNI port on the ATM switch. Construction Charges may apply, if facilities do not already exist. Route Diversity of the local loop portion of ATM Access Line also may require Construction and Installation Charges.

Where the CDL is located in another telephone company's service area, the ATM Access Line charges provide for transport to the meet-point boundary with the other local telephone company. Charges for service from the meet-point boundary to the CDL will be the responsibility of the customer based on the rates and charges of each jointly provisioning telephone company.

- C. ATM Additional Access Line (ATM-AAL) – A non-recurring charge and a monthly rate based on the connection line speed of the local loop access line. For DS3 service, up to two DS3 ATM AALs can be purchased at the rates and charges specified in Section 20, VIII B. after the initial DS3 ATM Access Line has been purchased. The DS3 ATM AAL must be located on the same fiber optical terminal and the same fiber route. For OC3 service, up to three OC3 ATM AALs can purchased at the rates and charges specified in Section 20.VIII B. after the initial OC3 ATM Access Line has been purchased provided that the Fiber Optic Terminal (FOT) at the CDL is an OC12 FOT. The OC3 ATM AAL must be located on the same fiber optical terminal and the same route. The ATM AAL is only offered where facilities are available.
- D. ATM Network Link (ATM-NL) – A nonrecurring charge and monthly rate based on the DS1 or DS3 port at the Telephone Company's ATM switch and transport from the ATM switch to the interconnecting ATM Service. Where the service is jointly provisioned with another telephone company, the appropriate charges will be based on the distance from the ATM to the meet-point boundary with the other telephone company. Charges for service from the meet-point boundary to the other company's ATM switch will be the responsibility of the customer based on the rates and charges of each jointly provisioning telephone company. In addition to a DS1 or DS3 ATM Network Link, a minimum of one Gateway Service for bandwidth will apply.

ISSUED:
June 25, 2001

BY: Richard D. Lawson
State Executive, External Affairs
319 Madison
Jefferson City, MO 65101

EFFECTIVE:
July 25, 2001

GENERAL EXCHANGE TARIFF

Embarq Missouri, Inc.
d/b/a Embarq

First Revised Page 13
Cancels Original Page 13

ASYNCHRONOUS TRANSFER MODE (ATM) SERVICE

VII. SERVICE COMPONENTS (Cont'd)

- E. ATM Port - A nonrecurring charge and monthly rate based on the speed of the port connection applies per port connection to the network supporting ATM. The port rate element can be used in lieu of the ATM Access Line element if the customer has an alternative Telephone Company-approved means of access to the ATM Network (such as **TransLink** or through a Telephone Company provided ICB arrangement). (T)
- F. Gateway Service - This service allows the Telephone Company ATM customers to interconnect to another ATM or FRS Network. The service is available wherever the Telephone Company has established a network interface with another private or public ATM or Frame Relay network. The charge for this service covers the facility from the Telephone Company ATM port to the interconnecting ATM or Frame Relay point of another company. The charge includes the software defined PVC to the other company's network to the UNI port, but does not include the UNI port provided by the other company. Gateway Service is purchased in increments of IR. The customer accomplishes this by ordering PVCs and Gateway Service connections to the other company's ATM or Frame Relay Network.
- G. IR and PVC - A monthly rate applies for each PVC based on the IR requested by the customer. If no IR is indicated, the IR will be set at the default of 50% of the associated ATM UNI Port. A nonrecurring charge applies for the establishment of each PVC and for each subsequent order of PVC(s). A separate rate is established for PVCs that are intraLATA and for PVCs that are interLATA.

Customers may select from three different Categories of Service (or QoS) for PVCs to ensure greater reliability for mission-critical applications in the event of network congestion:

- Lowest Priority - Unspecified Bit Rate (UBR)
- Higher Priority - Variable Bit Rate-non-real-time (VBR-nrt)
- Highest Priority - Constant Bit Rate (CBR)

This flexibility helps to ensure maximum performance and satisfaction for individual customer communications applications.

- H. Nonrecurring Charge (NRC) - A one-time charge for initial installation and installation of functions and features.

ISSUED:
September 8, 2006

BY: Darlene N. Terry
Manager - Tariffs
5454 W. 110th Street
Overland Park, KS 66211

EFFECTIVE:
~~October 8, 2006~~
October 13, 2006

ASYNCHRONOUS TRANSFER MODE (ATM) SERVICE

VII. SERVICE COMPONENTS (Cont'd)

- E. ATM Port - A nonrecurring charge and monthly rate based on the speed of the port connection applies per port connection to the network supporting ATM. The port rate element can be used in lieu of the ATM Access Line element if the customer has an alternative Telephone Company-approved means of access to the ATM Network (such as TransLink® or through a Telephone Company provided ICB arrangement).
- F. Gateway Service - This service allows the Telephone Company ATM customers to interconnect to another ATM or FRS Network. The service is available wherever the Telephone Company has established a network interface with another private or public ATM or Frame Relay network. The charge for this service covers the facility from the Telephone Company ATM port to the interconnecting ATM or Frame Relay point of another company. The charge includes the software defined PVC to the other company's network to the UNI port, but does not include the UNI port provided by the other company. Gateway Service is purchased in increments of IR. The customer accomplishes this by ordering PVCs and Gateway Service connections to the other company's ATM or Frame Relay Network.
- G. IR and PVC - A monthly rate applies for each PVC based on the IR requested by the customer. If no IR is indicated, the IR will be set at the default of 50% of the associated ATM UNI Port. A nonrecurring charge applies for the establishment of each PVC and for each subsequent order of PVC(s). A separate rate is established for PVCs that are intraLATA and for PVCs that are interLATA.

Customers may select from three different Categories of Service (or QoS) for PVCs to ensure greater reliability for mission-critical applications in the event of network congestion:

- Lowest Priority - Unspecified Bit Rate (UBR)
- Higher Priority - Variable Bit Rate-non-real-time (VBR-nrt)
- Highest Priority - Constant Bit Rate (CBR)

This flexibility helps to ensure maximum performance and satisfaction for individual customer communications applications.

- H. Nonrecurring Charge (NRC) - A one-time charge for initial installation and installation of functions and features.

ISSUED:
June 25, 2001

BY: Richard D. Lawson
State Executive, External Affairs
319 Madison
Jefferson City, MO 65101

EFFECTIVE:
July 25, 2001

Cancelled

P.S.C. MO.-No. 22 Section 20
 GENERAL EXCHANGE TARIFF

Embarq Missouri, Inc.
 d/b/a Embarq

Second Revised Page 14
 Cancels First Revised Page 14

ASYNCHRONOUS TRANSFER MODE (ATM) SERVICE

VIII. RATES AND CHARGES

A. ATM Access Line (ATM-AL) (includes Access Line and Port)

	<u>SAE Code</u>	<u>Monthly Rate</u>	<u>Nonrecurring Charge</u>	
1.544 Mbps (DS1 UNI)				
Month to month	PUNIDS1(MTM)	\$ 585.00	\$ 700.00	
12-23 months	PUNIDS1(1YR)	525.00	700.00	
24-35 months	PUNIDS1(2YR)	495.00	700.00	
36-59 months	PUNIDS1(3YR)	445.00	0.00	(R)
60-84 months	PUNIDS1(5YR)	390.00	0.00	(R)
*3 Mbps (2xDS1 UNI)				
Month to month	PUNI2DS(MTM)	935.00	800.00	
12-23 months	PUNI2DS(1YR)	845.00	800.00	
24-35 months	PUNI2DS(2YR)	795.00	800.00	
36-59 months	PUNI2DS(3YR)	745.00	0.00	
60-84 months	PUNI2DS(5YR)	700.00	0.00	
*6 Mbps (4xDS1 UNI)				
Month to month	PUNI4DS(MTM)	1,870.00	900.00	
12-23 months	PUNI4DS(1YR)	1,685.00	900.00	
24-35 months	PUNI4DS(2YR)	1,590.00	900.00	
36-59 months	PUNI4DS(3YR)	1,495.00	0.00	
60-84 months	PUNI4DS(5YR)	1,405.00	0.00	
*9 Mbps (6xDS1 UNI)				
Month to month	PUNI6DS(MTM)	2,690.00	1,000.00	
12-23 months	PUNI6DS(1YR)	2,420.00	1,000.00	
24-35 months	PUNI6DS(2YR)	2,285.00	1,000.00	
36-59 months	PUNI6DS(3YR)	2,150.00	0.00	
60-84 months	PUNI6DS(5YR)	2,015.00	0.00	

* Where facilities are available

ISSUED:
 December 1, 2006

BY: Darlene N. Terry
 Manager - Tariffs
 5454 W. 110th Street
 Overland Park, KS 66211

EFFECTIVE:
 January 15, 2007

GENERAL EXCHANGE TARIFF

SPRINT MISSOURI, INC.
d/b/a SPRINT

First Revised Page 14
Cancels Original Page 14

ASYNCHRONOUS TRANSFER MODE (ATM) SERVICE

VIII. RATES AND CHARGES

A. ATM Access Line (ATM-AL) (includes Access Line and Port)

	<u>SAE Code</u>	<u>Monthly Rate</u>	<u>Nonrecurring Charge</u>
1.544 Mbps (DS1 UNI)			
Month to month	PUNIDS1(MTM)	\$ 585.00	\$ 700.00
12-23 months	PUNIDS1(1YR)	525.00	700.00
24-35 months	PUNIDS1(2YR)	495.00	700.00
36-59 months	PUNIDS1(3YR)	470.00	0.00
60-84 months	PUNIDS1(5YR)	440.00	0.00
*3 Mbps (2xDS1 UNI)			
Month to month	PUNI2DS(MTM)	935.00	800.00
12-23 months	PUNI2DS(1YR)	845.00	800.00
24-35 months	PUNI2DS(2YR)	795.00	800.00
36-59 months	PUNI2DS(3YR)	745.00	0.00
60-84 months	PUNI2DS(5YR)	700.00	0.00
*6 Mbps (4xDS1 UNI)			
Month to month	PUNI4DS(MTM)	1,870.00	900.00
12-23 months	PUNI4DS(1YR)	1,685.00	900.00
24-35 months	PUNI4DS(2YR)	1,590.00	900.00
36-59 months	PUNI4DS(3YR)	1,495.00	0.00
60-84 months	PUNI4DS(5YR)	1,405.00	0.00
*9 Mbps (6xDS1 UNI)			
Month to month	PUNI6DS(MTM)	2,690.00	1,000.00
12-23 months	PUNI6DS(1YR)	2,420.00	1,000.00
24-35 months	PUNI6DS(2YR)	2,285.00	1,000.00
36-59 months	PUNI6DS(3YR)	2,150.00	0.00
60-84 months	PUNI6DS(5YR)	2,015.00	0.00

(CT)

* Where facilities are available

ISSUED:
March 11, 2003

BY: Richard D. Lawson
State Executive, External Affairs
319 Madison
Jefferson City, MO 65101

EFFECTIVE:
April 10, 2003

Cancelled

January 15, 2007

Missouri Public
Service Commission

Filed

Missouri Public
Service Commission

GENERAL EXCHANGE TARIFF

REC'D JUN 25 2001
Original Page 14

SPRINT MISSOURI, INC.
d/b/a SPRINT

Service Commission

ASYNCHRONOUS TRANSFER MODE (ATM) SERVICE

VIII. RATES AND CHARGES

A. ATM Access Line (ATM-AL) (includes Access Line and Port)

	<u>SAE Code</u>	<u>Monthly Rate</u>	<u>Nonrecurring Charge</u>
1.544 Mbps (DS1 UNI)			
Month to month	PUNIDS1(MTM)	\$ 585.00	\$ 700.00
12-23 months	PUNIDS1(1YR)	525.00	700.00
24-35 months	PUNIDS1(2YR)	495.00	700.00
36-59 months	PUNIDS1(3YR)	470.00	0.00
60-84 months	PUNIDS1(5YR)	440.00	0.00
*3 Mbps (2xDS1 UNI)			
Month to month	PUNI2DS(MTM)	935.00	800.00
12-23 months	PUNI2DS(1YR)	845.00	800.00
24-35 months	PUNI2DS(2YR)	795.50	800.00
36-59 months	PUNI2DS(3YR)	745.00	0.00
60-84 months	PUNI2DS(5YR)	700.00	0.00
*6 Mbps (4xDS1 UNI)			
Month to month	PUNI4DS(MTM)	1,870.00	900.00
12-23 months	PUNI4DS(1YR)	1,685.00	900.00
24-35 months	PUNI4DS(2YR)	1,590.00	900.00
36-59 months	PUNI4DS(3YR)	1,495.00	0.00
60-84 months	PUNI4DS(5YR)	1,405.00	0.00
*9 Mbps (6xDS1 UNI)			
Month to month	PUNI6DS(MTM)	2,690.00	1,000.00
12-23 months	PUNI6DS(1YR)	2,420.00	1,000.00
24-35 months	PUNI6DS(2YR)	2,285.00	1,000.00
36-59 months	PUNI6DS(3YR)	2,150.00	0.00
60-84 months	PUNI6DS(5YR)	2,015.00	0.00

* Where facilities are available

CANCELLED
APR 10 2003
by KRS 14
Public Service Commission
MISSOURI

ISSUED:
June 25, 2001

BY: Richard D. Lawson
State Executive, External Affairs
319 Madison
Jefferson City, MO 65101

EFFECTIVE:
July 25, 2001
Missouri Public

FILED JUL 25 2001

Service Commission

ASYNCHRONOUS TRANSFER MODE (ATM) SERVICE

VIII. RATES AND CHARGES (Cont'd)

A. ATM Access Line (ATM-AL) (includes Access Line and Port) (Cont'd)

	<u>SAE Code</u>	<u>Monthly Rate</u>	<u>Nonrecurring Charge</u>
*45 Mbps (DS3 UNI) Telephone Company Provided Fiber Optic Terminal			
Month to month			
0-3 miles	PUN3D03(MTM)	\$ 3,685.00	\$ 2,800.00
Over 3 miles	PUN3DG3(MTM)	4,790.00	2,800.00
12-23 months			
0-3 miles	PUN3D03(1YR)	3,315.00	2,800.00
Over 3 miles	PUN3DG3(1YR)	4,315.00	2,800.00
24-35 months			
0-3 miles	PUN3D03(2YR)	3,130.00	2,800.00
Over 3 miles	PUN3DG3(2YR)	4,070.00	2,800.00
36-59 months			
0-3 miles	PUN3D03(3YR)	2,950.00	0.00
Over 3 miles	PUN3DG3(3YR)	3,830.00	0.00
60-84 months			
0-3 miles	PUN3D03(5YR)	2,785.00	0.00
Over 3 miles	PUN3DG3(5YR)	3,595.00	0.00

* Where facilities are available

ISSUED:
 June 25, 2001

BY: Richard D. Lawson
 State Executive, External Affairs
 319 Madison
 Jefferson City, MO 65101

EFFECTIVE:
 July 25, 2001

ASYNCHRONOUS TRANSFER MODE (ATM) SERVICE

VIII. RATES AND CHARGES (Cont'd)

A. ATM Access Line (ATM-AL) (includes Access Line and Port) (Cont'd)

	<u>SAE Code</u>	<u>Monthly Rate</u>	<u>Nonrecurring Charge</u>
*155 Mbps (OC3 UNI) Customer Provided Fiber Optic Terminal			
Month to month			
0-3 miles	PUNOC03(MTM)	\$ 4,425.00	\$ 3,200.00
Over 3 miles	PUNOCG3(MTM)	5,750.00	3,200.00
12-23 months			
0-3 miles	PUNOC03(1YR)	3,980.00	3,200.00
Over 3 miles	PUNOCG3(1YR)	5,175.00	3,200.00
24-35 months			
0-3 miles	PUNOC03(2YR)	3,540.00	3,200.00
Over 3 miles	PUNOCG3(2YR)	4,595.00	3,200.00
36-59 months			
0-3 miles	PUNOC03(3YR)	3,320.00	0.00
Over 3 miles	PUNOCG3(3YR)	4,315.00	0.00
60-84 months			
0-3 miles	PUNOC03(5YR)	3,095.00	0.00
Over 3 miles	PUNOCG3(5YR)	4,025.00	0.00
*155 Mbps (OC3 UNI) Telephone Company Provided Fiber Optic Terminal			
Month to month			
0-3 miles	PUNOCS0(MTM)	5,085.00	3,400.00
Over 3 miles	PUNOCS3(MTM)	6,615.00	3,400.00
12-23 months			
0-3 miles	PUNOCS0(1YR)	4,575.00	3,400.00
Over 3 miles	PUNOCS3(1YR)	5,950.00	3,400.00
24-35 months			
0-3 miles	PUNOCS0(2YR)	4,070.00	3,400.00
Over 3 miles	PUNOCS3(2YR)	5,290.00	3,400.00
36-59 months			
0-3 miles	PUNOCS0(3YR)	3,815.00	0.00
Over 3 miles	PUNOCS3(3YR)	4,960.00	0.00
60-84 months			
0-3 miles	PUNOCS0(5YR)	3,665.00	0.00
Over 3 miles	PUNOCS3(5YR)	4,630.00	0.00

* Where facilities are available. OC3 service is available at tariff rates only from serving central offices that have an ATM switch. OC3 service is available at Individual Case Basis (ICB) rates from serving central offices that do not have an ATM switch.

ISSUED:
 June 25, 2001

BY: Richard D. Lawson
 State Executive, External Affairs
 319 Madison
 Jefferson City, MO 65101

EFFECTIVE:
 July 25, 2001

ASYNCHRONOUS TRANSFER MODE (ATM) SERVICE

VIII. RATES AND CHARGES (Cont'd)

B. ATM Additional Access Line (ATM-AAL) on the same Fiber Optic Terminal and the same route.

	<u>SAE Code</u>	<u>Monthly Rate</u>	<u>Nonrecurring Charge</u>
*45 Mbps (DS3 UNI)			
Month to month	PUNIXDS(MTM)	\$ 3,135.00	\$ 1,500.00
12-23 months	PUNIXDS(1YR)	2,820.00	1,500.00
24-35 months	PUNIXDS(2YR)	2,505.00	1,500.00
36-59 months	PUNIXDS(3YR)	2,350.00	0.00
60-84 months	PUNIXDS(5YR)	2,195.00	0.00
**155 Mbps (OC3 UNI) Customer Provided Fiber Optic Terminal			
Month to month	PUNIXOC(MTM)	4,975.00	2,500.00
12-23 months	PUNIXOC(1YR)	4,480.00	2,500.00
24-35 months	PUNIXOC(2YR)	3,980.00	2,500.00
36-59 months	PUNIXOC(3YR)	3,735.00	0.00
60-84 months	PUNIXOC(5YR)	3,485.00	0.00
**155 Mbps (OC3 UNI) Telephone Company Provided Fiber Optic Terminal			
Month to month	PUNIAOC(MTM)	6,670.00	3,500.00
12-23 months	PUNIAOC(1YR)	6,010.00	3,500.00
24-35 months	PUNIAOC(2YR)	5,335.00	3,500.00
36-59 months	PUNIAOC(3YR)	4,995.00	0.00
60-84 months	PUNIAOC(5YR)	4,670.00	0.00

* Where facilities are available.

** Where facilities are available. OC3 service is available at tariff rates only from serving central offices that have an ATM switch. OC3 service is available at Individual Case Basis (ICB) rates from serving central offices that do not have an ATM switch.

ISSUED:
 June 25, 2001

BY: Richard D. Lawson
 State Executive, External Affairs
 319 Madison
 Jefferson City, MO 65101

EFFECTIVE:
 July 25, 2001

GENERAL EXCHANGE TARIFF

Embarq Missouri, Inc.
d/b/a Embarq

First Revised Page 18 (C)
 Cancels Original Page 18 (C)

ASYNCHRONOUS TRANSFER MODE (ATM) SERVICE

VIII. RATES AND CHARGES (Cont'd)

C. ATM Port (Port Only)

	<u>SAE Code</u>	<u>Monthly Rate</u>	<u>Nonrecurring Charge</u>	
1.544 Mbps (DS1 UNI)				
Month to month	PUNPDS1(MTM)	\$ 460.00	\$ 400.00	(1)
12-23 months	PUNPDS1(1YR)	415.00	400.00	
24-35 months	PUNPDS1(2YR)	395.00	400.00	
36-59 months	PUNPDS1(3YR)	370.00	0.00	
60-84 months	PUNPDS1(5YR)	350.00	0.00	
*3 Mbps (2xDS1 UNI)				
Month to month	PUNP2DS(MTM)	700.00	500.00	
12-23 months	PUNP2DS(1YR)	665.00	500.00	
24-35 months	PUNP2DS(2YR)	630.00	500.00	
36-59 months	PUNP2DS(3YR)	595.00	0.00	
60-84 months	PUNP2DS(5YR)	560.0	0.00	
*6 Mbps (4xDS1 UNI)				
Month to month	PUNP4DS(MTM)	1,405.00	600.00	
12-23 months	PUNP4DS(1YR)	1,335.00	600.00	
24-35 months	PUNP4DS(2YR)	1,265.00	600.00	
36-59 months	PUNP4DS(3YR)	1,195.00	0.00	
60-84 months	PUNP4DS(5YR)	1,125.00	0.00	
*9 Mbps (6xDS1 UNI)				
Month to month	PUNP6DS(MTM)	2,015.00	700.00	
12-23 months	PUNP6DS(1YR)	1,915.00	700.00	
24-35 months	PUNP6DS(2YR)	1,815.00	700.00	
36-59 months	PUNP6DS(3YR)	1,715.00	0.00	
60-84 months	PUNP6DS(5YR)	1,615.00	0.00	
45 Mbps (DS3 UNI)				
Month to month	PUN3DCO(MTM)	1,950.00	1,500.00	(1)
12-23 months	PUN3DCO(1YR)	1,750.00	1,500.00	
24-35 months	PUN3DCO(2YR)	1,660.00	1,500.00	
36-59 months	PUN3DCO(3YR)	1,565.00	0.00	
60-84 months	PUN3DCO(5YR)	1,475.00	0.00	
155 Mbps (OC3 UNI)				
Month to month	PUNOCCO(MTM)	2,525.00	2,000.00	(1)
12-23 months	PUNOCCO(1YR)	2,275.00	2,000.00	
24-35 months	PUNOCCO(2YR)	2,155.00	2,000.00	
36-59 months	PUNOCCO(3YR)	1,915.00	0.00	
60-84 months	PUNOCCO(5YR)	1,795.00	0.00	

* Where facilities are available.

ISSUED:
 January 20, 2009

BY: Darlene N. Terry
 Manager - Tariffs
 5454 W. 110th Street
 Overland Park, Kansas 66211

EFFECTIVE:
 February 1, 2009

ASYNCHRONOUS TRANSFER MODE (ATM) SERVICE

VIII. RATES AND CHARGES (Cont'd)

C. ATM Port (Port Only)

	<u>SAE Code</u>	<u>Monthly Rate</u>	<u>Nonrecurring Charge</u>
1.544 Mbps (DS1 UNI)			
Month to month	PUNPDS1(MTM)	\$ 435.00	\$ 400.00
12-23 months	PUNPDS1(1YR)	415.00	400.00
24-35 months	PUNPDS1(2YR)	395.00	400.00
36-59 months	PUNPDS1(3YR)	370.00	0.00
60-84 months	PUNPDS1(5YR)	350.00	0.00
*3 Mbps (2xDS1 UNI)			
Month to month	PUNP2DS(MTM)	700.00	500.00
12-23 months	PUNP2DS(1YR)	665.00	500.00
24-35 months	PUNP2DS(2YR)	630.00	500.00
36-59 months	PUNP2DS(3YR)	595.00	0.00
60-84 months	PUNP2DS(5YR)	560.0	0.00
*6 Mbps (4xDS1 UNI)			
Month to month	PUNP4DS(MTM)	1,405.00	600.00
12-23 months	PUNP4DS(1YR)	1,335.00	600.00
24-35 months	PUNP4DS(2YR)	1,265.00	600.00
36-59 months	PUNP4DS(3YR)	1,195.00	0.00
60-84 months	PUNP4DS(5YR)	1,125.00	0.00
*9 Mbps (6xDS1 UNI)			
Month to month	PUNP6DS(MTM)	2,015.00	700.00
12-23 months	PUNP6DS(1YR)	1,915.00	700.00
24-35 months	PUNP6DS(2YR)	1,815.00	700.00
36-59 months	PUNP6DS(3YR)	1,715.00	0.00
60-84 months	PUNP6DS(5YR)	1,615.00	0.00
45 Mbps (DS3 UNI)			
Month to month	PUN3DCO(MTM)	1,840.00	1,500.00
12-23 months	PUN3DCO(1YR)	1,750.00	1,500.00
24-35 months	PUN3DCO(2YR)	1,660.00	1,500.00
36-59 months	PUN3DCO(3YR)	1,565.00	0.00
60-84 months	PUN3DCO(5YR)	1,475.00	0.00
155 Mbps (OC3 UNI)			
Month to month	PUNOCCO(MTM)	2,395.00	2,000.00
12-23 months	PUNOCCO(1YR)	2,275.00	2,000.00
24-35 months	PUNOCCO(2YR)	2,155.00	2,000.00
36-59 months	PUNOCCO(3YR)	1,915.00	0.00
60-84 months	PUNOCCO(5YR)	1,795.00	0.00

* Where facilities are available.

ISSUED:
 June 25, 2001

BY: Richard D. Lawson
 State Executive, External Affairs
 319 Madison
 Jefferson City, MO 65101

EFFECTIVE:
 July 25, 2001

REC'D OCT 25 2002

GENERAL EXCHANGE TARIFF

Service Commission

First Revised Page 19

Cancels Original Page 19

SPRINT MISSOURI, INC.
d/b/a SPRINT

ASYNCHRONOUS TRANSFER MODE (ATM) SERVICE

VIII. RATES AND CHARGES (Cont'd)

D. Permanent Virtual Circuit (PVC) – IntraLATA

	<u>SAE Code</u>	<u>Monthly Rate (Per Increment)</u>	<u>Nonrecurring Charge (Per PVC)</u>
Over 0 thru 2.944 Mbps (Per increments of 64 Kbps)			
CBR	PUNPVCK(RBC)	\$ 18.00	\$ 50.00
VBR-nrt	PUNPVCK(VBR)	10.00	50.00
Over 2.944 Mbps (Per increments of 1 Mbps)			
CBR	PUNPVCM(RBC)	65.00	50.00
VBR-nrt	PUNPVCM(VBR)	35.00	50.00
	<u>SAE Code</u>	<u>Monthly Rate Per (Connection)</u>	<u>Nonrecurring Charge Per (Connection)</u>
UBR			
Per DS1 Connection	PUNPVCM(DS1)	45.00	50.00
Per NxDS1 Conn.	PUNPVCM(IMA)	65.00	50.00
Per DS3 Connection	PUNPVCM(DS3)	325.00	50.00
Per OC3 Connection	PUNPVCM(OC3)	850.00 (1)	50.00

NOTE: UBR PVCs must be ordered at the same transmission speed as the port with which it is associated.

E. Permanent Virtual Circuit (PVC) – InterLATA

	<u>SAE Code</u>	<u>Monthly Rate (Per Increment)</u>	<u>Nonrecurring Charge (Per PVC)</u>
Over 0 thru 2.944 Mbps (Per increments of 64 Kbps)			
CBR	PUNPVIK(RBC)	20.00	50.00
VBR-nrt	PUNPVIK(VBR)	12.00	50.00
Over 2.944 Mbps (Per increments of 1 Mbps)			
CBR	PUNPVIM(RBC)	75.00	50.00
VBR-nrt	PUNPVIM(VBR)	45.00	50.00
	<u>SAE Code</u>	<u>Monthly Rate Per (Connection)</u>	<u>Nonrecurring Charge Per (Connection)</u>
UBR			
Per DS1 Connection	PUNPVIM(DS1)	55.00	50.00
Per NxDS1 Conn.	PUNPVIM(IMA)	75.00	50.00
Per DS3 Connection	PUNPVIM(DS3)	345.00	50.00
Per OC3 Connection	PUNPVIM(OC3)	890.00 (1)	50.00

NOTE: UBR PVCs must be ordered at the same transmission speed as the port with which it is associated.

ISSUED:
October 25, 2002

BY: Richard D. Lawson
State Executive, External Affairs
319 Madison
Jefferson City, MO 65101

Missouri Public
Service Commission
IT-03-0166
FILED DEC 18 2002

EFFECTIVE:

DEC 18 2002

GENERAL EXCHANGE TARIFF

REC'D JUN 25 2001
Original Page 19

SPRINT MISSOURI, INC.
d/b/a SPRINT

Service Commission

ASYNCHRONOUS TRANSFER MODE (ATM) SERVICE

VIII. RATES AND CHARGES (Cont'd)

D. Permanent Virtual Circuit (PVC) – IntraLATA

	<u>SAE Code</u>	<u>Monthly Rate (Per Increment)</u>	<u>Nonrecurring Charge (Per PVC)</u>
Over 0 thru 2.944 Mbps (Per increments of 64 Kbps)			
CBR	PUNPVCK(RBC)	\$ 18.00	\$ 50.00
VBR-nrt	PUNPVCK(VBR)	10.00	50.00
Over 2.944 Mbps (Per increments of 1 Mbps)			
CBR	PUNPVCM(RBC)	65.00	50.00
VBR-nrt	PUNPVCM(VBR)	35.00	50.00
	<u>SAE Code</u>	<u>Monthly Rate Per (Connection)</u>	<u>Nonrecurring Charge Per (Connection)</u>
UBR			
Per DS1 Connection	PUNPVCM(DS1)	45.00	50.00
Per NxDS1 Conn.	PUNPVCM(IMA)	65.00	50.00
Per DS3 Connection	PUNPVCM(DS3)	325.00	50.00
Per OC3 Connection	PUNPVCM(OC3)	795.00	50.00

NOTE: UBR PVCs must be ordered at the same transmission speed as the port with which it is associated.

E. Permanent Virtual Circuit (PVC) – InterLATA

	<u>SAE Code</u>	<u>Monthly Rate (Per Increment)</u>	<u>Nonrecurring Charge (Per PVC)</u>
Over 0 thru 2.944 Mbps (Per increments of 64 Kbps)			
CBR	PUNPVIK(RBC)	20.00	50.00
VBR-nrt	PUNPVIK(VBR)	12.00	50.00
Over 2.944 Mbps (Per increments of 1 Mbps)			
CBR	PUNPVIM(RBC)	75.00	50.00
VBR-nrt	PUNPVIM(VBR)	45.00	50.00
	<u>SAE Code</u>	<u>Monthly Rate Per (Connection)</u>	<u>Nonrecurring Charge Per (Connection)</u>
UBR			
Per DS1 Connection	PUNPVIM(DS1)	55.00	50.00
Per NxDS1 Conn.	PUNPVIM(IMA)	75.00	50.00
Per DS3 Connection	PUNPVIM(DS3)	345.00	50.00
Per OC3 Connection	PUNPVIM(OC3)	825.00	50.00

NOTE: UBR PVCs must be ordered at the same transmission speed as the port with which it is associated.

ISSUED:
June 25, 2001

BY: Richard D. Lawson
State Executive, External Affairs
319 Madison
Jefferson City, MO 65101

EFFECTIVE:
July 25, 2001

Missouri Public

FILED JUL 25 2001

Service Commission

CANCELLED

DEC 18 2002

By STRS/9
Public Service Commission

ASYNCHRONOUS TRANSFER MODE (ATM) SERVICE

VIII. RATES AND CHARGES (Cont'd)

F. ATM Network Link (ATM-NL)

	<u>SAE Code</u>	<u>Monthly Rate</u>	<u>Nonrecurring Charge</u>
*1.544 Mbps ATM-NL			
Month to month	PUNPNL1(MTM)	\$ 450.00	\$ 375.00
12-23 months	PUNPNL1(1YR)	405.00	375.00
24-35 months	PUNPNL1(2YR)	380.00	375.00
36-59 months	PUNPNL1(3YR)	360.00	375.00
60-84 months	PUNPNL1(5YR)	335.00	375.00
*45 Mbps ATM-NL Within CO			
Month to month	PUNPNLC(MTM)	1,200.00	375.00
12-23 months	PUNPNLC(1YR)	1,080.00	375.00
24-35 months	PUNPNLC(2YR)	1,020.00	375.00
36-59 months	PUNPNLC(3YR)	960.00	375.00
60-84 months	PUNPNLC(5YR)	900.00	375.00
*45 Mbps ATM-NL 0-3 miles			
Month to month	PUNPNL3(MTM)	1,300.00	375.00
12-23 months	PUNPNL3(1YR)	1,170.00	375.00
24-35 months	PUNPNL3(2YR)	1,105.00	375.00
36-59 months	PUNPNL3(3YR)	1,040.00	375.00
60-84 months	PUNPNL3(5YR)	975.00	375.00
*45 Mbps ATM-NL Over 3 miles			
Month to month	PUNPNLG(MTM)	1,500.00	375.00
12-23 months	PUNPNLG(1YR)	1,350.00	375.00
24-35 months	PUNPNLG(2YR)	1,275.00	375.00
36-59 months	PUNPNLG(3YR)	1,200.00	375.00
60-84 months	PUNPNLG(5YR)	1,125.00	375.00

G. An administrative charge will be applied, in addition to the applicable charges associated with Service Connection and Service Charges, as specified in Section 17 of this tariff, when a change is made to a customer's ATM configuration (including changes to an existing group's addressing or changes in bandwidth), at the customer's request. Such changes are defined as those rearrangements necessary to add, delete or rearrange the customer's configuration and changes of the PCR, SCR on a PVC. The administrative charge applies to changes in a customer's network associated with PVCs. Only one administrative charge applies per customer request.

Administrative Charge (Nonrecurring) \$.75.00

* Where facilities are available.

ISSUED:
 June 25, 2001

BY: Richard D. Lawson
 State Executive, External Affairs
 319 Madison
 Jefferson City, MO 65101

EFFECTIVE:
 July 25, 2001

REC'D OCT 25 2002

GENERAL EXCHANGE TARIFF

SPRINT MISSOURI, INC.
d/b/a SPRINT

Service Commission
First Revised Page 21
Cancels Original Page 21

ASYNCHRONOUS TRANSFER MODE (ATM) SERVICE

VIII. RATES AND CHARGES (Cont'd)

H. Gateway Service, Permanent Virtual Circuit (PVC) - IntraLATA

	<u>SAE Code</u>	<u>Monthly Rate (Per Increment)</u>	<u>Nonrecurring Charge (Per PVC)</u>
Over 0 thru 2.944 Mbps (Per increments of 64 Kbps)			
CBR	PUNIGWK(RBC)	\$ 20.00	\$ 100.00
VBR-nrt	PUNIGWK(VBR)	12.00	100.00
Over 2.944 Mbps (Per increments of 1 Mbps)			
CBR	PUNIGWM(RBC)	75.00	100.00
VBR-nrt	PUNIGWM(VBR)	45.00	100.00
	<u>SAE Code</u>	<u>Monthly Rate Per (Connection)</u>	<u>Nonrecurring Charge Per (Connection)</u>
UBR			
Per DS1 Connection	PUNIGWM(DS1)	55.00	50.00
Per NxDS1 Conn.	PUNIGWM(IMA)	75.00	50.00
Per DS3 Connection	PUNIGWM(DS3)	345.00	50.00
Per OC3 Connection	PUNIGWM(OC3)	995.00 (1)	50.00

Missouri Public
Service Commission
IT-03-0146
FILED DEC 18 2002

ISSUED:
October 25, 2002

BY: Richard D. Lawson
State Executive, External Affairs
319 Madison
Jefferson City, MO 65101

EFFECTIVE:
~~October 25, 2002~~

DEC 18 2002

GENERAL EXCHANGE TARIFF

REC'D JUN 25 2001
Original Page 21

SPRINT MISSOURI, INC.
d/b/a SPRINT

Service Commission

ASYNCHRONOUS TRANSFER MODE (ATM) SERVICE

VIII. RATES AND CHARGES (Cont'd)

H. Gateway Service, Permanent Virtual Circuit (PVC) - IntraLATA

	<u>SAE Code</u>	<u>Monthly Rate (Per Increment)</u>	<u>Nonrecurring Charge (Per PVC)</u>
Over 0 thru 2.944 Mbps (Per increments of 64 Kbps)			
CBR	PUNIGWK(RBC)	\$ 20.00	\$ 100.00
VBR-nrt	PUNIGWK(VBR)	12.00	100.00
Over 2.944 Mbps (Per increments of 1 Mbps)			
CBR	PUNIGWM(RBC)	75.00	100.00
VBR-nrt	PUNIGWM(VBR)	45.00	100.00
	<u>SAE Code</u>	<u>Monthly Rate Per (Connection)</u>	<u>Nonrecurring Charge Per (Connection)</u>
UBR			
Per DS1 Connection	PUNIGWM(DS1)	55.00	50.00
Per NxDS1 Conn.	PUNIGWM(IMA)	75.00	50.00
Per DS3 Connection	PUNIGWM(DS3)	345.00	50.00
Per OC3 Connection	PUNIGWM(OC3)	930.00	50.00

CANCELLED

DEC 18 2002
By JST RSD
Public Service Commission

ISSUED:
June 25, 2001

BY: Richard D. Lawson
State Executive, External Affairs
319 Madison
Jefferson City, MO 65101

EFFECTIVE:
July 25, 2001
Missouri Public

FILED JUL 25 2001

Service Commission

FRAME RELAY SERVICE

I. DESCRIPTION

- A. Frame Relay Service (FRS) is a fast packet network that permits the transmission of data at speeds of 56/64 Kbps, 128 Kbps, 256 Kbps, 384 Kbps, 512 Kbps, DS1, or DS3 using Permanent Virtual Circuits (PVCs). Utilizing statistical multiplexing, the FRS Network enables the customer to allocate circuit bandwidth to applications as needed, rather than assigning fixed channels to specific applications.
- B. Permanent Virtual Circuits (PVCs) are logical channels that connect ports on a frame relay switch or between frame relay switches. PVCs are end-to-end, bi-directional channels that are established and disestablished via the service order process. Separate PVCs must be established to each location that the customer desires to transmit data. These PVC channels are virtual because they are established in software tables and do not tie up facilities when not in-use. Multiple PVCs can be defined over a single Frame Relay Access Line (FRAL), thereby providing a single access line the capability to transmit data to multiple destinations.
- C. FRS requires the use of customer terminal equipment that functions as a multiplexer, bridger or router. This terminal equipment must be purchased separately from the FRS and must conform to Consultative Committee for International Telecommunication Union (ITU) and American National Standards Institute (ANSI) standards set forth in ITU: Q.933 Annex A, ANSI: T1.617 Annex D. The terminal equipment accumulates customer data and puts it into a frame relay format suitable for transmission over the FRS Network.
- D. In the operation of FRS, customer premises equipment (CPE), such as frame relay assembler and disassemblers, encapsulate arriving data into variable length frames. These frames contain information, data link connection identifier (DLCI) addresses, identifying which PVC in the network should be used to forward the frame to the proper destination. The CPE then sends the frame into the FRS Network over a dedicated access facility called a User Network Interface (UNI). The frame relay switch reads identifying information and routes the frame to the proper destination based on a pre-established PVC.
- E. Variable frame length capability is useful in communications between asynchronous Local Area Networks (LAN) and for transport of synchronous data traffic. FRS is capable of handling the requirements of bursty data sources because of the ability of the service to allocate additional bandwidth when not in use by other sources.

ISSUED:
May 15, 1998

BY: Richard D. Lawson
State Executive, External Affairs
319 Madison
Jefferson City, MO 65101

EFFECTIVE:
June 16, 1998

P.S.C. MO.-No. 22 Section 21

GENERAL EXCHANGE TARIFF

UNITED TELEPHONE COMPANY
OF MISSOURI

(Reserved For Future Filings)

Original Page 1
RECEIVED

SEP 17 1992

MISSOURI
PUBLIC SERVICE COMMISSION

CANCELLED

JUN 16 1998

By KSRS#1
Public Service Commission
MISSOURI

FILED

NOV 7 1992

MO. PUBLIC SERVICE COMM.

ISSUED:
September 17, 1992

BY: John L. Roe
Vice President - Administration
5454 West 110th Street
Overland Park, Kansas 66211

EFFECTIVE:
~~October 17, 1992~~
NOV 7 1992

GENERAL EXCHANGE TARIFF

SPRINT MISSOURI, INC.
d/b/a SPRINT

Original Page 2

FRAME RELAY SERVICE

I. DESCRIPTION (Cont'd)

F. FRS is provided to the customer in the form of a Frame Relay Access Line (FRAL), Frame Relay User Network Interface Port and the PVC.

G. The actual throughput of aggregated PVC bandwidths in use at the same time on the same port cannot exceed the port speed.

H. Since multiple PVCs may be defined on one physical port, it is possible for the cumulative CIRs to exceed the physical bandwidth of that port. This is referred to as oversubscription and when this occurs, there can be no guarantee that the CIR defined for that port and PVC will be available at any point in time.

I. The Committed Information Rate (CIR) and the Excess Burst Size (B_e) are traffic management parameters that allow the customer to fine tune implementation of Frame Relay Service.

J. Clear Channel Capability will be provided upon request and where deemed applicable by the Company. Special construction charges may apply.

K. FRS conforms to the International Telecommunications Union (ITU), formerly the Consultative Committee for International Telegraph and Telephone (CCITT), and American National Standards Institute (ANSI) standards set forth in technical publications.

II. DEFINITIONS

A. Committed Information Rate (CIR) - CIR defines the amount of data throughput on any designated PVC that the Telephone Company will support under normal operating conditions. CIR is administered per PVC. Any data burst beyond the CIR may be labeled Discard Eligible (DE) if the data transfer rate exceeds the CIR of the PVC being used. If the frame relay network develops congestion, the frames marked DE may be discarded. At service subscription, the customer must specify the CIR associated with each PVC. The retransmission of discarded frames is administered by the customer's CPE.

B. Customer Designated Location (CDL) - The geographic location designated by the customer where the customer's CPE is first considered to enter the Telephone Company's network.

ISSUED:
May 15, 1998

BY: Richard D. Lawson
State Executive, External Affairs
319 Madison
Jefferson City, MO 65101

EFFECTIVE:
June 16, 1998

GENERAL EXCHANGE TARIFF

Embarq Missouri, Inc.
d/b/a Embarq

First Revised Page 3
Cancels Original Page 3

FRAME RELAY SERVICE

II. DEFINITIONS (Cont'd)

- C. Data Link Connection Identifier (DLCI) – The address information contained in the frame relay header which conveys to the network how an individual frame should be routed. The DLCI essentially defines to which customer end point a particular frame should be sent.
- D. Excess Burst Size (B_e) - Denotes the data rate above Committed Information Rate (CIR) at which customer data will be admitted to the Frame Relay network. All Excess Burst data admitted to the network will be designated discard eligible.
- E. Frame - A sequence of contiguous bits delimited by beginning and ending flag sequences.
- F. Frame Relay Access Line (FRAL) – A FRAL is a UNI that provides access to the FRS Network. A FRAL can be purchased only if the customer has service (local dial tone) from the Telephone Company Serving Wire Center (SWC). A FRAL includes the provision of a frame relay access port.
- G. Frame Relay Port (FRAP) – FRAP is a port on the FRS network that is used to interconnect other Telephone Company provided private line services such as **DigiLink**, **TransLink** or a digital cross connect system port to the FRS. The FRAP is the physical entry point for PVCs. Ports include the electronic equipment used in connecting these service elements to the Frame Relay Network and enable customers to allocate bandwidth to applications as needed. (T)
- H. Frame Relay Service (FRS) – A fast packet network that provides the customer high-speed access and throughput to different customer addresses. Utilizing statistical multiplexing, the frame relay network enables the customer to allocate bandwidth to applications as needed, rather than dedicating fixed channels to specific applications.
- I. Frame Relay Service Network Serving Area – Certain Telephone Company central offices are designated by the Telephone Company as Serving Area Points for the FRS Network Serving Area.
- J. Gateway Service – This service allows the Telephone Company FRS customers to interconnect to another FRS Network. The service is available wherever the Telephone Company has established a network interface with another private or public frame relay network. Gateway Service is only available where such network connectivity exists or where suitable connectivity arrangements can be made that are acceptable to the Telephone Company.

ISSUED:
September 8, 2006

BY: Darlene N. Terry
Manager - Tariffs
5454 W. 110th Street
Overland Park, KS 66211

EFFECTIVE:
~~October 8, 2006~~

October 13, 2006

GENERAL EXCHANGE TARIFF

SPRINT MISSOURI, INC.
d/b/a SPRINT

Original Page 3

FRAME RELAY SERVICE

II. DEFINITIONS (Cont'd)

- C. Data Link Connection Identifier (DLCI) - The address information contained in the frame relay header which conveys to the network how an individual frame should be routed. The DLCI essentially defines to which customer end point a particular frame should be sent.
- D. Excess Burst Size (B_e) - Denotes the data rate above Committed Information Rate (CIR) at which customer data will be admitted to the Frame Relay network. All Excess Burst data admitted to the network will be designated discard eligible.
- E. Frame - A sequence of contiguous bits delimited by beginning and ending flag sequences.
- F. Frame Relay Access Line (FRAL) - A FRAL is a UNI that provides access to the FRS Network. A FRAL can be purchased only if the customer has service (local dial tone) from the Telephone Company Serving Wire Center (SWC). A FRAL includes the provision of a frame relay access port.
- G. Frame Relay Port (FRAP) - FRAP is a port on the FRS network that is used to interconnect other Telephone Company provided private line services such as DigiLinksm, TransLinksm or a digital cross connect system port to the FRS. The FRAP is the physical entry point for PVCs. Ports include the electronic equipment used in connecting these service elements to the Frame Relay Network and enable customers to allocate bandwidth to applications as needed.
- H. Frame Relay Service (FRS) - A fast packet network that provides the customer high-speed access and throughput to different customer addresses. Utilizing statistical multiplexing, the frame relay network enables the customer to allocate bandwidth to applications as needed, rather than dedicating fixed channels to specific applications.
- I. Frame Relay Service Network Serving Area - Certain Telephone Company central offices are designated by the Telephone Company as Serving Area Points for the FRS Network Serving Area.
- J. Gateway Service - This service allows the Telephone Company FRS customers to interconnect to another FRS Network. The service is available wherever the Telephone Company has established a network interface with another private or public frame relay network. Gateway Service is only available where such network connectivity exists or where suitable connectivity arrangements can be made that are acceptable to the Telephone Company.

ISSUED:
May 15, 1998

BY: Richard D. Lawson
State Executive, External Affairs
319 Madison
Jefferson City, MO 65101

EFFECTIVE:
June 16, 1998

Cancelled

October 13, 2006
Missouri Public
Service Commission

Filed

Missouri Public
Service Commission

GENERAL EXCHANGE TARIFF

SPRINT MISSOURI, INC.
d/b/a SPRINT

Original Page 4

FRAME RELAY SERVICE

II. DEFINITIONS (Cont'd)

- K. Local Access and Transport Area - The term "Local Access and Transport Area" (LATA) denotes a geographic area for the provision and administration of communications service. It encompasses designated Access Areas which are grouped to serve common social, economic, and other purposes.
- L. Local Area Network (LAN) - A network permitting the interconnection and intercommunication of a group of computers, primarily for the sharing of resources such as data storage devices and printers.
- M. Logical Channel - A communications channel that allows two-way, simultaneous transmission of sequenced data packets through the network. No circuit capacity is pre-assigned to a logical channel. Capacity is made available as the data is transmitted. Each PVC is considered one logical channel.
- N. Maximum Burst Rate (MBR) - The term "Maximum Burst Rate (MBR)" denotes the maximum information rate at which customer traffic will be admitted to the Frame Relay network. Traffic rates in excess of MBR will be automatically discarded on ingress to the network. Maximum Burst Rate is equal to the sum of the Committed Information Rate (CIR) and Excess Burst Size (B_e).
- O. Network to Network Interface (NNI) - The NNI specifies how a frame relay switch sends and receives data from a frame relay interexchange carrier's or other customer's network.
- P. Permanent Virtual Circuits (PVCs) - The PVC provides a software-defined electronic path between the two ports within the FRS Network. A UNI or NNI Port Connection can be associated with multiple PVCs. Since all PVCs need not be in use at the same time, it is possible for the total CIR of all PVCs associated with one port to exceed the bandwidth of the port. It is not possible, however for the simultaneous aggregate of the PVCs throughput to exceed the bandwidth of the port. Such a relationship is referred to as oversubscription or overbooking, and when this occurs, there can be no guarantee that the bandwidth defined for that PVC will be available at any point in time.
- Q. Protocol - A specific set of rules, procedures or conventions relating to format and timing of data transmission between two devices. It is a standard procedure that two data devices must accept and use to be able to understand each other. Protocols break a file into parts called blocks or packets. These packets are sent and the receiving computer checks the arriving packet and sends an acknowledgment back to the sending computer.

ISSUED:
May 15, 1998

BY: Richard D. Lawson
State Executive, External Affairs
319 Madison
Jefferson City, MO 65101

EFFECTIVE:
June 16, 1998

GENERAL EXCHANGE TARIFF

SPRINT MISSOURI, INC.
d/b/a SPRINT

First Revised Page 5
Cancels Original Page 5

FRAME RELAY SERVICE

II. DEFINITIONS (Cont'd)

R. Serving Wire Center (SWC) - The customer's serving wire center is the Telephone Company central office from which the customer normally receives dial tone.

S. Systems Network Architecture (SNA) - IBM's data communications scheme.

T. Statistical Multiplexing - A multiplexing technique in which timeslots are dynamically allocated on the basis of need rather than being predetermined. The data is typically transmitted on a first come, first served basis.

U. User to Network Interface (UNI) - The UNI is a standard interface used to connect the end user to the Telephone Company FRS Network. It receives the data frame from the customer's LAN or other CPE devices and verifies that the DLCI is valid before relaying the frame to the destination point.

V. Utilization Reports - Reports that the customer can order that display circuit utilization for Frame Relay Access Ports (FRAP) and Permanent Virtual Circuits (PVC).

(N)
|
(N)

ISSUED:
March 30, 2001

BY: Richard D. Lawson
State Executive, External Affairs
319 Madison
Jefferson City, MO 65101

EFFECTIVE:
April 30, 2001

GENERAL EXCHANGE TARIFF

SPRINT MISSOURI, INC.
d/b/a SPRINT

RECEIVED

Original Page 5
MAY 15 1998

FRAME RELAY SERVICE

MO. PUBLIC SERVICE COMM

II. DEFINITIONS (Cont'd)

- R. Serving Wire Center (SWC) - The customer's serving wire center is the Telephone Company central office from which the customer normally receives dial tone.
- S. Systems Network Architecture (SNA) - IBM's data communications scheme.
- T. Statistical Multiplexing - A multiplexing technique in which timeslots are dynamically allocated on the basis of need rather than being predetermined. The data is typically transmitted on a first come, first served basis.
- U. User to Network Interface (UNI) - The UNI is a standard interface used to connect the end user to the Telephone Company FRS Network. It receives the data frame from the customer's LAN or other CPE devices and verifies that the DLCI is valid before relaying the frame to the destination point.

CANCELLED

APR 30 2001

By *157 RP 5*
Public Service Commission
MISSOURI

FILED

JUN 16 1998

MISSOURI
Public Service Commission

ISSUED:
May 15, 1998

BY: Richard D. Lawson
State Executive, External Affairs
319 Madison
Jefferson City, MO 65101

EFFECTIVE:
June 16, 1998

GENERAL EXCHANGE TARIFF

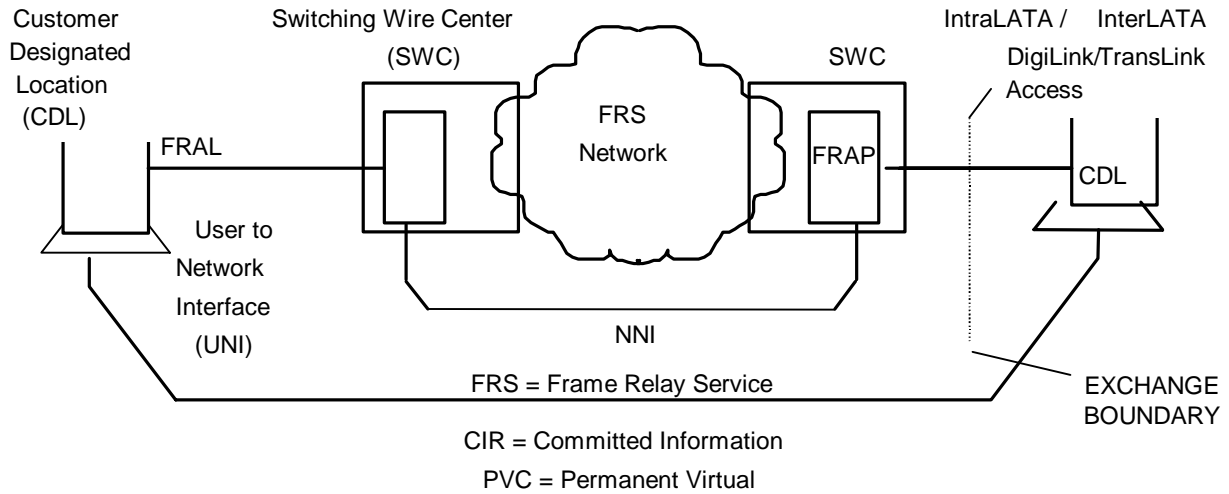
SPRINT MISSOURI, INC.
d/b/a SPRINT

Original Page 6

FRAME RELAY SERVICE

II. DEFINITIONS (Cont'd)

The following diagram illustrates some of the above mentioned terms.



ISSUED:
May 15, 1998

BY: Richard D. Lawson
State Executive, External Affairs
319 Madison
Jefferson City, MO 65101

EFFECTIVE:
June 16, 1998

GENERAL EXCHANGE TARIFF

SPRINT MISSOURI, INC.
d/b/a SPRINT

Original Page 7

FRAME RELAY SERVICE

III. GENERAL REGULATIONS

- A. FRS is provided to the customer in the form of an FRAL or a combination of digital, private line transport facilities (i.e. DigiLink or TransLink) a FRAP, and a PVC at a specified CIR. The FRAL or a combination of DigiLink/TransLink and a FRAP forms the customer access component to the FRS Network. DS3 Frame Relay Service is not offered bundled with the Frame Relay Access Line. DS3 Frame Relay Service is available on a UNI port only basis and the DS3 access line is obtained on an Individual Case Basis (ICB). The Frame Relay UNI Port Only offerings are provided for digital special access line connections to the network supporting Frame Relay Service. Digital special access lines are available from P.S.C. MO. No. 26 Section 7. A PVC must be ordered for transmission between any two locations. The CIR determines the speed that will be supported by the Telephone Company FRS Network under normal operating conditions.
- B. FRS, as provided for in this tariff section, is offered for local, intraLATA and intrastate interLATA use when Telephone Company facilities exist. The regulations and rates specified herein are in addition to the applicable regulations and rates specified in other tariffs and other sections of this tariff. If it is necessary to construct facilities to satisfy service requests, the service may be provided pursuant to the Telephone Company's Special Construction provisions.
- C. The minimum service period for FRS is three months. FRS may be ordered on a month-to-month basis or through a Term Discount Plan for fixed periods of 12 to 84 months.
- D. When the customer orders additional PVCs, nonrecurring charges shall apply. In addition, nonrecurring charges shall apply to all changes made to a customer's frame relay configuration at the customer's request. Such changes are defined as those necessary to add, delete, or rearrange the customer's configuration, including changes to CIRs. One PVC nonrecurring charge shall apply for each PVC changed.
- E. The FRAL will be ordered from the tariff of the state in which the SWC is located.
- F. Whenever facilities are provided jointly by the Telephone Company and one or more other telephone companies, the regulations, rates and charges of such other telephone companies apply for the equipment and facilities furnished by them for use in connection with the interexchange FRS provided by the Telephone Company.

ISSUED:
May 15, 1998

BY: Richard D. Lawson
State Executive, External Affairs
319 Madison
Jefferson City, MO 65101

EFFECTIVE:
June 16, 1998

GENERAL EXCHANGE TARIFF

SPRINT MISSOURI, INC.
d/b/a SPRINT

Original Page 8

FRAME RELAY SERVICE

III. GENERAL REGULATIONS (Cont'd)

- G. Where it is necessary to use interexchange or local channel facilities of another telephone company in order to furnish a private line service to interconnect to the Telephone Company's FRS, such service will be furnished only if satisfactory arrangements can be made with the other company.
- H. Due to technical limitations, the distance between the SWC and the customer designated location (CDL) is limited to approximately 12,000 feet for 1.544 mbps access or 18,000 feet for 56 kbps access. A Telephone Company engineer may allow some deviation of this specification based on the gauge of wire used. For access lines that exceed this specification, the access line may be made operational by adding additional equipment. The Telephone Company will apply a special construction charge for the additional time and material required.

IV. OBLIGATIONS OF THE TELEPHONE COMPANY

- A. The responsibility of the Telephone Company shall be limited to furnishing network equipment suitable for FRS and to the maintenance and operation of such equipment in a manner proper for such service. Subject to this responsibility, the Telephone Company shall not be responsible for the through transmission of signals generated by the customer provided equipment or system, or for the quality of, or defects in, such transmission or the reception of signals by such equipment or systems.
- B. The Telephone Company shall not be responsible for installation, operation or maintenance of any terminal equipment, data unit or communications system provided by a customer or user. The Telephone Company is not responsible for adapting FRS to the technological requirements of any specific customer equipment.
- C. The Telephone Company shall not be responsible to the customer or user if changes in any of the equipment, operations or procedures of the Telephone Company used in the provision of FRS render any facilities provided by the customer or user obsolete or require modification or alteration of such equipment or system or otherwise affect its use or performance, provided the Telephone Company has met any applicable information disclosure requirements otherwise required by law.

ISSUED:
May 15, 1998

BY: Richard D. Lawson
State Executive, External Affairs
319 Madison
Jefferson City, MO 65101

EFFECTIVE:
June 16, 1998

GENERAL EXCHANGE TARIFF

SPRINT MISSOURI, INC.
d/b/a SPRINT

Original Page 9

FRAME RELAY SERVICE

IV. OBLIGATIONS OF THE TELEPHONE COMPANY (Cont'd)

- D. In order to maintain the quality of FRS, the Telephone Company reserves the right to perform preventative maintenance and software updates to the network. The Telephone Company has classified this maintenance as indicated below:

Scheduled Maintenance

Scheduled maintenance is used to perform such functions as hardware and software upgrades and network optimization. The Telephone Company will perform these tasks in a maintenance window that is defined as occurring between midnight and 6 a.m., local switch time, seven days per week. The Telephone Company will provide advance notice of all scheduled maintenance.

Demand Maintenance

Demand maintenance may occur as a result of unexpected events and is used when FRS network elements are in jeopardy. The Telephone Company will perform this type of maintenance at its discretion. Due to the nature of demand maintenance prior notification may not be possible, however, the customer will be informed when the maintenance has been completed.

V. OBLIGATIONS OF THE CUSTOMER

- A. The customer's Frame Relay compatible terminal equipment has the responsibility for re-transmitting frames that are discarded due to errors or network congestion.
- B. Where FRS is available for use in connection with communications systems or equipment provided by a customer or user, the operating characteristics of such systems or equipment shall be such as not to interfere with any services offered by the Telephone Company. Such use is subject to the further provisions that the equipment provided by the customer or user does not endanger the safety of Telephone Company employees or the public; damage, harm, require change in or alteration of the equipment or other services of the Telephone Company; interfere with the proper operation of the Telephone Company's equipment or otherwise injure the public in its use of Telephone Company services. Upon notice from the Telephone Company that the equipment provided by the customer or user is causing, or is likely to cause, such hazard or interference, the customer shall take such steps as shall be necessary to remove or prevent such hazard or interference.

ISSUED:
May 15, 1998

BY: Richard D. Lawson
State Executive, External Affairs
319 Madison
Jefferson City, MO 65101

EFFECTIVE:
June 16, 1998

GENERAL EXCHANGE TARIFF

SPRINT MISSOURI, INC.
d/b/a SPRINT

Original Page 10

FRAME RELAY SERVICE

V. OBLIGATIONS OF THE CUSTOMER (Cont'd)

- C. The customer, upon request, shall furnish such CPE information as may be required to permit the Telephone Company to design and maintain the FRS it offers and to assure that the service arrangement is in compliance with the regulations contained herein.
- D. At service subscription, the customer should specify the CIR and B_e of each PVC ordered. CIR is the maximum information rate at which the customer's traffic will be admitted to the Frame Relay network without being designated eligible for discard. A default of fifty (50) percent of the smallest port size will be assigned as the CIR should the information not be provided. No individual PVC CIR shall exceed (95) percent of the FRAP access rate. The sum of all CIR on a single FRAP must not exceed two hundred (200) percent of the FRAP access rate.

VI. TERM DISCOUNT PLAN (TDP)

- A. Term Discount Plan (TDP) provides the customer with discounted tariff rates. The customer must order a TDP in writing to the Telephone Company. A TDP may be ordered in increments of one month, based on the following plan options.

Plan A:	12 - 23 months
Plan B:	24 - 35 months
Plan C:	36 - 59 months
Plan D:	60 - 84 months

- B. Rate increases or decreases will automatically be applied to the monthly term plan rates for the remaining term of the TDP. If a Telephone Company initiated rate increase causes a customer's rates to exceed the original rates in effect at the beginning of the TDP, the customer may cancel the TDP without incurring termination liability charges.
- C. The customer must specify the length of the initial service period at the time the service is ordered.
- D. If Special Construction charges were applied to the service being terminated, any termination charges associated with the Special Construction will also apply.

ISSUED:
May 15, 1998

BY: Richard D. Lawson
State Executive, External Affairs
319 Madison
Jefferson City, MO 65101

EFFECTIVE:
June 16, 1998

P.S.C. MO.-No. 22 Section 21
GENERAL EXCHANGE TARIFF

Embarq Missouri, Inc.
d/b/a Embarq

Fourth Revised Page 11
Cancels Third Revised Page 11

FRAME RELAY SERVICE

VI. TERM DISCOUNT PLAN (TDP) (Cont'd)

D. (Cont'd)

1. A customer wishing to establish a TDP must commit at least 80 percent of its in-service UNI Ports, and associated Access Links, to be eligible for one, three or five year discounts. The commitment level will be based on UNI Port quantities. Customers may disconnect or move UNI Ports and are not subject to termination liability charges as long as the commitment levels are maintained.
2. A subsequent order to add FRS UNI Ports to an existing fixed-period service agreement must be for a fixed-period per Plan A, B, C, D or for the remainder of the existing fixed-period service agreement.
3. If a customer's in-service level falls below the 80 percent commitment level, termination liability charges will be 50 percent of the total monthly recurring charges for the remaining period. This applies to Plan A, B, C and D.

- E. When a service or rate element under a Term Discount Plan (TDP) arrangement is disconnected prior to the expiration of a selected service period as a result of a change in tariff jurisdiction and/or a customer requested change to a next generation service offering of a separately tariffed service, Termination Charges will not apply when:

The service period of the new Term Discount Plan arrangement for the new service offering is a minimum period equal to or exceeding the remaining service period of the disconnected arrangement, whichever is greater, and

The service orders to install the new service and disconnect the old service are related together, and there is no lapse in service between installation of the new service and disconnection of the existing service, and

The service orders are for the same customer at the same location.

Frame Relay Service to: Asynchronous Transfer Mode (ATM) is an example of a next generation service offering.

(D)
(D)

ISSUED:
March 6, 2009

BY: Darlene N. Terry
Manager - Tariffs
5454 W. 110th Street
Overland Park, Kansas 66211

EFFECTIVE:
April 5, 2009

P.S.C. MO.-No. 22 Section 21
GENERAL EXCHANGE TARIFF

Embarq Missouri, Inc.
d/b/a Embarq

Third Revised Page 11
Cancels Second Revised Page 11

FRAME RELAY SERVICE

VI. TERM DISCOUNT PLAN (TDP) (Cont'd)

D. (Cont'd)

1. A customer wishing to establish a TDP must commit at least 80 percent of its in-service UNI Ports, and associated Access Links, to be eligible for one, three or five year discounts. The commitment level will be based on UNI Port quantities. Customers may disconnect or move UNI Ports and are not subject to termination liability charges as long as the commitment levels are maintained.
2. A subsequent order to add FRS UNI Ports to an existing fixed-period service agreement must be for a fixed-period per Plan A, B, C, D or for the remainder of the existing fixed-period service agreement.
3. If a customer's in-service level falls below the 80 percent commitment level, termination liability charges will be 50 percent of the total monthly recurring charges for the remaining period. This applies to Plan A, B, C and D.

- E. When a service or rate element under a Term Discount Plan (TDP) arrangement is disconnected prior to the expiration of a selected service period as a result of a change in tariff jurisdiction and/or a customer requested change to a next generation service offering of a separately tariffed service, Termination Charges will not apply when:

The service period of the new Term Discount Plan arrangement for the new service offering is a minimum period equal to or exceeding the remaining service period of the disconnected arrangement, whichever is greater, and

The service orders to install the new service and disconnect the old service are related together, and there is no lapse in service between installation of the new service and disconnection of the existing service, and

The service orders are for the same customer at the same location.

Frame Relay Service to: Asynchronous Transfer Mode (ATM) is an example of a next generation service offering.

- F. Service Charges are waived for one, two, three and five year term commitments when the customer also subscribes to the Company's **non-regulated Dedicated IP Service**. (C)

ISSUED:
March 16, 2007

BY: Darlene N. Terry
Manager - Tariffs
5454 W. 110th Street
Overland Park, Kansas 66211

EFFECTIVE:
April 15, 2007

CANCELLED
April 5, 2009
Missouri Public
Service Commission
JI-2009-0634

Filed
Missouri Public
Service Commission

EMBARQ MISSOURI, INC.
d/b/a EMBARQ

Second Revised Page 11 (C)
Cancels First Revised Page 11 (C)

FRAME RELAY SERVICE

VI. TERM DISCOUNT PLAN (TDP) (Cont'd)

D. (Cont'd)

1. A customer wishing to establish a TDP must commit at least 80 percent of its in-service UNI Ports, and associated Access Links, to be eligible for one, three or five year discounts. The commitment level will be based on UNI Port quantities. Customers may disconnect or move UNI Ports and are not subject to termination liability charges as long as the commitment levels are maintained.
2. A subsequent order to add FRS UNI Ports to an existing fixed-period service agreement must be for a fixed-period per Plan A, B, C, D or for the remainder of the existing fixed-period service agreement.
3. If a customer's in-service level falls below the 80 percent commitment level, termination liability charges will be 50 percent of the total monthly recurring charges for the remaining period. This applies to Plan A, B, C and D.

- E. When a service or rate element under a Term Discount Plan (TDP) arrangement is disconnected prior to the expiration of a selected service period as a result of a change in tariff jurisdiction and/or a customer requested change to a next generation service offering of a separately tariffed service, Termination Charges will not apply when:

The service period of the new Term Discount Plan arrangement for the new service offering is a minimum period equal to or exceeding the remaining service period of the disconnected arrangement, whichever is greater, and

The service orders to install the new service and disconnect the old service are related together, and there is no lapse in service between installation of the new service and disconnection of the existing service, and

The service orders are for the same customer at the same location.

Frame Relay Service to: Asynchronous Transfer Mode (ATM) is an example of a next generation service offering.

- F. **Service Charges are waived for one, two, three and five year term commitments when the customer also subscribes to the Company's non-regulated 1.5 Dedicated IP Service.**

(N)
(N)

(MT)

(MT)

(MT) Material previously appearing on this page now appears on First Revised Page 12.

ISSUED:
May 31, 2006

BY: Chad Eckhart
Vice President, Regulatory Affairs
6450 Sprint Parkway
Overland Park, Kansas 66251

EFFECTIVE:
June 30, 2006

FRAME RELAY SERVICE

VI. TERM DISCOUNT PLAN (TDP) (Cont'd)

D. (Cont'd)

1. A customer wishing to establish a TDP must commit at least 80 percent of its in-service UNI Ports, and associated Access Links, to be eligible for one, three or five year discounts. The commitment level will be based on UNI Port quantities. Customers may disconnect or move UNI Ports and are not subject to termination liability charges as long as the commitment levels are maintained.
2. A subsequent order to add FRS UNI Ports to an existing fixed-period service agreement must be for a fixed-period per Plan A, B, C, D or for the remainder of the existing fixed-period service agreement.
3. If a customer's in-service level falls below the 80 percent commitment level, termination liability charges will be 50 percent of the total monthly recurring charges for the remaining period. This applies to Plan A, B, C and D.

E. When a service or rate element under a Term Discount Plan (TDP) arrangement is disconnected prior to the expiration of a selected service period as a result of a change in tariff jurisdiction and/or a customer requested change to a next generation service offering of a separately tariffed service, Termination Charges will not apply when:

The service period of the new Term Discount Plan arrangement for the new service offering is a minimum period equal to or exceeding the remaining service period of the disconnected arrangement, whichever is greater, and

The service orders to install the new service and disconnect the old service are related together, and there is no lapse in service between installation of the new service and disconnection of the existing service, and

The service orders are for the same customer at the same location.

Frame Relay Service to: Asynchronous Transfer Mode (ATM) is an example of a next generation service offering.

(N)

(N)

VII. SERVICE COMPONENTS

- A. Frame Relay Access Line (FRAL) - A nonrecurring charge and monthly rate apply based on the speed of the port connection for each physical connection. The FRAL includes the provision of a port.
- B. Frame Relay Access Port (FRAP) - A nonrecurring charge and monthly rate based on the speed of the port connection applies per port connection to the network supporting FRS. The port rate element can be used in lieu of the FRAL element if the customer has an alternative Company-approved means of access to the Frame Relay Network (such as DigiLink/TransLink).
- C. CIR and PVC - A monthly rate applies for each PVC based on the CIR requested by the customer. If no CIR is indicated, the CIR will be set at the default of 50% of the associated Frame Relay Port. A nonrecurring charge applies for the establishment of each PVC and for each subsequent order of PVC(s). A separate rate is established for PVCs that are IntraLATA and for PVCs that are InterLATA.

ISSUED:
July 24, 2001

Cancelled
June 30, 2006
Missouri Public
Service Commission

BY: Richard D. Lawson
State Executive, External Affairs
319 Madison
Jefferson City, MO 65101

EFFECTIVE:
August 23, 2001

Filed
Missouri Public
Service Commission

GENERAL EXCHANGE TARIFF

RECEIVED

SPRINT MISSOURI, INC.
d/b/a SPRINT

Original Page 11
MAY 15 1998

FRAME RELAY SERVICE

MO. PUBLIC SERVICE COMM

VI. TERM DISCOUNT PLAN (TDP) (Cont'd)

D. (Cont'd)

1. A customer wishing to establish a TDP must commit at least 80 percent of its in-service UNI Ports, and associated Access Links, to be eligible for one, three or five year discounts. The commitment level will be based on UNI Port quantities. Customers may disconnect or move UNI Ports and are not subject to termination liability charges as long as the commitment levels are maintained.
2. A subsequent order to add FRS UNI Ports to an existing fixed-period service agreement must be for a fixed-period per Plan A, B, C, D or for the remainder of the existing fixed-period service agreement.
3. If a customer's in-service level falls below the 80 percent commitment level, termination liability charges will be 50 percent of the total monthly recurring charges for the remaining period. This applies to Plan A, B, C and D.

VII. SERVICE COMPONENTS

- A. Frame Relay Access Line (FRAL) - A nonrecurring charge and monthly rate apply based on the speed of the port connection for each physical connection. The FRAL includes the provision of a port.
- B. Frame Relay Access Port (FRAP) - A nonrecurring charge and monthly rate based on the speed of the port connection applies per port connection to the network supporting FRS. The port rate element can be used in lieu of the FRAL element if the customer has an alternative Company-approved means of access to the Frame Relay Network (such as DigiLink/TransLink).
- C. CIR and PVC - A monthly rate applies for each PVC based on the CIR requested by the customer. If no CIR is indicated, the CIR will be set at the default of 50% of the associated Frame Relay Port. A nonrecurring charge applies for the establishment of each PVC and for each subsequent order of PVC(s). A separate rate is established for PVCs that are IntraLATA and for PVCs that are InterLATA.

CANCELLED

FILED

JUN 16 1998

AUG 23 2001

1st RP II

Public Service Commission
MISSOURI

MISSOURI
Public Service Commission

ISSUED:
May 15, 1998

BY: Richard D. Lawson
State Executive, External Affairs
319 Madison
Jefferson City, MO 65101

EFFECTIVE:
June 16, 1998

GENERAL EXCHANGE TARIFF

EMBARQ MISSOURI, INC
d/b/a EMBARQ

First Revised Page 12 (C)
Cancels Original Page 12 (C)

FRAME RELAY SERVICE

VII. SERVICE COMPONENTS

- A. Frame Relay Access Line (FRAL) - A nonrecurring charge and monthly rate apply based on the speed of the port connection for each physical connection. The FRAL includes the provision of a port.
- B. Frame Relay Access Port (FRAP) - A nonrecurring charge and monthly rate based on the speed of the port connection applies per port connection to the network supporting FRS. The port rate element can be used in lieu of the FRAL element if the customer has an alternative Company-approved means of access to the Frame Relay Network (such as DigiLink/TransLink).
- C. CIR and PVC - A monthly rate applies for each PVC based on the CIR requested by the customer. If no CIR is indicated, the CIR will be set at the default of 50% of the associated Frame Relay Port. A nonrecurring charge applies for the establishment of each PVC and for each subsequent order of PVC(s). A separate rate is established for PVCs that are IntraLATA and for PVCs that are InterLATA.

(MT)

Customers may select from three different classes of PVCs to ensure greater reliability for mission-critical applications in the event of network congestion:

- Standard Priority - Frame for LAN
- Higher Priority - Frame for SNA
- Highest Priority - Frame for Voice

(MT)

This flexibility helps to ensure maximum performance and satisfaction for individual customer data applications.

- D. Administrative Charge – Applies to changes in a customer’s network configuration such as additions or changes of PVCs. Although multiple changes can be caused by such actions, only one administrative charge applies.
- E. Private Network-to-Network Interface (Private NNI) - A charge for a DS1 facility from a customer’s FRS switch location to the Telephone Company’s FRS Network. In addition to the access facility, a 1.544 FRAP will be purchased.
- F. Frame to Asynchronous Transfer Mode (ATM) Inter-Networking Links - The Telephone Company may establish facilities between FRS switching equipment and ATM Service switching equipment and may allow customers to share bandwidth on these facilities. Where these shared facilities are available to customers, the Frame to ATM Inter-Networking Link option exists. In addition to the FRS Customer Connection, the customer may subscribe to a Frame to ATM Inter-Networking Link. Links that extend between Frame Relay and ATM switches must have an associated CIR. One PVC exists between both customer premises through the Link. All CIRs on this PVC must have the same value. Frame to ATM Inter-Networking Links are only available where such facilities exist.

(MT) Material now appearing on this page previously appeared on First Revised Page 11.

ISSUED:
May 31, 2006

BY: Chad Eckhart
Vice President, Regulatory Affairs
6450 Sprint Parkway
Overland Park, Kansas 66251

EFFECTIVE:
June 30, 2006

GENERAL EXCHANGE TARIFF

PRINT MISSOURI, INC.
d/b/a SPRINT

Original Page 12

FRAME RELAY SERVICE

VII. SERVICE COMPONENTS (Cont'd)

C. (Cont'd)

Customers may select from three different classes of PVCs to ensure greater reliability for mission-critical applications in the event of network congestion:

- Standard Priority - Frame for LAN
- Higher Priority - Frame for SNA
- Highest Priority - Frame for Voice

This flexibility helps to ensure maximum performance and satisfaction for individual customer data applications.

- D. Administrative Charge - Applies to changes in a customer's network configuration such as additions or changes of PVCs. Although multiple changes can be caused by such actions, only one administrative charge applies.
- E. Private Network-to-Network Interface (Private NNI) - A charge for a DSL facility from a customer's FRS switch location to the Telephone Company's FRS Network. In addition to the access facility, a 1.544 FRAP will be purchased.
- F. Frame to Asynchronous Transfer Mode (ATM) Inter-Networking Links - The Telephone Company may establish facilities between FRS switching equipment and ATM Service switching equipment and may allow customers to share bandwidth on these facilities. Where these shared facilities are available to customers, the Frame to ATM Inter-Networking Link option exists. In addition to the FRS Customer Connection, the customer may subscribe to a Frame to ATM Inter-Networking Link. Links that extend between Frame Relay and ATM switches must have an associated CIR. One PVC exists between both customer premises through the Link. All CIRs on this PVC must have the same value. Frame to ATM Inter-Networking Links are only available where such facilities exist.

ISSUED:
May 15, 1998

BY: Richard D. Lawson
State Executive, External Affairs
319 Madison
Jefferson City, MO 65101

EFFECTIVE:
June 16, 1998

Cancelled

June 30, 2006

Missouri Public
Service Commission

Filed

Missouri Public
Service Commission

GENERAL EXCHANGE TARIFF

SPRINT MISSOURI, INC.
d/b/a SPRINT

First Revised Page 13
Cancels Original Page 13

FRAME RELAY SERVICE

VII. SERVICE COMPONENTS (Cont'd)

G. Gateway Service - This service allows the Telephone Company FRS customers to interconnect to another FRS Network. The service is available wherever the Telephone Company has established a network interface with another private or public frame relay network. The charge for this service covers the facility from the Telephone Company FRS port to the interconnecting FRS of another company. The charge includes the software defined PVC to the other company's network to the UNI port, but does not include the UNI port provided by the other company. The Gateway charge is purchased in increments of CIR. The following diagram shows a typical customer network that has three data devices interconnected to the Telephone Company FRS (sites D, E & F). The customer needs to interconnect their data devices to a fourth site (C) located on the FRS of another company. The customer accomplishes this by ordering three PVCs and three Gateway service connections to the other company's FRS Network. This example assumes that frame relay access from site C is already established as illustrated **on Page 14.**

(T)

H. **Utilization Reports - Reports that the customer can order that display certain circuit utilization statistics for Permanent Virtual Circuits (PVC) and Frame Relay Access Ports (FRAP). The PVC report summarizes inbound and outbound packet discards and displays utilization as a percentage of CIR. The FRAP report summarizes inbound and outbound packet discards and displays utilization as a percent of port speed. Reports are ordered on a per port basis. Service is not available to NNI locations. A monthly plan and Term Discount Plans are available for fixed periods of 12 to 60 months. Reports are available only where Company facilities permit.**

(N)

(N)

ISSUED:
March 30, 2001

BY: Richard D. Lawson
State Executive, External Affairs
319 Madison
Jefferson City, MO 65101

EFFECTIVE:
April 30, 2001

GENERAL EXCHANGE TARIFF

SPRINT MISSOURI, INC.
d/b/a SPRINT

RECEIVED
Original Page 13
MAY 15 1998

FRAME RELAY SERVICE

MO. PUBLIC SERVICE COMM

VII. SERVICE COMPONENTS (Cont'd)

G. Gateway Service - This service allows the Telephone Company FRS customers to interconnect to another FRS Network. The service is available wherever the Telephone Company has established a network interface with another private or public frame relay network. The charge for this service covers the facility from the Telephone Company FRS port to the interconnecting FRS of another company. The charge includes the software defined PVC to the other company's network to the UNI port, but does not include the UNI port provided by the other company. The Gateway charge is purchased in increments of CIR. The following diagram shows a typical customer network that has three data devices interconnected to the Telephone Company FRS (sites D, E & F). The customer needs to interconnect their data devices to a fourth site (C) located on the FRS of another company. The customer accomplishes this by ordering three PVCs and three Gateway service connections to the other company's FRS Network. This example assumes that frame relay access from site C is already established as illustrated.

CANCELLED

APR 30 2001

E, 1st RP 13
Public Service Commission
MISSOURI

FILED

JUN 16 1998

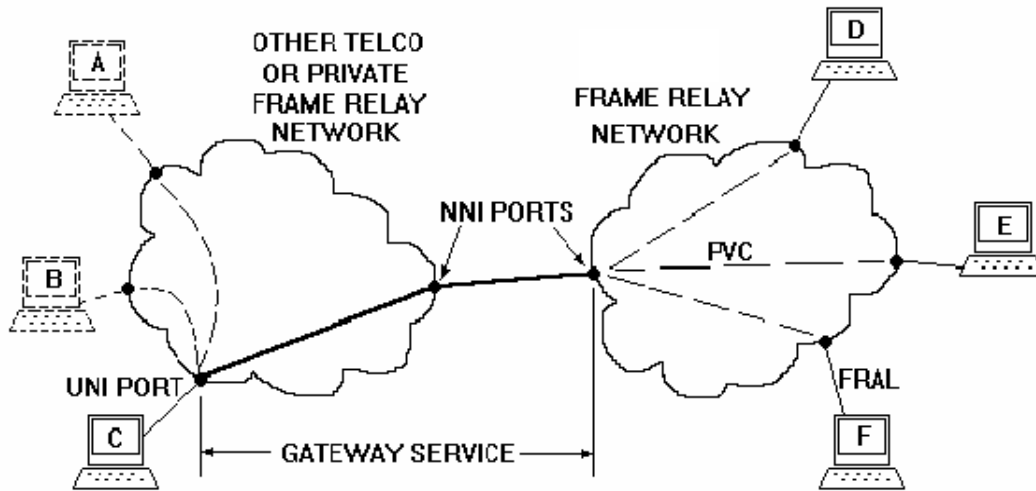
MISSOURI
Public Service Commission
EFFECTIVE:
June 16, 1998

ISSUED:
May 15, 1998

BY: Richard D. Lawson
State Executive, External Affairs
319 Madison
Jefferson City, MO 65101

FRAME RELAY SERVICE

GATEWAY SERVICE



(T)

ISSUED:
September 8, 2006

BY: Darlene N. Terry
Manager - Tariffs
5454 W. 110th Street
Overland Park, KS 66211

EFFECTIVE:
~~October 8, 2006~~
October 13, 2006

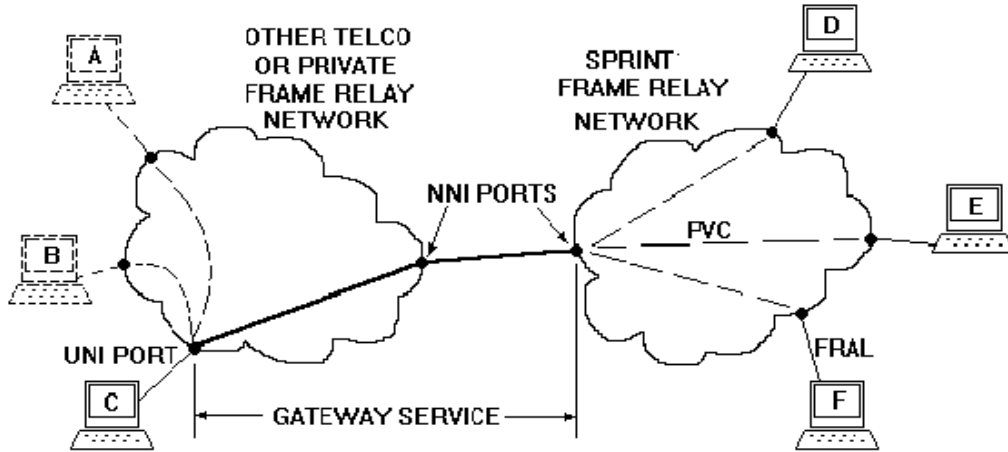
GENERAL EXCHANGE TARIFF

SPRINT MISSOURI, INC.
d/b/a SPRINT

Original Page 14

FRAME RELAY SERVICE

GATEWAY SERVICE



ISSUED:
May 15, 1998

BY: Richard D. Lawson
State Executive, External Affairs
319 Madison
Jefferson City, MO 65101

EFFECTIVE:
June 16, 1998

Cancelled

October 13, 2006
Missouri Public
Service Commission

Filed

Missouri Public
Service Commission

GENERAL EXCHANGE TARIFF

Embarq Missouri, Inc.
d/b/a Embarq

Third Revised Page 15
Cancels Second Revised Page 15

FRAME RELAY SERVICE

VIII. RATES AND CHARGES

A. Frame Relay Access Line (FRAL) (includes Access Line and Port)

	<u>S&E Code</u>	<u>Monthly Rate</u>	<u>NRC</u>	
56 Kbps				
Month to month	FCEALTA	\$125.00	\$275.00	
12-23 months	FCEALTA(F1Y)	\$110.00	N/A	
24-35 month	FCEALTA(F2Y)	\$100.00	N/A	
36-59 months	FCEALTA(F3Y)	\$95.00	N/A	
60-84 months	FCEALTA(F5Y)	\$80.00	N/A	
64 Kbps*				
Month to month	FCEALTC	\$130.00	\$300.00	
12-23 months	FCEALTC(F1Y)	\$115.00	N/A	
24-35 months	FCEALTC(F2Y)	\$105.00	N/A	
36-59 months	FCEALTC(F3Y)	\$100.00	N/A	
60-84 months	FCEALTC(F5Y)	\$85.00	N/A	
128 Kbps				
Month to month	FCEALTD	\$290.00	\$350.00	(1)
12-23 months	FCEALTD(F1Y)	\$255.00	N/A	
24-35 months	FCEALTD(F2Y)	\$250.00	N/A	
36-59 months	FCEALTD(F3Y)	\$186.00	N/A	
60-84 months	FCEALTD(F5Y)	\$159.00	N/A	(1)
256 Kbps				
Month to month	FCEALTE	\$290.00	\$375.00	
12-23 months	FCEALTE(F1Y)	\$255.00	N/A	
24-35 months	FCEALTE(F2Y)	\$250.00	N/A	
36-59 months	FCEALTE(F3Y)	\$240.00	N/A	
60-84 months	FCEALTE(F5Y)	\$210.00	N/A	
384 Kbps				
Month to month	FCEALTF	\$490.00	\$425.00	(1)
12-23 months	FCEALTF(F1Y)	\$435.00	N/A	
24-35 months	FCEALTF(F2Y)	\$385.00	N/A	
36-59 months	FCEALTF(F3Y)	\$330.00	N/A	
60-84 months	FCEALTF(F5Y)	\$290.00	N/A	(1)
512 Kbps				
Month to month	FCEALTG	\$490.00	\$475.00	(1)
12-23 months	FCEALTG(F1Y)	\$435.00	N/A	
24-35 months	FCEALTG(F2Y)	\$385.00	N/A	
36-59 months	FCEALTG(F3Y)	\$340.00	N/A	
60-84 months	FCEALTG(F5Y)	\$290.00	N/A	
1.544 Mbps				
Month to month	FCEALTB	\$575.00	\$575.00	(1)
12-23 months	FCEALTB(F1Y)	\$510.00	N/A	
24-35 months	FCEALTB(F2Y)	\$450.00	N/A	
36-59 months	FCEALTB(F3Y)	\$390.00	N/A	
60-84 months	FCEALTB(F5Y)	\$340.00	N/A	

* Where conditions allow

ISSUED:
January 20, 2009

BY: Darlene N. Terry
Manager - Tariffs

5454 W. 110th Street
Overland Park, Kansas 66211

EFFECTIVE:
February 1, 2009

GENERAL EXCHANGE TARIFF

**Embarq Missouri, Inc.
d/b/a Embarq**

Second Revised Page 15 (C)
Cancels First Revised Page 15 (C)

FRAME RELAY SERVICE

VIII. RATES AND CHARGES

A. Frame Relay Access Line (FRAL) (includes Access Line and Port)

	<u>S&E Code</u>	<u>Monthly Rate</u>	<u>NRC</u>	
56 Kbps				
Month to month	FCEALTA	\$125.00	\$275.00	(I)
12-23 months	FCEALTA(F1Y)	\$110.00	N/A	
24-35 months	FCEALTA(F2Y)	\$100.00	N/A	
36-59 months	FCEALTA(F3Y)	\$95.00	N/A	
60-84 months	FCEALTA(F5Y)	\$80.00	N/A	
64 Kbps*				
Month to month	FCEALTC	\$130.00	\$300.00	(I)
12-23 months	FCEALTC(F1Y)	\$115.00	N/A	
24-35 months	FCEALTC(F2Y)	\$105.00	N/A	
36-59 months	FCEALTC(F3Y)	\$100.00	N/A	
60-84 months	FCEALTC(F5Y)	\$85.00	N/A	
128 Kbps				
Month to month	FCEALTD	\$210.00	\$350.00	(I)
12-23 months	FCEALTD(F1Y)	\$195.00	N/A	
24-35 months	FCEALTD(F2Y)	\$185.00	N/A	
36-59 months	FCEALTD(F3Y)	\$170.00	N/A	
60-84 months	FCEALTD(F5Y)	\$145.00	N/A	
256 Kbps				
Month to month	FCEALTE	\$290.00	\$375.00	(I)
12-23 months	FCEALTE(F1Y)	\$255.00	N/A	
24-35 months	FCEALTE(F2Y)	\$250.00	N/A	
36-59 months	FCEALTE(F3Y)	\$240.00	N/A	
60-84 months	FCEALTE(F5Y)	\$210.00	N/A	
384 Kbps				
Month to month	FCEALTF	\$375.00	\$425.00	(I)
12-23 months	FCEALTF(F1Y)	\$350.00	N/A	
24-35 months	FCEALTF(F2Y)	\$345.00	N/A	
36-59 months	FCEALTF(F3Y)	\$300.00	N/A	
60-84 months	FCEALTF(F5Y)	\$255.00	N/A	
512 Kbps				
Month to month	FCEALTG	\$455.00	\$475.00	(I)
12-23 months	FCEALTG(F1Y)	\$435.00	N/A	
24-35 months	FCEALTG(F2Y)	\$385.00	N/A	
36-59 months	FCEALTG(F3Y)	\$340.00	N/A	
60-84 months	FCEALTG(F5Y)	\$290.00	N/A	
1.544 Mbps				
Month to month	FCEALTB	\$540.00	\$575.00	(I)
12-23 months	FCEALTB(F1Y)	\$510.00	N/A	
24-35 months	FCEALTB(F2Y)	\$450.00	N/A	
36-59 months	FCEALTB(F3Y)	\$390.00	N/A	
60-84 months	FCEALTB(F5Y)	\$340.00	N/A	

* Where conditions allow

ISSUED:
December 3, 2007

BY: Darlene N. Terry
Manager - Tariffs
5454 W. 110th Street
Overland Park, Kansas 66211

EFFECTIVE:
January 30, 2008

CANCELLED
February 1, 2009
Missouri Public
Service Commission
JI-2009-0528

FILED
Missouri Public
Service Commission

FRAME RELAY SERVICE

VIII. RATES AND CHARGES

A. Frame Relay Access Line (FRAL) (includes Access Line and Port)

	S&E Code	Monthly Rate	NRC
56 Kbps			
Month to month	FCEALTA	\$120.00	\$275.00
12-23 months	FCEALTA(F1Y)		
\$110.00	N/A		(CR)
24-35 months	FCEALTA(F2Y)		(CR)
\$100.00	N/A		(CR)
36-59 months	FCEALTA(F3Y)		(CR)
\$95.00	N/A		(CR)
60-84 months	FCEALTA(F5Y)		(CR)
\$80.00	N/A		(CR)
64 Kbps*			
Month to month	FCEALTC	\$125.00	\$300.00 (CR)
12-23 months	FCEALTC(F1Y)	\$115.00	N/A (CR)
24-35 months	FCEALTC(F2Y)	\$105.00	N/A (CR)
36-59 months	FCEALTC(F3Y)	\$100.00	N/A (CR)
60-84 months	FCEALTC(F5Y)	\$85.00	N/A (CR)
128 Kbps			
Month to month	FCEALTD	\$205.00	\$350.00 (CR)
12-23 months	FCEALTD(F1Y)	\$195.00	N/A (CR)
24-35 months	FCEALTD(F2Y)	\$185.00	N/A (CR)
36-59 months	FCEALTD(F3Y)	\$170.00	N/A (CR)
60-84 months	FCEALTD(F5Y)	\$145.00	N/A (CR)
256 Kbps			
Month to month	FCEALTE	\$285.00	\$375.00 (CR)
12-23 months	FCEALTE(F1Y)	\$255.00	N/A (CR)
24-35 months	FCEALTE(F2Y)	\$250.00	N/A (CR)
36-59 months	FCEALTE(F3Y)	\$240.00	N/A (CR)
60-84 months	FCEALTE(F5Y)	\$210.00	N/A (CR)
384 Kbps			
Month to month	FCEALTF	\$370.00	\$425.00 (CR)
12-23 months	FCEALTF(F1Y)	\$350.00	N/A (CR)
24-35 months	FCEALTF(F2Y)	\$345.00	N/A (CR)
36-59 months	FCEALTF(F3Y)	\$300.00	N/A (CR)
60-84 months	FCEALTF(F5Y)	\$255.00	N/A (CR)
512 Kbps			
Month to month	FCEALTG	\$450.00	\$475.00 (CR)
12-23 months	FCEALTG(F1Y)	\$435.00	N/A (CR)
24-35 months	FCEALTG(F2Y)	\$385.00	N/A (CR)
36-59 months	FCEALTG(F3Y)	\$340.00	N/A (CR)
60-84 months	FCEALTG(F5Y)	\$290.00	N/A (CR)
1.544 Mbps			
Month to month	FCEALTB	\$535.00	\$575.00 (CR)
12-23 months	FCEALTB(F1Y)	\$510.00	N/A (CR)
24-35 months	FCEALTB(F2Y)	\$450.00	N/A (CR)
36-59 months	FCEALTB(F3Y)	\$390.00	N/A (CR)
60-84 months	FCEALTB(F5Y)	\$340.00	N/A (CR)

* Where conditions allow

ISSUED:
 October 27, 1999

BY: Richard D. Lawson
 State Executive, External Affairs
 319 Madison
 Jefferson City, MO 65101

EFFECTIVE:
 November 26, 1999

CANCELLED
 January 30, 2008
 Missouri Public
 Service Commission

FILED
 Missouri Public
 Service Commission

GENERAL EXCHANGE TARIFF

RECEIVED

SPRINT MISSOURI, INC.
d/b/a SPRINT

Original Rate 1998
MAY 15 1998

FRAME RELAY SERVICE

VIII. RATES AND CHARGES

MO. PUBLIC SERVICE COMM

A. Frame Relay Access Line (FRAL) (includes Access Line and Port)

	S&E Code	Monthly Rate	NRC
56 Kbps			
Month to month	FCEALTA	\$120.00	\$275.00
12-23 months	FCEALTA(F1Y)	\$110.00	N/A
24-35 months	FCEALTA(F2Y)	\$96.00	N/A
36-59 months	FCEALTA(F3Y)	\$90.00	N/A
60-84 months	FCEALTA(F5Y)	\$75.00	N/A
64 Kbps*			
Month to month	FCEALTC	\$125.00	\$295.00
12-23 months	FCEALTC(F1Y)	\$115.00	N/A
24-35 months	FCEALTC(F2Y)	\$100.00	N/A
36-59 months	FCEALTC(F3Y)	\$95.00	N/A
60-84 months	FCEALTC(F5Y)	\$80.00	N/A
128 Kbps			
Month to month	FCEALTD	\$225.00	\$350.00
12-23 months	FCEALTD(F1Y)	\$205.00	N/A
24-35 months	FCEALTD(F2Y)	\$180.00	N/A
36-59 months	FCEALTD(F3Y)	\$160.00	N/A
60-84 months	FCEALTD(F5Y)	\$135.00	N/A
256 Kbps			
Month to month	FCEALTE	\$325.00	\$375.00
12-23 months	FCEALTE(F1Y)	\$295.00	N/A
24-35 months	FCEALTE(F2Y)	\$260.00	N/A
36-59 months	FCEALTE(F3Y)	\$225.00	N/A
60-84 months	FCEALTE(F5Y)	\$195.00	N/A
384 Kbps			
Month to month	FCEALTF	\$400.00	\$425.00
12-23 months	FCEALTF(F1Y)	\$360.00	N/A
24-35 months	FCEALTF(F2Y)	\$320.00	N/A
36-59 months	FCEALTF(F3Y)	\$280.00	N/A
60-84 months	FCEALTF(F5Y)	\$240.00	N/A
512 Kbps			
Month to month	FCEALTG	\$450.00	\$475.00
12-23 months	FCEALTG(F1Y)	\$405.00	N/A
24-35 months	FCEALTG(F2Y)	\$360.00	N/A
36-59 months	FCEALTG(F3Y)	\$315.00	N/A
60-84 months	FCEALTG(F5Y)	\$270.00	N/A
1.544 Mbps			
Month to month	FCEALTB	\$525.00	\$575.00
12-23 months	FCEALTB(F1Y)	\$475.00	N/A
24-35 months	FCEALTB(F2Y)	\$420.00	N/A
36-59 months	FCEALTB(F3Y)	\$365.00	N/A
60-84 months	FCEALTB(F5Y)	\$315.00	N/A

CANCELLED

NOV 26 1999
By *LSRS #15*
Public Service Commission
MISSOURI

* Where conditions allow

ISSUED:
May 15, 1998

BY: Richard D. Lawson
State Executive, External Affairs
319 Madison
Jefferson City, MO 65101

FILED
EFFECTIVE:
June 16, 1998
JUN 16 1998

MISSOURI
Public Service Commission

GENERAL EXCHANGE TARIFF

Embarq Missouri, Inc.
d/b/a Embarq

Second Revised Page 15.1
Cancels First Revised Page 15.1

FRAME RELAY SERVICE

VIII. RATES AND CHARGES (Cont'd)

A. Frame Relay Access Line (FRAL) (includes Access Line and Port) (Cont'd)

	<u>S&E Code</u>	<u>Monthly Rate</u>	<u>Nonrecurring Charge</u>	
*3 Mbps (2xDS1)				
Month to month	FCEALTM	\$ 810.00	\$575.00	
12-23 months	FCEALTM(F1Y)	\$ 650.00	N/A	
24-35 months	FCEALTM(F2Y)	\$ 600.00	N/A	
36-59 months	FCEALTM(F3Y)	\$ 550.00	N/A	
60-84 months	FCEALTM(F5Y)	\$ 500.00	N/A	
*6 Mbps (4xDS1)				
Month to month	FCEALTN	\$1,385.00	\$575.00	
12-23 months	FCEALTN(F1Y)	\$1,225.00	N/A	
24-35 months	FCEALTN(F2Y)	\$1,125.00	N/A	
36-59 months	FCEALTN(F3Y)	\$1,050.00	N/A	
60-84 months	FCEALTN(F5Y)	\$1,000.00	N/A	
*10.5 Mbps (7xDS1)				
Month to month	FCEALTY	\$2,120.00	\$575.00	
12-23 months	FCEALTY(F1Y)	\$1,950.00	N/A	
24-35 months	FCEALTY(F2Y)	\$1,850.00	N/A	
36-59 months	FCEALTY(F3Y)	\$1,775.00	N/A	
60-84 months	FCEALTY(F5Y)	\$1,725.00	N/A	
*12 Mbps (8xDS1)				
Month to month	FCEALTZ	\$2,500.00	\$575.00	(1)
12-23 months	FCEALTZ(F1Y)	\$2,220.00	N/A	
24-35 months	FCEALTZ(F2Y)	\$2,100.00	N/A	
36-59 months	FCEALTZ(F3Y)	\$2,025.00	N/A	
60-84 months	FCEALTZ(F5Y)	\$1,975.00	N/A	

* Where facilities are available. CPE must be compliant with Frame Relay Forum.16 (FRF.16), Multilink Frame Relay Protocol Industry Standard.

ISSUED:
January 20, 2009

BY: Darlene N. Terry
Manager - Tariffs
5454 W. 110th Street
Overland Park, Kansas 66211

EFFECTIVE:
February 1, 2009

GENERAL EXCHANGE TARIFF

Embarq Missouri, Inc.
d/b/a Embarq

First Revised Page 15.1
Cancels Original Page 15.1

FRAME RELAY SERVICE

VIII. RATES AND CHARGES (Cont'd)

A. Frame Relay Access Line (FRAL) (includes Access Line and Port) (Cont'd)

	<u>S&E Code</u>	<u>Monthly Rate</u>	<u>Nonrecurring Charge</u>	
*3 Mbps (2xDS1)				
Month to month	FCEALTM	\$810.00	\$575.00	(I)
12-23 months	FCEALTM(F1Y)	\$650.00	N/A	
24-35 months	FCEALTM(F2Y)	\$600.00	N/A	
36-59 months	FCEALTM(F3Y)	\$550.00	N/A	
60-84 months	FCEALTM(F5Y)	\$500.00	N/A	
*6 Mbps (4xDS1)				
Month to month	FCEALTN	\$1,385.00	\$575.00	(I)
12-23 months	FCEALTN(F1Y)	\$1,225.00	N/A	
24-35 months	FCEALTN(F2Y)	\$1,125.00	N/A	
36-59 months	FCEALTN(F3Y)	\$1,050.00	N/A	
60-84 months	FCEALTN(F5Y)	\$1,000.00	N/A	
*10.5 Mbps (7xDS1)				
Month to month	FCEALTY	\$2,120.00	\$575.00	(I)
12-23 months	FCEALTY(F1Y)	\$1,950.00	N/A	
24-35 months	FCEALTY(F2Y)	\$1,850.00	N/A	
36-59 months	FCEALTY(F3Y)	\$1,775.00	N/A	
60-84 months	FCEALTY(F5Y)	\$1,725.00	N/A	
*12 Mbps (8xDS1)				
Month to month	FCEALTZ	\$2,370.00	\$575.00	(I)
12-23 months	FCEALTZ(F1Y)	\$2,220.00	N/A	
24-35 months	FCEALTZ(F2Y)	\$2,100.00	N/A	
36-59 months	FCEALTZ(F3Y)	\$2,025.00	N/A	
60-84 months	FCEALTZ(F5Y)	\$1,975.00	N/A	

* Where facilities are available. CPE must be compliant with Frame Relay Forum.16 (FRF.16), Multilink Frame Relay Protocol Industry Standard.

ISSUED:
December 3, 2007

BY: Darlene N. Terry
Manager - Tariffs
5454 W. 110th Street
Overland Park, Kansas 66211

EFFECTIVE:
January 30, 2008

CANCELLED
February 1, 2009
Missouri Public
Service Commission
JI-2009-0528

FILED
Missouri Public
Service Commission

GENERAL EXCHANGE TARIFF

Embarq Missouri, Inc.
d/b/a Embarq

Original Page 15.1

FRAME RELAY SERVICE

VIII. RATES AND CHARGES (Cont'd)

A. Frame Relay Access Line (FRAL) (includes Access Line and Port) (Cont'd)

	<u>S&E Code</u>	<u>Monthly Rate</u>	<u>Nonrecurring Charge</u>
*3 Mbps (2xDS1)			
Month to month	FCEALTM	\$800.00	\$575.00
12-23 months	FCEALTM(F1Y)	\$650.00	N/A
24-35 months	FCEALTM(F2Y)	\$600.00	N/A
36-59 months	FCEALTM(F3Y)	\$550.00	N/A
60-84 months	FCEALTM(F5Y)	\$500.00	N/A
*6 Mbps (4xDS1)			
Month to month	FCEALTN	\$1,375.00	\$575.00
12-23 months	FCEALTN(F1Y)	\$1,225.00	N/A
24-35 months	FCEALTN(F2Y)	\$1,125.00	N/A
36-59 months	FCEALTN(F3Y)	\$1,050.00	N/A
60-84 months	FCEALTN(F5Y)	\$1,000.00	N/A
*10.5 Mbps (7xDS1)			
Month to month	FCEALTY	\$2,100.00	\$575.00
12-23 months	FCEALTY(F1Y)	\$1,950.00	N/A
24-35 months	FCEALTY(F2Y)	\$1,850.00	N/A
36-59 months	FCEALTY(F3Y)	\$1,775.00	N/A
60-84 months	FCEALTY(F5Y)	\$1,725.00	N/A
*12 Mbps (8xDS1)			
Month to month	FCEALTZ	\$2,350.00	\$575.00
12-23 months	FCEALTZ(F1Y)	\$2,220.00	N/A
24-35 months	FCEALTZ(F2Y)	\$2,100.00	N/A
36-59 months	FCEALTZ(F3Y)	\$2,025.00	N/A
60-84 months	FCEALTZ(F5Y)	\$1,975.00	N/A

* Where facilities are available. CPE must be compliant with Frame Relay Forum.16 (FRF.16), Multilink Frame Relay Protocol Industry Standard.

ISSUED:
March 16, 2007

BY: Darlene N. Terry
Manager - Tariffs
5454 W. 110th Street
Overland Park, Kansas 66211

EFFECTIVE:
April 15, 2007

GENERAL EXCHANGE TARIFF

Embarq Missouri, Inc.
d/b/a Embarq

Third Revised Page 16
Cancels Second Revised Page 16

FRAME RELAY SERVICE

VIII. RATES AND CHARGES (Cont'd)

This page is reserved for future use.

(T)
(D)

(D)

ISSUED:
January 20, 2009

BY: Darlene N. Terry
Manager - Tariffs
5454 W. 110th Street
Overland Park, Kansas 66211

EFFECTIVE:
February 1, 2009

GENERAL EXCHANGE TARIFF

Embarq Missouri, Inc.
d/b/a Embarq

Second Revised Page 16 (C)
 Cancels First Revised Page 16 (C)

FRAME RELAY SERVICE

VIII. RATES AND CHARGES (Cont'd)

B. Frame Relay Port (FRAP) Only

	<u>S&E Code</u>	<u>Monthly Rate</u>	<u>NRC</u>	
56 Kbps				
Month to month	FCEALA0	\$90.00	\$125.00	(I)
12-23 months	FCEALA0(F1Y)	\$80.00	N/A	
24-35 months	FCEALA0(F2Y)	\$70.00	N/A	
36-59 months	FCEALA0(F3Y)	\$60.00	N/A	
60-84 months	FCEALA0(F5Y)	\$55.00	N/A	
64 Kbps*				
Month to month	FCEALC0	\$95.00	\$150.00	(I)
12-23 months	FCEALC0(F1Y)	\$85.00	N/A	
24-35 months	FCEALC0(F2Y)	\$75.00	N/A	
36-59 months	FCEALC0(F3Y)	\$70.00	N/A	
60-84 months	FCEALC0(F5Y)	\$60.00	N/A	
128 Kbps				
Month to month	FCEALD0	\$120.00	\$200.00	(I)
12-23 months	FCEALD0(F1Y)	\$105.00	N/A	
24-35 months	FCEALD0(F2Y)	\$95.00	N/A	
36-59 months	FCEALD0(F3Y)	\$85.00	N/A	
60-84 months	FCEALD0(F5Y)	\$70.00	N/A	
256 Kbps				
Month to month	FCEALE0	\$170.00	\$250.00	(I)
12-23 months	FCEALE0(F1Y)	\$155.00	N/A	
24-35 months	FCEALE0(F2Y)	\$140.00	N/A	
36-59 months	FCEALE0(F3Y)	\$125.00	N/A	
60-84 months	FCEALE0(F5Y)	\$110.00	N/A	
384 Kbps				
Month to month	FCEALF0	\$205.00	\$275.00	(I)
12-23 months	FCEALF0(F1Y)	\$180.00	N/A	
24-35 months	FCEALF0(F2Y)	\$175.00	N/A	
36-59 months	FCEALF0(F3Y)	\$170.00	N/A	
60-84 months	FCEALF0(F5Y)	\$160.00	N/A	
512 Kbps				
Month to month	FCEALG0	\$285.00	300.00	(I)
12-23 months	FCEALG0(F1Y)	\$255.00	N/A	
24-35 months	FCEALG0(F2Y)	\$245.00	N/A	
36-59 months	FCEALG0(F3Y)	\$230.00	N/A	
60-84 months	FCEALG0(F5Y)	\$210.00	N/A	

* Where conditions allow

ISSUED:
 December 3, 2007

BY: Darlene N. Terry
 Manager - Tariffs
 5454 W. 110th Street
 Overland Park, Kansas 66211

EFFECTIVE:
 January 30, 2008

CANCELLED
 February 1, 2009
 Missouri Public
 Service Commission
 JI-2009-0528

FILED
 Missouri Public
 Service Commission

FRAME RELAY SERVICE

VIII. RATES AND CHARGES (Cont'd)

B. Frame Relay Port (FRAP) Only

	S&E Code	Monthly Rate	NRC
56 Kbps			
Month to month	FCEALAO	\$85.00	\$125.00
12-23 months	FCEALAO(F1Y)		(CR)
\$80.00	N/A		(CR)
24-35 months	FCEALAO(F2Y)		(CR)
\$70.00	N/A		(CR)
36-59 months	FCEALAO(F3Y)		(CR)
\$60.00	N/A		(CR)
60-84 months	FCEALAO(F5Y)		(CR)
\$55.00	N/A		(CR)
64 Kbps*			
Month to month	FCEALC0	\$90.00	\$150.00 (CR)
12-23 months	FCEALC0(F1Y)	\$85.00	N/A
24-35 months	FCEALC0(F2Y)	\$75.00	N/A
36-59 months	FCEALC0(F3Y)	\$70.00	N/A (CR)
60-84 months	FCEALC0(F5Y)	\$60.00	N/A
128 Kbps			(CR)
Month to month	FCEALD0	\$115.00	\$200.00 (CR)
12-23 months	FCEALD0(F1Y)	\$105.00	N/A
24-35 months	FCEALD0(F2Y)	\$95.00	N/A (CR)
36-59 months	FCEALD0(F3Y)	\$85.00	N/A (CR)
60-84 months	FCEALD0(F5Y)	\$70.00	N/A
256 Kbps			(CR)
Month to month	FCEALE0	\$165.00	\$250.00 (CR)
12-23 months	FCEALE0(F1Y)	\$155.00	N/A
24-35 months	FCEALE0(F2Y)	\$140.00	N/A (CR)
36-59 months	FCEALE0(F3Y)	\$125.00	N/A
60-84 months	FCEALE0(F5Y)	\$110.00	N/A
384 Kbps			(CR)
Month to month	FCEALF0	\$195.00	\$275.00 (CR)
12-23 months	FCEALF0(F1Y)	\$180.00	N/A
24-35 months	FCEALF0(F2Y)	\$175.00	N/A (CR)
36-59 months	FCEALF0(F3Y)	\$170.00	N/A
60-84 months	FCEALF0(F5Y)	\$160.00	N/A
512 Kbps			(CR)
Month to month	FCEALG0	\$275.00	300.00 (CR)
12-23 months	FCEALG0(F1Y)	\$255.00	N/A
24-35 months	FCEALG0(F2Y)	\$245.00	N/A
36-59 months	FCEALG0(F3Y)	\$230.00	N/A
60-84 months	FCEALG0(F5Y)	\$210.00	N/A

* Where conditions allow

ISSUED:
 October 27, 1999

BY: Richard D. Lawson
 State Executive, External Affairs
 319 Madison
 Jefferson City, MO 65101

EFFECTIVE:
 November 26, 1999

CANCELLED
 January 30, 2008
 Missouri Public
 Service Commission

FILED
 Missouri Public
 Service Commission

GENERAL EXCHANGE TARIFF

SPRINT MISSOURI, INC.
d/b/a SPRINT

RECEIVED
Original Page 16
MAY 15 1998

FRAME RELAY SERVICE

MO. PUBLIC SERVICE COMM

VIII. RATES AND CHARGES (Cont'd)

B. Frame Relay Port (FRAP) Only

	S&E Code	Monthly Rate	NRC
56 Kbps			
Month to month	FCEALAO	\$85.00	\$125.00
12-23 months	FCEALAO(F1Y)	\$77.00	N/A
24-35 months	FCEALAO(F2Y)	\$68.00	N/A
36-59 months	FCEALAO(F3Y)	\$60.00	N/A
60-84 months	FCEALAO(F5Y)	\$51.00	N/A
64 Kbps*			
Month to month	FCEALCO	\$90.00	\$150.00
12-23 months	FCEALCO(F1Y)	\$82.00	N/A
24-35 months	FCEALCO(F2Y)	\$72.00	N/A
36-59 months	FCEALCO(F3Y)	\$65.00	N/A
60-84 months	FCEALCO(F5Y)	\$56.00	N/A
128 Kbps			
Month to month	FCEALDO	\$115.00	\$200.00
12-23 months	FCEALDO(F1Y)	\$104.00	N/A
24-35 months	FCEALDO(F2Y)	\$92.00	N/A
36-59 months	FCEALDO(F3Y)	\$81.00	N/A
60-84 months	FCEALDO(F5Y)	\$69.00	N/A
256 Kbps			
Month to month	FCEALEO	\$175.00	\$250.00
12-23 months	FCEALEO(F1Y)	\$158.00	N/A
24-35 months	FCEALEO(F2Y)	\$140.00	N/A
36-59 months	FCEALEO(F3Y)	\$123.00	N/A
60-84 months	FCEALEO(F5Y)	\$105.00	N/A
384 Kbps			
Month to month	FCEALFO	\$250.00	\$275.00
12-23 months	FCEALFO(F1Y)	\$225.00	N/A
24-35 months	FCEALFO(F2Y)	\$200.00	N/A
36-59 months	FCEALFO(F3Y)	\$175.00	N/A
60-84 months	FCEALFO(F5Y)	\$150.00	N/A
512 Kbps			
Month to month	FCEALGO	\$325.00	300.00
12-23 months	FCEALGO(F1Y)	\$293.00	N/A
24-35 months	FCEALGO(F2Y)	\$260.00	N/A
36-59 months	FCEALGO(F3Y)	\$228.00	N/A
60-84 months	FCEALGO(F5Y)	\$195.00	N/A

CANCELLED

FILED

* Where conditions allow

NOV 26 1999

JUN 16 1998

By *RS#16*
Public Service Commission
MISSOURI

MISSOURI
Public Service Commission
EFFECTIVE:

ISSUED:
May 15, 1998

BY: Richard D. Lawson
State Executive, External Affairs
319 Madison
Jefferson City, MO 65101

June 16, 1998

GENERAL EXCHANGE TARIFF

Embarq Missouri, Inc.
d/b/a Embarq

Fifth Revised Page 17
Cancels Fourth Revised Page 17

FRAME RELAY SERVICE

VIII. RATES AND CHARGES (Cont'd)

B. Frame Relay Port (FRAP) Only

	<u>S&E Code</u>	<u>Monthly Rate</u>	<u>NRC</u>
1.544 Mbps			
Month to month	FCEALB0	\$ 360.00	\$375.00
12-23 months	FCEALB0(F1Y)	\$ 320.00	N/A
24-35 months	FCEALB0(F2Y)	\$ 310.00	N/A
36-59 months	FCEALB0(F3Y)	\$ 300.00	N/A
60-84 months	FCEALB0(F5Y)	\$ 270.00	N/A
44.210 Mbps			
Month to month	FCEALH0	\$1,400.00	\$495.00
12-23 months	FCEALH0(F1Y)	\$1,245.00	N/A
24-35 months	FCEALH0(F2Y)	\$1,195.00	N/A
36-59 months	FCEALH0(F3Y)	\$1,095.00	N/A
60-84 months	FCEALH0(F5Y)	\$ 995.00	N/A

C. Permanent Virtual Circuit (PVC) – IntraLATA

<u>CIR, per PVC</u>	<u>S&E Code</u>	<u>Monthly Rate</u>	<u>NRC</u>	(C)
Over 0 thru 8 Kbps				
Frame for LAN	FCEALVL(AP3)	\$3.00	\$10.00	
Frame for SNA	FCEALVL(AP2)	\$3.00	\$15.00	
Frame for Voice	FCEALVL(AP1)	\$3.00	\$20.00	
Over 8 thru 16 Kbps				
Frame for LAN	FCEALVL(BP3)	\$4.00	\$10.00	
Frame for SNA	FCEALVL(BP2)	\$4.00	\$15.00	
Frame for Voice	FCEALVL(BP1)	\$4.00	\$20.00	
Over 16 thru 24 Kbps				
Frame for LAN	FCEALVL(CP3)	\$5.00	\$10.00	
Frame for SNA	FCEALVL(CP2)	\$5.00	\$15.00	
Frame for Voice	FCEALVL(CP1)	\$5.00	\$20.00	
Over 24 thru 32 Kbps				
Frame for LAN	FCEALVL(DP3)	\$5.77	\$10.00	
Frame for SNA	FCEALVL(DP2)	\$6.00	\$15.00	
Frame for Voice	FCEALVL(DP1)	\$6.00	\$20.00	
Over 32 thru 40 Kbps				
Frame for LAN	FCEALVL(EP3)	\$8.00	\$10.00	
Frame for SNA	FCEALVL(EP2)	\$8.00	\$15.00	
Frame for Voice	FCEALVL(EP1)	\$8.00	\$20.00	

(D)
(D)

ISSUED:
March 6, 2009

BY: Darlene N. Terry
Manager - Tariffs
5454 W. 110th Street
Overland Park, Kansas 66211

EFFECTIVE:
April 5, 2009

GENERAL EXCHANGE TARIFF

Embarq Missouri, Inc.
d/b/a EmbarqFourth Revised Page 17
Cancels Third Revised Page 17

FRAME RELAY SERVICE

VIII. RATES AND CHARGES (Cont'd)

B. Frame Relay Port (FRAP) **Only** (T)

	<u>S&E Code</u>	<u>Monthly Rate</u>	<u>NRC</u>	
1.544 Mbps				
Month to month	FCEALB0	\$ 360.00	\$375.00	(I)
12-23 months	FCEALB0(F1Y)	\$ 320.00	N/A	
24-35 months	FCEALB0(F2Y)	\$ 310.00	N/A	
36-59 months	FCEALB0(F3Y)	\$ 300.00	N/A	
60-84 months	FCEALB0(F5Y)	\$ 270.00	N/A	
44.210 Mbps				
Month to month	FCEALH0	\$1,400.00	\$495.00	(I)
12-23 months	FCEALH0(F1Y)	\$1,245.00	N/A	
24-35 months	FCEALH0(F2Y)	\$1,195.00	N/A	
36-59 months	FCEALH0(F3Y)	\$1,095.00	N/A	
60-84 months	FCEALH0(F5Y)	\$ 995.00	N/A	

C. Permanent Virtual Circuit (PVC) – IntraLATA

<u>CIR, per PVC</u>	<u>S&E Code</u>	<u>Monthly Rate</u>	<u>NRC</u> ⁽¹⁾	
Over 0 thru 8 Kbps				
Frame for LAN	FCEALVL(AP3)	\$3.00	\$10.00	(I)
Frame for SNA	FCEALVL(AP2)	\$3.00	\$15.00	(I)
Frame for Voice	FCEALVL(AP1)	\$3.00	\$20.00	(R)
Over 8 thru 16 Kbps				
Frame for LAN	FCEALVL(BP3)	\$4.00	\$10.00	(I)
Frame for SNA	FCEALVL(BP2)	\$4.00	\$15.00	(I)
Frame for Voice	FCEALVL(BP1)	\$4.00	\$20.00	(R)
Over 16 thru 24 Kbps				
Frame for LAN	FCEALVL(CP3)	\$5.00	\$10.00	(I)
Frame for SNA	FCEALVL(CP2)	\$5.00	\$15.00	(I)
Frame for Voice	FCEALVL(CP1)	\$5.00	\$20.00	(R)
Over 24 thru 32 Kbps				
Frame for LAN	FCEALVL(DP3)	\$5.77	\$10.00	(I)
Frame for SNA	FCEALVL(DP2)	\$6.00	\$15.00	(I)
Frame for Voice	FCEALVL(DP1)	\$6.00	\$20.00	(R)
Over 32 thru 40 Kbps				
Frame for LAN	FCEALVL(EP3)	\$8.00	\$10.00	(I)
Frame for SNA	FCEALVL(EP2)	\$8.00	\$15.00	(I)
Frame for Voice	FCEALVL(EP1)	\$8.00	\$20.00	(R)

⁽¹⁾ When the customer also subscribes to the Company's non-regulated Dedicated IP Service, the PVC nonrecurring charge will not apply.

ISSUED:
January 20, 2009BY: Darlene N. Terry
Manager - Tariffs
5454 W. 110th Street
Overland Park, Kansas 66211EFFECTIVE:
February 1, 2009

GENERAL EXCHANGE TARIFF

Embarq Missouri, Inc.
d/b/a EmbarqThird Revised Page 17
Cancels Second Revised Page 17

FRAME RELAY SERVICE

VIII. RATES AND CHARGES (Cont'd)

B. Frame Relay Port (FRAP) Only (Cont'd)

	<u>S&E Code</u>	<u>Monthly Rate</u>	<u>NRC</u>	
1.544 Mbps				
Month to month	FCEALB0	\$345.00	\$375.00	(I)
12-23 months	FCEALB0(F1Y)	\$320.00	N/A	
24-35 months	FCEALB0(F2Y)	\$310.00	N/A	
36-59 months	FCEALB0(F3Y)	\$300.00	N/A	
60-84 months	FCEALB0(F5Y)	\$270.00	N/A	
44.210 Mbps				
Month to month	FCEALH0	\$1,295.00	\$495.00	(I)
12-23 months	FCEALH0(F1Y)	\$1,245.00	N/A	
24-35 months	FCEALH0(F2Y)	\$1,195.00	N/A	
36-59 months	FCEALH0(F3Y)	\$1,095.00	N/A	
60-84 months	FCEALH0(F5Y)	\$995.00	N/A	

C. Permanent Virtual Circuit (PVC) – IntraLATA

<u>CIR, per PVC</u>	<u>S&E Code</u>	<u>Monthly Rate</u>	<u>NRC</u> ⁽¹⁾	
Over 0 thru 8 Kbps				
Frame for LAN	FCEALVL(AP3)	\$2.10	\$10.00	(I)
Frame for SNA	FCEALVL(AP2)	\$2.10	\$15.00	(R)
Frame for Voice	FCEALVL(AP1)	\$4.00	\$20.00	
Over 8 thru 16 Kbps				
Frame for LAN	FCEALVL(BP3)	\$3.15	\$10.00	(I)
Frame for SNA	FCEALVL(BP2)	\$3.15	\$15.00	(R)
Frame for Voice	FCEALVL(BP1)	\$5.00	\$20.00	
Over 16 thru 24 Kbps				
Frame for LAN	FCEALVL(CP3)	\$4.20	\$10.00	(I)
Frame for SNA	FCEALVL(CP2)	\$4.20	\$15.00	(R)
Frame for Voice	FCEALVL(CP1)	\$6.00	\$20.00	
Over 24 thru 32 Kbps				
Frame for LAN	FCEALVL(DP3)	\$5.25	\$10.00	(I)
Frame for SNA	FCEALVL(DP2)	\$5.25	\$15.00	(R)
Frame for Voice	FCEALVL(DP1)	\$7.00	\$20.00	
Over 32 thru 40 Kbps				
Frame for LAN	FCEALVL(EP3)	\$7.35	\$10.00	(I)
Frame for SNA	FCEALVL(EP2)	\$7.35	\$15.00	(R)
Frame for Voice	FCEALVL(EP1)	\$9.00	\$20.00	

⁽¹⁾ When the customer also subscribes to the Company's non-regulated Dedicated IP Service, the PVC nonrecurring charge will not apply.

ISSUED:
December 3, 2007BY: Darlene N. Terry
Manager - Tariffs
5454 W. 110th Street
Overland Park, Kansas 66211EFFECTIVE:
January 30, 2008CANCELLED
February 1, 2009
Missouri Public
Service Commission
JI-2009-0528FILED
Missouri Public
Service Commission

GENERAL EXCHANGE TARIFF

Embarq Missouri, Inc.
d/b/a **Embarq**

Second Revised Page 17 (C)
Cancels First Revised Page 17 (C)

FRAME RELAY SERVICE

VIII. RATES AND CHARGES (Cont'd)

B. Frame Relay Port (FRAP) Only (Cont'd)

	<u>S&E Code</u>	<u>Monthly Rate</u>	<u>NRC</u>
1.544 Mbps			
Month to month	FCEALB0	\$335.00	\$375.00
12-23 months	FCEALB0(F1Y)	\$320.00	N/A
24-35 months	FCEALB0(F2Y)	\$310.00	N/A
36-59 months	FCEALB0(F3Y)	\$300.00	N/A
60-84 months	FCEALB0(F5Y)	\$270.00	N/A
44.210 Mbps			
Month to month	FCEALH0	\$1,275.00	\$495.00
12-23 months	FCEALH0(F1Y)	\$1,245.00	N/A
24-35 months	FCEALH0(F2Y)	\$1,195.00	N/A
36-59 months	FCEALH0(F3Y)	\$1,095.00	N/A
60-84 months	FCEALH0(F5Y)	\$995.00	N/A

C. Permanent Virtual Circuit (PVC) – IntraLATA

<u>CIR, per PVC</u>	<u>S&E Code</u>	<u>Monthly Rate</u>	<u>NRC ⁽¹⁾</u>	(C)
Over 0 thru 8 Kbps				
Frame for LAN	FCEALVL(AP3)	\$2.00	\$10.00	
Frame for SNA	FCEALVL(AP2)	\$3.00	\$15.00	
Frame for Voice	FCEALVL(AP1)	\$4.00	\$20.00	
Over 8 thru 16 Kbps				
Frame for LAN	FCEALVL(BP3)	\$3.00	\$10.00	
Frame for SNA	FCEALVL(BP2)	\$4.00	\$15.00	
Frame for Voice	FCEALVL(BP1)	\$5.00	\$20.00	
Over 16 thru 24 Kbps				
Frame for LAN	FCEALVL(CP3)	\$4.00	\$10.00	
Frame for SNA	FCEALVL(CP2)	\$5.00	\$15.00	
Frame for Voice	FCEALVL(CP1)	\$6.00	\$20.00	
Over 24 thru 32 Kbps				
Frame for LAN	FCEALVL(DP3)	\$5.00	\$10.00	
Frame for SNA	FCEALVL(DP2)	\$6.00	\$15.00	
Frame for Voice	FCEALVL(DP1)	\$7.00	\$20.00	
Over 32 thru 40 Kbps				
Frame for LAN	FCEALVL(EP3)	\$7.00	\$10.00	
Frame for SNA	FCEALVL(EP2)	\$8.00	\$15.00	
Frame for Voice	FCEALVL(EP1)	\$9.00	\$20.00	

⁽¹⁾ **When the customer also subscribes to the Company's non-regulated Dedicated IP Service, the PVC nonrecurring charge will not apply.** (N)
(N)

ISSUED:
March 16, 2007

BY: Darlene N. Terry
Manager - Tariffs
5454 W. 110th Street
Overland Park, Kansas 66211

EFFECTIVE:
April 15, 2007

CANCELLED
January 30, 2008
Missouri Public
Service Commission

Filed
Missouri Public
Service Commission

SPRINT MISSOURI, INC.
 d/b/a SPRINT

First Revised Page 17
 Cancels Original Page 17

FRAME RELAY SERVICE

VIII. RATES AND CHARGES (Cont'd)

B. Frame Relay Port (FRAP) Only (Cont'd)

	S&E Code	Monthly Rate	NRC	
1.544 Mbps				
Month to month	FCEALB0	\$335.00	\$375.00	(CR)
12-23 months	FCEALB0(F1Y)	\$320.00	N/A	
24-35 months	FCEALB0(F2Y)	\$310.00	N/A	
36-59 months	FCEALB0(F3Y)	\$300.00	N/A	
60-84 months	FCEALB0(F5Y)	\$270.00	N/A	(CR)
44.210 Mbps				
Month to month	FCEALH0	\$1,275.00	\$ 495.00	(CR)
12-23 months	FCEALH0(F1Y)	\$1,245.00	N/A	
24-35 months	FCEALH0(F2Y)	\$1,195.00	N/A	
36-59 months	FCEALH0(F3Y)	\$1,095.00	N/A	
60-84 months	FCEALH0(F5Y)	\$995.00	N/A	(CR)

C. Permanent Virtual Circuit (PVC) - IntraLATA

CIR, per PVC	S&E Code	Monthly Rate	NRC
Over 0 thru 8 Kbps			
Frame for LAN	FCEALVL(AP3)	\$2.00	\$10.00
Frame for SNA	FCEALVL(AP2)	\$3.00	\$15.00
Frame for Voice	FCEALVL(AP1)	\$4.00	\$20.00
Over 8 thru 16 Kbps			
Frame for LAN	FCEALVL(BP3)	\$3.00	\$10.00
Frame for SNA	FCEALVL(BP2)	\$4.00	\$15.00
Frame for Voice	FCEALVL(BP1)	\$5.00	\$20.00
Over 16 thru 24 Kbps			
Frame for LAN	FCEALVL(CP3)	\$4.00	\$10.00
Frame for SNA	FCEALVL(CP2)	\$5.00	\$15.00
Frame for Voice	FCEALVL(CP1)	\$6.00	\$20.00
Over 24 thru 32 Kbps			
Frame for LAN	FCEALVL(DP3)	\$5.00	\$10.00
Frame for SNA	FCEALVL(DP2)	\$6.00	\$15.00
Frame for Voice	FCEALVL(DP1)	\$7.00	\$20.00
Over 32 thru 40 Kbps			
Frame for LAN	FCEALVL(EP3)	\$7.00	\$10.00
Frame for SNA	FCEALVL(EP2)	\$8.00	\$15.00
Frame for Voice	FCEALVL(EP1)	\$9.00	\$20.00

ISSUED:
 October 27, 1999

BY: Richard D. Lawson
 State Executive, External Affairs
 319 Madison
 Jefferson City, MO 65101

EFFECTIVE:
 November 26, 1999

Cancelled

April 15, 2007

Missouri Public
 Service Commission

GENERAL EXCHANGE TARIFF

SPRINT MISSOURI, INC.
d/b/a SPRINT

RECEIVED
Original Page 17

MAY 15 1998

FRAME RELAY SERVICE

MO. PUBLIC SERVICE COMM

VIII. RATES AND CHARGES (Cont'd)

B. Frame Relay Port (FRAP) Only (Cont'd)

	S&E Code	Monthly Rate	NRC
1.544 Mbps			
Month to month	FCEALB0	\$420.00	\$375.00
12-23 months	FCEALB0(F1Y)	\$378.00	N/A
24-35 months	FCEALB0(F2Y)	\$336.00	N/A
36-59 months	FCEALB0(F3Y)	\$294.00	N/A
60-84 months	FCEALB0(F5Y)	\$252.00	N/A
44.210 Mbps			
Month to month	FCEALH0	\$1,195.00	\$ 495.00
12-23 months	FCEALH0(F1Y)	\$1,175.00	N/A
24-35 months	FCEALH0(F2Y)	\$1,150.00	N/A
36-59 months	FCEALH0(F3Y)	\$1,125.00	N/A
60-84 months	FCEALH0(F5Y)	\$1,075.00	N/A

C. Permanent Virtual Circuit (PVC) - IntraLATA

CIR, per PVC	S&E Code	Monthly Rate	NRC
Over 0 thru 8 Kbps			
Frame for LAN	FCEALVL(AP3)	\$2.00	\$10.00
Frame for SNA	FCEALVL(AP2)	\$3.00	\$15.00
Frame for Voice	FCEALVL(AP1)	\$4.00	\$20.00
Over 8 thru 16 Kbps			
Frame for LAN	FCEALVL(BP3)	\$3.00	\$10.00
Frame for SNA	FCEALVL(BP2)	\$4.00	\$15.00
Frame for Voice	FCEALVL(BP1)	\$5.00	\$20.00
Over 16 thru 24 Kbps			
Frame for LAN	FCEALVL(CP3)	\$4.00	\$10.00
Frame for SNA	FCEALVL(CP2)	\$5.00	\$15.00
Frame for Voice	FCEALVL(CP1)	\$6.00	\$20.00
Over 24 thru 32 Kbps			
Frame for LAN	FCEALVL(DP3)	\$5.00	\$10.00
Frame for SNA	FCEALVL(DP2)	\$6.00	\$15.00
Frame for Voice	FCEALVL(DP1)	\$7.00	\$20.00
Over 32 thru 40 Kbps			
Frame for LAN	FCEALVL(EP3)	\$7.00	\$10.00
Frame for SNA	FCEALVL(EP2)	\$8.00	\$15.00
Frame for Voice	FCEALVL(EP1)	\$9.00	\$20.00

CANCELLED

NOV 26 1999
By *SR#17*
Public Service Commission
MISSOURI

ISSUED:
May 15, 1998

BY: Richard D. Lawson
State Executive, External Affairs
319 Madison
Jefferson City, MO 65101

FILED
EFFECTIVE:
June 16, 1998
JUN 18 1998

MISSOURI
Public Service Commission

GENERAL EXCHANGE TARIFF

Embarq Missouri, Inc.
d/b/a Embarq

Fifth Revised Page 18
Cancels Fourth Revised Page 18

FRAME RELAY SERVICE

VIII. RATES AND CHARGES (Cont'd)

C. Permanent Virtual Circuit (PVC) - IntraLATA (Cont'd)

CIR, per PVC	S&E Code	Monthly Rate	<u>NRC</u>	(C)
Over 40 thru 48 Kbps				
Frame for LAN	FCEALVL(FP3)	\$ 10.00	\$10.00	
Frame for SNA	FCEALVL(FP2)	\$ 10.00	\$15.00	
Frame for Voice	FCEALVL(FP1)	\$ 10.00	\$20.00	
Over 48 thru 56 Kbps				
Frame for LAN	FCEALVL(GP3)	\$ 12.00	\$10.00	
Frame for SNA	FCEALVL(GP2)	\$ 12.00	\$15.00	
Frame for Voice	FCEALVL(GP1)	\$ 12.00	\$20.00	
Over 56 thru 64 Kbps				
Frame for LAN	FCEALVL(HP3)	\$ 15.00	\$10.00	
Frame for SNA	FCEALVL(HP2)	\$ 15.00	\$15.00	
Frame for Voice	FCEALVL(HP1)	\$ 15.00	\$20.00	
Over 64 thru 128 Kbps				
Frame for LAN	FCEALVL(IP3)	\$ 20.00	\$10.00	
Frame for SNA	FCEALVL(IP2)	\$ 20.00	\$15.00	
Frame for Voice	FCEALVL(IP1)	\$ 24.00	\$20.00	
Over 128 thru 256 Kbps				
Frame for LAN	FCEALVL(JP3)	\$ 27.00	\$10.00	
Frame for SNA	FCEALVL(JP2)	\$ 27.00	\$15.00	
Frame for Voice	FCEALVL(JP1)	\$ 32.00	\$20.00	
Over 256 thru 384 Kbps				
Frame for LAN	FCEALVL(KP3)	\$ 31.50	\$10.00	
Frame for SNA	FCEALVL(KP2)	\$ 31.00	\$15.00	
Frame for Voice	FCEALVL(KP1)	\$ 37.00	\$20.00	
Over 384 thru 512 Kbps				
Frame for LAN	FCEALVL(LP3)	\$ 36.00	\$10.00	
Frame for SNA	FCEALVL(LP2)	\$ 36.00	\$15.00	
Frame for Voice	FCEALVL(LP1)	\$ 36.00	\$20.00	
Over 512 thru 768 Kbps				
Frame for LAN	FCEALVL(MP3)	\$ 40.00	\$10.00	
Frame for SNA	FCEALVL(MP2)	\$ 40.00	\$15.00	
Frame for Voice	FCEALVL(MP1)	\$ 40.00	\$20.00	
Over 768 thru 1.536 Mbps				
Frame for LAN	FCEALVL(NP3)	\$ 61.95	\$10.00	
Frame for SNA	FCEALVL(NP2)	\$ 61.00	\$15.00	
Frame for Voice	FCEALVL(NP1)	\$ 61.00	\$20.00	
Over 1.536 thru 4 Mbps				
Frame for LAN	FCEALVL(OP3)	\$132.00	\$10.00	
Frame for SNA	FCEALVL(OP2)	\$132.00	\$15.00	
Frame for Voice	FCEALVL(OP1)	\$132.00	\$20.00	

(D)
(D)

ISSUED:
March 6, 2009

BY: Darlene N. Terry
Manager - Tariffs
5454 W. 110th Street
Overland Park, Kansas 66211

EFFECTIVE:
April 5, 2009

GENERAL EXCHANGE TARIFF

Embarq Missouri, Inc.
d/b/a Embarq

Fourth Revised Page 18
Cancels Third Revised Page 18

FRAME RELAY SERVICE

VIII. RATES AND CHARGES (Cont'd)

C. Permanent Virtual Circuit (PVC) - IntraLATA (Cont'd)

CIR, per PVC	S&E Code	Monthly Rate	NRC ⁽¹⁾
Over 40 thru 48 Kbps			
Frame for LAN	FCEALVL(FP3)	\$ 10.00	\$10.00 (I)
Frame for SNA	FCEALVL(FP2)	\$ 10.00	\$15.00 (I)
Frame for Voice	FCEALVL(FP1)	\$ 10.00	\$20.00 (R)
Over 48 thru 56 Kbps			
Frame for LAN	FCEALVL(GP3)	\$ 12.00	\$10.00 (I)
Frame for SNA	FCEALVL(GP2)	\$ 12.00	\$15.00 (I)
Frame for Voice	FCEALVL(GP1)	\$ 12.00	\$20.00 (R)
Over 56 thru 64 Kbps			
Frame for LAN	FCEALVL(HP3)	\$ 15.00	\$10.00 (I)
Frame for SNA	FCEALVL(HP2)	\$ 15.00	\$15.00 (I)
Frame for Voice	FCEALVL(HP1)	\$ 15.00	\$20.00 (R)
Over 64 thru 128 Kbps			
Frame for LAN	FCEALVL(IP3)	\$ 20.00	\$10.00 (I)
Frame for SNA	FCEALVL(IP2)	\$ 20.00	\$15.00 (I)
Frame for Voice	FCEALVL(IP1)	\$ 24.00	\$20.00
Over 128 thru 256 Kbps			
Frame for LAN	FCEALVL(JP3)	\$ 27.00	\$10.00 (I)
Frame for SNA	FCEALVL(JP2)	\$ 27.00	\$15.00 (I)
Frame for Voice	FCEALVL(JP1)	\$ 32.00	\$20.00
Over 256 thru 384 Kbps			
Frame for LAN	FCEALVL(KP3)	\$ 31.50	\$10.00
Frame for SNA	FCEALVL(KP2)	\$ 31.00	\$15.00 (R)
Frame for Voice	FCEALVL(KP1)	\$ 37.00	\$20.00
Over 384 thru 512 Kbps			
Frame for LAN	FCEALVL(LP3)	\$ 36.00	\$10.00
Frame for SNA	FCEALVL(LP2)	\$ 36.00	\$15.00
Frame for Voice	FCEALVL(LP1)	\$ 36.00	\$20.00 (R)
Over 512 thru 768 Kbps			
Frame for LAN	FCEALVL(MP3)	\$ 40.00	\$10.00 (I)
Frame for SNA	FCEALVL(MP2)	\$ 40.00	\$15.00 (I)
Frame for Voice	FCEALVL(MP1)	\$ 40.00	\$20.00 (R)
Over 768 thru 1.536 Mbps			
Frame for LAN	FCEALVL(NP3)	\$ 61.95	\$10.00
Frame for SNA	FCEALVL(NP2)	\$ 61.00	\$15.00 (R)
Frame for Voice	FCEALVL(NP1)	\$ 61.00	\$20.00 (R)
Over 1.536 thru 4 Mbps			
Frame for LAN	FCEALVL(OP3)	\$132.00	\$10.00 (I)
Frame for SNA	FCEALVL(OP2)	\$132.00	\$15.00 (I)
Frame for Voice	FCEALVL(OP1)	\$132.00	\$20.00 (R)

(1) When the customer also subscribes to the Company's non-regulated Dedicated IP Service, the PVC nonrecurring charge will not apply.

ISSUED:
January 20, 2009

BY: Darlene N. Terry
Manager - Tariffs
5454 W. 110th Street
Overland Park, Kansas 66211

EFFECTIVE:
February 1, 2009

CANCELLED
April 5, 2009
Missouri Public
Service Commission
JI-2009-0634

FILED
Missouri Public
Service Commission
JI-2009-0528

GENERAL EXCHANGE TARIFF

Embarq Missouri, Inc.
d/b/a Embarq

Third Revised Page 18
Cancels Second Revised Page 18

FRAME RELAY SERVICE

VIII. RATES AND CHARGES (Cont'd)

C. Permanent Virtual Circuit (PVC) - IntraLATA (Cont'd)

CIR, per PVC	S&E Code	Monthly Rate	NRC ⁽¹⁾	
Over 40 thru 48 Kbps				
Frame for LAN	FCEALVL(FP3)	\$9.45	\$10.00	(I)
Frame for SNA	FCEALVL(FP2)	\$9.45	\$15.00	(R)
Frame for Voice	FCEALVL(FP1)	\$12.00	\$20.00	
Over 48 thru 56 Kbps				
Frame for LAN	FCEALVL(GP3)	\$11.55	\$10.00	(I)
Frame for SNA	FCEALVL(GP2)	\$11.55	\$15.00	(R)
Frame for Voice	FCEALVL(GP1)	\$15.00	\$20.00	
Over 56 thru 64 Kbps				
Frame for LAN	FCEALVL(HP3)	\$14.70	\$10.00	(I)
Frame for SNA	FCEALVL(HP2)	\$14.70	\$15.00	(R)
Frame for Voice	FCEALVL(HP1)	\$18.00	\$20.00	
Over 64 thru 128 Kbps				
Frame for LAN	FCEALVL(IP3)	\$19.95	\$10.00	(I)
Frame for SNA	FCEALVL(IP2)	\$19.95	\$15.00	(R)
Frame for Voice	FCEALVL(IP1)	\$24.00	\$20.00	
Over 128 thru 256 Kbps				
Frame for LAN	FCEALVL(JP3)	\$26.25	\$10.00	(I)
Frame for SNA	FCEALVL(JP2)	\$26.25	\$15.00	(R)
Frame for Voice	FCEALVL(JP1)	\$32.00	\$20.00	
Over 256 thru 384 Kbps				
Frame for LAN	FCEALVL(KP3)	\$31.50	\$10.00	(I)
Frame for SNA	FCEALVL(KP2)	\$31.50	\$15.00	(R)
Frame for Voice	FCEALVL(KP1)	\$37.00	\$20.00	
Over 384 thru 512 Kbps				
Frame for LAN	FCEALVL(LP3)	\$36.00	\$10.00	(I)
Frame for SNA	FCEALVL(LP2)	\$36.00	\$15.00	(R)
Frame for Voice	FCEALVL(LP1)	\$43.00	\$20.00	
Over 512 thru 768 Kbps				
Frame for LAN	FCEALVL(MP3)	\$39.90	\$10.00	(I)
Frame for SNA	FCEALVL(MP2)	\$39.90	\$15.00	(R)
Frame for Voice	FCEALVL(MP1)	\$48.00	\$20.00	
Over 768 thru 1.536 Mbps				
Frame for LAN	FCEALVL(NP3)	\$61.95	\$10.00	(I)
Frame for SNA	FCEALVL(NP2)	\$61.95	\$15.00	(R)
Frame for Voice	FCEALVL(NP1)	\$74.00	\$20.00	
Over 1.536 thru 4 Mbps				
Frame for LAN	FCEALVL(OP3)	\$120.00	\$10.00	
Frame for SNA	FCEALVL(OP2)	\$120.00	\$15.00	(R)
Frame for Voice	FCEALVL(OP1)	\$150.00	\$20.00	

⁽¹⁾ When the customer also subscribes to the Company's non-regulated Dedicated IP Service, the PVC nonrecurring charge will not apply.

ISSUED:
December 3, 2007

BY: Darlene N. Terry
Manager - Tariffs
5454 W. 110th Street
Overland Park, Kansas 66211

EFFECTIVE:
January 30, 2008

CANCELLED
February 1, 2009
Missouri Public
Service Commission
JI-2009-0528

FILED
Missouri Public
Service Commission

GENERAL EXCHANGE TARIFF

Embarq Missouri, Inc.
d/b/a **Embarq**

Second Revised Page 18 (C)
Cancels First Revised Page 18 (C)

FRAME RELAY SERVICE

VIII. RATES AND CHARGES (Cont'd)

C. Permanent Virtual Circuit (PVC) - IntraLATA (Cont'd)

CIR, per PVC	<u>S&E Code</u>	<u>Monthly Rate</u>	<u>NRC</u> ⁽¹⁾	(C)
Over 40 thru 48 Kbps				
Frame for LAN	FCEALVL(FP3)	\$9.00	\$10.00	
Frame for SNA	FCEALVL(FP2)	\$10.00	\$15.00	
Frame for Voice	FCEALVL(FP1)	\$12.00	\$20.00	
Over 48 thru 56 Kbps				
Frame for LAN	FCEALVL(GP3)	\$11.00	\$10.00	
Frame for SNA	FCEALVL(GP2)	\$12.00	\$15.00	
Frame for Voice	FCEALVL(GP1)	\$15.00	\$20.00	
Over 56 thru 64 Kbps				
Frame for LAN	FCEALVL(HP3)	\$14.00	\$10.00	
Frame for SNA	FCEALVL(HP2)	\$16.00	\$15.00	
Frame for Voice	FCEALVL(HP1)	\$18.00	\$20.00	
Over 64 thru 128 Kbps				
Frame for LAN	FCEALVL(IP3)	\$19.00	\$10.00	
Frame for SNA	FCEALVL(IP2)	\$21.00	\$15.00	
Frame for Voice	FCEALVL(IP1)	\$24.00	\$20.00	
Over 128 thru 256 Kbps				
Frame for LAN	FCEALVL(JP3)	\$25.00	\$10.00	
Frame for SNA	FCEALVL(JP2)	\$29.00	\$15.00	
Frame for Voice	FCEALVL(JP1)	\$32.00	\$20.00	
Over 256 thru 384 Kbps				
Frame for LAN	FCEALVL(KP3)	\$30.00	\$10.00	
Frame for SNA	FCEALVL(KP2)	\$33.00	\$15.00	
Frame for Voice	FCEALVL(KP1)	\$37.00	\$20.00	
Over 384 thru 512 Kbps				
Frame for LAN	FCEALVL(LP3)	\$34.00	\$10.00	
Frame for SNA	FCEALVL(LP2)	\$38.00	\$15.00	
Frame for Voice	FCEALVL(LP1)	\$43.00	\$20.00	
Over 512 thru 768 Kbps				
Frame for LAN	FCEALVL(MP3)	\$38.00	\$10.00	
Frame for SNA	FCEALVL(MP2)	\$43.00	\$15.00	
Frame for Voice	FCEALVL(MP1)	\$48.00	\$20.00	
Over 768 thru 1.536 Mbps				
Frame for LAN	FCEALVL(NP3)	\$59.00	\$10.00	
Frame for SNA	FCEALVL(NP2)	\$65.00	\$15.00	
Frame for Voice	FCEALVL(NP1)	\$74.00	\$20.00	
Over 1.536 thru 4 Mbps				
Frame for LAN	FCEALVL(OP3)	\$120.00	\$10.00	
Frame for SNA	FCEALVL(OP2)	\$135.00	\$15.00	
Frame for Voice	FCEALVL(OP1)	\$150.00	\$20.00	

⁽¹⁾ **When the customer also subscribes to the Company's non-regulated Dedicated IP Service, the PVC nonrecurring charge will not apply.** (N)
(N)

ISSUED:
March 16, 2007

BY: Darlene N. Terry
Manager - Tariffs
5454 W. 110th Street
Overland Park, Kansas 66211

EFFECTIVE:
April 15, 2007

P.S.C. MO.-No. 22 Section 21
 GENERAL EXCHANGE TARIFF

SPRINT MISSOURI, INC.
 d/b/a SPRINT

First Revised Page 18
 Cancels Original Page 18

FRAME RELAY SERVICE

VIII. RATES AND CHARGES (Cont'd)

C. Permanent Virtual Circuit (PVC) - IntraLATA (Cont'd)

CIR, per PVC	S&E Code	Monthly Rate	NRC
Over 40 thru 48 Kbps			
Frame for LAN	FCEALVL(FP3)	\$9.00	\$10.00
Frame for SNA	FCEALVL(FP2)	\$10.00	\$15.00
Frame for Voice	FCEALVL(FP1)	\$12.00	\$20.00
Over 48 thru 56 Kbps			
Frame for LAN	FCEALVL(GP3)	\$11.00	\$10.00
Frame for SNA	FCEALVL(GP2)	\$12.00	\$15.00
Frame for Voice	FCEALVL(GP1)	\$15.00	\$20.00 (CR)
Over 56 thru 64 Kbps			
Frame for LAN	FCEALVL(HP3)	\$14.00	\$10.00 (CR)
Frame for SNA	FCEALVL(HP2)	\$16.00	\$15.00
Frame for Voice	FCEALVL(HP1)	\$18.00	\$20.00 (CR)
Over 64 thru 128 Kbps			
Frame for LAN	FCEALVL(IP3)	\$19.00	\$10.00 (CR)
Frame for SNA	FCEALVL(IP2)	\$21.00	\$15.00
Frame for Voice	FCEALVL(IP1)	\$24.00	\$20.00 (CR)
Over 128 thru 256 Kbps			
Frame for LAN	FCEALVL(JP3)	\$25.00	\$10.00 (CR)
Frame for SNA	FCEALVL(JP2)	\$29.00	\$15.00
Frame for Voice	FCEALVL(JP1)	\$32.00	\$20.00 (CR)
Over 256 thru 384 Kbps			
Frame for LAN	FCEALVL(KP3)	\$30.00	\$10.00 (CR)
Frame for SNA	FCEALVL(KP2)	\$33.00	\$15.00
Frame for Voice	FCEALVL(KP1)	\$37.00	\$20.00 (CR)
Over 384 thru 512 Kbps			
Frame for LAN	FCEALVL(LP3)	\$34.00	\$10.00 (CR)
Frame for SNA	FCEALVL(LP2)	\$38.00	\$15.00
Frame for Voice	FCEALVL(LP1)	\$43.00	\$20.00 (CR)
Over 512 thru 768 Kbps			
Frame for LAN	FCEALVL(MP3)	\$38.00	\$10.00 (CR)
Frame for SNA	FCEALVL(MP2)	\$43.00	\$15.00
Frame for Voice	FCEALVL(MP1)	\$48.00	\$20.00 (CR)
Over 768 thru 1.536 Mbps			
Frame for LAN	FCEALVL(NP3)	\$59.00	\$10.00 (CR)
Frame for SNA	FCEALVL(NP2)	\$65.00	\$15.00
Frame for Voice	FCEALVL(NP1)	\$74.00	\$20.00 (CR)
Over 1.536 thru 4 Mbps			
Frame for LAN	FCEALVL(OP3)	\$120.00	\$10.00
Frame for SNA	FCEALVL(OP2)	\$135.00	\$15.00 (CR)
Frame for Voice	FCEALVL(OP1)	\$150.00	\$20.00

ISSUED:
 October 27, 1999

BY: Richard D. Lawson
 State Executive, External Affairs
 319 Madison
 Jefferson City, MO 65101

EFFECTIVE:
 November 26, 1999

GENERAL EXCHANGE TARIFF

RECEIVED

SPRINT MISSOURI, INC.
d/b/a SPRINT

Original Page 18
MAY 15 1998

FRAME RELAY SERVICE

MO. PUBLIC SERVICE COMM

VIII. RATES AND CHARGES (Cont'd)

C. Permanent Virtual Circuit (PVC) - IntraLATA (Cont'd)

CIR, per PVC	S&E Code	Monthly Rate	NRC
Over 40 thru 48 Kbps			
Frame for LAN	FCEALVL(FP3)	\$9.00	\$10.00
Frame for SNA	FCEALVL(FP2)	\$10.00	\$15.00
Frame for Voice	FCEALVL(FP1)	\$12.00	\$20.00
Over 48 thru 56 Kbps			
Frame for LAN	FCEALVL(GP3)	\$11.00	\$10.00
Frame for SNA	FCEALVL(GP2)	\$12.00	\$15.00
Frame for Voice	FCEALVL(GP1)	\$14.00	\$20.00
Over 56 thru 64 Kbps			
Frame for LAN	FCEALVL(HP3)	\$13.00	\$10.00
Frame for SNA	FCEALVL(HP2)	\$15.00	\$15.00
Frame for Voice	FCEALVL(HP1)	\$17.00	\$20.00
Over 64 thru 128 Kbps			
Frame for LAN	FCEALVL(IP3)	\$18.00	\$10.00
Frame for SNA	FCEALVL(IP2)	\$20.00	\$15.00
Frame for Voice	FCEALVL(IP1)	\$23.00	\$20.00
Over 128 thru 256 Kbps			
Frame for LAN	FCEALVL(JP3)	\$24.00	\$10.00
Frame for SNA	FCEALVL(JP2)	\$27.00	\$15.00
Frame for Voice	FCEALVL(JP1)	\$30.00	\$20.00
Over 256 thru 384 Kbps			
Frame for LAN	FCEALVL(KP3)	\$28.00	\$10.00
Frame for SNA	FCEALVL(KP2)	\$31.00	\$15.00
Frame for Voice	FCEALVL(KP1)	\$35.00	\$20.00
Over 384 thru 512 Kbps			
Frame for LAN	FCEALVL(LP3)	\$32.00	\$10.00
Frame for SNA	FCEALVL(LP2)	\$36.00	\$15.00
Frame for Voice	FCEALVL(LP1)	\$40.00	\$20.00
Over 512 thru 768 Kbps			
Frame for LAN	FCEALVL(MP3)	\$36.00	\$10.00
Frame for SNA	FCEALVL(MP2)	\$40.00	\$15.00
Frame for Voice	FCEALVL(MP1)	\$45.00	\$20.00
Over 768 thru 1.536 Mbps			
Frame for LAN	FCEALVL(NP3)	\$55.00	\$10.00
Frame for SNA	FCEALVL(NP2)	\$61.00	\$15.00
Frame for Voice	FCEALVL(NP1)	\$69.00	\$20.00
Over 1.536 thru 4 Mbps			
Frame for LAN	FCEALVL(OP3)	\$120.00	\$10.00
Frame for SNA	FCEALVL(OP2)	\$132.00	\$15.00
Frame for Voice	FCEALVL(OP1)	\$150.00	\$20.00

CANCELLED

NOV 26 1999
By *LSRS#18*
Public Service Commission
MISSOURI

ISSUED:
May 15, 1998

BY: Richard D. Lawson
State Executive, External Affairs
319 Madison
Jefferson City, MO 65101

EFFECTIVE:
June 15, 1998

MISSOURI
Public Service Commission

FILED

GENERAL EXCHANGE TARIFF

Embarq Missouri, Inc.
d/b/a Embarq

Fifth Revised Page 19
Cancels Fourth Revised Page 19

FRAME RELAY SERVICE

VIII. RATES AND CHARGES (Cont'd)

C. Permanent Virtual Circuit (PVC) - IntraLATA (Cont'd)

CIR, per PVC	S&E Code	Monthly Rate	NRC	(C)
Over 4 thru 10 Mbps				
Frame for LAN	FCEALVL(PP3)	\$176.00	\$10.00	
Frame for SNA	FCEALVL(PP2)	\$176.00	\$15.00	
Frame for Voice	FCEALVL(PP1)	\$176.00	\$20.00	
Over 10 thru 16 Mbps				
Frame for LAN	FCEALVL(QP3)	\$249.00	\$10.00	
Frame for SNA	FCEALVL(QP2)	\$249.00	\$15.00	
Frame for Voice	FCEALVL(QP1)	\$249.00	\$20.00	
Over 16 thru 34 Mbps				
Frame for LAN	FCEALVL(RP3)	\$275.00	\$10.00	
Frame for SNA	FCEALVL(RP2)	\$275.00	\$15.00	
Frame for Voice	FCEALVL(RP1)	\$275.00	\$20.00	
Over 34 thru 44.210 Mbps				
Frame for LAN	FCEALVL(SP3)	\$407.00	\$10.00	
Frame for SNA	FCEALVL(SP2)	\$407.00	\$15.00	
Frame for Voice	FCEALVL(SP1)	\$407.00	\$20.00	

D. Permanent Virtual Circuit (PVC) – InterLATA

Over 0 thru 8 Kbps				
Frame for LAN	FCEALVI(AP3)	\$ 3.00	\$10.00	
Frame for SNA	FCEALVI(AP2)	\$ 3.00	\$15.00	
Frame for Voice	FCEALVI(AP1)	\$ 3.00	\$20.00	
Over 8 thru 16 Kbps				
Frame for LAN	FCEALVI(BP3)	\$ 4.00	\$10.00	
Frame for SNA	FCEALVI(BP2)	\$ 4.00	\$15.00	
Frame for Voice	FCEALVI(BP1)	\$ 4.00	\$20.00	
Over 16 thru 24 Kbps				
Frame for LAN	FCEALVI(CP3)	\$ 4.95	\$10.00	
Frame for SNA	FCEALVI(CP2)	\$ 4.95	\$15.00	
Frame for Voice	FCEALVI(CP1)	\$ 5.00	\$20.00	
Over 24 thru 32 Kbps				
Frame for LAN	FCEALVI(DP3)	\$ 5.77	\$10.00	
Frame for SNA	FCEALVI(DP2)	\$ 5.77	\$15.00	
Frame for Voice	FCEALVI(DP1)	\$ 6.00	\$20.00	
Over 32 thru 40 Kbps				
Frame for LAN	FCEALVI(EP3)	\$ 8.00	\$10.00	
Frame for SNA	FCEALVI(EP2)	\$ 8.00	\$15.00	
Frame for Voice	FCEALVI(EP1)	\$ 8.00	\$20.00	

ISSUED:
March 6, 2009

BY: Darlene N. Terry
Manager - Tariffs
5454 W. 110th Street
Overland Park, Kansas 66211

EFFECTIVE:
April 5, 2009

GENERAL EXCHANGE TARIFF

Embarq Missouri, Inc.
d/b/a Embarq

Fourth Revised Page 19
Cancels Third Revised Page 19

FRAME RELAY SERVICE

VIII. RATES AND CHARGES (Cont'd)

C. Permanent Virtual Circuit (PVC) - IntraLATA (Cont'd)

CIR, per PVC	S&E Code	Monthly Rate	NRC ⁽¹⁾	
Over 4 thru 10 Mbps				
Frame for LAN	FCEALVL(PP3)	\$176.00	\$10.00	(I)
Frame for SNA	FCEALVL(PP2)	\$176.00	\$15.00	(I)
Frame for Voice	FCEALVL(PP1)	\$176.00	\$20.00	(R)
Over 10 thru 16 Mbps				
Frame for LAN	FCEALVL(QP3)	\$249.00	\$10.00	(I)
Frame for SNA	FCEALVL(QP2)	\$249.00	\$15.00	(I)
Frame for Voice	FCEALVL(QP1)	\$249.00	\$20.00	(R)
Over 16 thru 34 Mbps				
Frame for LAN	FCEALVL(RP3)	\$275.00	\$10.00	(I)
Frame for SNA	FCEALVL(RP2)	\$275.00	\$15.00	(I)
Frame for Voice	FCEALVL(RP1)	\$275.00	\$20.00	(R)
Over 34 thru 44.210 Mbps				
Frame for LAN	FCEALVL(SP3)	\$407.00	\$10.00	(I)
Frame for SNA	FCEALVL(SP2)	\$407.00	\$15.00	(I)
Frame for Voice	FCEALVL(SP1)	\$407.00	\$20.00	(R)

D. Permanent Virtual Circuit (PVC) – InterLATA

Over 0 thru 8 Kbps				
Frame for LAN	FCEALVI(AP3)	\$ 3.00	\$10.00	(I)
Frame for SNA	FCEALVI(AP2)	\$ 3.00	\$15.00	(I)
Frame for Voice	FCEALVI(AP1)	\$ 3.00	\$20.00	(R)
Over 8 thru 16 Kbps				
Frame for LAN	FCEALVI(BP3)	\$ 4.00	\$10.00	(I)
Frame for SNA	FCEALVI(BP2)	\$ 4.00	\$15.00	(I)
Frame for Voice	FCEALVI(BP1)	\$ 4.00	\$20.00	(R)
Over 16 thru 24 Kbps				
Frame for LAN	FCEALVI(CP3)	\$ 4.95	\$10.00	(I)
Frame for SNA	FCEALVI(CP2)	\$ 4.95	\$15.00	(I)
Frame for Voice	FCEALVI(CP1)	\$ 5.00	\$20.00	(R)
Over 24 thru 32 Kbps				
Frame for LAN	FCEALVI(DP3)	\$ 5.77	\$10.00	(I)
Frame for SNA	FCEALVI(DP2)	\$ 5.77	\$15.00	(I)
Frame for Voice	FCEALVI(DP1)	\$ 6.00	\$20.00	(R)
Over 32 thru 40 Kbps				
Frame for LAN	FCEALVI(EP3)	\$ 8.00	\$10.00	(I)
Frame for SNA	FCEALVI(EP2)	\$ 8.00	\$15.00	(I)
Frame for Voice	FCEALVI(EP1)	\$ 8.00	\$20.00	(R)

⁽¹⁾ When the customer also subscribes to the Company's non-regulated Dedicated IP Service, the PVC nonrecurring charge will not apply.

ISSUED:
January 20, 2009

BY: Darlene N. Terry
Manager - Tariffs
5454 W. 110th Street
Overland Park, Kansas 66211

EFFECTIVE:
February 1, 2009

GENERAL EXCHANGE TARIFF

Embarq Missouri, Inc.
d/b/a Embarq

Third Revised Page 19
Cancels Second Revised Page 19

FRAME RELAY SERVICE

VIII. RATES AND CHARGES (Cont'd)

C. Permanent Virtual Circuit (PVC) - IntraLATA (Cont'd)

CIR, per PVC	S&E Code	Monthly Rate	NRC ⁽¹⁾	
Over 4 thru 10 Mbps				
Frame for LAN	FCEALVL(PP3)	\$170.00	\$10.00	
Frame for SNA	FCEALVL(PP2)	\$170.00	\$15.00	(R)
Frame for Voice	FCEALVL(PP1)	\$215.00	\$20.00	
Over 10 thru 16 Mbps				
Frame for LAN	FCEALVL(QP3)	\$240.00	\$10.00	
Frame for SNA	FCEALVL(QP2)	\$240.00	\$15.00	(R)
Frame for Voice	FCEALVL(QP1)	\$305.00	\$20.00	
Over 16 thru 34 Mbps				
Frame for LAN	FCEALVL(RP3)	\$270.00	\$10.00	
Frame for SNA	FCEALVL(RP2)	\$270.00	\$15.00	(R)
Frame for Voice	FCEALVL(RP1)	\$335.00	\$20.00	
Over 34 thru 44.210 Mbps				
Frame for LAN	FCEALVL(SP3)	\$395.00	\$10.00	
Frame for SNA	FCEALVL(SP2)	\$395.00	\$15.00	(R)
Frame for Voice	FCEALVL(SP1)	\$500.00	\$20.00	

D. Permanent Virtual Circuit (PVC) – InterLATA

Over 0 thru 8 Kbps				
Frame for LAN	FCEALVI(AP3)	\$2.10	\$10.00	(R)
Frame for SNA	FCEALVI(AP2)	\$2.10	\$15.00	
Frame for Voice	FCEALVI(AP1)	\$4.00	\$20.00	(R)
Over 8 thru 16 Kbps				
Frame for LAN	FCEALVI(BP3)	\$3.15	\$10.00	(R)
Frame for SNA	FCEALVI(BP2)	\$3.15	\$15.00	
Frame for Voice	FCEALVI(BP1)	\$5.00	\$20.00	(R)
Over 16 thru 24 Kbps				
Frame for LAN	FCEALVI(CP3)	\$4.50	\$10.00	(R)
Frame for SNA	FCEALVI(CP2)	\$4.50	\$15.00	
Frame for Voice	FCEALVI(CP1)	\$6.00	\$20.00	(R)
Over 24 thru 32 Kbps				
Frame for LAN	FCEALVI(DP3)	\$5.25	\$10.00	(R)
Frame for SNA	FCEALVI(DP2)	\$5.25	\$15.00	
Frame for Voice	FCEALVI(DP1)	\$7.00	\$20.00	(R)
Over 32 thru 40 Kbps				
Frame for LAN	FCEALVI(EP3)	\$7.35	\$10.00	(R)
Frame for SNA	FCEALVI(EP2)	\$7.35	\$15.00	
Frame for Voice	FCEALVI(EP1)	\$9.00	\$20.00	(R)

⁽¹⁾ When the customer also subscribes to the Company's non-regulated Dedicated IP Service, the PVC nonrecurring charge will not apply.

ISSUED:
December 3, 2007

BY: Darlene N. Terry
Manager - Tariffs
5454 W. 110th Street
Overland Park, Kansas 66211

EFFECTIVE:
January 30, 2008

CANCELLED
February 1, 2009
Missouri Public
Service Commission
JI-2009-0528

FILED
Missouri Public
Service Commission

GENERAL EXCHANGE TARIFF

Embarq Missouri, Inc.
d/b/a **Embarq**

Second Revised Page 19 (C)
Cancels First Revised Page 19 (C)

FRAME RELAY SERVICE

VIII. RATES AND CHARGES (Cont'd)

C. Permanent Virtual Circuit (PVC) - IntraLATA (Cont'd)

CIR, per PVC	S&E Code	Monthly Rate	NRC ⁽¹⁾	(C)
Over 4 thru 10 Mbps				
Frame for LAN	FCEALVL(PP3)	\$170.00	\$10.00	
Frame for SNA	FCEALVL(PP2)	\$190.00	\$15.00	
Frame for Voice	FCEALVL(PP1)	\$215.00	\$20.00	
Over 10 thru 16 Mbps				
Frame for LAN	FCEALVL(QP3)	\$240.00	\$10.00	
Frame for SNA	FCEALVL(QP2)	\$265.00	\$15.00	
Frame for Voice	FCEALVL(QP1)	\$305.00	\$20.00	
Over 16 thru 34 Mbps				
Frame for LAN	FCEALVL(RP3)	\$270.00	\$10.00	
Frame for SNA	FCEALVL(RP2)	\$295.00	\$15.00	
Frame for Voice	FCEALVL(RP1)	\$335.00	\$20.00	
Over 34 thru 44.210 Mbps				
Frame for LAN	FCEALVL(SP3)	\$395.00	\$10.00	
Frame for SNA	FCEALVL(SP2)	\$435.00	\$15.00	
Frame for Voice	FCEALVL(SP1)	\$500.00	\$20.00	

D. Permanent Virtual Circuit (PVC) – InterLATA

Over 0 thru 8 Kbps				
Frame for LAN	FCEALVI(AP3)	\$3.00	\$10.00	
Frame for SNA	FCEALVI(AP2)	\$4.00	\$15.00	
Frame for Voice	FCEALVI(AP1)	\$5.00	\$20.00	
Over 8 thru 16 Kbps				
Frame for LAN	FCEALVI(BP3)	\$4.00	\$10.00	
Frame for SNA	FCEALVI(BP2)	\$5.00	\$15.00	
Frame for Voice	FCEALVI(BP1)	\$6.00	\$20.00	
Over 16 thru 24 Kbps				
Frame for LAN	FCEALVI(CP3)	\$6.00	\$10.00	
Frame for SNA	FCEALVI(CP2)	\$7.00	\$15.00	
Frame for Voice	FCEALVI(CP1)	\$8.00	\$20.00	
Over 24 thru 32 Kbps				
Frame for LAN	FCEALVI(DP3)	\$8.00	\$10.00	
Frame for SNA	FCEALVI(DP2)	\$9.00	\$15.00	
Frame for Voice	FCEALVI(DP1)	\$10.00	\$20.00	
Over 32 thru 40 Kbps				
Frame for LAN	FCEALVI(EP3)	\$11.00	\$10.00	
Frame for SNA	FCEALVI(EP2)	\$12.00	\$15.00	
Frame for Voice	FCEALVI(EP1)	\$14.00	\$20.00	

⁽¹⁾ When the customer also subscribes to the Company's non-regulated Dedicated IP Service, the PVC nonrecurring charge will not apply. (N)
(N)

ISSUED:
March 16, 2007

BY: Darlene N. Terry
Manager - Tariffs
5454 W. 110th Street
Overland Park, Kansas 66211

EFFECTIVE:
April 15, 2007

CANCELLED
January 30, 2008
Missouri Public
Service Commission

Filed
Missouri Public
Service Commission

GENERAL EXCHANGE TARIFF

SPRINT MISSOURI, INC.
d/b/a SPRINT

First Revised Page 19
Cancels Original Page 19

FRAME RELAY SERVICE

VIII. RATES AND CHARGES (Cont'd)

C. Permanent Virtual Circuit (PVC) - IntraLATA (Cont'd)

CIR, per PVC	S&E Code	Monthly Rate	NRC
Over 4 thru 10 Mbps			
Frame for LAN	FCEALVL(PP3)	\$170.00	\$10.00 (CR)
Frame for SNA	FCEALVL(PP2)	\$190.00	\$15.00
Frame for Voice	FCEALVL(PP1)	\$215.00	\$20.00 (CR)
Over 10 thru 16 Mbps			
Frame for LAN	FCEALVL(QP3)	\$240.00	\$10.00 (CR)
Frame for SNA	FCEALVL(QP2)	\$265.00	\$15.00
Frame for Voice	FCEALVL(QP1)	\$305.00	\$20.00 (CR)
Over 16 thru 34 Mbps			
Frame for LAN	FCEALVL(RP3)	\$270.00	\$10.00 (CR)
Frame for SNA	FCEALVL(RP2)	\$295.00	\$15.00
Frame for Voice	FCEALVL(RP1)	\$335.00	\$20.00 (CR)
Over 34 thru 44.210 Mbps			
Frame for LAN	FCEALVL(SP3)	\$395.00	\$10.00 (CR)
Frame for SNA	FCEALVL(SP2)	\$435.00	\$15.00
Frame for Voice	FCEALVL(SP1)	\$500.00	\$20.00 (CR)

D. Permanent Virtual Circuit (PVC) - InterLATA

Over 0 thru 8 Kbps			
Frame for LAN	FCEALVI(AP3)	\$3.00	\$10.00
Frame for SNA	FCEALVI(AP2)	\$4.00	\$15.00
Frame for Voice	FCEALVI(AP1)	\$5.00	\$20.00
Over 8 thru 16 Kbps			
Frame for LAN	FCEALVI(BP3)	\$4.00	\$10.00
Frame for SNA	FCEALVI(BP2)	\$5.00	\$15.00
Frame for Voice	FCEALVI(BP1)	\$6.00	\$20.00
Over 16 thru 24 Kbps			
Frame for LAN	FCEALVI(CP3)	\$6.00	\$10.00
Frame for SNA	FCEALVI(CP2)	\$7.00	\$15.00
Frame for Voice	FCEALVI(CP1)	\$8.00	\$20.00
Over 24 thru 32 Kbps			
Frame for LAN	FCEALVI(DP3)	\$8.00	\$10.00
Frame for SNA	FCEALVI(DP2)	\$9.00	\$15.00
Frame for Voice	FCEALVI(DP1)	\$10.00	\$20.00
Over 32 thru 40 Kbps			
Frame for LAN	FCEALVI(EP3)	\$11.00	\$10.00
Frame for SNA	FCEALVI(EP2)	\$12.00	\$15.00
Frame for Voice	FCEALVI(EP1)	\$14.00	\$20.00 (CR)

ISSUED:
October 27, 1999

BY: Richard D. Lawson
State Executive, External Affairs
319 Madison
Jefferson City, MO 65101

EFFECTIVE:
November 26, 1999

Cancelled

April 15, 2007

Missouri Public
Service Commission

GENERAL EXCHANGE TARIFF

SPRINT MISSOURI, INC.
d/b/a SPRINT

RECEIVED
Original Page 19
MAY 15 1998

FRAME RELAY SERVICE

MO. PUBLIC SERVICE COMM

VIII. RATES AND CHARGES (Cont'd)

C. Permanent Virtual Circuit (PVC) - IntraLATA (Cont'd)

CIR, per PVC	S&E Code	Monthly Rate	NRC
Over 4 thru 10 Mbps			
Frame for LAN	FCEALVL(PP3)	\$160.00	\$10.00
Frame for SNA	FCEALVL(PP2)	\$176.00	\$15.00
Frame for Voice	FCEALVL(PP1)	\$200.00	\$20.00
Over 10 thru 16 Mbps			
Frame for LAN	FCEALVL(QP3)	\$226.00	\$10.00
Frame for SNA	FCEALVL(QP2)	\$249.00	\$15.00
Frame for Voice	FCEALVL(QP1)	\$283.00	\$20.00
Over 16 thru 34 Mbps			
Frame for LAN	FCEALVL(RP3)	\$250.00	\$10.00
Frame for SNA	FCEALVL(RP2)	\$275.00	\$15.00
Frame for Voice	FCEALVL(RP1)	\$313.00	\$20.00
Over 34 thru 44.210 Mbps			
Frame for LAN	FCEALVL(SP3)	\$370.00	\$10.00
Frame for SNA	FCEALVL(SP2)	\$407.00	\$15.00
Frame for Voice	FCEALVL(SP1)	\$463.00	\$20.00

D. Permanent Virtual Circuit (PVC) - InterLATA

Over 0 thru 8 Kbps			
Frame for LAN	FCEALVI(AP3)	\$3.00	\$10.00
Frame for SNA	FCEALVI(AP2)	\$4.00	\$15.00
Frame for Voice	FCEALVI(AP1)	\$5.00	\$20.00
Over 8 thru 16 Kbps			
Frame for LAN	FCEALVI(BP3)	\$4.00	\$10.00
Frame for SNA	FCEALVI(BP2)	\$5.00	\$15.00
Frame for Voice	FCEALVI(BP1)	\$6.00	\$20.00
Over 16 thru 24 Kbps			
Frame for LAN	FCEALVI(CP3)	\$6.00	\$10.00
Frame for SNA	FCEALVI(CP2)	\$7.00	\$15.00
Frame for Voice	FCEALVI(CP1)	\$8.00	\$20.00
Over 24 thru 32 Kbps			
Frame for LAN	FCEALVI(DP3)	\$8.00	\$10.00
Frame for SNA	FCEALVI(DP2)	\$9.00	\$15.00
Frame for Voice	FCEALVI(DP1)	\$10.00	\$20.00
Over 32 thru 40 Kbps			
Frame for LAN	FCEALVI(EP3)	\$11.00	\$10.00
Frame for SNA	FCEALVI(EP2)	\$12.00	\$15.00
Frame for Voice	FCEALVI(EP1)	\$13.00	\$20.00

CANCELLED

NOV 26 1999
By *LSRS#19*
Public Service Commission
MISSOURI

FILED

ISSUED:
May 15, 1998

BY: Richard D. Lawson
State Executive, External Affairs
319 Madison
Jefferson City, MO 65101

EFFECTIVE:
June 16 1998

MISSOURI
Public Service Commission

GENERAL EXCHANGE TARIFF

Embarq Missouri, Inc.
d/b/a Embarq

Seventh Revised Page 20
Cancels Sixth Revised Page 20

FRAME RELAY SERVICE

VIII. RATES AND CHARGES (Cont'd)

D. Permanent Virtual Circuit (PVC) – InterLATA (Cont'd)

	<u>S&E Code</u>	<u>Monthly Rate</u>	<u>NRC</u>	(C)
Over 40 thru 48 Kbps				
Frame for LAN	FCEALVI(FP3)	\$ 10.00	\$10.00	
Frame for SNA	FCEALVI(FP2)	\$ 10.00	\$15.00	
Frame for Voice	FCEALVI(FP1)	\$ 10.00	\$20.00	
Over 48 thru 56 Kbps				
Frame for LAN	FCEALVI(GP3)	\$ 12.00	\$10.00	
Frame for SNA	FCEALVI(GP2)	\$ 12.00	\$15.00	
Frame for Voice	FCEALVI(GP1)	\$ 12.00	\$20.00	
Over 56 thru 64 Kbps				
Frame for LAN	FCEALVI(HP3)	\$ 15.00	\$10.00	
Frame for SNA	FCEALVI(HP2)	\$ 15.00	\$15.00	
Frame for Voice	FCEALVI(HP1)	\$ 15.00	\$20.00	
Over 64 thru 128 Kbps				
Frame for LAN	FCEALVI(IP3)	\$ 29.00	\$10.00	
Frame for SNA	FCEALVI(IP2)	\$ 20.00	\$15.00	
Frame for Voice	FCEALVI(IP1)	\$ 36.00	\$20.00	
Over 128 thru 256 Kbps				
Frame for LAN	FCEALVI(JP3)	\$ 38.00	\$10.00	
Frame for SNA	FCEALVI(JP2)	\$ 27.00	\$15.00	
Frame for Voice	FCEALVI(JP1)	\$ 48.00	\$20.00	
Over 256 thru 384 Kb				
Frame for LAN	FCEALVI(KP3)	\$ 31.00	\$10.00	
Frame for SNA	FCEALVI(KP2)	\$ 31.00	\$15.00	
Frame for Voice	FCEALVI(KP1)	\$ 31.00	\$20.00	
Over 384 thru 512 Kbps				
Frame for LAN	FCEALVI(LP3)	\$ 36.00	\$10.00	
Frame for SNA	FCEALVI(LP2)	\$ 36.00	\$15.00	
Frame for Voice	FCEALVI(LP1)	\$ 36.00	\$20.00	
Over 512 thru 768 Kbps				
Frame for LAN	FCEALVI(MP3)	\$ 58.00	\$10.00	
Frame for SNA	FCEALVI(MP2)	\$ 40.00	\$15.00	
Frame for Voice	FCEALVI(MP1)	\$ 40.00	\$20.00	
Over 768 thru 1.536 Mbps				
Frame for LAN	FCEALVI(NP3)	\$ 61.00	\$10.00	
Frame for SNA	FCEALVI(NP2)	\$ 61.00	\$15.00	
Frame for Voice	FCEALVI(NP1)	\$ 61.00	\$20.00	
Over 1.536 thru 4 Mbps				
Frame for LAN	FCEALVI(OP3)	\$ 132.00	\$10.00	
Frame for SNA	FCEALVI(OP2)	\$ 132.00	\$15.00	
Frame for Voice	FCEALVI(OP1)	\$ 132.00	\$20.00	

(D)
(D)

ISSUED:
March 6, 2009

BY: Darlene N. Terry
Manager - Tariffs
5454 W. 110th Street
Overland Park, Kansas 66211

EFFECTIVE:
April 5, 2009

P.S.C. MO.-No. 22 Section 21
GENERAL EXCHANGE TARIFF

Embarq Missouri, Inc.
d/b/a Embarq

Sixth Revised Page 20
Cancels Fifth Revised Page 20

FRAME RELAY SERVICE

VIII. RATES AND CHARGES (Cont'd)

D. Permanent Virtual Circuit (PVC) – InterLATA (Cont'd)

	<u>S&E Code</u>	<u>Monthly Rate</u>	<u>NRC</u> ⁽¹⁾	
Over 40 thru 48 Kbps				
Frame for LAN	FCEALVI(FP3)	\$ 10.00	\$10.00	(I)
Frame for SNA	FCEALVI(FP2)	\$ 10.00	\$15.00	(I)
Frame for Voice	FCEALVI(FP1)	\$ 10.00	\$20.00	(R)
Over 48 thru 56 Kbps				
Frame for LAN	FCEALVI(GP3)	\$ 12.00	\$10.00	(I)
Frame for SNA	FCEALVI(GP2)	\$ 12.00	\$15.00	(I)
Frame for Voice	FCEALVI(GP1)	\$ 12.00	\$20.00	(R)
Over 56 thru 64 Kbps				
Frame for LAN	FCEALVI(HP3)	\$ 15.00	\$10.00	(I)
Frame for SNA	FCEALVI(HP2)	\$ 15.00	\$15.00	(I)
Frame for Voice	FCEALVI(HP1)	\$ 15.00	\$20.00	(R)
Over 64 thru 128 Kbps				
Frame for LAN	FCEALVI(IP3)	\$ 29.00	\$10.00	
Frame for SNA	FCEALVI(IP2)	\$ 20.00	\$15.00	(R)
Frame for Voice	FCEALVI(IP1)	\$ 36.00	\$20.00	
Over 128 thru 256 Kbps				
Frame for LAN	FCEALVI(JP3)	\$ 38.00	\$10.00	
Frame for SNA	FCEALVI(JP2)	\$ 27.00	\$15.00	(R)
Frame for Voice	FCEALVI(JP1)	\$ 48.00	\$20.00	
Over 256 thru 384 Kb				
Frame for LAN	FCEALVI(KP3)	\$ 31.00	\$10.00	(R)
Frame for SNA	FCEALVI(KP2)	\$ 31.00	\$15.00	
Frame for Voice	FCEALVI(KP1)	\$ 31.00	\$20.00	(R)
Over 384 thru 512 Kbps				
Frame for LAN	FCEALVI(LP3)	\$ 36.00	\$10.00	(R)
Frame for SNA	FCEALVI(LP2)	\$ 36.00	\$15.00	
Frame for Voice	FCEALVI(LP1)	\$ 36.00	\$20.00	(R)
Over 512 thru 768 Kbps				
Frame for LAN	FCEALVI(MP3)	\$ 58.00	\$10.00	
Frame for SNA	FCEALVI(MP2)	\$ 40.00	\$15.00	(R)
Frame for Voice	FCEALVI(MP1)	\$ 40.00	\$20.00	(R)
Over 768 thru 1.536 Mbps				
Frame for LAN	FCEALVI(NP3)	\$ 61.00	\$10.00	(R)
Frame for SNA	FCEALVI(NP2)	\$ 61.00	\$15.00	
Frame for Voice	FCEALVI(NP1)	\$ 61.00	\$20.00	(R)
Over 1.536 thru 4 Mbps				
Frame for LAN	FCEALVI(OP3)	\$ 132.00	\$10.00	(I)
Frame for SNA	FCEALVI(OP2)	\$ 132.00	\$15.00	(I)
Frame for Voice	FCEALVI(OP1)	\$ 132.00	\$20.00	(R)

⁽¹⁾ When the customer also subscribes to the Company's non-regulated Dedicated IP Service, the PVC nonrecurring charge will not apply.

ISSUED:
January 20, 2009

BY: Darlene N. Terry
Manager - Tariffs
5454 W. 110th Street
Overland Park, Kansas 66211

EFFECTIVE:
February 1, 2009

P.S.C. MO.-No. 22 Section 21
GENERAL EXCHANGE TARIFF

Embarq Missouri, Inc.
d/b/a Embarq

Fifth Revised Page 20
Cancels Fourth Revised Page 20

FRAME RELAY SERVICE

VIII. RATES AND CHARGES (Cont'd)

D. Permanent Virtual Circuit (PVC) – InterLATA (Cont'd)

	<u>S&E Code</u>	<u>Monthly Rate</u>	<u>NRC</u> ⁽¹⁾	
Over 40 thru 48 Kbps				
Frame for LAN	FCEALVI(FP3)	\$ 9.45	\$10.00	(R)
Frame for SNA	FCEALVI(FP2)	\$ 9.45	\$15.00	
Frame for Voice	FCEALVI(FP1)	\$12.00	\$20.00	(R)
Over 48 thru 56 Kbps				
Frame for LAN	FCEALVI(GP3)	\$11.55	\$10.00	(R)
Frame for SNA	FCEALVI(GP2)	\$11.55	\$15.00	
Frame for Voice	FCEALVI(GP1)	\$15.00	\$20.00	(R)
Over 56 thru 64 Kbps				
Frame for LAN	FCEALVI(HP3)	\$14.70	\$10.00	(R)
Frame for SNA	FCEALVI(HP2)	\$14.70	\$15.00	
Frame for Voice	FCEALVI(HP1)	\$18.00	\$20.00	(R)
Over 64 thru 128 Kbps				
Frame for LAN	FCEALVI(IP3)	\$29.00	\$10.00	
Frame for SNA	FCEALVI(IP2)	\$29.00	\$15.00	(R)
Frame for Voice	FCEALVI(IP1)	\$36.00	\$20.00	
Over 128 thru 256 Kbps				
Frame for LAN	FCEALVI(JP3)	\$38.00	\$10.00	
Frame for SNA	FCEALVI(JP2)	\$38.00	\$15.00	(R)
Frame for Voice	FCEALVI(JP1)	\$48.00	\$20.00	
Over 256 thru 384 Kbps				
Frame for LAN	FCEALVI(KP3)	\$40.00	\$10.00	(R)
Frame for SNA	FCEALVI(KP2)	\$40.00	\$15.00	(R)
Frame for Voice	FCEALVI(KP1)	\$57.00	\$20.00	
Over 384 thru 512 Kbps				
Frame for LAN	FCEALVI(LP3)	\$51.00	\$10.00	
Frame for SNA	FCEALVI(LP2)	\$51.00	\$15.00	(R)
Frame for Voice	FCEALVI(LP1)	\$64.00	\$20.00	
Over 512 thru 768 Kbps				
Frame for LAN	FCEALVI(MP3)	\$58.00	\$10.00	
Frame for SNA	FCEALVI(MP2)	\$58.00	\$15.00	(R)
Frame for Voice	FCEALVI(MP1)	\$73.00	\$20.00	
Over 768 thru 1.536 Mbps				
Frame for LAN	FCEALVI(NP3)	\$61.95	\$10.00	(R)
Frame for SNA	FCEALVI(NP2)	\$61.95	\$15.00	
Frame for Voice	FCEALVI(NP1)	\$74.00	\$20.00	(R)
Over 1.536 thru 4 Mbps				
Frame for LAN	FCEALVI(OP3)	\$120.00	\$10.00	(R)
Frame for SNA	FCEALVI(OP2)	\$120.00	\$15.00	
Frame for Voice	FCEALVI(OP1)	\$150.00	\$20.00	(R)

⁽¹⁾ When the customer also subscribes to the Company's non-regulated Dedicated IP Service, the PVC nonrecurring charge will not apply.

ISSUED:
December 3, 2007

BY: Darlene N. Terry
Manager - Tariffs
5454 W. 110th Street
Overland Park, Kansas 66211

EFFECTIVE:
January 30, 2008

CANCELLED
February 1, 2009
Missouri Public
Service Commission
JI-2009-0528

FILED
Missouri Public
Service Commission

GENERAL EXCHANGE TARIFF

Embarq Missouri, Inc.
d/b/a Embarq

Fourth Revised Page 20
Cancels Third Revised Page 20

FRAME RELAY SERVICE

VIII. RATES AND CHARGES (Cont'd)

D. Permanent Virtual Circuit (PVC) – InterLATA (Cont'd)

	<u>S&E Code</u>	<u>Monthly Rate</u>	<u>NRC</u> ⁽¹⁾	(C)
Over 40 thru 48 Kbps				
Frame for LAN	FCEALVI(FP3)	\$15.00	\$10.00	
Frame for SNA	FCEALVI(FP2)	\$16.00	\$15.00	
Frame for Voice	FCEALVI(FP1)	\$18.00	\$20.00	
Over 48 thru 56 Kbps				
Frame for LAN	FCEALVI(GP3)	\$18.00	\$10.00	
Frame for SNA	FCEALVI(GP2)	\$20.00	\$15.00	
Frame for Voice	FCEALVI(GP1)	\$22.00	\$20.00	
Over 56 thru 64 Kbps				
Frame for LAN	FCEALVI(HP3)	\$21.00	\$10.00	
Frame for SNA	FCEALVI(HP2)	\$23.00	\$15.00	
Frame for Voice	FCEALVI(HP1)	\$27.00	\$20.00	
Over 64 thru 128 Kbps				
Frame for LAN	FCEALVI(IP3)	\$29.00	\$10.00	
Frame for SNA	FCEALVI(IP2)	\$32.00	\$15.00	
Frame for Voice	FCEALVI(IP1)	\$36.00	\$20.00	
Over 128 thru 256 Kbps				
Frame for LAN	FCEALVI(JP3)	\$38.00	\$10.00	
Frame for SNA	FCEALVI(JP2)	\$43.00	\$15.00	
Frame for Voice	FCEALVI(JP1)	\$48.00	\$20.00	
Over 256 thru 384 Kbps				
Frame for LAN	FCEALVI(KP3)	\$45.00	\$10.00	
Frame for SNA	FCEALVI(KP2)	\$49.00	\$15.00	
Frame for Voice	FCEALVI(KP1)	\$57.00	\$20.00	
Over 384 thru 512 Kbps				
Frame for LAN	FCEALVI(LP3)	\$51.00	\$10.00	
Frame for SNA	FCEALVI(LP2)	\$57.00	\$15.00	
Frame for Voice	FCEALVI(LP1)	\$64.00	\$20.00	
Over 512 thru 768 Kbps				
Frame for LAN	FCEALVI(MP3)	\$58.00	\$10.00	
Frame for SNA	FCEALVI(MP2)	\$64.00	\$15.00	
Frame for Voice	FCEALVI(MP1)	\$73.00	\$20.00	
Over 768 thru 1.536 Mbps				
Frame for LAN	FCEALVI(NP3)	\$89.00	\$10.00	(D)
Frame for SNA	FCEALVI(NP2)	\$98.00	\$15.00	
Frame for Voice	FCEALVI(NP1)	\$112.00	\$20.00	
Over 1.536 thru 4 Mbps				
Frame for LAN	FCEALVI(OP3)	\$180.00	\$10.00	
Frame for SNA	FCEALVI(OP2)	\$200.00	\$15.00	
Frame for Voice	FCEALVI(OP1)	\$225.00	\$20.00	

⁽¹⁾ When the customer also subscribes to the Company's **non-regulated Dedicated IP Service**, the **PVC nonrecurring** charge will not apply. (C)
(C)

ISSUED:
March 16, 2007

BY: Darlene N. Terry
Manager - Tariffs
5454 W. 110th Street
Overland Park, Kansas 66211

EFFECTIVE:
April 15, 2007

CANCELLED
January 30, 2008
Missouri Public
Service Commission

Filed
Missouri Public
Service Commission

GENERAL EXCHANGE TARIFF

EMBARQ MISSOURI, INC.
d/b/a EMBARQ

Third Revised Page 20 (C)
Cancels Second Revised Page 20 (C)

FRAME RELAY SERVICE

VIII. RATES AND CHARGES (Cont'd)

D. Permanent Virtual Circuit (PVC) – InterLATA (Cont'd)

	S&E Code	Monthly Rate	NRC	
Over 40 thru 48 Kbps				
Frame for LAN	FCEALVI(FP3)	\$15.00	\$10.00	
Frame for SNA	FCEALVI(FP2)	\$16.00	\$15.00	
Frame for Voice	FCEALVI(FP1)	\$18.00	\$20.00	
Over 48 thru 56 Kbps				
Frame for LAN	FCEALVI(GP3)	\$18.00	\$10.00	
Frame for SNA	FCEALVI(GP2)	\$20.00	\$15.00	
Frame for Voice	FCEALVI(GP1)	\$22.00	\$20.00	
Over 56 thru 64 Kbps				
Frame for LAN	FCEALVI(HP3)	\$21.00	\$10.00	
Frame for SNA	FCEALVI(HP2)	\$23.00	\$15.00	
Frame for Voice	FCEALVI(HP1)	\$27.00	\$20.00	
Over 64 thru 128 Kbps				
Frame for LAN	FCEALVI(IP3)	\$29.00	\$10.00	
Frame for SNA	FCEALVI(IP2)	\$32.00	\$15.00	
Frame for Voice	FCEALVI(IP1)	\$36.00	\$20.00	
Over 128 thru 256 Kbps				
Frame for LAN	FCEALVI(JP3)	\$38.00	\$10.00	
Frame for SNA	FCEALVI(JP2)	\$43.00	\$15.00	
Frame for Voice	FCEALVI(JP1)	\$48.00	\$20.00	
Over 256 thru 384 Kbps				
Frame for LAN	FCEALVI(KP3)	\$45.00	\$10.00	
Frame for SNA	FCEALVI(KP2)	\$49.00	\$15.00	
Frame for Voice	FCEALVI(KP1)	\$57.00	\$20.00	
Over 384 thru 512 Kbps				
Frame for LAN	FCEALVI(LP3)	\$51.00	\$10.00	
Frame for SNA	FCEALVI(LP2)	\$57.00	\$15.00	
Frame for Voice	FCEALVI(LP1)	\$64.00	\$20.00	
Over 512 thru 768 Kbps				
Frame for LAN	FCEALVI(MP3)	\$58.00	\$10.00	
Frame for SNA	FCEALVI(MP2)	\$64.00	\$15.00	
Frame for Voice	FCEALVI(MP1)	\$73.00	\$20.00	
Over 768 thru 1.536 Mbps				
Frame for LAN	FCEALVI(NP3)	\$89.00	\$10.00*	(T)
Frame for SNA	FCEALVI(NP2)	\$98.00	\$15.00	
Frame for Voice	FCEALVI(NP1)	\$112.00	\$20.00	
Over 1.536 thru 4 Mbps				
Frame for LAN	FCEALVI(OP3)	\$180.00	\$10.00	
Frame for SNA	FCEALVI(OP2)	\$200.00	\$15.00	
Frame for Voice	FCEALVI(OP1)	\$225.00	\$20.00	

* When the customer also subscribes to the Company's non-regulated 1.5 Mbps Dedicated IP Service, the 1.5 PVC (InterLATA) nonrecurring charge will not apply. (N)
(N)

ISSUED:
May 31, 2006

BY: Chad Eckhart
Vice President, Regulatory Affairs
6450 Sprint Parkway
Overland Park, Kansas 66251

EFFECTIVE:
June 30, 2006

GENERAL EXCHANGE TARIFF

SPRINT MISSOURI, INC.
d/b/a SPRINT

Second Revised Page 20
Cancels First Revised Page 20

FRAME RELAY SERVICE

VIII. RATES AND CHARGES (Cont'd)

D. Permanent Virtual Circuit (PVC) - InterLATA (Cont'd)

	S&E Code	Monthly Rate	NRC	(AT) (AT)
Over 40 thru 48 Kbps				
Frame for LAN	FCEALVI(FP3)	\$15.00	\$10.00	
Frame for SNA	FCEALVI(FP2)	\$16.00	\$15.00	
Frame for Voice	FCEALVI(FP1)	\$18.00	\$20.00	
Over 48 thru 56 Kbps				
Frame for LAN	FCEALVI(GP3)	\$18.00	\$10.00	
Frame for SNA	FCEALVI(GP2)	\$20.00	\$15.00	
Frame for Voice	FCEALVI(GP1)	\$22.00	\$20.00	
Over 56 thru 64 Kbps				
Frame for LAN	FCEALVI(HP3)	\$21.00	\$10.00	
Frame for SNA	FCEALVI(HP2)	\$23.00	\$15.00	
Frame for Voice	FCEALVI(HP1)	\$27.00	\$20.00	
Over 64 thru 128 Kbps				
Frame for LAN	FCEALVI(IP3)	\$29.00	\$10.00	
Frame for SNA	FCEALVI(IP2)	\$32.00	\$15.00	
Frame for Voice	FCEALVI(IP1)	\$36.00	\$20.00	
Over 128 thru 256 Kbps				
Frame for LAN	FCEALVI(JP3)	\$38.00	\$10.00	
Frame for SNA	FCEALVI(JP2)	\$43.00	\$15.00	
Frame for Voice	FCEALVI(JP1)	\$48.00	\$20.00	
Over 256 thru 384 Kbps				
Frame for LAN	FCEALVI(KP3)	\$45.00	\$10.00	
Frame for SNA	FCEALVI(KP2)	\$49.00	\$15.00	
Frame for Voice	FCEALVI(KP1)	\$57.00	\$20.00	
Over 384 thru 512 Kbps				
Frame for LAN	FCEALVI(LP3)	\$51.00	\$10.00	
Frame for SNA	FCEALVI(LP2)	\$57.00	\$15.00	
Frame for Voice	FCEALVI(LP1)	\$64.00	\$20.00	
Over 512 thru 768 Kbps				
Frame for LAN	FCEALVI(MP3)	\$58.00	\$10.00	
Frame for SNA	FCEALVI(MP2)	\$64.00	\$15.00	
Frame for Voice	FCEALVI(MP1)	\$73.00	\$20.00	
Over 768 thru 1.536 Mbps				
Frame for LAN	FCEALVI(NP3)	\$89.00	\$10.00	
Frame for SNA	FCEALVI(NP2)	\$98.00	\$15.00	
Frame for Voice	FCEALVI(NP1)	\$112.00	\$20.00	
Over 1.536 thru 4 Mbps				
Frame for LAN	FCEALVI(OP3)	\$180.00	\$10.00	
Frame for SNA	FCEALVI(OP2)	\$200.00	\$15.00	
Frame for Voice	FCEALVI(OP1)	\$225.00	\$20.00	

ISSUED:
January 26, 2000

BY: Richard D. Lawson
State Executive, External Affairs
319 Madison
Jefferson City, MO 65101

EFFECTIVE:
March 24, 2000

Cancelled

June 30, 2006

Missouri Public
Service Commission

Filed

Missouri Public
Service Commission

GENERAL EXCHANGE TARIFF

SPRINT MISSOURI, INC.
d/b/a SPRINT

First Revised Page 20
Cancels Original Page 20

FRAME RELAY SERVICE

Missouri Public
Service Commission

VIII. RATES AND CHARGES (Cont'd)

REC'D OCT 27 1999

D. Permanent Virtual Circuit (PVC) - InterLATA (Cont'd)

Over 40 thru 48 Kbps				
Frame for LAN	FCEALVI (FP3)	\$15.00	\$10.00	(CR)
Frame for SNA	FCEALVI (FP2)	\$16.00	\$15.00	
Frame for Voice	FCEALVI (FP1)	\$18.00	\$20.00	(CR)
Over 48 thru 56 Kbps				
Frame for LAN	FCEALVI (GP3)	\$18.00	\$10.00	(CR)
Frame for SNA	FCEALVI (GP2)	\$20.00	\$15.00	
Frame for Voice	FCEALVI (GP1)	\$22.00	\$20.00	(CR)
Over 56 thru 64 Kbps				
Frame for LAN	FCEALVI (HP3)	\$21.00	\$10.00	(CR)
Frame for SNA	FCEALVI (HP2)	\$23.00	\$15.00	
Frame for Voice	FCEALVI (HP1)	\$27.00	\$20.00	(CR)
Over 64 thru 128 Kbps				
Frame for LAN	FCEALVI (IP3)	\$29.00	\$10.00	(CR)
Frame for SNA	FCEALVI (IP2)	\$32.00	\$15.00	
Frame for Voice	FCEALVI (IP1)	\$36.00	\$20.00	(CR)
Over 128 thru 256 Kbps				
Frame for LAN	FCEALVI (JP3)	\$38.00	\$10.00	(CR)
Frame for SNA	FCEALVI (JP2)	\$43.00	\$15.00	
Frame for Voice	FCEALVI (JP1)	\$48.00	\$20.00	(CR)
Over 256 thru 384 Kbps				
Frame for LAN	FCEALVI (KP3)	\$45.00	\$10.00	(CR)
Frame for SNA	FCEALVI (KP2)	\$49.00	\$15.00	
Frame for Voice	FCEALVI (KP1)	\$57.00	\$20.00	(CR)
Over 384 thru 512 Kbps				
Frame for LAN	FCEALVI (LP3)	\$51.00	\$10.00	(CR)
Frame for SNA	FCEALVI (LP2)	\$57.00	\$15.00	
Frame for Voice	FCEALVI (LP1)	\$64.00	\$20.00	(CR)
Over 512 thru 768 Kbps				
Frame for LAN	FCEALVI (MP3)	\$58.00	\$10.00	(CR)
Frame for SNA	FCEALVI (MP2)	\$64.00	\$15.00	
Frame for Voice	FCEALVI (MP1)	\$73.00	\$20.00	(CR)
Over 768 thru 1.536 Mbps				
Frame for LAN	FCEALVI (NP3)	\$89.00	\$10.00	(CR)
Frame for SNA	FCEALVI (NP2)	\$98.00	\$15.00	
Frame for Voice	FCEALVI (NP1)	\$112.00	\$20.00	(CR)
Over 1.536 thru 4 Mbps				
Frame for LAN	FCEALVI (OP3)	\$180.00	\$10.00	
Frame for SNA	FCEALVI (OP2)	\$200.00	\$15.00	(CR)
Frame for Voice	FCEALVI (OP1)	\$225.00	\$20.00	

CANCELLED

MAR 24 2000

By *2nd R P 20*
Public Service Commission
MISSOURI

ISSUED:
October 27, 1999

BY: Richard D. Lawson
State Executive, External Affairs
319 Madison
Jefferson City, MO 65101

Missouri Public
Service Commission

FILED NOV 23 1999

EFFECTIVE:
November 26, 1999

GENERAL EXCHANGE TARIFF

SPRINT MISSOURI, INC.
d/b/a SPRINT

RECEIVED
Original Page 20
MAY 15 1998

FRAME RELAY SERVICE

MO. PUBLIC SERVICE COMM

VIII. RATES AND CHARGES (Cont'd)

D. Permanent Virtual Circuit (PVC) - InterLATA (Cont'd)

Over 40 thru 48 Kbps			
Frame for LAN	FCEALVI (FP3)	\$14.00	\$10.00
Frame for SNA	FCEALVI (FP2)	\$15.00	\$15.00
Frame for Voice	FCEALVI (FP1)	\$17.00	\$20.00
Over 48 thru 56 Kbps			
Frame for LAN	FCEALVI (GP3)	\$17.00	\$10.00
Frame for SNA	FCEALVI (GP2)	\$19.00	\$15.00
Frame for Voice	FCEALVI (GP1)	\$21.00	\$20.00
Over 56 thru 64 Kbps			
Frame for LAN	FCEALVI (HP3)	\$20.00	\$10.00
Frame for SNA	FCEALVI (HP2)	\$22.00	\$15.00
Frame for Voice	FCEALVI (HP1)	\$25.00	\$20.00
Over 64 thru 128 Kbps			
Frame for LAN	FCEALVI (IP3)	\$27.00	\$10.00
Frame for SNA	FCEALVI (IP2)	\$30.00	\$15.00
Frame for Voice	FCEALVI (IP1)	\$34.00	\$20.00
Over 128 thru 256 Kbps			
Frame for LAN	FCEALVI (JP3)	\$36.00	\$10.00
Frame for SNA	FCEALVI (JP2)	\$40.00	\$15.00
Frame for Voice	FCEALVI (JP1)	\$45.00	\$20.00
Over 256 thru 384 Kbps			
Frame for LAN	FCEALVI (KP3)	\$42.00	\$10.00
Frame for SNA	FCEALVI (KP2)	\$46.00	\$15.00
Frame for Voice	FCEALVI (KP1)	\$53.00	\$20.00
Over 384 thru 512 Kbps			
Frame for LAN	FCEALVI (LP3)	\$48.00	\$10.00
Frame for SNA	FCEALVI (LP2)	\$53.00	\$15.00
Frame for Voice	FCEALVI (LP1)	\$60.00	\$20.00
Over 512 thru 768 Kbps			
Frame for LAN	FCEALVI (MP3)	\$54.00	\$10.00
Frame for SNA	FCEALVI (MP2)	\$60.00	\$15.00
Frame for Voice	FCEALVI (MP1)	\$68.00	\$20.00
Over 768 thru 1.536 Mbps			
Frame for LAN	FCEALVI (NP3)	\$83.00	\$10.00
Frame for SNA	FCEALVI (NP2)	\$91.00	\$15.00
Frame for Voice	FCEALVI (NP1)	\$104.00	\$20.00
Over 1.536 thru 4 Mbps			
Frame for LAN	FCEALVI (OP3)	\$180.00	\$10.00
Frame for SNA	FCEALVI (OP2)	\$198.00	\$15.00
Frame for Voice	FCEALVI (OP1)	\$225.00	\$20.00

CANCELLED

NOV 26 1999
By *ls RS#20*
Public Service Commission
MISSOURI

ISSUED:
May 15, 1998

BY: Richard D. Lawson
State Executive, External Affairs
319 Madison
Jefferson City, MO 65101

FILED
EFFECTIVE:
June 16, 1998
JUN 16 1998

MISSOURI
Public Service Commission

GENERAL EXCHANGE TARIFF

Embarq Missouri, Inc.
d/b/a Embarq

Sixth Revised Page 21
Cancels Fifth Revised Page 21

FRAME RELAY SERVICE

VIII. RATES AND CHARGES (Cont'd)

D. Permanent Virtual Circuit (PVC) – InterLATA (Cont'd)

	<u>S&E Code</u>	<u>Monthly Rate</u>	<u>NRC</u>	(C)
Over 4 thru 10 Mbps				
Frame for LAN	FCEALVI(PP3)	\$176.00	\$10.00	
Frame for SNA	FCEALVI(PP2)	\$176.00	\$15.00	
Frame for Voice	FCEALVI(PP1)	\$176.00	\$20.00	
Over 10 thru 16 Mbps				
Frame for LAN	FCEALVI(QP3)	\$249.00	\$10.00	
Frame for SNA	FCEALVI(QP2)	\$249.00	\$15.00	
Frame for Voice	FCEALVI(QP1)	\$249.00	\$20.00	
Over 16 thru 34 Mbps				
Frame for LAN	FCEALVI(RP3)	\$275.00	\$10.00	
Frame for SNA	FCEALVI(RP2)	\$275.00	\$15.00	
Frame for Voice	FCEALVI(RP1)	\$275.00	\$20.00	
Over 34 thru 44.210 Mbps				
Frame for LAN	FCEALVI(SP3)	\$407.00	\$10.00	
Frame for SNA	FCEALVI(SP2)	\$407.00	\$15.00	
Frame for Voice	FCEALVI(SP1)	\$407.00	\$20.00	

VIII. RATES AND CHARGES (Cont'd)

E. An administrative charge will be applied whenever a change is made to a customer's frame relay configuration (including changes to an existing group's addressing), at the customer's request. Such changes are defined as those rearrangements necessary to add, delete or rearrange the customer's configuration and changes of CIR on a PVC.

Administrative Charge (Nonrecurring) \$50.00

F. Private Network-to-Network Interface (Private NNI)

1.544 Mbps NNI	<u>S&E Code</u>	<u>Monthly Rate</u>	<u>NRC</u>
Month to month	FCECRTA	\$210.00	\$395.00
12-23 months	FCECRTA(1YR)	\$185.00	N/A
24-35 months	FCECRTA(2YR)	\$165.00	N/A
36-59 months	FCECRTA(3YR)	\$145.00	N/A
60-84 months	FCECRTA(5YR)	\$135.00	N/A

(D)
(D)

ISSUED:
March 6, 2009

BY: Darlene N. Terry
Manager - Tariffs
5454 W. 110th Street
Overland Park, Kansas 66211

EFFECTIVE:
April 5, 2009

GENERAL EXCHANGE TARIFF

Embarq Missouri, Inc.
d/b/a Embarq

Fifth Revised Page 21
Cancels Fourth Revised Page 21

FRAME RELAY SERVICE

VIII. RATES AND CHARGES (Cont'd)

D. Permanent Virtual Circuit (PVC) – InterLATA (Cont'd)

	<u>S&E Code</u>	<u>Monthly Rate</u>	<u>NRC</u> ⁽¹⁾	
Over 4 thru 10 Mbps				
Frame for LAN	FCEALVI(PP3)	\$176.00	\$10.00	(I)
Frame for SNA	FCEALVI(PP2)	\$176.00	\$15.00	(I)
Frame for Voice	FCEALVI(PP1)	\$176.00	\$20.00	(R)
Over 10 thru 16 Mbps				
Frame for LAN	FCEALVI(QP3)	\$249.00	\$10.00	(I)
Frame for SNA	FCEALVI(QP2)	\$249.00	\$15.00	(I)
Frame for Voice	FCEALVI(QP1)	\$249.00	\$20.00	(R)
Over 16 thru 34 Mbps				
Frame for LAN	FCEALVI(RP3)	\$275.00	\$10.00	(I)
Frame for SNA	FCEALVI(RP2)	\$275.00	\$15.00	(I)
Frame for Voice	FCEALVI(RP1)	\$275.00	\$20.00	(R)
Over 34 thru 44.210 Mbps				
Frame for LAN	FCEALVI(SP3)	\$407.00	\$10.00	(I)
Frame for SNA	FCEALVI(SP2)	\$407.00	\$15.00	(I)
Frame for Voice	FCEALVI(SP1)	\$407.00	\$20.00	(R)

VIII. RATES AND CHARGES (Cont'd)

E. An administrative charge will be applied whenever a change is made to a customer's frame relay configuration (including changes to an existing group's addressing), at the customer's request. Such changes are defined as those rearrangements necessary to add, delete or rearrange the customer's configuration and changes of CIR on a PVC.

Administrative Charge (Nonrecurring) \$50.00

F. Private Network-to-Network Interface (Private NNI)

1.544 Mbps NNI	<u>S&E Code</u>	<u>Monthly Rate</u>	<u>NRC</u>
Month to month	FCECRTA	\$210.00	\$395.00
12-23 months	FCECRTA(1YR)	\$185.00	N/A
24-35 months	FCECRTA(2YR)	\$165.00	N/A
36-59 months	FCECRTA(3YR)	\$145.00	N/A
60-84 months	FCECRTA(5YR)	\$135.00	N/A

⁽¹⁾ When the customer also subscribes to the Company's non-regulated Dedicated IP Service, the PVC nonrecurring charge will not apply.

ISSUED:
January 20, 2009

BY: Darlene N. Terry
Manager - Tariffs
5454 W. 110th Street
Overland Park, Kansas 66211

EFFECTIVE:
February 1, 2009

GENERAL EXCHANGE TARIFF

Embarq Missouri, Inc.
d/b/a Embarq

Fourth Revised Page 21
Cancels Third Revised Page 21

FRAME RELAY SERVICE

VIII. RATES AND CHARGES (Cont'd)

D. Permanent Virtual Circuit (PVC) – InterLATA (Cont'd)

	<u>S&E Code</u>	<u>Monthly Rate</u>	<u>NRC</u> ⁽¹⁾	
Over 4 thru 10 Mbps				
Frame for LAN	FCEALVI(PP3)	\$170.00	\$10.00	(R)
Frame for SNA	FCEALVI(PP2)	\$170.00	\$15.00	
Frame for Voice	FCEALVI(PP1)	\$215.00	\$20.00	(R)
Over 10 thru 16 Mbps				
Frame for LAN	FCEALVI(QP3)	\$240.00	\$10.00	(R)
Frame for SNA	FCEALVI(QP2)	\$240.00	\$15.00	
Frame for Voice	FCEALVI(QP1)	\$305.00	\$20.00	(R)
Over 16 thru 34 Mbps				
Frame for LAN	FCEALVI(RP3)	\$270.00	\$10.00	(R)
Frame for SNA	FCEALVI(RP2)	\$270.00	\$15.00	
Frame for Voice	FCEALVI(RP1)	\$335.00	\$20.00	(R)
Over 34 thru 44.210 Mbps				
Frame for LAN	FCEALVI(SP3)	\$395.00	\$10.00	(R)
Frame for SNA	FCEALVI(SP2)	\$395.00	\$15.00	
Frame for Voice	FCEALVI(SP1)	\$500.00	\$20.00	(R)

VIII. RATES AND CHARGES (Cont'd)

E. An administrative charge will be applied whenever a change is made to a customer's frame relay configuration (including changes to an existing group's addressing), at the customer's request. Such changes are defined as those rearrangements necessary to add, delete or rearrange the customer's configuration and changes of CIR on a PVC.

Administrative Charge (Nonrecurring) \$50.00

F. Private Network-to-Network Interface (Private NNI)

1.544 Mbps NNI	<u>S&E Code</u>	<u>Monthly Rate</u>	<u>NRC</u>
Month to month	FCECRTA	\$210.00	\$395.00
12-23 months	FCECRTA(1YR)	\$185.00	N/A
24-35 months	FCECRTA(2YR)	\$165.00	N/A
36-59 months	FCECRTA(3YR)	\$145.00	N/A
60-84 months	FCECRTA(5YR)	\$135.00	N/A

⁽¹⁾ When the customer also subscribes to the Company's non-regulated Dedicated IP Service, the PVC nonrecurring charge will not apply.

ISSUED:
December 3, 2007

BY: Darlene N. Terry
Manager - Tariffs
5454 W. 110th Street
Overland Park, Kansas 66211

EFFECTIVE:
January 30, 2008

GENERAL EXCHANGE TARIFF

Embarq Missouri, Inc.
d/b/a **Embarq**

Third Revised Page 21 (C)
Cancels Second Revised Page 21 (C)

FRAME RELAY SERVICE

VIII. RATES AND CHARGES (Cont'd)

D. Permanent Virtual Circuit (PVC) – InterLATA (Cont'd)

	<u>S&E Code</u>	<u>Monthly Rate</u>	<u>NRC</u> ⁽¹⁾	(C)
Over 4 thru 10 Mbps				
Frame for LAN	FCEALVI(PP3)	\$255.00	\$10.00	
Frame for SNA	FCEALVI(PP2)	\$285.00	\$15.00	
Frame for Voice	FCEALVI(PP1)	\$320.00	\$20.00	
Over 10 thru 16 Mbps				
Frame for LAN	FCEALVI(QP3)	\$360.00	\$10.00	
Frame for SNA	FCEALVI(QP2)	\$400.00	\$15.00	
Frame for Voice	FCEALVI(QP1)	\$455.00	\$20.00	
Over 16 thru 34 Mbps				
Frame for LAN	FCEALVI(RP3)	\$405.00	\$10.00	
Frame for SNA	FCEALVI(RP2)	\$445.00	\$15.00	
Frame for Voice	FCEALVI(RP1)	\$505.00	\$20.00	
Over 34 thru 44.210 Mbps				
Frame for LAN	FCEALVI(SP3)	\$595.00	\$10.00	
Frame for SNA	FCEALVI(SP2)	\$655.00	\$15.00	
Frame for Voice	FCEALVI(SP1)	\$745.00	\$20.00	

VIII. RATES AND CHARGES (Cont'd)

E. An administrative charge will be applied whenever a change is made to a customer's frame relay configuration (including changes to an existing group's addressing), at the customer's request. Such changes are defined as those rearrangements necessary to add, delete or rearrange the customer's configuration and changes of CIR on a PVC.

Administrative Charge (Nonrecurring) \$50.00

F. Private Network-to-Network Interface (Private NNI)

1.544 Mbps NNI	<u>S&E Code</u>	<u>Monthly Rate</u>	<u>NRC</u>
Month to month	FCECRTA	\$210.00	\$395.00
12-23 months	FCECRTA(1YR)	\$185.00	N/A
24-35 months	FCECRTA(2YR)	\$165.00	N/A
36-59 months	FCECRTA(3YR)	\$145.00	N/A
60-84 months	FCECRTA(5YR)	\$135.00	N/A

⁽¹⁾ **When the customer also subscribes to the Company's non-regulated Dedicated IP Service, the PVC nonrecurring charge will not apply.** (N)
(N)

ISSUED:
March 16, 2007

BY: Darlene N. Terry
Manager - Tariffs
5454 W. 110th Street
Overland Park, Kansas 66211

EFFECTIVE:
April 15, 2007

GENERAL EXCHANGE TARIFF

SPRINT MISSOURI, INC.
d/b/a SPRINT

Second Revised Page 21
Cancels First Revised Page 21

FRAME RELAY SERVICE

VIII. RATES AND CHARGES (Cont'd)

D. Permanent Virtual Circuit (PVC) - InterLATA (Cont'd)

	S&E Code	Monthly Rate	NRC	(AT) (AT)
Over 4 thru 10 Mbps				
Frame for LAN	FCEALVI(PP3)	\$255.00	\$10.00	
Frame for SNA	FCEALVI(PP2)	\$285.00	\$15.00	
Frame for Voice	FCEALVI(PP1)	\$320.00	\$20.00	
Over 10 thru 16 Mbps				
Frame for LAN	FCEALVI(QP3)	\$360.00	\$10.00	
Frame for SNA	FCEALVI(QP2)	\$400.00	\$15.00	
Frame for Voice	FCEALVI(QP1)	\$455.00	\$20.00	
Over 16 thru 34 Mbps				
Frame for LAN	FCEALVI(RP3)	\$405.00	\$10.00	
Frame for SNA	FCEALVI(RP2)	\$445.00	\$15.00	
Frame for Voice	FCEALVI(RP1)	\$505.00	\$20.00	
Over 34 thru 44.210 Mbps				
Frame for LAN	FCEALVI(SP3)	\$595.00	\$10.00	
Frame for SNA	FCEALVI(SP2)	\$655.00	\$15.00	
Frame for Voice	FCEALVI(SP1)	\$745.00	\$20.00	

VIII. RATES AND CHARGES (Cont'd)

E. An administrative charge will be applied whenever a change is made to a customer's frame relay configuration (including changes to an existing group's addressing), at the customer's request. Such changes are defined as those rearrangements necessary to add, delete or rearrange the customer's configuration and changes of CIR on a PVC.

Administrative Charge (Nonrecurring) \$50.00

F. Private Network-to-Network Interface (Private NNI)

1.544 Mbps NNI	S&E Code	Monthly Rate	NRC
Month to month	FCECRTA	\$210.00	\$395.00
12-23 months	FCECRTA(1YR)	\$185.00	N/A
24-35 months	FCECRTA(2YR)	\$165.00	N/A
36-59 months	FCECRTA(3YR)	\$145.00	N/A
60-84 months	FCECRTA(5YR)	\$135.00	N/A

ISSUED:
January 26, 2000

BY: Richard D. Lawson
State Executive, External Affairs
319 Madison
Jefferson City, MO 65101

EFFECTIVE:
March 24, 2000

Cancelled

April 15, 2007

Missouri Public
Service Commission

GENERAL EXCHANGE TARIFF

SPRINT MISSOURI, INC.
d/b/a SPRINT

First Revised Page 21
Cancels Original Page 21

Missouri Public
Service Commission

FRAME RELAY SERVICE

REC'D OCT 27 1999

VIII. RATES AND CHARGES (Cont'd)

D. Permanent Virtual Circuit (PVC) - InterLATA (Cont'd)

Over 4 thru 10 Mbps				
Frame for LAN	FCEALVI(PP3)	\$255.00	\$10.00	(CR)
Frame for SNA	FCEALVI(PP2)	\$285.00	\$15.00	
Frame for Voice	FCEALVI(PP1)	\$320.00	\$20.00	(CR)
Over 10 thru 16 Mbps				
Frame for LAN	FCEALVI(QP3)	\$360.00	\$10.00	(CR)
Frame for SNA	FCEALVI(QP2)	\$400.00	\$15.00	
Frame for Voice	FCEALVI(QP1)	\$455.00	\$20.00	(CR)
Over 16 thru 34 Mbps				
Frame for LAN	FCEALVI(RP3)	\$405.00	\$10.00	(CR)
Frame for SNA	FCEALVI(RP2)	\$445.00	\$15.00	
Frame for Voice	FCEALVI(RP1)	\$505.00	\$20.00	(CR)
Over 34 thru 44.210 Mbps				
Frame for LAN	FCEALVI(SP3)	\$595.00	\$10.00	(CR)
Frame for SNA	FCEALVI(SP2)	\$655.00	\$15.00	
Frame for Voice	FCEALVI(SP1)	\$745.00	\$20.00	(CR)

VIII. RATES AND CHARGES (Cont'd)

E. An administrative charge will be applied whenever a change is made to a customer's frame relay configuration (including changes to an existing group's addressing), at the customer's request. Such changes are defined as those rearrangements necessary to add, delete or rearrange the customer's configuration and changes of CIR on a PVC.

Administrative Charge (Nonrecurring) \$50.00

F. Private Network-to-Network Interface (Private NNI)

1.544 Mbps NNI	S&E Code	Monthly Rate	NRC	
Month to month	FCECRTA	\$210.00	\$395.00	(CR)
12-23 months	FCECRTA(1YR)	\$185.00	N/A	
24-35 months	FCECRTA(2YR)	\$165.00	N/A	
36-59 months	FCECRTA(3YR)	\$145.00	N/A	
60-84 months	FCECRTA(5YR)	\$135.00	N/A	(CR)

CANCELLED

MAR 24 2000

By *2nd RP 21*
Public Service Commission
MISSOURI

Missouri Public
Service Commission

FILED NOV 25 1999

ISSUED:
October 27, 1999

BY: Richard D. Lawson
State Executive, External Affairs
319 Madison
Jefferson City, MO 65101

EFFECTIVE:
November 26, 1999

GENERAL EXCHANGE TARIFF

**Embarq Missouri, Inc.
d/b/a Embarq**

Third Revised Page 22 (C)
Cancels Second Revised Page 22 (C)

FRAME RELAY SERVICE

VIII. RATES AND CHARGES (Cont'd) (N)

G. Frame To ATM Inter-Networking Link

CIR, per PVC	<u>S&E Code</u>	<u>Monthly Rate</u>	<u>NRC</u>	(D)
Over 768 thru 1.536 Mbps	FCEALVI(FA5)	\$75.00	\$50.00	(D)

H. Gateway Service

CIR, per PVC	<u>S&E Code</u>	<u>Monthly Rate</u>	<u>NRC</u>	(D)
Over 0 thru 8 Kbps	FCEALMT(008)	\$10.00	\$50.00	
Over 8 thru 16 Kbps	FCEALMT(016)	\$20.00	\$50.00	
Over 16 thru 24 Kbps	FCEALMT(024)	\$30.00	\$50.00	
Over 24 thru 32 Kbps	FCEALMT(032)	\$40.00	\$50.00	
Over 32 thru 40 Kbps	FCEALMT(040)	\$45.00	\$50.00	
Over 40 thru 48 Kbps	FCEALMT(048)	\$50.00	\$50.00	
Over 48 thru 56 Kbps	FCEALMT(056)	\$55.00	\$50.00	
Over 56 thru 64 Kbps	FCEALMT(064)	\$60.00	\$50.00	
Over 64 thru 128 Kbps	FCEALMT(128)	\$70.00	\$50.00	
Over 128 thru 256 Kbps	FCEALMT(256)	\$80.00	\$50.00	
Over 256 thru 384 Kbps	FCEALMT(384)	\$90.00	\$50.00	
Over 384 thru 512 Kbps	FCEALMT(512)	\$100.00	\$50.00	
Over 512 thru 768 Kbps	FCEALMT(768)	\$110.00	\$50.00	
Over 768 thru 1.536 Mbps	FCEALMT(1M)	\$125.00	\$50.00	

I. Utilization Reports

Per Port	<u>S&E Code</u>	<u>Monthly Rate</u>	<u>NRC</u>	(D)
Month to month	FCEALUN RMM	\$18.95	\$50.00	
12 - 23 months	FCEALUN R12	\$16.95	\$50.00	
24 - 35 months	FCEALUN R24	\$14.95	\$50.00	
36 - 59 months	FCEALUN R36	\$12.95	\$50.00	
60 - 84 months	FCEALUN R60	\$10.95	\$50.00	

ISSUED:
January 20, 2009

BY: Darlene N. Terry
Manager - Tariffs
5454 W. 110th Street
Overland Park, Kansas 66211

EFFECTIVE:
February 1, 2009

GENERAL EXCHANGE TARIFF

SPRINT MISSOURI, INC.
d/b/a SPRINT

Second Revised Page 22
Cancels First Revised Page 22

FRAME RELAY SERVICE

G. Frame To ATM Inter-Networking Link

CIR, per PVC	<u>S&E Code</u>	<u>Monthly Rate</u>	<u>NRC</u>
Over 0 thru 256 Kbps	FCEALVI(FA1)	\$20.00	\$50.00
Over 256 thru 384 Kbps	FCEALVI(FA2)	\$30.00	\$50.00
Over 384 thru 512 Kbps	FCEALVI(FA3)	\$40.00	\$50.00
Over 512 thru 768 Kbps	FCEALVI(FA4)	\$50.00	\$50.00
Over 768 thru 1.536 Mbps	FCEALVI(FA5)	\$75.00	\$50.00
Over 1.536 thru 4 Mbps	FCEALVI(FA6)	\$120.00	\$50.00
Over 4 thru 10 Mbps	FCEALVI(FA7)	\$170.00	\$50.00
Over 10 thru 16 Mbps	FCEALVI(FA8)	\$240.00	\$50.00
Over 16 thru 34 Mbps	FCEALVI(FA9)	\$270.00	\$50.00
Over 34 thru 44.736 Mbps	FCEALVI(FA0)	\$405.00	\$50.00

H. Gateway Service

CIR, per PVC	<u>S&E Code</u>	<u>Monthly Rate</u>	<u>NRC</u>
Over 0 thru 8 Kbps	FCEALMT(008)	\$10.00	\$50.00
Over 8 thru 16 Kbps	FCEALMT(016)	\$20.00	\$50.00
Over 16 thru 24 Kbps	FCEALMT(024)	\$30.00	\$50.00
Over 24 thru 32 Kbps	FCEALMT(032)	\$40.00	\$50.00
Over 32 thru 40 Kbps	FCEALMT(040)	\$45.00	\$50.00
Over 40 thru 48 Kbps	FCEALMT(048)	\$50.00	\$50.00
Over 48 thru 56 Kbps	FCEALMT(056)	\$55.00	\$50.00
Over 56 thru 64 Kbps	FCEALMT(064)	\$60.00	\$50.00
Over 64 thru 128 Kbps	FCEALMT(128)	\$70.00	\$50.00
Over 128 thru 256 Kbps	FCEALMT(256)	\$80.00	\$50.00
Over 256 thru 384 Kbps	FCEALMT(384)	\$90.00	\$50.00
Over 384 thru 512 Kbps	FCEALMT(512)	\$100.00	\$50.00
Over 512 thru 768 Kbps	FCEALMT(768)	\$110.00	\$50.00
Over 768 thru 1.536 Mbps	FCEALMT(1M)	\$125.00	\$50.00

I. **Utilization Reports**

Per Port	<u>S&E Code</u>	<u>Monthly Rate</u>	<u>NRC</u>
Month to month	FCEALUN RMM	\$18.95	\$50.00
12 - 23 months	FCEALUN R12	\$16.95	\$50.00
24 - 35 months	FCEALUN R24	\$14.95	\$50.00
36 - 59 months	FCEALUN R36	\$12.95	\$50.00
60 - 84 months	FCEALUN R60	\$10.95	\$50.00

(N)
|
(N)

ISSUED:
March 30, 2001

BY: Richard D. Lawson
State Executive, External Affairs
319 Madison
Jefferson City, MO 65101

EFFECTIVE:
April 30, 2001

CANCELLED
February 1, 2009
Missouri Public
Service Commission
JI-2009-0528

GENERAL EXCHANGE TARIFF

SPRINT MISSOURI, INC.
d/b/a SPRINT

First Revised Page 22
Cancels Original Page 22

FRAME RELAY SERVICE

Missouri Public
Service Commission

G. Frame To ATM Inter-Networking Link

REC'D OCT 27 1999

CIR, per PVC	S&E Code	Monthly Rate	NRC	
Over 0 thru 256 Kbps	FCEALVI (FA1)	\$20.00	\$50.00	
Over 256 thru 384 Kbps	FCEALVI (FA2)	\$30.00	\$50.00	
Over 384 thru 512 Kbps	FCEALVI (FA3)	\$40.00	\$50.00	
Over 512 thru 768 Kbps	FCEALVI (FA4)	\$50.00	\$50.00	
Over 768 thru 1.536 Mbps	FCEALVI (FA5)	\$75.00	\$50.00	
Over 1.536 thru 4 Mbps	FCEALVI (FA6)	\$120.00	\$50.00	
Over 4 thru 10 Mbps	FCEALVI (FA7)	\$170.00	\$50.00	(CR)
Over 10 thru 16 Mbps	FCEALVI (FA8)	\$240.00	\$50.00	
Over 16 thru 34 Mbps	FCEALVI (FA9)	\$270.00	\$50.00	
Over 34 thru 44.736 Mbps	FCEALVI (FA0)	\$405.00	\$50.00	(CR)

H. Gateway Service

CIR, per PVC	S&E Code	Monthly Rate	NRC	
Over 0 thru 8 Kbps	FCEALMT (008)	\$10.00	\$50.00	
Over 8 thru 16 Kbps	FCEALMT (016)	\$20.00	\$50.00	
Over 16 thru 24 Kbps	FCEALMT (024)	\$30.00	\$50.00	
Over 24 thru 32 Kbps	FCEALMT (032)	\$40.00	\$50.00	
Over 32 thru 40 Kbps	FCEALMT (040)	\$45.00	\$50.00	(CR)
Over 40 thru 48 Kbps	FCEALMT (048)	\$50.00	\$50.00	
Over 48 thru 56 Kbps	FCEALMT (056)	\$55.00	\$50.00	
Over 56 thru 64 Kbps	FCEALMT (064)	\$60.00	\$50.00	
Over 64 thru 128 Kbps	FCEALMT (128)	\$70.00	\$50.00	
Over 128 thru 256 Kbps	FCEALMT (256)	\$80.00	\$50.00	
Over 256 thru 384 Kbps	FCEALMT (384)	\$90.00	\$50.00	
Over 384 thru 512 Kbps	FCEALMT (512)	\$100.00	\$50.00	
Over 512 thru 768 Kbps	FCEALMT (768)	\$110.00	\$50.00	
Over 768 thru 1.536 Mbps	FCEALMT (1M)	\$125.00	\$50.00	(CR)

CANCELLED

APR 30 2001

2nd RP 22
Public Service Commission
MISSOURI

Missouri Public
Service Commission

FILED NOV 23 1999

ISSUED:
October 27, 1999

BY: Richard D. Lawson
State Executive, External Affairs
319 Madison
Jefferson City, MO 65101

EFFECTIVE:
November 26, 1999

GENERAL EXCHANGE TARIFF

RECEIVED

SPRINT MISSOURI, INC.
d/b/a SPRINT

Original Page 22
MAY 15 1998

FRAME RELAY SERVICE

MO. PUBLIC SERVICE COMM

G. Frame To ATM Inter-Networking Link

CIR, per PVC	S&E Code	Monthly Rate	NRC
Over 0 thru 256 Kbps	FCEALVI (FA1)	\$20.00	\$50.00
Over 256 thru 384 Kbps	FCEALVI (FA2)	\$30.00	\$50.00
Over 384 thru 512 Kbps	FCEALVI (FA3)	\$40.00	\$50.00
Over 512 thru 768 Kbps	FCEALVI (FA4)	\$50.00	\$50.00
Over 768 thru 1.536 Mbps	FCEALVI (FA5)	\$75.00	\$50.00
Over 1.536 thru 4 Mbps	FCEALVI (FA6)	\$120.00	\$50.00
Over 4 thru 10 Mbps	FCEALVI (FA7)	\$160.00	\$50.00
Over 10 thru 16 Mbps	FCEALVI (FA8)	\$225.00	\$50.00
Over 16 thru 34 Mbps	FCEALVI (FA9)	\$250.00	\$50.00
Over 34 thru 44.736 Mbps	FCEALVI (FA0)	\$375.00	\$50.00

H. Gateway Service

CIR, per PVC	S&E Code	Monthly Rate	NRC
Over 0 thru 8 Kbps	FCEALMT (008)	\$10.00	\$50.00
Over 8 thru 16 Kbps	FCEALMT (016)	\$20.00	\$50.00
Over 16 thru 24 Kbps	FCEALMT (024)	\$30.00	\$50.00
Over 24 thru 32 Kbps	FCEALMT (032)	\$40.00	\$50.00
Over 32 thru 40 Kbps	FCEALMT (040)	\$50.00	\$50.00
Over 40 thru 48 Kbps	FCEALMT (048)	\$60.00	\$50.00
Over 48 thru 56 Kbps	FCEALMT (056)	\$70.00	\$50.00
Over 56 thru 64 Kbps	FCEALMT (064)	\$80.00	\$50.00
Over 64 thru 128 Kbps	FCEALMT (128)	\$160.00	\$50.00
Over 128 thru 256 Kbps	FCEALMT (256)	\$320.00	\$50.00
Over 256 thru 384 Kbps	FCEALMT (384)	\$475.00	\$50.00
Over 384 thru 512 Kbps	FCEALMT (512)	\$635.00	\$50.00
Over 512 thru 768 Kbps	FCEALMT (768)	\$950.00	\$50.00
Over 768 thru 1.536 Mbps	FCEALMT (1M)	\$1,905.00	\$50.00

CANCELLED

NOV 26 1999
By *LSRS#22*
Public Service Commission
MISSOURI

FILED

JUN 16 1998

MISSOURI
Public Service Commission

ISSUED:
May 15, 1998

BY: Richard D. Lawson
State Executive, External Affairs
319 Madison
Jefferson City, MO 65101

EFFECTIVE:
June 16, 1998

GENERAL EXCHANGE TARIFF

Embarq Missouri, Inc.
d/b/a Embarq

Fourth Revised Page 1
Cancels Third Revised Page 1

PRIVATE LINES AND EQUIPMENT

I. GENERAL REGULATIONS

- A. Private lines are circuits furnished and maintained by the Telephone Company. They are for private use and are equipped at each terminal with telephone or telegraph instruments or other signaling devices, and not connected for exchange or toll service.
- B. The minimum contract term is one month where facilities are available. Where facilities are not available or the provision of private line service necessitates unusual expenditure, or where other special considerations are involved, the customer may be required to contract for service beyond the initial period or to pay an advance rental charge, or both.
- C. For construction and installation charges and rates and regulations for special equipment, see "Construction and Installation Charges" and "Special Equipment and Assemblies" Sections of the General Exchange Tariffs respectively.
- D. All instruments and apparatus used in connection with private lines must be of a type approved by the FCC.

II. MILEAGE MEASUREMENT

A. Local Channels or Networks

Mileage between points within the same exchange area will be the airline distance.

(D)

ISSUED:
September 8, 2006

BY: Darlene N. Terry
Manager - Tariffs
5454 W. 110th Street
Overland Park, KS 66211

EFFECTIVE:
~~October 8, 2006~~

October 13, 2006

GENERAL EXCHANGE TARIFF

SPRINT MISSOURI, INC.
d/b/a SPRINT

Third Revised Page 1
Cancels Second Revised Page 1

PRIVATE LINES AND EQUIPMENT

I. GENERAL REGULATIONS

- A. Private lines are circuits furnished and maintained by the Telephone Company. They are for private use and are equipped at each terminal with telephone or telegraph instruments or other signaling devices, and not connected for exchange or toll service.
- B. The minimum contract term is one month where facilities are available. Where facilities are not available or the provision of private line service necessitates unusual expenditure, or where other special considerations are involved, the customer may be required to contract for service beyond the initial period or to pay an advance rental charge, or both.
- C. For construction and installation charges and rates and regulations for special equipment, see "Construction and Installation Charges" and "Special Equipment and Assemblies" Sections of the General Exchange Tariffs respectively.

(D)

(D)

- D. All instruments and apparatus used in connection with private lines must be of a type approved by the FCC.

(CT)

II. MILEAGE MEASUREMENT

- A. Local Channels or Networks

Mileage between points within the same exchange area will be the airline distance.

SMRegistered service mark of United Telecommunications, Inc.

ISSUED:
December 11, 2003

BY: Richard D. Lawson
State Executive, External Affairs
319 Madison
Jefferson City, MO 65101

EFFECTIVE:
January 10, 2004

Cancelled

October 13, 2006
Missouri Public
Service Commission

Filed

Missouri Public
Service Commission

GENERAL EXCHANGE TARIFF
Missouri Public

SPRINT MISSOURI, INC.
d/b/a SPRINT

Second Revised Page 1
Cancels First Revised Page 1

REC'D APR 09 2002

PRIVATE LINES AND EQUIPMENT

Service Commission

I. GENERAL REGULATIONS

- A. Private lines are circuits furnished and maintained by the Telephone Company. They are for private use and are equipped at each terminal with telephone or telegraph instruments or other signalling devices, and not connected for exchange or toll service.
- B. The minimum contract term is one month where facilities are available. Where facilities are not available or the provision of private line service necessitates unusual expenditure, or where other special considerations are involved, the customer may be required to contract for service beyond the initial period or to pay an advance rental charge, or both.
- C. For construction and installation charges and rates and regulations for special equipment, see "Construction and Installation Charges" and "Special Equipment and Assemblies" Sections of the General Exchange Tariffs respectively.
- D. For rates and regulations applicable to United DigiLinkSM and United TransLinkSM see the rates and regulations listed under Digital Data Service and High Capacity Service (1.544 Mbps) in Section 7 of Sprint Missouri, Inc. d/b/a Sprint Intrastate Access Tariff P.S.C. MO. No. 26. United DigiLinkSM is a digital transmission service designed to transmit signals, end to end, at speeds of 2.4, 4.8, 9.6, 19.2, 56 or 64 kbps over digital facilities routed through the Telephone Company central offices. United TransLinkSM is a digital transmission service designed to transmit signals, end to end, at a speed of 1.544 Mbps over digital facilities routed through the Telephone Company central offices.
- E. All instruments and apparatus used in connection with private lines must be of a type approved by the FCC.

(T)

II. MILEAGE MEASUREMENT

- A. Local Channels or Networks

Mileage between points within the same exchange area will be the airline distance.

SMRegistered service mark of United Telecommunications, Inc.

CANCELLED

JAN 10 2004

By *3rd RS 1*
Public Service Commission
MISSOURI

Missouri Public

FILED MAY 09 2002

Service Commission

ISSUED:
April 9, 2002

BY: Richard D. Lawson
State Executive, External Affairs
319 Madison
Jefferson City, MO 65101

EFFECTIVE:
May 9, 2002

GENERAL EXCHANGE TARIFF

SPRINT MISSOURI, INC.
d/b/a SPRINT

First Revised Page 1
Cancels Original Page 1
MISSOURI PUBLIC
SERVICE COMMISSION

PRIVATE LINES AND EQUIPMENT

REC'D SEP 20 1999

I. GENERAL REGULATIONS

- A. Private lines are circuits furnished and maintained by the Telephone Company. They are for private use and are equipped at each terminal with telephone or telegraph instruments or other signalling devices, and not connected for exchange or toll service.
- B. The minimum contract term is one month where facilities are available. Where facilities are not available or the provision of private line service necessitates unusual expenditure, or where other special considerations are involved, the customer may be required to contract for service beyond the initial period or to pay an advance rental charge, or both.
- C. For construction and installation charges and rates and regulations for special equipment, see "Construction and Installation Charges" and "Special Equipment and Assemblies" Sections of the General Exchange Tariffs respectively.
- D. For rates and regulations applicable to United DigiLinkSM and United TransLinkSM see the rates and regulations listed under Digital Data Service and High Capacity Service (1.544 Mbps) in Section 7 of Sprint Missouri, Inc. d/b/a Sprint Intrastate Access Tariff P.S.C. MO. No. 26. United DigiLinkSM is a digital transmission service designed to transmit signals, end to end, at speeds of 2.4, 4.8, 9.6, 19.2 or 56 kbps over digital facilities routed through the Telephone Company central offices. United TransLinkSM is a digital transmission service designed to transmit signals, end to end, at a speed of 1.544 Mbps over digital facilities routed through the Telephone Company central offices.
- E. All instruments and apparatus used in connection with private lines must be of a type approved by the FCC.

(C)
(C)
(T)

II. MILEAGE MEASUREMENT

A. Local Channels or Networks

Mileage between points within the same exchange area will be the airline distance.

SMRegistered service mark of United Telecommunications, Inc.

CANCELLED

Missouri Public Service Commission

MAY 09 2002

FILED OCT 15 1999

ISSUED:
September 10, 1999

By *2nd RS 1*
Public Service Commission
MISSOURI
Lawson
State Executive, External Affairs
319 Madison
Jefferson City, MO 65101

EFFECTIVE:

OCT 15 1999

UNITED TELEPHONE COMPANY
OF MISSOURI

GENERAL EXCHANGE TARIFF

RECEIVED
Original Page 1
SEP 17 1992

PRIVATE LINES AND EQUIPMENT

I. GENERAL REGULATIONS

- A. Private lines are circuits furnished and maintained by the Telephone Company. They are for private use and are equipped at each terminal with telephone or telegraph instruments or other signalling devices, and not connected for exchange or toll service.
- B. The minimum contract term is one month where facilities are available. Where facilities are not available or the provision of private line service necessitates unusual expenditure, or where other special considerations are involved, the customer may be required to contract for service beyond the initial period or to pay an advance rental charge, or both.
- C. For construction and installation charges and rates and regulations for special equipment, see "Construction and Installation Charges" and "Special Equipment and Assemblies" Sections of the General Exchange Tariffs respectively.
- D. For rates and regulations applicable to United DigiLinkSM and United TransLinkSM see Section 7 of United Telephone Company of Missouri's Intrastate Access Tariff P.S.C. MO. No. 26. United DigiLinkSM is a digital transmission service designed to transmit signals, end to end, at speeds of 2.4, 4.8, 9.6, 19.2 or 56 kbps over digital facilities routed through the Telephone Company central offices. United TransLinkSM is a digital transmission service designed to transmit signals, end to end, at a speed of 1.544 Mbps over digital facilities routed through the Telephone Company central offices.
- E. All instruments and apparatus used in connection with private lines must be of a type approved by the FCC.

II. MILEAGE MEASUREMENT

A. Local Channels or Networks

Mileage between points within the same exchange area will be the airline distance.

CANCELLED

OCT 15 1999
By *SKR*
Public Service Commission
MISSOURI

FILED

NOV 7 1992

sm Registered service mark of United Telecommunications, Inc.

MO. PUBLIC SERVICE COMM.

ISSUED:
September 17, 1992

BY: John L. Roe
Vice President - Administration
5454 West 110th Street
Overland Park, Kansas 66211

EFFECTIVE:
~~October 17, 1992~~
NOV 7 1992

GENERAL EXCHANGE TARIFF

UNITED TELEPHONE COMPANY
OF MISSOURI

Original Page 2

PRIVATE LINES AND EQUIPMENT

II. MILEAGE MEASUREMENT: (Cont'd)

A. LOCAL CHANNELS OR NETWORKS (Cont'd)

1. Local Channels Connecting Only Two Customer Locations

Where a private line is furnished to connect only two customer locations, the mileage charge will be the airline measurement between connected premises. A one mile minimum mileage applies for each local two point channel.

2. Local Channel Networks, Serving Three or More Customer Locations

Where three or more customer premises are to be interconnected with private lines, the facilities will be considered as being a network of component circuits, with mileage computation as follows:

a. Wire Interconnecting Center

Wire interconnecting centers will be established for networks by the Telephone Company in consideration of the availability and routing of circuits.

b. Network Mileage

The network mileage will be the sum of the mileages for all component circuits measured airline between the network interconnecting centers and the location of each of the customer premises plus any applicable branch circuit or drop mileages. A one mile minimum mileage applies for each separate component circuit in the network.

c. Branch Circuit or Drop Mileage

In certain private line arrangements, a branch circuit or drop may be connected to a component circuit at an intermediate point between the network interconnecting center and the component circuit end.

ISSUED:
September 17, 1992

BY: Richard D. Lawson
State Executive, External Affairs
319 Madison
Jefferson City, MO 65101

EFFECTIVE:
November 7, 1992

GENERAL EXCHANGE TARIFF

UNITED TELEPHONE COMPANY
OF MISSOURI

Original Page 3

PRIVATE LINES AND EQUIPMENT

II. MILEAGE MEASUREMENT: (Cont'd)

A. LOCAL CHANNELS OR NETWORKS (Cont'd)

2. Local Channel Networks, Serving Three or More Customer Locations (Cont'd)

c. Branch Circuit or Drop Mileage (Cont'd)

(1) For each branch circuit or intermediate drop an additional mileage charge applies, measured airline from the point of interconnection with the component circuit to the customer location.

(2) A minimum mileage charge of one-fourth (1/4) mile applies for each branch circuit or intermediate drop.

3. On Premises Extensions

Where the customer requires an extra station or additional private line to be connected on the same premises, each additional extension station or terminal location shall be defined as a branch circuit.

ISSUED:
September 17, 1992

BY: Richard D. Lawson
State Executive, External Affairs
319 Madison
Jefferson City, MO 65101

EFFECTIVE:
November 7, 1992

GENERAL EXCHANGE TARIFF

**Embarq Missouri, Inc.
d/b/a Embarq**

Third Revised Page 4 (C)
Cancels Second Revised Page 4 (C)

PRIVATE LINES AND EQUIPMENT

II. MILEAGE MEASUREMENT: (Cont'd)

B. Interexchange Channels
See **Embarq Missouri, Inc.'s** Private Line Tariff. (T)

III. RATES

The following rates and charges apply to private lines wholly furnished within the local exchange.

A. Mileage Charges	<u>Monthly Charges</u>	
1. Each local Channel or Network		
For the first one-quarter mile or fraction thereof (airline distance) (MBBAC)	\$4.75	(I)
Each additional one-quarter (1/4) mile (MBBAL)	\$4.75	(I)

ISSUED:
January 20, 2009

BY: Darlene N. Terry
Manager - Tariffs
5454 W. 110th Street
Overland Park, Kansas 66211

EFFECTIVE:
February 1, 2009

GENERAL EXCHANGE TARIFF

SPRINT MISSOURI, INC.
d/b/a SPRINT

Second Revised Page 4
Cancels First Revised Page 4

PRIVATE LINES AND EQUIPMENT

II. MILEAGE MEASUREMENT: (Cont'd)

B. Interexchange Channels
See United Telephone Company of Missouri's Private Line Tariff.

III. RATES

The following rates and charges apply to private lines wholly furnished within the local exchange.

A. Mileage Charges	<u>Monthly Charges</u>	
1. Each local Channel or Network		
For the first one-quarter mile or fraction thereof (airline distance) (MBBAC)	\$3.50	(R)
Each additional one-quarter (1/4) mile (MBBAL)	\$3.50	(I)

ISSUED:
December 3, 2004

BY: Richard D. Lawson
State Executive, External Affairs
319 Madison
Jefferson City, MO 65101

EFFECTIVE:
January 18, 2005

CANCELLED
February 1, 2009
Missouri Public
Service Commission
JI-2009-0528

REC'D OCT 25 2002

P.S.C. MO.-No. 22 Section 22
GENERAL EXCHANGE TARIFF

Service Commission
First Revised Page 4
Cancels Original Page 4

SPRINT MISSOURI, INC.
d/b/a SPRINT

PRIVATE LINES AND EQUIPMENT

II. MILEAGE MEASUREMENT: (Cont'd)

B. Interexchange Channels
See United Telephone Company of Missouri's Private Line Tariff.

III. RATES

The following rates and charges apply to private lines wholly furnished within the local exchange.

A. Mileage Charges Monthly Charges

1. Each local Channel or Network

For the first one-quarter mile or fraction thereof (airline distance) (MBBAC)	\$4.60	(1)
Each additional one-quarter (1/4) mile (MBBAL)	2.25	(1)

CANCELLED

JAN 18 2005

By *2nd R S 4*
Public Service Commission
MISSOURI

Missouri Public
Service Commission
IT-03-0166
FILED DEC 18 2002

ISSUED:
October 25, 2002

BY: Richard D. Lawson
State Executive, External Affairs
319 Madison
Jefferson City, MO 65101

EFFECTIVE:

DEC 18 2002

GENERAL EXCHANGE TARIFF

UNITED TELEPHONE COMPANY
OF MISSOURI

Original page 4

RECEIVED

PRIVATE LINES AND EQUIPMENT

SEP 17 1992

II. MILEAGE MEASUREMENT: (Cont'd)

MO. PUBLIC SERVICE COMMISSION

B. Interexchange Channels
See United Telephone Company of Missouri's Private Line Tariff.

III. RATES

The following rates and charges apply to private lines wholly furnished within the local exchange.

A. Mileage Charges	<u>Monthly Charges</u>
1. Each local Channel or Network	
For the first one-quarter mile or fraction thereof (airline distance) (MBBAC)	\$4.30
Each additional one-quarter (1/4) mile (MBBAL)	2.10

CANCELLED

DEC 18 2002

By *ISTR 54*
Public Service Commission

FILED

NOV 7 1992

MO. PUBLIC SERVICE COMM.

EFFECTIVE:

~~NOV 7 1992~~
NOV 7 1992

ISSUED:
September 17, 1992

BY: John L. Roe
Vice President - Administration
5454 West 110th Street
Overland Park, Kansas 66211

GENERAL EXCHANGE TARIFF

UNITED TELEPHONE COMPANY
OF MISSOURI

Original Page 5

PRIVATE LINES AND EQUIPMENT

III. RATES (Cont'd)

B. Signalling or Special Equipment

Rates are computed in accordance with the General Tariff "Special Equipment and Assemblies" section.

C. Service Connection and Installation Charges

1. Local Channels

For each termination of a local channel at the customer's premises, including connection with interexchange channels and network wire center where required, but not including signalling equipment or special station apparatus, charges found in the "Service Connection Charges" Section of this tariff will apply.

2. Signalling or Special Station Apparatus and Equipment Connection charges are based on the provisions found in the "Special Equipment and Assemblies" Section of this tariff.

D. Special Private Line Channels

1. Rates specified herein are for standard voice grade channels or circuits normally used by the telephone company for transmission of voice messages.
2. When channels or circuits are required of a special design or capability in excess of normal, the rate will be based on the "Special Equipment and Assemblies" and "Construction and Installation" Sections of this tariff.

ISSUED:
September 17, 1992

BY: Richard D. Lawson
State Executive, External Affairs
319 Madison
Jefferson City, MO 65101

EFFECTIVE:
November 7, 1992

GENERAL EXCHANGE TARIFF

UNITED TELEPHONE COMPANY
OF MISSOURI

Original Page 6

PRIVATE LINES AND EQUIPMENT

IV. CONNECTIONS

A. CONNECTIONS WITH CERTAIN FACILITIES OF CUSTOMERS

1. Entrance Facilities

Description

Channels for use with customer-provided channels to extend the customer-provided channels to a service point of the customer. Channels are furnished for half-duplex or full duplex operation on a two-point basis for a minimum period of one month.

Approximate bandwidth of 300-3000 cycles per second. Furnished to extend customer-provided communications channels to a service point of the customer.

Regulations

In addition to the other regulations set forth in the "Rules and Regulations Applying to all Customer Contracts" section, the following regulations apply to entrance facilities.

These channels are furnished to extend a customer-provided communications channel, voice grade or less, to a customer service point (1) within an exchange, or (2) located 25 airline miles or less from the point at which the customer-provided communications channel is connected to the Telephone Company entrance facility.

Connection of Customer-Provided Terminal Equipment or Communications Systems to Telephone Company Entrance Facilities.

- a. Customer-provided communications channels may be connected with Entrance Facilities furnished by the Telephone Company for the purpose of extending the customer-provided communications channels to a service point of the customer. The connection shall be through connecting arrangements furnished, installed and maintained by the Telephone Company.

ISSUED:
September 17, 1992

BY: Richard D. Lawson
State Executive, External Affairs
319 Madison
Jefferson City, MO 65101

EFFECTIVE:
November 7, 1992

GENERAL EXCHANGE TARIFF

UNITED TELEPHONE COMPANY
OF MISSOURI

Original Page 7

PRIVATE LINES AND EQUIPMENT

IV. CONNECTIONS (Cont'd)

A. CONNECTIONS WITH CERTAIN FACILITIES OF CUSTOMERS (Cont'd)

1. Entrance Facilities (Cont'd)

a. (Cont'd)

The customer-provided channels shall comply with the minimum protection criteria.

b. Entrance facilities may be connected at a customer service point to customer-provided transmitting and receiving terminal equipment or to customer-provided communications systems for the purpose of communicating with transmitting and receiving terminal equipment located on the premises on which the service point is located. The connection shall be through connecting arrangements furnished, installed and maintained by the Telephone Company. The customer-provided terminal equipment or communications systems shall comply with the minimum protection.

c. To protect Telephone Company facilities and the services furnished to the general public by the Telephone Company from harmful effects, the signals applied to Telephone Company facilities by customer-provided terminal equipment or communications systems, must comply with the following minimum protection criteria.

(1) Where customer-provided communications channels are connected to entrance facilities for the purpose of extending the customer-provided channel to a service point of the customer, the following minimum protection criteria apply:

(a) to prevent excessive noise and crosstalk, it is necessary that the power of the signal at the central office not exceed 12db below one milliwatt when averaged over any three second interval.

ISSUED:
September 17, 1992

BY: Richard D. Lawson
State Executive, External Affairs
319 Madison
Jefferson City, MO 65101

EFFECTIVE:
November 7, 1992

GENERAL EXCHANGE TARIFF

UNITED TELEPHONE COMPANY
OF MISSOURI

Original Page 8

PRIVATE LINES AND EQUIPMENT

IV. CONNECTIONS (Cont'd)

A. CONNECTIONS WITH CERTAIN FACILITIES OF CUSTOMERS (Cont'd)

1. Entrance Facilities (Cont'd)

c. (Cont'd)

(1) (Cont'd)

(a) (Cont'd)

The power of the signal which may be applied by the customer-provided channel to the Telephone Company four-wire interface located on the customer's premises shall be specified for each type of connecting arrangement, but in no one case shall it exceed one milliwatt.

(b) to protect other services it is necessary that the signal which is applied by the customer-provided channel to the Telephone Company four-wire interface meet the following limits:

(1) The power in the band from 3,995 hertz per second to 4,005 hertz per second shall not exceed 18db below the power of the signal as specified preceding.

(2) The power in the band from 4,000 hertz per second to 10,000 hertz per second shall not exceed 16db below one milliwatt.

(3) The power in the band from 10,000 hertz per second to 25,000 hertz per second shall not exceed 24 db below one milliwatt.

ISSUED:
September 17, 1992

BY: Richard D. Lawson
State Executive, External Affairs
319 Madison
Jefferson City, MO 65101

EFFECTIVE:
November 7, 1992

GENERAL EXCHANGE TARIFF

UNITED TELEPHONE COMPANY
OF MISSOURI

Original Page 9

PRIVATE LINES AND EQUIPMENT

IV. CONNECTIONS (Cont'd)

A. CONNECTIONS WITH CERTAIN FACILITIES OF CUSTOMERS (Cont'd)

1. Entrance Facilities (Cont'd)

c. (Cont'd)

(1) (Cont'd)

(b) (Cont'd)

(4) The power in the band from 25,000 hertz per second to 40,000 hertz per second shall not exceed 36db below one milliwatt.

(5) The power in the band above 40,000 hertz per second shall not exceed 50db below one milliwatt.

(c) Where there is connection to a local or long distance message telecommunications central office line, to prevent the interruption of disconnection of a call, or interference with network control signalling, it is necessary that the signal applied by the customer-provided channel to the Telephone Company interface located on the customer's premises at no time have energy solely in the 2450 to 2750 hertz per second band. If signal power is in the 2450 to 2750 hertz per second band, it must not exceed the power present at the same time in the 800 to 2450 hertz per second band.

(1) Where customer-provided terminal equipment or communications systems are connected at a service point of the customer to entrance facilities, the following minimum protection criteria apply:

ISSUED:
September 17, 1992

BY: Richard D. Lawson
State Executive, External Affairs
319 Madison
Jefferson City, MO 65101

EFFECTIVE:
November 7, 1992

GENERAL EXCHANGE TARIFF

UNITED TELEPHONE COMPANY
OF MISSOURI

Original Page 10

PRIVATE LINES AND EQUIPMENT

IV. CONNECTIONS (Cont'd)

A. CONNECTIONS WITH CERTAIN FACILITIES OF CUSTOMERS (Cont'd)

1. Entrance Facilities (Cont'd)

c. (Cont'd)

(1) (Cont'd)

(c) (Cont'd)

(1) (Cont'd)

(a) To prevent excessive noise and crosstalk it is necessary that the power of the signal at the central office not exceed 12db below one milliwatt when averaged over any three-second interval. The power of the signal which may be applied by the customer-provided terminal equipment or communication system to the Telephone Company four-wire interface located on the customer's premises shall be specified for each type of connecting arrangement, but in no case shall it exceed one milliwatt.

(b) To protect other services it is necessary that the signal which is applied by the customer-provided terminal equipment or communications system to the Telephone Company four-wire interface located on the customer's premises meet the following limits:

ISSUED:
September 17, 1992

BY: Richard D. Lawson
State Executive, External Affairs
319 Madison
Jefferson City, MO 65101

EFFECTIVE:
November 7, 1992

GENERAL EXCHANGE TARIFF

UNITED TELEPHONE COMPANY
OF MISSOURI

Original Page 11

PRIVATE LINES AND EQUIPMENT

IV. CONNECTIONS (Cont'd)

A. CONNECTIONS WITH CERTAIN FACILITIES OF CUSTOMERS (Cont'd)

1. Entrance Facilities (Cont'd)

c. (Cont'd)

(1) (Cont'd)

(c) (Cont'd)

(1) (Cont'd)

(b) (Cont'd)

- (1) The power in the band from 3,995 hertz per second to 4,005 hertz per second shall not exceed 18db below the power of the signal as specified preceding.
- (2) The power in the band from 4,005 hertz per second to 10,000 hertz per second shall not exceed 16db below one milliwatt.
- (3) The power in the band from 10,000 hertz per second to 25,000 hertz per second shall not exceed 24db below one milliwatt.
- (4) The power in the band from 25,000 hertz per second to 40,000 hertz per second shall not exceed 36db below one milliwatt.

ISSUED:
September 17, 1992

BY: Richard D. Lawson
State Executive, External Affairs
319 Madison
Jefferson City, MO 65101

EFFECTIVE:
November 7, 1992

GENERAL EXCHANGE TARIFF

UNITED TELEPHONE COMPANY
OF MISSOURI

Original Page 12

PRIVATE LINES AND EQUIPMENT

IV. CONNECTIONS (Cont'd)

A. CONNECTIONS WITH CERTAIN FACILITIES OF CUSTOMERS (Cont'd)

1. Entrance Facilities (Cont'd)

c. (Cont'd)

(1) (Cont'd)

(c) (Cont'd)

(1) (Cont'd)

(b) (Cont'd)

(5) The power in the band above 40,000 hertz per second shall not exceed 50db below one milliwatt.

(c) Where there is connection to a local or long distance message telecommunication central office line, to prevent the interruption or disconnection of a call, or interference with network control signalling, it is necessary that the signal applied by the customer-provided terminal equipment or communication system to the Telephone Company interface located on the customer's premises at no time have energy solely in the 2450 to 2750 hertz per second band. If signal power is in the 2450 to 2750 hertz per second band, it must not exceed the power present at the same time in the 800 to 2450 hertz per second.

ISSUED:
September 17, 1992

BY: Richard D. Lawson
State Executive, External Affairs
319 Madison
Jefferson City, MO 65101

EFFECTIVE:
November 7, 1992

GENERAL EXCHANGE TARIFF

UNITED TELEPHONE COMPANY
OF MISSOURI

Original Page 13

PRIVATE LINES AND EQUIPMENT

IV. CONNECTIONS (Cont'd)

A. CONNECTIONS WITH CERTAIN FACILITIES OF CUSTOMERS (Cont'd)

1. Entrance Facilities (Cont'd)

c. (Cont'd)

(1) (Cont'd)

(c) (Cont'd)

(2) Rates and Charges - Monthly Service

Special charges based on cost are applied for entrance facilities on a case by case basis. See "Special Equipment and Assemblies" section.

2. Definitions

Communications Systems

The term "Communications Systems" denotes channels and other facilities which are capable of two-way communications between customer-provided terminal equipment or Telephone Company stations.

Connecting Arrangement

The term "Connecting Arrangement" denotes the equipment provided by the Telephone Company to accomplish the direct electrical connection of customer-provided facilities with the facilities of the Telephone Company, or the direct electrical connection of Telephone Company facilities.

Contract

The term "contract" refers to the service agreement between a customer and the Telephone Company under which facilities for communication between specified locations,

ISSUED:
September 17, 1992

BY: Richard D. Lawson
State Executive, External Affairs
319 Madison
Jefferson City, MO 65101

EFFECTIVE:
November 7, 1992

GENERAL EXCHANGE TARIFF

UNITED TELEPHONE COMPANY
OF MISSOURI

Original Page 14

PRIVATE LINES AND EQUIPMENT

IV. CONNECTIONS (Cont'd)

A. CONNECTIONS WITH CERTAIN FACILITIES OF CUSTOMERS (Cont'd)

2. Definitions (Cont'd)

Contract (Cont'd)

for designated periods, and for the use of the customer specifically named in the contract are furnished in accordance with the provisions of this Tariff.

Customer-Provided Terminal Equipment

The term "Customer-Provided Terminal Equipment" denotes devices, apparatus and their associated wiring, provided by a customer for use with facilities furnished by the Telephone Company for private line service and does not include customer-provided communications systems.

Network Control Signalling

The term "Network Control Signalling" denotes the transmission of signals used in the telecommunications system which perform functions such as supervision (control, status, and charging signals), address signalling (e.g., dialing), calling and called number identification, audible tone signals (call progress signals indicating reorder or busy conditions, alerting, coin denominations, coin collect and coin return tones) to control the operation of switching machines in the telecommunications systems.

Network control Signalling Unit

The term "Network Control Signalling Unit" denotes the terminal equipment furnished, installed and maintained by the Telephone Company for the provision of network control signalling.

ISSUED:
September 17, 1992

BY: Richard D. Lawson
State Executive, External Affairs
319 Madison
Jefferson City, MO 65101

EFFECTIVE:
November 7, 1992

P.S.C. MO.-No. 22 Section 22
GENERAL EXCHANGE TARIFF

UNITED TELEPHONE COMPANY
OF MISSOURI

Original Page 15

PRIVATE LINES AND EQUIPMENT

IV. CONNECTIONS (Cont'd)

A. CONNECTIONS WITH CERTAIN FACILITIES OF CUSTOMERS (Cont'd)

2. Definitions (Cont'd)

Service Point

The term "Service Point" when used in connection with customer-provided communication channels denotes the point on the customer's premises where channels provided by or furnished to the customer are terminated in transmitting and receiving terminal equipment or in switching equipment used, at least in part, for communications with stations or customer-provided terminal equipment located on the premises.

ISSUED:
September 17, 1992

BY: Richard D. Lawson
State Executive, External Affairs
319 Madison
Jefferson City, MO 65101

EFFECTIVE:
November 7, 1992

CANCELLED
October 1, 2014
Missouri Public
Service Commission
JI-2015-0081

FILED
MO PSC