



October 2, 2014

Ms. Colleen M. Dale  
Secretary/Chief Regulatory Law Judge  
Missouri Public Service Commission  
200 Madison Street, Suite 500  
Jefferson City, MO 65102

**RE: CenturyLink Communications, LLC**

Dear Ms. Dale:

Enclosed with this electronic filing are revisions to the CenturyLink Communications, LLC ("CLC"), Missouri P.S.C. Tariff No. 6 for Competitive Access Services. These revisions add Tandem Switching, Common Transport Multiplexing and Toll Free Data Base Access Service and the associated rate pages to Missouri P.S.C. Tariff No. 6. Other minor text changes are also being made as part of this filing.

CenturyLink respectfully requests that the proposed changes outlined above become effective November 1, 2014.

If you have any questions regarding this filing, you may call me at (303) 992-5832.

Respectfully submitted,

A handwritten signature in blue ink that reads "Mark Brinton".

Mark Brinton  
Manager Regulatory Operations  
Office: (303) 992-5832  
e-mail: mark.brinton@centurylink.com

Enclosures

**CHECK SHEET**

Sheets of this tariff listed below are effective as of the date shown at the bottom of the respective sheet(s). Original and revised sheets as named below comprise all changes from the original tariff and are currently in effect as of the date on the bottom of this sheet.

<b>SHEET</b>	<b>NUMBER OF REVISION EXCEPT AS INDICATED</b>	<b>SHEET</b>	<b>NUMBER OF REVISION EXCEPT AS INDICATED</b>	<b>SHEET</b>	<b>NUMBER OF REVISION EXCEPT AS INDICATED</b>
Adoption	Original	Section 2		Section 2	
Title	1st	Index 1	1st	25	1st
		Index 2	1st	26	1st
		1	1st	27	1st
Check Sheets		2	1st	28	1st
1	2nd *	3	1st	29	1st
2	2nd *	4	1st	30	1st
		5	1st	31	1st
Section 1		6	1st	32	1st
Index 1	1st	7	1st	33	1st
1	2nd *	8	1st	34	1st
2	1st	9	1st	35	2nd *
3	2nd *	10	1st	36	2nd *
4	1st	11	1st	37	1st
5	1st	12	1st	38	1st
6	2nd *	13	2nd *	39	1st
7	2nd *	14	2nd *	40	1st
8	1st	15	1st	41	1st
9	1st	16	1st	42	1st
10	1st	17	1st	43	1st
11	2nd *	18	1st	44	1st
12	2nd *	19	1st	45	1st
		20	1st	46	1st
		21	2nd *	47	1st
		22	1st	48	2nd *
		23	1st	49	2nd *
		24	2nd *	50	Original *

\*INDICATES A REVISION  
EFFECTIVE AS OF THE  
EFFECTIVE DATE OF THIS  
SHEET.

Issued: October 2, 2014

Issuing Officer:

Jeff Glover, Vice President  
Regulatory Operations  
100 CenturyLink Drive  
Monroe, Louisiana 71203

Effective: November 1, 2014

**CHECK SHEET**

Sheets of this tariff listed below are effective as of the date shown at the bottom of the respective sheet(s). Original and revised sheets as named below comprise all changes from the original tariff and are currently in effect as of the date on the bottom of this sheet.

<b>SHEET</b>	<b>NUMBER OF REVISION EXCEPT AS INDICATED</b>	<b>SHEET</b>	<b>NUMBER OF REVISION EXCEPT AS INDICATED</b>	<b>SHEET</b>	<b>NUMBER OF REVISION EXCEPT AS INDICATED</b>
Section 3		Section 6		Section 6	
Index 1	1st	Index 1	2nd *	16	2nd *
1	1st	Index 2	2nd *	17	2nd *
2	1st	1	1st	18	1st
3	1st	2	1st	19	1st
		3	1st	20	1st
Section 4		4	1st	21	1st
Index 1	1st	5	2nd *	22	2nd *
1	1st	6	2nd *	23	2nd *
		7	2nd *	24	2nd *
Section 5		8	2nd *	25	2nd *
Index 1	1st	9	2nd *	26	2nd *
1	1st	10	1st	27	1st
2	1st	11	1st	28	1st
3	1st	12	2nd *	29	2nd *
		13	1st	30	2nd *
		14	1st	31	Original *
		15	1st		

\*INDICATES A REVISION EFFECTIVE AS OF THE EFFECTIVE DATE OF THIS SHEET.

Issued: October 2, 2014

Effective: November 1, 2014

Issuing Officer:

Jeff Glover, Vice President  
 Regulatory Operations  
 100 CenturyLink Drive  
 Monroe, Louisiana 71203

---

**COMPETITIVE ACCESS SERVICE**

---

**1. APPLICATION AND REFERENCE****1.1 APPLICATION OF TARIFF**

This Tariff contains regulations, terms, conditions, rates and charges applicable to the provision of Switched Access Services, hereinafter referred to collectively as service(s), provided by CenturyLink Communications, LL, hereinafter referred to as the Company. The Company's services are furnished subject to the availability of facilities and connectivity between the Company and Customer and subject to the terms and conditions of this tariff. A Carrier Identification Code (CIC) must be obtained before customers can purchase Switched Access Service for resale. (T)

The tariffed and regulated services offered herein by CenturyLink Communications, LLC whether under that name or the trade or brand name CenturyLink, are subject to the terms and conditions of this Tariff. The provision of such services by the Company as set forth in this Tariff does not constitute a joint undertaking with the customer for the furnishing of any service. (T)

---

Issued: October 2, 2014

Effective: November 1, 2014

Issuing Officer:

Jeff Glover, Vice President  
Regulatory Operations  
100 CenturyLink Drive  
Monroe, Louisiana 71203

**COMPETITIVE ACCESS SERVICE**

**1. APPLICATION AND REFERENCE**

**1.2 TABLE OF CONTENTS**

	<b>SHEET</b>	
<b>SECTION 2. GENERAL REGULATIONS (Cont'd)</b>		
		(N)
2.3	OBLIGATIONS OF THE CUSTOMER .....	9
2.3.1	DAMAGES .....	9
2.3.2	OWNERSHIP OF FACILITIES AND THEFT .....	9
2.3.3	EQUIPMENT SPACE AND POWER .....	9
2.3.4	AVAILABILITY FOR TESTING .....	10
2.3.5	DESIGN OF CUSTOMER SERVICES .....	10
2.3.6	REFERENCES TO THE COMPANY .....	10
2.3.7	CLAIMS AND DEMANDS FOR DAMAGES .....	11
2.3.8	COORDINATION WITH RESPECT TO NETWORK CONTINGENCIES .....	11
2.3.9	JURISDICTIONAL REPORT REQUIREMENTS .....	12
2.3.10	DETERMINATION OF INTRASTATE CHARGES FOR MIXED INTERSTATE AND INTRASTATE ACCESS SERVICE .....	20
2.4	PAYMENT ARRANGEMENTS AND CREDIT ALLOWANCES .....	22
2.4.1	PAYMENT OF RATES, CHARGES AND DEPOSITS .....	22
2.4.2	MINIMUM PERIODS .....	29
2.4.3	CANCELLATION OF AN ORDER FOR SERVICE .....	29
2.4.4	CANCELLATION FOR CAUSE .....	29
2.4.5	CREDIT ALLOWANCE FOR SERVICE INTERRUPTIONS .....	30
2.4.6	REESTABLISHMENT OF SERVICE FOLLOWING FIRE, FLOOD OR OTHER OCCURRENCE .....	32
2.4.7	TITLE OR OWNERSHIP RIGHTS .....	33
2.4.8	ORDERING, RATING AND BILLING OF ACCESS SERVICES WHERE MORE THAN ONE COMPANY IS INVOLVED .....	34
2.5	CONNECTIONS .....	39
2.5.1	GENERAL .....	39
2.6	DEFINITIONS .....	40

Issued: October 2, 2014

Effective: November 1, 2014

Issuing Officer:

Jeff Glover, Vice President  
Regulatory Operations  
100 CenturyLink Drive  
Monroe, Louisiana 71203

**COMPETITIVE ACCESS SERVICE**

**1. APPLICATION AND REFERENCE**

**1.2 TABLE OF CONTENTS (Cont'd)**

		<b>SHEET</b>
<b>SECTION 6. SWITCHED ACCESS SERVICE</b>		
6.1	GENERAL .....	1
6.1.1	SWITCHED ACCESS SERVICE ARRANGEMENTS AND MANNER OF PROVISION .....	2
6.1.2	RATE CATEGORIES .....	3
6.1.3	ACCEPTANCE TESTING .....	10
6.1.4	ORDERING OPTIONS AND CONDITIONS .....	10
6.2	PROVISION AND DESCRIPTION OF SWITCHED ACCESS SERVICE .....	11
6.2.1	PROVISION OF SWITCHED ACCESS SERVICE .....	11
6.2.2	DESCRIPTION OF FEATURE GROUP D (FGD) .....	12
6.3	COMMON SWITCHING OPTIONAL FEATURES .....	13
6.3.1	AUTOMATIC NUMBER IDENTIFICATION (ANI) .....	13
6.3.2	SERVICE CLASS ROUTING .....	14
6.4	TRANSMISSION SPECIFICATIONS .....	14
6.5	OBLIGATIONS OF THE COMPANY .....	15
6.5.1	NETWORK MANAGEMENT .....	15
6.5.2	DESIGN AND TRAFFIC ROUTING OF SWITCHED ACCESS SERVICE .....	15
6.5.3	PROVISION OF SERVICE PERFORMANCE DATA .....	16
6.5.4	TRUNK GROUP MEASUREMENT REPORTS .....	16
6.5.5	DETERMINATION OF NUMBER OF END OFFICE TRANSPORT TERMINATIONS .....	16
6.5.6	DESIGN BLOCKING PROBABILITY .....	17

(N)  
(N)  
(T)

Issued: October 2, 2014

Effective: November 1, 2014

Issuing Officer: Jeff Glover, Vice President  
Regulatory Operations  
100 CenturyLink Drive  
Monroe, Louisiana 71203

**COMPETITIVE ACCESS SERVICE**

**1. APPLICATION AND REFERENCE**

**1.2 TABLE OF CONTENTS**

		<b>SHEET</b>	
<b>SECTION 6. SWITCHED ACCESS SERVICE (Cont'd)</b>			(N)
6.6	OBLIGATIONS OF THE CUSTOMER .....	18	
6.6.1	ORDERING REQUIREMENTS .....	18	
6.6.2	REPORT REQUIREMENTS .....	18	
6.6.3	TRUNK GROUP MEASUREMENT REPORTS .....	19	
6.6.4	DESIGN OF SWITCHED ACCESS SERVICES .....	19	
6.7	RATE TERMS AND CONDITIONS .....	19	
6.7.1	DESCRIPTION AND APPLICATION OF RATES AND CHARGES .....	19	
6.7.2	MINIMUM PERIODS .....	25	
6.7.3	MINIMUM MONTHLY CHARGE .....	25	
6.7.4	MOVES.....	26	
6.7.5	MEASURING ACCESS MINUTES .....	26	
6.7.6	FEATURE GROUP D USAGE MEASUREMENT.....	27	
6.7.7	MILEAGE MEASUREMENT .....	28	
6.8	RATES AND CHARGES .....	29	
6.8.1	SWITCHED RECURRING RATES.....	29	
6.8.2	NONRECURRING RATES.....	31	(T)

Issued: October 2, 2014

Effective: November 1, 2014

Issuing Officer:

Jeff Glover, Vice President  
Regulatory Operations  
100 CenturyLink Drive  
Monroe, Louisiana 71203

**COMPETITIVE ACCESS SERVICE****1. APPLICATION AND REFERENCE****1.5 EXPLANATION OF ABBREVIATIONS**

ANI	- Automatic Number Identification	(D)
AT	- Access Tandem	
ATTP	- Access Tandem Trunk Port	
BP	- Billing Percentage	
CCS	- One hundred call seconds	
CFA	- Circuit Facility Assignment	
CIC	- Carrier Identification Code	
CL	- Common Line	
CLC	- CenturyLink Communications, LLC	
CMRS	- Commercial Mobile Radio Service	
CN	- Charge Number	
Cont'd	- Continued	
CPN	- Calling Party Number	
d/b/a	- Doing Business As	(D)
DTT	- Direct-Trunked Transport	(D)
EAS	- Extended Area Service	
EF	- Entrance Facility	
e.g.	- For example	
EO	- End Office	
EOSP	- End Office Shared Port	
etc.	- Etcetera	
EU	- End User	
EXM	- Exit Message	
f	- Frequency	
F.C.C.	- Federal Communications Commission	
f/k/a	- Formerly Known As	
H	- Horizontal	
IC	- Interexchange Carrier	
ICB	- Individual Case Basis	
i.e.	- That is	

(M) Material moved to Sheet 12.

Issued: October 2, 2014

Effective: November 1, 2014

Issuing Officer:

Jeff Glover, Vice President  
Regulatory Operations  
100 CenturyLink Drive  
Monroe, Louisiana 71203



---

**COMPETITIVE ACCESS SERVICE**

---

**1. APPLICATION AND REFERENCE****1.5 EXPLANATION OF ABBREVIATIONS**

LATA	- Local Access and Transport Area	(M)
LEC	- Local Exchange Carrier	
LS	- Local Switching	(M)
Mbps	- Megabits per second	
MOU	- Minutes of Use	
MRC	- Monthly Recurring Charge	
MUX	- Multiplexing	
NA	- Not Applicable	
NANP	- North American Numbering Plan	
No.	- Number	
NPA	- Numbering Plan Area	
NRC	- Nonrecurring Charge	
NXX	- Three-Digit Central Office Code	
PIU	- Percent Interstate Use	
POT	- Point of Termination	
PSTN	- Public Switched Telephone Network	(N)
		(D)
		(D)
SSP	- Service Switching Point	
SS7	- Signaling System 7	
SWC	- Serving Wire Center	
TIM	- Tariff Information Management	
TST	- Tandem-Switched Transport	
TT	- Tandem Transmission	
V	- Vertical	
VG	- Voice Grade	
V & H	- Vertical & Horizontal	
VoIP	- Voice over Internet Protocol	

(M) Material moved from Sheet 11.

Issued: October 2, 2014

Effective: November 1, 2014

Issuing Officer:

Jeff Glover, Vice President  
Regulatory Operations  
100 CenturyLink Drive  
Monroe, Louisiana 71203

**COMPETITIVE ACCESS SERVICE**

---

**2. GENERAL REGULATIONS**

**2.3 OBLIGATIONS OF THE CUSTOMER**

**2.3.9 JURISDICTIONAL REPORT REQUIREMENTS (Cont'd)**

**B. Jurisdictional Requirements**

The customer must indicate a projected Percent of Interstate Use (PIU) factor in a whole number (i.e., a number 0 - 100) when ordering Switched Access Service in a State including EF and DTT Facilities.. (C)

**1. Feature Group D (FGD) - Originating Service**

When a customer orders FGD Switched Access Service, where the jurisdiction is determined from the call detail, the Company will develop the projected PIU factor according to such jurisdiction. The projected interstate percentage is developed on a monthly basis, by end office, when the originating FGD access minutes are measured, by dividing the measured interstate originating access minutes by the total originating access minutes.

**2. Feature Group D (FGD) - Terminating Service**

When a customer orders terminating FGD, if the Company has sufficient call details to determine the jurisdiction for the call, the Company will bill the call minutes of use according to that jurisdiction.

When terminating call details are insufficient to determine the jurisdiction for the call, the customer may supply the projected PIU factor by State[1]. The projected PIU factor will be used to apportion the terminating call minutes for which call details were insufficient to determine jurisdiction between the interstate and intrastate jurisdictions. (T)

When terminating call details are insufficient to determine the jurisdiction, and the customer does not supply a projected PIU factor by State, calls will be billed using a PIU of 50 (50% interstate – 50% intrastate). (T)

[1] When the customer reports a State-level PIU factor, the specified percentage applies to all end offices within the State. (T)  
(T)

---

Issued: October 2, 2014

Effective: November 1, 2014

Issuing Officer:

Jeff Glover, Vice President  
Regulatory Operations  
100 CenturyLink Drive  
Monroe, Louisiana 71203

**COMPETITIVE ACCESS SERVICE**

---

**2. GENERAL REGULATIONS**

**2.3 OBLIGATIONS OF THE CUSTOMER**

**2.3.9 JURISDICTIONAL REPORT REQUIREMENTS (Cont'd)**

C. Jurisdictional Reports

1. Percent Interstate Use (PIU) Factor

Except where Company measured access minutes are used as set forth in B., preceding, the customer-provided PIU factor will be used until the customer reports a different projected PIU factor based on the following guidelines.

- a. The customer may update the PIU factor via jurisdictional report on a quarterly basis. The customer shall report the PIU factor by traffic and service type by State. The customer shall forward to the Company a revised report, to be received no later than fourteen (14) days after the first of January, April, July and October. The revised report shall show the PIU factor for the most current data available, for each service arranged for interstate use. This data shall consist of at least three (3) and no more than twelve (12) consecutive months' of data, ending no more than seventy-five (75) days earlier than the date the report is due (e.g., for the report due January 15th, the last month of data should be no earlier than October 31st). The updated PIU factor shall be based on call detail records. The PIU factor can be based on a statistically valid sample. The PIU factor reported in January, April, July and October will be effective on the bill date of each such month and will serve as the basis for subsequent monthly billing pending the receipt of a revised PIU report. (T)
- b. No prorating or back billing will be done based on the jurisdictional report. However, usage will be billed utilizing the interstate percentage that was in effect at the time the usage was generated. (T)
- c. The customer shall maintain and retain the work papers that show how the interstate percentage was determined and a summary derived from the actual call detail records for a minimum twelve (12) month period which statistically substantiates each interstate percentage provided to the Company. This summary at a minimum shall include month, year, state, traffic type (e.g., originating, terminating, 8XX, etc.) and service type. The Company may request the work papers and summary in support of the customer's projected PIU factor.

---

Issued: October 2, 2014

Effective: November 1, 2014

Issuing Officer:

Jeff Glover, Vice President  
Regulatory Operations  
100 CenturyLink Drive  
Monroe, Louisiana 71203

---

**COMPETITIVE ACCESS SERVICE**

---

**2. GENERAL REGULATIONS**

**2.3 OBLIGATIONS OF THE CUSTOMER**

**2.3.10 DETERMINATION OF INTRASTATE CHARGES FOR MIXED INTERSTATE AND INTRASTATE ACCESS SERVICE (Cont'd)**

**B. Identification and Rating of VoIP-PSTN Traffic**

VoIP-PSTN Traffic is defined as traffic exchanged between a Company end user and the customer in Time Division Multiplexing (TDM) format that originates and/or terminates in Internet Protocol (IP) format. This section governs the identification of VoIP-PSTN Traffic that is required to be compensated at interstate access rates unless the parties have agreed otherwise by the F.C.C. in its Report and Order in WC Dockets Nos. 10-90, etc., F.C.C. Release No. 11-161 (November 18, 2011) (F.C.C. Order).

The Company affirms that all of its Missouri traffic either originates from or terminates to a VoIP end user and is therefore, VoIP PSTN. VoIP-PSTN Traffic identified in accordance with this tariff section will be billed at rates equal to the Company's applicable tariffed interstate switched access rates as set forth in CenturyLink Communications, LLC Tariff F.C.C. No. 1. These rates are contained in Sections 3.7.1 and 6.8.1, following.

(T)

---

Issued: October 2, 2014

Effective: November 1, 2014

Issuing Officer:

Jeff Glover, Vice President  
Regulatory Operations  
100 CenturyLink Drive  
Monroe, Louisiana 71203

---

**COMPETITIVE ACCESS SERVICE**

---

**2. GENERAL REGULATIONS****2.4 PAYMENT ARRANGEMENTS AND CREDIT ALLOWANCES****2.4.1 PAYMENT OF RATES, CHARGES AND DEPOSITS****A. Deposits (Cont'd)**

6. The amount of the deposit shall be the estimated charges for the Access Service which will accrue for a two-month period. All applicants and existing customers shall be treated uniformly for the determination and application of deposits. (T)
7. When it is determined that a deposit is required under the conditions specified above, the applicant or customer may, in lieu of or in addition to making the deposit, arrange for an acceptable third party to guarantee payment of his charges by executing on his behalf a Guarantee of Payment Agreement with the Company. An acceptable third party guarantor for Access Service is a current nonresidential customer with at least two years' continuous service, whose payment history for the most recent twelve month period is satisfactory.
8. The fact that a deposit has been made in no way relieves the customer from complying with the Company's regulations as to advance payments as set forth in B., following, or the prompt payment of bills on presentation.
9. The deposit will bear interest as required by state law or regulations.
10. When the customer is a candidate for political office or is a person or organization acting on behalf of a candidate for political office the deposit requirement will be adjusted monthly to reflect twice the current month's actual billing. Under these circumstances, a security, i.e., surety bond or bank letter of credit equal to the Company's deposit requirement will be the only acceptable substitutes for a cash deposit.
11. When the service is terminated, the amount of the initial or additional deposit, with any interest due, will be credited to the customer's account and any credit balance which may remain will be refunded. After an existing customer has established satisfactory credit, the amount of the deposit, with any interest due, will be either credited to the account or at the option of the customer, refunded. Satisfactory credit for an Access Service customer is defined as twelve consecutive months of Access Service without a suspension for nonpayment and with no more than one notification of intent to suspend service for nonpayment.

---

Issued: October 2, 2014

Effective: November 1, 2014

Issuing Officer:

Jeff Glover, Vice President  
Regulatory Operations  
100 CenturyLink Drive  
Monroe, Louisiana 71203

**COMPETITIVE ACCESS SERVICE**

---

**2. GENERAL REGULATIONS**

**2.4 PAYMENT ARRANGEMENTS AND CREDIT ALLOWANCES**

**2.4.8 ORDERING, RATING AND BILLING OF ACCESS SERVICES WHERE MORE THAN ONE COMPANY IS INVOLVED (Cont'd)**

- A. When jointly provisioned Access Service is provided between the Company and a LEC Tandem, the appropriate Tandem Transmission and End Office rate elements will be applied.

For Switched Access Service, the recurring rates will be applied as follows: 1) multiply the Tandem Transmission fixed rate by the minutes of use (MOU) by the billing percentage (BP), 2) multiply the Tandem Transmission per-mile rate by the number of miles, by the MOU, by the BP, and 3) all other appropriate Switched Access recurring rate elements at 100 percent, if applicable.

The tandem owner in this example, (LEC) will assess the Tandem Switching rate. If the Company is the tandem owner, the Company will access the Tandem Switching Rate.

(C)  
|  
(C)

- B. When jointly provisioned Access Service is provided between the Company and a Third Party Carrier, the appropriate nonrecurring charges shall apply, however the BP is not applied to nonrecurring charges.

---

Issued: October 2, 2014

Effective: November 1, 2014

Issuing Officer:

Jeff Glover, Vice President  
Regulatory Operations  
100 CenturyLink Drive  
Monroe, Louisiana 71203

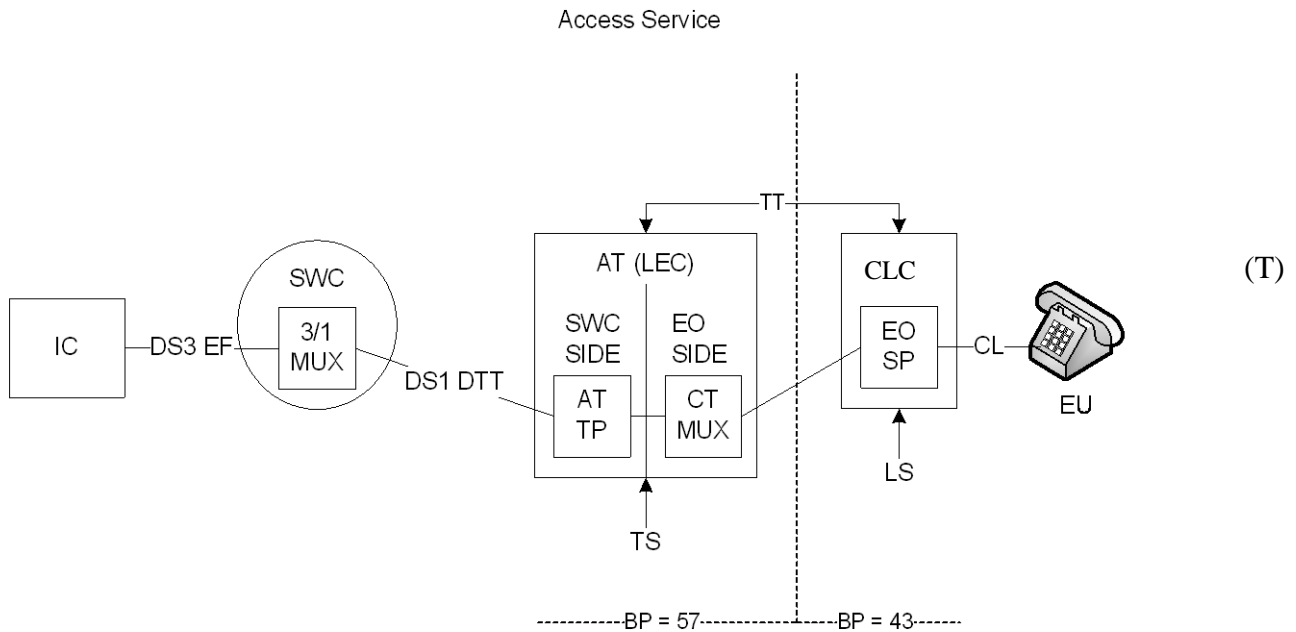
**COMPETITIVE ACCESS SERVICE**

**2. GENERAL REGULATIONS**

**2.4 PAYMENT ARRANGEMENTS AND CREDIT ALLOWANCES**

**2.4.8 ORDERING, RATING AND BILLING OF ACCESS SERVICES WHERE MORE THAN ONE COMPANY IS INVOLVED (Cont'd)**

C. Example 1 - Switched Access provisioned by LEC Tandem Routing



- AT – Access Tandem
- ATTP – Access Tandem Trunk Port
- BP – Billing Percentage
- CL – Common Line
- CT MUX – Common Transport Multiplexer
- DTT – Direct Trunked Transport
- EF – Entrance Facility
- EO SP – End Office Shared Port
- EU – End User
- IC – Interexchange Carrier
- LEC – Local Exchange Carrier
- MUX – Multiplexer
- SWC – Serving Wire Center
- TS – Tandem Switching
- TT – Tandem Transmission

Issued: October 2, 2014

Effective: November 1, 2014

Issuing Officer:

Jeff Glover, Vice President  
 Regulatory Operations  
 100 CenturyLink Drive  
 Monroe, Louisiana 71203

**COMPETITIVE ACCESS SERVICE**

---

**2. GENERAL REGULATIONS**

**2.6 DEFINITIONS (Cont'd)**

Signaling

Denotes the process of passing information, identifying the called subscriber or addressee and for supervising and controlling the connection once it has been established.

Signaling System 7 (SS7)

Denotes the signaling protocol.

Switching System

Denotes the hardware and/or software utilized by the Company for the establishment and maintenance of a given wire center.

Tandem-Switched Transport (TST)

Denotes the transport between an access tandem and Company end office that subtends the access tandem that utilizes tandem switching functions. Tandem-Switched Transport consists of circuits used in common by multiple customers from the tandem to an end office.

Terminating Direction

Denotes the use of Access Service for the completion of calls from a customer's premises to an end user's premises.

Third Party Carrier

A Local Exchange Carrier or CMRS provider other than the Company.

(M)  
—  
(M)

(M) Material moved to Sheet 49.

---

Issued: October 2, 2014

Effective: November 1, 2014

Issuing Officer:

Jeff Glover, Vice President  
Regulatory Operations  
100 CenturyLink Drive  
Monroe, Louisiana 71203



**COMPETITIVE ACCESS SERVICE**

**2. GENERAL REGULATIONS**

**2.6 DEFINITIONS (Cont'd)**

Toll Free Data Base Access Service

(N)

Toll Free Data Base Access Service is a service offering utilizing originating trunk side Switched Access Service. The service provides for the forwarding of end user dialed Toll Free calls to a Company Service Switching Point which will initiate a query to the data base to perform the Customer identification and delivery function. The call is forwarded to the appropriate Customer based on the dialed Toll Free number. Toll Free Data Base Access Service is comprised of the following elements:

1) Basic Query – Customer Identification Charge

The Toll Free Data Base Access Service Basic Query Charge applies for the identification of the appropriate Customer and delivery of the dialed 800 ten digit number. The charge is assessed to the Customer on a per query basis and may include an area of service which may range from a single NPA/NXX to an area consisting of all LATAs and NPAs. The Toll Free Basic Query Charge is set forth in 6.8.1, following.

2) Complex Query – Vertical Feature Charge

The Toll Free Data Base Access Service Complex Query Charge provides feature functionality in addition to the basic query. The feature package may include various destination options such as POTS Translation, carrier selection, time of day routing, day of week routing, specific date routing, geographic routing, routing based on percent of allocation, and emergency routing profiles. The Toll Free Complex Query Charge is set forth in 6.8.1, following.

(N)

Toll VoIP-PSTN Traffic

(M)

The term Toll VoIP-PSTN Traffic denotes a customer’s interexchange voice traffic exchanged with the Telephone Company in Time Division Multiplexing format over PSTN facilities, which originates and/or terminates in Internet Protocol (IP) format. Toll VoIP-PSTN Traffic originates and /or terminates in IP format when it originates from and/or terminates to an end user customer of a service that requires IP-compatible customer premises equipment.

(M)

(M1)

(M) Material moved from Sheet 48.  
(M1) Material moved to Sheet 50.

**COMPETITIVE ACCESS SERVICE**

---

**2. GENERAL REGULATIONS**

**2.6 DEFINITIONS (Cont'd)**

Traffic Type

Denotes Switched Access capacity types.

Transmission Path

Denotes an electrical path capable of transmitting signals within the range of the service offering, e.g., a voice grade transmission path is capable of transmitting voice frequencies within the approximate range of 300 to 3000 Hz. A transmission path comprises physical or derived channels consisting of any form or configuration of facilities typically used in the telecommunications industry.

Trunk

Denotes a communications path connecting two switching systems in a network, used in the establishment of an end-to-end connection.

Trunk Group

Denotes a set of trunks which are traffic engineered as a unit for the establishment of connections between switching systems in which all of the communications paths are interchangeable.

Trunkside Connection

Denotes the connection of a transmission path to the trunk side of a local exchange switching system.

V and H Coordinates Method

Denotes a method of computing airline miles between two points by utilizing an established formula which is based on the vertical (V) and horizontal (H) coordinates of the two points.

Wire Center

Denotes a building in which one or more central offices, used for the provision of Telephone Exchange Services, are located.

(M)

(M)

(M) Material moved from Sheet 49.

---

Issued: October 2, 2014

Effective: November 1, 2014

Issuing Officer:

Jeff Glover, Vice President  
Regulatory Operations  
100 CenturyLink Drive  
Monroe, Louisiana 71203

**COMPETITIVE ACCESS SERVICE**

---

**6. SWITCHED ACCESS SERVICE**

<b>SUBJECT</b>	<b>SHEET</b>	
Acceptance Testing .....	10	
Automatic Number Identification (ANI) .....	13	
Common Switching Optional Features .....	13	
Description and Application of Rates and Charges .....	19	
Description of Feature Group D (FGD) .....	12	
Design and Traffic Routing of Switched Access Service .....	15	
Design Blocking Probability .....	17	
Design of Switched Access Services .....	19	
Determination of Number of End Office Transport Terminations .....	16	(N)
Feature Group D Usage Measurement .....	27	
General .....	1	
Local Switching .....	8	
Measuring Access Minutes .....	26	
Mileage Measurement .....	28	
Minimum Monthly Charge .....	25	
Minimum Periods .....	25	
Moves .....	26	
Network Management .....	15	
Obligations of the Company .....	15	
Obligations of the Customer .....	18	
Ordering Options and Conditions .....	10	
Ordering Requirements .....	18	

---

Issued: October 2, 2014

Effective: November 1, 2014

Issuing Officer: Jeff Glover, Vice President  
Regulatory Operations  
100 CenturyLink Drive  
Monroe, Louisiana 71203

**COMPETITIVE ACCESS SERVICE**

---

**6. SWITCHED ACCESS SERVICE**

<b>SUBJECT</b>	<b>SHEET</b>	
Provision and Description of Switched Access Service .....	11	
Provision of Service Performance Data .....	16	
Provision of Switched Access Service.....	11	
Rate Categories .....	3	
Diagram.....	5	
Rates and Charges.....	29	
Switched Recurring Rates.....	29	
Nonrecurring Rates .....	31	(T)
Rate Terms and Conditions .....	19	
Report Requirements .....	18	
Service Class Routing.....	14	
Switched Access Service Arrangements and Manner of Provision .....	2	
Switched Transport.....	6	
Transmission Specifications .....	14	
Trunk Group Measurement Reports		
Company.....	16	
Customer.....	19	

---

Issued: October 2, 2014

Effective: November 1, 2014

Issuing Officer:

Jeff Glover, Vice President  
Regulatory Operations  
100 CenturyLink Drive  
Monroe, Louisiana 71203

**COMPETITIVE ACCESS SERVICE**

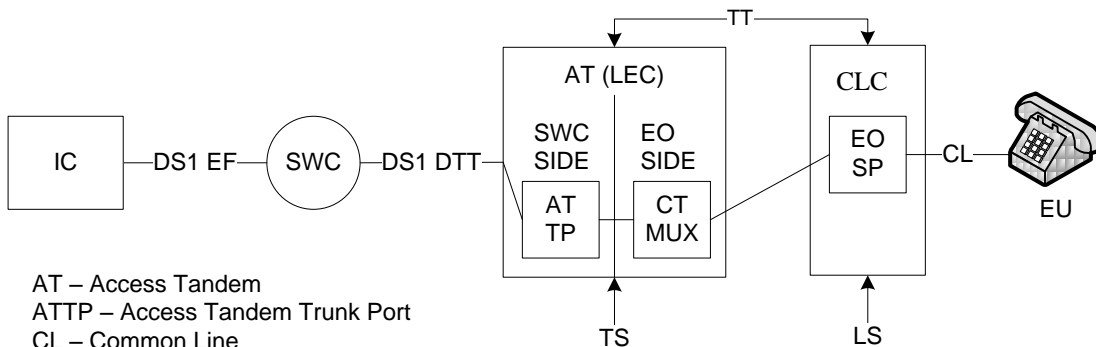
**6. SWITCHED ACCESS SERVICE**

**6.1 GENERAL**

**6.1.2 RATE CATEGORIES (Cont'd)**

**EXAMPLE 1**

**Switched Access Service Ordered  
 with LEC Tandem Routing**



(T)

- AT – Access Tandem
- ATTP – Access Tandem Trunk Port
- CL – Common Line
- CT MUX – Common Transport Multiplexer
- DTT – Direct Trunked Transport
- EF – Entrance Facility
- EO – End Office
- EO SP – End Office Shared Port
- EU – End User
- IC – Interexchange Carrier
- LEC – Local Exchange Carrier
- LS – Local Switching
- MUX – Multiplexer
- SWC – Serving Wire Center
- TS – Tandem Switching
- TT – Tandem Transmission

Issued: October 2, 2014

Effective: November 1, 2014

Issuing Officer:

Jeff Glover, Vice President  
 Regulatory Operations  
 100 CenturyLink Drive  
 Monroe, Louisiana 71203

**COMPETITIVE ACCESS SERVICE**

---

**6. SWITCHED ACCESS SERVICE**

**6.1 GENERAL**

**6.1.2 RATE CATEGORIES (Cont'd)**

A. Switched Transport

1. General Description

The Switched Transport rate category provides the transmission facilities between the customer's premises and the end office switch(s) where the customer's traffic is switched to originate or terminate its communications. The Switched Transport rate category provides the transmission facilities between the customer's premises and a LEC tandem.

Switched Transport is a two-way voice-frequency transmission path composed of an Entrance Facility (EF) and a Direct-Trunked Transport (DTT) facility to the tandem and Tandem-Switched Transport (TST) from the tandem to the subtending end offices. The transmission path permits the transport of calls in the originating direction (from the end user's end office switch to the customer's premises) and in the terminating direction (from the customer's premises to the end office switch), but not simultaneously. The voice-frequency transmission path may be comprised of any form or configuration of plant capable of and typically used in the telecommunications industry for the transmission of voice and associated telephone signals within the frequency bandwidth of approximately 300 to 3000 Hz.

(D)  
|  
(D)

Switched Transport is provided at the rates and charges set forth in Section 6.8, following. The application of these rates with respect to the different types of service is as set forth in 6.7.1, following.

Switched Access is ordered under the access order provisions as set forth in Section 5, preceding. Design and traffic routing of Switched Access Service is described in 6.5.2, following.

---

Issued: October 2, 2014

Effective: November 1, 2014

Issuing Officer:

Jeff Glover, Vice President  
Regulatory Operations  
100 CenturyLink Drive  
Monroe, Louisiana 71203

**COMPETITIVE ACCESS SERVICE**

---

**6. SWITCHED ACCESS SERVICE**

**6.1 GENERAL**

**6.1.2 RATE CATEGORIES**

A. Switched Transport (Cont'd)

2. Switched Transport TST Rate Category

TST provides the transmission facilities between a LEC tandem and the Company's end offices subtending that tandem. For TST, the Company will determine the type of facilities to the end office(s) based on the customer's order for service on a per-trunk basis.

The TST rate category is composed of the Tandem Transmission rate element, a fixed per-MOU rate and per-mile/per-MOU rate. The fixed rate provides for the circuit equipment at the end of the interoffice transmission paths. The per-mile rate provides for the transmission facilities, including intermediate transmission circuit equipment between the end points of the interoffice circuit. For purposes of determining the per-mile rate, mileage will be measured as airline mileage using the V & H coordinates method. Mileage measurement rules are set forth in 6.7.7, and rates and charges are set forth in Section 6.8, following.

3. Tandem Switching

Tandem Switching is per-MOU rate assessed for utilization tandem switching functions when tandem routing is requested for trunkside services.

4. Common Transport Multiplexing

Common Transport multiplexing equipment is utilized in the end office side of the access tandem when common transport is provided between the access tandem and the subtending end offices. This rate is assessed on the per-MOU basis.

(N)  
|  
(N)

---

Issued: October 2, 2014

Effective: November 1, 2014

Issuing Officer:

Jeff Glover, Vice President  
Regulatory Operations  
100 CenturyLink Drive  
Monroe, Louisiana 71203

**COMPETITIVE ACCESS SERVICE**

---

**6. SWITCHED ACCESS SERVICE**

**6.1 GENERAL**

**6.1.2 RATE CATEGORIES (Cont'd)**

B. Local Switching

The Local Switching rate category provides the local end office switching, end user line termination and intercept functions necessary to complete the transmission of Switched Access Communications to and from the end users served by the local end office. The Local Switching rate categories are described following. Local Switching rates are set forth in Section 6.8. The application of these rates with respect to the different types of service are set forth in 6.7.1, following.

1. Local End Office Switching Functions

a. Common Switching

Common Switching provides the local end office switching functions. Included as part of Common Switching are optional features which the customer can order. These optional features are described in 6.3, following.

(T)

b. Transport Termination

Transport Termination provides for the lineside or trunkside arrangements which terminate the Switched Transport facilities. The number of Transport Terminations will be determined by the Company as set forth in 6.5.5, following.

(C)  
|  
(C)

---

Issued: October 2, 2014

Effective: November 1, 2014

Issuing Officer:

Jeff Glover, Vice President  
Regulatory Operations  
100 CenturyLink Drive  
Monroe, Louisiana 71203



**COMPETITIVE ACCESS SERVICE**

---

**6. SWITCHED ACCESS SERVICE**

**6.1 GENERAL**

**6.1.2 RATE CATEGORIES**

**B. Local Switching (Cont'd)**

**2. Local Switching Rate Categories**

- a. Local Switching per MOU rate elements applies to originating and terminating minutes.
- b. End Office Shared Port

The End Office Shared Port rate provides for the termination of Tandem Transmission trunks in the shared end office ports. The End Office Shared Port is assessed on a per MOU basis to all trunkside originating and terminating access minutes utilizing tandem routing to an end office.

**c. Toll Free Database Access Service**

Toll Free Data Base Access Service is a service offering utilizing originating trunk side Switched Access Service. The service provides for the forwarding of end user dialed Toll Free calls to a Company Service Switching Point which will initiate a query to the data base to perform the Customer identification and delivery function. The call is forwarded to the appropriate Customer based on the dialed Toll Free number. Toll Free Data Base Access Service is comprised of the following elements:

- Basic Query - Customer Identification Charge

The Toll Free Data Base Access Service Basic Query Charge applies for the identification of the appropriate Customer and delivery of the dialed 800 ten digit number. The charge is assessed to the Customer on a per query basis and may include an area of service which may range from a single NPA/NXX to an area consisting of all LATAs and NPAs. The Toll Free Basic Query Charge is set forth in 6.8.1.

- Complex Query – Vertical Feature Charge

The Toll Free Data Base Access Service Complex Query Charge provides feature functionality in addition to the basic query. The feature package may include various destination options such as POTS Translation, carrier selection, time of day routing, day of week routing, specific date routing, geographic routing, routing based on percent of allocation, and emergency routing profiles. The Toll Free Complex Query Charge is set forth in 6.8.1.

(N)  
|  
(N)

---

Issued: October 2, 2014

Effective: November 1, 2014

Issuing Officer:

Jeff Glover, Vice President  
Regulatory Operations  
100 CenturyLink Drive  
Monroe, Louisiana 71203

---

**COMPETITIVE ACCESS SERVICE**

---

**6. SWITCHED ACCESS SERVICE**

**6.2 PROVISION AND DESCRIPTION OF SWITCHED ACCESS SERVICE (Cont'd)**

**6.2.2 DESCRIPTION OF FEATURE GROUP D (FGD)**

- A. FGD is provided at Company designated end office switches or at tandem switches.
- B. FGD provides a trunkside termination through the use of tandem switch trunk equipment.
- C. When Feature Group D is switched through an access tandem, the Company's Switched Transport configuration is composed of TST from the access tandem to the end offices subtending the tandem. (T)  
(T)
- D. The number dialed by the customer's end user shall be a seven or ten digit number for calls in the North American Numbering Plan (NANP). The form of the numbers dialed by the end user is 1 + NPA + NXX-XXXX.
- E. FGD is provided with Transmission Type A1 parameters that are delineated in industry standards and Technical Publications.
- F. FGD is provided, in the terminating direction where equipment is available, with ten digit access to milliwatt (102 type) test line.

---

Issued: October 2, 2014

Effective: November 1, 2014

Issuing Officer:

Jeff Glover, Vice President  
Regulatory Operations  
100 CenturyLink Drive  
Monroe, Louisiana 71203

**COMPETITIVE ACCESS SERVICE**

---

**6. SWITCHED ACCESS SERVICE**

**6.5 OBLIGATIONS OF THE COMPANY (Cont'd)**

**6.5.3 PROVISION OF SERVICE PERFORMANCE DATA**

Subject to availability, end-to-end service performance data available to the Company through its own service evaluation routines, may also be made available to the customer based on previously arranged intervals and format. These data provide information on overall end-to-end call completion and non-completion performance, e.g., customer equipment blockage, failure results and transmission performance. These data do not include service performance data which are provided under other Tariff sections, e.g., testing service results. If data are to be provided in other than paper format, the charges for such exchange will be determined on an individual case basis.

**6.5.4 TRUNK GROUP MEASUREMENT REPORTS**

Subject to availability, the Company will make available trunk group data in the form of usage in CCS, peg count and overflow, to the customer based on previously agreed to intervals.

**6.5.5 DETERMINATION OF NUMBER OF END OFFICE TRANSPORT TERMINATIONS**

For digital entry switches, an equivalent termination will be provided for each Feature Group or trunk requested

(N)  
|  
(N)

---

Issued: October 2, 2014

Effective: November 1, 2014

Issuing Officer:

Jeff Glover, Vice President  
Regulatory Operations  
100 CenturyLink Drive  
Monroe, Louisiana 71203

**COMPETITIVE ACCESS SERVICE**

---

**6. SWITCHED ACCESS SERVICE**

**6.5 OBLIGATIONS OF THE COMPANY (Cont'd)**

**6.5.6 DESIGN BLOCKING PROBABILITY**

(T)

The Company will perform routine measurement functions for the trunks ordered in accordance with Company design blocking criteria to assure that an adequate number of trunks are in service. The Company will recommend that additional trunks be ordered by the customer when additional trunks are required to reduce the measured blocking to the designed blocking level. Where design blocking criteria apply, the design blocking objective is assumed to have been met if the routine measurements show that the measured blocking does not exceed the thresholds listed in the following table.

For transmission paths carrying first-routed traffic between an end office and a customer's premises via a tandem, the measured blocking thresholds are as follows:

NUMBER OF TRANSMISSION PATHS PER TRUNK GROUP	MEASURED BLOCKING THRESHOLDS IN THE TIME CONSISTENT BUSY HOUR FOR THE NUMBER OF MEASUREMENTS PER TRUNK GROUP			
	15-20 MEASURE- MENTS	11-14 MEASURE- MENTS	7-10 MEASURE- MENTS	3-6 MEASURE- MENTS
2	.045	.055	.060	.095
3	.035	.040	.045	.060
4	.035	.040	.045	.055
5-6	.025	.035	.040	.045
7 or more	.020	.025	.030	.040

Issued: October 2, 2014

Effective: November 1, 2014

Issuing Officer:

Jeff Glover, Vice President  
 Regulatory Operations  
 100 CenturyLink Drive  
 Monroe, Louisiana 71203

---

**COMPETITIVE ACCESS SERVICE**

---

**6. SWITCHED ACCESS SERVICE**

**6.7 RATE TERMS AND CONDITIONS**

**6.7.1 DESCRIPTION AND APPLICATION OF RATES AND CHARGES**

B. Nonrecurring Charges

3. Service Rearrangements (Cont'd)

(T)

- a. Administrative changes will be made without charge(s) to the customer. Administrative changes are as follows:
- Change of customer name, (i.e., the customer of record does not change, but rather the customer of record changes its name, e.g., XYZ Company to XYZ Communications),
  - Change of customer name as the result of a transfer of use of service as set forth in 2.1.2, preceding,
  - Change of customer or customer's end user's premises address when the change of address is not a result of a physical relocation of equipment,
  - Change in billing data (name, address or contact name or telephone number),
  - Change of agency authorization,
  - Change of customer circuit identification,
  - Change of billing account number,
  - Change of customer test line number,
  - Change of customer or customer's end user's contact name or telephone number, and
  - Change of jurisdiction.

---

Issued: October 2, 2014

Effective: November 1, 2014

Issuing Officer:

Jeff Glover, Vice President  
Regulatory Operations  
100 CenturyLink Drive  
Monroe, Louisiana 71203

---

**COMPETITIVE ACCESS SERVICE**

---

**6. SWITCHED ACCESS SERVICE****6.7 RATE TERMS AND CONDITIONS****6.7.1 DESCRIPTION AND APPLICATION OF RATES AND CHARGES****B. Nonrecurring Charges****3. Service Rearrangements (Cont'd)**

(T)

b. All other service rearrangements will be charged for as follows:

- If the change involves the addition of or a modification to an optional feature which has a separate nonrecurring charge, that nonrecurring charge will apply.
- If, due to an office replacement, a customer requests conversion from one-way to two-way trunks, and the request is made six months in advance of the office replacement due date, the nonrecurring charges will not apply.
- For all other changes, including the addition of, or modifications to optional features without separate nonrecurring charges, a charge equal to one-half the Switched Transport per trunk nonrecurring (i.e., installation) charge will apply. This one-half nonrecurring charge is assessed the "first" installation charge for the first trunk and each additional trunk is assessed the "each additional" installation charge, per Access Order. If two or more optional features and changes are ordered on the same Access Order, the optional feature or change requiring the lowest level of work activity will apply. A maximum one-half nonrecurring charge will apply per Access Order for service rearrangements.
- If a feature is not required on each trunk, but rather for an entire hunt or trunk group, only one such charge will apply (i.e., it will not apply per trunk). This one-half nonrecurring charge is assessed the "first" installation charge for the first hunt group, trunk group or end office. Each additional hunt group, trunk group or end office is assessed the "each additional" installation charge, per Access Order. Nonrecurring charges for service rearrangements are specified in Section 6.8, following.

---

Issued: October 2, 2014

Effective: November 1, 2014

Issuing Officer:

Jeff Glover, Vice President  
Regulatory Operations  
100 CenturyLink Drive  
Monroe, Louisiana 71203

**COMPETITIVE ACCESS SERVICE**

---

**6. SWITCHED ACCESS SERVICE**

**6.7 RATE TERMS AND CONDITIONS**

**6.7.1 DESCRIPTION AND APPLICATION OF RATES AND CHARGES**

B. Nonrecurring Charges (T)

3. Service Rearrangements

b. All other service rearrangements will be charged for as follows: (Cont'd)

- Nonrecurring charges for additional (i.e., two or more) CICs are determined based on whether the FGD trunk(s) or trunk group(s) are new or existing, and the level of work activity (i.e., trunk, trunk group, and/or tandem).

- When the trunk or trunk group is new, one CIC is included in the nonrecurring charges for the initial Access Order. Each additional CIC requested on the same Access Order is assessed one-half the "each additional" installation charge assessed. In addition, the charge is based on the lowest level of work, per Access Order, per LATA. The additional (i.e., two or more) CIC service rearrangement charge is in addition to Installation Charge(s) for the trunk(s).

- When the FGD trunk group is existing service and the customer is requesting additional CICs on an existing tandem-routed trunk group, the customer is charged one-half the "first" installation charge. Each "additional" CIC after the "first additional" CIC on the same Access Order is charged one-half the "each additional" installation charge, per LATA.

C. Application of Rates (T)

Rate categories and the application of rates are described in 6.1.2. Rates and charges are set forth in Section 6.8, following. (C)  
(C)

---

Issued: October 2, 2014

Effective: November 1, 2014

Issuing Officer:

Jeff Glover, Vice President  
Regulatory Operations  
100 CenturyLink Drive  
Monroe, Louisiana 71203

---

**COMPETITIVE ACCESS SERVICE**

---

**6. SWITCHED ACCESS SERVICE**

**6.7 RATE TERMS AND CONDITIONS (Cont'd)**

(D)  
|  
(D)

**6.7.2 MINIMUM PERIODS**

Minimum periods for Switched Access Service are described in 5.2.3, preceding.

**6.7.3 MINIMUM MONTHLY CHARGE**

Switched Access Service is subject to a minimum monthly charge. The minimum charge applies for the total capacity provided. The minimum monthly charge for usage rated elements is the sum of the charges set forth in Section 6.8, following, for the measured or assumed usage for the month.

---

Issued: October 2, 2014

Effective: November 1, 2014

Issuing Officer:

Jeff Glover, Vice President  
Regulatory Operations  
100 CenturyLink Drive  
Monroe, Louisiana 71203



---

**COMPETITIVE ACCESS SERVICE**

---

**6. SWITCHED ACCESS SERVICE****6.7 RATE TERMS AND CONDITIONS (Cont'd)****6.7.4 MOVES**

New minimum period requirements will be established for moved or reconfigured services. Any changes to the existing Switched Access facilities, trunks and optional features as they exist at the current location, excluding a change in Circuit Facility Assignment (CFA), made in conjunction with a move or reconfiguration, will be treated as a discontinuance and a start of new service and all associated nonrecurring installation charges will apply. The addition of lines and trunks made in conjunction with a move or reconfiguration will be treated as a start of new service and all associated nonrecurring installation charges and new minimum period requirements will apply. The customer will also remain responsible for satisfying all outstanding minimum period charges for any disconnected service as the result of a move or reconfiguration.

(D)

**6.7.5 MEASURING ACCESS MINUTES**

Customer traffic to or from Company end office switches will be measured (i.e., recorded) by the Company at end office switches. The measured minutes are the chargeable access minutes.

---

Issued: October 2, 2014

Effective: November 1, 2014

Issuing Officer:

Jeff Glover, Vice President  
Regulatory Operations  
100 CenturyLink Drive  
Monroe, Louisiana 71203

**COMPETITIVE ACCESS SERVICE**

**6. SWITCHED ACCESS SERVICE**

**6.8 RATES AND CHARGES**

**6.8.1 SWITCHED RECURRING RATES**

A. Tandem-Switched Transport Usage Rates

	<b>RATE PER ACCESS MINUTE FIXED</b>	<b>PER MILE</b>	
• Tandem Transmission:			
Facility Termination			
- Originating	7.8.1.A.[1]	7.8.1.A.[1]	(T)
- Terminating	7.8.1.A.[1]	7.8.1.A.[1]	(T)
			(M)
			(N)
• Tandem Switching Charge			
- Originating		7.8.1.A.[1]	
- Terminating		7.8.1.A.[1]	
• Common Transport Multiplexing			
- Originating		7.8.1.A.[1]	
- Terminating		7.8.1.A.[1]	(N)

(M) Material moved to Sheet 30.

[1] The rate for this element is as specified in the CenturyLink Communications, LLC Tariff F.C.C. No. 1 as it now exists, and as it may be revised, added to, or supplemented. (T)

Issued: October 2, 2014

Effective: November 1, 2014

Issuing Officer:

Jeff Glover, Vice President  
 Regulatory Operations  
 100 CenturyLink Drive  
 Monroe, Louisiana 71203

**COMPETITIVE ACCESS SERVICE**

**6. SWITCHED ACCESS SERVICE**

**6.8 RATES AND CHARGES**

**6.8.1 SWITCHED RECURRING RATES**

B. Local Switching

(M)

**RATE PER ACCESS MINUTE**

- Local End Office Switching:

- Originating

7.8.1.B.[1]

(T)

- Terminating

7.8.1.B.[1]

(T)

- End Office Shared Port

- Originating

7.8.1.B.[1]

(T)

- Terminating

7.8.1.B.[1]

(T-M)

**RATE PER  
CALL/QUERY**

(N)

- Toll Free Data Base Access Service

- Basic Query

7.8.1.B.[1]

- Complex Query

7.8.1.B.[1]

(N)

(M1)

(M) Material moved from Sheet 29.

(M1) Material moved to Sheet 31.

[1] The rate for this element is as specified in the CenturyLink Communications, LLC Tariff F.C.C. No. 1 as it now exists, and as it may be revised, added to, or supplemented.

(T)

Issued: October 2, 2014

Effective: November 1, 2014

Issuing Officer:

Jeff Glover, Vice President  
 Regulatory Operations  
 100 CenturyLink Drive  
 Monroe, Louisiana 71203

**COMPETITIVE ACCESS SERVICE**

---

**6. SWITCHED ACCESS SERVICE**

**6.8 RATES AND CHARGES (Cont'd)**

**6.8.2 NONRECURRING RATES**

A. Trunk Installation		<b>NONRECURRING CHARGE</b>	(M)
• First trunk		7.8.2.A.[1]	(T)
• Each additional trunk		7.8.2.A.[1]	(T)
B. Moves within the Same Serving Wire Center			
Switched Access Service, per trunk			
• First trunk		7.8.2.B.[1]	(T)
• Each additional trunk		7.8.2.B.[1]	(T-M)

(M) Material moved from Sheet 30.

[1] The rate for this element is as specified in the CenturyLink Communications, LLC Tariff F.C.C. No. 1 as it now exists, and as it may be revised, added to, or supplemented. (N)  
 (N)

---

Issued: October 2, 2014	Effective: November 1, 2014
Issuing Officer:	Jeff Glover, Vice President Regulatory Operations 100 CenturyLink Drive Monroe, Louisiana 71203