

FACILITIES FOR INTRASTATE ACCESS

RECEIVED

4. SWITCHED ACCESS (Cont'd)

FEB 7 1996

4.5 Rate and Charge Regulations (Cont'd)

MISSOURI
Public Service Commission

4.5.2 Rate Regulations (Cont'd)

(N) Description and Application of Rates (Cont'd)

(4) Equal Access Notification

The Telephone Company will provide written notification to all of its customers of record operating within a particular LATA that an end office in that LATA is scheduled to be converted to an equal access end office. This notification will be sent, via U.S. Mail, to each GTOC customer of record operating in the LATA where the conversion is scheduled to occur, at least twelve months in advance of the conversion date.

The customer will have the choice of converting existing services to equal access (i.e., Feature Group D) at no charge or retaining the existing services (with the exception of FGC). Premium rates will apply to the total Access Minutes beginning on the actual conversion date, whether the customer chooses to convert to FGD or retain existing services.

(5) End Office Switching

When equal access becomes available, rates for end office switching 1 (EOS1) and end office switching 2 (EOS2) will apply as follows:

- (a) FGA customers will pay the EOS1 rate for all FGA access minutes originating from or terminating at that end office except as in (f).
- (b) FGB customers with no FGD service provided at the same end office will pay the EOS1 rate for all FGB access minutes originating from or terminating at that end office except as in (f).
- (c) FGB customers with FGD service provided at the same end office will pay the EOS1 rate for FGB access minutes originating from that end office and the EOS2 rate for FGB access minutes terminating at that end office.
- (d) FGD customers will pay the EOS2 rate for all FGD access minutes originating from or terminating at that end office.
- (e) SAC Access Service customers will pay the EOS2 rate for all SAC Access minutes originating from that end office.
- (f) When FGA or FGB is used for terminating WATS or WATS-type services, the customer will pay the EOS2 rate for all terminating access minutes.
- (g) End Office Switching rates do not apply to switched access minutes of use that originate or terminate at MTSOs directly interconnected to a Telephone Company access tandem office.

FILED
95-163
APR 1 1996

Issued: February 7, 1996

Effective: April 1, 1996

Kenneth Matzdorff
President
Peculiar, Missouri

MISSOURI PUBLIC SERVICE COMMISSION

FACILITIES FOR INTRASTATE ACCESS

RECEIVED

FEB 7 1996

4. SWITCHED ACCESS (Cont'd)

4.5 Rate and Charge Regulations (Cont'd)

MISSOURI
Public Service Commission

4.5.2 Rate Regulations (Cont'd)

(0) Measuring Access Minutes

Customer traffic to end offices will be measured (i.e., recorded or assumed) by the Telephone Company at end office switches or access tandem switches. Originating and terminating calls will be measured (i.e., recorded or assumed) by the Telephone Company to determine the basis for computing chargeable access minutes. For terminating calls over FGA, FGB, FGC (to SAC Access and Directory Assistance Services) and FGD, the measured access minutes are the chargeable access minutes. For originating calls over FGA and FGB, the measured access minutes are the chargeable access minutes.

For originating calls over FGC, chargeable access minutes are derived from measured access minutes through the use of a Telephone Company factor. A description of the factor is in (4).

FILED
95-163
APR 1 1996

Issued: February 7, 1996

Effective: April 1, 1996

Kenneth Matzdorff
President
Peculiar, Missouri

MO. PUBLIC SERVICE COMMISSION

CANCELLED
February 19, 2018
Missouri Public
Service Commission
TN-2018-0198; JI-2018-0088

FACILITIES FOR INTRASTATE ACCESS

RECEIVED

FEB 7 1996

4. SWITCHED ACCESS (Cont'd)

4.5 Rate and Charge Regulations (Cont'd)

4.5.2 Rate Regulations (Cont'd)

MISSOURI
Public Service Commission

(0) Measuring Access Minutes (Cont'd)

FGA access minutes, or fractions thereof, are accumulated over the billing period for each line or hunt group, and are then rounded up to the nearest access minute for each line or hunt group. FGB, FGC and FGD access minutes or fractions thereof, are accumulated over the billing period for each office, and are then rounded up to the nearest access minute for each end office. The exact value of the fraction is a function of the switch technology where the measurement is made.

When measurement capability for FGA and FGB is not available, access minutes shall be assumed as described in (3) following.

When usage data is required for a specific end office in an Access Area with multiple end offices, and usage to that office cannot be measured, a portion of total usage will be allocated to the specific end office based upon the portion of subscriber lines served by that end office.

(1) Feature Group A Usage Measurement

For originating calls over FGA, usage measurement begins when the FGA first point of switching receives an off-hook supervisory signal forwarded from the CDL. Where FGA is used for MTS/WATS-type service, this off-hook signal is generally provided by the customer's equipment. Where FGA is used for FCO/ONAL-type services, the off-hook signal is generally forwarded by the customer's equipment when the called party answers.

The measurement of originating call usage over FGA ends when the FGA first point of switching receives an on-hook supervisory signal from either the end office switch, indicating the originating end user has disconnected, or the CDL, whichever is recognized first by the first point of switching.

For terminating calls over FGA, usage measurement begins when the FGA first point of switching receives an off-hook supervisory signal from the end office switch, indicating the terminating end user has answered. The measurement of terminating call usage over FGA ends when the terminating FGA first point of switching receives an on-hook supervisory signal from either the end office switch, indicating the terminating end user has disconnected, or the CDL, whichever is recognized first by the first point of switching.

FILED
95-163
APR 1 1996

Issued: February 7, 1996

Effective: April 1, 1996

Kenneth Matzdorff
President
Peculiar, Missouri

MISSOURI PUBLIC SERVICE COMMISSION

FACILITIES FOR INTRASTATE ACCESS

RECEIVED

4. SWITCHED ACCESS (Cont'd)

FEB 7 1996

4.5 Rate and Charge Regulations (Cont'd)

MISSOURI
Public Service Commission

4.5.2 Rate Regulations (Cont'd)

(0) Measuring Access Minutes (Cont'd)

(2) Feature Group B Usage Measurement

For originating calls over FGB, usage measurement begins when the FGB first point of switching receives the first acknowledgement from the CDL, indicating the customer's equipment has answered.

The measurement of originating call usage over FGB ends when the FGB first point of switching receives disconnect supervision from either the end office switch, indicating the originating end user has disconnected, or the CDL, whichever is recognized first by the first point of switching.

For terminating calls over FGB, usage measurement begins when the FGB first point of switching receives answer supervision from the end office switch, indicating the terminating end user has answered.

The measurement of terminating call usage over FGB ends when the FGB first point of switching receives disconnect supervision from either the end office switch, indicating the terminating end user has disconnected, or the CDL, whichever is recognized first by the first point of switching.

(3) Usage Measurement Not Available For Feature Groups A and B

When originating and/or terminating measurement capability does not exist, the number of access minutes per FGA line or FGB trunk, per month, will be assumed based on the following:

- A single monthly surrogate of assumed minutes per two-way line/trunk per month shall apply as in 4.6.7. For FGA lines, the terminating assumed usage will be 47% of the two-way surrogate and the originating assumed usage will be 53% of the two-way surrogate. For FGB trunks, the terminating assumed usage will be one half of the two-way surrogate and the originating will be one half of the two-way surrogate.
- When measurement capabilities do not exist for a one way FGA line or FGB trunk, a single monthly surrogate of assumed minutes per one way line/trunk per month shall apply as in 4.6.7.
- When measurement capabilities do not exist in one direction for a two-way line (e.g., recording for terminating only) the number of access minutes per line, per month will be the assumed surrogate for a two-way line or the recorded usage for the single direction, whichever is greater.

FILED
95-163
APR 1 1996

Issued: February 7, 1996

Effective: April 1, 1996

Kenneth Matzdorff
President
Peculiar, Missouri

MO. PUBLIC SERVICE COMMISSION

CANCELLED
February 19, 2018
Missouri Public
Service Commission
TN-2018-0198; JI-2018-0088

FACILITIES FOR INTRASTATE ACCESS

RECEIVED

4. SWITCHED ACCESS (Cont'd)

FEB 7 1996

4.5 Rate and Charge Regulations (Cont'd)

MISSOURI
Public Service Commission

4.5.2 Rate Regulations (Cont'd)

(0) Measuring Access Minutes (Cont'd)

(3) Usage Measurement Not Available For Feature Groups A and B (Cont'd)

- In the event of measurement equipment failure, minutes of use will be determined as follows:

For the initial month of service, FGA or FGB minutes will be assumed as indicated above unless actual usage recorded prior to the failure is greater than the assumed usage.

For subsequent months, the greater of 1) actual usage recorded prior to the failure, or 2) the average of the three month current months' usage (or less if three months are not available) will be used.

FILED
95-163
APR 1 1996

Issued: February 7, 1996

Effective: April 1, 1996

Kenneth Matzdorff
President
Peculiar, Missouri

CANCELLED
February 19, 2018
Missouri Public
Service Commission
TN-2018-0198; JI-2018-0088

FACILITIES FOR INTRASTATE ACCESS

RECEIVED

4. SWITCHED ACCESS (Cont'd)

FEB 7 1996

4.5 Rate and Charge Regulations (Cont'd)

MISSOURI
Public Service Commission

4.5.2 Rate Regulations (Cont'd)

(0) Measuring Access Minutes (Cont'd)

(4) Feature Group C Usage Measurement

For originating calls over FGC, usage measurement begins when the originating FGC first point of switching receives answer supervision from the CDL, indicating the called party has answered. However, for billing purposes usage begins at the time that the originating end user's call is delivered by the Telephone Company, and acknowledged as received by the customer's facilities connected with the originating central office.

For originating calls over FGC, measured access minutes are converted into chargeable access minutes using the following equation and factor:

$$\text{Originating Minutes} = \text{Conversation minutes} + (\text{factor} \times \text{quantity of completed calls}).$$

$$\text{Factor} = \frac{\text{non-conversation minutes per completed call} + [(\text{non-conversation minutes per incompleted call}) \times (1 - \text{completion ratio})]}{\text{completion ratio}}.$$

The measurement of originating call usage over FGC ends when the FGC first point of switching receives disconnect supervision from either the end office switch, indicating the originating end user has disconnected, or the CDL, whichever is recognized first by the first point of switching.

For terminating calls over FGC to services other than SAC Access or Directory Assistance, terminating FGC usage is not directly measured at the first point of switching, but is derived from originating usage, excluding usage from calls to SAC Access or Directory Assistance Services.

Terminating call usage over FGC, other than SAC Access and Directory Assistance, is derived from originating usage as follows:

$$\text{Terminating Minutes} = \text{Originating conversation minutes} \times \text{In/Out ratio}.$$

$$\text{In/Out Ratio} = \frac{\text{Relationship between originating (i.e. Out) and terminating (i.e. In) conversation minutes.}}$$

FILED
95-163
APR 1 1996

Issued: February 7, 1996

Effective: April 1, 1996

Kenneth Matzdorff
President
Peculiar, Missouri

MISSOURI PUBLIC SERVICE COMMISSION

FACILITIES FOR INTRASTATE ACCESS

RECEIVED

4. SWITCHED ACCESS (Cont'd)

FEB 7 1996

4.5 Rate and Charge Regulations (Cont'd)MISSOURI
Public Service Commission4.5.2 Rate Regulations (Cont'd)(O) Measuring Access Minutes (Cont'd)(4) Feature Group C Usage Measurement (Cont'd)

For terminating calls over FGC to SAC Access or Directory Assistance Service, usage measurement begins when the FGC first point of switching receives answer supervision from the end office switch, indicating the terminating SAC Access Service end user has answered, or from the Directory Assistance Service location, indicating the Directory Assistance operator has answered.

The measurement of terminating call usage over FGC to SAC Access or Directory Assistance Services ends when the FGC first point of switching receives an on-hook supervisory signal from the end office switch, indicating the terminating SAC Access Service end user has disconnected, or from the Directory Assistance location, indicating the Directory Assistance operator has disconnected, or from the CDL, whichever occurs first.

(5) Feature Group D Usage Measurement

For originating calls over FGD with multifrequency (MF) signaling, usage measurement begins when the FGD first point of switching receives the first wink supervisory signal forwarded from the CDL.

For originating calls over FGD with SS7 Out of Band Signaling, usage measurement for direct trunks begins when the FGD first point of switching sends an Initial Address Message. Usage measurement for tandem trunks begins when the FGD first point of switching receives an Exit Message.

The measurement of originating call usage over FGD with MF signaling ends when the FGD first point of switching receives disconnect supervision from either the end office switch, indicating the originating end user has disconnected, or the CDL, whichever is recognized first by the first point of switching.

The measurement of originating call usage over FGD with SS7 Out of Band Signaling ends when a Release Message is sent or received by the originating end user's end office, whichever occurs first.

FILED
95-163
APR 1 1996

Issued: February 7, 1996

Effective: April 1, 1996

Kenneth Matzdorff
President
Peculiar, Missouri

MO. PUBLIC SERVICE COM.

FACILITIES FOR INTRASTATE ACCESS

RECEIVED

4. SWITCHED ACCESS (Cont'd)

FEB 7 1996

4.5 Rate and Charge Regulations (Cont'd)

MISSOURI
Public Service Commission

4.5.2 Rate Regulations (Cont'd)

(0) Measuring Access Minutes (Cont'd)

(5) Feature Group D Usage Measurement (Cont'd)

For terminating calls over FGD with MF signaling or FGD with SS7 Out of Band Signaling, usage measurement begins when the FGD first point of switching receives answer supervision from the end office switch, indicating the terminating end user has answered.

The measurement of terminating call usage over FGD with MF signaling ends when the FGD first point of switching receives disconnect supervision from either the end office switch, indicating the terminating end user has disconnected, or the CDL, whichever is recognized first by the first point of switching.

The measurement of terminating call usage over FGD with SS7 Out of Band Signaling ends when the FGD first point of switching receives or sends a Release Message, whichever occurs first.

(6) SAC Access Service Usage Measurement

SAC Access Service usage measurement shall be in accordance with the regulations set forth for FGC and FGD. Specifically, for usage originating from end offices not equipped with equal access capabilities, access minutes shall be measured in the same manner in which FGC access minutes are measured. For usage originating from end offices equipped with equal access capabilities, access minutes shall be measured in the same manner in which FGD access minutes are measured.

4.5.3 (Reserved for Future Use)

FILED
95-163
APR 1 1996

Issued: February 7, 1996

Effective: April 1, 1996

Kenneth Matzdorff
President
Peculiar, Missouri

CANCELLED
February 19, 2018
Missouri Public
Service Commission
TN-2018-0198; JI-2018-0088

FACILITIES FOR INTRASTATE ACCESS

RECEIVED

4. SWITCHED ACCESS (Cont'd)

FEB 7 1996

4.5 Rate and Charge Regulations (Cont'd)

4.5.4 (Reserved for Future Use)

4.5.5 Application of Rates for FGA Extension Service

MISSOURI
Public Service Commission

FGA is available with extensions (i.e., additional terminations of the service at different buildings in the same LATA). FGA extensions are provided and charged for as Special Access. The rate elements which apply are Special Transport (from the extension bridging point to the wire center serving the CDL), and Special Access Lines. All appropriate monthly rates and nonrecurring charges are in 5.7.

FILED
95 - 163
APR 1 1996

Issued: February 7, 1996

Effective: April 1, 1996

Kenneth Matzdorff
President
Peculiar, Missouri

MO. PUBLIC SERVICE COMMISSION

CANCELLED
February 19, 2018
Missouri Public
Service Commission
TN-2018-0198; JI-2018-0088

FACILITIES FOR INTRASTATE ACCESS

4. SWITCHED ACCESS (Cont'd)

4.6 Rates and Charges

4.6.1 Nonrecurring Charges

(A) (Reserved for Future Use)

(B) Switched Access -Service Ordering Charges

Initial Ordering Charges-Switched Access per ASR (USOC)	Subsequent Ordering Charge-Switched Access per ASR (SESEX)
(SESCL)	(SESEX)
* (C)	* (C)

(C) Design Change Charge

Per ASR/Per Occurrence

* (C)

(D) Network Blocking Charge

Applies to FGB, FGC and SAC Access Service
Per Call
\$0.018

(E) Miscellaneous Service Order Charge Per ASR/Per Occurrence

* (C)

(F) Trunk Activation – Per 24 Trunks Activated or Fraction thereof, on a Per Order Basis

* (C)

*The rates, charges and conditions for the provision of intrastate terminating Carrier Access Service are as specified in the NECA Tariff FCC No. 5 as it now exists, and as it may be revised, added to, or supplemented.

(C)
|
(C)

FACILITIES FOR INTRASTATE ACCESS

4. SWITCHED ACCESS (Cont'd)

4.6 Rates and Charges

4.6.1 Nonrecurring Charges

(A) (Reserved for Future Use)

(B) Switched Access -Service Ordering Charges

(USOC)	Initial	Subsequent
	<u>Ordering Charges-Switched Access</u> per ASR (SESCL)	<u>Ordering Charge-Switched Access</u> per ASR (SESEX)
	\$86.00 (R)	\$86.00 (R)

(C) Design Change Charge

Per ASR/Per Occurrence

\$84.00 (R)

(D) Network Blocking Charge

Applies to FGB, FGC and SAC Access Service
Per Call
\$0.018

(E) Miscellaneous Service Order Charge Per ASR/Per Occurrence

\$123.00

(F) Trunk Activation – Per 24 Trunks Activated or Fraction thereof, on a Per Order Basis

\$476.80

(N)

(N)

Issued: May 31, 2013

Effective: July 2, 2013

Patrick L. Morse, Sr. Vice President - Governmental Affairs

CANCELLED
July 1, 2014
Missouri Public
Service Commission
JI-2014-0465

FILED
Missouri Public
Service Commission
JI-2013-0585

FACILITIES FOR INTRASTATE ACCESS

RECEIVED

4. SWITCHED ACCESS (Cont'd)

FEB 7 1996

4.6 Rates and Charges

MISSOURI
Public Service Commission

4.6.1 Nonrecurring Charges

(A) (Reserved for Future Use)

(B) Switched Access Service Ordering Charges

	<u>Initial</u>	<u>Subsequent</u>
	<u>Ordering Charge - Switched Access</u>	<u>Ordering Charge - Switched Access</u>
	<u>per ASR</u>	<u>per ASR</u>
	<u>(USOC)</u>	<u>(SESBX)</u>
	<u>(SESCL)</u>	
	\$232.81	\$218.49

(C) Design Change Charge

Per ASR/Per Occurrence

\$49.39

(D) Network Blocking Charge

Applies to FGB, FGC, FGD and SAC Access Service
Per Call

\$.018

(E) (Reserved for Future Use)

(F) (Reserved for Future Use)

FILED
95-163
APR 1 1996

Issued: February 7, 1996

Effective: April 1, 1996

Kenneth Matzdorff
President
Peculiar, Missouri

CANCELED
July 2, 2013
Missouri Public
Service Commission
JI-2013-0585

MISSOURI PUBLIC SERVICE COMMISSION

FACILITIES FOR INTRASTATE ACCESS

4. SWITCHED ACCESS (Cont'd)

4.6 Rate and Charge (Cont'd)

4.6.2 Switched Transport

(A) Entrance Facility

Description and Rates mirror those found in NATIONAL EXCHANGE CARRIER ASSOCIATION TARIFF FCC NO.5 (NECA NO. 5).

(B) Direct-Trunked Transport

Description and Rates mirror those found in NATIONAL EXCHANGE CARRIER ASSOCIATION TARIFF FCC NO.5 (NECA NO. 5).

(C) Tandem-Switched Transport Facility

Rates for each Originating and Terminating Access Minute, per airline mile.

Per Access Minute Per
Airline Mile

Originating - \$.000418 (T)
Terminating - * (C)(T)

(D) Tandem-Switched Transport Termination

Rates for each Originating and Terminating Access Minute, for each termination.

Per Access Minute Per Termination

Originating - \$.002171 (T)
Terminating - * (C)(T)

*The rates, charges and conditions for the provision of intrastate terminating Carrier Access Service are as specified in the NECA Tariff FCC No. 5 as it now exists, and as it may be revised, added to, or supplemented.

(C)
|
(C)

FACILITIES FOR INTRASTATE ACCESS

4. SWITCHED ACCESS (Cont'd)

4.6 Rate and Charge (Cont'd)

4.6.2 Switched Transport

(A) Entrance Facility

Description and Rates mirror those found in NATIONAL EXCHANGE CARRIER ASSOCIATION TARIFF FCC NO.5 (NECA NO. 5).

(B) Direct-Trunked Transport

Description and Rates mirror those found in NATIONAL EXCHANGE CARRIER ASSOCIATION TARIFF FCC NO.5 (NECA NO. 5).

(C) Tandem-Switched Transport Facility

Rates for each Originating and Terminating Access Minute, per airline mile.

Per Access Minute Per
Airline Mile

\$.000418 (R)

(D) Tandem-Switched Transport Termination

Rates for each Originating and Terminating Access Minute, for each termination.

Per Access Minute Per Termination

\$.002171 (R)

(C)

(C)

Issued: May 31, 2013

Effective: July 2, 2013

Patrick L. Morse, Sr. Vice President - Governmental Affairs

CANCELLED
July 1, 2014
Missouri Public
Service Commission
JI-2014-0465

FILED
Missouri Public
Service Commission
JI-2013-0585

FACILITIES FOR INTRASTATE ACCESS

RECEIVED

4. SWITCHED ACCESS (Cont'd)

FEB 7 1996

4.6 Rates and Charges (Cont'd)

MISSOURI
Public Service Commission

4.6.2 Switched Transport

(A) Switched Transport Facility

Rates for each Access Minute, per airline mile.

Premium Rates
Switched Transport Facility
Per Access Minute Per
Airline Mile

\$.00053186

(B) Switched Transport Termination

Rates for each Access Minute, for each termination.

Premium Rates
Switched Transport Termination
Per Access Minute Per
Termination

\$.00491350

FILED
95-163
APR 1 1996

Issued: February 7, 1996

Effective: April 1, 1996

Kenneth Matzdorff
President
Peculiar, Missouri

CANCELED
July 2, 2013
Missouri Public
Service Commission
JI-2013-0585

MO. PUBLIC SERVICE COMMISSION

FACILITIES FOR INTRASTATE ACCESS

4. SWITCHED ACCESS (Cont'd)

4.6 Rate and Charge (Cont'd)

4.6.2 Switched Transport

(E) Tandem Switching

Rate for each Originating and Terminating Access Minute

Originating - \$.005476 (T)
Terminating - * (C)(T)

(F) Interconnection Charge

Rate for each Originating Access Minute

\$.0023537

(G) Customer Premises Port

Description and Rates mirror those found in NATIONAL EXCHANGE CARRIER ASSOCIATION TARIFF FCC NO.5 (NECA NO. 5).

(H) Customer Node

Description and Rates mirror those found in NATIONAL EXCHANGE CARRIER ASSOCIATION TARIFF FCC NO.5 (NECA NO. 5).

(I) Add/Drop Multiplexing

Description and Rates mirror those found in NATIONAL EXCHANGE CARRIER ASSOCIATION TARIFF FCC NO.5 (NECA NO. 5).

*The rates, charges and conditions for the provision of intrastate terminating Carrier Access Service are as specified in the NECA Tariff FCC No. 5 as it now exists, and as it may be revised, added to, or supplemented.

(C)
|
(C)

FACILITIES FOR INTRASTATE ACCESS

4. SWITCHED ACCESS (Cont'd)

4.6 Rate and Charge (Cont'd)

4.6.2 Switched Transport

(E) Tandem Switching

Rate for each Originating and Terminating Access Minute

\$.005476

(F) Interconnection Charge

Rate for each Originating Access Minute

\$.0023537

(G) Customer Premises Port

Description and Rates mirror those found in NATIONAL EXCHANGE CARRIER ASSOCIATION TARIFF FCC NO.5 (NECA NO. 5).

(H) Customer Node

Description and Rates mirror those found in NATIONAL EXCHANGE CARRIER ASSOCIATION TARIFF FCC NO.5 (NECA NO. 5).

(I) Add/Drop Multiplexing

Description and Rates mirror those found in NATIONAL EXCHANGE CARRIER ASSOCIATION TARIFF FCC NO.5 (NECA NO. 5).

(C)

(C)

FACILITIES FOR INTRASTATE ACCESS

4. SWITCHED ACCESS (Cont'd)

4.6 Rate and Charge (Cont'd)

4.6.3 End Office Services

(A)	Basic 800 Data Base Query Charge	Premium 800 Data Base Query Charge
	Rate Per Query \$.01	Rate Per Query \$.01
(B)	(Reserved for Future use)	
(C)	End Office Switching	

The rates for End Office Switching are based on originating and terminating Access Minutes.

<u>End Office Switching 1</u>	<u>End Office Switching 2</u>
<u>Originating</u>	
<u>Per Access Minute</u>	<u>Per Access Minute</u>
\$.02561186	\$.02815218
<u>Terminating</u>	
<u>Per Access Minute</u>	<u>Per Access Minute</u>
* (C)	* (C)

*The rates, charges and conditions for the provision of intrastate terminating Carrier Access Service are as specified in the NECA Tariff FCC No. 5 as it now exists, and as it may be revised, added to, or supplemented.

(C)
|
(C)

FACILITIES FOR INTRASTATE ACCESS

4. SWITCHED ACCESS (Cont'd)

4.6 Rate and Charge (Cont'd)

4.6.3 End Office Services

(A)	Basic 800 Data Base Query Charge	Premium 800 Data Base Query Charge
	Rate Per Query \$.01	Rate Per Query \$.01

(B) (Reserved for Future use)

(C) End office Switching

The rates for End Office Switching are based on originating and terminating Access Minutes.

<u>End Office Switching 1</u>	<u>End Office Switching 2</u>	(C)
<u>Originating</u>		(C)
<u>Per Access Minute</u>	<u>Per Access Minute</u>	
\$.02561186	\$.02815218	
<u>Terminating</u>		(C)
<u>Per Access Minute</u>	<u>Per Access Minute</u>	
\$.04664 (I)	\$.04664 (I)	(C)

FACILITIES FOR INTRASTATE ACCESS

RECEIVED

4. SWITCHED ACCESS (Cont'd)

FEB 7 1996

4.6 Rates and Charges (Cont'd)

MISSOURI
Public Service Commission

4.6.3 End Office Services

(A) Basic 800 Data Base <u>Query Charge</u>	Premium 800 Data Base <u>Query Charge</u>
<u>Rate Per Query</u>	<u>Rate Per Query</u>
\$.01	\$.01

(B) (Reserved for Future Use)

(C) End Office Switching

The rates for End Office Switching are based on originating and terminating Access Minutes.

<u>Premium Rates End Office Switching 1</u>	<u>Premium Rates End Office Switching 2</u>
<u>Per Access Minute</u>	<u>Per Access Minute</u>
\$.02561186	\$.02815218

FILED
95-163
APR 1 1996

Issued: February 7, 1996

Effective: April 1, 1996

Kenneth Matzdorff
President
Peculiar, Missouri

CANCELED
July 2, 2013
Missouri Public
Service Commission
JI-2013-0585

MO. PUBLIC SERVICE COMMISSION

FACILITIES FOR INTRASTATE ACCESS

4. SWITCHED ACCESS (Cont'd)

4.6 Rate and Charge (Cont'd)

4.6.4 Information Surcharge

The rates for information Surcharge are based on originating and terminating Access

Premium Rates
Information Surcharge

Per Access Minute

Originating
\$.00008547

Terminating
* (C)

4.6.5 FGA Usage Sensitive Credit Allowance

Usage sensitive service
Credit Allowance
Credit Per Originating FGA Access Minute #
\$.00048440

4.6.6 (Reserved for Future use)

4.6.7 Assumed Minutes of Use Monthly Surrogate

Per Two Way
Line/Trunk

Per One Way
Line/Trunk

Originating
Only

Terminating
Only

FGA FGB
2451 (1)

FGA FGB
(1) (1)

FGA FGB
(1) (1)

The credit is applied to the End office switching rate element.
(1) These jurisdictions either have all existing services measured or have no customers at this time. In the event an ASR is received for a new customer and there is no measurement capability for the office requested, a traffic study will be made to establish a surrogate and such surrogate will be tariffed.

*The rates, charges and conditions for the provision of intrastate terminating Carrier Access Service are as specified in the NECA Tariff FCC No. 5 as it now exists, and as it may be revised, added to, or supplemented.

(C)
|
(C)

FACILITIES FOR INTRASTATE ACCESS

4. SWITCHED ACCESS (Cont'd)

4.6 Rate and Charge (Cont'd)

4.6.4 Information Surcharge

The rates for information Surcharge are based on originating and terminating Access

Premium Rates
Information Surcharge

Per Access Minute

Originating
\$.00008547

Terminating
\$.000513

(1) (C)

4.6.5 FGA Usage Sensitive Credit Allowance

Usage sensitive service
Credit Allowance
Credit Per Originating FGA Access Minute #
\$.00048440

4.6.6 (Reserved for Future use)

4.6.7 Assumed Minutes of Use Monthly Surrogate

Per Two Way
Line/Trunk

Per One Way
Line/Trunk

Originating
Only

Terminating
Only

FGA FGB
2451 (1)

FGA FGB
(1) (1)

FGA FGB
(1) (1)

The credit is applied to the End office switching rate element.
(1) These jurisdictions either have all existing services measured or have no customers at this time. In the event an ASR is received for a new customer and there is no measurement capability for the office requested, a traffic study will be made to establish a surrogate and such surrogate will be tariffed.

Issued: May 31, 2013

Effective: July 2, 2013

Patrick L. Morse, Sr. Vice President - Governmental Affairs

CANCELLED
July 1, 2014
Missouri Public
Service Commission
JI-2014-0465

FILED
Missouri Public
Service Commission
JI-2013-0585

FACILITIES FOR INTRASTATE ACCESS

RECEIVED

FEB 7 1996

MISSOURI
Public Service Commission

4. SWITCHED ACCESS (Cont'd)

4.6 Rates and Charges (Cont'd)

4.6.4 Information Surcharge

The rates for Information Surcharge are based on originating and terminating Access Minutes

Premium Rates
Information Surcharges

Per Access Minute

\$.00008547

4.6.5 FGA Usage Sensitive Credit Allowance

Usage Sensitive Service
Credit Allowance
Credit Per Originating FGA Access Minute #

\$.00048440

4.6.6 (Reserved for Future Use)

4.6.7 Assumed Minutes of Use Monthly Surrogate

Per Two Way
Line/Trunk

Originating
Only

Per One Way
Line/Trunk

Terminating
Only

FGA FGB

FGA FGB

FGA FGB

2451 (1)

(1) (1)

(1) (1)

* The credit is applied to the End Office Switching rate element.

(1) These jurisdictions either have all existing services measured or have no customers at this time. In the event an ASR is received for a new customer and there is no measurement capability for the office requested, a traffic study will be made to establish a surrogate and such surrogate will be tariffed.

FILED

APR 1 1996
95-163

Issued: February 7, 1996

Effective: April 1, 1996

MO. PUBLIC SERVICE COMMISSION

CANCELED
July 2, 2013
Missouri Public
Service Commission
JI-2013-0585

Kenneth Matzdorff
President
Peculiar, Missouri

FACILITIES FOR INTRASTATE ACCESS

RECEIVED

SECTION 5 TABLE OF CONTENTS

FEB 7 1996
Sheet

5. SPECIAL ACCESS

MISSOURI
Public Service Commission

5.1 General

5.1.1 Rate Elements 159

 (A) (Reserved for Future Use) 159

 (B) Special Transport 160

 (C) Special Access Line (SAL) 161

 (D) (Reserved for Future Use) 162

 (E) Supplemental Features 162

 (F) Multiplexing Arrangements 163

 (G) Special Transport Termination 163

5.1.2 Special Access Configurations 164

5.1.3 Special Facilities Routing 166

5.1.4 Design Layout Report 166

5.1.5 Acceptance Testing 166

5.1.6 Ordering Conditions 167

 (A) Determination of Jurisdiction of Mixed Use Special Access
 Lines 167

 (B) Special Access Jurisdictional Verification 168

5.2 Description of Special Access 169

5.2.1 Voiceband 170

 (A) Two-Wire Voiceband Facility 170

 (B) Four-Wire Voiceband Facility 170

5.2.2 (Reserved for Future Use) 171

5.2.3 Program Audio 171

 (A) 200 to 3500 Hz 171

 (B) 100 to 5000 Hz 171

 (C) 50 to 8000 Hz 171

 (D) 50 to 15000 Hz 171

5.2.4 Videoband 171

5.2.5 Wideband Analog 172

5.2.6 Wideband Data Service 172

5.2.7 High Capacity Digital 172

5.2.8 Digital Data Service 173

5.2.9 (Reserved for Future Use) 173

5.2.10 (Reserved for Future Use) 173

5.3 Description of Terminating Options 174

5.3.1 Narrowband 174

 (A) 0 to 75 Baud Type 1 174

 (B) 0 to 75 Baud Type 2 174

 (C) 0 to 150 Baud 174

FILED
95-163
APR 1 1996

Issued: February 7, 1996

Effective: April 1, 1996

Kenneth Matzdorff
President
Peculiar, Missouri

MO. PUBLIC SERVICE COM

CANCELLED
February 19, 2018
Missouri Public
Service Commission
TN-2018-0198; JI-2018-0088

RECEIVED

FACILITIES FOR INTRASTATE ACCESS

FEB 7 1996

SECTION 5 TABLE OF CONTENTS (Cont'd)

**MISSOURI
Public Service Commission**

5. SPECIAL ACCESS (Cont'd)

5.3 Description of Terminating Options (Cont'd)

5.3.2	Voice Grade	174
	(A) Two-Wire Voice Grade, Non-Data, Without Signaling	174
	(B) Four-Wire Voice Grade, Non-Data, Without Signaling	174
	(C) (Reserved for Future Use)	175
	(D) Two-Wire Voice Grade Station Connecting Facility Termination	175
	(E) Four-Wire Voice Grade Station Connecting Facility Termination	175
	(F) Two-Wire Station Connecting Facility Termination for the Open End of an Off Premises PBX Extension	175
	(G) Dial Repeating Tie Trunk Termination	175
5.3.3	Program Audio	176
	(A) 200 to 3500 Hz	176
	(B) 100 to 5000 Hz, 50 to 8000 Hz, and 50 to 15000 Hz	176
5.3.4	Videoband	176
5.3.5	Wideband Data Service	176
5.3.6	High Capacity Digital	177
	(A) High Capacity Digital DS1	177
	(B) High Capacity Digital DS1C	177
	(C) (Reserved for Future Use)	177
	(D) (Reserved for Future Use)	177
	(E) High Capacity Digital DS3	177
	(F) High Capacity Digital DS3C	177
5.3.7	Digital Data Service (DDS)	177

5.4 Description of Supplemental Features 178

5.4.1	Bridging	178
	(A) MultiPoint Data Bridging	178
	(B) Voice Conference Bridging	179
	(C) Alarm Distribution Bridging	179
	(D) Program Audio Bridging	179
	(E) Dataphone Select-A-Station Bridging	179
	(F) DDS Bridging	179
5.4.2	Conditioning Arrangements - Data	180
	(A) Type C	180
	(B) Type C - Improved	180
	(C) Type DA	181
5.4.3	Conditioning - Program Audio	182
	(A) Stereo Conditioning	182
	(B) Zero Loss	182
5.4.4	Signaling Arrangements	182
5.4.5	Echo Control	183
	(A) Echo Suppression	183
	(B) Echo Canceller	184
5.4.6	Improved Return Loss	184
5.4.7	Voiceband Facility Switching Arrangement	184
5.4.8	Automatic Protection Switch	184
5.4.9	Improved Termination Option	184
5.4.10	Improved Equal Level Echo Path Loss Option - ELEPL-2	185

FILED
9 5 - 1 6 3
APR 1 1996

Issued: February 7, 1996

Effective: April 1, 1996

Kenneth Matzdorff
President
Peculiar, Missouri

MO. PUBLIC SERVICE COMM

CANCELLED
February 19, 2018
Missouri Public
Service Commission
TN-2018-0198; JI-2018-0088

FACILITIES FOR INTRASTATE ACCESS

FEB 7 1996

SECTION 5 TABLE OF CONTENTS (Cont'd)

MISSOURI
Public Service Commission

5. SPECIAL ACCESS (Cont'd)

5.5	<u>Description of Multiplexing Arrangements</u>	186
	(A) Voice to Narrowband	186
	(B) Group to Voice	186
	(C) Supergroup to Group	186
	(D) Mastergroup to Supergroup	186
	(E) DS1 to Voice	186
	(F) DS1C to Voice	187
	(G) DS1C to DS1	187
	(H) (Reserved for Future Use)	187
	(I) DS3 to DS1	187
	(J) DS3C to DS1	187
	(K) Group to DS1	187
	(L) Digital Data Carrier Multiplexer	187
	(M) Digital Data Subrate Multiplexer	187
5.6	<u>Rate Regulations</u>	188
5.6.1	<u>Types of Rates and Charges</u>	188
	(A) Monthly Rates	188
	(B) Daily Rates	188
	(C) Time Sensitive Rates	188
	(D) Nonrecurring Charges	189
	(1) Special Access Ordering Charges	189
	(a) Initial Ordering Charge - Special Access	189
	(b) Subsequent Ordering Charge - Special Access	189
	(2) Service Installation Charge	189
	(3) Design Change Charge	190
	(4) Installation of Supplemental Features and Multiplexing Arrangements	190
	(5) Installation of DS1 Special Access Lines	190
	(6) Installation of Temporary Videoband Service	191
	(7) (Reserved for Future Use)	192
	(8) Service Rearrangements	192
5.6.2	Minimum Periods	198
5.6.3	Mileage Measurement	198
5.6.4	Moves	198
	(A) Same CDL	198
	(B) Different CDL	198
5.6.5	Rates and Charges on an Individual Case Basis	199
5.6.6	Hub Wire Centers	200
5.6.7	Shared Use Analog and Digital High Capacity Services	201
5.6.8	(Reserved for Future Use)	201

FILED
95-163
APR 1 1996

Issued: February 7, 1996

Effective: April 1, 1996

Kenneth Matzdorff
President
Peculiar, Missouri

MO. PUBLIC SERVICE COMM

CANCELLED
February 19, 2018
Missouri Public
Service Commission
TN-2018-0198; JI-2018-0088

FACILITIES FOR INTRASTATE ACCESS

RECEIVED

SECTION 5 TABLE OF CONTENTS (Cont'd)

FEB 7 1996

5. SPECIAL ACCESS (Cont'd)

MISSOURI
Public Service Commission

5.6 Rate Regulations (Cont'd)

5.6.9	Special Access Surcharge	202
5.6.10	Message Station Equipment Recovery Charge	203
5.6.11	(Reserved for Future Use)	203
5.6.12	(Reserved for Future Use)	203
5.6.13	(Reserved for Future Use)	203
5.6.14	(Reserved for Future Use)	203
5.6.15	(Reserved for Future Use)	203
5.6.16	MetroLAN Special Transport	204

5.7 Rates and Charges 205

5.7.1	Nonrecurring Charges	205
5.7.2	Voiceband Facilities	206
	(A) Standard Arrangements	206
	(B) Optional Arrangements	206

FILED
95-163
APR 1 1996

Issued: February 7, 1996

Effective: April 1, 1996

MISSOURI PUBLIC SERVICE COMMISSION

Kenneth Matzdorff
President
Peculiar, Missouri

CANCELLED
February 19, 2018
Missouri Public
Service Commission
TN-2018-0198; JI-2018-0088

RECEIVED

FACILITIES FOR INTRASTATE ACCESS

FEB 7 1995

SECTION 5 TABLE OF CONTENTS (Cont'd)

MISSOURI
Public Service Commission
Sheet

5. SPECIAL ACCESS (Cont'd)

5.7 Rates and Charges (Cont'd)

5.7.3	Program Audio Facilities	212
	(A) Standard Arrangements 200-3500 Hz	212
	(B) Standard Arrangements 100-5000 Hz	212
	(C) Standard Arrangements 50-8000 Hz	213
	(D) Standard Arrangements 50-15000 Hz	213
	(E) Optional Arrangements (50-15000 Hz Facilities Only)	214
	(F) Optional Arrangements (All Bandwidths)	214
5.7.4	Video Facilities	215
5.7.5	Digital Data Service Facilities	216
	(A) Standard Arrangements	216
	(B) Optional Arrangements	217
5.7.6	Multiplexing Arrangements	218
5.7.7	High Capacity Digital DS-1 (1.544 Mbps) Facilities	220
	(A) Standard Arrangements	220
	(B) Optional Arrangements	220
5.8	(Reserved for Future Use)	222
5.9	<u>Individual Case Basis Rates and Charges</u>	222

FILED
95-163
APR 1 1995

Issued: February 7, 1996

Effective: April 1, 1996

MISSOURI PUBLIC SERVICE COMMISSION

Kenneth Matzdorff
President
Peculiar, Missouri

CANCELLED
February 19, 2018
Missouri Public
Service Commission
TN-2018-0198; JI-2018-0088

FACILITIES FOR INTRASTATE ACCESS

RECEIVED

FEB 7 1996

5. SPECIAL ACCESS

5.1 General

**MISSOURI
Public Service Commission**

Special Access provides a transmission path to connect CDLs* within a LATA for intrastate Telecommunications. Special Access provided to a customer may be connected directly to customer facilities, through Telephone Company Hub Wire Centers where bridging or multiplexing functions are performed, and/or may be connected to access facilities of another telephone company or companies in the joint provision of Special Access Service as well as may be connected to Switched Access as set forth in Section 4.

The provision of Switched Access and Special Access in combination is normally for, but not limited to, the use of WATS or WATS-type Access. When Special Access is connected to Switched Access, the terms, conditions and rates for the facilities between the end user's CDL and the WATS Serving Office are as set forth in this section of the tariff; the terms, conditions and rates for the facilities between the WATS Serving Office and the IC's CDL, as well as the switching functionalities (e.g., end user access codes, screening) are as set forth in Section 4 of this tariff.

Special Access can be provided in either analog or digital format. Analog formats are differentiated by spectrum and bandwidth. Digital formats are differentiated by bit rate. The specific types of Special Access (e.g., Voiceband, Digital Data Service) provided are described in 5.2.

5.1.1 Rate Elements

With the exception of Temporary Videoband Service, there are five basic rate elements which apply to Special Access Service:

- Special Transport (described in 5.1.1(B) following)
- Special Transport Termination (described in 5.1.1(G) following)
- Special Access Line (described in 5.1.1(C) following)
- Supplemental Features (described in 5.4 following)
- Multiplexing Arrangements (described in 5.5 following)

(A) (Reserved for Future Use)

* Telephone Company Centrex CO-like switches are considered to be CDLs for the purposes of this tariff.

FILED
9 5 - 163
APR 1 1996

Issued: February 7, 1996

Effective: April 1, 1996

Kenneth Matsdorff
President
Peculiar, Missouri

NO. PUBLIC SERVICE COMM

CANCELLED
February 19, 2018
Missouri Public
Service Commission
TN-2018-0198; JI-2018-0088

FACILITIES FOR INTRASTATE ACCESS

RECEIVED

5. SPECIAL ACCESS (Cont'd)

FEB 7 1996

5.1 General (Cont'd)

**MISSOURI
Public Service Commission**

5.1.1 Rate Elements (Cont'd)

(B) Special Transport

- (1) The Special Transport rate element provides for the transmission facilities between the serving wire centers associated with two CDLs, between a serving wire center associated with an end user's CDL and a WATS Serving Office, between a serving wire center associated with a CDL and a Telephone Company Hub Wire Center or between two Telephone Company Hub Wire Centers.

The Special Transport element is distance sensitive, except for MetroLAN, and varies with type of capability (i.e., analog or digital) and type of facility (e.g., Voiceband, Digital Data Service, etc.). Special Transport may be provided by more than one telephone company. The method of calculating applicable airline miles for rating purposes for Special Access is specified in 2.7.

MetroLAN Transport provides flat rate non-distance sensitive transport for DS1 bandwidth on fiber optic facilities. The rate element associated with MetroLAN is a monthly recurring charge as set forth in 5.7.7(B).

- (2) Special Transport may be used in conjunction with Switched Access for the purpose of provisioning Originating Only, Terminating Only or Combined Originating/Terminating Access as set forth in 4.2.5(V). Special Transport employed in this manner provides the FIA for the closed-end of the services between the wire center serving the end user's CDL where WATS Serving Office functions are not available and the WATS Serving Office.

When the necessary WATS Serving Office functions are not provided at the wire center which serves the end user's CDL, the Telephone Company will designate the wire center where the WATS Serving Office functions are available.

FILED
95-163
APR 1 1996

Issued: February 7, 1996

Effective: April 1, 1996

Kenneth Matzdorff
President
Peculiar, Missouri

MO. PUBLIC SERVICE COMM

CANCELLED
February 19, 2018
Missouri Public
Service Commission
TN-2018-0198; JI-2018-0088

FACILITIES FOR INTRASTATE ACCESS

RECEIVED

FEB 7 1996

**MISSOURI
Public Service Commission**

5. SPECIAL ACCESS (Cont'd)

5.1 General (Cont'd)

5.1.1 Rate Elements (Cont'd)

(C) Special Access Line (SAL)

- (1) A Special Access Line provides the transmission facilities to a Customer Designated Location (CDL) or the facilities between a CDL and the serving wire center. This rate element varies by type of capability (i.e., analog or digital) and type of facility (e.g., Voiceband, Digital Data Service, etc.).

The selection of a Terminating Option, as defined in 5.3, is required for terminating the network portion of a Special Access Line at a CDL. Terminating Options provide a clearly delineated interface which facilitates the design, isolation, and testing of the Special Access.

One Special Access Line charge applies per CDL at which the facility is terminated. This charge applies even if the facilities to the CDL do not transit a serving wire center; this charge also applies if the CDL and the serving wire center are co-located in a Telephone Company building. The Special Access Line charge used with a Switching Interface, as set forth in (2) below, is applicable only for the transmission facilities between the end user's CDL and the serving wire center of that location.

- (2) A Special Access Line may be provided in conjunction with FGA, FGB, FGC and FGD Switched Access Service for the purpose of Originating Only, Terminating Only or Combined Originating and Terminating Access as set forth in 4.2.1. A Switching Interface is required for the provision of this service as set forth in 4.2.5(V). The Special Access Line provides the closed-end of the dedicated facilities between an end user's CDL and its serving wire center. This serving wire center may or may not be a WATS Serving Office. In those instances when the serving wire center is not a WATS Serving Office Special Transport is applicable as set forth in 5.1.1(B) to the nearest Telephone Company WATS Serving Office.

The Switched Access used in conjunction with the Special Access Line provides various standard switching functionalities and optional arrangements as set forth in Section 4.2.5(V).

FILED
95-163
APR 1 1996

Issued: February 7, 1996

Effective: April 1, 1996

Kenneth Matzdorff
President
Peculiar, Missouri

MO. PUBLIC SERVICE COMM

CANCELLED
February 19, 2018
Missouri Public
Service Commission
TN-2018-0198; JI-2018-0088

FACILITIES FOR INTRASTATE ACCESS

RECEIVED

FEB 7 1996

**MISSOURI
Public Service Commission**

5. SPECIAL ACCESS (Cont'd)

5.1 General (Cont'd)

5.1.1 Rate Elements (Cont'd)

(C) Special Access Line (SAL) (Cont'd)

(2) All Special Access Lines used with a Switching Interface are:

- provided with dial pulse address signaling or Dual Tone Multifrequency (DTMF) address signaling and either loop start or ground start supervisory signaling. The type of signaling is the option of the customer.
- available as either a two-wire or four-wire Voiceband Special Access Service (i.e., 300-3000 Hz bandwidth). Each transmission path is provided at the option of the customer with transmission specifications as described in Section 7000 of the GTE Technical Interface Reference Manual.

All rules and regulations pertaining to Special Access are applicable to Special Access Lines used with a Switching Interface. Rates and Charges are found in 5.7.5 for two-wire and four-wire Voiceband Special Access Lines.

A customer may also order high capacity facilities from an end user's CDL to a Telephone Company Hub for the purpose of originating or terminating Special Access Lines used with a Switching Interface. High capacity to voice multiplexing will be required at the Hub. The customer will be required to submit an ASR for the high capacity facility and voice multiplexing. The customer will also be required to submit an ASR(s) for the individual Voiceband SALs specifying the channel facility assignment (CFA) for each service. This Hub may or may not be a WATS Serving Office. In those instances when the Hub is not a WATS Serving Office, Voiceband Special Transport is applicable as set forth in 5.1.1(B), for each individual Special Access Line used with a Switching Interface to the Telephone Company designated WATS Serving Office.

(D) (Reserved for Future Use)

(E) Supplemental Features

Supplemental Features may be added to a Special Access circuit to improve its quality or utility to meet specific communications requirements. These are not necessarily identifiable with specific facilities, but rather represent the end result in terms of performance characteristics which may be obtained. These characteristics may be obtained by using various combinations of facilities. Although the facilities necessary to perform a specified function may be installed at various locations along the path of the Special Access circuit, including the CDL, it will be provided for as a single rate element.

Examples of Supplemental Features that are available include, but are not limited to, bridging and conditioning. Each Supplemental Feature is described in 5.4, and rates are set forth in 5.7.

FILED
9 5 - 1 6 3
APR 1 1996

Issued: February 7, 1996

Effective: April 1, 1996

Kenneth Matzdorff
President
Peculiar, Missouri

MO. PUBLIC SERVICE COM

CANCELLED
February 19, 2018
Missouri Public
Service Commission
TN-2018-0198; JI-2018-0088

FACILITIES FOR INTRASTATE ACCESS

RECEIVED

5. SPECIAL ACCESS (Cont'd)

FEB 7 1996

5.1 General (Cont'd)

MISSOURI
Public Service Commission

5.1.1 Rate Elements (Cont'd)

(F) Multiplexing Arrangements

Multiplexing provides for arrangements to convert a single higher capacity or bandwidth circuit for bulk transport to several lower capacity or bandwidth circuits. Multiplexing is only available at a Telephone Company designated Hub Wire Center arranged for multiplexing. All types of multiplexing may not be available at each Hub Wire Center. Refer to Section 5.6.6 for a description of Hub Wire Center. Descriptions for each type of multiplexing arrangements are provided in 5.5 following, and rates are set forth in 5.7 following.

(G) Special Transport Termination

The Special Transport Termination rate element as set forth in 5.7, applies to selected Special Access Service offerings, except for MetroLAN Special Transport Service, and is in addition to the Special Transport rate element. Special Transport Termination provides the equipment and arrangements necessary to terminate the Special Transport facility at a serving wire center.

For CASS COUNTY TELEPHONE exchanges the Special Transport Termination rate is applied only once per Special Transport facility and is also applied when two or more Customer Designated Locations (CDLs) are served by a common wire center (i.e., mileage is zero). The Special Transport Termination charge is applied in full whether the Telephone Company provides one or more than one Special Transport facility termination. The Special Transport Termination rate does not apply when the Telephone Company provides only an intermediate portion of a Special Transport facility and no Special Transport facility terminations. When Special Access is used in conjunction with Switched Access where the customer's end user premises for the Special Access facility is served by a Telephone Company WATS Serving Office, the Special Transport Termination rate does not apply.

FILED
95-163
APR 1 1996

Issued: February 7, 1996

Effective: April 1, 1996

Kenneth Matzdorff
President
Peculiar, Missouri

MO. PUBLIC SERVICE COMMISSION

FACILITIES FOR INTRASTATE ACCESS

RECEIVED

FEB 7 1996

MISSOURI
Public Service Commission

5. SPECIAL ACCESS (Cont'd)

5.1 General (Cont'd)

5.1.2 Special Access Configurations

There are two types of facility configurations over which Special Access Services are provided - two-point and multipoint.

(A) Two-point Service

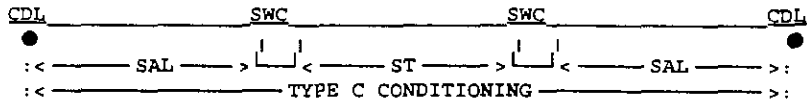
A two-point configuration is a circuit which is provided to connect two CDLs, either directly connected or through a Hub Wire Center where multiplexing functions are performed, or a CDL and a WATS Serving Office.

All Special Access offerings may be provided as a two-point configuration.

With the exception of Temporary Videoband Service, applicable rate elements are:

- Special Access Lines
- Special Transport (when applicable)
- Special Transport Termination (when applicable)
- Supplemental Features (when applicable)
- Multiplexing Arrangements (when applicable)

The following diagram depicts a typical two-point service connecting two CDLs. The service is provided with the supplemental feature of Type C Conditioning:



- SAL - Special Access Line
- ST - Special Transport
- SWC - Serving Wire Center
- CDL - Customer Designated Location

Applicable rate elements are:

- Special Access Line (2 applicable)
- Special Transport (per airline mile between SWCs)
- Supplemental Feature of Type C Conditioning (2 applicable)

In addition, a Special Access Surcharge, as set forth in 5.6.9 following, and a Message Station Equipment Recovery Charge, as set forth in 5.6.10 following may be applicable.

FILED
95-163
APR 1 1996

Issued: February 7, 1996

Effective: April 1, 1996

Kenneth Matzdorff
President
Peculiar, Missouri

MISSOURI PUBLIC SERVICE COMMISSION

CANCELLED
February 19, 2018
Missouri Public
Service Commission
TN-2018-0198; JI-2018-0088

FACILITIES FOR INTRASTATE ACCESS

RECEIVED

5. SPECIAL ACCESS (Cont'd)

5.1 General (Cont'd)

5.1.2 Special Access Configurations (Cont'd)

(B) Multipoint Service

FEB 7 1996

MISSOURI
Public Service Commission

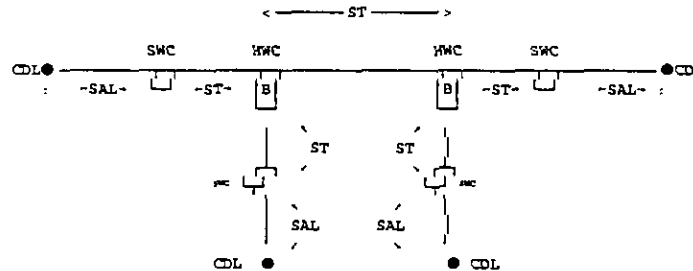
A multipoint configuration is a circuit that is provided to connect three or more CDLs through a Telephone Company Hub Wire Center.

Only Voiceband, Program Audio, Digital Data Service facilities, and Miscellaneous Services where so designated, will be provided as multipoint configurations. There is no limitation on the number of mid-links, but the use of more than three mid-links in tandem may degrade the quality of the multipoint facilities. A mid-link is defined as the Special Transport facilities between Hub Wire Centers where the circuit is bridged and/or where circuit switching devices, such as loop transfer arrangement, are located.

Multipoint service is provided in the following manner:

- (1) Special Access Line per CDL to their respective serving wire centers.
- (2) Special Transport between serving wire centers associated with the CDLs and the Hub Wire Center.
- (3) Special Transport between Hub Wire Centers.
- (4) Supplemental Features: Bridging equipment for each bridging location and other Supplemental Features when applicable.
- (5) (Reserved for Future Use)
- (6) Multiplexing Arrangements when applicable.

The following diagram depicts a multipoint service connecting four CDLs via two customer specified Hub Wire Centers:



SAL - Special Access Line
 ST - Special Transport
 SWC - Serving Wire Center
 CDL - Customer Designated Location
 HWC - Hub Wire Center
 B - Bridging

FILED
95-163
APR 1 1996

Issued: February 7, 1996

Effective: April 1, 1996

Kenneth Matzdorff
President
Peculiar, Missouri

MISSOURI PUBLIC SERVICE COMMISSION

CANCELLED
February 19, 2018
Missouri Public
Service Commission
TN-2018-0198; JI-2018-0088

FACILITIES FOR INTRASTATE ACCESS

RECEIVED

FEB 7 1996

MISSOURI
Public Service Commission

5. SPECIAL ACCESS (Cont'd)

5.1 General (Cont'd)

5.1.2 Special Access Configurations (Cont'd)

(B) Multipoint Service (Cont'd)

Applicable rate elements are:

- Special Access Lines (4 applicable)
- Special Transport (5 segments, per airline between SWCs and HWCs)
- Bridging (6 applicable, one per bridge port)

In addition, the Special Access Surcharge, as set forth in 5.6.9 following, and the Message Station Equipment Recovery Charge, as set forth in 5.6.10 may be applicable.

5.1.3 Special Facilities Routing

A customer may request that the facilities used to provide Special Access Service be specially routed. The regulations, rates and charges for Special Facilities Routing (i.e., Avoidance, Diversity and Cable-Only) are as set forth in Section 9 following.

5.1.4 Design Layout Report

The Telephone Company will provide to the customer the makeup of the Special Access provided under this tariff to aid the customer in designing its overall service. This information will be provided in the form of a Design Layout Report and will include the following:

- Cable gauge, length and loading.
- Makeup (e.g., T-Carrier, two-wire, four-wire, etc.).
- Specific pair of circuit assignment at the customer designated location.

The Design Layout Report will be provided to the customer within fourteen working days from the ASR Date. Updated reports will be reissued within fourteen working days whenever facilities provided to the customer are materially changed. Both the initial and updated Design Layout Reports will be provided to the customer at no charge.

5.1.5 Acceptance Testing

At the time of installation, the following test parameters apply:

- (A) For Voiceband services, acceptance testing will include tests for loss, 3-tone slope, DC continuity, operational signaling, C-notched noise, and C-message noise.

When the Interface Arrangement provides a four-wire voice transmission facility and the point of termination provides two-wire voice transmission (i.e., there is a four-wire to two-wire conversion at the point of termination) balance tests are also included in acceptance testing. When performing installation and acceptance testing, the Telephone Company will test the access service within the LATA.

On four-wire and effective four-wire circuits where the Network Channel Terminating Equipment (NCTE) has the capability of being remotely aligned, the Telephone Company may perform acceptance testing without a Telephone Company technician at the customer's premise. Should the customer request a technician be present at the customer's premise, additional charges will apply as set forth in Section 6.2(C). The applicable rates are in Section 6.2(G).

FILED
95-163
APR 1 1996

Issued: February 7, 1996

Effective: April 1, 1996

Kenneth Matzdorff
President
Peculiar, Missouri

MISSOURI PUBLIC SERVICE COMMISSION

CANCELLED
February 19, 2018
Missouri Public
Service Commission
TN-2018-0198; JI-2018-0088

FACILITIES FOR INTRASTATE ACCESS

RECEIVED

5. SPECIAL ACCESS (Cont'd)

FEB 7 1996

5.1 General (Cont'd)

MISSOURI
Public Service Commission

5.1.5 Acceptance Testing (Cont'd)

(A) (Cont'd)

If the NCTE at the customer's premise does not have the capability of being aligned remotely, the additional charges will not apply. The Telephone Company will determine the type of NCTE placed at a customer's premise.

(B) For other analog services (i.e., Program Audio, Video, Wideband Analog and Wideband Data Services) and for digital services (i.e., Digital Data Services and High Capacity Digital Services), acceptance testing will include tests for the parameters applicable to the service as set forth in Section 7000 of the GTE Technical Interface Reference Manual for each of these services.

When the customer requests the performance of additional cooperative tests which are not required to meet these specified performance parameters, charges as set forth in 6.6 (B) following will apply. All test results will be made available to the customer upon request.

If acceptance tests are not started within 15 minutes after pre-service tests have been completed and the customer has been notified by the Telephone Company, additional charges may apply, as set forth in 6.2 following, unless the delay is caused by the Telephone Company.

5.1.6 Ordering Conditions

Ordering conditions are set forth in detail in Section 3 preceding. Also included in that section, are other charges which may be associated with ordering Special Access (e.g., Service Date Change Charges, Cancellation Charges, etc.).

(A) Determination of Jurisdiction of Mixed Use Special Access Lines

When mixed interstate and intrastate Special Access Service is ordered, the jurisdiction will be determined as follows:

1. If the customer's estimate of the interstate traffic on the physically intrastate line involved constitutes 10% or less of the total traffic on that line, the line will be ordered and provided in accordance with the applicable rules and regulations of this tariff.
2. If the customer's estimate of the interstate traffic on the physically intrastate line involved constitutes more than 10% of the total traffic on that line, the line will be ordered and provided in accordance with the applicable rules and regulations of the interstate tariff.

FILED
95-163
APR 1 1996

Issued: February 7, 1996

Effective: April 1, 1996

Kenneth Matzdorff
President
Peculiar, Missouri

MISSOURI PUBLIC SERVICE COMMISSION

CANCELLED
February 19, 2018
Missouri Public
Service Commission
TN-2018-0198; JI-2018-0088

FACILITIES FOR INTRASTATE ACCESS

RECEIVED

5. SPECIAL ACCESS (Cont'd)

FEB 7 1996

5.1 General (Cont'd)

MISSOURI
Public Service Commission

5.1.6 Ordering Conditions (Cont'd)

(B) Special Access Jurisdictional Verification

If a billing dispute arises or a regulatory commission questions the customer's certification of the jurisdiction of the line the Telephone Company will ask the customer to provide the data used to determine the jurisdiction. The customer shall supply the data within 30 days of the Telephone Company's request. The customer shall keep records of system design and functions from which the jurisdiction can be ascertained and upon request of the Telephone Company make the records available for inspection as reasonably necessary for purposes of verification of the jurisdiction of the service.

FILED
95-163
APR 1 1996

Issued: February 7, 1996

Effective: April 1, 1996

Kenneth Matsdorff
President
Peculiar, Missouri

NOT RECORDED

CANCELLED
February 19, 2018
Missouri Public
Service Commission
TN-2018-0198; JI-2018-0088

FACILITIES FOR INTRASTATE ACCESS

RECEIVED

5. SPECIAL ACCESS (Cont'd)

5.2 Description of Special Access

FEB 7 1996

There are seven generic types of Special Access offerings. They are:

MISSOURI
Public Service Commission

- Voiceband
- Program Audio
- Videoband
- Wideband Analog
- Wideband Data *
- High Capacity Digital
- Digital Data Service

Each type has its own characteristics, and are subdivided by one or more of the following:

- Transmission specifications
- Bandwidth
- Speed (i.e., bit rate)
- Spectrum

The Special Access offerings described below are comprised of a combination of the rate elements described in 5.1.1. The following descriptions indicate the most effective use for each facility. Customer use for purposes other than those indicated is limited only to the extent that such use must not harm the network. Further, the Telephone Company does not guarantee transmission performance beyond the parameters identified in the descriptions.

The Telephone Company will maintain existing transmission specifications on services installed prior to the effective date of this tariff, except that existing services with performance specifications exceeding the standards will be maintained at that performance level.

The customer also has the option of ordering Voiceband and analog and digital high capacity facilities to a Telephone Company Hub for multiplexing to individual channels of a lower capacity or bandwidth. Descriptions of the types of multiplexing available at the Hubs, as well as the number of individual channels which may be derived from each type of facility, are set forth in 5.5. Additionally, the customer may specify supplemental features for the individual channels derived from the facility to further tailor the channel to meet specific communications requirements. Descriptions of the supplemental features available are set forth in 5.4.

For example, a customer may order a DS3 from a CDL to a Telephone Company Hub for multiplexing to 28 DS1 channels. The DS1 channels may be further multiplexed at the same or a different Hub to Voiceband channels or may be extended to other CDLs. Optional features may be added to either the DS1 or the Voiceband channels.

* Limited to those offerings for existing circuits at existing locations.

Issued: February 7, 1996

FILED
95-163
APR 1 1996
Effective: April 1, 1996

Kenneth Matzdorff
President
Peculiar, Missouri

MISSOURI PUBLIC SERVICE COMMISSION

FACILITIES FOR INTRASTATE ACCESS

RECEIVED

5. SPECIAL ACCESS (Cont'd)

FEB 7 1996

5.2 Description of Special Access (Cont'd)

5.2.1 Voiceband

MISSOURI
Public Service Commission

(A) Two-Wire Voiceband Facility (USOC - XDM++, XDN++, XDV++)

These facilities are unconditioned and are capable of transmitting voice or data signals within the frequency spectrum of approximately 300 Hz to 3000 Hz. These facilities are furnished on a two-point or multipoint basis and may be terminated two-wire or four-wire at the point of termination. They permit the simultaneous transmission of information in both directions over a circuit, but it is not possible to ensure independent information transmission in both directions. Supplemental features may be added, at applicable charges, to enhance the operational capabilities of these facilities.

(B) Four-Wire Voiceband Facility (USOC - XDN++, XDV++)

These facilities are unconditioned and are capable of transmitting voice or data signals within the frequency spectrum of approximately 300 Hz to 3000 Hz. The facilities are furnished on a two-point or multipoint basis and may be terminated two-wire or four-wire at the point of termination. When terminated four-wire, they permit simultaneous independent transmission of information in both directions over a circuit. However, when terminated two-wire, simultaneous independent transmission cannot be supported. Supplemental features may be added, at applicable charges, to enhance the operational capabilities of these facilities.

FILED
95-163
APR 1 1996

Issued: February 7, 1996

Effective: April 1, 1996

Kenneth Matzdorff
President
Peculiar, Missouri

MISSOURI PUBLIC SERVICE COMMISSION

CANCELLED
February 19, 2018
Missouri Public
Service Commission
TN-2018-0198; JI-2018-0088

FACILITIES FOR INTRASTATE ACCESS

RECEIVED

5. SPECIAL ACCESS (Cont'd)

FEB 7 1996

5.2 Description of Special Access (Cont'd)

MISSOURI
Public Service Commission

5.2.2 (Reserved for Future Use)

5.2.3 Program Audio

These facilities are arranged and provided for the transmission of non-broadcast audio to be broadcast or which is to be used in connection with loudspeakers, wired music, closed circuit or recordings. Facilities to be used in conjunction with broadcast audio must be ordered from the appropriate interstate tariff. Audio facilities are furnished for transmission in one direction. Audio facilities may be provided on a two-point or multipoint basis.

Program audio facilities are provided on either a full-time or part-time basis. The minimum periods for full-time and part-time service are set forth in Section 3.2.4. When a part-time program audio service is provided for ten or more consecutive days, it will be treated as a full-time service and rated accordingly. In no event will the charge for continuous part-time program audio exceed the amount that would have been charged in the same time period for full-time program audio facilities.

Listed below are the types of Program Audio facilities that are offered under this tariff.

(A) 200 to 3500 Hz (USOC - XDP1D; XDP1M)

Facilities are generally acceptable for speech quality programming and are subject to use over limited distance due to transmission factors.

(B) 100 to 5000 Hz (USOC - XDP2D; XDP2M)

Facilities are generally acceptable for music and provide good quality speech programming.

(C) 50 to 8000 Hz (USOC - XDP3D; XDP3M)

Facilities for the provision of high fidelity music transmission.

(D) 50 to 15000 Hz (USOC - XDP4D; XDP4M)

Facilities for the provision of high fidelity music transmission. Two such facilities may be conditioned, at applicable charges, for stereo operation.

5.2.4 Videoband (USOC - XDT1D; XDT1M)

These facilities are arranged and provided for the transmission of television which is to be used other than for broadcast purposes in connection with viewing or recording. Facilities to be used in connection with broadcast video services must be ordered from the appropriate interstate tariff.

FILED
95-163
APR 1 1996

Issued: February 7, 1996

Effective: April 1, 1996

Kenneth Matzdorff
President
Peculiar, Missouri

MISSOURI PUBLIC SERVICE COMMISSION

CANCELLED
February 19, 2018
Missouri Public
Service Commission
TN-2018-0198; JI-2018-0088

FACILITIES FOR INTRASTATE ACCESS

RECEIVED

FEB 7 1996

MISSOURI
Public Service Commission

5. SPECIAL ACCESS (Cont'd)

5.2 Description of Special Access (Cont'd)

5.2.5 Wideband Analog (USOC - XDW++)

These facilities are two-point and are furnished between CDLs or between a CDL and a Telephone Company designated Hub Wire Center where multiplexing is offered. The three types of Wideband Analog facilities are:

- (A) Group band facilities with a bandwidth from 60 kHz to 108 kHz for the transmission of a 12 circuit frequency division multiplexer (FDM) group.
- (B) Supergroup band facilities with a bandwidth from 312 kHz to 552 kHz for the transmission of a 60 circuit FDM supergroup.
- (C) Mastergroup band facilities with a bandwidth from 564 kHz to 3084 kHz for the transmission of a 600 circuit FDM mastergroup.

5.2.6 Wideband Data Service (USOC - XDL++) *

These analog facilities are arranged and furnished for two-point simultaneous two-way transmission of high speed data between two CDLs. These facilities are normally utilized for the following data speeds: 19.2 Kbps, 50 Kbps, 56 Kbps and 230.4 Kbps.

5.2.7 High Capacity Digital (USOC - XDH++)

These facilities are two-point and are furnished between CDLs or between a CDL and a Telephone Company designated Hub Wire Center where multiplexing is offered. High Capacity facilities may be used to provide Special Access Lines as set forth in 5.1.1(C)(2). A High Capacity to Voice multiplexing arrangement, as described in Section 5.5, is required at the Hub Wire Center.

- (A) DS1 facilities provide for the transmission of isochronous bipolar serial data at a rate of 1.544 Mbps.
- (B) DS1C facilities provide for the transmission of isochronous bipolar serial data at a rate of 3.152 Mbps.
- (C) (Reserved for Future Use)

* Limited to existing customers at existing locations.

FILED
95-163
APR 1 1996

Issued: February 7, 1996

Effective: April 1, 1996

RECEIVED

FACILITIES FOR INTRASTATE ACCESS

FEB 7 1996

MISSOURI
Public Service Commission

5. SPECIAL ACCESS (Cont'd)

5.2 Description of Special Access (Cont'd)

5.2.7 High Capacity Digital (USOC - XDH++) (Cont'd)

(D) (Reserved for Future Use)

(E) DS3 facilities provide for the transmission of isochronous bipolar serial data at a rate of 44.736 Mbps. The Telephone Company will provide an electrical interface with the service unless otherwise specified by the customer.

(F) DS3C facilities provide for the transmission of isochronous bipolar serial data at a rate of 89.472 Mbps. The Telephone Company will provide an optical interface with this service unless the service is provided via microwave, in which case an electro-magnetic interface is provided, or unless the customer requests an electrical interface.

5.2.8 Digital Data Service (USOC - XDD++)

Facilities for Digital Data Service are furnished for the simultaneous two-way transmission of synchronous data and are available at transmission speeds of: 2.4 Kbps, 4.8 Kbps, 9.6 Kbps or 56 Kbps. Digital Data facilities may be provided on a two-point or multipoint basis.

5.2.9 (Reserved for Future Use)

5.2.10 (Reserved for Future Use)

FILED

95 - 163
APR 1 1996

Issued: February 7, 1996

Effective: April 1, 1996

Kenneth Matzdorff
President
Peculiar, Missouri

MISSOURI PUBLIC SERVICE COMMISSION

CANCELLED
February 19, 2018
Missouri Public
Service Commission
TN-2018-0198; JI-2018-0088

FACILITIES FOR INTRASTATE ACCESS

RECEIVED

FEB 7 1996

5. SPECIAL ACCESS (Cont'd)

5.3 Description of Terminating Options

Terminating Options provide a clearly delineated interface between Telephone Company and customer facilities at the point of termination at the CDL. Terminating Options provide the means for installation, isolation, and testing of the Special Access. The description of each Terminating Option defines the most effective use of the Terminating Option. The technical parameters of each type of associated interface are set forth in Section 7000 of the Cass Technical Interface Reference Manual. Although a customer is not restricted from alternate applications, except where such application is harmful to the network, the Telephone Company cannot guarantee technical performance for other than the applications stated below. Terminating Options are nonchargeable.

MISSOURI
PUBLIC SERVICE COMMISSION

5.3.1 Narrowband

(A) 0 to 75 Baud Type 1

Provides standard open/closed 20 or 62 Ma energized interface to customer terminal equipment and converts customer terminal equipment signals to voice frequency signaling for transmission over two-wire or four-wire voiceband network facilities suitable for voice grade to narrowband multiplexing. This terminating option is obsolete and is limited to those circuits so equipped and in service for existing customers at existing locations.

(B) 0 to 75 Baud Type 2

Provides two-wire or four-wire metallic interface for customer or Telephone Company energized circuits. Telephone Company energized circuits are only available in conjunction with voice grade to narrowband multiplexing. This option does not guarantee dc current operation over special transport facilities. This terminating option is obsolete and is limited to those circuits so equipped and in service for existing customers at existing locations.

(C) 0 to 150 Baud

Provides standard RS-232C interface to customer terminal equipment and converts customer terminal equipment signals to voice frequency signaling for transmission over two-wire or four-wire voiceband facilities. This terminating option is obsolete and is limited to those circuits so equipped and in service for existing customers at existing locations.

5.3.2 Voice Grade

(A) Two-Wire Voice Grade, Non-Data, Without Signaling

This option provides a two-wire interface to a customer and terminates an effective two-wire facility furnished for voice transmission only. Customer provided signaling must be limited to tones in the voice band. Customer provided voiceband signaling equipment must limit transmission power to 0.0 dBm peak and -13 dBm average power over a three-second period.

(B) Four-Wire Voice Grade, Non-Data, Without Signaling

This option provides a four-wire interface to the customer terminal equipment and terminates an effective four-wire facility furnished for voice transmission only. Customer provided signaling must be limited to tones in the voiceband. Customer provided voice band signaling equipment must limit transmission power to 0.0 dBm peak and -13 dBm average power over a three-second period.

FILED
95-163
APR 1 1996

Issued: February 7, 1996

Effective: April 1, 1996

Kenneth Matzdorff
President
Peculiar, Missouri

MISSOURI PUBLIC SERVICE COMMISSION

CANCELLED
February 19, 2018
Missouri Public
Service Commission
TN-2018-0198; JI-2018-0088

FACILITIES FOR INTRASTATE ACCESS

RECEIVED

5. SPECIAL ACCESS (Cont'd)

FEB 7 1996

5.3 Description of Terminating Options (Cont'd)

MISSOURI
Public Service Commission

5.3.2 Voice Grade (Cont'd)

(C) Voice Grade Data Termination

This option provides a two-wire or four-wire transmission interface to a customer's private line data modem and terminates an effective four-wire facility furnished for voiceband data transmission.

(D) Two-Wire Voice Grade Station Connecting Facility Termination

This option provides a means to terminate an effective two-wire facility or an effective four-wire facility with a two-wire customer interface on a telephone, key system, PBX, ACD, or similar equipment. This option is normally used to terminate facilities that furnish foreign central office service, the station end of PBX off premises service, or private switched service network access lines. The option provides both the transmission and loop signaling functions normally associated with these services. The option is also used to terminate facilities arranged with automatic ringdown signaling. This option provides the loop and ringdown signaling with the facility.

(E) Four-Wire Voice Grade Station Connecting Facility Termination

A terminating option similar to (D) preceding used to terminate effective four-wire foreign central office service. The option provides a four-wire transmission interface to the customer terminal equipment and the loop signaling function normally associated with these services. This option provides the loop and ringdown signaling with the facility.

(F) Two-Wire Station Connecting Facility Termination for the Open End of an Off Premises PBX Extension

Terminating options are available depending on the signaling range of the PBX (or similar system) as defined in Part 68 of the FCC Rules and Regulations. Type 1 is an option requiring range extension equipment at the CDL. Type 2 is an option with no range extension equipment at the CDL. If needed, the loop signaling range equipment for Type 1 must be specifically specified, see Section 5.4.4 following for available arrangements.

(G) Dial Repeating Tie Trunk Termination

Two network terminating options are provided for terminating effective four-wire transmission facilities used to furnish dial repeating tie trunk services. These options are described in terms of the interface they provide to a PBX (or similar system).

- (1) A Type I tie line termination provides the customer with a two-wire transmission interface and includes either two-wire or four-wire E&M type signaling. Transmission and signaling interface options available are described in Part 68 of the FCC Rules and Regulations. This option provides the E&M type signaling with the facility.

FILED
95-163
APR 1 1996

Issued: February 7, 1996

Effective: April 1, 1996

Kenneth Matzdorff
President
Peculiar, Missouri

MISSOURI PUBLIC SERVICE COMMISSION

FACILITIES FOR INTRASTATE ACCESS

RECEIVED

FEB 7 1996

MISSOURI
Public Service Commission

5. SPECIAL ACCESS (Cont'd)

5.3 Description of Terminating Options (Cont'd)

5.3.2 Voice Grade (Cont'd)

(G) Dial Repeating Tie Trunk Termination (Cont'd)

(2) A Type III tie line termination provides the customer with a four-wire transmission interface and includes either two-wire or four-wire E&M type signaling. Transmission and signaling options available are described in Part 68 of the FCC Rules and Regulations. This option provides the E&M signaling with the facility.

5.3.3 Program Audio

(A) 200 to 3500 Hz

Provides standard program audio interface levels and impedance matching to two-wire network facilities.

(B) 100 to 5000 Hz, 50 to 8000 Hz, and 50 to 15000 Hz

Provides standard program audio interface levels, circuit equalization and impedance matching to two-wire network facilities.

5.3.4 Videoband

Provides a Videoband Special Access Line interface for use in providing the one way transmission of video signals.

Standard Videoband service is provided via one signal (combined video and audio). This signal is in the 30 hz to 6.6 MHz frequency range. It includes a one-way duplexed transmission of standard 525 lines/60 fields monochrome or NTSC color video signal, and one or two associated 15 kHz audio signals.

As an option, the customer may select to receive Videoband service via two or three signals (one video and one or two audio). Under this option, the video signal received will be in the 30 Hz to 4.5 MHz frequency range and the one or two audio signals will be in the 50 Hz to 15000 Hz frequency range.

5.3.5 Wideband Data Service *

(A) Provides a Wideband Data Service Special Access interface for use in providing two-way transmission of sequential synchronous or nonsynchronous data at rates of 19.2, 50 or 230.4 kbps; or sequential synchronous bipolar data signals at a rate of 56 kbps over four-wire facilities.

(B) (Reserved for Future Use)

* Limited to existing customers at existing locations.

FILED
95-163
APR 1 1996

Issued: February 7, 1996

Effective: April 1, 1996

MISSOURI PUBLIC SERVICE COMMISSION

Kenneth Matzdorff
President
Peculiar, Missouri

CANCELLED
February 19, 2018
Missouri Public
Service Commission
TN-2018-0198; JI-2018-0088

FACILITIES FOR INTRASTATE ACCESS

RECEIVED

FEB 7 1996

MISSOURI
Public Service Commission

5. SPECIAL ACCESS (Cont'd)

5.3 Description of Terminating Options (Cont'd)

5.3.6 High Capacity Digital

(A) High Capacity Digital DS1

Provides a High Capacity Digital DS1 Special Access interface for use in providing simultaneous two-way transmission of isochronous bipolar serial data signals at the rate of 1.544 Mbps.

(B) High Capacity Digital DS1C

Provides a High Capacity Digital DS1C Special Access interface for use in providing simultaneous two-way transmission of isochronous bipolar serial data signals at the rate of 3.152 Mbps.

(C) (Reserved for Future Use)

(D) (Reserved for Future Use)

(E) High Capacity Digital DS3

Provides a High Capacity Digital DS3 Special Access interface for use in providing simultaneous two-way transmission of isochronous bipolar serial data signals at the rate of 44.736 Mbps. The Telephone Company will provide an electrical interface with the service unless otherwise specified by the customer.

(F) High Capacity Digital DS3C

Provides a High Capacity Digital DS3C Special Access interface for use in providing simultaneous two-way transmission of isochronous bipolar serial data signals at the rate of 89.472 Mbps. The Telephone Company will provide an optical interface with this service unless the service is provided via microwave, in which case, an electromagnetic interface is provided, or unless the customer requests an electrical interface.

5.3.7 Digital Data Service (DDS)

Provides DDS Special Access interface for use in providing simultaneous two-way transmission of sequential bipolar data signals at transmission speeds of 2.4 Kbps, 4.8 Kbps, 9.6 Kbps or 56 Kbps over four-wire facilities.

FILED
95-163
APR 1 1996

Issued: February 7, 1996

Effective: April 1, 1996
MISSOURI PUBLIC SERVICE COMMISSION

Kenneth Matzdorff
President
Peculiar, Missouri

CANCELLED
February 19, 2018
Missouri Public
Service Commission
TN-2018-0198; JI-2018-0088

FACILITIES FOR INTRASTATE ACCESS

RECEIVED

5. SPECIAL ACCESS (Cont'd)

FEB 7 1996

5.4 Description of Supplemental Features

MISSOURI
Public Service Commission

Supplemental Features are items which can be added to a Special Access Service to enhance its capabilities or improve its utility. References to specific uses or Special Access types indicate the most effective use for each Supplemental Feature. Customer use for other purposes or with other Special Access types is limited only to the extent that such use must not harm the network. Further, the Telephone Company does not guarantee functional operation of Supplemental Features for these alternate applications.

Listed below are the Supplemental Features that are offered under this tariff.

5.4.1 Bridging

Bridging is the function of connecting three or more CDLs in a multipoint arrangement. Listed below are those bridging services offered under this tariff.

(A) MultiPoint Data Bridging (USOC - BSNDJ)

This feature provides the capability to derive a multipoint data circuit from a single facility and is normally provided on Voiceband facilities provided for transmission of data signals. This function is provided on a per port basis. Polled multipoint data circuits are a typical application of this feature.

FILED
95 - 163
APR 1 1996

Issued: February 7, 1996

Effective: April 1, 1996

Kenneth Matzdorff
President
Peculiar, Missouri

MO. PUBLIC SERVICE COMM

FACILITIES FOR INTRASTATE ACCESS

RECEIVED

5. SPECIAL ACCESS (Cont'd)

FEB 7 1996

5.4 Description of Supplemental Features (Cont'd)

MISSOURI
Public Service Commission

5.4.1 Bridging (Cont'd)

(B) Voice Conference Bridging (USOC - B5NVJ)

Bridging arrangement to connect multiple Voiceband facilities in order that a voice frequency input signal from any location will be reproduced at the output of all other circuit locations. This function is provided on a per port basis.

(C) Alarm Distribution Bridging (USOC - BCNTA)

Provides polling type bridging capabilities, band splitting filters and conversion of four-wire common terminations up to a capacity of 40 two-wire terminations. This function is offered as two tariff elements. The first element provides all shelving and common equipment for a capacity of 40 two-wire terminations. The second element provides a two-wire port. One common equipment rate element will apply to accommodate up to 40 two-wire terminations. One two-wire port charge will apply to each two-wire Special Access Line terminated in the bridge.

(D) Program Audio Bridging (USOC - BCNPT)

An arrangement to provide multiple channel outputs from a single Program Audio or Voiceband facility. This arrangement is provided and rated on a per port basis.

(E) Dataphone Select-A-Station Bridging (USOC - BCNSP)

Provides for the connection of a master station location to a number of remote stations. The capacity of this bridging arrangement will vary from a minimum of 21 stations to a maximum of 84 stations dependent upon the mixture of four-wire and two-wire ports equipped. This arrangement is provided per AT&T Technical Reference Publication 41014. Charges consist of a rate for either common equipment-addressable or common equipment-sequential, plus a rate for each four-wire port connected or for each two-wire port connected. Dataphone Select-A-Station Bridging is an obsolete service offering and is limited to those circuits so equipped and in service for existing customers at existing locations.

(F) DDS Bridging (USOC - BCNDA)

Provides for a multi-junction unit (MJU) arrangement to bridge 2.4 kbps, 4.8 kbps, 9.6 kbps, or 56 kbps DDS facilities. Different speeds cannot be mixed on the same bridge. This function is provided on a per port basis.

FILED
95-163
APR 1 1996

Issued: February 7, 1996

Effective: April 1, 1996

Kenneth Matzdorff
President
Peculiar, Missouri

MO. PUBLIC SERVICE COM.

CANCELLED
February 19, 2018
Missouri Public
Service Commission
TN-2018-0198; JI-2018-0088

FACILITIES FOR INTRASTATE ACCESS

RECEIVED

FEB 7 1996

MISSOURI
Public Service Commission

5. SPECIAL ACCESS (Cont'd)

5.4 Description of Supplemental Features (Cont'd)

5.4.2 Conditioning Arrangements - Data

Data conditioning, when utilized in conjunction with effective four-wire Voiceband transmission facilities, improves the characteristics of these facilities. These improved characteristics are not represented to apply to the entire end to end facility of the customer, but only to that portion of the facility provided by the Telephone Company.

There are three types of data conditioning: Type C, Type C-Improved and Type DA. Type C and Type C-Improved conditioning control attenuation distortion and envelope delay distortion. Type DA controls the signal to C-notched noise ratio and intermodulation distortion. Type C and Type DA conditioning may be combined on the same circuit. Type C-Improved and Type DA conditioning may be combined on the same circuit.

Data conditioning is charged for on a per Special Access line basis. The parameters listed for each type of data conditioning apply from two or more CDLs located within the Telephone Company serving area. Conditioning parameters apply to each end of a two-point circuit. For multipoint circuits, the conditioning parameters apply from any CDL to either the point of interface at another CDL or the first Telephone Company bridging point depending on the circuit configuration. These parameters are not applicable to High Capacity or Wideband Analog points of interface, because there is no voice frequency test access point. In these instances the data conditioning parameters apply to the last telephone company voice frequency test access point before the High Capacity or Wideband Analog point of interface.

(A) Type C (USOC - X1CPT)

Type C conditioning of Voiceband facilities provides a facility with the following transmission parameters enhanced to meet the values specified for Type C conditioning in Section 7000 of the GTE Technical Interface Reference Manual in addition to the standard parameters for Voiceband circuits.

- (1) Attenuation distortion with reference to 1004 Hz.
- (2) Envelope delay distortion.

(B) Type C-Improved

Type C-Improved conditioning of Voiceband facilities provides a facility with the following transmission parameters enhanced to meet the values specified for Type C conditioning in Section 7000 of the GTE Technical Interface Reference Manual in addition to the standard parameters for Voiceband circuits.

- (1) Improved attenuation distortion with reference to 1004 Hz.
(USOC - UHW)
- (2) Improved envelope delay distortion. (USOC - UHY)

The customer may choose to order Improved Attenuation Distortion or Improved Envelope Delay Distortion or both (USOC - XCECM) configurations. The rates specified for Type C-Improved conditioning, Section 5.7.2(B), will apply regardless of the configuration specified.

FILED
95-163
APR 1 1996

Issued: February 7, 1996

Effective: April 1, 1996

Kenneth Matzdorff
President
Peculiar, Missouri

MO. PUBLIC SERVICE COMMISSION

CANCELLED
February 19, 2018
Missouri Public
Service Commission
TN-2018-0198; JI-2018-0088

FACILITIES FOR INTRASTATE ACCESS

RECEIVED

FEB 7 1996

5. SPECIAL ACCESS (Cont'd)

5.4 Description of Supplemental Features (Cont'd)

5.4.2 Conditioning Arrangements - Data (Cont'd)

(C) Type DA (USOC - XDCPT)

Type DA conditioning of Voiceband facilities provides a facility with the following transmission parameter enhanced to meet the values specified for Type DA conditioning in Section 7000 of the GTE Technical Interface Reference Manual in addition to the standard parameters for voiceband circuits.

- (1) Signal to C-notched noise ratio.
- (2) Nonlinear signal to second order distortion.
- (3) Nonlinear signal to third order distortion.

MISSOURI
Public Service Commission

FILED
95-167
APR 1 1996

Issued: February 7, 1996

Effective: April 1, 1996

Kenneth Matzdorff
President
Peculiar, Missouri

MO. PUBLIC SERVICE COMMISSION

RECEIVED

FACILITIES FOR INTRASTATE ACCESS

FEB 7 1996

MISSOURI
Public Service Commission

5. SPECIAL ACCESS (Cont'd)

5.4 Description of Supplemental Features (Cont'd)

5.4.3 Conditioning - Program Audio

(A) Stereo Conditioning (USOC - XSC)

Provides the option of two radio program facilities which are identical in all transmission characteristics. Two Program Audio facilities are required to provide this Supplemental Feature. This feature is normally used only with Program Audio 50 to 15000 Hz facilities. Stereo Conditioning is charged on a per occurrence basis.

(B) Zero Loss (USOC - XZB)

Conditioning of Program Audio facilities to provide zero loss at 1000 Hz test frequency. Zero Loss is charged on a per Special Access Line basis.

5.4.4 Signaling Arrangements (USOC - OS+; XSSLR)

Signaling arrangements, when furnished with Voiceband transmission facilities, enable the facilities to accommodate standard telecommunications signaling protocols. Signaling arrangements provide for the conversion of one signaling method to another signaling method and/or extension of a signaling method at customer and Telephone Company interfaces and enables the transmission facilities to accommodate signaling transmission. Signaling arrangements are available with Voiceband transmission facilities to enable transmission of requested signaling formats. The third and fourth protocol characters of the Network Channel Interface (NCI) and Secondary Network Channel Interface (SEC NCI) codes as indicated on the customer's order, reflect signaling activity. Typical protocol characters contained in the NCI or SEC NCI codes that designate signaling arrangements are: AB, AC, DS, DX, DY, EA, EB, EC, EX, GO, GS, LA, LB, LC, LO, LR, LS, NO, RV and SF.

The customer identified NCI and SEC NCI codes will be considered the customer's request for signaling. The Telephone Company will endeavor to provide the specific signaling protocols requested by the customer. In those cases where facilities and equipment are not available to meet the customer's specific requests, the Telephone Company will provide the customer acceptable alternate protocols. Sections 1300, 6000 and 7000 of the GTS Technical Interface Reference Manual provide detailed technical descriptions of the signaling protocols normally available with each service offering. To properly provision SF signaling, when associated signaling code, is DS (PCM), additional information of SF requirements (loop signaling type DX/E&M or ringdown) must accompany the customer's order.

Signaling arrangement charges apply whenever interfaces at the customer premises or at the customer's Telephone Company serving wire center require a signaling arrangement other than those provided with the Terminating Options in 5.3.2 preceding. Signaling Arrangements will be charged on a per SAL basis. Specifically, a signaling charge applies if the signaling protocol characters in the NCI and the SEC NCI fields are different and include one of the following codes: RV, EX, SF, DX, DY, D

FILED
95 - 163
APR 1 1996

Issued: February 7, 1996

Effective: April 1, 1996

Kenneth Matzdorff
President
Peculiar, Missouri

MO. PUBLIC SERVICE COMMISSION

CANCELLED
February 19, 2018
Missouri Public
Service Commission
TN-2018-0198; JI-2018-0088

FACILITIES FOR INTRASTATE ACCESS

RECEIVED

5. SPECIAL ACCESS (Cont'd)

FEB 7 1996

5.4 Description of Supplemental Features (Cont'd)

MISSOURI
Public Service Commission

5.4.4 Signaling Arrangements (Cont'd)

For the above conditions, one additional signaling charge applies for each additional leg of multipoint circuit. When a Multiplexing Arrangement is ordered that converts a single higher capacity or bandwidth circuit into several lower Voiceband circuits, the Voiceband Signaling Arrangements are provided as part of the Multiplexing Arrangement, and no additional Signaling Arrangement charges will apply.

A signaling charge applies in addition to any other applicable signaling charge when loop range extension equipment is required. The Telephone Company will obtain customer approval for signaling range extension equipment.

Listed below are the Signaling Arrangements offered under this tariff:

- (A) Loop Signaling Range Extension - An arrangement to extend the metallic resistance limitations of loop type signaling. (USOC - OSA)
- (B) Conversion of Loop or E&M Signaling to SF - An arrangement to convert loop or E&M signaling to the single frequency signaling format. (USOC - OSB)
- (C) E&M to DX Signaling Conversion - Conversion of E&M signaling to the DX signaling format. (USOC - OSC)
- (D) E&M to Loop Signaling Conversion - Conversion of E&M signaling format to the loop type signaling. (USOC - OSD)
- (E) Loop or E&M to PCM Signaling - Conversion of loop or E&M signaling to the digital (PCM) signaling format. (USOC - OSN)
- (F) Automatic Ringdown Signaling (ARD) - A signaling arrangement on a two-point Special Access which converts loop seizure at one end of the facility into ringing signal at the opposite end. (USOC - XSSLR)

5.4.5 Echo Control

(A) Echo Suppression (USOC - OE1)

An arrangement provided at the customer's request to attenuate reflected speech energy on a four-wire facility. This conditioning is generally required on circuits with long propagation delay. Echo suppression is charged on a per Special Access circuit basis. Echo suppression is an obsolete service offering and is applicable only to those circuits equipped with echo suppression prior to January 1, 1987. Any service rearrangements or order activity on the circuits equipped with echo suppression may require a change to echo canceller as described in 5.4.5(B) following.

Issued: February 7, 1996

Effective: April 1, 1996

Kenneth Matzdorff
President
Peculiar, Missouri

FILED
95-163
APR 1 1996

CANCELLED
February 19, 2018
Missouri Public
Service Commission
TN-2018-0198; JI-2018-0088

MISSOURI PUBLIC SERVICE COMMISSION

FACILITIES FOR INTRASTATE ACCESS

RECEIVED

5. SPECIAL ACCESS (Cont'd)

FEB 7 1996

5.4 Description of Supplemental Features (Cont'd)

MISSOURI
Public Service Commission

5.4.5 Echo Control (Cont'd)

(B) Echo Canceller (USOC - ORJ)

An arrangement provided at the customer's request to cancel reflected speech energy on a four-wire facility. This conditioning is generally required on circuits with long propagation delay. Echo canceller is charged on a per Special Access circuit basis.

5.4.6 Improved Return Loss (USOC - 1RL)

Improved Return Loss provides for increased echo return and singing return parameters of an effective two-wire channel. This optional feature is available with certain Voiceband services at a two-wire point of termination when the transmission interface is four-wire at one CDL and two-wire at the other CDL. Placement of Telephone Company equipment may be required at the customer's premises with the two-wire point of termination.

Improved Return Loss rates and charges will apply on a per Special Access Line basis at the rates specified in 5.7.2(B) following. Technical parameters and the applicable Voiceband services are specified in Section 7000 of the GTE Technical Interface Reference Manual.

5.4.7 Voiceband Facility Switching Arrangement (USOC - UST)

An arrangement to provide switching between two Voiceband Special Access Services. This arrangement may require a Voiceband control circuit to control the switching arrangement at an additional charge.

5.4.8 Automatic Protection Switch (USOC - APP)

Consists of special switching equipment placed at both ends of a duplicate DS1 facility (i.e., DS1, High Capacity Circuit) for automatic switching to the duplicate (standby) facility in the event the active facility is inoperative.

Duplicate facilities may terminate at a serving wire center, a CDL or both. The option provided under this tariff only includes the APS(s) located at a serving wire center(s). When the duplicate facility terminates at a CDL, the customer will be responsible for providing the associated APS and ensuring it is compatible with the Telephone Company provided switch if appropriate.

The duplicate facilities are not a part of this supplemental feature.

Issued: February 7, 1996

Effective: Apr 1 1996

Kenneth Matzdorff
President
Peculiar, Missouri

FILED
95 - 163
APR 1 1996

CANCELLED
February 19, 2018
Missouri Public
Service Commission
TN-2018-0198; JI-2018-0088

MO. PUBLIC SERVICE COMMISSION

FACILITIES FOR INTRASTATE ACCESS

RECEIVED

FEB 7 1996

5. SPECIAL ACCESS (Cont'd)

MISSOURI
Public Service Commission

5.4 Description of Supplemental Features (Cont'd)

5.4.9 Improved Termination Option (USOC - X4T)

Improved Termination provides for a fixed 600 ohm impedance, an increased range of transmission levels, and simplex reversal (when applicable) on an effective four-wire channel. This optional feature is available with most Voiceband services with a four-wire point of termination. Telephone Company equipment is required at the customer's premises where this option is ordered.

The Improved Termination option will be ordered and rates and charges, as set forth in 5.7.2(B) following, will apply on a per SAL basis. Technical parameters and the applicable Voiceband services are specified in Section 7000 of the GTE Technical Interface Reference Manual.

5.4.10 Improved Equal Level Echo Path Loss Option - ELEPL-2 (USOC - ORP)

This option provides improved echo control parameters for an effective two-wire channel at a four-wire point of termination. Placement of Telephone Company equipment may be required at the customer's premises with the two-wire point of termination.

The term "Equal Level Echo Path Loss" (ELEPL) represents the measure of Echo Path Loss (EPL) at a four-wire interface which is corrected by the difference between the send and receive Transmission Level Point (TLP), i.e., $ELEPL = EPL - TLP (send) + TLP (receive)$.

Improved ELEPL rates and charges will apply on a per SAL basis at the rates set forth in 5.7.2(B) following. Technical parameters are specified in Section 7000 of the GTE Technical Interface Reference Manual.

Issued: February 7, 1996

Effective: April 1996

Kenneth Matzdorff
President
Peculiar, Missouri

FILED
95 - 163
APR 1 1996

CANCELLED
February 19, 2018
Missouri Public
Service Commission
TN-2018-0198; JI-2018-0088

MO. PUBLIC SERVICE COMM

FACILITIES FOR INTRASTATE ACCESS

RECEIVED

5. SPECIAL ACCESS (Cont'd)

FEB 7 1996

5.5 Description of Multiplexing Arrangements

Multiplexing Arrangements provide the function to convert a single high capacity or bandwidth circuit for bulk transport to several lower capacity or bandwidth circuits. Cascading multiplexing occurs when a high capacity analog or digital channel is de-multiplexed to provide channels with a lesser capacity and one of the lesser capacity channels is further de-multiplexed. For example, a DS1C may be de-multiplexed to two DS1 facilities and then the DS1 facilities may be further de-multiplexed to 24 Voiceband channels.

When cascading multiplexing is performed in the same or different Hub Wire Center, a charge for the additional multiplexing unit will also apply. When cascading multiplexing is performed at a different Hub Wire Center, Special Transport will also apply between the involved Hub Wire Centers.

Listed below are the multiplexing arrangements offered under this tariff.

(A) Voice to Narrowband (USOC - MQX)

An arrangement that multiplexes sixteen 0 to 75 baud narrowband circuits to a single voice grade circuit, or a single voice grade circuit to sixteen 0 to 75 baud narrowband circuits. Voice to Narrowband multiplexing arrangement is an obsolete offering and is limited to existing customers at existing locations.

(B) Group to Voice (USOC - MQV++)

An arrangement that multiplexes twelve voice grade circuits to a single wideband analog group band circuit, or multiplexes a single wideband analog group band circuit to twelve voice grade circuits.

(C) Supergroup to Group (USOC - MQS++)

An arrangement that multiplexes five wideband analog group band circuits to a single wideband analog supergroup band circuit, or multiplexes a single wideband analog supergroup band circuit to five wideband analog group band circuits.

(D) Mastergroup to Supergroup (USOC - MQ9++)

An arrangement that multiplexes ten wideband analog supergroup band circuits to a single wideband analog mastergroup band circuit, or multiplexes a single wideband analog mastergroup band circuit to ten wideband analog supergroup band circuits.

(E) DS1 to Voice (USOC - MQ1)

An arrangement that multiplexes twenty-four voice grade circuits to a single DS1 digital circuit at a rate of 1.544 Mbps, or multiplexes a single DS1 digital circuit at a rate of 1.544 Mbps to twenty-four voice grade circuits. If this DS1 terminates in a DDS hub, a channel(s) of the DS1 can be used to provide DDS; however, DDS service stops at the DS1 interface. Multiple channels may be required to provide individual Program Audio Channels.

Up to 16 channels of this DS1 can be used for Direct Digital Service (DDS-like service) with the assurance that circuit performance parameters will be met. If more than 16 channels are used for DDS-like service, the performance parameters for the DS1 and all circuits riding the DS1 will not be guaranteed.

Issued: February 7, 1996

Effective: April 1, 1996

Kenneth Matzdorff
President
Peculiar, Missouri

FILED -
95-163
APR 1 1996

CANCELLED
February 19, 2018
Missouri Public
Service Commission
TN-2018-0198; JI-2018-0088

MO. PUBLIC SERVICE COMMISSION

FACILITIES FOR INTRASTATE ACCESS

RECEIVED

FEB 7 1996

5. SPECIAL ACCESE (Cont'd)

MISSOURI
Public Service Commission

5.5 Description of Multiplexing Arrangements (Cont'd)

(F) DS1C to Voice (USOC - MQH++)

An arrangement that multiplexes forty-eight voice grade circuits to a single DS1C digital circuit at a rate of 3.152 Mbps, or multiplexes a single DS1C digital circuit at a rate of 3.152 Mbps to forty-eight voice grade circuits.

(G) DS1C to DS1 (USOC - MXH++)

An arrangement that multiplexes two DS1 digital circuits to a single DS1C digital circuit at a rate of 3.152 Mbps, or multiplexes a single DS1C digital circuit at a rate of 3.152 Mbps to two DS1 digital circuits.

(H) (Reserved for Future Use)

(I) DS3 to DS1 (USOC - MXB++)

An arrangement that multiplexes twenty-eight DS1 digital circuits to a single DS3 digital circuit at a rate of 44.736 Mbps, or multiplexes a single DS3 digital circuit at a rate of 44.736 Mbps to twenty-eight DS1 digital circuits.

(J) DS3C to DS1 (USOC - MQT++)

An arrangement that multiplexes fifty-six DS1 digital circuits to a single DS3C digital circuit at a rate of 89.472 Mbps, or multiplexes a single DS3C digital circuit at a rate of 89.472 Mbps to fifty-six DS1 digital circuits.

(K) Group to DS1 (USOC - MQG++)

An arrangement that multiplexes two wideband analog groupband circuits to a single DS1 digital circuit at a rate of 1.544 Mbps, or multiplexes a single DS1 digital circuit at a rate of 1.544 Mbps to two wideband analog groupband circuits.

(L) Digital Data Carrier Multiplexer (USOC - QMU)

An arrangement that multiplexes a single DS1 1.544 Mbps digital circuit to twenty-three DSO digital ports for connection to either a subrate data multiplexer as described in 5.5(M) following or 56 Kbps digital circuits.

(M) Digital Data Subrate Multiplexer (USOC - QSU24; QSU48; QSU96)

Used with cascading multiplexing, the Digital Data Subrate Multiplexer is an arrangement that multiplexes the following quantities of subrate digital data circuits into a single DSO digital port: 1) twenty 2.4 Kbps, 2) ten 4.8 Kbps or 3) five 9.6 Kbps. In turn, the DSO digital port is then multiplexed to a single DS1 digital circuit using the Digital Data Carrier Multiplexer described in 5.5(L) preceding.

Issued: February 7, 1996

Effective: April 1, 1996

Kenneth Matzdorff
President
Peculiar, Missouri

FILED
95-163
APR 1 1996

CANCELLED
February 19, 2018
Missouri Public
Service Commission
TN-2018-0198; JI-2018-0088

MO. PUBLIC SERVICE COMMISSION

Original Sheet 188
RECEIVED

FACILITIES FOR INTRASTATE ACCESS

~~FEB 7 1996~~

5. SPECIAL ACCESS (Cont'd)

**MISSOURI
Public Service Commission**

5.6 Rate Regulations

This section contains specific regulations governing the rates and charges that apply for Special Access Service.

5.6.1 Types of Rates and Charges

There are four types of rates and charges. These are monthly rates, daily rates, time sensitive rates and nonrecurring charges. The rates and charges are described as follows:

(A) Monthly Rates

Monthly rates are recurring charges that apply each month or fraction thereof that a Special Access Service is provided. For billing purposes, each month is considered to have 30 days.

(B) Daily Rates

Daily rates are recurring charges that apply to each 24 hour period or fraction thereof that a part-time Program Audio Special Access Service is provided. This 24 hour period is not limited to a calendar day. When part-time Program Audio service is provided for ten or more consecutive days it will be treated as a full-time service and monthly rates will apply. In no event will the charges for continuous part-time Program Audio service exceed the amount that would be charged in the same time period for full-time service.

(C) Time Sensitive Rates

Hourly Rates

Hourly rates are recurring charges that apply to each 60 minute period, or fraction thereof, that a part-time Videoband Special Access Service is provided. The billing period commences when the video circuit is available for the customer's use and ceases when the customer's use is discontinued. There is a maximum monthly charge that may be assessed to any Temporary Videoband - Special Access Service. The maximum charge during any 30 day period will be that amount equal to 100 hours of use.

Issued: February 7, 1996

Effective: April 1, 1996

FILED
95 - 163
APR 1 1996

Kenneth Matzdorff
President
Peculiar, Missouri

CANCELLED
February 19, 2018
Missouri Public
Service Commission
TN-2018-0198; JI-2018-0088

MO. PUBLIC SERVICE COMM

FACILITIES FOR INTRASTATE ACCESS

RECEIVED

5. SPECIAL ACCESS (Cont'd)

FEB 7 1996

5.6 Rate Regulations (Cont'd)

MISSOURI
Public Service Commission

5.6.1 Types of Rates and Charges (Cont'd)

(D) Nonrecurring Charges

Nonrecurring charges are one-time charges that apply for specific work activity, (i.e., installation of service or change to an existing service). The types of nonrecurring charges that apply for Special Access Service are those listed below.

(1) Special Access Ordering Charges

Special Access Ordering Charges are associated with the work performed by the Telephone Company in connection with the receiving, recording and processing of customer service requests. There are two types of service ordering charges.

(a) Initial Ordering Charge - Special Access (USOC - SESCL)

This charge applies on a per Access Service Request (ASR) basis, including those requests to add additional termination to an existing service.

(b) Subsequent Ordering Charge - Special Access (USOC - SESBX)

This charge applies on a per ASR basis for modifications to an existing service. This would include activities such as:

- Additions of supplemental features and multiplexing arrangements.
- Changes in the type of transport rate option from Switched Transport to Special Transport for FGA and FGB Switched Access Service as described in 4.1 preceding.

(2) Service Installation Charge (USOC - Reference SAL)

The Service Installation Charge is associated with the work performed by the Telephone Company in connection with the physical installation activities involving central office and/or outside plant facilities. This charge applies on a per SAL basis for the installation of service, and for additional terminations to existing service.

This charge does not apply to installations involving DS1 SAL, DS3 SAL, or to Temporary Videoband Services for CASS COUNTY TELEPHONE (former GTE North Incorporated) exchanges. (See 1.1.1 for exchange listing.) The installation charge for these services are set forth in 5.6.1(D)(5) and (6) following. In addition, this charge will not apply to part-time Program Audio SALs which are left in place and reused.

Issued: February 7, 1996

Effective: April 1, 1996

Kenneth Matzdorff
President
Peculiar, Missouri

FILED
95-163
APR 1 1996

CANCELLED
February 19, 2018
Missouri Public
Service Commission
TN-2018-0198; JI-2018-0088

MO. PUBLIC SERVICE COMM

FACILITIES FOR INTRASTATE ACCESS

RECEIVED

5. SPECIAL ACCESS (Cont'd)

FEB 7 1996

5.6 Rate Regulations (Cont'd)

**MISSOURI
Public Service Commission**

5.6.1 Types of Rates and Charges (Cont'd)

(D) Nonrecurring Charges (Cont'd)

(3) Design Change Charge (USOC - H28)

The customer may request a design change to the service ordered. A design change is any change to a pending ASR for Special Access Service which requires engineering review. Design changes include such things as the addition or deletion of supplemental features or changes in the terminating options. Design changes do not include a change of IC CDL or end user premises when its serving wire center changes or Special Access service type (e.g., 2-wire to 4-wire Voiceband or Voiceband to Program Audio, etc.). Changes of this nature will require the issuance of a new ASR and the cancellation of the original ASR. The cancellation charges apply as set forth in 3.2.6 preceding.

The Telephone Company will review the requested change, notify the customer whether the change can be accommodated and specify if a new service date is required. If the customer authorizes the Telephone Company to proceed with the design change, a Design Change Charge will apply.

The Design Change Charge, as set forth in 5.7.1 following, will apply on a per ASR per occurrence basis, for each ASR requiring a design change.

If a change of service date is required, the Service Date Change Charge as set forth in Section 3 preceding will also apply.

(4) Installation of Supplemental Features and Multiplexing Arrangements

Nonrecurring charges apply for the installation of supplemental features and multiplexing arrangements available with Special Access service. The charge applies whether the feature or multiplexing arrangement is installed coincident with the initial installation of service or at any time subsequent to the installation of service. These charges are in addition to the appropriate Special Access Ordering Charge as set forth in 5.6.1(D)(1) preceding.

(5) Installation of DS1 Special Access Lines

There are two levels of NRC and monthly charges for the installation of a DS1 SAL as set forth in 5.7.7(A). The "First System" charge is assessed per SAL for the first DS1 service ordered by a customer between CDLs or a hub wire center. When the same customer requests additional DS1 service on the same ASR, to be installed at the same time and between the same CDLs as the "First System" DS1 SAL, the lesser charge under "Additional System" will apply. The "Additional System" NRC is applicable only to CASS COUNTY TELEPHONE (former GTE North Incorporated) exchanges. (See Section 1.1.1 for exchange listing.)

Issued: February 7, 1996

Effective: April 1, 1996

Kenneth Matzdorff
President
Peculiar, Missouri

FILED
95 - 163
APR 1 1996

CANCELLED
February 19, 2018
Missouri Public
Service Commission
TN-2018-0198; JI-2018-0088

MO. PUBLIC SERVICE COMM

FACILITIES FOR INTRASTATE ACCESS

RECEIVED

5. SPECIAL ACCESS (Cont'd)

FEB 7 1996

5.6 Rate Regulations (Cont'd)

**MISSOURI
Public Service Commission**

5.6.1 Types of Rates and Charges (Cont'd)

(D) Nonrecurring Charges (Cont'd)

(6) Installation of Temporary Videoband Service

There are two nonrecurring charges for the installation of Temporary Videoband Service. One nonrecurring charge will be assessed when permanent in place facilities are used to provide the service, and a different nonrecurring charge will be assessed when nonpermanent portable facilities are used to provide the service.

FILED

APR 1 1996
9 5 - 1 6 3

MO. PUBLIC SERVICE COMM

Issued: February 7, 1996

Effective: April 1, 1996

Kenneth Matzdorff
President
Peculiar, Missouri

CANCELLED
February 19, 2018
Missouri Public
Service Commission
TN-2018-0198; JI-2018-0088

FACILITIES FOR INTRASTATE ACCESS

RECEIVED

5. SPECIAL ACCESS (Cont'd)

FEB 7 1996

5.6 Rate Regulations (Cont'd)

**MISSOURI
Public Service Commission**

5.6.1 Types of Rates and Charges (Cont'd)

(D) Nonrecurring Charges (Cont'd)

(7) (Reserved for Future Use)

(8) Service Rearrangements

Service rearrangements are changes to existing (installed) services which may be administrative only in nature or involve an actual physical change to the service. Changes to pending orders are in 3.2.2.

Changes in the type of service will be treated as a discontinuance of the service and an installation of a new service.

Changes in the physical location of the point of termination are treated as moves which are described and charged for as in 5.6.4.

Administrative changes will be made without charge(s) to the customer. Administrative changes are as follows:

- Change in name or ownership or transfer of responsibility from one customer to another, provided there is no interruption of use or relocation of Special Access service.
- Change of customer or customer's end user premises address when the change of address is not a result of a physical relocation of equipment,
- Change in billing data (name, address, or contact name or telephone number),
- Change of customer circuit identification,
- Change of billing account number,
- Change of customer test line number,
- Change of customer or customer's end user contact name or telephone number,
- Change of agency authorization, and
- Change in jurisdiction involving no physical changes to the service.

FILED

APR 1 1996
95 - 163

MO. PUBLIC SERVICE COMMISSION

Issued: February 7, 1996

Effective: April 1, 1996

Kenneth Matzdorff
President
Peculiar, Missouri

CANCELLED
February 19, 2018
Missouri Public
Service Commission
TN-2018-0198; JI-2018-0088

FACILITIES FOR INTRASTATE ACCESS

RECEIVED

FEB 7 1996

**MISSOURI
Public Service Commission**

5. SPECIAL ACCESS (Cont'd)

5.6 Rate Regulations (Cont'd)

5.6.1 Types of Rates and Charges (Cont'd)

(D) Nonrecurring Charges (Cont'd)

(8) Service Rearrangements (Cont'd)

All other service rearrangements will be charged for as follows:

- If the change involves the addition of another termination to an existing two-point or multipoint service, the Initial Ordering Charge - Special Access will apply plus the Service Installation and bridging charges for each location added.
- If the change involves the addition of supplemental feature or multiplexing arrangement, the Subsequent Ordering Charge - Special Access will apply plus the installation charge associated with the supplemental feature or arrangement.
- If the change involves only changing the type of network interface, with no change in facility, the Subsequent Ordering Charge - Special Access will apply per ASR for each customer designated location requiring a network interface change. The installation charge associated with each service receiving a network interface change will also apply.
- If the change involves changing a two-wire service to a four-wire service or vice versa, the Subsequent Ordering Charge - Special Access will apply plus the Service Installation charge for each location changed.
- If the change involves only rollovers or grooming, then no charges will apply. A rollover is the retermination of a segment of a lower capacity special access service onto a higher capacity special access service. The rollover must occur in the wire center where the higher capacity service is multiplexed with no other changes to the lower capacity service being reterminated (i.e., the segment must not require rerouting to connect to the multiplexer of the higher capacity service).

Grooming is the retermination of a lower capacity special access service from one channel in a higher capacity special access service to another channel in the same higher capacity service or to another channel in another higher capacity special access service (i.e., change in connecting facility assignment) in the same wire center, with no other changes to the lower capacity service.

FILED

APR 1 1996

95 - 163

MO. PUBLIC SERVICE COM

Issued: February 7, 1996

Effective: April 1, 1996

Kenneth Matzdorff
President
Peculiar, Missouri

CANCELLED
February 19, 2018
Missouri Public
Service Commission
TN-2018-0198; JI-2018-0088

FACILITIES FOR INTRASTATE ACCESS

RECEIVED

5. SPECIAL ACCESS (Cont'd)

FEB 7 1996

5.6 Rate Regulations (Cont'd)

**MISSOURI
Public Service Commission**

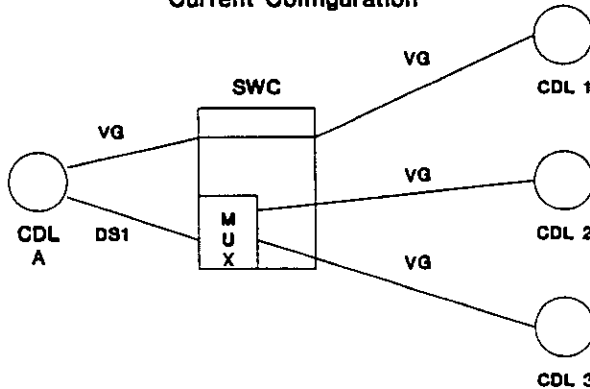
5.6.1 Types of Rates and Charges (Cont'd)

(D) Nonrecurring Charges (Cont'd)

(8) Service Rearrangements (Cont'd)

Rollover -Example 1

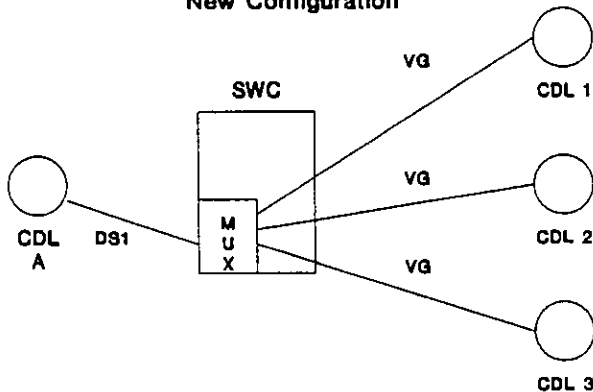
Current Configuration



The customer requests that the voiceband circuit (VG) between CDL A and CDL 1 be "rolled over" to the DS1 serving CDL A. No NRCs apply for this request.

Rollover -Example 1

New Configuration



FILED

APR 1 1996
95 - 163
MO. PUBLIC SERVICE COMMISSION

Issued: February 7, 1996

Effective: April 1, 1996

Kenneth Matzdorff
President
Peculiar, Missouri

CANCELLED
February 19, 2018
Missouri Public
Service Commission
TN-2018-0198; JI-2018-0088

FACILITIES FOR INTRASTATE ACCESS

5. SPECIAL ACCESS (Cont'd)

5.6 Rate Regulations (Cont'd)

5.6.1 Types of Rates and Charges (Cont'd)

(D) Nonrecurring Charges (Cont'd)

(8) Service Rearrangements (Cont'd)

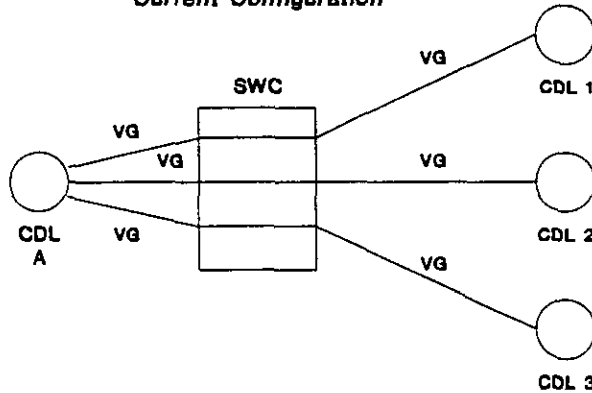
RECEIVED

FEB 7 1996

MISSOURI
Public Service Commission

ROLLOVER -EXAMPLE 2

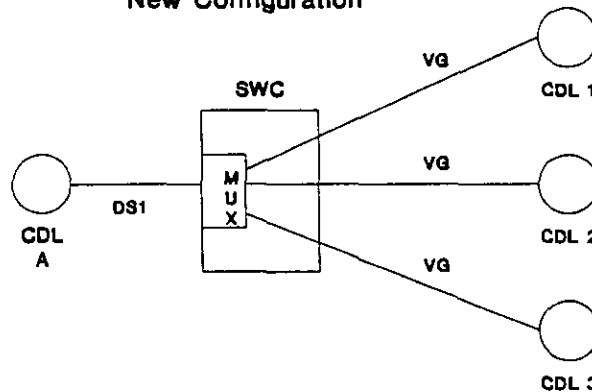
Current Configuration



The customer requests the installation of a DS1 between the serving wire center (SWC) and CDL A and a DS1/voice multiplexer in the SWC. The customer also requests that the voiceband circuits serving CDLs 1, 2, and 3 be "rolled over" to the new DS1. All NRCs apply for the installation of the DS1 and multiplexer. No NRCs apply for the voiceband roll overs to the new high capacity circuit.

ROLLOVER -EXAMPLE 2

New Configuration



FILED

APR 1 1996
95-163

MO. PUBLIC SERVICE COM.

Issued: February 7, 1996

Effective: April 1, 1996

Kenneth Matzdorff
President
Peculiar, Missouri

CANCELLED
February 19, 2018
Missouri Public
Service Commission
TN-2018-0198; JI-2018-0088

FACILITIES FOR INTRASTATE ACCESS

RECEIVED

5. SPECIAL ACCESS (Cont'd)

FEB 7 1996

5.6 Rate Regulations (Cont'd)

MISSOURI
Public Service Commission

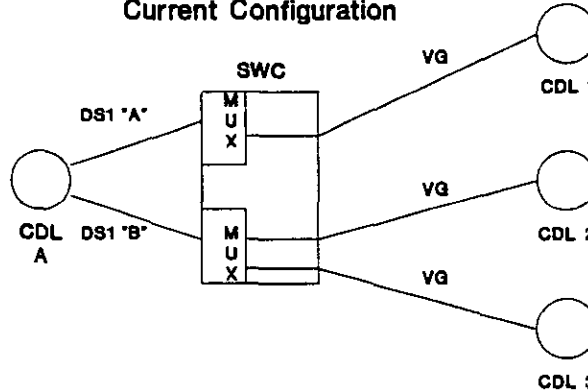
5.6.1 Types of Rates and Charges (Cont'd)

(D) Nonrecurring Charges (Cont'd)

(8) Service Rearrangements (Cont'd)

GROOMING -EXAMPLE 1

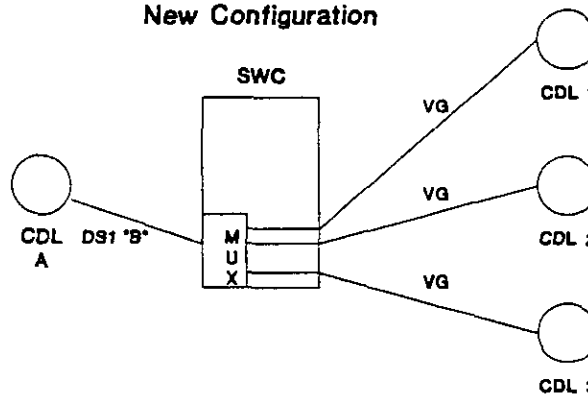
Current Configuration



The customer requests that the voiceband (VG) circuit serving CDL 1 be moved from the DS1 "A" circuit to the DS1 "B" circuit. No NRCs apply for this request.

GROOMING -EXAMPLE 1

New Configuration



FILED

APR 1 1996
95-163

MISSOURI PUBLIC SERVICE COMMISSION

Issued: February 7, 1996

Effective: April 1, 1996

Kenneth Matzdorff
President
Peculiar, Missouri

CANCELLED
February 19, 2018
Missouri Public
Service Commission
TN-2018-0198; JI-2018-0088

RECEIVED

FACILITIES FOR INTRASTATE ACCESS

FEB 7 1996

MISSOURI
Public Service Commission

5. SPECIAL ACCESS (Cont'd)

5.6 Rate Regulations (Cont'd)

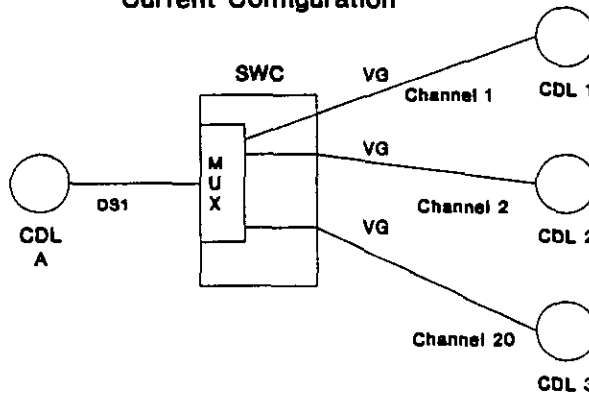
5.6.1 Types of Rates and Charges (Cont'd)

(D) Nonrecurring Charges (Cont'd)

(8) Service Rearrangements (Cont'd)

GROOMING -EXAMPLE 2

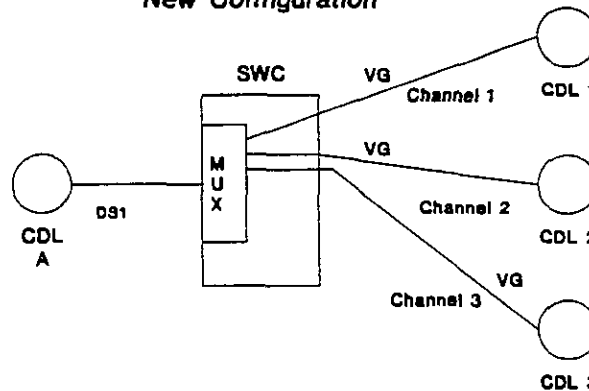
Current Configuration



The customer requests that the voiceband circuit serving CDL 3 be moved from channel 20 in the DS1 serving CDL A to Channel 3 in the same DS1. No NRCs apply for this request.

GROOMING -EXAMPLE 2

New Configuration



FILED

APR 1 1996

95-163

MISSOURI PUBLIC SERVICE COMMISSION

If the change involves reterminations other than Rollovers and/or Grooming, then the Subsequent Ordering Charge - Special Access will apply plus all NRCs associated with the installation of the lower capacity service.

In cases where multiple service rearrangements or an additional termination or a move and a service rearrangement are requested on a single ASR, the total charge will never exceed the full nonrecurring charge for the basic service.

Kenneth Matzdorff
President
Peculiar, Missouri

CANCELLED
February 19, 2018
Missouri Public
Service Commission
TN-2018-0198; JI-2018-0088

FACILITIES FOR INTRASTATE ACCESS

RECEIVED

FEB 7 1996

MISSOURI
Public Service Commission

5. SPECIAL ACCESS (Cont'd)

5.6 Rate Regulations (Cont'd)

5.6.2 Minimum Periods

Special Access is provided for a specified minimum period. Minimum periods and minimum period charges are described in Section 3 preceding.

5.6.3 Mileage Measurement

The mileage to be used to determine the monthly rate for the Special Transport is calculated on the airline distance between the serving wire centers involved (i.e., CDL serving wire center or Hub Wire Center or WATS Serving Office). Where the calculated miles include a fraction, the value is always rounded up to the next full mile. Where the calculated value is zero, no Special Transport mileage is charged.

When there is a Hub Wire Center involved, the Special Transport mileage will be measured from the Hub Wire Center to the serving wire centers of each of the CDLs connected to the hubbed facilities. Mileage is computed for each section and rates are applied accordingly. However, when a Special Access facility is routed through a Hub Wire Center for purposes other than customer specified such as bridging or multiplexing (e.g. the Telephone Company chooses to so route for test access purposes), rates will be applied only to the distance calculated between the wire centers serving the CDLs.

The rates for the mileage are applied per airline mile. The serving wire center V&H coordinates and the method of calculation are specified in the ECA Tariff FCC No. 4.*

5.6.4 Moves

A move involves a change in the physical location of the point of termination of Special Access. A move normally involves an interruption of Special Access for the period required to complete the move. No credit allowance will be granted for that period. Special Construction as set forth in Section 10 may also be applicable at the different CDL.

A customer may request that Special Access not be interrupted during a move. To comply with that request, it may be necessary to install a duplicate Special Access, and subsequently discontinue the existing Special Access. Charges, monthly and nonrecurring, will apply for the duplicate Special Access. A new minimum period will be established for the duplicate portion of the Special Access, depending on which end of the Special Access is moved. The customer will remain responsible for all minimum period charges associated with the corresponding portion of the disconnected Special Access.

The charge for the move depends on whether the move is within the same CDL or to a different CDL.

(A) Same CDL

When the move of a termination of FIA, as defined in Section 2.1.5, for special access is to a new point within the same CDL (same address and/or same building), the charge for the move will be the Subsequent Ordering Charge - Special Access plus one half the appropriate installation charge for the portion of the service being reterminated. There will be no change in the minimum period requirements.

FILED

APR 1 1996
95 - 163

MISSOURI PUBLIC SERVICE COMMISSION

* For intraLATA LEC to LEC traffic, percentages of ownership will be determined by the V&H coordinates located in the Missouri PTC Plan IntraLATA Database.

Issued: February 7, 1996

Effective: April 1, 1996

Kenneth Matzdorff
President
Peculiar, Missouri

CANCELLED
February 19, 2018
Missouri Public
Service Commission
TN-2018-0198; JI-2018-0088

FACILITIES FOR INTRASTATE ACCESS

RECEIVED

5. SPECIAL ACCESS (Cont'd)

FEB 7 1996

5.6 Rate Regulations (Cont'd)

MISSOURI
Public Service Commission

5.6.4 Moves (Cont'd)

(B) Different CDL

- (1) When the move is to a different CDL (different address and different building), except as specified below, it will be treated as a disconnect and an installation of service. The Initial Ordering Charge - Special Access will apply plus the appropriate service installation charge for the service termination(s) affected. A new minimum period will be established for the installed Special Access Service. The customer will remain responsible for all minimum period charges associated with the disconnected Special Access Service.
- (2) When the move is to a different CDL but served by the same serving wire center, the following conditions apply:
 - A change ASR will be required.
 - Subsequent Ordering Charge - Special Access will apply plus the appropriate service installation charge for the service termination(s) affected.

5.6.5 Rates and Charges on an Individual Case Basis

(A) The monthly rates and nonrecurring charges for the following service offerings will be developed on an Individual Case Basis:

- Full-time Videoband - Type I Facilities
- High Capacity Digital DS1C (3.152 Mbps) Special Access Lines
- High Capacity Digital DS3 (44.736 Mbps) Facilities
- High Capacity Digital DS3C (89.472 Mbps) Facilities

(B) The monthly rates and nonrecurring charges for the following Multiplexing Arrangements will be developed on an Individual Case Basis:

- Group to Voice
- Supergroup to Group
- Mastergroup to Supergroup
- DS3 to DS1
- DS3C to DS1
- Group to DS1

FILED

APR 1 1996
95 - 163

MISSOURI PUBLIC SERVICE COMMISSION

Issued: February 7, 1996

Effective: April 1, 1996

Kenneth Matzdorff
President
Peculiar, Missouri

CANCELLED
February 19, 2018
Missouri Public
Service Commission
TN-2018-0198; JI-2018-0088

FACILITIES FOR INTRASTATE ACCESS

RECEIVED

5. SPECIAL ACCESS (Cont'd)

FEB 7 1996

5.6 Rate Regulations (Cont'd)

MISSOURI
Public Service Commission

5.6.6 Hub Wire Centers

A Hub Wire Center is a Telephone Company designated serving wire center at which bridging or multiplexing arrangements are provided. Bridging is used to connect three or more CDLs in a multipoint arrangement. The multiplexing arrangements channelize analog or digital facilities to individual services requiring a lower capacity or bandwidth.

Although Hub Wire Centers are defined as serving wire centers at which bridging or multiplexing arrangements are performed, they are not limited to providing these functions and may provide any other types of Special Access services offered in this tariff. For example, the Telephone Company will designate certain Hub Wire Centers for Program Audio service offerings.

The Telephone Company will designate the Hub Wire Center locations. Different locations may be designated as Hub Wire Centers for different functions, such as bridging or multiplexing arrangements, for different facility capacities (e.g., multiplexing from digital to digital may occur at one wire center while multiplexing from digital to analog may occur at a different wire center). The location of Hub Wire Centers and the types of hubbing functions offered at that location are identified in the NECA Tariff FCC No. 4.

Some of the types of multiplexing provided include the following:

- from higher to lower bit rate,
- from higher to lower bandwidth,
- from digital to voice grade service.

The transmission performance for the end to end Special Access provided from CDLs will be that of the lower capacity or bit rate. For example, when a DS1 Special Access is multiplexed to voice frequency circuits, the transmission performance will be Voiceband, not High Capacity.

The Telephone Company will commence billing the monthly rate for the Special Access Line and Special Transport for the High Capacity facility to the Hub Wire Center as of the service date, even though individual services utilizing those facilities may not be installed until a later date. If the customer has designated the type of multiplexing to be provided with the High Capacity facility, the nonrecurring charge for the Multiplexing Arrangement will be billed to the same customer at that same time, and the billing for the monthly rate will begin.

Individual Special Access rates (by Special Access type) will apply for the Special Access Line and additional Special Transport facilities (if required) for each channelized Special Access. These will be billed to the customer specified on the ASR as each individual Special Access is installed.

A customer may order full-time and/or part-time Program Audio Services between two CDLs, or between a CDL and a Hub Wire Center, and will be billed accordingly at the rates set forth in Sections 5.7.3(A), 5.7.3(B), 5.7.3(C), and 5.7.3(D) following.

FILED

APR 1 1996
9 5 - 1 6 3

MO. PUBLIC SERVICE COMMISSION

Issued: February 7, 1996

Effective: April 1, 1996

Kenneth Matzdorff
President
Peculiar, Missouri

CANCELLED
February 19, 2018
Missouri Public
Service Commission
TN-2018-0198; JI-2018-0088

RECEIVED

FACILITIES FOR INTRASTATE ACCESS

FEB 7 1996

MISSOURI
Public Service Commission

5. SPECIAL ACCESS (Cont'd)

5.6 Rate Regulations (Cont'd)

5.6.6 Hub Wire Centers (Cont'd)

At the request of the customer, the full-time and/or part-time services provided to a Hub Wire Center may be connected together in the following configurations: full-time to full-time, full-time to part-time, or part-time to part-time.

The rates that apply for Program Audio Services between each CDL and the Hub Wire Center are Special Transport, if applicable, and Special Access Line. In addition, rates for Supplemental Features and Inside Wiring may be applicable.

5.6.7 Shared Use Analog and Digital High Capacity Services

(A) Shared use occurs when Special Access Service and Switched Access Service are provided over the same digital high capacity facility through a common interface. Shared use refers to the service arrangement where the customer orders a digital high capacity facility between a CDL and the Hub Wire Center where the Telephone Company performs multiplexing functions and the customer then orders the derived channels as Special and Switched Access services.

The shared use facility will be ordered, provided and rated as Special Access Service (i.e., Special Access Line, Special Transport and Special Transport Termination, as appropriate, and Multiplexer). The nonrecurring charge that applies when the shared use facility is installed will be the nonrecurring charge associated with the appropriate High Capacity Special Access Line. When the customer orders derived channels as Switched or Special, the nonrecurring charges applicable to those individual services will be assessed. The rate elements associated with the high capacity facility and multiplexer will be billed to one customer. The rate elements associated with each individual channel may be billed to a different customer.

Rating as Special Access will continue until such time as a portion of the available capacity for providing Special Access Service is used to provide Switched Access Service. As each individual channel is activated for Switched Access Service, the Special Access Line, Special Transport and Special Transport Termination as appropriate, and Multiplexer, will be reduced based on their rates and capacity, accordingly, (i.e., 1/24th for a DS1 Service). Switched Access Minimum Capacity Requirements as set forth in 3.5 preceding will not apply. The customer must submit an ASR for each individual Switched or Special Access Service utilizing the shared use facility and specify the channel assignment (CFA) for each service. The customer for the individual Switched Access and Special Access Services may be different.

(B) Switched Access Service rates and charges as set forth in Section 4 preceding will apply for each derived channel of the shared use facility that is used to provide Switched Access Service. Where Special Access Service is provided utilizing a channel of the shared use facility to the hub, High Capacity Special Access rates will apply for the facility to the hub as set forth preceding and individual service rates will apply from the hub to the terminating customer designated location. The rates that will apply to the portion from the hub to the terminating customer designated location will be dependent on the specific type of Special Access Service that is provided (i.e., Voice Grade). The applicable rates will include a Special Access Line and Special Transport, if applicable. Rates for optional features and functions, if any, associated with the service will also apply.

5.6.8 (Reserved for Future Use)

FILED

APR 1 1996
9 5 - 1 6 3

MISSOURI PUBLIC SERVICE COMMISSION

Issued: February 7, 1996

Effective: April 1, 1996

Kenneth Matzdorff
President
Peculiar, Missouri

CANCELLED
February 19, 2018
Missouri Public
Service Commission
TN-2018-0198; JI-2018-0088

FACILITIES FOR INTRASTATE ACCESS

RECEIVED

5. SPECIAL ACCESS (Cont'd)

FEB 7 1996

5.6 Rate Regulations (Cont'd)

MISSOURI
Public Service Commission

5.6.9 Special Access Surcharge (USOC - S25)

Pending the development of techniques to accurately measure usage of local facilities which are interconnected by users by means of intrastate or foreign telecommunications, a surcharge of \$25.00 per service per month will be assessed to a two point Special Access Service, and to each additional Special Access Line when the service is configured as multipoint. The Special Access Surcharge will also be assessed upon Wideband Analog, High Capacity Digital and FT1 Services on a voiceband equivalent basis. The voiceband equivalency for these type services is as follows:

- High Capacity DS1 equates to 24 Voiceband Facilities
- High Capacity DS1C equates to 48 Voiceband Facilities
- High Capacity DS3 equates to 672 Voiceband Facilities
- High Capacity DS3C equates to 1344 Voiceband Facilities
- Wideband Group equates to 12 Voiceband Facilities
- Wideband Supergroup equates to 60 Voiceband Facilities
- Wideband Mastergroup equates to 600 Voiceband Facilities

The Special Access Service will be exempted from the monthly surcharge if the customer provides the Telephone Company written certification that the termination is one of the following: (USOC - S25EX)

- (1) The open end termination (dial tone end) of a Foreign Central Office Line, Common Control Switching Arrangement (or equivalent) or Off Network Access Line (ONAL).
- (2) Any termination of an analog circuit used for radio or television program transmission.
- (3) Any termination of a line used for telex service.
- (4) Any termination of a line by nature of its operating characteristics and nature of connection could not make use of common lines.
- (5) Any line termination, other than (1) through (4) preceding, which is subject to the following charges: (a) Carrier Common Line, (b) End Office Switching, and (c) Switched Transport.
- (6) A termination that the customer certifies to the Telephone Company is not connected to a PBX or other device capable of interconnecting the Special Access Service to the local network. If the PBX or other device has been configured either through software programming or physical restrictions not to access the local network, then the customer may file the surcharge exemption for the Special Access Service terminating on this equipment.

FILED

APR 1 1996

95 - 163

MISSOURI PUBLIC SERVICE COMMISSION

Issued: February 7, 1996

Effective: April 1, 1996

Kenneth Matzdorff
President
Peculiar, Missouri

CANCELLED
February 19, 2018
Missouri Public
Service Commission
TN-2018-0198; JI-2018-0088

FACILITIES FOR INTRASTATE ACCESS

RECEIVED

5. SPECIAL ACCESS (Cont'd)

FEB 7 1996

5.6 Rate Regulations (Cont'd)

5.6.9 Special Access Surcharge (Cont'd)

MISSOURI
Public Service Commission

In order for the Telephone Company to determine the application of the surcharge with respect to specific services, the customer must report the intended use of all services when placing ASRS for Special Access Service. In addition, when ordering High Capacity Analog or Digital services, the customer must report the use for each voice equivalent circuit of the high capacity service. When any circuit is reported wholly used in any manner described in (1) through (6) preceding, the surcharge will not apply. If the intended use is not reported, the surcharge will apply.

If, at any time after the installation of a service which is subject to the surcharge, the customer reports that the service is being used consistently with any exception listed above, the Telephone Company will credit the customer for the surcharge. Credit will not be given beyond the receipt date of the certification for exemption.

5.6.10 Message Station Equipment Recovery Charge (USOC - UTM)

Message Station Equipment Recovery Charge is a charge to recover that portion of message station equipment which is assigned to Special Access Service. Since there is zero cost assigned to Message Station Equipment Recovery in Special Access the charge is \$.00.

5.6.11 (Reserved for Future Use)

5.6.12 (Reserved for Future Use)

5.6.13 (Reserved for Future Use)

5.6.14 (Reserved for Future Use)

5.6.15 (Reserved for Future Use)

FILED

APR 1 1996
95 - 163

MO. PUBLIC SERVICE COM.

Issued: February 7, 1996

Effective: April 1, 1996

Kenneth Matzdorff
President
Peculiar, Missouri

CANCELLED
February 19, 2018
Missouri Public
Service Commission
TN-2018-0198; JI-2018-0088

FACILITIES FOR INTRASTATE ACCESS

RECEIVED

5. SPECIAL ACCESS (Cont'd)

FEB 7 1996

5.6 Rate Regulations (Cont'd)

MISSOURI
Public Service Commission

5.6.16 MetroLAN Special Transport

(A) Description

MetroLAN Special Transport (MetroLAN) provides DS1 transport between two or more serving wire centers located on Telephone Company fiber optic facilities. MetroLAN transport is provided at a flat-rate per month charge per DS1 transport facility, regardless of the number of miles the circuit is routed on the designated MetroLAN fiber facilities.

MetroLAN is only available when purchased with a BPS access service.

(B) Conversion of Existing DS1 Transport

Current DS1 transport can be replaced by MetroLAN. Customers must submit an ASR to convert the existing DS1 transport to MetroLAN.

(C) (Reserved for Future Use)

(D) Discontinuance of Service

If a DS1 SAL is discontinued, DS1 transport for the MetroLAN transport portion of the circuit is also discontinued.

MetroLAN transport may be converted to standard special access transport rates (i.e., per airline mile) at any time at no charge.

(E) Continuation of Service Off the Ring

MetroLAN DS1 circuits can be routed any distance on a MetroLAN. When the DS1 circuit leaves the MetroLAN for continuation on the network, normal tariff rates will be assessed for the portion of the route not on the MetroLAN.

(F) (Reserved for Future Use)

(G) (Reserved for Future Use)

(H) Service Availability

MetroLAN DS1 transport is available to all DS1 customers in the Telephone Company serving areas where facilities are available.

FILED

APR 1 1996
9 5 - 1 6 3

MISSOURI PUBLIC SERVICE COMMISSION

Issued: February 7, 1996

Effective: April 1, 1996

Kenneth Matzdorff
President
Peculiar, Missouri

CANCELLED
February 19, 2018
Missouri Public
Service Commission
TN-2018-0198; JI-2018-0088

FACILITIES FOR INTRASTATE ACCESS

RECEIVED

5. SPECIAL ACCESS (Cont'd)

FEB 7 1996

5.7 Rates and Charges

MISSOURI
Public Service Commission

5.7.1 Nonrecurring Charges

Special Access Ordering Charges

(USOC)	<u>Initial Order</u> (SESCL)	<u>Subsequent Order</u> (SESBX)	<u>Design Change</u> <u>Per ASR/Per Occurrence</u> (H28)
	\$ 0.00	\$ 0.00	\$26.21

Service Installation Charges

	<u>Per SAL</u>
Voiceband Facilities	\$ 78.05
Program Audio Facilities	49.20
High Capacity Digital Facilities DS1 (1.544 Mbps)	404.51
Temporary Videoband Facilities	None
Digital Data Service Facilities	
2.4 Kbps	148.00
4.8 Kbps	148.00
9.6 Kbps	148.00
56 Kbps	224.00

FILED

APR 1 1996
95 - 163

MISSOURI PUBLIC SERVICE COMMISSION

* Nonrecurring charge is applicable on a monthly or daily basis.

Issued: February 7, 1996

Effective: April 1, 1996

Kenneth Matzdorff
President
Peculiar, Missouri

CANCELLED
February 19, 2018
Missouri Public
Service Commission
TN-2018-0198; JI-2018-0088

FACILITIES FOR INTRASTATE ACCESS

RECEIVED

5. SPECIAL ACCESS (Cont'd)

FEB 7 1996

5.7 Rates and Charges (Cont'd)

MISSOURI
Public Service Commission

5.7.2 Voiceband Facilities

(A) Standard Arrangements

(USOC)	<u>Special Transport</u> <u>(Per Airline Mile)</u>	<u>Special Access Line</u>		<u>Special Transport Termination</u>
	<u>Monthly Rate</u> (1L5XX)	<u>Two-Wire</u> <u>Monthly Rate</u> (TMB2X)	<u>Four-Wire</u> <u>Monthly Rate</u> (TMB4X)	<u>Monthly Rate</u> (1L5XX)
	\$ 2.53	\$29.13	\$58.26	\$27.19

FILED

APR 1 1996
95 - 163

MISSOURI PUBLIC SERVICE COMMISSION

Issued: February 7, 1996

Effective: April 1, 1996

Kenneth Matzdorff
President
Peculiar, Missouri

CANCELLED
February 19, 2018
Missouri Public
Service Commission
TN-2018-0198; JI-2018-0088

FACILITIES FOR INTRASTATE ACCESS

RECEIVED

5. SPECIAL ACCESS (Cont'd)

FEB 7 1996

(RESERVED FOR FUTURE USE)

MISSOURI
Public Service Commission

FILED

APR 1 1996

95 - 163

MO. PUBLIC SERVICE COMM.

Issued: February 7, 1996

Effective: April 1, 1996

Kenneth Matzdorff
President
Peculiar, Missouri

CANCELLED
February 19, 2018
Missouri Public
Service Commission
TN-2018-0198; JI-2018-0088

FACILITIES FOR INTRASTATE ACCESS

RECEIVED

FEB 7 1996

5. SPECIAL ACCESS (Cont'd)

MISSOURI
Public Service Commission

(RESERVED FOR FUTURE USE)

FILED

APR 1 1996

MO. PUBLIC SERVICE COMMA
95 - 163

Issued: February 7, 1996

Effective: April 1, 1996

Kenneth Matzdorff
President
Peculiar, Missouri

CANCELLED
February 19, 2018
Missouri Public
Service Commission
TN-2018-0198; JI-2018-0088

FACILITIES FOR INTRASTATE ACCESS

5. SPECIAL ACCESS (Cont'd)

RECEIVED

FEB 7 1996

(RESERVED FOR FUTURE USE)

MISSOURI
Public Service Commission

FILED

APR 1 1996

95 - 163

MISSOURI PUBLIC SERVICE COMMISSION

Issued: February 7, 1996

Effective: April 1, 1996

Kenneth Matzdorff
President
Peculiar, Missouri

CANCELLED
February 19, 2018
Missouri Public
Service Commission
TN-2018-0198; JI-2018-0088

FACILITIES FOR INTRASTATE ACCESS

RECEIVED

5. SPECIAL ACCESS (Cont'd)

5.7 Rates and Charges (Cont'd)

FEB 7 1996

5.7.2 Voiceband Facilities (Cont'd)

(B) Optional Arrangements (Cont'd)

MISSOURI
Public Service Commission

		<u>Supplemental Features</u>			
		<u>Multi-Point Data Bridging (Per Port)</u>		<u>Voice Conference Bridging (Per Port)</u>	
(USOC)	Nonrecurring Charge	Monthly Rate (BCND2) (BCND4)	Nonrecurring Charge	Monthly Rate (BCNV2) (BCNV4)	
	\$.00	\$ 3.82	\$.00	\$ 3.82	

		<u>Supplemental Features</u>	
		<u>Telephoto Bridging (Per Port)</u>	
(USOC)	Nonrecurring Charge	Monthly Rate (BCNF2) (BCNF4)	
	\$.00	\$ 3.82	

		<u>Supplemental Features</u>			
		<u>Conditioning Arrangements - Data</u>			
(USOC)	Nonrecurring Charge	Type C Monthly Rate (XICPT)	Nonrecurring Charge	Type DA Monthly Rate (XDCPT)	
	\$.00	\$ 5.69	\$234.00	\$ 1.27	

		<u>Supplemental Features</u>			
		<u>Telemetry and Alarm Bridging (Per Circuit)</u>			
(USOC)	Nonrecurring Charge	Splic Band Monthly Rate (CNLRX)	Nonrecurring Charge	Summarion Monthly Rate (BCNSA)	
	\$.00	\$ 8.04	\$.00	\$ 1.37	

		<u>Supplemental Features</u>	
		<u>Telemetry and Alarm Bridging (Per Circuit)</u>	
(USOC)	Nonrecurring Charge	Passive Bridging Circuit Connections Monthly Rate (BCVTP)	
	\$.00	\$ 0.20	

		<u>Supplemental Features</u>			
		<u>Signaling Capability Per Point of Termination</u>		<u>Selective Signaling Per Arrangement</u>	
(USOC)	Nonrecurring Charge	Monthly Rate (XSS++)	Nonrecurring Charge	Monthly Rate (USZ)	
	\$.00	\$13.14	\$.00	\$14.05	

FILED

APR 1 1996
95 - 163

MO. PUBLIC SERVICE COMMISSION

FACILITIES FOR INTRASTATE ACCESS

RECEIVED

FEB 7 1996

MISSOURI
Public Service Commission

5. SPECIAL ACCESS (Cont'd)

5.7 Rates and Charges (Cont'd)

5.7.2 Voiceband Facilities (Cont'd)

(B) Optional Arrangements (Cont'd)

<u>Supplemental Features</u>				
<u>Dataphone Select-a-Station Bridging - Addressable</u>				
	<u>Each Four-Wire Port</u>		<u>Each Two-Wire Port</u>	
(USOC)	Nonrecurring <u>Charge</u>	Monthly <u>Rate</u> (KQ4)	Nonrecurring <u>Charge</u>	Monthly <u>Rate</u> (KQ2)
	\$.00	\$115.88	\$.00	\$ 22.76

<u>Supplemental Features</u>				
<u>Dataphone Select-a-Station Bridging - Sequential</u>				
	<u>Each Four-Wire Port</u>		<u>Each Two-Wire Port</u>	
(USOC)	Nonrecurring <u>Charge</u> (DQ4)	Monthly <u>Rate</u>	Nonrecurring <u>Charge</u> (DQ2)	Monthly <u>Rate</u>
	\$.00	\$112.80	\$.00	\$ 21.23

<u>Supplemental Features</u>	
<u>Improved Return Loss, Per SAL</u>	
(USOC)	Nonrecurring <u>Charge</u> (1RL2W)
	\$.00
	Monthly <u>Rate</u> (1RL4W)
	\$ 1.69

<u>Supplemental Features</u>	
<u>Telephoto Capability, Per SAL</u>	
(USOC)	Nonrecurring <u>Charge</u> (XTCPT)
	\$234.00
	Monthly <u>Rate</u>
	\$ 2.81

FILED

APR 1 1996
95 - 163

MO. PUBLIC SERVICE COMMISSION

FACILITIES FOR INTRASTATE ACCESS

RECEIVED

FEB 7 1996

MISSOURI
Public Service Commission

5. SPECIAL ACCESS (Cont'd)

5.7 Rates and Charges (Cont'd)

5.7.3 Program Audio Facilities

(A) Standard Arrangements - (200-3500 Hz)

(USOC)	Special Transport (Per Airline Mile)			Special Transport Termination	
	Mileage Band	Monthly Rate (1L5XX)	Daily Rate (1L5XX)	Monthly Rate (1L5XX)	Daily Rate (1L5XX)
	0	None	None	None	None
	Over 0 to 4	\$ 3.65	\$.17	\$ 17.93	\$ 1.79
	Over 4 to 8	3.47	.35	18.65	1.87
	Over 8 to 25	3.20	.32	20.86	2.09
	Over 25 to 50	2.56	.26	36.71	3.67
	Over 50	2.56	.26	36.71	3.67

(USOC)	Special Access Line	
	Monthly Rate (TMECS)	Daily Rate (TMECS)
	\$20.06	\$ 2.01

(B) Standard Arrangements - (100-5000 Hz)

(USOC)	Special Transport (Per Airline Mile)			Special Transport Termination	
	Mileage Band	Monthly Rate (1L5XX)	Daily Rate (1L5XX)	Monthly Rate (1L5XX)	Daily Rate (1L5XX)
	0	None	None	None	None
	Over 0 to 4	\$ 5.53	\$.55	\$ 20.75	\$ 2.08
	Over 4 to 8	5.53	.55	20.75	2.08
	Over 8 to 25	4.83	.48	26.37	2.24
	Over 25 to 50	4.17	.42	42.72	4.27
	Over 50	4.07	.41	48.16	4.82

(USOC)	Special Access Line	
	Monthly Rate (TMECS)	Daily Rate (TMECS)
	\$40.03	\$ 3.99

FILED

APR 1 1996
95 - 163

MO. PUBLIC SERVICE COMMISSION

Issued: February 7, 1996

Effective: April 1, 1996

Kenneth Matzdorff
President
Peculiar, Missouri

CANCELLED
February 19, 2018
Missouri Public
Service Commission
TN-2018-0198; JI-2018-0088

FACILITIES FOR INTRASTATE ACCESS

RECEIVED

FEB 7 1996

MISSOURI
Public Service Commission

5. SPECIAL ACCESS (Cont'd)

5.7 Rates and Charges (Cont'd)

5.7.3 Program Audio Facilities (Cont'd)

(C) Standard Arrangements - (50-8000 Hz)

(USOC)	<u>Special Transport (Per Airline Mile)</u>		<u>Special Transport Termination</u>		
	<u>Mileage Band</u>	<u>Monthly Rate</u> (1LSXX)	<u>Daily Rate</u> (1LSXX)	<u>Monthly Rate</u> (1LSXX)	<u>Daily Rate</u> (1LSXX)
	0	None	None	None	None
	Over 0 to 4	\$ 6.63	\$.66	\$ 25.47	\$ 2.55
	Over 4 to 8	6.63	.66	25.47	2.55
	Over 8 to 25	6.58	.66	25.87	2.59
	Over 25 to 50	5.57	.55	51.14	5.11
	Over 50	5.57	.55	51.14	5.11

(USOC)	<u>Special Access Line</u>	
	<u>Monthly Rate</u> (TMECS)	<u>Daily Rate</u> (TMECS)
	\$38.97	\$ 3.90

(D) Standard Arrangements - (50-15000 Hz)

(USOC)	<u>Special Transport (Per Airline Mile)</u>		<u>Special Access Line</u>	
	<u>Monthly Rate</u> (1LFSX)	<u>Daily Rate</u> (1LFSX)	<u>Monthly Rate</u> (EUCXX) (LCH)	<u>Daily Rate</u> (EUCXX) (LCH)
	\$89.61	\$ 8.96	\$47.83	\$ 4.78

(USOC)	<u>Special Transport (Per Airline Mile)</u>		<u>Special Transport Termination</u>		
	<u>Mileage Band</u>	<u>Monthly Rate</u> (1LSXX)	<u>Daily Rate</u> (1LSXX)	<u>Monthly Rate</u> (1LSXX)	<u>Daily Rate</u> (1LSXX)
	0	None	None	None	None
	Over 0 to 4	\$12.86	\$1.29	\$ 28.99	\$ 2.90
	Over 4 to 8	12.86	1.29	28.99	2.90
	Over 8 to 25	11.51	1.15	39.78	3.98
	Over 25 to 50	10.13	1.01	74.44	7.44
	Over 50	10.13	1.01	74.44	7.44

(USOC)	<u>Special Access Line</u>	
	<u>Monthly Rate</u> (TMECS)	<u>Daily Rate</u> (TMECS)
	\$60.42	\$ 6.04

FILED

APR 1 1996
95-163

MO. PUBLIC SERVICE COMMISSION

Issued: February 7, 1996

Effective: April 1, 1996

Kenneth Matzdorff
President
Peculiar, Missouri

CANCELLED
February 19, 2018
Missouri Public
Service Commission
TN-2018-0198; JI-2018-0088

FACILITIES FOR INTRASTATE ACCESS

RECEIVED

5. SPECIAL ACCESS (Cont'd)

FEB 7 1996

5.7 Rates and Charges (Cont'd)

5.7.3 Program Audio Facilities (Cont'd)

MISSOURI
Public Service Commission

(E) Optional Arrangements - (50-15000 Hz Facilities only)

<u>Supplemental Features</u>			
<u>Conditioning - Program Audio</u>			
<u>Stereo Conditioning, per occurrence</u>			
Nonrecurring	Monthly	Daily	
<u>Charge</u>	<u>Rate</u>	<u>Rate</u>	
(USOC)	(XSC)	(XSC)	
\$361.00	\$ 0.00	\$ 0.00	

(F) Optional Arrangements - (All Bandwidths)

<u>Supplemental Features</u>			
<u>Program Audio Bridging (Per Port)</u>			
Nonrecurring	Monthly	Daily	
<u>Charge</u>	<u>Rate</u>	<u>Rate</u>	
(USOC)	(BCNPT)	(BCNPT)	
\$.00	\$19.15	\$ 1.92	

FILED

APR 1 1996
95 - 163

MISSOURI PUBLIC SERVICE COMMISSION

Issued: February 7, 1996

Effective: April 1, 1996

Kenneth Matzdorff
President
Peculiar, Missouri

CANCELLED
February 19, 2018
Missouri Public
Service Commission
TN-2018-0198; JI-2018-0088

FACILITIES FOR INTRASTATE ACCESS

RECEIVED

5. SPECIAL ACCESS (Cont'd)

FEB 7 1996

5.7 Rates and Charges (Cont'd)

5.7.3 Program Audio Facilities (Cont'd)

(F) Optional Arrangements - (All Bandwidths) (Cont'd)

MISSOURI
Public Service Commission

(USOC)	<u>Supplemental Features</u>		
	<u>Conditioning-Program Audio-Zero Loss Per SAL</u>		
	<u>Nonrecurring Charge</u>	<u>Monthly Rate</u>	<u>Daily Rate</u>
		(XZB)	(XZB)
	\$ 164.00	\$ 5.69	\$.56

5.7.4. Videoband Facilities

(USOC)	<u>Special Transport (Per Airline Mile)</u>			<u>Special Transport Termination</u>	
	<u>Mileage Bands</u>	<u>Monthly Rate</u>	<u>Daily Rate</u>	<u>Monthly Rate</u>	<u>Daily Rate</u>
		(1L5XX)	(1L5XX)	(1L5XX)	(1L5XX)
	0	None	None	None	None
	Over 0 to 4	\$336.89	\$141.68	\$317.96	\$175.33
	Over 4 to 8	336.89	141.68	317.96	175.33
	Over 8 to 25	336.89	141.68	317.96	175.33
	Over 25 to 50	330.99	135.30	465.47	334.94
	Over 50	330.99	127.55	465.47	722.49

<u>Special Access Line</u>				
<u>Facility</u>	<u>USOC</u>	<u>Monthly Rate</u>	<u>Daily Rate</u>	
-TV-1 or 2	TMEV1	\$424.18	\$232.32	
-4TV-5	TMEV4	413.85	226.90	
-6TV-5	TMEV6	439.74	244.57	
-TV-15	TMEV5	456.42	369.09	

FILED

APR 1 1996
95-163
MO. PUBLIC SERVICE COM.

Issued: February 7, 1996

Effective: April 1, 1996

Kenneth Matzdorff
President
Peculiar, Missouri

CANCELLED
February 19, 2018
Missouri Public
Service Commission
TN-2018-0198; JI-2018-0088

FACILITIES FOR INTRASTATE ACCESS

RECEIVED

5. SPECIAL ACCESS (Cont'd)

FEB 7 1996

5.7 Rates and Charges (Cont'd)

MISSOURI
Public Service Commission

5.7.5 Digital Data Service Facilities
(2.4, 4.8, 9.6, 56 Kbps)

(A) Standard Arrangements

	<u>Special Transport (Per Airline Mile)</u>		<u>Special Transport Termination</u> <u>2.4, 4.8 Kbps</u>	
(USOC)	<u>Mileage Bands</u>	<u>Monthly Rate</u> (1L5XX)		<u>Monthly Rate</u> (1L5XX)
	0	None		None
	Over 0 to 4	\$ 2.93		\$ 72.28
	Over 4 to 8	2.93		72.28
	Over 8 to 25	2.35		76.87
	Over 25 to 50	1.29		103.59
	Over 50	1.29		103.59
	<u>Special Access Line</u> <u>2.4, 4.8 Kbps</u>			
(USOC)		<u>Monthly Rate</u> (TMECS)		
		\$70.13		

	<u>Special Transport (Per Airline Mile)</u>		<u>Special Transport Termination</u> <u>9.6 Kbps</u>	
(USOC)	<u>Mileage Bands</u>	<u>Monthly Rate</u> (1L5XX)		<u>Monthly Rate</u> (1L5XX)
	0	None		None
	Over 0 to 4	\$ 2.85		\$ 85.20
	Over 4 to 8	2.85		85.20
	Over 8 to 25	2.21		90.35
	Over 25 to 50	1.20		115.59
	Over 50	1.20		115.59
	<u>Special Access Line</u> <u>9.6 Kbps</u>			
(USOC)		<u>Monthly Rate</u> (TMECS)		
		\$70.13		

FILED

APR 1 1996
95-163

MO. PUBLIC SERVICE COMMISSION

Issued: February 7, 1996

Effective: April 1, 1996

Kenneth Matzdorff
President
Peculiar, Missouri

CANCELLED
February 19, 2018
Missouri Public
Service Commission
TN-2018-0198; JI-2018-0088

FACILITIES FOR INTRASTATE ACCESS

RECEIVED

5. SPECIAL ACCESS (Cont'd)

FEB 7 1996

5.7 Rates and Charges (Cont'd)

MISSOURI
Public Service Commission

5.7.5 Digital Data Service Facilities (Cont'd)
(2.4, 4.8, 9.6, 56 Kbps)

(A) Standard Arrangements (Cont'd)

(USOC)	<u>Special Transport (Per Airline Mile)</u>		<u>Special Transport Termination</u>
	<u>Mileage Bands</u>	<u>56 Kbps Monthly Rate (1L5XX)</u>	<u>Monthly Rate (1L5XX)</u>
	0	None	None
	Over 0 to 4	\$ 9.93	\$150.19
	Over 4 to 8	5.25	169.19
	Over 8 to 25	3.87	179.85
	Over 25 to 50	2.21	221.42
	Over 50	2.21	221.42

(USOC)	<u>Special Access Line</u>
	<u>56 Kbps</u>
	<u>Monthly Rate</u>
	<u>(TMECS)</u>
	\$105.93

(B) Optional Arrangements

(USOC)	<u>Supplemental Features</u>	
	<u>Nonrecurring Charge</u>	<u>Monthly Rate</u>
	<u>(BCNDA)</u>	<u>(BCNDA)</u>
	\$.00	\$23.77

FILED

APR 1 1996

95-163

MISSOURI PUBLIC SERVICE COMMISSION

Issued: February 7, 1996

Effective: April 1, 1996

Kenneth Matzdorff
President
Peculiar, Missouri

CANCELLED
February 19, 2018
Missouri Public
Service Commission
TN-2018-0198; JI-2018-0088

FACILITIES FOR INTRASTATE ACCESS

RECEIVED

5. SPECIAL ACCESS (Cont'd)

FEB 7 1996

5.7 Rates and Charges (Cont'd)

5.7.6 Multiplexing Arrangements

MISSOURI
Public Service Commission

(RESERVED FOR FUTURE USE)

FILED

APR 1 1996
95-163

MISSOURI PUBLIC SERVICE COMMISSION

Issued: February 7, 1996

Effective: April 1, 1996

Kenneth Matzdorff
President
Peculiar, Missouri

CANCELLED
February 19, 2018
Missouri Public
Service Commission
TN-2018-0198; JI-2018-0088

FACILITIES FOR INTRASTATE ACCESS

RECEIVED

5. SPECIAL ACCESS (Cont'd)

FEB 7 1996

5.7 Rates and Charges (Cont'd)

5.7.6 Multiplexing Arrangements (Cont'd)

MISSOURI
Public Service Commission

		<u>Voice to Narrowband</u>		<u>DS1 to Voice</u>	
(USOC)	<u>Nonrecurring Charge</u>	<u>Monthly Rate</u> (MOX)	<u>Nonrecurring Charge</u>	<u>Monthly Rate</u> (MQ1)	
	\$.00	\$216.75	\$.00	\$317.99	
		<u>DS1 to DS0</u>		<u>DS1C to DS1</u>	
(USOC)	<u>Nonrecurring Charge</u>	<u>Monthly Rate</u> (QMU)	<u>Nonrecurring Charge</u>	<u>Monthly Rate</u> (MXH)	
	\$.00	\$551.32	\$.00	ICB	
		<u>Digital Data Subrate Multiplexer</u>			
		<u>Up to Twenty 2.4 Kbps</u>		<u>Up to Ten 4.8 Kbps</u>	
(USOC)	<u>Nonrecurring Charge</u>	<u>Monthly Rate</u> (QSU24)	<u>Nonrecurring Charge</u>	<u>Monthly Rate</u> (QSU48)	
	\$.00	\$450.88	\$.00	\$232.39	
		<u>Digital Data Subrate Multiplexer</u>			
		<u>Up to Five 9.6 Kbps</u>			
(USOC)	<u>Nonrecurring Charge</u>	<u>Monthly Rate</u> (QSU96)	<u>Nonrecurring Charge</u>	<u>Monthly Rate</u> (QSU96)	
		\$.00		\$161.56	

FILED

APR 1 1996
95 - 163

MISSOURI PUBLIC SERVICE COMMISSION

Issued: February 7, 1996

Effective: April 1, 1996

Kenneth Matzdorff
President
Peculiar, Missouri

CANCELLED
February 19, 2018
Missouri Public
Service Commission
TN-2018-0198; JI-2018-0088

FACILITIES FOR INTRASTATE ACCESS

RECEIVED

5. SPECIAL ACCESS (Cont'd)

FEB 7 1996

5.7 Rates and Charges (Cont'd)

MISSOURI
Public Service Commission

5.7.7 High Capacity Digital DS1 (1.544 Mbps) Facilities

(A) Standard Arrangements

	<u>Special Access Line</u>	
	<u>Nonrecurring</u>	<u>Monthly</u>
(USOC)	<u>Charge</u>	<u>Rate</u>
		(TMECS)
	\$404.51	\$459.07

	<u>Special Transport Termination</u>	<u>Special Transport (Per Airline Mile)</u>
	<u>Monthly Rate</u>	<u>Monthly</u>
(USOC)	(TRG)	(1LSXX)
	\$169.82	\$ 33.19

FILED

APR 1 1996
95-163

MO. PUBLIC SERVICE COM.

Issued: February 7, 1996

Effective: April 1, 1996

Kenneth Matzdorff
President
Peculiar, Missouri

CANCELLED
February 19, 2018
Missouri Public
Service Commission
TN-2018-0198; JI-2018-0088