

P.S.C. Mo. - No. 36  
ACCESS SERVICES TARIFF

Southwestern Bell Telephone  
Company d/b/a AT&T Missouri

Section 19  
3rd Revised Sheet 1  
Replacing 2nd Revised Sheet 1

---

ACCESS SERVICES

19. NETWORK MANAGEMENT SERVICES

The following list matches the Telephone Company's Basic Service Element (BSE) names to the industry standard names for each BSE.

Telephone Company Names

Generic Name of ONA Service

Network Reconfiguration(1)

Network Reconfiguration

(AT)

- (1) Effective December 15, 2018, Network Reconfiguration Service (NRS) will no longer be available for purchase by new or existing customers, and NRS service agreements may no longer be renewed. Effective July 31, 2022, the Telephone Company will no longer accept new requests for physical changes to existing service arrangements including the upgrade or downgrade of access/port speed, installation of new service, or moves to different service addresses.

(AT)

(AT)

---

ACCESS SERVICES

19. NETWORK MANAGEMENT SERVICES-(Continued)

19.1 Network Reconfiguration Service-(Continued)(1)

(AT)(RT)

19.1.1 General Description

Network Reconfiguration Service is a BSE that permits customers to access a database maintained by the Telephone Company to reconfigure their dedicated network. Customers gain database access through the use of a terminal on their premises without going through normal service order procedures.

Network Reconfiguration Service allows customers direct access to, and control of, their DS3 channels, DS1 channels, subtending channels and Internodal Facilities (the facilities that connect a Digital Cross-Connect System (DCS) in one central office with a Digital Cross-Connect System in another Central Office) without going through normal service order procedures. Network Reconfiguration utilizes a central office cross-connect system for the remote reconfiguration of these channels. Customers can reconfigure their dedicated service network from their premises, or they can have the Telephone Company perform the reconfigurations.

Customers will access Network Reconfiguration Service by using a terminal on their premises in conjunction with dedicated lines provided for in Sections 7 and 16, preceding, a private line circuit provided for in P.S.C. Mo.-No. 29, Private Line Service Tariff, Digital Link Services Tariff, P.S.C. Mo.-No. 38, Section 3, or in conjunction with a local telephone line with a seven-digit telephone number.

Network Reconfiguration Service is available at those Hubs where Telephone Company cross-connect systems are located. Network Reconfiguration Hub designations are found in the National Exchange Carrier Association, Inc. Tariff filed with the F.C.C.

- (1) Effective December 15, 2018, Network Reconfiguration Service (NRS) will no longer be available for purchase by new or existing customers, and NRS service agreements may no longer be renewed. Effective July 31, 2022, the Telephone Company will no longer accept new requests for physical changes to existing service arrangements including the upgrade or downgrade of access/port speed, installation of new service, or moves to different service addresses.

(AT)

(AT)

---

ACCESS SERVICES

19. NETWORK MANAGEMENT SERVICES-(Continued)

19.1 Network Reconfiguration Service-(Continued)(1) (AT)

19.1.2 Network Reconfiguration Options

Two network reconfiguration options are available to Network Reconfiguration customers:

- On-demand
- Reservation

The on-demand option will make immediate changes to the network, while the reservation option will be executed at a specified time designated by the customer. Both types of reconfigurations are available whether the customer performs the reconfigurations or requests the Telephone Company to perform them.

19.1.3 Network Reconfiguration Functions

Network Reconfiguration Services provides the following functions:

A. Routing/Rerouting

The routing feature allows customers to select the routes that will be used to connect their circuits between DCSs. The route selection process can be controlled by various parameters according to the customer's needs. Rerouting of circuits off of a failed internodal facility to a working one is also available.

B. Renaming

Renaming permits customers to rename their network locations, circuits and facilities.

C. Special Day Definition

Special day definition gives customers the capability to specify circuit reconfiguration on special dates, e.g., payday, holidays.

D. Resource Verification

Resource verification allows customers to verify the resource availability for the reservation period in their reconfiguration request prior to the system's confirmation or denial of the request.

- (1) Effective December 15, 2018, Network Reconfiguration Service (NRS) will no longer be available for purchase by new or existing customers, and NRS service agreements may no longer be renewed. Effective July 31, 2022, the Telephone Company will no longer accept new requests for physical changes to existing service arrangements including the upgrade or downgrade of access/port speed, installation of new service, or moves to different service addresses. (AT)

---

ACCESS SERVICES

19. NETWORK MANAGEMENT SERVICES-(Continued)

19.1 Network Reconfiguration Service-(Continued)(1) (AT)

19.1.3 Network Reconfiguration Functions-(Continued)

E. Transaction Log

Transaction log provides customers a data base log that contains every transaction involving reconfigurations.

F. Multilevel Security

Multilevel security eliminates the outside entry into a customer's circuit network arrangement inventory.

G. Compatibility Table

Compatibility table permits customers to view the allowable access line combinations that can be used with Network Reconfiguration Service.

H. Path Priority

Path priority gives customers the ability to arrange their circuit paths in order of priority when multiple routes exist.

I. Reservation Summary Screen

Reservation summary screen allows customers to view the status of their reconfiguration reservations.

J. Simple Commands and Screens

Simple commands and screens permits customers to use simple commands on screens with easy to use menus.

K. MACRO Command/Network Modeling

MACRO command/network modeling gives customers the ability to initiate with one command, multiple two-point cross-connections. Customers can build separate network models, such as daytime models, nighttime models, and disaster recovery models and invoke their activation or switch from one to the other.

(1) Effective December 15, 2018, Network Reconfiguration Service (NRS) will no longer be available for purchase by new or existing customers, and NRS service agreements may no longer be renewed. Effective July 31, 2022, the Telephone Company will no longer accept new requests for physical changes to existing service arrangements including the upgrade or downgrade of access/port speed, installation of new service, or moves to different service addresses. (AT)

---

ACCESS SERVICES

19. NETWORK MANAGEMENT SERVICES-(Continued)

19.1 Network Reconfiguration Service-(Continued)(1) (AT)

19.1.3 Network Reconfiguration Functions-(Continued)

L. Variable Bandwidth

Variable bandwidth supports scheduled reconfiguration which allows for the interchangeable use of a DS1 as either a full DS1 or one or more subtending channels.

19.1.4 Technical Specifications

Services that are cross-connected by Network Reconfiguration Service must have identical technical characteristics to ensure compatibility and proper operation, e.g., Data-to-Data, Voice-to-Voice.

Network Reconfiguration Service specifications are delineated in Technical Reference TR-TSY-000366.

19.1.5 Rate Regulations

This section contains a description of the rate elements applicable to Network Reconfiguration Service. Rate applications specific to this service are also included.

A. Rate Element Descriptions

1. Service Establishment

The Service Establishment charge applies per customer database setup. The customer database setup is a grid, built by the Telephone Company, that contains all the circuits the customer will be able to control and reconfigure. Security, as well as circuit inventory, is built into the grid, permitting the customer control of its own circuits. Also included is the provisioning of customer training. This charge includes the connection of the initial circuits.

- (1) Effective December 15, 2018, Network Reconfiguration Service (NRS) will no longer be available for purchase by new or existing customers, and NRS service agreements may no longer be renewed. Effective July 31, 2022, the Telephone Company will no longer accept new requests for physical changes to existing service arrangements including the upgrade or downgrade of access/port speed, installation of new service, or moves to different service addresses. (AT)

---

ACCESS SERVICES

19. NETWORK MANAGEMENT SERVICES-(Continued)

19.1 Network Reconfiguration Service-(Continued)(1) (AT)

19.1.5 Rate Regulations-(Continued)

A. Rate Element Descriptions-(Continued)

2. Database Modification

This charge applies (per customer contact, or request) each time the customer requests a subsequent modification of its database grid. A modification can be an addition or deletion of circuits terminating on the cross-connect system, or a rearrangement of the database grid, e.g., an outside move, the rearrangement of the customer's routing priority, or change in application of a DS1 (from all data to all voice).

3. Port Charges

Port Charges apply per port termination on the cross-connect system.  
There are three types of charges:

- DSO Port Charge - applies per channel port termination for all Special Access Services (other than High Capacity Service or DS3 Service) per circuit on the cross-connect system.
- DS1 Port Charge - applies for 1.544 Mbps channel port termination per circuit on the cross-connect system.
- DS3 Port Charge - applies for 45 Mbps channel port termination per circuit on the cross-connect system.

4. Reconfiguration Charges

Full DS3 or DS1 bandwidth, sub DS3 or DS1 bandwidth, contiguous DS0 groupings (up to and including all 24 DS0s within a DS1), contiguous DS1 groupings (up to and including all 28 DS1s within a DS3), or individual DS0 or DS1 arrangements are as specified by the customer at the time NRS service is established. This specification limits the parameters within which the service can be reconfigured and defines how the reconfiguration charges will apply. If reconfiguration is at the DS0, DS1, or DS3 level, one reconfiguration charges applies per DS0, DS1, or DS3 circuit reconfigured; if reconfiguration is for a previously defined contiguous group of DS0s, one reconfiguration charges applies per group of DS0s reconfigured; etc.

(1) Effective December 15, 2018, Network Reconfiguration Service (NRS) will no longer be available for purchase by new or existing customers, and NRS service agreements may no longer be renewed. Effective July 31, 2022, the Telephone Company will no longer accept new requests for physical changes to existing service arrangements including the upgrade or downgrade of access/port speed, installation of new service, or moves to different service addresses. (AT)

---

ACCESS SERVICES

19. NETWORK MANAGEMENT SERVICES-(Continued)

19.1 Network Reconfiguration Service-(Continued)(1) (AT)

19.1.5 Rate Regulations-(Continued)

A. Rate Element Descriptions-(Continued) (AT)

4. Reconfiguration Charges-(Continued)

One reconfiguration charge applies per cross-connect and/or disconnect successfully completed in a DCS per request. There are two types of reconfiguration charges:

- For individual reservation or demand requests performed by the customer, or for each segment of a model request performed by the customer or Telephone Company.
- For individual reservation or demand requests performed by the Telephone Company at the customer's request.

For example, if a customer wishes to reconfigure a circuit that is routed through two NRS Hub offices (the existing circuit being routed between customer premises A through the two NRS Hub offices to customer premises B, and the customer wishes to reconfigure the circuit to be rerouted between customer premises A through the two NRS Hub offices to customer premises C), two transactions would occur: one transaction to disconnect the circuit between premises A and B, and one transaction to reconnect the circuit between premises A and C. The customer would be billed four NRS charges: two for disconnecting the circuit (one for each disconnect at each NRS Hub), and two for reconnecting the circuit (one for each reconnect at each NRS Hub).

(1) Effective December 15, 2018, Network Reconfiguration Service (NRS) will no longer be available for purchase by new or existing customers, and NRS service agreements may no longer be renewed. Effective July 31, 2022, the Telephone Company will no longer accept new requests for physical changes to existing service arrangements including the upgrade or downgrade of access/port speed, installation of new service, or moves to different service addresses. (AT)

**P.S.C. Mo. - No. 36  
ACCESS SERVICES TARIFF**

Southwestern Bell Telephone  
Company d/b/a AT&T Missouri

Section 19  
2nd Revised Sheet 6  
Replacing 1st Revised Sheet 6

---

ACCESS SERVICES

19. NETWORK MANAGEMENT SERVICES-(Continued)

19.1 Network Reconfiguration Service-(Continued)(1) (AT)

19.1.5 Rate Regulations-(Continued)

B. Rate Applications

When Network Reconfiguration Service is used in conjunction with Special Access Services, the applicable rate elements per circuit are set forth in Section 7, Paragraph 7.5, preceding:

- One Channel Termination (CT) applies between the customer premises and service wire center.
- Channel Mileage, if applicable, applies between the serving wire center and the Telephone Company Network Reconfiguration Hub, or between two Network Reconfiguration Hubs.

Nonrecurring charges, as set forth in Section 7, Paragraph 7.4.1, preceding, are also applicable when existing channels must be reterminated in a Network Reconfiguration Port to provide Network Reconfiguration Service.

(1) Effective December 15, 2018, Network Reconfiguration Service (NRS) will no longer be available for purchase by new or existing customers, and NRS service agreements may no longer be renewed. Effective July 31, 2022, the Telephone Company will no longer accept new requests for physical changes to existing service arrangements including the upgrade or downgrade of access/port speed, installation of new service, or moves to different service addresses. (AT)



ACCESS SERVICES

19. NETWORK MANAGEMENT SERVICES-(Continued)

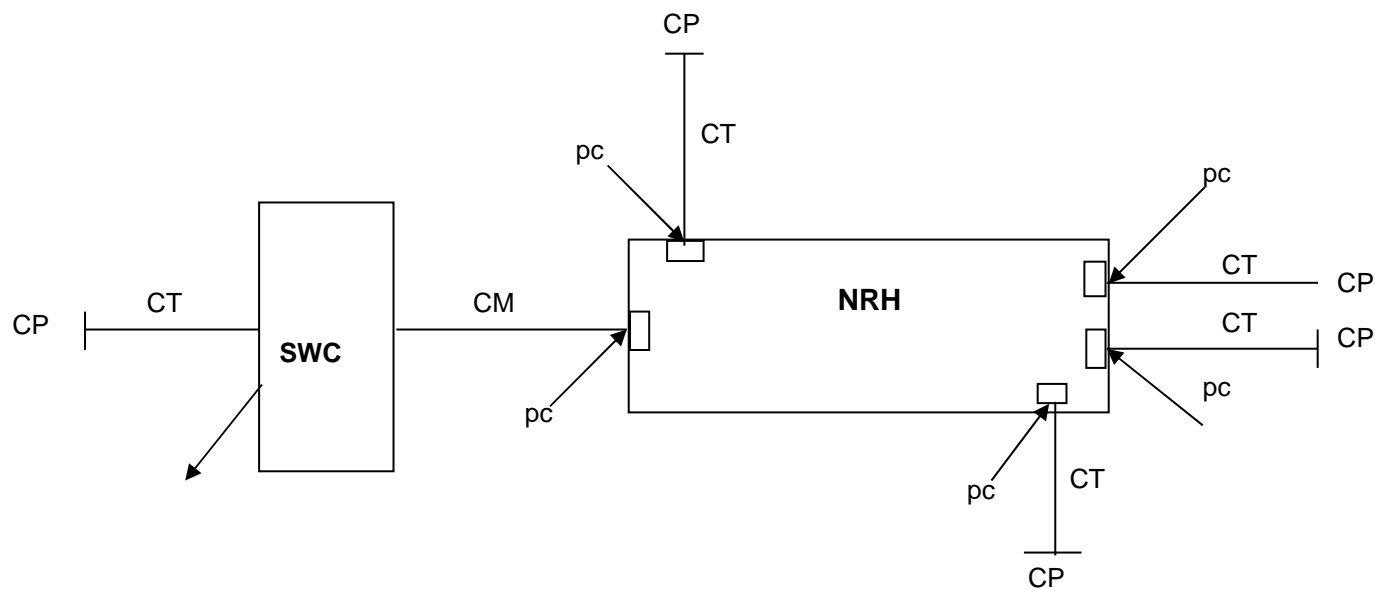
19.1 Network Reconfiguration Service-(Continued)(1)

(AT)

19.1.5 Rate Regulations-(Continued)

C. Service Configurations

The following diagram depicts a typical Network Reconfiguration Network with its applicable rate elements:



- CM = Channel Mileage
- CP = Customer Premises
- CT = Channel Termination
- NRH = Network Reconfiguration Hub
- PC = Port Charge
- SWC = Serving Wire Center

(1) Effective December 15, 2018, Network Reconfiguration Service (NRS) will no longer be available for purchase by new or existing customers, and NRS service agreements may no longer be renewed. Effective July 31, 2022, the Telephone Company will no longer accept new requests for physical changes to existing service arrangements including the upgrade or downgrade of access/port speed, installation of new service, or moves to different service addresses.

(AT)

(AT)

ACCESS SERVICES

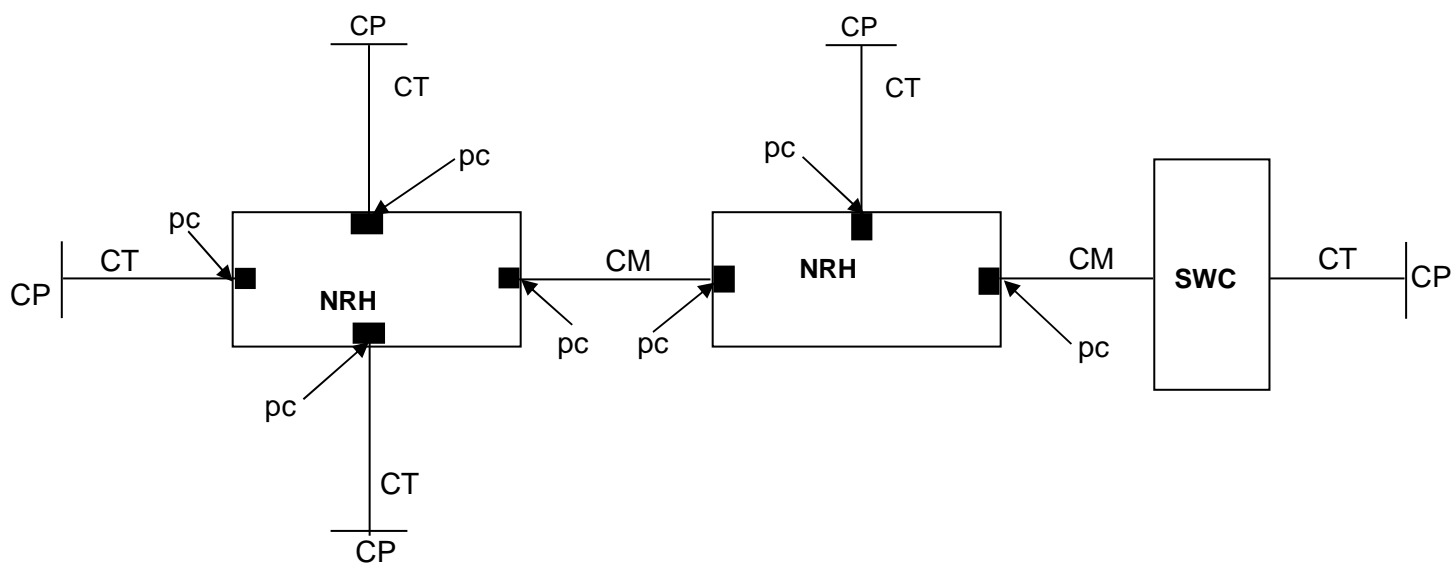
19. NETWORK MANAGEMENT SERVICES-(Continued)

19.1 Network Reconfiguration Service-(Continued)(1) (AT)

19.1.5 Rate Regulations-(Continued)

C. Service Configurations-(Continued) (AT)

The following diagram depicts a Network Reconfiguration Network utilizing two Network Reconfiguration Hubs:



CM = Channel Mileage  
 CP = Customer Premises  
 CT = Channel Termination  
 NRH = Network Reconfiguration Hub  
 PC = Port Charge  
 SWC = Serving Wire Center

(1) Effective December 15, 2018, Network Reconfiguration Service (NRS) will no longer be available for purchase by new or existing customers, and NRS service agreements may no longer be renewed. Effective July 31, 2022, the Telephone Company will no longer accept new requests for physical changes to existing service arrangements including the upgrade or downgrade of access/port speed, installation of new service, or moves to different service addresses. (AT)

**P.S.C. Mo. - No. 36  
ACCESS SERVICES TARIFF**

Southwestern Bell Telephone  
Company d/b/a AT&T Missouri

Section 19  
2nd Revised Sheet 9  
Replacing 1st Revised Sheet 9

ACCESS SERVICES

19. NETWORK MANAGEMENT SERVICES-(Continued)

19.1 Network Reconfiguration Service-(Continued)(1) (AT)

19.1.6 Rates and Charges

	<u>USOC</u>	<u>Monthly Rates</u>	<u>Nonrecurring Charges</u>
A. Service Establishment			
- Per Database Setup	FN6DD	None	\$1,722.00
B. Database Modification,			
- per request	FN6DC	None	\$80.00
C. Port Charges			
- DS0 Port	PT5	\$11.03	\$20.00
- DS1 Port	PT6	\$45.14	\$43.00
- DS3 Port	D3D	\$500.00	\$32.00
D. Reconfiguration Charges			
Per Cross-Connect and/or Disconnect Successfully Completed			
- Per Reconfiguration Performed by Customer; or Each Segment of a Model Request Performed by Customer or Telephone Company		None	\$1.25
- Per Reconfiguration Performed by the Telephone Company at Customer Request		None	\$8.00

(1) Effective December 15, 2018, Network Reconfiguration Service (NRS) will no longer be available for purchase by new or existing customers, and NRS service agreements may no longer be renewed. Effective July 31, 2022, the Telephone Company will no longer accept new requests for physical changes to existing service arrangements including the upgrade or downgrade of access/port speed, installation of new service, or moves to different service addresses. (AT)

(AT)