

INTRASTATE ACCESS SERVICE

ADOPTION NOTICE

In accordance with the Missouri Public Service Commission's Order Approving Stipulation and Agreement issued April 25, 2006 in Case No. TM-2006-0272 and the subsequent name change of Alltel Missouri, Inc. to Windstream Missouri, Inc., Windstream Missouri, Inc. hereby adopts, ratifies and makes its own, in every respect as if the same had been originally filed by it, all tariffs, schedules, rules, notices, concurrences, schedule agreements, divisions, authorities or other instruments whatsoever, filed with the Public Service Commission, State of Missouri, by or adopted by Alltel Missouri, Inc.

By this notice, Windstream Missouri, Inc. also adopts and ratifies all supplements or amendments to any of the above tariffs, schedules, etc., which Alltel Missouri, Inc. has heretofore filed with said Commission.

ISSUED: June 16, 2006

EFFECTIVE: July 17, 2006

Vice President – Regulatory Strategy
4001 Rodney Parham Road
Little Rock, Arkansas 72212

INTRASTATE ACCESS SERVICE

Regulations, Rates and Charges
applying to the provision of Access Service
for connection to intrastate communications facilities
for intrastate Customers within the
operating territory of

WINDSTREAM MISSOURI, INC.

in the State of

MISSOURI

as provided herein.

For the Exchanges:

Listed in 1.4 Following

Any Questions concerning tariff references,
should be directed to this tariffs
issuing individual at the address
indicated below:

ISSUED: June 16, 2006

EFFECTIVE: July 17, 2006

Vice President – Regulatory Strategy
4001 Rodney Parham Road
Little Rock, Arkansas 72212

RECEIVED

JUN 10 1996

MISSOURI
Public Service Commission

INTRASTATE ACCESS SERVICE

Regulations, Rates and Charges
applying to the provision of Access Service
for connection to intrastate communications facilities
for intrastate Customers within the
operating territory of

ALLTEL MISSOURI, INC.

in the State of

MISSOURI

as provided herein.

For the Exchanges:

Listed in 1.4 Following

Any Questions concerning tariff references,
should be directed to this tariffs
issuing individual at the address
indicated below:

FILED

JUL 11 1996

Issued: June 11, 1996

Effective July 11, 1996
MO PUBLIC SERVICE COMM

Mr. M. Scott Schultheis, Staff Manager - Access Tariffs
ALLTEL Telephone Services Corporation
One Allied Drive
Little Rock, AR 72203
(501) 661-5369

Cancelled

July 17, 2006

Missouri Public
Service Commission

RECEIVED

JUN 25 1995

MISSOURI

INTRASTATE ACCESS SERVICE

Public Service Commission

Regulations, Rates and Charges
applying to the provision of Access Service
for connection to intrastate communications facilities
for intrastate Customers within the
operating territory of

ALLTEL MISSOURI, INC.

in the State of

MISSOURI

as provided herein.

For the Exchanges:

Listed in 1.4 Following

CANCELLED

JUN 11 1996
BY 1st R.S. #1
Public Service Commission
MISSOURI

FILED
96-147
JAN 11 1996

MO. PUBLIC SERVICE COMM.

ACCESS SERVICE

TABLE OF CONTENTS

	<u>Page No.</u>
6. <u>SWITCHED ACCESS SERVICE (Con't)</u>	
6.8 <u>Description and Provision of Feature Group D</u>	210
6.8.1 Description	210
6.8.2 Optional Features	214
6.8.3 Design and Traffic Routing	217
6.8.4 Measuring Access Minutes	217
6.8.5 Design Blocking Probability	220
6.8.6 Network Blocking Charge	222
6.8.7 Testing Capabilities	223
6.9 <u>Nonchargeable Optional Features</u>	224
6.9.1 Common Switching Optional Features	225
6.9.2 Transport Termination Optional Features	240
6.10 <u>Chargeable Optional Features</u>	242
6.10.1 Interim NXX Translation	242
6.10.2 800 Data Base Service	243
7. <u>SPECIAL ACCESS SERVICE</u>	244
7.1 <u>General</u>	244
7.1.1 Channel Types	244
7.1.2 Service Descriptions	247
7.1.3 Service Configurations	249
7.1.4 Alternate Use	254
7.1.5 Special Facilities Routing	254
7.1.6 Design Layout Report	254
7.1.7 Acceptance Testing	255
7.1.8 Ordering Options and Conditions	255

CANCELLED

DEC 19 2 55 1998

96 - 147

Public Service Commission
MISSOURI

ACCESS SERVICE

TABLE OF CONTENTS

RECEIVED

DEC 26 1995

MISSOURI

Public Service Commission

13.3	<u>Programming Services</u>	328
13.4	<u>Miscellaneous Services</u>	329
13.4.1	Testing Services	329
13.4.2	Maintenance of Service	336
13.4.3	Telecommunications Service Priority - TSP	337
13.4.4	Miscellaneous Equipment	339
13.5	<u>Presubscription</u>	340
13.6	<u>Verification of Orders for Long Distance Telemarketing</u>	343
13.7	<u>Unauthorized PIC Change</u>	345
13.8	<u>Blocking Service</u>	346
13.8.1	International Blocking Service	346
13.9	<u>Billing Name and Address Services</u>	347
13.9.1	General Description	347
13.9.2	Undertaking of the Telephone Company	348
13.9.3	Obligation of the Customer	349
13.9.4	Rate Regulation	349
14.	<u>RESERVED FOR FUTURE USE</u>	350
15.	<u>ACCESS SERVICE INTERFACES AND TRANSMISSION SPECIFICATIONS</u>	351
15.1	<u>Switched Access Service</u>	351
15.1.1	Local Transport Interface Groups	351
15.1.2	Standard Transmission Specifications	361
15.1.3	Data Transmission Parameters	370
15.2	<u>Special Access Service</u>	374
15.2.1	Network Channel (NC) Codes	377
15.2.2	Network Channel Interface (NCI) Codes	380
16.	<u>RESERVED FOR FUTURE USE</u>	407

CANCELLED

DEC 24 1995

By 1st RS#11

Public Service Commission

MISSOURI

FILED 96-127

JAN 1 1996

MO. PUBLIC SERVICE COMM.

ACCESS SERVICE

RECEIVED

DEC 28 1995

2. General Regulations (Cont'd)

2.1 Undertaking of the Telephone Company (Cont'd)

MISSOURI

Public Service Commission

2.1.8 Refusal and Discontinuance of Service

(A) If a customer fails to comply with 2.1.6 preceding (Service Maintenance) or 2.3.1, 2.3.4, 2.3.6, 2.4.1 or 2.5 following (respectively, Damages, Availability for Testing, Balance, Payment Arrangements, Connections) including any customers failure to make payments on the date and times therein specified, the Telephone Company may, on thirty (30) days written notice to the customer by Certified U.S. Mail, take the following actions:

- refuse additional applications for service and/or refuse to complete any pending orders for service, and/or
- discontinue the provision of service to the non-complying customer at any time thereafter.

In the case of discontinuance all applicable charges, including termination charges, shall become due.

(B) If a customer fails to comply with 2.2.2 following (Unlawful and Abusive Use), the Telephone Company may, upon written request from a customer, or another exchange carrier, terminate service to any subscriber or customer identified as having utilized service provided under this tariff in the completion of abusive or unlawful telephone calls. Service shall be terminated by the Telephone Company as provided for in its general and/or local exchange service tariffs.

In such instances when termination occurs the Telephone Company shall be indemnified, defended and held harmless by any customer or Exchange Carrier requesting termination of service against any claim, loss or damage arising from the Telephone Company's actions in terminating such service, unless caused by the Telephone Company's negligence.

CANCELLED
JUN 05 1999
By *SKRS #13*
Public Service Commission
MISSOURI

FILED
96-147
JAN 1 1996

MO. PUBLIC SERVICE COMMISSION

ACCESS SERVICE

RECEIVED

DEC 26 1995

MISSOURI
Public Service Commission

2. General Regulations (Cont'd)

2.3 Obligations of the Customer (Cont'd)

2.3.9 Claims and Demands for Damages

- (A) With respect to claims of patent infringement made by third persons, the customer shall defend, indemnify, protect and save harmless the Telephone Company from and against all claims arising out of the combining with, or use in connection with, the services provided under this tariff, any circuit, apparatus, system or method provided by the customer.
- (B) The customer shall defend, indemnify and save harmless the Telephone Company from and against any suits, claims, losses and damages, including punitive damages, attorney fees and court costs by third persons arising out of the construction, installation, operation, maintenance, or removal of the customer's circuits, facilities, or equipment connected to the Telephone Company's services provided under this tariff including, without limitation, Worker's Compensation claims, actions for infringement of copyright and/or unauthorized use of program material, libel and slander actions based on the content of communications transmitted over the customer's circuits, facilities or equipment, and proceedings to recover taxes, fines, or penalties for failure of the customer to obtain or maintain in effect any necessary certificates, permits, licenses, or other authority to acquire or operate the services provided under this tariff; provided, however, the foregoing indemnification shall not apply to suits, claims, and demands to recover damages for damage to property, death, or personal injury unless such suits, claims or demands are based on the tortious conduct of the customer, its officers, agents or employees.
- (C) The customer shall defend, indemnify and save harmless the Telephone Company from and against any suits, claims, losses or damages, including punitive damages, attorney fees and court costs by the customer or third parties arising out of any act of omission of the customer in the course of using services provided under this tariff.

CANCELLED

OCT 20 1999
By *(SRS#21)*
Public Service Commission
MISSOURI

FILED
96-147
JAN 1 1996

MO. PUBLIC SERVICE COMM.

RECEIVED

ACCESS SERVICE

DEC 26 1995

MISSOURI

Public Service Commission

2. General Regulations (Cont'd)

2.3 Obligations of the Customer (Cont'd)

2.3.10 Coordination with Respect to Network Contingencies

The customer shall, in cooperation with the Telephone Company, coordinate in planning the actions to be taken to maintain maximum network capability following natural or man-made disasters which affect telecommunications services.

2.3.11 Jurisdictional Report and Certification Requirements

(A) Certification Requirements - Special Access

When the customer orders Special Access Service, and the customer certifies to the Telephone Company in writing that more than ten percent of the traffic is interstate, the service is considered to be interstate.

Following initial certification, should the jurisdictional nature of the customer's Special Access Service change, the customer should inform the Telephone Company in writing of the change. The effective date of the change will be the date the Telephone Company receives the customer's notice of change. No charge applies for the jurisdictional change.

(B) Disputes Involving Jurisdictional Certification - Special Access

If a dispute arises concerning the certification of projected interstate traffic as described in (A) above, the Telephone Company will ask the customer to provide the data the customer used to determine that more than 10% of the traffic is interstate. The customer shall supply the data within thirty (30) days of the Telephone Company request. If the reply results in a jurisdictional change of a Special Access Service, the effective date of the change will be the date the Telephone Company receives the customer's reply. There is no charge when the customer's reply results in a jurisdictional change in the Special Access Service.

CANCELLED

DEC 26 1995

By 1st RS # 22
Public Service Commission
MISSOURI

FILED
96 - 147
JAN 1 1996

MO. PUBLIC SERVICE COM. 1.

ACCESS SERVICE

RECEIVED

DEC 20 1995

MISSOURI
Public Service Commission

2. General Regulations (Cont'd)

2.3 Obligations of the Customer (Cont'd)

2.3.11 Jurisdictional Report and Certification Requirements

(C) Jurisdictional Reports - Switched Access

For Switched Access Service, the Telephone Company cannot in all cases determine the jurisdictional nature of customer traffic and its related access minutes. In such cases the customer may be called upon to provide a projected estimate of its traffic, split between the interstate and intrastate jurisdictions. The following regulations govern such estimates, their reporting by the customer and cases where the Telephone Company will develop jurisdictional percentages.

(1) Determination of the jurisdictional basis of the usage will be based on the following requirements:

(a) Sixty-six and six tenths percent (66.6%) of all usage which originates on the customer's network in the Missouri portion of the Kansas City Standard Metropolitan Statistical Area (SMSA) and terminates at a telephone number in Missouri will be reported as intrastate.

(b) Seventy-five and nine tenths percent (75.9%) of all usage which originates on the customer's network in the Missouri portion of the St. Louis Standard Metropolitan Statistical Area (SMSA) and terminates at a telephone number in Missouri will be reported as intrastate.

(c) One hundred percent (100%) of all other usage which originates on the customer's network in Missouri and terminates at a telephone number in Missouri will be reported as intrastate.

CANCELLED

DEC 21 1997

By 1st RS #23
Public Service Commission
MISSOURI

FILED
96 - 147
JAN 1 1996

MO. PUBLIC SERVICE COM. 1.

ACCESS SERVICE

RECEIVED

DEC 20 1995

MISSOURI
Public Service Commission

2. General Regulations (Cont'd)

2.3 Obligations of the Customer (Cont'd)

2.3.11 Jurisdictional Report and Certification Requirements (Cont'd)

(C) Jurisdictional Reports - Switched Access (Cont'd)

(d) If a customer establishes a point of inter-connection between its facilities and those of a local exchange telephone company in a state which adjoins Missouri and to which Missouri customer may gain access on a toll free basis, the usage which gains access at such points of interconnection and terminate at a Missouri telephone number shall be reported as intrastate messages. Such traffic from the Kansas City and St. Louis SMSAs shall be apportioned in accordance with paragraphs a. and b. above.

(e) All usage which originates on the customer's network in the Missouri portion of a LATA and terminates at a telephone number in the same LATA in Missouri will be reported as intrastate intraLATA. Usage terminating at a telephone number in a different LATA in Missouri will be reported as intrastate interLATA. Wire centers and their corresponding LATA's may be found in EXCHANGE CARRIER ASSOCIATION TARIFF - WIRE CENTER & INTERCONNECTION INFORMATION.

(f) All intrastate usage will be reported as such whether or not the customer has the proper state certification or an effective intrastate tariff.

CANCELLED

DEC 21 1995

By 1st RS #24
Public Service Commission
MISSOURI

(2) Effective on the first of January, April, July and October of each year the customer shall update the interstate and intrastate jurisdictional report. The customer shall forward to the Telephone Company, to be received no later than 15 days after the first of each month, a revised report showing the interstate and intrastate percentage of use for the most recent three months data available, for each service arranged for interstate use. The revised report will as the basis for the next three months billing and will be effective on the bill date for that service.

FILED
DEC 21 1995
MO. PUBLIC SERVICE COMMI.

ACCESS SERVICE

RECEIVED

DEC 26 1995

2. General Regulations (Cont'd)

2.3 Obligations of the Customer (Cont'd)

MISSOURI

Public Service Commission

2.3.11 Jurisdictional Report and Certification Requirements (Cont'd)

(C) Jurisdictional Reports - Switched Access (Cont'd)

- (2) (Con't) No prorating or back billing will be done based on the report. If the customer does not supply the reports, the Telephone Company will assume the percentages to the same as those provided in the last quarterly report. For those cases in which a quarterly report has never been received from the customer, the Telephone Company will assume the percentages to be the same as those provided in the order for service as set forth in (1) proceeding.
- (3) Where the customer utilizes the FGA Switched Access Service for calls between a Primary Exchange Carrier and a Secondary Exchange Carrier within the same Extended Area Service calling area, and /or Feature Group B Switched Access Service for calls between a Primary Exchange Carrier's access tandem and a subtending Secondary Exchange Carrier, where the Primary and Secondary Exchange Carriers are not the same Telephone Company, a copy of the revised report will be provided by the customer to each Secondary Exchange Carrier.
- (4) The reports required in (2) above should be based on actual total customer usage data if at all feasible. If that data is not reasonably available, the reports may be based on either statistically valid samples derived by the customer, or on samples from sampling techniques agreed to by the Telephone Company. The allowable statistical parameters associated with the percentages produced from statistical sampling are a 95 percent confidence level and a +/- five percent precision.

CANCELLED

DEC 24 1997

By 1st RS #25
Public Service Commission
MISSOURI

FILED
96 - 147
JAN 1 1996

MO. PUBLIC SERVICE COMM.

ACCESS SERVICE

RECEIVED

2. General Regulations (Cont'd)

NOV 24 1997

2.3 Obligations of the Customer (Cont'd)

2.3.11 Jurisdictional Report Requirements (Cont'd) **MIS. PUBLIC SERVICE COMM**

(6) Where a customer has previously obtained interstate service and subsequently applies for mixed interstate and intrastate service, the customer must, at the time the order is placed for mixed interstate and intrastate service, provide an interim jurisdictional report for the previous three months usage that complies with the requirements of paragraphs (1), (3) and (5) above. (T)

(7) The Telephone Company retains the right to employ monitoring equipment for the purpose of verification of IXC PIU reporting. The Telephone Company shall treat such information as proprietary in nature and shall maintain its confidentiality. (T)

(D) Maintenance of Customer Records

The customer shall maintain and retain for a minimum of one year, complete, detailed and accurate records, workpapers and backup documentation in form and substance to evidence the percentage data provided to the Telephone Company as set forth in (C) proceeding. All of the records, workpapers and backup documentation, including the sampling techniques and traffic data underlying samples, if used, shall be make available during normal business hours, at a location named in the report, upon reasonable request by the Telephone Company in order to permit a review by a Telephone Company auditor, an outside auditor under of a federal or state regulatory commission. The Telephone Company may in its discretion accept the results of a third-party audit submitted by the IXC in lieu of performing its own audit.

FILED

DEC 24 1997

Information previously found on this page now found on Page 23.3

Issued: November 24, 1997

Effective: ~~December 24, 1997~~
MISSOURI
Public Service Commission

CANCELLED
December 18, 2009
Missouri Public
Service Commission
JI-2010-0345

One Allied Drive
Little Rock, Arkansas 72203

ACCESS SERVICE

RECEIVED

DEC 28 1995

2. General Regulations (Cont'd)

2.3 Obligations of the Customer (Cont'd)

MISSOURI
Public Service Commission

2.3.11 Jurisdictional Report Requirements (Cont'd)

(C) Jurisdictional Reports - Switched Access (Cont'd)

(5) Where a customer has previously obtained interstate service and subsequently applies for mixed interstate and intrastate service, the customer must, at the time the order is placed for mixed interstate and intrastate service, provide an interim jurisdictional report for the previous three months usage that complies with the requirements of paragraphs (1), (3) and (4) above.

(6) The Telephone Company retains the right to employ monitoring equipment for the purpose of verification of IXC PIU reporting. The Telephone Company shall treat such information as proprietary in nature and shall maintain its confidentiality.

(D) Maintenance of Customer Records

The customer shall maintain and retain for a minimum of one year, complete, detailed and accurate records, workpapers and backup documentation in form and substance to evidence the percentage data provided to the Telephone Company as set forth in (C) proceeding. All of the records, workpapers and backup documentation, including the sampling techniques and traffic data underlying samples, if used, shall be made available during normal business hours, at a location named in the report, upon reasonable request by the Telephone Company in order to permit a review by a Telephone Company auditor, an outside auditor under of a federal or state regulatory commission. The Telephone Company may in its discretion accept the results of a third-party audit submitted by the IXC in lieu of performing its own audit.

CANCELLED

DEC 28 1995
By 1st RS #26
Public Service Commission
MISSOURI

FILED
96 - 147
JAN 1 1996
MO. PUBLIC SERVICE COMMISSION

ACCESS SERVICE

RECEIVED

2. General Regulations (Cont'd)

2.4 Payment Arrangements and Credit Allowances (Cont'd)

NOV 24 1997

2.4.1 Payment of Rates, Charges and Deposits (Cont'd)

(C) Payment Dates and Late Payment Penalties (Cont'd)

(2) Further, if no payment is received by the payment date or if a payment or any portion of a payment is received by the Telephone Company after the payment date as set forth in (1) preceding, or if a payment or any portion of a payment is received by the Telephone Company in funds which are not immediately available to the Telephone Company, then a late payment penalty shall be due to the Telephone Company. The late payment penalty shall be the payment or the portion of the payment not received by the payment date times a late factor. The late factor shall be:

(a) the interest rate (in decimal value) which may be levied per the P.S.C, compounded daily for the number of days from the payment date to and including the date that the customer actually makes the payment to the Telephone Company, or in its absence.

(b) 0.000292 per day, compounded daily for the number of days from the payment date to and including the date that the customer actually makes the payment to the Telephone Company.

(D) Valid Billing Dispute

(N)

A valid billing dispute consists of written documentation specifically listing the total dollar amount of the dispute, specific rate elements being disputed and their dollar amounts. The dispute must be received in writing within 30 days after the due date of the bill. At least one of the seven following reasons must be given for the dispute to be considered valid.

- 1. Incorrect rate
- 2. Error in quantity (i.e., minutes or quantity of circuits incorrect.)
- 3. Service no longer exists.
- 4. Invalid factors
- 5. Incorrect customer being billed.
- 6. Invalid Purchase Order Number (PON)
- 7. Backbilling

Refusal to pay an entire bill or any portion thereof without written supporting documentation, will not be considered a valid dispute and will be handled as a non payment in accordance with Section 2.4.1(C) above.

DEC 24 1997

(N)

CANCELLED

OCT 20 1999

2nd RS#32
Public Service Commission
MISSOURI

MISSOURI

ACCESS SERVICE

RECEIVED

DEC 28 1995

2. General Regulations (Cont'd)

2.4 Payment Arrangements and Credit Allowances (Cont'd)

MISSOURI

Public Service Commission

2.4.1 Payment of Rates, Charges and Deposits (Cont'd)

(C) Payment Dates and Late Payment Penalties (Cont'd)

(2) Further, if no payment is received by the payment date or if a payment or any portion of a payment is received by the Telephone Company after the payment date as set forth in (1) preceding, or if a payment or any portion of a payment is received by the Telephone Company in funds which are not immediately available to the Telephone Company, then a late payment penalty shall be due to the Telephone Company. The late payment penalty shall be the payment or the portion of the payment not received by the payment date times a late factor. The late factor shall be:

(a) the interest rate (in decimal value) which may be levied per the P.S.C, compounded daily for the number of days from the payment date to and including the date that the customer actually makes the payment to the Telephone Company, or in its absence.

(b) 0.000292 per day, compounded daily for the number of days from the payment date to and including the date that the customer actually makes the payment to the Telephone Company.

(D) Billing Disputes Resolved in Favor of the Telephone Company

Late payment charges will apply to amounts withheld pending settlement of the dispute. Late payment charges are calculated as set forth in (C)(2) preceding except that when the customer disputes the bill on or before the payment date and pays the undisputed amount on or before the payment date, the penalty interest period shall not begin until 10 days following the payment date.

CANCELLED

DEC 28 1995

By lst RS #32
Public Service Commission
MISSOURI

FILED
96 - 147
JAN 1 1996

MO. PUBLIC SERVICE COMMISSION

RECEIVED

ACCESS SERVICE

NOV 24 1997

2. General Regulations (Cont'd)

2.4 Payment Arrangements and Credit Allowances (Cont'd)

MO. PUBLIC SERVICE COMMISSION

2.4.1 Payment of Rates, Charges and Deposits (Cont'd)

(E) Billing Disputes Resolved in Favor of the Telephone Company (C)

Late payment charges will apply to amounts withheld pending settlement of the dispute. Late payment charges are calculated as set forth in (C)(2) preceding except that when the customer disputes the bill on or before the payment date and pays the undisputed amount on or before the payment date, the penalty interest period shall not begin until 10 days following the payment date.

(F) Billing Disputes Resolved in Favor of the Customer (C)

If the customer pays the total billed amount and disputes all or part of the amount, the Telephone Company will refund any overpayment. In addition, the Telephone Company will pay to the customer penalty interest on the overpayment. When a claim is filed within 90 days of the due date, the penalty interest period shall begin on the payment date. When a claim is filed more than 90 days after the due date, the penalty interest period shall begin from the date of the claim or the date of overpayment, whichever is later.

The penalty interest period shall end on the date that the Telephone Company actually refunds the overpayment to the customer. The penalty interest rate shall be:

- (1) the highest interest rate (in decimal value) which may be levied per the P.S.C, compounded daily for the number of days from the first date to and including the last date of the period involved, or in its absence.
- (2) 0.000292 per day, compounded daily for the number of days from the first date to and including the last date of the period involved.

(G) Proration of Charges (C)

Adjustments for the quantities of services established or discontinued in any billing period beyond the minimum period set forth for services in other sections of this tariff will be prorated to the number of days based on a 30 day month. The Telephone Company will, upon request, furnish ^{the information} ~~within~~ 30 days of a request and at no charge to the customer such detailed information as may reasonably be required for verification of any bill.

DEC 24 1997

MISSOURI
Public Service Commission

ACCESS SERVICE

RECEIVED

DEC 23 1995

2. General Regulations (Cont'd)2.4 Payment Arrangements and Credit Allowances (Cont'd)MISSOURI
Public Service Commission2.4.1 Payment of Rates, Charges and Deposits (Cont'd)(E) Billing Disputes Resolved in Favor of the Customer

If the customer pays the total billed amount and disputes all or part of the amount, the Telephone Company will refund any overpayment. In addition, the Telephone Company will pay to the customer penalty interest on the overpayment. When a claim is filed within 90 days of the due date, the penalty interest period shall begin on the payment date. When a claim is filed more than 90 days after the due date, the penalty interest period shall begin from the date of the claim or the date of overpayment, whichever is later.

The penalty interest period shall end on the date that the Telephone Company actually refunds the overpayment to the customer. The penalty interest rate shall be:

- (1) the highest interest rate (in decimal value) which may be levied per the P.S.C, compounded daily for the number of days from the first date to and including the last date of the period involved, or in its absence.
- (2) 0.000292 per day, compounded daily for the number of days from the first date to and including the last date of the period involved.

(F) Proration of Charges

Adjustments for the quantities of services established or discontinued in any billing period beyond the minimum period set forth for services in other sections of this tariff will be prorated to the number of days based on a 30 day month. The Telephone Company will, upon request, furnish within 30 days of a request and at no charge to the customer such detailed information as may reasonably be required for verification of any bill.

CANCELLED

DEC 22 1995
Ev/RS #33
Public Service Commission
MISSOURI

FILED
96-147
JAN 1 1996
MO. PUBLIC SERVICE COM. COMM.

ACCESS SERVICE

NOV 24 1997

2. General Regulations (Cont'd)

MO. PUBLIC SERVICE COMMISSION

2.4 Payment Arrangements and Credit Allowances (Cont'd)2.4.1 Payment of Rates, Charges and Deposits (Cont'd)(H) Rounding of Charges

(C)

When a rate as set forth in this tariff is shown to more than two decimal places, the charges will be determined using the rate shown. The resulting amount will then be rounded to the nearest penny (i.e., rounded to two decimal places).

2.4.2 Minimum Periods

The minimum period for which services are provided and for which rates and charges are applicable is one month except for those usage rated services set forth in Section 6. (Switched Access Service), 7.2.4 (Part-time Video and Program Audio), and 6.1.3 (Switched Access High Capacity DS3 Entrance Facility and DS3 Direct Trunked Transport).

The minimum period for which service is provided and for which rates and charges are applicable for a Specialized Service or Arrangement provided on an individual case basis as set forth in Section 12. following, is one month unless a different minimum period is established with the individual case filing.

When a service is discontinued prior to the expiration of the minimum period, charges are applicable, whether the service is used or not, as follows:

- (A) When a service with a one month minimum period is discontinued prior to the expiration of the minimum period, a one month charge will apply at the rate level in effect at the time service is discontinued.
- (B) When a service with a minimum period greater than one month is discontinued prior to the expiration of the minimum period, the applicable charge will be the lesser of (1) the Telephone Company's total nonrecoverable costs less the net salvage value for the discontinued service or (2) the total monthly charges, at the rate level in effect at the time service is discontinued, for the remainder of the minimum period.

FILED

DEC 24 1997

MISSOURI
Public Service Commission

Issued: November 24, 1997

Effective: December 24, 1997

CANCELLED
February 5, 2009
Missouri Public
Service Commission
JI-2009-0498

One Allied Drive
Little Rock, Arkansas 72203

ACCESS SERVICE

RECEIVED

2. General Regulations (Cont'd)

DEC 28 1995

2.4 Payment Arrangements and Credit Allowances (Cont'd)

MISSOURI

2.4.1 Payment of Rates, Charges and Deposits (Cont'd)

Service Commission

(G) Rounding of Charges

When a rate as set forth in this tariff is shown to more than two decimal places, the charges will be determined using the rate shown. The resulting amount will then be rounded to the nearest penny (i.e., rounded to two decimal places).

2.4.2 Minimum Periods

The minimum period for which services are provided and for which rates and charges are applicable is one month except for those usage rated services set forth in Section 6. (Switched Access Service), 7.2.4 (Part-time Video and Program Audio), and 6.1.3 (Switched Access High Capacity DS3 Entrance Facility and DS3 Direct Trunked Transport).

The minimum period for which service is provided and for which rates and charges are applicable for a Specialized Service or Arrangement provided on an individual case basis as set forth in Section 12. following, is one month unless a different minimum period is established with the individual case filing.

When a service is discontinued prior to the expiration of the minimum period, charges are applicable, whether the service is used or not, as follows:

(A) When a service with a one month minimum period is discontinued prior to the expiration of the minimum period, a one month charge will apply at the rate level in effect at the time service is discontinued.

(B) When a service with a minimum period greater than one month is discontinued prior to the expiration of the minimum period, the applicable charge will be the lesser of (1) the Telephone Company's total nonrecoverable costs less the net salvage value for the discontinued service or (2) the total monthly charges, at the rate level in effect at the time service is discontinued, for the remainder of the minimum period.

CANCELLED

FILED
96-147
JAN 1 1996

DEC 24 1995

MO. PUBLIC SERVICE COMM.

1st RS #34
Public Service Commission
MISSOURI

ACCESS SERVICE

RECEIVED

DEC 21 1995

2. General Regulations (Cont'd)

2.4 Payment Arrangements and Credit Allowances (Cont'd)

MISSOURI
Public Service Commission

2.4.4 Credit Allowance for Service Interruptions (Cont'd)

(B) When a Credit Allowance Applies (Cont'd)

Credit allowances are computed as follows:

- (1) Special Access Service Other than Program Audio and Video and flat rated Switched Access Service rate elements

For Special Access Services other than Program Audio and Video Services and for flat rated Switched Access Service rate elements (i.e., Entrance Facility, Direct Trunked Transport and Multiplexing), no credit shall be allowed for an interruption of less than 30 minutes. The customer shall be credited for an interruption of 30 minutes or more at the rate of 1/1440 of the monthly charges for the facility or service for each period of 30 minutes or Major Fraction Thereof that the interruption continues.

The monthly charges used to determine the credit shall be as follows:

(a) Two-point Services

For two-point services, the monthly charge shall be the total of all the monthly rate element charges associated with the service (e.g., two channel terminations, channel mileage and optional features and functions).

(b) Multipoint Services

For multipoint services, the monthly charge shall be only the total of all the monthly rate element charges associated with that portion of the service that is inoperative (e.g., a channel termination per customer designated premises, channel mileage and optional features and functions).

CANCELLED

OCT 20 1999
By ISRS #36
Public Service Commission
MISSOURI

FILED
96 - T 47
JAN 7 1996

ACCESS SERVICE

RECEIVED

DEC 28 1995

2. General Regulations (Cont'd)

2.4 Payment Arrangements and Credit Allowances (Cont'd)

MISSOURI

Public Service Commission

2.4.4 Credit Allowance for Service Interruptions (Cont'd)

(B) When a Credit Allowance Applies (Cont'd)

(1) Special Access Service other than Program Audio and Video and flat rated Switched Access Service rate elements (Cont'd)

(c) Multiplexed Services

For multiplexed services, the monthly charge shall be the total of all the monthly rate element charges associated with that portion of the service that is inoperative. When the facility which is multiplexed or the multiplexer itself is inoperative, the monthly charge shall be the total of all the monthly rate element charges associated with the service (i.e., the channel termination, channel mileage Entrance Facility, Direct Trunked Transport and optional features and functions, including the multiplexer on the facility to the hub, and the channel terminations, channel mileages and optional features and functions on the individual services from the hub). When the service which rides a channel of the multiplexed facility is inoperative, the monthly charge shall be the total of all the monthly rate element charges associated with that portion of the service from the hub to a customer premises (i.e., channel termination, channel mileage, Direct Trunked Transport, and optional features and functions).

d) Flat rated Switched Access Service Rate Elements

For flat rated Switched Access Service rate elements, the monthly charge shall be the total of all the monthly rate element charges associated with the service (i.e., Entrance Facility, Direct Trunked Transport and Multiplexing).

CANCELLED

OCT 20 1999
By ISRS 37
Public Service Commission
MISSOURI

JAN 1 1996
96-147
MO. PUBLIC SERVICE COM. M.

ACCESS SERVICE

RECEIVED

DEC 28 1995

2. General Regulations (Cont'd)

2.4 Payment Arrangements and Credit Allowances (Cont'd)

MISSOURI

Public Service Commission

2.4.7 Access Services Provided by More Than One Telephone Company
(Cont'd)

(B) Multiple Company (Interconnection Point) Billing (Con't)

(a) For Switched Access

(i) For Feature Group C and D Switched Access service, the portion of the Local Transport provided by the Telephone Company is not distance sensitive. The Local Transport rate described in 17.2.2 will apply to the total number of access minutes. The rate charged for the portion of Local Transport provided by a connecting exchange Telephone Company will be based on the connecting exchange Telephone Company's access tariff and may be distance sensitive.

(ii) For Feature Group A and B Switched Access service, determine the appropriate Local Transport by computing the number of airline miles between the Telephone Company premises as set forth in 6.4.6 using the V&H Method set forth in EXCHANGE CARRIER ASSOCIATION TARIFF WIRE CENTER & INTERCONNECTION INFORMATION, which represents the portion of the service provided by each Telephone Company. Multiply the number of access minutes of use times the number of airline miles, as set forth above, times the BP for each Telephone Company, as set forth above, times the Local Transport rate.

CANCELLED

OCT 28 1998
By 1st Rev. P. 45
Public Service Commission
MISSOURI

For intraLATA LEC to LEC traffic, V&H coordinates and billing percentages will be determined from the Missouri PSC Plan intraLATA Data Base.

FILED
96-147

JAN 1 1996

MO. PUBLIC SERVICE COMM.

ACCESS SERVICE

RECEIVED

DEC 28 1995

MISSOURI

Public Service Commission

2. General Regulations (Cont'd)

2.6 Definitions

Certain terms used herein are defined as follows:

Access Code

The term "Access Code" denotes a uniform five or seven digit access code assigned by the Telephone Company to an individual customer. The five digit access code has the form 10XXX, and the seven digit code has the form 950-1XXX or 950-0XXX.

Access Minutes

For the purpose of calculating chargeable usage, the term "Access Minutes" denotes customer usage of exchange facilities in the provision of intrastate service. On the originating end of an intrastate call, usage is measured from the time the originating end user's call is delivered by the Telephone Company to and acknowledged as received by the customer's facilities connected with the originating exchange. On the terminating end of an interstate call, usage is measured from the time the call is received by the end user in the terminating exchange. Timing of usage at both originating and terminating ends of an interstate call shall terminate when the calling or called party disconnects, whichever event is recognized first in the originating and terminating exchanges, as applicable.

Access Tandem

The term "Access Tandem" denotes a Telephone Company switching system that provides a concentration and distribution function for originating or terminating traffic between end offices and a customer designated premises.

CANCELLED

DEC 13 1998

By *ISRS#49*
Public Service Commission
MISSOURI

FILED

96 - 147
JAN 1 1996

MO. PUBLIC SERVICE COMM.

ACCESS SERVICE

RECEIVED

DEC 26 1995

MISSOURI
Public Service Commission

2. General Regulations (Cont'd)

2.6 Definitions (Cont'd)

C-Notched Noise

The term "C-Notched Noise" denotes the C-message frequency weighted noise on a voice channel with a holding tone, which is removed at the measuring end through a notch (very narrow band) filter.

Coin Station

See Pay Telephone.

Common Line

The term "Common Line" denotes a line, trunk, pay telephone line or other facility provided under the general and/or local exchange service tariffs of the Telephone Company, terminated on a central office switch. A common line-residence is a line or trunk provided under the residence regulations of the general and/or local exchange service tariffs. A common line-business is a line provided under the business regulations of the general and/or local exchange service tariffs.

Common Channel Signaling

The term "Common Channel Signaling" (CCS) denotes a high speed packet switched communications network which is separate (out of band) from the public packet switched and message networks. Its purpose is to carry addressed signaling messages for individual trunk circuits and/or database related services between Signaling Points in the CCS network.

Communications System

The term "Communications System" denotes channels and other facilities which are capable of communications between terminal equipment provided by other than the Telephone Company.

Customer(s)

The term "Customer(s)" denotes any individual, partnership, association, joint-stock company, trust, corporation, or governmental entity or other entity which subscribes to the services offered under this tariff, including both Interexchange Carriers (ICs) and End Users.

FILED
96 - 147
JAN 1 1996

MO. PUBLIC SERVICE COMM.

ACCESS SERVICE

RECEIVED

DEC 26 1995

MISSOURI
Public Service Commission

2. General Regulations (Cont'd)

2.6 Definitions (Cont'd)

Milliwatt (102 Type) Test Line

The term "Milliwatt (102 Type) Test Line" denotes an arrangement in an end office which provides a 1004 Hz tone at 0 dBm0 for one-way transmission measurements towards the customer's premises from the Telephone Company end office.

Mobile Telephone Switching Office (MTSO)

The term "Mobile Telephone Switching Office (MTSO)" denotes a Cellular Mobile Carrier (CMC) switching system that is used to terminate mobile stations for purposes of interconnection to each other and to trunks interfacing with the public switched network.

Network Control Signaling

The term "Network Control Signaling" denotes the transmission of signals used in the telecommunications system which perform functions such as supervision (control, status, and charge signals), address signaling (e.g., dialing), calling and called number identifications, rate of flow, service selection error control and audible tone signals (call progress signals indicating re-order or busy conditions, alerting, coin denominations, coin collect and coin return tones) to control the operation of the telecommunications system.

Nonsynchronous Test Line

The term "Nonsynchronous Test Line" denotes an arrangement in step-by-step end offices which provides operational tests which are not as complete as those provided by the synchronous test lines, but can be made more rapidly.

North American Numbering Plan

The term "North American Numbering Plan" denotes a three-digit area code (Numbering Plan Area - NPA) and a seven-digit telephone number made up of a three-digit Central Office prefix plus a four-digit station number.

Off-hook

The term "Off-hook" denotes the active condition of Switched Access or a Telephone Exchange Service line.

CANCELLED

OCT 20 1999

By *[Signature]*
Public Service Commission
MISSOURI

FILED
96-147
JAN 1 1996

MO. PUBLIC SERVICE COMM.

ACCESS SERVICE

RECEIVED

DEC 26 1995

MISSOURI
Public Service Commission2. General Regulations (Cont'd)2.6 Definitions (Cont'd)Terminating Direction

The term "Terminating Direction" denotes the use of Access Service for the completion of calls from an IC premises to an End User Premises.

Transmission Measuring (105 Type) Test Line/Responder

The term "Transmission Measuring (105 Type) Test Line/Responder" denotes an arrangement in an end office which provides far-end access to a responder and permits two-way loss and noise measurements to be made on trunks from a near end office.

Transmission Path

The term "Transmission Path" denotes an electrical path capable of transmitting signals within the range of the service offering, e.g., a voice grade transmission path is capable of transmitting voice frequencies within the approximate range of 300 to 3000 Hz. A transmission path is comprised of physical or derived facilities consisting of any form or configuration of plant typically used in the telecommunications industry.

Trunk

The term "Trunk" denotes a communications path connecting two switching systems in a network, used in the establishment of an end-to-end connection.

Trunk Group

The term "Trunk Group" denotes a set of trunks which are traffic engineered as a unit for the establishment of connections between switching systems in which all of the communications paths are interchangeable.

Trunk Side Connection

The term "Trunk Side Connection" denotes the connection of a transmission path to the trunk side of a local exchange switching system.

Two-Wire to Four-Wire Conversion

The term "Two-Wire to Four-Wire Conversion" denotes an arrangement which converts a four-wire transmission path to a two-wire transmission path to allow a four-wire facility to terminate in a two-wire end office (e.g., a central office switch).

FILED

96 - 147
JAN 1 - 1996

MO. PUBLIC SERVICE COMM.

Issued: December 26, 1995

Effective: January 1, 1996

CANCELLED
March 26, 2012
Missouri Public
Service Commission
JI-2012-0331

One Allied Drive
Little Rock, Arkansas 72203

ACCESS SERVICE

RECEIVED

DEC 20 1995

MISSOURI
Public Service Commission

3. Carrier Common Line Access Service (Cont'd)

3.8 Rate Regulations (Cont'd)

3.8.5 Determination of Charges (Cont'd)

(D) Terminating Access, per minute charge(s) apply to:

- all terminating access minutes of use;
- less those terminating access minutes of use associated with Mobile Telephone Switching Offices (MTSOs).
- all originating access minutes of use associated with FGA Access Services where the off-hook supervisory signaling is forwarded by the Customer's equipment when the called party answers;
- all originating access minutes of use associated with calls placed to 500, 700, 800 and 900 numbers
- less those originating access minutes of use associated with calls placed to 500, 700, 800 and 900 numbers that terminate on a Switched Access Service that is assessed terminating Carrier Common Line charges.

This usage is determined using information supplied by the Customer. The Customer's report to the Telephone Company shall include either the number of calls or minutes placed to 500, 700, 800 and 900 numbers that terminate on a Switched Access Service that is assessed terminating Carrier Common Line charges. The Customer shall update this information at least semi-annually.

CANCELLED

MAR 1 1996
BY *let P.S. # 96*
Public Service Commission
MISSOURI

FILED
96 - 147
JAN 1 1996

MO. PUBLIC SERVICE COMM.

ACCESS SERVICE

RECEIVED

3. Carrier Common Line Access Service (Cont'd)

DEC 25 1995

3.8 Rate Regulations (Cont'd)

MISSOURI
Service Commission

3.8.5 Determination of Premium and Non-Premium Charges (Cont'd)

(E) The originating Access, per minute charge(s) apply to:

- all originating access minutes of use;
- less those originating access minutes of use associated with FGA Access Services where the off-hook supervisory signaling is forwarded by the Customer's equipment when the called party answers;
- less those originating access minutes of use associated with Mobile Telephone Switching Offices (MTSOs).
- less those originating minutes of use associated with calls placed to 500, 700, 800 and 900 numbers;
- plus all originating access minutes of use associated with calls placed to 500, 700, 800 and 900 numbers for which the Customer furnishes for each month a report of either the number of calls or minutes or a report of the percent of calls or minutes that terminate in a Switched Access Service that is assessed Carrier Common Line charges, and for which a corresponding reduction in the number of terminating access minutes of use has been made as set forth in (D) preceding.

CANCELLED

MAR 1 1996
BY *1st R.S. #98*
Public Service Commission
MISSOURI

FILED
96-147
JAN 1 1996

MO. PUBLIC SERVICE COMM.

ACCESS SERVICE

5. Access Ordering (Cont'd)

5.2 Ordering Requirements (Cont'd)

5.2.1 Switched Access Service (Cont'd)

(D) SS7 Optional Feature

When FGC or FGD is ordered with the SS7 optional feature, in addition to information listed in 5.2.1(C) preceding, the customer shall specify a reference to existing signaling connections or reference a related SS7 signaling connection order. When ordering SS7 signaling, the customer shall provide the Signaling Transfer Point codes, location identifier codes and circuit identifier codes. In addition, the customer shall work cooperatively with the Telephone Company to determine the number of SS7 signaling connections required to handle its signaling traffic.

For 800 Data Base Access Service, as described in 6.1.3(A) and (C) following, the customer must order FGC or FGD to those access tandems or end offices designated as SSPs for 800 Database service in NATIONAL EXCHANGE CARRIER ASSOCIATION, INC. TARIFF FCC NO. 4. Direct trunk routes can only be provided from end offices equipped to query centralized data bases. All traffic originating from end offices not equipped to provide SS7 signaling and routing, require routing via an access tandem where SSP functionality is available.

RECEIVED

DEC 26 1995

MISSOURI
Public Service Commission

CANCELLED

MAR 1 1996
BY let R.S. #108
Public Service Commission
MISSOURI

FILED
96 - 147
JAN 1 1996

MO. PUBLIC SERVICE COMM.

Issued: December 26, 1995

Effective: January 1, 1996

One Allied Drive
Little Rock, Arkansas 72203

ACCESS SERVICE

RECEIVED

DEC 26 1995

MISSOURI
Public Service Commission

5. Access Ordering (Cont'd)

5.5 Minimum Periods and Cancellations

5.5.1 Minimum Periods

The minimum period for part-time Video and Program Audio Special Access Services is one day even though the service will be provided only for the duration of the event specified on the order (e.g., one-half hour, two hours, five hours, etc.).

Switched Access Service has no minimum period. The minimum period for which all other Access Service is provided and for which charges are applicable, is one month.

5.5.2 Development of Minimum Period Charges

When Access Service is disconnected after commencement of service but prior to the expiration of the minimum period, charges are applicable for the balance of the minimum period. A disconnect constitutes facilities being returned to available inventory.

The Minimum Period Charge for monthly billed services will be determined as follows:

- (A) For Switched Access Service, the charge for a month or fraction thereof is equal to the applicable recurring charges plus any nonrecurring and/or special construction charge(s) that may be due.
- (B) For Special Access Service, the charge for a month or fraction thereof is the applicable monthly rates for the appropriate channel type plus any optional features, nonrecurring and/or special construction charge(s) that may apply.

FILED
96-747
JAN 1 1996

MO. PUBLIC SERVICE COMM.

Issued: December 26, 1995

Effective: January 1, 1996

CANCELLED
February 5, 2009
Missouri Public
Service Commission
JI-2009-0498

One Allied Drive
Little Rock, Arkansas 72203

RECEIVED

DEC 26 1995

ACCESS SERVICE

MISSOURI
Public Service Commission

6. Switched Access Service (Cont'd)

6.1 General (Cont'd)

6.1.1 Description and Provision of Switched Access Service Arrangements

(A) Description

Switched Access Service is provided in four different Feature Group arrangements which are service categories of standard and optional features. These are differentiated by their technical characteristics, e.g., line side vs. trunk side connection at the Telephone Company first point of switching. They are also differentiated by optional feature availability and the manner in which the end user accesses them in originating calling, e.g., with or without access codes of various lengths and digits.

The provision of each Feature Group requires Local Transport facilities and the appropriate End Office functions. In addition, Special Access Service may, at the option of the customer, be connected with Feature Groups A, B, C, or D at Telephone Company designated WATS Serving Offices.

There are three specific transmission specifications (i.e., Types A, B and C) that have been identified for the provision of Feature Groups. The specifications provided are dependent on the Interface Group and the routing of the service, i.e., whether the service is routed directly to the end office or via an access tandem. The parameters for the transmission specifications are set forth in 15.1.2 following.

FILED
96 - 147
JAN 1 1996

MO. PUBLIC SERVICE COMM.

Issued: December 26, 1995

Effective: January 1, 1996

CANCELLED
July 1, 2012
Missouri Public
Service Commission
TT-2012-0317; YI-2012-0647

One Allied Drive
Little Rock, Arkansas 72203

ACCESS SERVICE

RECEIVED

6. Switched Access Service (Cont'd)

JAN 30 1996

6.1 General (Cont'd)

MISSOURI

6.1.1 Description and Provision of Switched Access Arrangements (Cont'd) ~~Public Service Commission~~

(B) Manner of Provision (Cont'd)

Because some customers will wish to further segregate their originating traffic into separate trunk groups, or because segregation may be required by network considerations originating BHMCS are further categorized into Domestic, 800/888, 900, Operator and IDDD. Domestic BHMCS represent access capacity for carrying only domestic traffic other than 800/888, 900 and Operator traffic; IDDD BHMCS represent access capacity for carrying only international traffic; and, 800/888, 900 and Operator BHMCS represent access capacity for carrying, respectively, only 800/888, 900 or Operator traffic. When ordering such types of access capacity, the customer must specify Domestic, 800/888, 900, Operator or IDDD BHMCS. (T)

6.1.2 Ordering Options and Conditions

Switched Access Service is ordered under the Access Order provisions set forth in 5.2 preceding. Also, included in that section are regulations concerning miscellaneous service order charges which may be associated with Switched Access Service ordering (e.g., Service Date Changes, Cancellations, etc.).

6.1.3 Rate Categories

There are four rate categories which apply to Switched Access Service:

- Local Transport (described in 6.1.3(A) following)
- End Office (described in 6.1.3(B) following)
- Chargeable Optional Features (described in 6.1.3(C) following)
- Common Line (described in Section 3. preceding)

CANCELLED

DEC 13 1998
By *2nd RS #129*
Public Service Commission
MISSOURI

FILED

MAR 1 1996

Issued: January 31, 1996

Effective ~~NO. PUBLIC SERVICE COMM~~

ACCESS SERVICE

RECEIVED

DEC 26 1995

MISSOURI

Public Service Commission

6. Switched Access Service (Cont'd)

6.1 General (Cont'd)

6.1.1 Description and Provision of Switched Access Service Arrangements (Cont'd)

(B) Manner of Provision (Cont'd)

Because some customers will wish to further segregate their originating traffic into separate trunk groups, or because segregation may be required by network considerations originating BHMCS are further categorized into Domestic, 800, 900, Operator and IDDD. Domestic BHMCS represent access capacity for carrying only domestic traffic other than 800, 900 and Operator traffic; IDDD BHMCS represent access capacity for carrying only international traffic; and, 800, 900 and Operator BHMCS represent access capacity for carrying, respectively, only 800, 900 or Operator traffic. When ordering such types of access capacity, the customer must specify Domestic, 800, 900, Operator or IDDD BHMCS.

6.1.2 Ordering Options and Conditions

Switched Access Service is ordered under the Access Order provisions set forth in 5.2 preceding. Also, included in that section are regulations concerning miscellaneous service order charges which may be associated with Switched Access Service ordering (e.g., Service Date Changes, Cancellations, etc.).

6.1.3 Rate Categories

There are four rate categories which apply to Switched Access Service:

- Local Transport (described in 6.1.3(A) following)
- End Office (described in 6.1.3(B) following)
- Chargeable Optional Features (described in 6.1.3(C) following)
- Common Line (described in Section 3. preceding)

CANCELLED

MAR 1 1995
BY let R.S. #129
Public Service Commission
MISSOURI

FILED
96 - 147
JAN 1 1996

MO. PUBLIC SERVICE COMM.

ACCESS SERVICE

RECEIVED

DEC 26 1995

MISSOURI

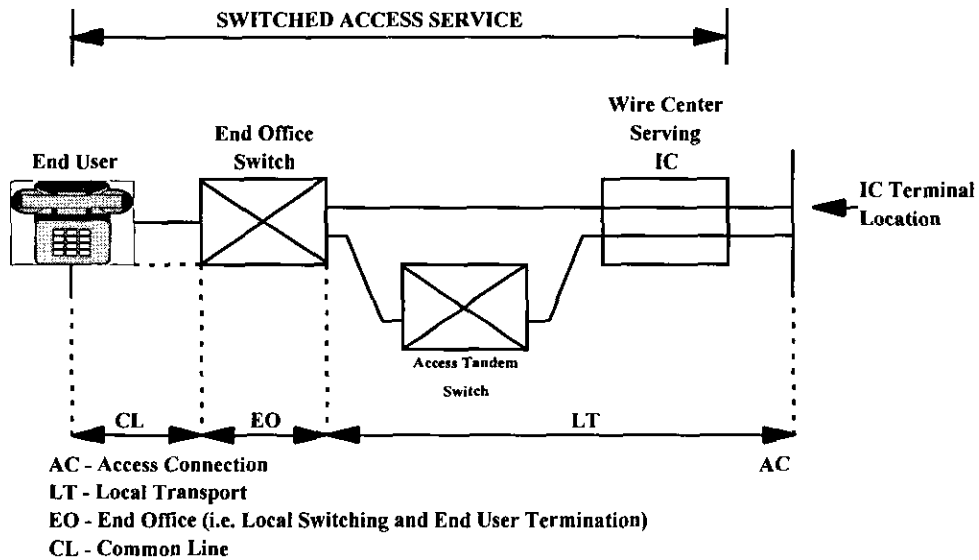
Public Service Commission

6. Switched Access Service (Cont'd)

6.1 General (Cont'd)

6.1.3 Rate Categories (Cont'd)

The following diagram depicts a generic view of the components of Switched Access Service and the manner in which the components are combined to provide a complete Access Service.



FILED
96 - 147
JAN 1 1996

MO. PUBLIC SERVICE COMM.

Issued: December 26, 1995

Effective: January 1, 1996

CANCELLED
July 1, 2012
Missouri Public
Service Commission
TT-2012-0317; YI-2012-0647

One Allied Drive
Little Rock, Arkansas 72203

ACCESS SERVICE

RECEIVED

DEC 26 1995

MISSOURI
Public Service Commission

6. Switched Access Service (Cont'd)

6.1 General (Cont'd)

6.1.3 Rate Categories (Cont'd)

(A) Local Transport

The Local Transport rate category establishes the charges related to the transmission and tandem switching facilities between the customer designated premises and the end office switch(es) where the customer's traffic is switched to originate or terminate the customer's communications. For purposes of determining Local Transport Facility measurement, distance will be measured from the wire center that normally serves the customer designated premises to the end office switch(es), which may be a Remote Switching Module(s). Exceptions to the Local Transport Facility measurement rules are set forth in 6.4.6 following and in this section.

Local Transport is a two-way voice frequency transmission path composed of facilities determined by the Telephone Company. The two-way voice frequency transmission path permits the transport of calls in the originating direction (from the end user end office switch to the customer designated premises) and in the terminating direction (from the customer designated premises to the end office switch), but not simultaneously. The voice frequency transmission path may be comprised of any form or configuration of plant capable of and typically used in the telecommunications industry for the transmission of voice and associated telephone signals within the frequency bandwidth of approximately 300 to 3000 Hz.

The Telephone Company will work cooperatively with the customer in determining (1) whether the service is to be directly routed to an end office switch or through an access tandem switch, and (2) the directionality of the service. Local Transport rates are found in Section 17.2.2.

FILED
96-147
JAN 1 1996

MO. PUBLIC SERVICE COMM.

Issued: December 26, 1995

Effective: January 1, 1996

CANCELLED
July 1, 2012
Missouri Public
Service Commission
TT-2012-0317; YI-2012-0647

One Allied Drive
Little Rock, Arkansas 72203

ACCESS SERVICE

RECEIVED

DEC 26 1995

MISSOURI
Public Service Commission

6. Switched Access Service (Cont'd)

6.1 General (Cont'd)

6.1.3 Rate Categories (Cont'd)

(A) Local Transport (Cont'd)

(1) Interface Groups

Ten Interface Groups are provided for terminating the Local Transport at the customer's designated premises. Technical specifications concerning the available interface groups are set forth in 15.1 following.

(2) Nonchargeable Optional Features

Where transmission facilities permit, the individual transmission path between the customer's designated premises and the first point of switching may at the option of the customer be provided with the following optional features as set forth and described in 15.1.1(E) following.

- Supervisory Signaling
- Customer Specified Entry Switch Receive Level
- Customer Specification of Local Transport Termination

When a customer utilizes the CCS network at appropriately equipped Telephone Company end offices, the following optional features are made available and are described in 6.10.1 following.

- SS7 Signaling
- Calling Party Number
- Carrier Selection Parameter
- Charge Number Parameter

FILED
96 - 147
JAN 1 1996

MO. PUBLIC SERVICE COMM.

Issued: December 26, 1995

Effective: January 1, 1996

CANCELLED
July 1, 2012
Missouri Public
Service Commission
TT-2012-0317; YI-2012-0647

One Allied Drive
Little Rock, Arkansas 72203

ACCESS SERVICE

Missouri Public
Service Commission

6. Switched Access Service (Cont'd)

REC'D SEP 16 1999

6.1 General (Cont'd)

6.1.3 Rate Categories (Cont'd)

(A) Local Transport (Cont'd)

(3) Chargeable Optional Features

800/888/877 Database Access Service is provided to all customers in conjunction with FGC and FGD switched access service. A Basic or Enhanced Query charge, as set forth in 17.2.2(D) following, is assessed for each completed query returned from the 800/888/877 data base whether or no the actual call is delivered to the customer. The query is considered completed when the appropriate call routing information is returned to the Service Switching Point (SSP) that launched the query. The Basic Query provides the identification of the customer to whom the call will be delivered and includes area of service routing which allows routing of 800/888/877 calls by telephone companies to different interexchange carriers based on the Local Access Transport Area (LATA) in which the call originates. The Enhanced Query provides this same customer identification function in addition to vertical features which may include: (1) call validation (ensuring that calls originate from subscribed service areas); (2) POTS translation of 800/888/877 numbers (which is generally necessary for the routing of 800/888/877 calls); (3) alternate POTS translation (which allows subscribers to vary the routing of 800/888/877 calls based on factors such as time of day, place of origination of the call, etc.); and (4) multiple carrier routing (which allows subscribers to route to different carriers based on factors similar to those in (3)).

(T)

Missouri Public
Service Commission
00 - 268
FILED OCT 20 1999

Issued: September 16, 1999

Effective: [REDACTED]

CANCELLED
July 1, 2012
Missouri Public
Service Commission
TT-2012-0317; YI-2012-0647

One Allied Drive
Little Rock, Arkansas 72203

OCT 20 1999

ACCESS SERVICE

Missouri Public
Service Commission

6. Switched Access Service (Cont'd)

6.1 General (Cont'd)

6.1.3 Rate Categories (Cont'd)

(A) Local Transport (Cont'd)

(3) Chargeable Optional Features

800/888/877 Database Access Service is provided (C)
to all customers in conjunction with FGC and
FGD switched access service. A Basic or
Enhanced Query charge, as set forth in
17.2.2(D) following, is assessed for each
completed query returned from the (C)
800/888/877 data base whether or no the actual
call is delivered to the customer. The query is
considered completed whin the appropriate call
routing information is returned to the Service
Switching Point (SSP) that launched the query.
The Basic Query provides the identification of
the customer to whom the call will be delivered
and includes area of service routing which
allows routing of 800/888/877 calls by (C)
telephone companies to different interexchange
carriers based on the Local Access Transport
Area (LATA) in which the call originates. The
Enhanced Query provides this same customer
identification function in addition to vertical
features which may include: (1) call validation
(ensuring that calls originate from subscribed
service areas); (2) POTS translation of (C)
800/888/877 numbers (which is generally (C)
necessary for the routing of 800/888/877
calls); (3) alternate POTS translation (which
allows subscribers to vary the routing of
800/888/877 calls based on factors such as time (C)
of day, place of origination of the call,
etc.); and (4) multiple carrier routing (which
allows subscribers to route to different
carriers based on factors similar to those in
(3)).

CANCELLED

OCT 20 1999
By *HR* #133
Public Service Commission
MISSOURI

Missouri Public
Service Commission

FILED DEC 13 1998

Issued: November 13, 1998

Effective: December 13, 1998

One Allied Drive
Little Rock, Arkansas 72203

ACCESS SERVICE

6. Switched Access Service (Cont'd)

JUL 30 1997

6.1 General (Cont'd)

6.1.3 Rate Categories (Cont'd)

(A) Local Transport (Cont'd)

(3) Chargeable Optional Features

800/888 Database Access Service is provided to all customers in conjunction with FGC and FGD switched access service. A Basic or Enhanced Query charge, as set forth in 17.2.2(D) following, is assessed for each completed query returned from from the 800/888 data base whether or no the actual call is delivered to the customer. The query is considered completed whin the appropriate call routing information is returned to the Service Switching Point (SSP) that launched the query. The Basic Query provides the identification of the customer to whom the call will be delivered and includes area of service routing which allows routing of 800/888 calls by telephone companies to different interexchange carriers based on the Local Access Transport Area (LATA) in which the call originates. The Enhanced Query provides this same customer identification function in addition to vertical features which may include: (1) call validation (ensuring that calls originate from subscribed service areas); (2) POTS translation of 800/888 numbers (which is generally necessary for the routing of 800/888 calls); (3) alternate POTS translation (which allows subscribers to vary the routing of 800/888 calls based on factors such as time of day, place of origination of the call, etc.); and (4) multiple carrier routing (which allows subscribers to route to different carriers based on factors similar to those in (3)).

(C)
|
(C)

CANCELLED

DEC 13 1998
By 3rd Q8 #133
Public Service Commission
MISSOURI

FILED

SEP - 6 1997

MISSOURI
Public Service Commission

Issued: July 30, 1997

Effective: ~~SEP 06 1997~~

One Allied Drive
Little Rock, Arkansas 72203

SEP 06 1997

ACCESS SERVICE

RECEIVED

6. Switched Access Service (Cont'd)

JAN 30 1995

6.1 General (Cont'd)

**MISSOURI
Public Service Commission**

6.1.3 Rate Categories (Cont'd)

(A) Local Transport (Cont'd)

(3) Chargeable Optional Features

800/888 Database Access Service is provided to all customers in conjunction with FGC and PGD switched access service. A Basic or Enhanced Query charge, as set forth in 17.2.2(D) following, is assessed for each query launched to the 800/888 data base. The Basic Query provides the identification of the customer to whom the call will be delivered and includes area of service routing which allows routing of 800/888 calls by telephone companies to different interexchange carriers based on the Local Access Transport Area (LATA) in which the call originates. The Enhanced Query provides this same customer identification function in addition to vertical features which may include: (1) call validation (ensuring that calls originate from subscribed service areas); (2) POTS translation of 800/888 numbers (which is generally necessary for the routing of 800/888 calls); (3) alternate POTS translation (which allows subscribers to vary the routing of 800/888 calls based on factors such as time of day, place of origination of the call, etc.); and (4) multiple carrier routing (which allows subscribers to route to different carriers based on factors similar to those in (3)).

CANCELLED

SEP - 6 1997
By 2nd P.S. #133
Public Service Commission
MISSOURI

FILED

MAR 1 1996

MO. PUBLIC SERVICE COMM

Issued: January 31, 1996

Effective: March 1, 1996

ACCESS SERVICE

6. Switched Access Service (Cont'd)

6.1 General (Cont'd)

6.1.3 Rate Categories (Cont'd)

(A) Local Transport (Cont'd)

(3) Chargeable Optional Features

800 Database Access Service is provided to all customers in conjunction with FGC and FGD switched access service. A Basic or Enhanced Query charge, as set forth in 17.2.2(D) following, is assessed for each query launched to the 800 data base. The Basic Query provides the identification of the customer to whom the call will be delivered and includes area of service routing which allows routing of 800 calls by telephone companies to different interexchange carriers based on the Local Access Transport Area (LATA) in which the call originates. The Enhanced Query provides this same customer identification function in addition to vertical features which may include: (1) call validation (ensuring that calls originate from subscribed service areas); (2) POTS translation of 800 numbers (which is generally necessary for the routing of 800 calls); (3) alternate POTS translation (which allows subscribers to vary the routing of 800 calls based on factors such as time of day, place of origination of the call, etc.); and (4) multiple carrier routing (which allows subscribers to route to different carriers based on factors similar to those in (3)).

RECEIVED

DEC 26 1995

MISSOURI
Public Service Commission

CANCELLED

MAR 1 1996
BY *let P.S.#133*
Public Service Commission
MISSOURI

FILED
96-147
JAN 7 1996

MO. PUBLIC SERVICE COMM.

ACCESS SERVICE

RECEIVED

DEC 26 1995

MISSOURI
Public Service Commission

6. Switched Access Service (Cont'd)

6.1 General (Cont'd)

6.1.3 Rate Categories (Cont'd)

(B) End Office

The End Office rate category establishes the charges related to the local end office switching and end user termination functions necessary to complete the transmission of Switched Access communications to and from the end users served by the local end office. The End Office rate category includes the Local Switching, Line Termination and Directory Assistance Information Surcharge rate elements.

CANCELLED

OCT 28 1998
By *15 rw. pg. 134*
Public Service Commission
MISSOURI

FILED
96-147
JAN 1 1996

MO. PUBLIC SERVICE COMM.

ACCESS SERVICE

RECEIVED

DEC 26 1995

MISSOURI
Public Service Commission

6. Switched Access Service (Cont'd)

6.1 General (Cont'd)

6.1.3 Rate Categories (Cont'd)

(B) End Office (Cont'd)

(1) Local Switching

The Local Switching rate element establishes the charges related to the use of end office switching equipment, the terminations in the end office of end user lines, and the terminations of calls at Telephone Company Intercept Operators or recordings. The premium charge is divided into two distinct categories, i.e., Local Switching 1 and Local Switching 2. The first category, Local Switching 1, is applicable to Feature Groups A and B. Local Switching 1 does not apply to:

- Feature Group B when utilized to provide MTS/WATS service,
- Feature Groups A and B used for terminating inward WATS and WATS-type service at an equal access WATS Serving Office.

The second category, Local Switching 2, is applicable to:

- Feature Groups C and D,
- FGB when utilized to provide MTS/WATS service,

CANCELLED

MAR 13 1999
By *lrs* #135
Public Service Commission
MISSOURI

FILED

96 - 147
JAN 1 - 1996

MO. PUBLIC SERVICE COMM.

Issued: December 26, 1995

Effective: January 1, 1996

One Allied Drive
Little Rock, Arkansas 72203

ACCESS SERVICE

RECEIVED

DEC 26 1995

MISSOURI
Public Service Commission

6. Switched Access Service (Cont'd)

6.1 General (Cont'd)

6.1.3 Rate Categories (Cont'd)

(B) End Office (Cont'd)

(1) Local Switching (Cont'd)

- Feature Groups A and B used for terminating inward WATS and WATS-type service at an equal access WATS Serving Office, and

Local Switching does not apply to Feature Groups B and D Switched Access Services associated with Mobile Telephone Switching Offices (MTSOs) directly interconnected to a Telephone Company access tandem office.

Where end offices are appropriately equipped, international dialing may be provided as a capability associated with Local Switching 2 which provides local dial switching for Feature Groups C and D. International dialing provides the capability of switching international calls with service prefix and address codes having more digits than are capable of being switched through a standard FGC or FGD equipped end office.

Rates for Local Switching 1 and Local Switching 2 are set forth in 17.2.3(A)(1) following. The application of these rates with respect to individual Feature Groups is as set forth in 6.4.1(C) following.

There are three types of functions included in the Local Switching rate element: Common Switching, Transport Termination, and Intercept. These are described in (a) through (c) following.

CANCELLED

OCT 28 1998
By *1st W. P. 134*
Public Service Commission
MISSOURI

FILED
96-147
JAN 7 1996

MO. PUBLIC SERVICE COMM.

Issued: December 26, 1995

Effective: January 1, 1996

One Allied Drive
Little Rock, Arkansas 72203

ACCESS SERVICE

RECEIVED

DEC 26 1995

MISSOURI
Public Service Commission

6. Switched Access Service (Cont'd)

6.1 General (Cont'd)

6.1.3 Rate Categories (Cont'd)

(B) End Office (Cont'd)

(1) Local Switching (Cont'd)

(c) Intercept

The Intercept function provides for the termination of a call at a Telephone Company Intercept operator or recording. The operator or recording tells a caller why a call, as dialed, could not be completed, and if possible, provides the correct number.

(2) Line Termination

The Line Termination rate element provides for the terminations of end user lines in the local end office. There are two types of Line Terminations, i.e., Common Line Terminations and Special Access Service Terminations utilized in the provision of WATS or WATS-type services at Telephone Company designated WATS Serving Offices. Rates for Line Terminations are set forth in Section 17.2.3(B).

The above Special Access Service Terminations are differentiated by line side vs. trunk side terminations. In addition, there are various types of originating and terminating line side terminations depending on the type of signaling associated with the Special Access Service. Line side terminations are available with either dial pulse or dual tone multifrequency address signaling.

CANCELLED
OCT 28 1998
By *LSW. P. 138*
Public Service Commission
MISSOURI

FILED
96-147
JAN 1 1996

MO. PUBLIC SERVICE COMM.

ACCESS SERVICE

RECEIVED

DEC 26 1995

MISSOURI
Public Service Commission

6. Switched Access Service (Cont'd)

6.1 General (Cont'd)

6.1.3 Rate Categories (Cont'd)

(B) End Office (Cont'd)

(3) Directory Assistance Information Surcharge

Directory Assistance Information Surcharge rates are assessed to a customer based on the total number of access minutes. Information Surcharge rates are as set forth in 17.2.3(C) following. The application of these rates with respect to individual Feature Groups is as set forth in 6.4.1(C) following.

The Information Surcharge does not apply to Feature Groups B and D Switched Access Services associated with Mobile Telephone Switching Offices (MTSOs) directly interconnected to a Telephone Company access tandem office.

The number of end office switching transmission paths will be determined as set forth in 6.2.5 following.

CANCELLED

OCT 28 1998
By *ISA RW-Pg-139*
Public Service Commission
MISSOURI

FILED
96 - 147
JAN 1 1996

MO. PUBLIC SERVICE COMM.

Issued: December 26, 1995

Effective: January 1, 1996

One Allied Drive
Little Rock, Arkansas 72203

ACCESS SERVICE

6. Switched Access Service (Cont'd)

JUL 26 1997

6.1 General (Cont'd)

6.1.3 Rate Categories (Cont'd)

(C) Chargeable Optional Features (Cont'd)

(2) 800/888 Data Base Access Service

800/888 Data Base Access Service is provided to all customers in conjunction with FGC and FGD switched access service. When a 1+800/888+NX-XXXX call is originated by an end user, the Telephone Company will utilize the CCS network to query an 800/888 data base to identify the customer to whom the call will be delivered and provide vertical features where applicable based on the dialed ten digits. The call will then be routed to the identified customer over FGC or FGD switched access.

A Basic or Enhanced Query charge, as set forth in 17.2.2(D) following, is assessed for each completed query returned from the data base identifying the customer to whom the call will be delivered whether or not the actual call is delivered to the customer. The query is considered completed when the appropriate call routing information is returned to the Service Switching Point (SSP) that launched the query. The Basic Query provides the identification of the customer to whom the call will be delivered and includes area of service routing which allows routing of 800/888 calls by telephone companies to different interexchange carriers based on the Local Access Transport Area (LATA) in which the call originates. The Enhanced Query provides the same customer identification as the basic query and vertical features which may include: (1) call validation, ensuring that calls originate from subscribed service areas); (2) POTS translation of 800/888 numbers; (3) alternate POTS translation (which allows subscribers to vary the routing of 800/888 calls based on factors such as time of day, place or origination of the call, etc.); and (4) multiple carrier routing (which allows subscribers to route to different carriers based on factors similar to those in (3)).

(C)
|
(C)

CANCELLED
DEC 13 1998
By 3rd RS #142
Public Service Commission
MISSOURI

FILED

The description and application of this charge with respect to FGC or FGD is as set forth in 6.4.1(C)(6) following.

SEP - 6 1997

MISSOURI
Public Service Commission

Issued: July 30, 1997

Effective: ~~July 30, 1997~~

SEP 06 1997

One Allied Drive
Little Rock, Arkansas 72203

ACCESS SERVICE

RECEIVED

6. Switched Access Service (Cont'd)

JAN 30 1996

6.1 General (Cont'd)

**MISSOURI
Public Service Commission**

6.1.3 Rate Categories (Cont'd)

(C) Chargeable Optional Features (Cont'd)

(2) 800/888 Data Base Access Service

(T)

800/888 Data Base Access Service is provided to all customers in conjunction with FGC and FGD switched access service. When a 1+800/888+NXX-XXXX call is originated by an end user, the Telephone Company will utilize the CCS network to query an 800/888 data base to identify the customer to whom the call will be delivered and provide vertical features where applicable based on the dialed ten digits. The call will then be routed to the identified customer over FGC or FGD switched access.

(T)

(T)

(T)

A Basic or Enhanced Query charge, as set forth in 17.2.2(D) following, is assessed for each query launched to the data base. The Basic Query provides the identification of the customer to whom the call will be delivered and includes area of service routing which allows routing of 800/888 calls by telephone companies to different interexchange carriers based on the Local Access Transport Area (LATA) in which the call originates. The Enhanced Query provides the same customer identification as the basic query and vertical features which may include: (1) call validation, (ensuring that calls originate from subscribed service areas); (2) POTS translation of 800/888 numbers; (3) alternate POTS translation (which allows subscribers to vary the routing of 800/888 calls based on factors such as time of day, or origination of the call, etc.); and (4) multiple carrier routing (which allows subscribers to route to different carriers based on factors similar to those in (3)).

(T)

(T)

(T)

The description and application of this charge with respect to FGC or FGD is as set forth in 6.4.1(C)(6) following.

CANCELLED

SEP -6 1997
By 2nd P.S. #
Public Service Commission
MISSOURI

FILED

MAR 1 1996

Issued: January 31, 1996

Effective: March 1, 1996

MO. PUBLIC SERVICE COMM

One Allied Drive
Little Rock, Arkansas 72203

ACCESS SERVICE

RECEIVED

DEC 26 1995

MISSOURI

Public Service Commission

6. Switched Access Service (Cont'd)

6.1 General (Cont'd)

6.1.3 Rate Categories (Cont'd)

(C) Chargeable Optional Features (Cont'd)

(2) 800 Data Base Access Service

800 Data Base Access Service is provided to all customers in conjunction with FGC and FGD switched access service. When a 1+800+NX-XXXX call is originated by an end user, the Telephone Company will utilize the CCS network to query an 800 data base to identify the customer to whom the call will be delivered and provide vertical features where applicable based on the dialed ten digits. The call will then be routed to the identified customer over FGC or FGD switched access.

A Basic or Enhanced Query charge, as set forth in 17.2.2(D) following, is assessed for each query launched to the data base. The Basic Query provides the identification of the customer to whom the call will be delivered and includes area of service routing which allows routing of 800 calls by telephone companies to different interexchange carriers based on the Local Access Transport Area (LATA) in which the call originates. The Enhanced Query provides the same customer identification as the basic query and vertical features which may include: (1) call validation, (ensuring that calls originate from subscribed service areas); (2) POTS translation of 800 numbers; (3) alternate POTS translation (which allows subscribers to vary the routing of 800 calls based on factors such as time of day, place or origination of the call, etc.); and (4) multiple carrier routing (which allows subscribers to route to different carriers based on factors similar to those in (3)).

The description and application of this charge with respect to FGC or FGD is as set forth in 6.4.1(C) following.

CANCELLED

FILED
96-147
JAN 1 1996

MAR 1 1995
BY *let R.S. #142*
Public Service Commission
MISSOURI

MO. PUBLIC SERVICE COMM.
Effective: January 1, 1996

Issued: December 26, 1995

One Allied Drive
Little Rock, Arkansas 72203

ACCESS SERVICE

RECEIVED

JEC 25 1995

MISSOURI
Public Service Commission6. Switched Access Service (Cont'd)6.4 Rate Regulations (Cont'd)6.4.1 Description and Application of Rates and Charges (Cont'd)(B) Nonrecurring Charges (Cont'd)(1) Installation of Service

Nonrecurring charges apply to each Switched Access Service installed. For FGA, which is ordered on a per line basis, and for FGB, FGC and FGD, which is ordered on a per trunk basis, the charge is applied on a per line or trunk basis respectively. For FGC and FGD, which are ordered on a busy hour minutes of capacity basis, the charge is also applied on a per trunk basis. The charge applies only when the capacity for FGA, FGB, FGC, or FGD services ordered, requires the installation or activation of an additional trunk(s) which are uniquely identified for the sole use of the ordering customer.

(2) Interim NXX Translation Optional Feature

This nonrecurring charge applies to the initial order for the installation of the Interim NXX Translation optional feature with Feature Group C or Feature Group D Switched Access Service and for each subsequent order received to add or change NXX translation codes. This charge, if applicable, applies whether this optional feature is installed coincident with or at any time subsequent to the installation of Switched Access Services. This charge is applied by the Telephone Company per order, per LATA or Market Area. When it is necessary for multiple telephone companies to provide the translation function, the nonrecurring charge is assessed only by the Telephone Company that provides the final translation function which identifies the customer's traffic and this traffic is then delivered to the customer's point of termination without any further translation.

Issued: December 26, 1995

Effective: January 1, 1996

One Allied Drive
Little Rock, Arkansas 72203CANCELLED
July 1, 2012
Missouri Public
Service Commission
TT-2012-0317; YI-2012-0647FILED
96-147
JAN 1 1996
MO. PUBLIC SERVICE COMM.

ACCESS SERVICE

Missouri Public
Service Commission

REC'D NOV 13 1998

6. Switched Access Service (Cont'd)

6.4 Rate Regulations (Cont'd)

6.4.1 Description and Application of Rates and Charges (Cont'd)

(C) Application of Rates (Cont'd)

(3) Notice of Equal Access Conversion (Cont'd)

The customer will have the choice of converting all or part of the existing services to equal access (i.e., Feature Group D) or retaining the existing services. The conversion of existing services will be at no charge provided the order to convert such services to Feature Group D is received as set forth in 6.4.3 following. Premium rates will apply to the total access minutes beginning on the actual conversion date, whether the customer chooses to convert to FGD or retain existing services.

(4) 800/888/877 Data Base Access Service

(C)

A Basic Query or Enhanced Query charge applies for each completed query that is returned from the 800/888/877 data base identifying the customer to whom the call will be delivered whether or not the actual call is delivered to the customer. The query is considered completed when the appropriate call routing information is returned to the Service Switching Point (SSP) that launched the query. Query charges, as set forth in 17.2.2(D), will only be applied by those companies whose wire centers are identified as assessing query charges in the NATIONAL EXCHANGE CARRIER ASSOCIATION, INC. TARIFF F.C.C. NO. 4.

(C)

CANCELLED
OCT 20 1999
By *44RS#159*
Public Service Commission
MISSOURI

Missouri Public
Service Commission

FILED DEC 13 1998

Issued: November 13, 1998

Effective: December 13, 1998

One Allied Drive
Little Rock, Arkansas 72203

ACCESS SERVICE

JUL 6 1997

6. Switched Access Service (Cont'd)

6.4 Rate Regulations (Cont'd)

6.4.1 Description and Application of Rates and Charges (Cont'd)

(C) Application of Rates (Cont'd)

(3) Notice of Equal Access Conversion (Cont'd)

The customer will have the choice of converting all or part of the existing services to equal access (i.e., Feature Group D) or retaining the existing services. The conversion of existing services will be at no charge provided the order to convert such services to Feature Group D is received as set forth in 6.4.3 following. Premium rates will apply to the total access minutes beginning on the actual conversion date, whether the customer chooses to convert to FGD or retain existing services.

(4) 800/888 Data Base Access Service

A Basic Query or Enhanced Query charge applies for each completed query that is returned from the 800/888 data base identifying the customer to whom the call will be delivered whether or not the actual call is delivered to the customer. The query is considered completed when the appropriate call routing information is returned to the Service Switching Point (SSP) that launched the query. Query charges, as set forth in 17.2.2(D), will only be applied by those companies whose wire centers are identified as assessing query charges in the NATIONAL EXCHANGE CARRIER ASSOCIATION, INC. TARIFF F.C.C. NO. 4.

(C)
|
(C)

CANCELLED

DEC 13 1998
By 3rd RS #159
Public Service Commission
MISSOURI

FILED

SEP - 6 1997

MISSOURI
Public Service Commission

Issued: July 30, 1997

Effective: ~~August 1, 1997~~

SEP 06 1997

ACCESS SERVICE

RECEIVED

6. Switched Access Service (Cont'd)

JAN 30 1996

6.4 Rate Regulations (Cont'd)

MISSOURI

6.4.1 Description and Application of Rates and Charges Public Service Commission

(C) Application of Rates (Cont'd)

(3) Notice of Equal Access Conversion (Cont'd)

The customer will have the choice of converting all or part of the existing services to equal access (i.e., Feature Group D) or retaining the existing services. The conversion of existing services will be at no charge provided the order to convert such services to Feature Group D is received as set forth in 6.4.3 following. Premium rates will apply to the total access minutes beginning on the actual conversion date, whether the customer chooses to convert to FGD or retain existing services.

(4) 800/888 Data Base Access Service

(T)

A Basic Query or Enhanced Query charge applies for each query that is launched to an 800/888 data base that identifies the customer to whom the call will be delivered. Query charges, as set forth in 17.2.2(D), will only be applied by those companies whose wire centers are identified as assessing query charges in the NATIONAL EXCHANGE CARRIER ASSOCIATION, INC. TARIFF F.C.C. NO. 4.

(T)

CANCELLED

SEP -6 1997
By 2 *ms* K.S. # 159
Public Service Commission
MISSOURI

FILED

MAR 1 1996

Issued: January 31, 1996

Effective: **MO PUBLIC SERVICE COMM**
March 1, 1996

ACCESS SERVICE

RECEIVED

DEC 26 1995

MISSOURI
Public Service Commission

6. Switched Access Service (Cont'd)

6.4 Rate Regulations (Cont'd)

6.4.1 Description and Application of Rates and Charges (Cont'd)

(C) Application of Rates (Cont'd)

(3) Notice of Equal Access Conversion (Cont'd)

The customer will have the choice of converting all or part of the existing services to equal access (i.e., Feature Group D) or retaining the existing services. The conversion of existing services will be at no charge provided the order to convert such services to Feature Group D is received as set forth in 6.4.3 following. Premium rates will apply to the total access minutes beginning on the actual conversion date, whether the customer chooses to convert to FGD or retain existing services.

(4) 800 Data Base Access Service

A Basic Query or Enhanced Query charge applies for each query that is launched to an 800 data base that identifies the customer to whom the call will be delivered. Query charges, as set forth in 17.2.2(D), will only be applied by those companies whose wire centers are identified as assessing query charges in the NATIONAL EXCHANGE CARRIER ASSOCIATION, INC. TARIFF F.C.C. NO. 4.

CANCELLED

MAR 1 1996
BY 1st R.S. # 159
Public Service Commission
MISSOURI

FILED
96-147
JAN 1 1996

Issued: December 26, 1995

Effective: January 1, 1996
MO. PUBLIC SERVICE COM. 11.

ACCESS SERVICE

RECEIVED

6. Switched Access Service (Cont'd)

JAN 30 1996

6.4 Rate Regulations (Cont'd)

6.4.1 Description and Application of Rates and Charges (Cont'd)

**MISSOURI
Public Service Commission**

(C) Application of Rates (Cont'd)

(4) 800/888 Data Base Access Service (Cont'd)

(T)

When FGC or FGD switched access service is used for the provision of 800/888 Data Base Access Service and the total minutes of use and/or count of queries can be determined for each customer at a tandem or SSP but can not be determined by individual end office, an allocation method will be utilized to determine minutes of use and/or queries by end office and customer. For each end office a ratio will be developed and applied against the total minutes of use and/or count of queries for a given customer as determined by the tandem or SSP. These ratios will be developed by dividing the unidentified originating 800/888 minutes of use at an end office by the total unidentified originating minutes of use in all end offices subtending the tandem or SSP. For example, assume:

(T)

(T)

- Three end office (EO-1, EO-2, and EO-3) subtend a tandem

EO-1 measures 2,000 minutes of use	
EO-2 measures 3,000 minutes of use	
EO-3 measures 5,000 minutes of use	
10,000	TOTAL

The tandem delivers 800/888 usage to two customers:

(T)

IC-A has 4,000 minutes of use
 IC-B has 6,000 minutes of use

- The allocation ratio for EO-1 is 20%

2,000/10,000

- The minutes of use to be billed by EO-1 are

800 to IC-A	(20% x 4,000)	
1,200 to IC-B	(20% x 6,000)	
2,000		TOTAL

FILED
MAR 1 1996

CANCELLED
DEC 13 1998
By *2nd RS #1160*
Public Service Commission
MISSOURI

MO. PUBLIC SERVICE COMM

Issued: January 31, 1996

Effective: March 1, 1996

One Allied Drive
Little Rock, Arkansas 72203

ACCESS SERVICE

RECEIVED
DEC 21 1995

6. Switched Access Service (Cont'd)

6.4 Rate Regulations (Cont'd)

MISSOURI
Public Service Commission

6.4.1 Description and Application of Rates and Charges (Cont'd)

(C) Application of Rates (Cont'd)

(4) 800 Data Base Access Service (Cont'd)

When FGC or FGD switched access service is used for the provision of 800 Data Base Access Service and the total minutes of use and/or count of queries can be determined for each customer at a tandem or SSP but can not be determined by individual end office, an allocation method will be utilized to determine minutes of use and/or queries by end office and customer. For each end office a ratio will be developed and applied against the total minutes of use and/or count of queries for a given customer as determined by the tandem or SSP. These ratios will be developed by dividing the unidentified originating 800 minutes of use at an end office by the total unidentified originating minutes of use in all end offices subtending the tandem or SSP. For example, assume:

- Three end office (EO-1, EO-2, and EO-3) subtend a tandem

EO-1 measures 2,000 minutes of 800 use
EO-2 measures 3,000 minutes of 800 use
<u>EO-3 measures 5,000 minutes of 800 use</u>
10,000 TOTAL

- The tandem delivers 800 usage to two customers:

IC-A has 4,000 minutes of use
IC-B has 6,000 minutes of use

- The allocation ratio for EO-1 is 20%

2,000/10,000

- The minutes of use to be billed by EO-1 are

800 to IC-A	(20% x 4,000)
<u>1,200 to IC-B</u>	<u>(20% x 6,000)</u>
2,000	TOTAL

CANCELLED

MAR 1 1996
BY 1st P.S. #160
Public Service Commission
MISSOURI

FILED
96-147
JAN 1 1996

ACCESS SERVICE

RECEIVED

JEC 20 1995

MISSOURI
Public Service Commission

6. Switched Access Service (Cont'd)

6.4 Rate Regulations (Cont'd)

6.4.2 Minimum Monthly Charge

Switched Access Service is subject to a minimum monthly charge. The minimum charge applies for the total capacity provided. The minimum monthly charge is calculated as follows.

For the Local Transport and End Office rate elements, the minimum monthly charge is the sum of the recurring charges set forth in 17.2.2 and 17.2.3 following for either the actual measured usage or the assumed usage prorated to the number of days or major fraction of days based on a 30 day month.

FILED
96-147
JAN 1 1996

Issued: December 26, 1995

Effective: January 1, 1996

MO. PUBLIC SERVICE COMM.

CANCELLED
July 1, 2012
Missouri Public
Service Commission
TT-2012-0317; YI-2012-0647

One Allied Drive
Little Rock, Arkansas 72203

ACCESS SERVICE

RECEIVED

6. Switched Access Service (Cont'd)

JEC 26 1995

6.4 Rate Regulations (Cont'd)

MISSOURI

6.4.6 Mileage Measurement

Public Service Commission

The mileage to be used to determine the monthly rate for Local Transport for Feature Group A and Feature Group B is calculated on the airline distance between the end office switch, where the call carried by Local Transport originates or terminates and the customer's serving wire center, except as set forth in (A) through (F) following.

Where switched access services are routed between a Telephone Company's digital host central office and its corresponding digital remote central office and the digital remote central office is identified by separate and unique NXX and V&H coordinates, the Local Transport Mileage shall be calculated on the airline distance between the customer's serving wire center and the remote end office.

Mileage rates are as set forth in 17.2.2(A) following. To determine the rate to be billed, first compute the airline mileage using the V&H coordinates method. Then find the band into which the computed mileage falls and apply the rate shown for that band. If the calculation results in a fraction of a mile, always round up to the next whole mile before determining the mileage and applying the rates.

Exceptions to the mileage measurement rules are as follows:

(A) Five-Mile Rule

When a non-AT&T customer designated premises is within five miles of an AT&T Class 4 office, the Local Transport mileage for a call which is carried over a Switched Access Service, originating or terminating through an end office switch, shall be the distance as would be determined from that end office switch to the serving wire center for that AT&T Class 4 office unless the customer specifies that for an entire LATA, it wants all measurements determined from its serving wire center. This designation (i.e., which serving wire center to use in calculating mileage) may be changed only once in any 12 month period. Such change will be made without charge(s) to the customer.

CANCELLED
OCT 28 1998
By *JS NW. pg. 164*
Public Service Commission
MISSOURI

FILED
96-147
JAN 1 1996

Issued: December 26, 1995

Effective: January 1, 1996

MO. PUBLIC SERVICE COM. 1.

ACCESS SERVICE

RECEIVED

DEC 26 1995

MISSOURI

Public Service Commission

6. Switched Access Service (Cont'd)

6.4 Rate Regulations (Cont'd)

6.4.6 Mileage Measurement (Cont'd)

(B) Feature Group A

Mileage for access minutes in the originating or terminating direction over Feature Group A Switched Access Service will be calculated on an airline basis, using the V&H coordinates method. The mileage measurement will be between dial tone office (end office switch where the Feature Group A switching dial tone is provided) and the customer's serving wire center for the Switched Access Service provided.

Where originating and/or terminating measurement capability (1) does not exist, or (2) exists but it is not End Office specific, mileage for FGA will be calculated in the unmeasured direction(s) on an airline basis using the V&H coordinates method. This mileage measurement will be between the dial tone office (end office switch where the switching dial tone is provided) and the customers' serving wire center for the Switched Access Services.

(C) Feature Groups C and D

Transport is billed on a per minute of use basis only. Mileage is not applied for Feature Group C or D usage for transport charges.

CANCELLED

OCT 28 1998
By *15 RW. Pj. 165*
Public Service Commission
MISSOURI

FILED
96-147

JAN 1 1996

Issued: December 26, 1995

Effective: January 1, 1996

MO. PUBLIC SERVICE COMM.

ACCESS SERVICE

RECEIVED

DEC 21 1995

MISSOURI
Public Service Commission

6. Switched Access Service (Cont'd)

6.4 Rate Regulations (Cont'd)

6.4.6 Mileage Measurement (Cont'd)

(D) Feature Groups C and D - Alternate Traffic Routing

When the Alternate Traffic Routing optional feature is provided with Feature Groups C and D, the Local Transport access minutes will be apportioned between the two trunk groups used to provide this feature. Such apportionment will be made using: (1) standard Telephone Company traffic engineering methodology and will be based on the last trunk CCS desired for the high usage group, as described in 6.9.1(L) following (Alternate Traffic Routing), and the total busy hour minutes of capacity ordered to the end office, when the feature is provided at an end office switch, or to the subtending end offices when the feature is provided at an access tandem switch, or (2) an apportionment mutually agreed to by the Telephone Company and the customer. This apportionment will serve as the basis for Local Transport mileage calculation.

(E) Feature Group C - Multiple CDPs

When terminating Feature Group C Switched Access Service is provided from multiple customer designated premises to an end office not equipped with measurement capabilities, the total Local Transport access minutes for that end office will be apportioned among the trunk groups accessing the end office on the basis of the individual busy hour minutes of capacity ordered for each of those trunk groups. This apportionment will serve as the basis for Local Transport mileage calculation.

CANCELLED

OCT 28 1998
By *ISW. Pz. 166*
Public Service Commission
MISSOURI

FILED
96 - 147
JAN 1 1996

Issued: December 26, 1995

Effective ~~MO. P.S.C. NO. 3~~ **MO. P.S.C. NO. 3** 1996

ACCESS SERVICE

RECEIVED

DEC 26 1995

MISSOURI
Public Service Commission

6. Switched Access Service (Cont'd)

6.4 Rate Regulations (Cont'd)

6.4.6 Mileage Measurement (Cont'd)

(F) Feature Groups A, B, C and D - WATS

The Local Transport Facility for Feature Groups A, B, C and D Switched Access Service connected with Special Access Service at a WATS Serving Office will be measured between the WATS Serving Office (when measured access minutes of use are used) or between the Feature Group A entry switch (when assumed minutes of use are used) and the serving wire center for the customer designated premises.

(G) Feature Groups B and D - MTSOs Directly Interconnected to Access Tandems

The Local Transport mileage for Feature Groups B and D switched access service provided to Mobile Telephone Switching Offices (MTSOs) directly interconnected to a Telephone Company access tandem office will be determined on an airline basis, using the V&H coordinate method. The mileage will be measured between the customer's serving wire center and the Telephone Company access tandem office to which the MTSO is interconnected.

CANCELLED

OCT 28 1998
By *ISA r/w. pg. 167*
Public Service Commission
MISSOURI

FILED
96-747
JAN 1 1996

Issued: December 26, 1995

Effective: January 1, 1996

MO. PUBLIC SERVICE COMM.

ACCESS SERVICE

RECEIVED

DEC 26 1995

6. Switched Access Service (Cont'd)

6.5 Description and Provision of Feature Group A (FGA) (Cont'd)

MISSOURI

Public Service Commission

6.5.1 Description (Cont'd)

(H) (Cont'd)

for (1) an operator surcharge, as set forth in the local exchange tariffs, for local operator assistance (0- and 0+) calls, (2) calls to certain community information services, for which rates are applicable under Telephone Company exchange service tariffs, e.g., 976 (DIAL IT) Network Services, and, (3) calls from a FGA line to another customer's service in accordance with that customer's applicable service rates when the Telephone Company performs the billing function for that customer.

(I) When a FGA switching arrangement for an individual customer (a single line or entire hunt group) is discontinued at an end office, an intercept announcement is provided. This arrangement provides, for a limited period of time, an announcement that the service associated with the number dialed has been disconnected.

FILED
96 - 147
JAN 1 1996

MO. PUBLIC SERVICE COMMISSION

Issued: December 26, 1995

Effective: January 1, 1996

CANCELLED
July 1, 2012
Missouri Public
Service Commission
TT-2012-0317; YI-2012-0647

One Allied Drive
Little Rock, Arkansas 72203

ACCESS SERVICE

RECEIVED

6. Switched Access Service (Cont'd)

DEC 26 1995

6.6 Description and Provision of Feature Group B (FGB) (Cont'd)

MISSOURI

6.6.1 Description (Cont'd)

Public Service Commission

(G) FGB switching, when used in the terminating direction, may be used to access valid NXXs in the LATA, time or weather announcement services of the Telephone Company, community information services of an information service provider and other customers' services (by dialing the appropriate digits). When directly routed to an end office, only those valid NXX codes served by that end office may be accessed. When routed through an access tandem, only those valid NXX codes served by end offices subtending the access tandem may be accessed.

The customer will also be billed additional non-access charges for calls to certain community information services for which rates are applicable under Telephone Company exchange service tariffs, e.g., 976 (DIAL-IT) Network Service. Additionally, non-access charges will also be billed for calls from a FGB trunk to another customer's service in accordance with that customer's applicable service rates when the Telephone Company performs the billing function for that customer.

Calls in the terminating direction will not be completed to 950-1XXX or 950-0XXX access codes, local operator assistance (0- and 0+), Directory Assistance (411 and 555-1212), service codes 611 and 911 or 10XXX access codes. Calls will be completed to Directory Assistance (NPA-555-1212 or 555-1212) when FGB switching is combined with Directory Assistance (DA) switching. The combination of FGB Switched Access Service with DA service is provided as set forth in Section 9. following. FGB may not be switched, in the terminating direction, to Switched Access Service Feature Groups B, C and D.

CANCELLED

DEC 13 1998
By *[Signature]* #184
Public Service Commission
MISSOURI

FILED
96-147
JAN 1 1996

MO. PUBLIC SERVICE COMM.

Issued: December 26, 1995

Effective: January 1, 1996

One Allied Drive
Little Rock, Arkansas 72203

RECEIVED

JEC 26 1995

MISSOURI
Public Service Commission

ACCESS SERVICE

6. Switched Access Service (Cont'd)

6.6 Description and Provision of Feature Group B (FGB) (Cont'd)

6.6.1 Description (Cont'd)

(H) When all FGB switching arrangements are discontinued at an end office and/or in a LATA, an intercept announcement is provided. This arrangement provides, for a limited period of time, an announcement that the service associated with the number dialed has been disconnected.

(I) For FGB switched access service to a Mobile Telephone Switching Office (MTSO) directly interconnected to a Telephone Company access tandem office, the customer will be billed only the Local Transport premium rate element for the FGB usage. The mileage used to determine the monthly rate for the local transport rate element is as set forth in 6.4.6(F) preceding.

CANCELLED
MAR 13 1999
by *LR* #185
Public Service Commission
MISSOURI

FILED
96-147
JAN 1 1996

MO. PUBLIC SERVICE COMM.

Issued: December 26, 1995

Effective: January 1, 1996

One Allied Drive
Little Rock, Arkansas 72203

ACCESS SERVICE

Missouri Public
Service Commission

REC'D SEP 16 1999

6. Switched Access Service (Cont'd)

6.7 Description and Provision of Feature Group C (FGC)

6.7.1 Description

(A) FGC Access provides trunk side access to Telephone Company end office switches for the customer's use in originating and terminating communications. Originating and terminating FGC Access is available to providers of MTS and WATS. Originating FGC Access is available to all customers when used to provide the Interim NXX Translation optional feature or 800/888/877 Data Base service. Terminating FGC access is available to all customers other than providers of MTS and WATS when such access is used in conjunction with the provision of the Interim NXX Translation optional feature or 800/888/877 Data Base service, but only for purposes of testing. Existing FGC Access will be converted to FGD Access when FGD Access becomes available in an end office. A Carrier may lease the FGC network, until such time as the Commission has ruled in Case No. TT-2000-268 (In the matter of the ALLTEL Missouri, Inc.'s Proposed Tariff to Allow IXC Traffic to Utilize the Feature Group C Network), provided they are willing to pay existing tariffed switched per minute of use rates. Special Access Services utilized for connection with FGC at Telephone Company designated WATS Serving Offices as set forth in Section 7. following may be ordered separately by a customer other than the customer which orders the FGC Switched Access Service (i.e., a provider of MTS and WATS) for the provision of WATS Services. Special Access Services are ordered as set forth in 5.2.2 preceding.

*
*
*

CANCELLED

MAR 22 2001

by 4H RP 194
Public Service Commission
MISSOURI

Missouri Public
Service Commission

00-268
FILED OCT 20 1999

Issued _____ Effective _____

SEP 16 1999

One Allied Drive
Little Rock, Arkansas 72203

OCT 20 1999

Missouri Public Service Commission

ACCESS SERVICE

REC'D NOV 13 1998

6. Switched Access Service (Cont'd)

6.7 Description and Provision of Feature Group C (FGC)

6.7.1 Description

(A) FGC Access provides trunk side access to Telephone Company end office switches for the customer's use in originating and terminating communications. Originating and terminating FGC Access is available to providers of MTS and WATS. Originating FGC Access is available to all customers when used to provide the Interim NXX Translation optional feature or 800/888/877 Data Base service. Terminating FGC access is available to all customers other than providers of MTS and WATS when such access is used in conjunction with the provision of the Interim NXX Translation optional feature or 800/888/877 Data Base service, but only for purposes of testing. Existing FGC Access will be converted to FGD Access when FGD Access becomes available in an end office. Special Access Services utilized for connection with FGC at Telephone Company designated WATS Serving Offices as set forth in Section 7. following may be ordered separately by a customer other than the customer which orders the FGC Switched Access Service (i.e., a provider of MTS and WATS) for the provision of WATS Services. Special Access Services are ordered as set forth in 5.2.2 preceding.

(C)

(C)

CANCELLED

OCT 20 1999
3rd RS # 194
Public Service Commission
MISSOURI

Missouri Public Service Commission

FILED DEC 13 1998

Issued: November 13, 1998

Effective: December 13, 1998

ACCESS SERVICE

RECEIVED

6. Switched Access Service (Cont'd)

JAN 30 1996

6.7 Description and Provision of Feature Group C (FGC)

**MISSOURI
Public Service Commission**

6.7.1 Description

(A) FGC Access provides trunk side access to Telephone Company end office switches for the customer's use in originating and terminating communications. Originating and terminating FGC Access is available to providers of MTS and WATS. Originating FGC Access is available to all customers when used to provide the Interim NXX Translation optional feature or 800/888 Data Base service. Terminating FGC access is available to all customers other than providers of MTS and WATS when such access is used in conjunction with the provision of the Interim NXX Translation optional feature or 800/888 Data Base service, but only for purposes of testing. Existing FGC Access will be converted to FGD Access when FGD Access becomes available in an end office. Special Access Services utilized for connection with FGC at Telephone Company designated WATS Serving Offices as set forth in Section 7. following may be ordered separately by a customer other than the customer which orders the FGC Switched Access Service (i.e., a provider of MTS and WATS) for the provision of WATS Services. Special Access Services are ordered as set forth in 5.2.2 preceding.

CANCELLED

DEC 13 1998
by *2nd RS #194*
Public Service Commission
MISSOURI

FILED

MAR 1 1996

MO. PUBLIC SERVICE COMM

Issued: January 31, 1996

Effective: March 1, 1996

One Allied Drive
Little Rock, Arkansas 72203

ACCESS SERVICE

RECEIVED

DEC 26 1995

MISSOURI
Public Service Commission

6. Switched Access Service (Cont'd)

6.7 Description and Provision of Feature Group C (FGC)

6.7.1 Description

(A) FGC Access provides trunk side access to Telephone Company end office switches for the customer's use in originating and terminating communications. Originating and terminating FGC Access is available to providers of MTS and WATS. Originating FGC Access is available to all customers when used to provide the Interim NXX Translation optional feature or 800 Data Base service. Terminating FGC access is available to all customers other than providers of MTS and WATS when such access is used in conjunction with the provision of the Interim NXX Translation optional feature or 800 Data Base service, but only for purposes of testing. Existing FGC Access will be converted to FGD Access when FGD Access becomes available in an end office. Special Access Services utilized for connection with FGC at Telephone Company designated WATS Serving Offices as set forth in Section 7. following may be ordered separately by a customer other than the customer which orders the FGC Switched Access Service (i.e., a provider of MTS and WATS) for the provision of WATS Services. Special Access Services are ordered as set forth in 5.2.2 preceding.

CANCELLED

MAR 1 1996
BY 1st R.S. #194
Public Service Commission
MISSOURI

FILED
96-147
JAN 7 1996

MO. PUBLIC SERVICE COM. 7.

Issued: December 26, 1995

Effective: January 1, 1996

One Allied Drive
Little Rock, Arkansas 72203

Missouri Public Service Commission

ACCESS SERVICE

REC'D NOV 13 1998

6. Switched Access Service (Cont'd)

6.7 Description and Provision of Feature Group C (FGC) (Cont'd)

6.7.1 Description (Cont'd)

- (B) FGC switching is provided at all end office switches unless FGD end office switching is provided in the same office. When FGD switching is available, FGC switching will not be provided. FGC is provided at Telephone Company end office switches on a direct trunk basis or via Telephone Company designated access tandem switches. FGC switching is furnished to providers of MTS and WATS. Additionally, originating FGC switching is available to all customers when used to provide the Interim NXX Translation optional feature or 800/888/877 Data Base service. Terminating FGC switching is available to all customers who are not MTS and WATS providers only when such terminating access is for purposes of testing FGC facilities provided in conjunction with the Interim NXX Translation optional feature or 800/888/877 Data Base service. (C)
- (C) FGC is provided as trunk side switching through the use of end office or access tandem switch trunk equipment. The switch trunk equipment is provided with answer and disconnect supervisory signaling. Wink start start-pulsing signals are provided in all offices where available. In those offices where wink start start-pulsing signals are not available, delay dial start-pulsing signals will be provided, unless immediate dial pulse signaling is provided, in which case no start-pulsing signals are provided. (C)

CANCELLED

OCT 20 1999
By 3rd RS #195
Public Service Commission
MISSOURI

Missouri Public Service Commission

FILED DEC 13 1998

Issued: November 13, 1998

Effective: December 13, 1998

ACCESS SERVICE

RECEIVED

6. Switched Access Service (Cont'd)

JAN 30 1996

6.7 Description and Provision of Feature Group C (FGC) (Cont'd)

**MISSOURI
Public Service Commission**

6.7.1 Description (Cont'd)

(B) FGC switching is provided at all end office switches unless FGD end office switching is provided in the same office. When FGD switching is available, FGC switching will not be provided. FGC is provided at Telephone Company end office switches on a direct trunk basis or via Telephone Company designated access tandem switches. FGC switching is furnished to providers of MTS and WATS. Additionally, originating FGC switching is available to all customers when used to provide the Interim NXX Translation optional feature or 800/888 Data Base service. Terminating FGC switching is available to all customers who are not MTS and WATS providers only when such terminating access is for purposes of testing FGC facilities provided in conjunction with the Interim NXX Translation optional feature or 800/888 Data Base service. (T)

(C) FGC is provided as trunk side switching through the use of end office or access tandem switch trunk equipment. The switch trunk equipment is provided with answer and disconnect supervisory signaling. Wink start start-pulsing signals are provided in all offices where available. In those offices where wink start start-pulsing signals are not available, delay dial start-pulsing signals will be provided, unless immediate dial pulse signaling is provided, in which case no start-pulsing signals are provided. (T)

CANCELLED

DEC 13 1998

By 2nd RS #195
**Public Service Commission
MISSOURI**

FILED

MAR 1 1996

MO. PUBLIC SERVICE COMM

Issued: January 31, 1996

Effective: March 1, 1996

One Allied Drive
Little Rock, Arkansas 72203

ACCESS SERVICE

RECEIVED**DEC 26 1995**6. Switched Access Service (Cont'd)6.7 Description and Provision of Feature Group C (FGC) (Cont'd)**MISSOURI****Public Service Commission**6.7.1 Description (Cont'd)

(B) FGC switching is provided at all end office switches unless FGD end office switching is provided in the same office. When FGD switching is available, FGC switching will not be provided. FGC is provided at Telephone Company end office switches on a direct trunk basis or via Telephone Company designated access tandem switches. FGC switching is furnished to providers of MTS and WATS. Additionally, originating FGC switching is available to all customers when used to provide the Interim NXX Translation optional feature or 800 Data Base service. Terminating FGC switching is available to all customers who are not MTS and WATS providers only when such terminating access is for purposes of testing FGC facilities provided in conjunction with the Interim NXX Translation optional feature or 800 Data Base service.

(C) FGC is provided as trunk side switching through the use of end office or access tandem switch trunk equipment. The switch trunk equipment is provided with answer and disconnect supervisory signaling. Wink start start-pulsing signals are provided in all offices where available. In those offices where wink start start-pulsing signals are not available, delay dial start-pulsing signals will be provided, unless immediate dial pulse signaling is provided, in which case no start-pulsing signals are provided.

CANCELLED

MAR 1 1996
BY *lat R.S. #195*
Public Service Commission
MISSOURI

FILED
96 - 147
JAN 7 1996

MO. PUBLIC SERVICE COM. 1.

Issued: December 26, 1995

Effective: January 1, 1996

One Allied Drive
Little Rock, Arkansas 72203

ACCESS SERVICE

RECEIVED

DEC 26 1995

MISSOURI

Public Service Commission

6. Switched Access Service (Cont'd)

6.7 Description and Provision of Feature Group C (FGC) (Cont'd)

6.7.1 Description (Cont'd)

(F) FGC switching, when used in the terminating direction, may be used to access valid NXXs in the LATA, time or weather announcement services of the Telephone Company, community information services of an information provider, and other customer's services (by dialing the appropriate codes) when the services can be reached using valid NXX codes. When directly routed to an end office, only those valid NXX codes served by that office may be accessed. When routed through an access tandem, only those valid NXX codes served by offices subtending the access tandem may be accessed. Where measurement capabilities exist, the customer will also be billed additional non-access charges for calls to certain community information services, for which rates are applicable under Telephone Company exchange service tariffs, e.g., 976 (DIAL IT) Network Services. Additionally, non-access charges will also be billed for calls from a FGC trunk to another customer's service in accordance with that customer's applicable service rates when the Telephone Company performs the billing function for that customer. Calls in the terminating direction will not be completed to 950-1XXX or 950-0XXX access codes, local operator assistance (0- and 0+), Directory Assistance (411 and 555-1212), service codes 611 and 911 and 10XXX access codes. Calls will be completed to Directory Assistance (NPA-555-1212 or 555-1212) when FGC switching is combined with Directory Assistance switching. The combination of FGC Switched Access Service with DA Service is provided as set forth in Section 9. following. FGC may not be switched, in the terminating direction, to Switched Access Service Feature Groups B, C or D.

CANCELLED

DEC 13 1998
By *lsr* #197
Public Service Commission
MISSOURI

FILED
96-747
JAN 1 1996

MO. PUBLIC SERVICE COMM.

Issued: December 26, 1995

Effective: January 1, 1996

One Allied Drive
Little Rock, Arkansas 72203

ACCESS SERVICE

RECEIVED

6. Switched Access Service (Cont'd)

JAN 30 1996

6.7 Description and Provision of Feature Group C (FGC) (Cont'd)

**MISSOURI
Public Service Commission**

6.7.1 Description (Cont'd)

(G) The Telephone Company will establish a trunk group or groups for the customer at end office switches or access tandem switches where FGC switching is provided. When required by technical limitations, a separate trunk group will be established for each type of FGC switching arrangement provided. Different types of FGC or other switching arrangements may be combined in a single trunk group at the option of the Telephone Company.

(H) Unless prohibited by technical limitations the providers of MTS and WATS may, at their option, combine Interim NXX Translation and/or 800/888 Data Base traffic in the same trunk group arrangement with their non-Interim NXX Translation traffic. When required by technical considerations, or when provided to a customer other than the provider of MTS and WATS, or at the request of the customer (i.e., provider of MTS and WATS), a separate trunk group will be established for Interim NXX Translation traffic and/or 800/888 Data Base.

(T)

(T)

CANCELLED

DEC 13 1998
By *LSRS#198*
Public Service Commission
MISSOURI

FILED

MAR 1 1996

MO. PUBLIC SERVICE COMM

Issued: January 31, 1996

Effective: March 1, 1996

ACCESS SERVICE

RECEIVED

DEC 26 1995

6. Switched Access Service (Cont'd)

6.7 Description and Provision of Feature Group C (FGC) (Cont'd)

MISSOURI
Public Service Commission

6.7.1 Description (Cont'd)

(G) The Telephone Company will establish a trunk group or groups for the customer at end office switches or access tandem switches where FGC switching is provided. When required by technical limitations, a separate trunk group will be established for each type of FGC switching arrangement provided. Different types of FGC or other switching arrangements may be combined in a single trunk group at the option of the Telephone Company.

(H) Unless prohibited by technical limitations the providers of MTS and WATS may, at their option, combine Interim NXX Translation and/or 800 Data Base traffic in the same trunk group arrangement with their non-Interim NXX Translation traffic. When required by technical considerations, or when provided to a customer other than the provider of MTS and WATS, or at the request of the customer (i.e., provider of MTS and WATS), a separate trunk group will be established for Interim NXX Translation traffic and/or 800 Data Base.

CANCELLED

MAR 1 1996
BY *let R.S.* #198
Public Service Commission
MISSOURI

FILED
96 - 147
JAN 1 1996

MO. PUBLIC SERVICE COMM.

Issued: December 26, 1995

Effective: January 1, 1996

One Allied Drive
Little Rock, Arkansas 72203

RECEIVED

ACCESS SERVICE

JAN 30 1996

6. Switched Access Service (Cont'd)

**MISSOURI
Public Service Commission**

6.7 Description and Provision of Feature Group C (FGC) (Cont'd)

6.7.4 Measuring Access Minutes

Customer traffic to end offices will be measured (i.e., recorded) by the Telephone Company at end office switches or access tandem switches. Originating and terminating calls will be measured or imputed by the Telephone Company to determine the basis for computing chargeable access minutes. In the event the customer message detail is not available because the Telephone Company lost or damaged tapes or incurred recording system outages, the Telephone Company will estimate the volume of lost customer access minutes of use based on previously known values.

For terminating calls over FGC when measurement capability exists, the measured minutes are the chargeable access minutes. For originating calls over FGC, chargeable originating access minutes are derived from recorded minutes in the following manner:

Step 1: Obtain recorded originating minutes and messages, from the appropriate recording data.

Step 2: Obtain the total attempts by dividing the originating measured messages by the completion ratio. Completion ratios (CR) are obtained separately for the major call categories such as DDD, operator, 800/888, 900, directory assistance and international from a sample study which analyzes the ultimate completion status of the total attempts which receive acknowledgement from the customer. That is, Measured Messages divided by Completion Ratio equals Total Attempts.

(T)

CANCELLED

DEC 13 1998
By *[Signature]* #202
Public Service Commission
MISSOURI

FILED

MAR 1 1996

Issued: January 31, 1996

Effective: **MO. PUBLIC SERVICE COMM**
March 1, 1996

ACCESS SERVICE

RECEIVED

DEC 26 1995

6. Switched Access Service (Cont'd)

6.7 Description and Provision of Feature Group C (FGC) (Cont'd) MISSOURI

Public Service Commission

6.7.4 Measuring Access Minutes

Customer traffic to end offices will be measured (i.e., recorded) by the Telephone Company at end office switches or access tandem switches. Originating and terminating calls will be measured or imputed by the Telephone Company to determine the basis for computing chargeable access minutes. In the event the customer message detail is not available because the Telephone Company lost or damaged tapes or incurred recording system outages, the Telephone Company will estimate the volume of lost customer access minutes of use based on previously known values.

For terminating calls over FGC when measurement capability exists, the measured minutes are the chargeable access minutes. For originating calls over FGC, chargeable originating access minutes are derived from recorded minutes in the following manner:

- Step 1: Obtain recorded originating minutes and messages, from the appropriate recording data.
- Step 2: Obtain the total attempts by dividing the originating measured messages by the completion ratio. Completion ratios (CR) are obtained separately for the major call categories such as DDD, operator, 800, 900, directory assistance and international from a sample study which analyzes the ultimate completion status of the total attempts which receive acknowledgement from the customer. That is, Measured Messages divided by Completion Ratio equals Total Attempts.

CANCELLED

MAR 1 1996
BY Let R. S. #202
Public Service Commission
MISSOURI

FILED
96-147
JAN 1 1996

MO. PUBLIC SERVICE COMM.

Issued: December 26, 1995

Effective: January 1, 1996

RECEIVED

DEC 26 1995

ACCESS SERVICE

MISSOURI

Public Service Commission

6. Switched Access Service (Cont'd)

6.8 Description and Provision of Feature Group D (FGD) (Cont'd)

6.8.1 Description (Cont'd)

(E) FGD switching, when used in the terminating direction, may be used to access valid NXXs in the LATA, time or weather announcement services of the Telephone Company, community information services of an information service provider, and other customers' services (by dialing the appropriate codes) when such services can be reached using valid NXX codes. When directly routed to an end office, only those valid NXX codes served by that office may be accessed. When routed through an access tandem, only those valid NXX codes served by end offices subtending the access tandem may be accessed. The customer will also be billed additional non-access charges for calls to certain community information services, for which rates are applicable under Telephone Company exchange service tariffs, e.g., 976 (DIAL-IT) Network Service. Additionally, non-access charges will also be billed for calls from a FGD trunk to another customer's service in accordance with that customer's applicable service rates when the Telephone Company performs the billing function for that customer. Calls in the terminating direction will not be completed to 950-1XXX or 950-0XXX access codes, local operator assistance (0- and 0+), Directory Assistance (411 and 555-1212), service codes 611 and 911 and 10XXX access codes. Calls will be completed to Directory Assistance (NPA-555-1212 or 555-1212) when FGD switching is combined with Directory Assistance switching. The combination of FGD Switched Access Service with DA Service is provided as set forth in Section 9. following. FGD may not be switched, in the terminating direction, to Switched Access Service Feature Groups B, C or D.

CANCELLED

DEC 13 1998
By *ISR#211*
Public Service Commission
MISSOURI

FILED
96-147
JAN 1 1996
MO. PUBLIC SERVICE COMM.

Issued: December 26, 1995

Effective: January 1, 1996

One Allied Drive
Little Rock, Arkansas 72203

RECEIVED

ACCESS SERVICE

DEC 26 1995

MISSOURI
Public Service Commission

6. Switched Access Service (Cont'd)

6.8 Description and Provision of Feature Group D (FGD) (Cont'd)

6.8.1 Description (Cont'd)

(F) The Telephone Company will establish a trunk group or groups for the customer at end office switches or access tandem switches where FGD switching is provided. When required by technical limitations, a separate trunk group will be established for each type of FGD switching arrangement provided. Different types of FGD or other switching arrangements may be combined in a single trunk group at the option of the Telephone Company.

(G) The access code for FGD switching is a uniform access code of the form 10XXX. A uniform access code(s) will be the assigned number of all FGD access provided to the customer by the Telephone Company. No access code is required for calls to a customer over FGD Switched Access Service if the end user's telephone exchange service is arranged for presubscription to that customer, as set forth in 13.4 following.

Where no access code is required, the number dialed by the customer's end user shall be a seven or ten digit number for calls in the North American Numbering Plan (NANP). For international calls outside the NANP, a seven to twelve digit number may be dialed. The form of the numbers dialed by the customer's end user is NXX-XXXX, 0 or 1 + NXX-XXXX, NPA + NXX-XXXX, 0 or 1 + NPA + NXX-XXXX, and, when the end office is equipped for International Direct Distance Dialing (IDDD), 01 + CC + NN or 011 + CC + NN.

When the 10XXX access code is used, FGD switching also provides for dialing the digit 0 for access to the customer's operator, 911 for access to the Telephone Company's emergency reporting service, or the end-of-dialing digit (#) for cut-through access to the customer designated premises.

CANCELLED

DEC 13 1998

By *LSR #212*
Public Service Commission
MISSOURI

FILED
96-147
JAN 1 1996

MO. PUBLIC SERVICE COMM.

Issued: December 26, 1995

Effective: January 1, 1996

One Allied Drive
Little Rock, Arkansas 72203

**Missouri Public
Service Commission**

ACCESS SERVICE

REC'D NOV 13 1998

6. Switched Access Service (Cont'd)

6.8 Description and Provision of Feature Group D (FGD) (Cont'd)

6.8.1 Description (Cont'd)

- (H) FGD switching will be arranged to accept calls from telephone exchange service locations without the need for dialing the 101XXXX uniform access code. Each telephone exchange service line may be marked with a code to identify which 101XXXX code its calls will be directed to for interLATA service. (C)
- (I) Unless prohibited by technical limitations, the customer's Interim NXX Translation and/or 800/888/877 Data Base traffic may, at the option of the customer, be combined in the same trunk group arrangement with the customer's non-Interim NXX Translation and/or 800/888/877 Data Base traffic. When required by technical limitations, or at the request of the customer, a separate trunk group will be established for Interim NXX Translation and/or 800/888/877 Data Base traffic. (C)
- (J) When a customer has had FGB access in an end office and subsequently replaces the FGB access with FGD access, at the mutual agreement of the customer and the Telephone Company, the Telephone Company will direct calls dialed by the customer's end users using the customer's previous FGB access code to the customer's FGD access service. The customer must be prepared to handle normally dialed FGD calls, as well as calls dialed with the FGB access code which requires the customer to receive additional address signaling from the end user. Such calls will be rated as FGD. The Telephone Company may, with 90 days' written notice to the customer, discontinue this arrangement. (C)
- (K) For FGD switched access service to a Mobile Telephone Switching Office (MTSO) directly interconnected to a Telephone Company access tandem office, the customer will be billed only the Local Transport premium rate element for the FGD usage. The mileage used to determine the monthly rate for the local transport rate element is as set forth in 6.4.6(F) preceding. (C)

CANCELLED

MAR 13 1999
By 3rd RS # 213
Public Service Commission
MISSOURI

**Missouri Public
Service Commission**

FILED DEC 13 1998

RECEIVED

ACCESS SERVICE

JAN 30 1996

6. Switched Access Service (Cont'd)

6.8 Description and Provision of Feature Group D (FGD) (Cont'd)

**MISSOURI
Public Service Commission**

6.8.1 Description (Cont'd)

- (H) FGD switching will be arranged to accept calls from telephone exchange service locations without the need for dialing the 10XXX uniform access code. Each telephone exchange service line may be marked with a code to identify which 10XXX code its calls will be directed to for interLATA service.
- (I) Unless prohibited by technical limitations, the customer's Interim NXX Translation and/or 800/888 Data Base traffic may, at the option of the customer, be combined in the same trunk group arrangement with the customer's non-Interim NXX Translation and/or 800/888 Data Base traffic. When required by technical limitations, or at the request of the customer, a separate trunk group will be established for Interim NXX Translation and/or 800/888 Data Base traffic. (T)
- (J) When a customer has had FGB access in an end office and subsequently replaces the FGB access with FGD access, at the mutual agreement of the customer and the Telephone Company, the Telephone Company will direct calls dialed by the customer's end users using the customer's previous FGB access code to the customer's FGD access service. The customer must be prepared to handle normally dialed FGD calls, as well as calls dialed with the FGB access code which requires the customer to receive additional address signaling from the end user. Such calls will be rated as FGD. The Telephone Company may, with 90 days' written notice to the customer, discontinue this arrangement. (T)
- (K) For FGD switched access service to a Mobile Telephone Switching Office (MTSO) directly interconnected to a Telephone Company access tandem office, the customer will be billed only the Local Transport premium rate element for the FGD usage. The mileage used to determine the monthly rate for the local transport rate element is as set forth in 6.4.6(F) preceding. (T)

CANCELLED

DEC 13 1998
t: 2nd RS #213
Public Service Commission
MISSOURI

FILED

MAR 1 1996

MO. PUBLIC SERVICE COMM

Issued: January 31, 1996

Effective: March 1, 1996

One Allied Drive
Little Rock, Arkansas 72203

ACCESS SERVICE

RECEIVED

JEC 26 1995

6. Switched Access Service (Cont'd)

6.8 Description and Provision of Feature Group D (FGD) (Cont'd)

MISSOURI
Public Service Commission

6.8.1 Description (Cont'd)

- (H) FGD switching will be arranged to accept calls from telephone exchange service locations without the need for dialing the 10XXX uniform access code. Each telephone exchange service line may be marked with a code to identify which 10XXX code its calls will be directed to for interLATA service.
- (I) Unless prohibited by technical limitations, the customer's Interim NXX Translation and/or 800 Data Base traffic may, at the option of the customer, be combined in the same trunk group arrangement with the customer's non-Interim NXX Translation and/or 800 Data Base traffic. When required by technical limitations, or at the request of the customer, a separate trunk group will be established for Interim NXX Translation and/or 800 Data Base traffic.
- (J) When a customer has had FGB access in an end office and subsequently replaces the FGB access with FGD access, at the mutual agreement of the customer and the Telephone Company, the Telephone Company will direct calls dialed by the customer's end users using the customer's previous FGB access code to the customer's FGD access service. The customer must be prepared to handle normally dialed FGD calls, as well as calls dialed with the FGB access code which requires the customer to receive additional address signaling from the end user. Such calls will be rated as FGD. The Telephone Company may, with 90 days' written notice to the customer, discontinue this arrangement.
- (K) For FGD switched access service to a Mobile Telephone Switching Office (MTSO) directly interconnected to a Telephone Company access tandem office, the customer will be billed only the Local Transport premium rate element for the FGD usage. The mileage used to determine the monthly rate for the local transport rate element is as set forth in 6.4.6(F) preceding.

CANCELLED

FILED

96 - 147
JAN 1 1996

MAR 1 1996
BY *W.F. R.S. # 913*
Public Service Commission
MISSOURI

MO. PUBLIC SERVICE COMM.

Issued: December 26, 1995

Effective: January 1, 1996

RECEIVED

DEC 26 1995

ACCESS SERVICE

MISSOURI

Public Service Commission

6. Switched Access Service (Cont'd)

6.8 Description and Provision of Feature Group D (FGD) (Cont'd)

6.8.3 Design and Traffic Routing

For Feature Group D, the Telephone Company shall design and determine the routing of Switched Access Service, including the selection of the first point of switching and the selection of facilities from the interface to any switching point and to the end offices where busy hour minutes of capacity are ordered. The Telephone Company shall also decide if capacity is to be provided by originating only, terminating only, or two-way trunk groups. Finally, the Telephone Company will decide whether trunk side access will be provided through the use of two-wire or four-wire trunk terminating equipment.

Selection of facilities and equipment and traffic routing of the service are based on standard engineering methods, available facilities and equipment, and the Telephone Company traffic routing plans. If the customer desires routing or directionality different from that determined by the Telephone Company, the Telephone Company will work cooperatively with the customer in determining (1) whether the service is to be routed directly to an end office or through an access tandem switch and (2) the directionality of the service.

6.8.4 Measuring Access Minutes

Customer traffic to end offices will be recorded at end office switches or access tandem switches. Originating and terminating calls will be measured or imputed to determine the basis for computing chargeable access minutes. In the event the customer message detail is not available because the Telephone Company lost or damaged tapes or incurred recording system outages, the Telephone Company will estimate the volume of lost customer access minutes of use based on previously known values.

FILED
96 - 147
JAN 1 1996

MO. PUBLIC SERVICE COMM.

Issued December 26, 1995

Effective: January 1, 1996

One Allied Drive
Little Rock, Arkansas 72203

~~CANCELLED~~
July 1, 2012
Missouri Public
Service Commission
TT-2012-0317; YI-2012-0647

RECEIVED

ACCESS SERVICE

JAN 30 1996

6. Switched Access Service (Cont'd)

6.9 Nonchargeable Optional Features (Cont'd)

**MISSOURI
Public Service Commission**

6.9.1 Common Switching Optional Features (Cont'd)

(A) Call Denial on Line or Hunt Group

This option allows for the screening of terminating Feature Group A calls. There are two screening arrangements available with this option as follows: 1) limiting terminating calls for completion to only 411 or 555-1212 whichever is available, 611, 911, 800/888 and a Telephone Company specified set of NXXs within the Telephone Company local exchange calling area of the dial tone office in which the arrangement is provided or, 2) limiting terminating calls to completion to only the NXXs associated with all end offices in the LATA, i.e., the call cannot be further switched or routed out of the LATA nor will calls be completed to 411 or 555-1212 whichever is available, 611, 911 or 800/888. All other calls are routed to a reorder tone or recorded announcement. Arrangement 1 is provided in all Telephone Company electronic end offices and, where available, in electromechanical end offices. Arrangement 2 is provided where available. This feature is available with Feature Group A.

(T)

(T)

(B) Service Code Denial on Line or Hunt Group

This option allows for the screening of terminating calls within the LATA, and for disallowing completion of calls to 0-, 555 and N11 (e.g., 411, 611, and 911). This feature is provided where available in all Telephone Company end offices. It is available with Feature Group A.

CANCELLED

DEC 13 1998

By *2nd RS # 226*
Public Service Commission
MISSOURI

FILED

MAR 1 1996

MO. PUBLIC SERVICE COMM

Issued: January 31, 1996

Effective: March 1, 1996

ACCESS SERVICE

RECEIVED

JFC 26 1995

MISSOURI

Public Service Commission

6. Switched Access Service (Cont'd)

6.9 Nonchargeable Optional Features (Cont'd)

6.9.1 Common Switching Optional Features (Cont'd)

(A) Call Denial on Line or Hunt Group

This option allows for the screening of terminating Feature Group A calls. There are two screening arrangements available with this option as follows: 1) limiting terminating calls for completion to only 411 or 555-1212 whichever is available, 611, 911, 800 and a Telephone Company specified set of NXXs within the Telephone Company local exchange calling area of the dial tone office in which the arrangement is provided or, 2) limiting terminating calls to completion to only the NXXs associated with all end offices in the LATA, i.e., the call cannot be further switched or routed out of the LATA nor will calls be completed to 411 or 555-1212 whichever is available, 611, 911 or 800. All other calls are routed to a reorder tone or recorded announcement. Arrangement 1 is provided in all Telephone Company electronic end offices and, where available, in electromechanical end offices. Arrangement 2 is provided where available. This feature is available with Feature Group A.

(B) Service Code Denial on Line or Hunt Group

This option allows for the screening of terminating calls within the LATA, and for disallowing completion of calls to 0-, 555 and N11 (e.g., 411, 611, and 911). This feature is provided where available in all Telephone Company end offices. It is available with Feature Group A.

CANCELLED

MAR 1 1996
BY Let R.S. #226
Public Service Commission
MISSOURI

FILED
96-147
JAN 1 1996

MO. PUBLIC SERVICE COMM.

RECEIVED

ACCESS SERVICE

JAN 30 1996

6. Switched Access Service (Cont'd)

6.9 Nonchargeable Optional Features (Cont'd)

**MISSOURI
Public Service Commission**

6.9.1 Common Switching Optional Features (Cont'd)

(F) Automatic Number Identification (ANI) (Cont'd)

(3) The ten digit ANI telephone number is only available with Feature Group D. The ten digit ANI telephone number consists of the Number Plan Area (NPA) plus the seven digit ANI telephone number. The ten digit ANI telephone number will be transmitted on all calls except those identified as multiparty line or ANI failure, in which case only the NPA will be transmitted (in addition to the information digit described below). Ten digit ANI is provided with MF or SS7 signaling.

(4) With Feature Group C, at the option of the customer, ANI may be ordered from end offices where Telephone Company recording for end user billing is not provided. Additionally, ANI is provided from end offices where message detail recording is not required by the Telephone Company; as with 800/888 service. ANI is not provided from end offices where the Telephone Company forwards ANI to its recording equipment.

(T)

CANCELLED

DEC 13 1998
By *2nd RS #229*
Public Service Commission
MISSOURI

FILED

MAR 1 1996

MO. PUBLIC SERVICE COMM

Issued: January 31, 1996

Effective: March 1, 1996

One Allied Drive
Little Rock, Arkansas 72203

ACCESS SERVICE

RECEIVED

DEC 26 1995

MISSOURI

Public Service Commission

6. Switched Access Service (Cont'd)

6.9 Nonchargeable Optional Features (Cont'd)

6.9.1 Common Switching Optional Features (Cont'd)

(F) Automatic Number Identification (ANI) (Cont'd)

- (3) The ten digit ANI telephone number is only available with Feature Group D. The ten digit ANI telephone number consists of the Number Plan Area (NPA) plus the seven digit ANI telephone number. The ten digit ANI telephone number will be transmitted on all calls except those identified as multiparty line or ANI failure, in which case only the NPA will be transmitted (in addition to the information digit described below). Ten digit ANI is provided with MF or SS7 signaling.
- (4) With Feature Group C, at the option of the customer, ANI may be ordered from end offices where Telephone Company recording for end user billing is not provided. Additionally, ANI is provided from end offices where message detail recording is not required by the Telephone Company; as with 800 service. ANI is not provided from end offices where the Telephone Company forwards ANI to its recording equipment.

CANCELLED

MAR 1 1996
BY Let R. S. # 229
Public Service Commission
MISSOURI

FILED

96 - 147

JAN 1 1996

ACCESS SERVICE

6. Switched Access Service (Cont'd)6.9 Nonchargeable Optional Features (Cont'd)6.9.1 Common Switching Optional Features (Cont'd)(N) Call Gapping Arrangement

This option, provided in suitably equipped end office switches, provides for the routing of originating calls to 900 service to be switched in the end office to all transmission paths in a trunk group at a prescribed rate of flow, e.g., one call every five seconds, in order to limit (choke) the completion of such traffic to the customer. Calls to the designated service which are denied access by this feature, i.e., the choked calls, would be routed to a no-circuit announcement. It is provided in selected Feature Group D equipped end offices and is available only with Feature Group D.

(O) International Carrier Option

This option allows for Feature Group D end offices or access tandem switches equipped for International Direct Distance Dialing to be arranged to forward the international calls of one or more international carriers to the customer (i.e., the Telephone Company is able to route originating international calls to a customer other than the one designated by the end user either through presubscription or 10XXX dialing). This arrangement requires provision of written verification to the Telephone Company that the customer is authorized to forward such calls. The written verification must be in the form of a letter of agency authorizing the customer to order the option on behalf of the international carrier. This option is only provided at Telephone Company end offices or access tandems equipped for International Direct Distance Dialing and is available only with Feature Group D.

CANCELLED

DEC 13 1998
By *LSRS#235*
Public Service Commission
MISSOURI

FILED

96 - 147
JAN 1 1996

MO. PUBLIC SERVICE COMM.

Issued: December 26, 1995

Effective: January 1, 1996

One Allied Drive
Little Rock, Arkansas 72203

ACCESS SERVICE

RECEIVED

6. Switched Access Service (Cont'd)

JAN 30 1996

6.9 Nonchargeable Optional Features (Cont'd)

**MISSOURI
Public Service Commission**

6.9.1 Common Switching Optional Features (Cont'd)

(P) Band Advance Arrangement for Use with Special Access Service Utilized in the Provision of WATS or WATS-Type Services

This option, which is provided in association with two or more Special Access Service groups, provides for the automatic overflow of terminating calls to a second Special Access Service group, when the first group has exceeded its call capacity. This option is available with Feature Groups A, B, C and D.

(Q) End Office End User Line Service Screening for Use with Special Access Service Utilized in the Provision of WATS or WATS-Type Services

This option provides the ability to verify that an end user has dialed a called party address (by screening the called NPA and/or NXX on the basis of geographical bands selected by the Telephone Company) which is in accordance with that end user's service agreement with the customer, e.g., WATS. This option is provided in all Telephone Company electronic end offices and, where available, in electromechanical end offices which are designated as WATS Serving Offices. It is available with Feature Groups C and D.

(R) Hunt Group Arrangement for Use with Special Access Service Utilized in the Provision of WATS or WATS-Type Services

This option provides the ability to sequentially access one of two or more Special Access Services utilized in the provision of WATS services (e.g., 800/888 Service Special Access services) in the terminating direction, when the hunting number of the Special Access Service group is forwarded from the customer to the Telephone Company. This feature is provided in all Telephone Company designated WATS Serving Offices. It is available with Feature Groups A, B, C and D.

(T)

CANCELLED

DEC 13 1998
L. Anderson #236
Public Service Commission
MISSOURI

FILED

MAR 1 1996

MO. PUBLIC SERVICE COMM

Issued: January 31, 1996

Effective: March 1, 1996

ACCESS SERVICE

RECEIVED

DEC 26 1995

**MISSOURI
Public Service Commission**

6. Switched Access Service (Cont'd)

6.9 Nonchargeable Optional Features (Cont'd)

6.9.1 Common Switching Optional Features (Cont'd)

- (P) Band Advance Arrangement for Use with Special Access Service Utilized in the Provision of WATS or WATS-Type Services

This option, which is provided in association with two or more Special Access Service groups, provides for the automatic overflow of terminating calls to a second Special Access Service group, when the first group has exceeded its call capacity. This option is available with Feature Groups A, B, C and D.

- (Q) End Office End User Line Service Screening for Use with Special Access Service Utilized in the Provision of WATS or WATS-Type Services

This option provides the ability to verify that an end user has dialed a called party address (by screening the called NPA and/or NXX on the basis of geographical bands selected by the Telephone Company) which is in accordance with that end user's service agreement with the customer, e.g., WATS. This option is provided in all Telephone Company electronic end offices and, where available, in electromechanical end offices which are designated as WATS Serving Offices. It is available with Feature Groups C and D.

- (R) Hunt Group Arrangement for Use with Special Access Service Utilized in the Provision of WATS or WATS-Type Services

This option provides the ability to sequentially access one of two or more Special Access Services utilized in the provision of WATS services (e.g., 800 Service Special Access services) in the terminating direction, when the hunting number of the Special Access Service group is forwarded from the customer to the Telephone Company. This feature is provided in all Telephone Company designated WATS Serving Offices. It is available with Feature Groups A, B, C and D.

CANCELLED

MAR 1 1996
BY lat R.S. #236
Public Service Commission
MISSOURI

FILED
96 - 147
JAN 1 1996

ACCESS SERVICE

RECEIVED

DEC 26 1995

MISSOURI

Public Service Commission

6. Switched Access Service (Cont'd)

6.9 Nonchargeable Optional Features (Cont'd)

6.9.1 Common Switching Optional Features (Cont'd)

(V) Multifrequency Address (MF) Signaling

This feature provides for the transmission of number information and control signals (e.g., number address signals, automatic number identification) between the end office switch and the customer's premises (in either direction). MF signaling arrangements make use of pairs of frequencies out of a group of six frequencies. Specific information transmitted is dependent upon feature group and call type (i.e., POTS, coin or operator). This feature is available as an optional feature with FGC and FGD but not in combination with SS7 signaling.

(W) Signaling System 7 (SS7) Signaling

This feature provides common channel out of band transmission of address and supervisory SS7 protocol signaling information between the end office switch or the tandem office switching system and the customer's designated premises. This feature is available with FGC and FGD and will be provided in accordance with the SS7 interconnect specifications described in Technical Reference TR-TSV-000905.

(X) Calling Party Number (CPN)

This feature provides for the automatic transmission of the ten digit directory number, associated with a calling station, to the customer's premises for calls originating in the LATA. The ten digit telephone number consists of the NPA plus the seven digit telephone number, which may or may not be the same number as the calling station's charge number. The ten digit telephone number will be coded as presented, or restricted via a "privacy indicator" for delivery to the called end user. This feature is provided with originating FGC and FGD with SS7 signaling. CPN is available where technically feasible.

CANCELLED

OCT 20 1999
L. B. SRS # 238
Public Service Commission
MISSOURI

FILED
96-147
JAN 1 1996

MO. PUBLIC SERVICE COMM.

ACCESS SERVICE

6. Switched Access Service (Cont'd)

6.9 Nonchargeable Optional Features (Cont'd)

6.9.1 Common Switching Optional Features (Cont'd)

(Y) Carrier Selection Parameter (CSP)

This feature provides for the automatic transmission of a signaling indicator which signifies to the customer whether or not the call being processed originated from a presubscribed line. If the line was presubscribed, the indicator will signify if the end user did or did not dial 10XXX. This feature is provided with originating FGD with SS7 signaling.

(Z) Charge Number Parameter (CNP)

The CN Parameter is equivalent to the existing ten digit Automatic Number Identification (ANI) available with FGC where technically feasible and FGD with MF signaling. The CN Parameter provides for the automatic transmission of the ten digit billing number of the calling station and the originating line information. This feature is provided with originating FGC and FGD with SS7 signaling.

RECEIVED

DEC 26 1995

MISSOURI
Public Service Commission

CANCELLED

DEC 13 1998
By *LS/RS#239*
Public Service Commission
MISSOURI

FILED
96-147
JAN 1 1996

MO. PUBLIC SERVICE COMM.

ACCESS SERVICE

RECEIVED

DEC 26 1995

MISSOURI

Public Service Commission

6. Switched Access Service (Cont'd)

6.10 Chargeable Optional Features

6.10.1 Interim NXX Translation

This service is an originating offering utilizing trunk side Switched Access Service and provides a customer identification function based on the dialed SAC and NXX code.

For example, when an 1+900+NXX-XXXX call is originated by an end user, the Telephone Company will perform the customer identification function based on the dialed digits to determine the customer location to which the call is to be routed. If the call originates from an end office switch not equipped to provide the customer identification function, the call will be routed to an office at which the function is available. Once customer identification has been established, the call will be routed to that customer. Calls originating from an end office switch at which the customer identification function is performed, but to which the customer has not ordered Interim NXX Translation, will be blocked. Calls to a 900 number from coin telephones, 0+, 0-, 10XXX, Inmate Service, Hotel/Motel Service and calling card calls will be blocked.

Calls to a 900 number dialed via 1+ from coin telephones, 0-, 10XXX, Inmate Service, and Hotel/Motel Service will be blocked. Calls to a 900 number dialed via 0+ will normally be blocked. Orders received from customers to unblock 0+ calls to a 900 number will be accommodated where suitably equipped facilities exist.

The manner in which Interim NXX Translation is provided is dependent on the status of the end office from which the service is provided (i.e., equipped with equal access capabilities or not equipped with equal access capabilities).

When Interim NXX Translation is provided from an end office not equipped with equal access capabilities, it will be provided in conjunction with FGC Switched Access Service.

The charge for Interim NXX Translation is as set forth in 17.2.1(B) following.

CANCELLED

FILED

DEC 13 1998

By *LSR #242*
Public Service Commission
MISSOURI

JAN 1 - 1996
MO. PUBLIC SERVICE COMM.

RECEIVED

ACCESS SERVICE

JAN 30 1996

6. Switched Access Service (Cont'd)

**MISSOURI
Public Service Commission**

6.10 Chargeable Optional Features

6.10.2 800/888 Data Base Access Service

800/888 Data Base Access Service is provided with FGC or FGD Switched Access Service. When a 1+800/888+NX-XXXX call is originated by an end user, the Telephone Company will utilize the CCS network to query an 800/888 data base to perform the identification function. The call will then be routed to the identified customer over FGC or FGD switched access. (T)

The manner in which 800/888 data base access service is provided is dependent on the availability of SS7 service at the end office from which the service is provided as outlined following: (T)

- When 800/888 data base access service originates at an end office equipped with Service Switching Point (SSP) capability for querying centralized data bases, all such service will be provisioned from that end office. (T)

- When 800/888 data base access service originates at an end office not equipped with SSP customer identification capability, the 800/888 call will be delivered to a switching office equipped with the SSP feature to query centralized data bases. (T)

Query charges as set forth in 17.2.2(D) following are in addition to those charges applicable for the FGC or FGD Switched Access Service.

CANCELLED

DEC 13 1998
By *2nd RS #243*
Public Service Commission
MISSOURI

FILED

MAR 1 1996

MO. PUBLIC SERVICE COMM

Issued: January 31, 1996

Effective: March 1, 1996

ACCESS SERVICE

RECEIVED

DEC 26 1995

6. Switched Access Service (Cont'd)

6.10 Chargeable Optional Features

6.10.2 800 Data Base Access Service

MISSOURI
Public Service Commission

800 Data Base Access Service is provided with FGC or FGD Switched Access Service. When a 1+800+NX-XXXX call is originated by an end user, the Telephone Company will utilize the CCS network to query an 800 data base to perform the identification function. The call will then be routed to the identified customer over FGC or FGD switched access.

The manner in which 800 data base access service is provided is dependent on the availability of SS7 service at the end office from which the service is provided as outlined following:

- When 800 data base access service originates at an end office equipped with Service Switching Point (SSP) capability for querying centralized data bases, all such service will be provisioned from that end office.
- When 800 data base access service originates at an end office not equipped with SSP customer identification capability, the 800 call will be delivered to a switching office equipped with the SSP feature to query centralized data bases.

Query charges as set forth in 17.2.2(D) following are in addition to those charges applicable for the FGC or FGD Switched Access Service.

CANCELLED

MAR 1 1996

BY let R.S. #243
Public Service Commission
MISSOURI

FILED

96 - 147

MISSOURI
Public Service Commission

ACCESS SERVICE

RECEIVED

DEC 26 1995

7. Special Access Service

7.1 General

MISSOURI

Public Service Commission

Special Access Service provides a transmission path to connect customer designated premises, directly, through a Telephone Company hub or hubs where bridging or multiplexing functions are performed, or to connect a customer designated premises and a WATS Serving Office. Special Access Service includes all exchange access not utilizing Telephone Company end office switches.

The connections provided by Special Access Service can be either analog or digital. Analog connections are differentiated by spectrum and bandwidth. Digital connections are differentiated by bit rate.

7.1.1 Channel Types

There are seven types of channels used to provide Special Access Services. Each type has its own characteristics. All are subdivided by one or more of the following:

- Transmission specifications,
- Bandwidth,
- Speed (i.e., bit rate),
- Spectrum

Customers can order a basic channel and select from a list of those available transmission parameters and channel interfaces that they desire in order to meet specific communications requirements.

For purposes of ordering channels, each has been identified as a type of Special Access Service. However, such identification is not intended to limit a customer's use of the channel nor to imply that the channel is limited to a particular use. For example, if a customer's equipment is capable of transmitting voice over a channel that is identified as a Metallic Service in this tariff, there is no restriction against doing so.

CANCELLED

FEB 07 2000
By *1st R P244*
Public Service Commission
MISSOURI

FILED

1 1996
96 - 147
MISSOURI
Public Service Commission

ACCESS SERVICE

RECEIVED

DEC 26 1995

MISSOURI

Public Service Commission

7. Special Access Service (Cont'd)

7.1 General (Cont'd)

7.1.1 Channel Types (Cont'd)

Following is a brief description of each type of channel:

Metallic - a channel for the transmission of low speed varying signals at rates up to 30 baud.

Telegraph Grade - a channel for the transmission of binary signals at rates of 0 to 75 baud or 0 to 150 baud.

Voice Grade - a channel for the transmission of analog signals within an approximate bandwidth of 300 to 3000 Hz.

Program Audio - a channel for the transmission of audio signals. The nominal frequency bandwidths are from 200 to 3500 Hz, from 100 to 5000 Hz, from 50 to 8000 Hz, or from 50 to 15000 Hz.

Video - a channel for the transmission of standard 525 line 60 field monochrome or National Television Systems Committee color video signal and one or two associated 5 or 15 kHz audio signals. The bandwidth is either 30 Hz to 4.5 MHz or 30 Hz to 6.6 MHz.

Digital Data - a channel for the digital transmission of synchronous serial data at rates of 2.4, 4.8, 9.6, 19.2, 56 or 64 kpbs.

High Capacity - a channel for the transmission of isochronous serial digital data at rates of 1.544, 3.152, 6.312, 44.736 or 274.176 Mbps.

CANCELLED

FEB 07 2000

1st RP 245

Public Service Commission
MISSOURI

FILED

96 - 147

MISSOURI
Public Service Commission

RECEIVED

DEC 26 1995

ACCESS SERVICE

13. Additional Engineering, Additional Labor and Miscellaneous Services (IC 51)

MISSOURI

Public Service Commission

13.5 Presubscription

Pursuant to the Federal Communications Commission's Memorandum Opinion and Order, CC Docket No. 83-1145, Phase I, adopted May 31, 1985, and released June 12, 1985, the Allocation Plan, outlined in the Appendix B of this Order, will be available for inspection in the Public Reference Room of the Tariff Division at the Federal Communications Commission's Washington, D.C., location or may be obtained from the Commission's commercial contractor.

(A) Presubscription is the process by which end user customers may select and designate to the Telephone Company an IC to access, without an access code, for interLATA, Intrastate calls. This IC is referred to as the end user's predesignated IC.

(B) On the effective date of this tariff, all existing end users have access to Intrastate MTS/WATS. No later than 85 days prior to conversion to Feature Group D in a serving end office, the Telephone Company will notify end users of the availability of equal access in their particular area. The notification will include the names of all ICs wishing to participate in the presubscription process. This notification will be sent via U.S. Mail to each end user of record served by the end office to be converted.

(C) End users may select one of the following options at no charge:

- indicate a primary IC for all of its lines,
- indicate a different IC for each of its lines.

Only one IC may be selected for each line or lines terminating in the same hunt group.

End users may designate that they do not want to presubscribe to any IC. The end user must arrange this designation by directly notifying the Telephone Company's business office. This choice will require the end user to dial an access code (10XXX) for all Intrastate calls.

After the end user's initial selection of a predesignated IC or the designation that they do not want to presubscribe to any IC, for any change in selection after conversion to Equal Access in the serving end office, a nonrecurring charge, as set forth in 17.5.2(G) following applies.

CANCELLED

JUL 27 1999

By *1 RS #340*
Public Service Commission
MISSOURI

Issued: December 26, 1995

FILED

96 - 147

MISSOURI
Public Service Commission

Effective: January 1, 1996

ACCESS SERVICE

RECEIVED

DEC 26 1995

13. Additional Engineering, Additional Labor and Miscellaneous Services (Cont'd)

MISSOURI

Public Service Commission

13.5 Presubscription (Cont'd)

(D) End users not responding to the initial notification will be sent a second notification for the selection of a predesignated IC no earlier than 40 days prior to or no later than 90 days after the conversion to Equal Access in a serving end office. This second notification will indicate the primary IC that has been assigned to them if they fail to respond to the second notification.

After the allocation process has been completed, end users assigned to an IC via the allocation process may change their IC one time within six months after conversion to Equal Access in the serving end office at no charge.

Following the six month period after conversion to Equal Access for any change in selection, a nonrecurring charge as set forth in 17.5.2(G) following, applies.

(E) When an end user indicates more than one IC selection on the return notification or returns an illegible return notification, the Telephone Company will contact the end user for clarification. If the end user indicates an IC selection on the return notification that does not match with information provided by an IC and both notifications indicate the same authorization date, the end user's notification takes precedence and the Telephone Company will process the end user's selection. In the event that two or more ICs provide to the Telephone Company notifications with the same authorization date and neither notification has been processed, the Telephone Company will contact the end user for clarification. A list of these end users in conflict must be sent to the affected IC by the Telephone Company.

In the event that two or more ICs have provided to the Telephone Company notifications with the same authorization date(s), and one IC notification has already been processed by the Telephone Company, those IC notifications not yet processed would be returned to the ICs.

CANCELLED

JUL 22 1999

By *1 RS #341*
Public Service Commission
MISSOURI

FILED

REC - 1 1996
96 - 147

MISSOURI
Public Service Commission

ACCESS SERVICE

RECEIVED

JUL 26 1995

13. ~~Additional Engineering, Additional Labor and Miscellaneous Services~~ (Cont'd)

13.5 Presubscription (Cont'd)

MISSOURI

Public Service Commission

(F) New end users who are served by end offices equipped with Feature Group D will be asked to presubscribe to an IC at the time they place an order with the Telephone Company for Telephone Exchange Service. They may select either of the following options. There will be no charge for this initial selection.

- designate a primary IC for all of its lines,
- designate a different IC for each of its lines.

Only one IC may be selected for each individual line, or lines terminating in the same hunt group. Subsequent to the installation of Telephone Exchange Service and after the end user's initial selection of a predesignated IC, for any change in selection, a nonrecurring charge, as set forth in 17.5.2(G) following, applies.

(G) If the new end user fails to designate an IC as its predesignated IC prior to the date of installation of Telephone Exchange Service, the Telephone Company will (1) allocate the end user to an IC based upon current IC presubscription ratios, (2) require the end user to dial an access code (10XXX) for all Intrastate calls, or (3) block the end user from Intrastate calling. The end user will be notified which option will be applied if they fail to presubscribe to an IC. An allocated or blocked end user may designate another, or initial, IC as its predesignated IC one time at no charge, if it is requested within six months after the installation of Telephone Exchange Service.

For any change in selection after 6 months from the installation of Telephone Exchange Service, a nonrecurring charge, as set forth in 17.5.2(G) following applies.

CANCELLED

JUL 22 1995

By *VRS #342*
Public Service Commission
MISSOURI

FILED

96 - 147

MISSOURI
Public Service Commission

ACCESS SERVICE

RECEIVED

DEC 26 1995

13. Additional Engineering, Additional Labor and Miscellaneous Services (Cont'd)

13.5 Presubscription (Cont'd)

MISSOURI
Public Service Commission

(H) If an IC elects to discontinue its Feature Group D Service offering prior to or within 2 years of the conversion, the IC will notify the Telephone Company of the cancellation. The IC will also notify all end users which selected them that they are cancelling their service and that they should contact the Telephone Company to select a new primary IC. The IC will also inform the end user that it will pay the presubscription change charge. The cancelling IC will then be billed by the Telephone Company the appropriate charge for each end user for a period of two years from the discontinuance of Feature Group D service.

13.6 Verification of Orders for Long Distance Telemarketing

No IC shall submit to the Telephone Company a Primary Interexchange Carrier (PIC) change order generated by telemarketing unless and until the order has first been confirmed in accordance with one of the following procedures:

(A) The IC obtains the billed party's (e.g., an end user or the designator of the PIC for a pay telephone) written authorization to submit the PIC change order and confirms:

- The billed party's billing name and address and each telephone number to be covered by the PIC change order;
- The billed party's decision to change the PIC to the IC; and
- The billed party's understanding of the PIC change fee; or

(B) The IC obtains the billed party's electronic authorization to submit the PIC change order. The billed party will place a call, from the telephone number(s) on which the PIC is to be changed, to a toll free telephone number that is dedicated to the IC's PIC verification process. The verification number will connect the billed party to a voice response unit that records the originating ANI and the required information described in (A) preceding; or

CANCELLED

JUL 22 1999

By *1 RS #343*
Public Service Commission
MISSOURI

FILED

96 - 1 47

MISSOURI
Public Service Commission

ACCESS SERVICE

RECEIVED

13. Additional Engineering, Additional Labor and Miscellaneous Services ^(Cont'd) JUN 22 1999

13.10 Access Services Billing (Cont'd)

(B) Secondary/Additional Bills

MO. PUBLIC SERVICE COMM.

At the customer's written request, a secondary bill, in addition to the customer's primary bill will be provided on a monthly basis. The customer may choose as the medium for the secondary bill one of the following formats: standard paper, magnetic tape, or data transmission. Charges for the provision of a secondary bill are set forth in 17.5.2 following.

Additional copies of a customer's previous monthly access service bills will be provided in paper format, or magnetic tape/data transmission if the original bill was generated in this format. Requests for additional copies of previous monthly bills must be submitted in writing and shall specify the bill dates requested. Such a request, when not the result of a Telephone Company error will be subject to charges as set forth in 17.5.2 following. Unless specified otherwise, additional copies of the customer's access service bills and/or magnetic tapes will be sent via U.S. Mail Service.

13.11 IntraLATA Presubscription

(N)

(A) Presubscription is an arrangement whereby an end user may select and designate to the Telephone Company an interexchange Carrier (IC) to access, without an access code, for intraLATA intrastate toll calls. This IC is referred to as the end user's predesignated IC.

(B) Existing end users may exercise an initial free presubscription choice, within 180 days following implementation of ILP. If a customer has not decided upon an intraLATA IC at the conclusion of 90 days from implementation, the customer will default to their interLATA IC for intraLATA toll calls. If the customer's interLATA IC has not opted to be an intraLATA IC the customer will be assigned to a "no-pic" status and will have to dial an access code to make intraLATA toll calls. Any changes made 180 days after implementation will be subject to a nonrecurring charge as set forth in Section 17.5.2 following.

New end users who subscribe to service after the presubscription implementation date will be asked to select an intraLATA IC when they place an order for Telephone Company Exchange Service, at no charge. If a customer cannot decide upon an intraLATA IC, the customer will be assigned to a "no-pic" status and will have to dial an access code to make intraLATA toll calls. Any change made after the initial selection will be subject to a nonrecurring charge as set forth in Section 17.5.2 following.

(C) If a customer has selected more than one intraLATA IC, the Telephone Company will process the PIC with the latest customer authorization date.

(D) IntraLATA Presubscription costs shall be recovered from each IC, calculated using their monthly total originating intrastate access minutes of use over a three year period, beginning nine (9) months after implementation of ILP. The monthly charge for cost recovery is set forth in Section 17.5.2(K).

(N)

CANCELLED

NOV 30 2003
Grand R 349.2
Public Service Commission
MISSOURI

ACCESS SERVICE

RECEIVED

13. Additional Engineering, Additional Labor and Miscellaneous Services (Cont'd) **NOV 24 1997**

13.10 Access Services Billing (Cont'd)

MO. PUBLIC SERVICE COMMISSION (N)

(B) Secondary/Additional Bills

At the customer's written request, a secondary bill, in addition to the customer's primary bill will be provided on a monthly basis. The customer may choose as the medium for the secondary bill one of the following formats: standard paper, magnetic tape, or data transmission. Charges for the provision of a secondary bill are set forth in 17.5.2 following.

Additional copies of a customer's previous monthly access service bills will be provided in paper format, or magnetic tape/data transmission if the original bill was generated in this format. Requests for additional copies of previous monthly bills must be submitted in writing and shall specify the bill dates requested. Such a request, when not the result of a Telephone Company error will be subject to charges as set forth in 17.5.2 following. Unless specified otherwise, additional copies of the customer's access service bills and/or magnetic tapes will be sent via U.S. Mail Service.

CANCELLED

JUL 22 1999

By *J R S A 349.2*
Public Service Commission
MISSOURI

FILED

DEC 24 1997

MISSOURI
Public Service Commission

Issued: November 24, 1997

Effective: December 24, 1997

ACCESS SERVICE

RECEIVED

DEC 26 1995

MISSOURI
Public Service Commission

15. Access Service Interfaces and Transmission Specifications (Cont'd)

15.1 Switched Access Service (Cont'd)

15.1.1 Local Transport Interface Groups (Cont'd)

(E) Local Transport Optional Features (Cont'd)

The Interface Groups, as described in (A) through (D) preceding, represent industry standard arrangements. Where transmission parameters permit, the customer may select the following optional signaling arrangements in place of the signaling arrangements normally associated with the Interface Groups.

- For Interface Groups 1 and 2 associated with FGB, FGC or FGD

DX Supervisory Signaling,
E&M Type I Supervisory Signaling,
E&M Type II Supervisory Signaling, or
E&M Type III Supervisory Signaling

- For Interface Group 2 associated with FGB, FGC or FGD and in addition to the preceding

SF Supervisory Signaling, or
Tandem Supervisory Signaling

- For Interface Groups 3 through 5
Optional Supervisory Signaling Not Available

- For Interface Groups 6 through 10

These Interface Groups may, at the option of the customer, be provided with individual transmission path SF supervisory signaling where such signaling is available in Telephone Company central offices. Generally such signaling is available only where the first point of switching provides an analog (i.e., non digital) interface to the transport termination.

These optional supervisory signaling arrangements are not available in combination with the SS7 optional feature as described in 6.8.2(C)(2) preceding.

Additionally, in (F) following, there is a matrix of available Premises Interface Codes as a function of Interface Group, Telephone Company Switch Supervisory Signaling and Feature Group.

FILED

96 - 147
1996

MISSOURI
Public Service Commission

CANCELLED
OCT 20 1999
LRS# 357
Public Service Commission
MISSOURI

ACCESS SERVICE

17. Rates and Charges17.1 Common Line Access Service17.1.1 Carrier Common Line Access Service

Regulations concerning Carrier Common Line Access are set forth in Section 3 preceding.

	<u>Originating Rate</u>	<u>Terminating Rate</u>
(A) Interlata - Applied Per Access Minute	\$0.039916	\$0.000000 (R)
(B) Intralata - Applied Per Access Minute	\$0.016521	\$0.000000 (R)

CANCELLED
July 1, 2021
Missouri Public
Service Commission
JI-2021-0265

Issued: May 1, 2012

Effective: July 1, 2012

4001 Rodney Parham Rd.
Little Rock, Arkansas 72212

Filed
Missouri Public
Service Commission
TT-2012-0317; YI-2012-0647

ACCESS SERVICE

17. Rates and Charges

17.1 Common Line Access Service

17.1.1 Carrier Common Line Access Service

Regulations concerning Carrier Common Line Access are set forth in Section 3 preceding.

	<u>Originating Rate</u>	<u>Terminating Rate</u>	
(A) Interlata - Applied Per Access Minute	\$0.039916	\$0.0228450	(R)
(B) Intralata - Applied Per Access Minute	\$0.016521	\$0.028698	

Issued: September 15, 2011

Effective: November 1, 2011

CANCELLED

July 1, 2012

Missouri Public

Service Commission

TT-2012-0317; YI-2012-0647

4001 Rodney Parham Rd.
Little Rock, Arkansas 72212

FILED

Missouri Public

Service Commission

Jl-2012-0119

ACCESS SERVICE

17. Rates and Charges17.1 Common Line Access Service17.1.1 Carrier Common Line Access Service

Regulations concerning Carrier Common Line Access are set forth in Section 3 preceding.

	<u>Originating Rate</u>	<u>Terminating Rate</u>	
(A) Interlata - Applied Per Access Minute	\$0.039916	\$0.055993	(R)
(B) Intralata - Applied Per Access Minute	\$0.016521	\$0.028698	

 Issued: September 14, 2010

Effective: November 1, 2010

CANCELED
November 1, 2011
Missouri Public
Service Commission
JI-2012-0119

4001 Rodney Parham Rd.
Little Rock, Arkansas 72212

FILED
Missouri Public
Service Commission
JI-2011-0123

ACCESS SERVICE

17. Rates and Charges17.1 Common Line Access Service17.1.1 Carrier Common Line Access Service

Regulations concerning Carrier Common Line Access are set forth in Section 3 preceding.

	<u>Originating Rate</u>	<u>Terminating Rate</u>	
(A) Interlata - Applied Per Access Minute	\$0.039916	\$0.088044	(R)
(B) Intralata - Applied Per Access Minute	\$0.016521	\$0.028698	(R)

 Issued: September 30, 2009

Effective: November 1, 2009

CANCELLED
November 1, 2010
Missouri Public
Service Commission
JI-2011-0123

4001 Rodney Parham Rd.
Little Rock, Arkansas 72212

FILED
Missouri Public
Service Commission
JI-2010-0240

ACCESS SERVICE

17. Rates and Charges17.1 Common Line Access Service17.1.1 Carrier Common Line Access Service

Regulations concerning Carrier Common Line Access are set forth in Section 3 preceding.

	<u>Originating Rate</u>	<u>Terminating Rate</u>	
(A) Interlata - Applied Per Access Minute	\$0.048914	\$0.088044	
(B) Intralata - Applied Per Access Minute	\$0.023652	\$0.028698	(R)

 Issued: September 15, 2008

Effective: November 1, 2008

CANCELLED
November 1, 2009
Missouri Public
Service Commission
JI-2010-0240

4001 Rodney Parham Rd.
Little Rock, Arkansas 72212

(T)
FILED (T)
Missouri Public
Service Commission

REC'D SEP 28 1998

ALLTEL MISSOURI, INC.

MO. P.S.C. NO. 3

INTRASTATE ACCESS TARIFF
1st Revised Page 408
Replaces Original Page 408

ACCESS SERVICE

- 17. Rates and Charges
- 17.1 Common Line Access Service
- 17.1.1 Carrier Common Line Access Service

Regulations concerning Carrier Common Line Access are set forth in Section 3 preceding.

	<u>Originating Rate</u>	<u>Terminating Rate</u>	(D)
(A) Interlata - Applied Per Access Minute	\$0.048914	\$0.088044	(I) (R) (D) (D)
(B) Intralata - Applied Per Access Minute	\$0.023652	\$0.042668	(R) (R) (D)

(D)

CANCELLED
November 1, 2008
Missouri Public
Service Commission

Missouri Public
Service Commission
97-567

FILED OCT 28 1998

Issued: September 28, 1998

Effective: October 28, 1998

ACCESS SERVICE

RECEIVED

DEC 28 1995

MISSOURI
Public Service Commission

- 17. Rates and Charges
- 17.1 Common Line Access Service
- 17.1.1 Carrier Common Line Access Service

Regulations concerning Carrier Common Line Access are set forth in Section 3 preceding. See Section 1.3 for a listing of exchanges by Company.

- Applied Per Access Minute

(A) Intrastate InterLATA

	<u>Originating Rate</u>	<u>Terminating Rate</u>
ALLTEL MISSOURI, INC. Exchanges	\$0.0478	\$0.0919
Eastern Missouri Telephone Exchanges	\$0.0478	\$0.1480
Missouri Telephone Company	\$0.0478	\$0.0818

(B) Intrastate IntraLATA

	<u>Originating Rate</u>	<u>Terminating Rate</u>
ALLTEL MISSOURI, INC. Exchanges		
Full Level Volume 40,955,453 Access Minutes		
Full Level Per Minute	\$0.0403	\$0.0691
Discounted Level Per Minute	\$0.0005	\$0.0009
Eastern Missouri Telephone Exchanges		
Full Level Volume 6,690,343 Access Minutes		
Full Level Per Minute	\$0.0610	\$0.1045
Discounted Level Per Minute	\$0.0133	\$0.0228
Missouri Telephone Company per access minute	\$0.0271	\$0.0557

CANCELLED

OCT 28 1998
By *1st file Pg. 408*
Public Service Commission
MISSOURI

FILED

DEC 28 1995
96 - 147
MISSOURI
Public Service Commission

ACCESS SERVICE

RECEIVED

DEC 26 1995

MISSOURI
Public Service Commission

17. Rates and Charges (Cont'd)

17.2 Switched Access Service

17.2.1 Nonrecurring Charges

(A) Local Transport

Regulations concerning Local Transport are set forth in 6.4.1(B)(1) preceding.

Nonrecurring
Charge

- Installation Per Line or Trunk Connected \$204.88

(B) Interim NXX Installation

Regulations concerning Local Transport are set forth in 6.4.1(B)(2) preceding.

Charge

- Per Order N/A

FILED

1996 - 1
96 - 147

MISSOURI
Public Service Commission

Issued: December 26, 1995

Effective: January 1, 1996

CANCELLED
July 2, 2013
Missouri Public
Service Commission
JI-2013-0577

One Allied Drive
Little Rock, Arkansas 72203

ACCESS SERVICE

Missouri Public
Service Commission

REC'D DEC 03 1998

- 17. Rates and Charges (Cont'd)
- 17.2 Switched Access Service (Cont'd)
- 17.2.2 Local Transport

(A) Local Transport

Regulations concerning Local Transport are set forth in 6.1.3(A) preceding.

	<u>Rate</u>
(1) Per minute	\$0.016688

(B) Network Blocking Per Blocked Call

Regulations concerning Network Blocking are set forth in 6.8.6 preceding. Network Blocking applies to FGD only.

Monthly Charge	N/A
----------------	-----

(C) Carrier Identification Parameter (CIP)

Per Trunk

- Voice Grade
- DS1
- DS3

	<u>Rate</u>
	\$2.94
	\$70.56
	\$1,975.68

(N)
|
(N)

Missouri Public
Service Commission

FILED JAN 03 1999

Issued: December 3, 1998

Effective: January 3, 1999

CANCELLED

July 1, 2012

Missouri Public

Service Commission

TT-2012-0317; YI-2012-0647

One Allied Drive
Little Rock, Arkansas 72203

ACCESS SERVICE

**Missouri Public
Service Commission**

REC'D SEP 28 1998

17. Rates and Charges (Cont'd)

17.2 Switched Access Service (Cont'd)

17.2.2 Local Transport

(A) Local Transport

Regulations concerning Local Transport are set forth in 6.1.3(A) preceding.

(D)

	<u>Rate</u>	
(1) Per minute	\$0.016688	(C) (R)

(D)

(D)

(B) Network Blocking Per Blocked Call

Regulations concerning Network Blocking are set forth in 6.8.6 preceding. Network Blocking applies to FGD only.

Monthly Charge N/A

CANCELLED

JAN 03 1999

By *2nd RS #411*
**Public Service Commission
MISSOURI**

**Missouri Public
Service Commission**

97-567
FILED OCT 28 1998

ACCESS SERVICE

RECEIVED

DEC 28 1995

MISSOURI
Public Service Commission

- 17. Rates and Charges (Cont'd)
- 17.2 Switched Access Service (Cont'd)
- 17.2.2 Local Transport

(A) Local Transport

Regulations concerning Local Transport are set forth in 6.1.3(A) preceding. See Section 1.3 for a listing of Exchanges by Company.

(1) FGC & FGD Access, per minute

	<u>Rates</u>
ALLTEL MISSOURI, INC. Exchanges	\$0.0177
Eastern Missouri Telephone Company Exchanges	\$0.0194
Missouri Telephone Company Exchanges	\$0.0139

(2) FGA and FGB Premium Access, per minute

Call Miles

0 to 1	\$0.0066
Over 1 to 25	\$0.0139
Over 25 to 50	\$0.0525
Over 50	\$0.0823

(B) Network Blocking Per Blocked Call

Regulations concerning Network Blocking are set forth in 6.8.6 preceding. Network Blocking applies to FGD only.

Monthly Charge

N/A

CANCELLED

OCT 28 1998
By *1st RW - Pz. 411*
Public Service Commission
MISSOURI

FILED

DEC 28 1995
96 - 147
MISSOURI
Public Service Commission

ACCESS SERVICE

Missouri Public
Service Commission

REC'D NOV 13 1998

17. Rates and Charges (Cont'd)

17.2 Switched Access Service (Cont'd)

17.2.2 Local Transport (Con't)

(C) FGC and FGD SS7\MF Signaling Trunk Group Conversion Charge

Regulations concerning SS7\MF Signaling Trunk Group Conversion are set forth in 6.4.1(B)(4) preceding. Charges are applied per 24 trunks converted or fraction thereof.

Rate

N/A

(D) 800/888/877 Data Base Access Service Queries

Regulations concerning 800/888/877 Data Base Access Service are set forth in 6.10.2 preceding. 800/888/877 Data Base Query charges apply on a per completed query basis.

(C)
|
(C)

Basic
Query

Enhanced
Query

\$0.003713

\$0.003713

CANCELLED
July 1, 2021
Missouri Public
Service Commission
JI-2021-0265

Missouri Public
Service Commission

FILED DEC 13 1998

Issued: November 13, 1998

Effective: December 13, 1998

One Allied Drive
Little Rock, Arkansas 72203

ACCESS SERVICE

Missouri Public
Service Commission

REC'D SEP 28 1998

17. Rates and Charges (Cont'd)

17.2 Switched Access Service (Cont'd)

17.2.2 Local Transport (Con't)

(C) FGC and FGD SS7\MF Signaling Trunk Group Conversion Charge

Regulations concerning SS7\MF Signaling Trunk Group Conversion are set forth in 6.4.1(B)(4) preceding. Charges are applied per 24 trunks converted or fraction thereof.

Rate

N/A

(D) 800/888 Data Base Access Service Queries

Regulations concerning 800/888 Data Base Access Service are set forth in 6.10.2 preceding. 800/888 Data Base Query charges apply on a per completed query basis.

Basic
Query

Enhanced
Query

\$0.003713

\$0.003713

(I) (R)

CANCELLED

DEC 13 1998
by 444 RS# 412
Public Service Commission
MISSOURI

Missouri Public
Service Commission

97-567

FILED OCT 28 1998

ACCESS SERVICE

JUL 26 1997

17. Rates and Charges (Cont'd)

17.2 Switched Access Service (Cont'd)

17.2.2 Local Transport (Con't)

(C) FGC and FGD SS7\MF Signaling Trunk Group Conversion Charge

Regulations concerning SS7\MF Signaling Trunk Group Conversion are set forth in 6.4.1(B)(4) preceding. Charges are applied per 24 trunks converted or fraction thereof.

Rate

N/A

(D) 800/888 Data Base Access Service Queries

Regulations concerning 800/888 Data Base Access Service are set forth in 6.10.2 preceding. 800/888 Data Base Query charges apply on a per completed query basis.

(C)

Basic Query	Enhanced Query
\$0.0035	\$0.007165

CANCELLED

OCT 28 1998
By 3rd RW Pg. 412
Public Service Commission
MISSOURI

FILED

SEP -6 1997

MISSOURI
Public Service Commission

Issued: July 30, 1997

Effective: ~~July 30, 1997~~

SEP 06 1997

RECEIVED

ACCESS SERVICE

JAN 30 1996

**MISSOURI
Public Service Commission**

17. Rates and Charges (Cont'd)

17.2 Switched Access Service (Cont'd)

17.2.2 Local Transport (Con't)

(C) EGC and EGD SS7\MF Signaling Trunk Group Conversion Charge

Regulations concerning SS7\MF Signaling Trunk Group Conversion are set forth in 6.4.1(B)(4) preceding. Charges are applied per 24 trunks converted or fraction thereof.

Rate

N/A

(D) 800/888 Data Base Access Service Queries

(T)

Regulations concerning 800/888 Data Base Access Service are set forth in 6.10.2 preceding. 800/888 Data Base Query charges apply on a per query basis.

(T)

(T)

Basic
Query

Enhanced
Query

\$0.0035

\$0.007165

CANCELLED

SEP -6 1997
By J. R.S.
Public Service Commission
MISSOURI

FILED

MAR 1 1996

MO. PUBLIC SERVICE COMM

Issued: January 31, 1996

Effective: March 1, 1996

ACCESS SERVICE

RECEIVED

DEC 26 1995

MISSOURI
Public Service Commission

- 17. Rates and Charges (Cont'd)
- 17.2 Switched Access Service (Cont'd)
- 17.2.2 Local Transport (Con't)

(C) EGC and FGD SS7\MF Signaling Trunk Group Conversion Charge

Regulations concerning SS7\MF Signaling Trunk Group Conversion are set forth in 6.4.1(B)(4) preceding. Charges are applied per 24 trunks converted or fraction thereof.

Rate

N/A

(D) 800 Data Base Access Service Queries

Regulations concerning 800 Data Base Access Service are set forth in 6.10.2 preceding. 800 Data Base Query charges apply on a per query basis.

<u>Basic</u>	<u>Enhanced</u>
<u>Query</u>	<u>Query</u>
\$0.0035	\$0.007165

CANCELLED

MAR 1 1996
BY let R.S. #12
Public Service Commission
MISSOURI

FILED

MAR 1 1996
96 - 147
MISSOURI
Public Service Commission

Issued: December 26, 1995

Effective: January 1, 1996

ACCESS SERVICE

17. Rates and Charges (Cont'd)

17.2 Switched Access Service (Cont'd)

17.2.2 Local Transport (Con't)

(E) Entrance Facility Per Termination

	<u>Monthly Charge</u>	<u>Nonrecurring Charge</u>
Voice Grade 2 Wire	\$ 13.96	\$215.00
Voice Grade 4 Wire	22.34	215.00
DS1	110.97	303.00
DS3	1149.55	333.00

(F) Direct Trunk Transport

	<u>Facility Per Mile</u>	<u>Termination Per Termination</u>
Voice Grade	\$ 0.63	\$ 8.28
DS1	9.38	11.36
DS3	84.99	908.66

(G) Multiplexing Per Arrangement

	<u>Monthly Charge</u>
DS1 - Voice	\$149.70
DS3 - DS1	302.10

(H) Tandem Switched Transport

	<u>Originating</u>	<u>Terminating</u>
Tandem Switched Facility	\$0.0073192	*
Tandem Switched Termination per Minute	\$0.0001980	*
Tandem Switching per Minute	\$0.0092560	*
Tandem Switched Multiplexing per Minute, per Multiplexer	\$0.0000500	*

(C)
|
|
|
(C)

(I) Tandem Direct Trunk Port

	<u>Monthly Charge</u>
Voice Grade	\$14.62
DS1	5.12

*Rates are billed as set forth in the Windstream Telephone System's FCC Tariff No. 6 found at: <https://apps.fcc.gov/etfs/public/lecTariffs.action?idLec=154>

(C)
(C)

CANCELLED
July 1, 2021
Missouri Public
Service Commission
JI-2021-0265

Issued: June 26, 2017

Effective: July 1, 2017

4001 Rodney Parham Road
Little Rock, Arkansas 72212

FILED
Missouri Public
Service Commission
JI-2017-0271

ACCESS SERVICE

17. Rates and Charges (Cont'd)

17.2 Switched Access Service (Cont'd)

17.2.2 Local Transport (Con't)

(E) Entrance Facility Per Termination

	<u>Monthly Charge</u>	<u>Nonrecurring Charge</u>
Voice Grade 2 Wire	\$ 13.96	\$215.00
Voice Grade 4 Wire	22.34	215.00
DS1	110.97	303.00
DS3	1149.55	333.00

(F) Direct Trunk Transport

	<u>Facility Per Mile</u>	<u>Termination Per Termination</u>
Voice Grade	\$ 0.63	\$ 8.28
DS1	9.38	11.36
DS3	84.99	908.66

(G) Multiplexing Per Arrangement

	<u>Monthly Charge</u>
DS1 - Voice	\$149.70
DS3 - DS1	302.10

(H) Tandem Switched Transport

	<u>Rate</u>	
Tandem Switched Facility		
per Originating minute per mile	\$0.0073192	
per Terminating minute per mile	\$0.0001980	(T)
Tandem Switched Termination per Minute	\$0.0010000	(T)
Tandem Switching per Minute	\$0.0092560	
Tandem Switched Multiplexing per Terminating Minute	\$0.0000500	

(I) Tandem Direct Trunk Port

	<u>Monthly Charge</u>
Voice Grade	\$14.62
DS1	5.12

Issued: August 17, 2016

Effective: September 16, 2016

CANCELLED
 July 1, 2017
 Missouri Public
 Service Commission
 JI-2017-0271

4001 Rodney Parham Road
 Little Rock, Arkansas 72212

FILED
 Missouri Public
 Service Commission
 JI-2017-0032

ACCESS SERVICE

17. Rates and Charges (Cont'd)

17.2 Switched Access Service (Cont'd)

17.2.2 Local Transport (Con't)

(E) Entrance Facility Per Termination

	<u>Monthly Charge</u>	<u>Nonrecurring Charge</u>
Voice Grade 2 Wire	\$ 13.96	\$215.00
Voice Grade 4 Wire	22.34	215.00
DS1	110.97	303.00
DS3	1149.55	333.00

(F) Direct Trunk Transport

	<u>Facility Per Mile</u>	<u>Termination Per Termination</u>
Voice Grade	\$ 0.63	\$ 8.28
DS1	9.38	11.36
DS3	84.99	908.66

(G) Multiplexing Per Arrangement

	<u>Monthly Charge</u>
DS1 - Voice	\$149.70
DS3 - DS1	302.10

(H) Tandem Switched Transport

	<u>Rate</u>	
Tandem Switched Facility		
per Originating minute per mile	\$0.0073192	(T)
per Terminating minute per mile	\$0.0010000	(T)(R)
Tandem Switched Termination per Minute	\$0.0001980	
Tandem Switching per Minute	\$0.0092560	
Tandem Switched Multiplexing per Terminating Minute	\$0.0000500	(N)

(I) Tandem Direct Trunk Port

	<u>Monthly Charge</u>	
Voice Grade	\$14.62	
DS1	5.12	(N)

Issued: May 31, 2013

Effective: July 2, 2013

CANCELLED
 September 16, 2016
 Missouri Public
 Service Commission
 JI-2017-0032

4001 Rodney Parham Road
 Little Rock, Arkansas 72212

Filed
 Missouri Public
 Service Commission
 JI-2013-0577

ACCESS SERVICE

17. Rates and Charges (Cont'd)17.2 Switched Access Service (Cont'd)17.2.2 Local Transport (Con't)(E) Entrance Facility Per Termination

	<u>Monthly Charge</u>	<u>Nonrecurring Charge</u>
Voice Grade 2 Wire	\$ 13.96	\$215.00
Voice Grade 4 Wire	22.34	215.00
DS1	110.97	303.00
DS3	1149.55	333.00

(F) Direct Trunk Transport

	<u>Facility Per Mile</u>	<u>Termination Per Termination</u>
Voice Grade	\$ 0.63	\$ 8.28
DS1	9.38	11.36
DS3	84.99	908.66

(G) Multiplexing Per Arrangement

	<u>Monthly Charge</u>
DS1 - Voice	\$149.70
DS3 - DS1	302.10

(H) Tandem Switched Transport

	<u>Rate</u>
Tandem Switched Facility per minute per mile	\$0.0073192
Tandem Switched Termination per Minute	\$0.0001980
Tandem Switching per Minute	\$0.0092560

Issued: May 1, 2012

Effective: July 1, 2012

CANCELLED
July 2, 2013
Missouri Public
Service Commission
JI-2013-0577

4001 Rodney Parham Road
Little Rock, Arkansas 72212

Filed
Missouri Public
Service Commission
TT-2012-0317; YI-2012-0647

ACCESS SERVICE

17. Rates and Charges (Cont'd)

17.2 Switched Access Service (Cont'd)

17.2.3 End Office

(A) Local Switching

Regulations concerning Local Switching are contained in 6.1.3(B)(1) preceding.

(1) <u>Rates</u>	Rate per Access Minute		
	<u>Originating</u>	<u>Terminating</u>	
(a) LS1 - Originating and Terminating access minutes for Feature Groups A & B except: Feature Group B utilized for the provision of MTS/WATS service. Feature Groups A and B when utilized for the provision of terminating inward WATS and WATS-type services at an equal access WATS Serving Office.	\$0.026651	*	(C)
(b) LS2 - Originating and Terminating Access minutes for Feature Groups C & D including: Feature Group B utilized for the provision of MTS/WATS service. Feature Groups A and B when utilized for the provision of terminating inward WATS and WATS-type services at an equal access WATS Serving Office.	\$0.026651	*	(C)

*Rates are billed as set forth in the Windstream Telephone System's FCC Tariff No. 6 found at: <https://apps.fcc.gov/etfs/public/lecTariffs.action?idLec=154> (C)
 (C)

CANCELLED
 July 1, 2021
 Missouri Public
 Service Commission
 JI-2021-0265

Issued: June 26, 2017

Effective: July 1, 2017

4001 Rodney Parham Road
 Little Rock, Arkansas 72212

FILED
 Missouri Public
 Service Commission
 JI-2017-0271

ACCESS SERVICE

17. Rates and Charges (Cont'd)

17.2 Switched Access Service (Cont'd)

17.2.3 End Office

(A) Local Switching

Regulations concerning Local Switching are contained in 6.1.3(B)(1) preceding.

(1) <u>Rates</u>	Rate per Access Minute		
	<u>Originating</u>	<u>Terminating</u>	
(a) LS1 - Originating and Terminating access minutes for Feature Groups A & B except: Feature Group B utilized for the provision of MTS/WATS service. Feature Groups A and B when utilized for the provision of terminating inward WATS and WATS-type services at an equal access WATS Serving Office.	\$0.026651	\$0.000510	(R)
(b) LS2 - Originating and Terminating Access minutes for Feature Groups C & D including: Feature Group B utilized for the provision of MTS/WATS service. Feature Groups A and B when utilized for the provision of terminating inward WATS and WATS-type services at an equal access WATS Serving Office.	\$0.026651	\$0.000510	(R)

Issued: June 17, 2016

Effective: July 1, 2016

ACCESS SERVICE

17. Rates and Charges (Cont'd)

17.2 Switched Access Service (Cont'd)

17.2.3 End Office

(A) Local Switching

Regulations concerning Local Switching are contained in 6.1.3(B)(1) preceding.

		Rate per Access Minute		
		<u>Originating</u>	<u>Terminating</u>	
(1)	<u>Rates</u>			
(a)	LS1 - Originating and Terminating access minutes for Feature Groups A & B except: Feature Group B utilized for the provision of MTS/WATS service. Feature Groups A and B when utilized for the provision of terminating inward WATS and WATS-type services at an equal access WATS Serving Office.	\$0.026651	\$0.0011123	(R)
(b)	LS2 - Originating and Terminating Access minutes for Feature Groups C & D including: Feature Group B utilized for the provision of MTS/WATS service. Feature Groups A and B when utilized for the provision of terminating inward WATS and WATS-type services at an equal access WATS Serving Office.	\$0.026651	\$0.0011123	(R)

Issued: June 17, 2015

Effective: July 1, 2015

CANCELLED
 July 1, 2016
 Missouri Public
 Service Commission
 JI-2016-0356

4001 Rodney Parham Road
 Little Rock, Arkansas 72212

FILED
 Missouri Public
 Service Commission
 JI-2015-0365

ACCESS SERVICE

17. Rates and Charges (Cont'd)

17.2 Switched Access Service (Cont'd)

17.2.3 End Office

(A) Local Switching

Regulations concerning Local Switching are contained in 6.1.3(B)(1) preceding.

		Rate per Access Minute		
(1)	<u>Rates</u>	<u>Originating</u>	<u>Terminating</u>	
(a)	LS1 - Originating and Terminating access minutes for Feature Groups A & B except: Feature Group B utilized for the provision of MTS/WATS service. Feature Groups A and B when utilized for the provision of terminating inward WATS and WATS-type services at an equal access WATS Serving Office.	\$0.026651	\$0.001714	(R)
(b)	LS2 - Originating and Terminating Access minutes for Feature Groups C & D including: Feature Group B utilized for the provision of MTS/WATS service. Feature Groups A and B when utilized for the provision of terminating inward WATS and WATS-type services at an equal access WATS Serving Office.	\$0.026651	\$0.001714	(R)

Issued: June 17, 2014

Effective: July 1, 2014

FILED

CANCELLED
July 1, 2015
Missouri Public
Service Commission
JI-2015-0365

4001 Rodney Parham Road
Little Rock, Arkansas 72212

Missouri Public
Service Commission
JI-2014-0546

ACCESS SERVICE

17. Rates and Charges (Cont'd)17.2 Switched Access Service (Cont'd)17.2.3 End Office(A) Local Switching

Regulations concerning Local Switching are contained in 6.1.3(B)(1) preceding.

(1)	<u>Rates</u>	Rate per Access Minute		
		<u>Originating</u>	<u>Terminating</u>	
(a)	LS1 - Originating and Terminating access minutes for Feature Groups A & B except: Feature Group B utilized for the provision of MTS/WATS service. Feature Groups A and B when utilized for the provision of terminating inward WATS and WATS-type services at an equal access WATS Serving Office.	\$0.026651	\$0.002316	(R)
(b)	LS2 - Originating and Terminating Access minutes for Feature Groups C & D including: Feature Group B utilized for the provision of MTS/WATS service. Feature Groups A and B when utilized for the provision of terminating inward WATS and WATS-type services at an equal access WATS Serving Office.	\$0.026651	\$0.002316	(R)

Issued: May 31, 2013

Effective: July 2, 2013

CANCELLED
July 1, 2014
Missouri Public
Service Commission
JI-2014-0546

4001 Rodney Parham Road
Little Rock, Arkansas 72212

Filed
Missouri Public
Service Commission
JI-2013-0577

ACCESS SERVICE

- 17. Rates and Charges (Cont'd)
- 17.2 Switched Access Service (Cont'd)
- 17.2.3 End Office

(A) Local Switching

Regulations concerning Local Switching are contained in 6.1.3(B)(1) preceding.

(1) <u>Rates</u>	Rate per Access Minute		
	<u>Originating</u>	<u>Terminating</u>	(T)
(a) LS1 - Originating and Terminating access minutes for Feature Groups A & B except: Feature Group B utilized for the provision of MTS/WATS service. Feature Groups A and B when utilized for the provision of terminating inward WATS and WATS-type services at an equal access WATS Serving Office.	\$0.026651	\$0.019601	(R)
(b) LS2 - Originating and Terminating Access minutes for Feature Groups C & D including: Feature Group B utilized for the provision of MTS/WATS service. Feature Groups A and B when utilized for the provision of terminating inward WATS and WATS-type services at an equal access WATS Serving Office.	\$0.026651	\$0.019601	(R)

Issued: May 1, 2012

Effective: July 1, 2012

CANCELLED
 July 2, 2013
 Missouri Public
 Service Commission
 JI-2013-0577

4001 Rodney Parham Road
 Little Rock, Arkansas 72212

Filed
 Missouri Public
 Service Commission
 TT-2012-0317; YI-2012-0647

ACCESS SERVICE

Missouri Public
Service Commission

REC'D SEP 28 1998

- 17. Rates and Charges (Cont'd)
- 17.2 Switched Access Service (Cont'd)
- 17.2.3 End Office

(A) Local Switching

Regulations concerning Local Switching are contained in 6.1.3(B) (1) preceding.

(1) Rates

Rate per
Access Minute

- | | | | |
|-----|---|------------|-----|
| (a) | LS1 - Originating and Terminating access minutes for Feature Groups A & B except:

Feature Group B utilized for the provision of MTS/WATS service.

Feature Groups A and B when utilized for the provision of terminating inward WATS and WATS-type services at an equal access WATS Serving Office. | \$0.026651 | (I) |
| (b) | LS2 - Originating and Terminating access minutes for Feature Groups C & D including:

Feature Group B utilized for the provision of MTS/WATS service.

Feature Groups A and B when utilized for the provision of terminating inward WATS and WATS-type services at an equal access WATS Serving Office. | \$0.026651 | (I) |

Missouri Public
Service Commission

97-567
FILED OCT 28 1998

CANCELLED

July 1, 2012

Missouri Public Service Commission
Issued September 28, 1998

Effective: October 28, 1998

ACCESS SERVICE

RECEIVED

APR 15 1996

**MISSOURI
Public Service Commission**

- 17. Rates and Charges (Cont'd)
- 17.2 Switched Access Service (Cont'd)
- 17.2.3 End Office
 - (A) Local Switching

Regulations concerning Local Switching are contained in 6.1.3(B)(1) preceding.

(1) Rates

Rate per
Access Minute

- (a) LS1 - Originating and Terminating access minutes for Feature Groups A & B except: (2)

Feature Group B utilized for the provision of MTS/WATS service.

Feature Groups A and B when utilized for the provision of terminating inward WATS and WATS-type services at an equal access WATS Serving Office.

- (b) LS2 - Originating and Terminating access minutes for Feature Groups C & D including: \$0.011800

Feature Group B utilized for the provision of MTS/WATS service.

Feature Groups A and B when utilized for the provision of terminating inward WATS and WATS-type services at an equal access WATS Serving Office.

CANCELLED

OCT 28 1998
By *2nd Rev. pg. 413*
Public Service Commission
MISSOURI

FILED

MAY 20 1996

MO. PUBLIC SERVICE COMM

ACCESS SERVICE

- 17. Rates and Charges (Cont'd)
- 17.2 Switched Access Service (Cont'd)
- 17.2.3 End Office
 - (A) Local Switching

RECEIVED
DEC 26 1995
MISSOURI
Public Service Commission

Regulations concerning Local Switching are contained in 6.1.3(B)(1) preceding.

(1) Rates

Rate per
Access Minute

- (a) LS1 - Originating and Terminating access minutes for Feature Groups A & B except:

Feature Group B utilized for the provision of MTS/WATS service.

Feature Groups A and B when utilized for the provision of terminating inward WATS and WATS-type services at an equal access WATS Serving Office.

- (b) LS2 - Originating and Terminating access minutes for Feature Groups C & D including:

Feature Group B utilized for the provision of MTS/WATS service.

Feature Groups A and B when utilized for the provision of terminating inward WATS and WATS-type services at an equal access WATS Serving Office.

CANCELLED

MAY 20 1996
 BY 1st R.S. # 413
 Public Service Commission
 MISSOURI

FILED

Issued: December 26, 1995

Effective: January 1, 1996

One Allied Drive
Little Rock, Arkansas 72203

1996
 96 - 147
 MISSOURI
 Public Service Commission

ACCESS SERVICE

17. Rates and Charges (Cont'd)

17.2 Switched Access Service (Cont'd)

17.2.3 End Office

(B) <u>End Office Common Trunk Port</u>	<u>Rate</u>	
Per Terminating Access Minute	*	(C)
(C) <u>Directory Assistance Information Surcharge</u>		
Regulations concerning Information Surcharge are contained in 6.1.3(B) (3) preceding.	<u>Rate per 100 Access Minutes</u>	
The Information Surcharge is applied per 100 Access Minutes.	\$0.0000	
(E) <u>End Office Direct Trunk Port</u>		
	<u>Monthly Charge</u>	
Voice Grade	*	(C)
DS1	*	(C)

*Rates are billed as set forth in the Windstream Telephone System's FCC Tariff No. 6 found at: <https://apps.fcc.gov/etfs/public/lecTariffs.action?idLec=154> (C)

CANCELLED
July 1, 2021
Missouri Public
Service Commission
JI-2021-0265

Issued: June 26, 2017

Effective: July 1, 2017

4001 Rodney Parham Road
Little Rock, Arkansas 72212

FILED
Missouri Public
Service Commission
JI-2017-0271

ACCESS SERVICE

17. Rates and Charges (Cont'd)

17.2 Switched Access Service (Cont'd)

17.2.3 End Office

(B) End Office Common Trunk Port

Rate

Per Terminating Access Minute

\$0.000160 (R)

(C) Directory Assistance Information Surcharge

Regulations concerning Information Surcharge are contained in 6.1.3(B) (3) preceding.

Rate per 100
Access Minutes

The Information Surcharge is applied per 100 Access Minutes.

\$0.0000

(E) End Office Direct Trunk Port

Monthly Charge

Voice Grade

\$2.97 (R)

DS1

1.56 (R)

Issued: June 17, 2016

Effective: July 1, 2016

ACCESS SERVICE

17. Rates and Charges (Cont'd)

17.2 Switched Access Service (Cont'd)

17.2.3 End Office

(B)	<u>End Office Common Trunk Port</u>	<u>Rate</u>	
	Per Terminating Access Minute	\$0.0003496	(R)
(C)	<u>Directory Assistance Information Surcharge</u>		
	Regulations concerning Information Surcharge are contained in 6.1.3(B) (3) preceding.	Rate per 100 <u>Access Minutes</u>	
	The Information Surcharge is applied per 100 Access Minutes.	\$0.0000	
(E)	<u>End Office Direct Trunk Port</u>		
		<u>Monthly Charge</u>	
	Voice Grade	\$3.60	(R)
	DS1	1.89	(R)

Issued: June 17, 2015

Effective: July 1, 2015

CANCELLED
 July 1, 2016
 Missouri Public
 Service Commission
 JI-2016-0356

4001 Rodney Parham Road
 Little Rock, Arkansas 72212

FILED
 Missouri Public
 Service Commission
 JI-2015-0365

ACCESS SERVICE

17. Rates and Charges (Cont'd)

17.2 Switched Access Service (Cont'd)

17.2.3 End Office

(B) <u>End Office Common Trunk Port</u>	<u>Rate</u>	
Per Terminating Access Minute	\$0.000539	(R)
(C) <u>Directory Assistance Information Surcharge</u>		
Regulations concerning Information Surcharge are contained in 6.1.3(B)(3) preceding.	Rate per 100 <u>Access Minutes</u>	
The Information Surcharge is applied per 100 Access Minutes.	\$0.0000	
(E) <u>End Office Direct Trunk Port</u>		
	<u>Monthly Charge</u>	
Voice Grade	\$4.23	(R)
DS1	2.23	(R)

Issued: June 17, 2014

Effective: July 1, 2014

FILED

CANCELLED
 July 1, 2015
 Missouri Public
 Service Commission
 JI-2015-0365

4001 Rodney Parham Road
 Little Rock, Arkansas 72212

**Missouri Public
 Service Commission
 JI-2014-0546**

ACCESS SERVICE

17. Rates and Charges (Cont'd)

17.2 Switched Access Service (Cont'd)

17.2.3 End Office

(B) <u>End Office Common Trunk Port</u>	<u>Rate</u>	(N)
Per Terminating Access Minute	\$0.000728	(N)
(C) <u>Directory Assistance Information Surcharge</u>		
Regulations concerning Information Surcharge are contained in 6.1.3(B)(3) preceding.	Rate per 100 <u>Access Minutes</u>	
The Information Surcharge is applied per 100 Access Minutes.	\$0.0000	
(E) <u>End Office Direct Trunk Port</u>		
	<u>Monthly Charge</u>	(N)
Voice Grade	\$4.86	
DS1	2.56	(N)

Issued: May 31, 2013

Effective: July 2, 2013

CANCELLED
 July 1, 2014
 Missouri Public
 Service Commission
 JI-2014-0546

4001 Rodney Parham Road
 Little Rock, Arkansas 72212

Filed
 Missouri Public
 Service Commission
 JI-2013-0577

ACCESS SERVICE

17. Rates and Charges (Cont'd)

17.2 Switched Access Service (Cont'd)

17.2.3 End Office

(B) Reserved for Future Use

(C) Directory Assistance Information Surcharge

Regulations concerning Information Surcharge are contained in 6.1.3(B)(3) preceding.

Rate per 100
Access Minutes

The Information Surcharge is applied per 100 Access Minutes.

\$0.0000 (R)

Issued: May 1, 2012

Effective: July 1, 2012

CANCELLED
July 2, 2013
Missouri Public
Service Commission
JI-2013-0577

4001 Rodney Parham Road
Little Rock, Arkansas 72212

Filed
Missouri Public
Service Commission
TT-2012-0317; YI-2012-0647

ALLTEL MISSOURI, INC.

MO. P.S.C. NO. 3

REC'D SEP 28 1998
INTRASTATE ACCESS TARIFF
2nd Revised Page 414

Replaces 1st Revised Page 414

ACCESS SERVICE

- 17. Rates and Charges (Cont'd)
- 17.2 Switched Access Service (Cont'd)
- 17.2.3 End Office
 - (B) Reserved for Future Use

(D)
|
(D)

(C) Directory Assistance Information Surcharge

Regulations concerning Information Surcharge are contained in 6.1.3(B) (3) preceding.

Rate per 100
Access Minutes

The Information Surcharge is applied per 100 Access Minutes.

\$0.0395 (R)

Missouri Public Service Commission
97-567
FILED OCT 28 1998

CANCELLED

July 1, 2012

Missouri Public Service Commission
Issued: September 28, 1998

Effective: October 28, 1998

TT-2012-0317; YI-2012-0647

One Allied Drive
Little Rock, Arkansas 72203

ACCESS SERVICE

RECEIVED

- 17. Rates and Charges (Cont'd)
- 17.2 Switched Access Service (Cont'd)
- 17.2.3 End Office
 - (B) Line Termination

JUN 10 1996

**MISSOURI
Public Service Commission**

Regulations concerning Information Surcharge are contained in 6.1.3(B)(2) preceding. See Section 1.3 for a listing of Exchanges by Company.

Rate per
Access Minute

(a) Common	\$0.0149
(b) Special Access	
ALLTEL MISSOURI, INC. Exchanges	\$0.0077
Eastern Missouri Telephone Exchanges	\$0.0149
Missouri Telephone Exchanges	\$0.0149

(C) Directory Assistance Information Surcharge

Regulations concerning Information Surcharge are contained in 6.1.3(B)(3) preceding.

Rate per 100
Access Minutes

The Information Surcharge is applied per 100 Access Minutes.	\$0.0397
--	----------

CANCELLED

OCT 28 1998
By *2nd NW pg 414*
Public Service Commission
MISSOURI

FILED

JUL 11 1996

(D)
MO. PUBLIC SERVICE COMM

ACCESS SERVICE

RECEIVED

DEC 26 1995

MISSOURI
Public Service Commission

- 17. Rates and Charges (Cont'd)
- 17.2 Switched Access Service (Cont'd)
- 17.2.3 End Office

(B) Line Termination

Regulations concerning Information Surcharge are contained in 6.1.3(B)(2) preceding. See Section 1.3 for a listing of Exchanges by Company.

Rate per
Access Minute

(a) Common	\$0.0149
(b) Special Access	
ALLTEL MISSOURI, INC. Exchanges	\$0.0077
Eastern Missouri Telephone Exchanges	\$0.0149
Missouri Telephone Exchanges	\$0.0149

(C) Directory Assistance Information Surcharge

Regulations concerning Information Surcharge are contained in 6.1.3(B)(3) preceding.

Rate per 100
Access Minutes

The Information Surcharge is applied per 100 Access Minutes. \$0.0397

CANCELLED

JUN 11 1995
BY let R. S. # 414
Public Service Commission
MISSOURI

FILED

JUN - 1 1996
96 - 147

ACCESS SERVICE

17. Rates and Charges (Cont'd)

17.2 Switched Access Service (Cont'd)

17.2.4 Assumed Minutes of Use

Assumed minutes of use are applicable to all issuing carriers referencing Section 6 of this tariff.

	<u>Assumed Minutes Per Month</u>	<u>Tariff Section Reference</u>
(A) Feature Group A, Two Way Calling	N/A	6.5.4
(B) Feature Group A, Originating Only	N/A	6.5.4
(C) Feature Group A, Terminating Only	N/A	6.5.4
(D) Feature Group B, Two Way Calling	N/A	6.6.4
(E) Feature Group B, Originating Only	N/A	6.6.4
(F) Feature Group B, Terminating Only	N/A	6.6.4

17.2.5 Toll VoIP-PSTN Traffic

Rate

(A) <u>Tandem Switched Facility</u> - per access minute per mile	\$0.000198	
(B) <u>Tandem Switched Termination</u> - per access minute per Termination	\$0.001000	
(C) <u>Tandem Switching</u> - per access minute per Tandem	\$0.009256	
(D) <u>Tandem Switched Multiplexing</u> - per access minute per Multiplexer	\$0.000050	
(E) <u>Local Switching</u> - per access minute	\$0.000510	(R)
(F) <u>End Office Common Trunk Port</u> - per access minute	\$0.000160	(R)

17.3 Special Access Service

17.3.1 Surcharge for Special Access Service

The Special Access Surcharge is applicable to all issuing carriers referencing Section 7 of this tariff.

	<u>Monthly Rate</u>	<u>Tariff Section Reference</u>
- Per Voice Grade Equivalent	\$25.00	7.3

Issued: June 17, 2016

Effective: July 1, 2016

ACCESS SERVICE

17. Rates and Charges (Cont'd)

17.2 Switched Access Service (Cont'd)

17.2.4 Assumed Minutes of Use

Assumed minutes of use are applicable to all issuing carriers referencing Section 6 of this tariff.

	<u>Assumed Minutes Per Month</u>	<u>Tariff Section Reference</u>
(A) Feature Group A, Two Way Calling	N/A	6.5.4
(B) Feature Group A, Originating Only	N/A	6.5.4
(C) Feature Group A, Terminating Only	N/A	6.5.4
(D) Feature Group B, Two Way Calling	N/A	6.6.4
(E) Feature Group B, Originating Only	N/A	6.6.4
(F) Feature Group B, Terminating Only	N/A	6.6.4

17.2.5 Toll VoIP-PSTN Traffic

Rate

(A) <u>Tandem Switched Facility</u> - per access minute per mile	\$0.000198	
(B) <u>Tandem Switched Termination</u> - per access minute per Termination	\$0.001000	
(C) <u>Tandem Switching</u> - per access minute per Tandem	\$0.009256	
(D) <u>Tandem Switched Multiplexing</u> - per access minute per Multiplexer	\$0.000050	
(E) <u>Local Switching</u> - per access minute	\$0.0011123	(R)
(F) <u>End Office Common Trunk Port</u> - per access minute	\$0.0003496	(R)

17.3 Special Access Service

17.3.1 Surcharge for Special Access Service

The Special Access Surcharge is applicable to all issuing carriers referencing Section 7 of this tariff.

	<u>Monthly Rate</u>	<u>Tariff Section Reference</u>
- Per Voice Grade Equivalent	\$25.00	7.3

Issued: June 17, 2015

Effective: July 1, 2015

ACCESS SERVICE

17. Rates and Charges (Cont'd)

17.2 Switched Access Service (Cont'd)

17.2.4 Assumed Minutes of Use

Assumed minutes of use are applicable to all issuing carriers referencing Section 6 of this tariff.

	<u>Assumed Minutes Per Month</u>	<u>Tariff Section Reference</u>
(A) Feature Group A, Two Way Calling	N/A	6.5.4
(B) Feature Group A, Originating Only	N/A	6.5.4
(C) Feature Group A, Terminating Only	N/A	6.5.4
(D) Feature Group B, Two Way Calling	N/A	6.6.4
(E) Feature Group B, Originating Only	N/A	6.6.4
(F) Feature Group B, Terminating Only	N/A	6.6.4

17.2.5 Toll VoIP-PSTN Traffic

Rate

(A) <u>Tandem Switched Facility</u> - per access minute per mile	\$0.000198	
(B) <u>Tandem Switched Termination</u> - per access minute per Termination	\$0.001000	
(C) <u>Tandem Switching</u> - per access minute per Tandem	\$0.009256	
(D) <u>Tandem Switched Multiplexing</u> - per access minute per Multiplexer	\$0.000050	
(E) <u>Local Switching</u> - per access minute	\$0.001714	(R)
(F) <u>End Office Common Trunk Port</u> - per access minute	\$0.000539	(R)

17.3 Special Access Service

17.3.1 Surcharge for Special Access Service

The Special Access Surcharge is applicable to all issuing carriers referencing Section 7 of this tariff.

	<u>Monthly Rate</u>	<u>Tariff Section Reference</u>
- Per Voice Grade Equivalent	\$25.00	7.3

Issued: June 17, 2014

Effective: July 1, 2014

CANCELLED
 July 1, 2015
 Missouri Public
 Service Commission
 JI-2015-0365

4001 Rodney Parham Road
 Little Rock, Arkansas 72212

FILED
 Missouri Public
 Service Commission
 JI-2014-0546

ACCESS SERVICE

17. Rates and Charges (Cont'd)

17.2 Switched Access Service (Cont'd)

17.2.4 Assumed Minutes of Use

Assumed minutes of use are applicable to all issuing carriers referencing Section 6 of this tariff.

	<u>Assumed Minutes Per Month</u>	<u>Tariff Section Reference</u>
(A) Feature Group A, Two Way Calling	N/A	6.5.4
(B) Feature Group A, Originating Only	N/A	6.5.4
(C) Feature Group A, Terminating Only	N/A	6.5.4
(D) Feature Group B, Two Way Calling	N/A	6.6.4
(E) Feature Group B, Originating Only	N/A	6.6.4
(F) Feature Group B, Terminating Only	N/A	6.6.4

17.2.5 Toll VoIP-PSTN Traffic

	<u>Rate</u>	(N)
(A) <u>Tandem Switched Facility</u> - per access minute per mile	\$0.000198	
(B) <u>Tandem Switched Termination</u> - per access minute per Termination	\$0.001000	
(C) <u>Tandem Switching</u> - per access minute per Tandem	\$0.009256	
(D) <u>Tandem Switched Multiplexing</u> - per access minute per Multiplexer	\$0.000050	
(E) <u>Local Switching</u> - per access minute	\$0.002316	
(F) <u>End Office Common Trunk Port</u> - per access minute	\$0.000728	

17.3 Special Access Service

17.3.1 Surcharge for Special Access Service

The Special Access Surcharge is applicable to all issuing carriers referencing Section 7 of this tariff.

	<u>Monthly Rate</u>	<u>Tariff Section Reference</u>
- Per Voice Grade Equivalent	\$25.00	7.3

RECEIVED

ACCESS SERVICE

JUN 10 1996

MISSOURI
Public Service Commission

- 17. Rates and Charges (Cont'd)
- 17.2 Switched Access Service (Cont'd)
- 17.2.4 Assumed Minutes of Use

Assumed minutes of use are applicable to all issuing carriers referencing Section 6 of this tariff.

	<u>Assumed Minutes Per Month</u>	<u>Tariff Section Reference</u>
(A) Feature Group A, Two Way Calling	N/A	6.5.4
(B) Feature Group A, Originating Only	N/A	6.5.4
(C) Feature Group A, Terminating Only	N/A	6.5.4
(D) Feature Group B, Two Way Calling	N/A	6.6.4
(E) Feature Group B, Originating Only	N/A	6.6.4
(F) Feature Group B, Terminating Only	N/A	6.6.4

- 17.3 Special Access Service
- 17.3.1 Surcharge for Special Access Service

The Special Access Surcharge is applicable to all issuing carriers referencing Section 7 of this tariff.

	<u>Monthly Rate</u>	<u>Tariff Section Reference</u>
- Per Voice Grade Equivalent	\$25.00	7.3

FILED

JUL 11 1996

MO. PUBLIC SERVICE COMM

Issued: June 11, 1996

Effective: July 11, 1996

CANCELLED
March 26, 2012
Missouri Public
Service Commission
JI-2012-0331

One Allied Drive
Little Rock, Arkansas 72203

RECEIVED

DEC 26 1995

MISSOURI
Public Service Commission

ACCESS SERVICE

- 17. Rates and Charges (Cont'd)
- 17.2 Switched Access Service (Cont'd)
- 17.2.4 Assumed Minutes of Use

Assumed minutes of use are applicable to all issuing carriers referencing Section 6 of this tariff.

	Assumed Minutes Per Month	Tariff Section Reference
(A) Feature Group A, Two Way Calling	N/A	6.5.4
(B) Feature Group A, Originating Only	N/A	6.5.4
(C) Feature Group A, Terminating Only	N/A	6.5.4
(D) Feature Group B, Two Way Calling	N/A	6.6.4
(E) Feature Group B, Originating Only	N/A	6.6.4
(F) Feature Group B, Terminating Only	N/A	6.6.4

17.3 Special Access Service

17.3.1 Surcharge for Special Access Service

The Special Access Surcharge is applicable to all issuing carriers referencing Section 7 of this tariff.

	Monthly Rate	Tariff Section Reference
- Per Voice Grade Equivalent	\$25.00	7.3

CANCELLED

JUN 11 1995
BY *WRS #415*
Public Service Commission
MISSOURI

Issued: December 26, 1995

Effective: January 1, 1996

FILED

One Allied Drive
Little Rock, Arkansas 72203

JUN 11 1996
96 - 147
MISSOURI
Public Service Commission

RECEIVED

DEC 26 1995

**MISSOURI
Public Service Commission**

ACCESS SERVICE

- 17. Rates and Charges (Cont'd)
- 17.3 Special Access Service (Cont'd)
- 17.3.2 Metallic Service

Regulations concerning Metallic Service are set forth in 7.4 preceding.

(A) Channel Termination Per Termination

	<u>Monthly Rate</u>	<u>Nonrecurring Charge</u>
(1) Two-Wire	\$15.99	\$80.02
	<u>Facility Per Mile</u>	<u>Termination Per Termination</u>
(B) <u>Channel Mileage</u>	\$1.70	\$31.54

17.3.3 Telegraph Grade Service

Regulations concerning Telegraph Grade Service are set forth in 7.5 preceding.

(A) Channel Termination Per Termination

	<u>Monthly Rate</u>	<u>Nonrecurring Charge</u>
(1) Two-Wire	N/A	N/A
(2) Four-Wire	N/A	N/A

	<u>Facility Per Mile</u>	<u>Termination Per Termination</u>
(B) <u>Channel Mileage</u>	N/A	N/A

(C) Optional Features and Functions

(1) Telegraph Bridging Per Port	<u>Monthly Rate</u>
- Two Wire/Four Wire	N/A

CANCELLED
JUN 11 1996
BY let R.S. #416
Public Service Commission
MISSOURI

ACCESS SERVICE

RECEIVED

DEC 26 1995

**MISSOURI
Public Service Commission**

- 17. Rates and Charges (Cont'd)
- 17.3 Special Access Service (Cont'd)
- 17.3.4 Voice Grade Service (Cont'd)

Regulations concerning Voice Grade Service are set forth in 7.6 preceding.

(A) Channel Termination Per Termination

	<u>Monthly Rate</u>	<u>Nonrecurring Charge</u>
(1) Two-Wire	\$23.40	\$82.40
(2) Four-Wire	\$37.45	\$82.40

	<u>Facility Per Mile</u>	<u>Termination Per Termination</u>
(B) <u>Channel Mileage</u>	\$1.70	\$31.54

(C) Optional Features and Functions

	<u>Monthly Rate</u>
(1) Bridging Per Port	
- Two-Wire/Four-Wire	\$4.03
(2) Conditioning Per Termination	
- C-Type	\$6.01
(3) Conditioning Per Termination	
- D-Type (Data Capability)	\$1.34
(4) Conditioning Per Termination	
- Telephoto Capability	N/A
(5) Improved Return Loss for Effective Two-Wire or Four-Wire Transmission.	
Rate applied per Channel Termination.	\$1.78
(6) Customer Specified Receive Level per Two-Wire Termination.	N/A
(7) Multiplexing per Arrangement Voice to Telegraph grade per Channel Termination.	N/A

CANCELLED
JUN 11 1995
BY let R.S. #417
Public Service Commission
MISSOURI

FILED

ACCESS SERVICE

- 17. Rates and Charges (Cont'd)
- 17.3 Special Access Service (Cont'd)
- 17.3.4 Voice Grade Service (Cont'd)
- (C) Optional Features and Functions (Cont'd)

RECEIVED
JEC 26 1995
MISSOURI
Public Service Commission
Rate

(8)	Signaling Capability per Termination	\$13.87
(9)	Selective Signaling Arrangement per Arrangement.	\$14.83
(10)	Transfer Arrangement per four port Arrangement.	N/A
(11)	Public Packet Switching Network (PPSN) Interface Arrangement. Rate applied per Arrangement.	N/A
(12)	Improved Termination Option for Termination.	N/A

17.3.5 Program Audio Service

Regulations concerning Program Audio Service are set forth in 7.7 preceding.

(A) Channel Termination Per Termination

(1)	50 to 15,000 Hz	<u>Monthly Rate</u>	<u>Daily Rate</u>	<u>Nonrecurring Charge</u>
		\$44.82	\$4.48	\$189.00

(B) Channel Mileage

(1)	50 to 15,000	<u>Facility Per Mile</u>	<u>Termination Per Termination</u>		
		<u>Monthly Rate</u>	<u>Daily Rate</u>	<u>Monthly Rate</u>	<u>Daily Rate</u>
		\$13.84	\$1.38	\$125.80	\$12.51

CANCELLED

JUN 11 1995
BY let R.S. #418
Public Service Commission
MISSOURI

FILED

JUN 1 1996
96-147

MISSOURI
Public Service Commission

Issued: December 26, 1995

Effective: January 1, 1996

ACCESS SERVICE

RECEIVED

DEC 26 1995

MISSOURI
Public Service Commission

- 17. Rates and Charges (Cont'd)
- 17.5 Other Services (Cont'd)
- 17.5.2 Additional Engineering, Additional Labor and Miscellaneous Services (Cont'd)

(G) Presubscription

Regulations concerning Presubscription are set forth in 13.5 preceding. Charge is applied per Telephone Exchange Service Line or Trunk.

Nonrecurring
Charge

\$5.00

(H) Unauthorized PIC Changes

Regulations concerning unauthorized PIC changes are set forth in 13.7 preceding.

Charge is applied per Telephone Exchange Service Line or Trunk.

Nonrecurring
Charge

N/A

(I) Billing Name and Address Service

Regulations concerning Billing Name and Address Service are set forth in 13.9 preceding.

NRC Record
 Charge

N/A N/A

BNA Electronic
Format Charges

Magnetic Computer
Tape Diskette

N/A N/A

CANCELLED

JUL 22 1999

By 1 RS #429
Public Service Commission
MISSOURI

FILED

DEC - 1 1996
96 - 147

MISSOURI

Issued: December 26, 1995

Effective: January 1, 1996
Public Service Commission

ACCESS SERVICE

**Missouri Public
Service Commission**

REC'D MAR 22 2000

17. Rates and Charges (Cont'd)

17.5 Other Services (Cont'd)

17.5.2 Additional Engineering, Additional Labor and Miscellaneous Services (Cont'd)

(J) Access Services Billing

Regulations concerning Access Services Billing are set forth in 13.10 preceding.

(1) Secondary Bill

	<u>Monthly Rate</u>
Standard Paper(per page)	\$0.03
Magnetic Tape(per tape)	\$39.50
Data Transmission(per transmission)	\$20.25

(2) Additional Copies

	<u>Non Recurring Charge</u>
Standard Paper(per page)	\$0.06
Magnetic Tape(per tape)	\$48.00
Data Transmission(per transmission)	\$28.00

(K) Equal Access Cost Recovery

Regulations concerning Presubscription are set forth in 13.11 preceding. Charge is applied per total originating intrastate access minute.

Monthly
Charge

\$.000211

(N)

(L) IntraLATA Presubscription

Regulations concerning IntraLATA Presubscription are set forth in 13.11 preceding. Charge is applied per Telephone Exchange Service Line or Trunk.

Non Recurring
Charge

\$5.00

CANCELLED

NOV 30 2003
3rd RS 429.1
Public Service Commission
MISSOURI

**Missouri Public
Service Commission**

FILED APR 22 2000

ACCESS SERVICE

RECEIVED

JUN 22 1999

17. Rates and Charges (Cont'd)

17.5 Other Services (Cont'd)

17.5.2 Additional Engineering, Additional Labor and Miscellaneous Services (Cont'd)

MO. PUBLIC SERVICE COMMISSION

(J) Access Services Billing

Regulations concerning Access Services Billing are set forth in 13.10 preceding.

(1) Secondary Bill

Monthly
Rate

Standard Paper(per page)	\$0.03
Magnetic Tape(per tape)	\$39.50
Data Transmission(per transmission)	\$20.25

(2) Additional Copies

Non Recurring
Charge

Standard Paper(per page)	\$0.06
Magnetic Tape(per tape)	\$48.00
Data Transmission(per transmission)	\$28.00

(K) Equal Access Cost Recovery

(N)

Regulations concerning Presubscription are set forth in 13.11 preceding. Charge is applied per total originating intrastate access minute.

Monthly
Charge

To Be Determined

(L) IntraLATA Presubscription

Regulations concerning IntraLATA Presubscription are set forth in 13.11 preceding. Charge is applied per Telephone Exchange Service Line or Trunk.

Non Recurring
Charge

\$5.00

(N)

CANCELLED

APR 22 2000
by *219 RP 429.1*
**Public Service Commission
MISSOURI**

Missouri Public Service Commission

Issued: June 22, 1999

Effective: July 22, 1999

One Allied Drive
Little Rock, Arkansas 72203

RECEIVED

ACCESS SERVICE

NOV 24 1997

17. Rates and Charges (Cont'd)

17.5 Other Services (Cont'd)

MO. PUBLIC SERVICE COMMISSION

17.5.2 Additional Engineering, Additional Labor and Miscellaneous Services (Cont'd)

(J) Access Services Billing

(N)

Regulations concerning Access Services Billing are set forth in 13.10 preceding.

(1) Secondary Bill

Monthly
Rate

Standard Paper(per page)	\$0.03
Magnetic Tape(per tape)	\$39.50
Data Transmission(per transmission)	\$20.25

(2) Additional Copies

Non Recurring
Charge

Standard Paper(per page)	\$0.06
Magnetic Tape(per tape)	\$48.00
Data Transmission(per transmission)	\$28.00

(N)

CANCELLED

JUL 22 1999

By *1 RS #429.1*
Public Service Commission
MISSOURI

FILED

DEC 24 1997

MISSOURI
Public Service Commission

Issued: November 24, 1997

Effective: December 24, 1997