

ACCESS SERVICE

6. Switched Access Service (Cont'd)

6.7 Rate Regulations (Cont'd)

6.7.8 Measuring Access Minutes (Cont'd)

Usage rated FGA access minutes or fractions thereof, the exact value of the fraction being a function of the switch technology where the measurement is made, are accumulated over the billing period for each line or hunt group, and are then rounded up to the nearest access minute for each line or hunt group. Usage rated FGB, FGC and FGD access minutes or fractions thereof, the exact value of the fraction being a function of the switch technology where the measurement is made, are accumulated over the billing period for each end office, and are then rounded up to the nearest access minute for each end office.

Assumed minutes are used for FGA and FGB services which originate or terminate in end offices not equipped with measurement capabilities.

Where originating and/or terminating recording capability does not exist for FGA, the number of access minutes will be assumed to be 3080 access minutes per line if the line is arranged for two way calling, 1629 access minutes per line if the line is arranged for originating only calling, and 1451 access minutes per line if the line is arranged for termination only calling. When the line is arranged for two way calling and there is no recording capability for either direction, 1629 access minutes will be assumed to originate and 1451 access minutes will be assumed to be terminating. Where recording capability exists for either originating or terminating usage, but not both, on a line arranged for two way calling, the number of access minutes per line will be an assumed 3080 or the recorded usage, whichever is greater. If the usage in the measured direction exceeds 3080 access minutes, it will be assumed that there is zero usage in the unmeasured direction. If the measured usage is less than 3080 access minutes, the usage in the unmeasured direction will be assumed to be 3080 access minutes minus the measured usage (e.g., 3080-2000 measured = 1080 assumed in the unmeasured direction).

ISSUED:  
March 30, 2007

Mark D. Harper  
Director - State Regulatory  
5454 W. 110th Street  
Overland Park, Kansas 66211

EFFECTIVE:  
April 30, 2007

CANCELLED - Missouri Public Service Commission - 07/14/2023 - IN-2023-0447 - YI-2024-0001

UNITED TELEPHONE COMPANY  
OF MISSOURI

Original Page 251

ACCESS SERVICE

SEP 1 1992

6. Switched Access Service (Cont'd)

6.7 Rate Regulations (Cont'd)

6.7.8 Measuring Access Minutes (Cont'd)

Usage rated FGA access minutes or fractions thereof, the exact value of the fraction being a function of the switch technology where the measurement is made, are accumulated over the billing period for each line or hunt group, and are then rounded up to the nearest access minute for each line or hunt group. Usage rated FGB, FGC and FGD access minutes or fractions thereof, the exact value of the fraction being a function of the switch technology where the measurement is made, are accumulated over the billing period for each end office, and are then rounded up to the nearest access minute for each end office.

Assumed minutes are used for FGA and FGB services which originate or terminate in end offices not equipped with measurement capabilities.

Where originating and/or terminating recording capability does not exist for FGA, the number of access minutes will be assumed to be 3080 access minutes per line if the line is arranged for two way calling, 1629 access minutes per line if the line is arranged for originating only calling, and 1451 access minutes per line if the line is arranged for termination only calling. When the line is arranged for two way calling and there is no recording capability for either direction, 1629 access minutes will be assumed to be originating and 1451 access minutes will be assumed to be terminating. Where recording capability exists for either originating or terminating usage, but not both, on a line arranged for two way calling, the number of access minutes per line will be an assumed 3080 or the recorded usage, whichever is greater. If the usage in the measured direction exceeds 3080 access minutes, it will be assumed that there is zero usage in the unmeasured direction. If the measured usage is less than 3080 access minutes, the usage in the unmeasured direction will be assumed to be 3080 access minutes minus the measured usage (e.g., 3080-2000 measured= 1080 assumed in the unmeasured direction).

SEP 1 1992

ISSUED:  
September 17, 1992

BY: John L. Roe  
Vice President - Administration  
5454 West 110th Street  
Overland Park, Kansas 66211

EFFECTIVE:  
cOrzt.obe.r<-l:i';,.)9..WtaïYD  
NOV 7 1992

ACCESS SERVICE

6. Switched Access Service (Cont'd)

6.7 Rate Regulations (Cont'd)

6.7.8 Measuring Access Minutes (Cont'd)

Where originating and/or terminating recording capability does not exist for FGB provided to an entry switch, the number of access minutes will be assumed to be 9000 access minutes per trunk if the trunk is arranged for two way calling, and 4500 access minutes per trunk if the trunk is arranged for one way calling. When the trunk is arranged for one way calling and there is no recording capability for either direction, 4500 access minutes will be assumed to be originating and 4500 access minutes will be assumed to terminating. Where recording capability exists for either originating or terminating usage, but not both, on a trunk arranged for two way calling, the number of access minutes per trunk will be an assumed 9000 or the recorded usage, whichever is greater. If the usage in the measured direction exceeds 9000 access minutes, it will be assumed that there is zero usage in the unmeasured direction. If the measured usage is less than 9000 access minutes, the usage in the unmeasured direction will be assumed to be 9000 access minutes minus the measured usage (e.g., 9000 - 6000 measured = 3000 assumed in unmeasured direction).

CANCELLED - Missouri Public Service Commission - 07/14/2023 - IN-2023-0447 - YI-2024-0001

ISSUED:  
March 30, 2007

Mark D. Harper  
Director - State Regulatory  
5454 W. 110th Street  
Overland Park, Kansas 66211

EFFECTIVE:  
April 30, 2007

UNITED TELEPHONE COMPANY  
OF MISSOURI

Original Page 252

RECEIVED

ACCESS SERVICE

SEP 17 1992

6. Switched Access Service (Cont'd)

6.7 Rate Regulations (Cont'd)

6.7.8 Measuring Access Minutes (Cont'd)

Where originating and/or terminating recording capability does not exist for FGB provided to an entry switch, the number of access minutes will be assumed to be 9000 access minutes per trunk if the trunk is arranged for two way calling, and 4500 access minutes per trunk if the trunk is arranged for one way calling. When the trunk is arranged for one way calling and there is no recording capability for either direction, 4500 access minutes will be assumed to be originating and 4500 access minutes will be assumed to terminating. Where recording capability exists for either originating or terminating usage, but not both, on a trunk arranged for two way calling, the number of access minutes per trunk will be an assumed 9000 or the recorded usage, whichever is greater. If the usage in the measured direction exceeds 9000 access minutes, **it** will be assumed that there is zero usage in the unmeasured direction. If the measured usage is less than 9000 access minutes, the usage in the unmeasured direction will be assumed to be 9000 access minutes minus the measured usage (e.g., 9000 - 6000 measured • 3000 assumed in unmeasured direction).

ISSUED:  
September 17, 1992

BV: John L. Roe  
Vice President - Administration  
5454 West 110th Street  
Overland Park, Kansas 66211

EFFECTIVE:  
....CJAMQ;E.Uf ""Wi  
NOV 1 1992

ACCESS SERVICE

6. Switched Access Service (Cont'd)

6.7 Rate Regulations (Cont'd)

6.7.8 Measuring Access Minutes (Cont'd)

(A) Feature Group A Usage Measurement

For originating calls over FGA, usage measurement begins when the originating FGA entry switch receives an off-hook supervisory signal forwarded from the customer's point of termination.

CANCELLED - Missouri Public Service Commission - 07/14/2023 - IN-2023-0447 - YI-2024-0001

ISSUED:  
March 30, 2007

Mark D. Harper  
Director - State Regulatory  
5454 W. 110th Street  
Overland Park, Kansas 66211

EFFECTIVE:  
April 30, 2007

UNITED TELEPHONE COMPANY  
OF MISSOURI

Original Page 253

ACCESS SERVICE

RECEIVED  
SEP 17 1992

6. Switched Access Service (Cont'd)

6.7 Rate Regulations (Cont'd)

6.7.8 Measuring Access Minutes (Cont'd)

(A) Feature Group A Usage Measurement

For originating calls over FGA, usage measurement begins when the originating FGA entry switch receives an off-hook supervisory signal forwarded from the customer's point of termination.

1  
1

1, 1.

ISSUED:  
September 17, 1992

BY: John L. Roe  
Vice President - Administration  
5454 West 110th Street  
Overland Park, Kansas 66211

EFFECTIVE:  
4'F t n•WT&WdiM: - -  
NOV 7 '92

ACCESS SERVICE

6. Switched Access Service (Cont'd)

6.7 Rate Regulations (Cont'd)

6.7.8 Measuring Access Minutes (Cont'd)

(A) Feature Group A Usage Measurement (Cont'd)

The measurement of originating call usage over FGA ends when the originating FGA entry switch receives an on-hook supervisory signal from either the originating end user's end office, indicating the originating end user has disconnected, or the customer's point of termination, whichever is recognized first by the entry switch.

For terminating calls over FGA, usage measurement begins when the terminating FGA entry switch receives an off-hook supervisory signal from the terminating end user's end office, indicating the terminating end user has answered. The measurement of terminating call usage over FGA ends when the terminating FGA entry switch receives an on-hook supervisory signal from either the terminating end user's end office, indicating the terminating end user has disconnected, or the customer's point of termination, whichever is recognized first by the entry switch.

(B) Feature Group B Usage Measurement

For originating calls over FGB, usage measurement begins when the originating FGB entry switch receives answer supervision forwarded from the customer's point of termination, indicating the customer's equipment has answered.

The measurement of originating call usage over FGB ends when the originating FGB entry switch receives disconnect supervision from either the originating end user's end office, indicating the originating end user has disconnected, or the customer's point of termination, whichever is recognized first by the entry switch.

ISSUED:  
March 30, 2007

Mark D. Harper  
Director - State Regulatory  
5454 W. 110th Street  
Overland Park, Kansas 66211

EFFECTIVE:  
April 30, 2007

CANCELLED - Missouri Public Service Commission - 07/14/2023 - IN-2023-0447 - YI-2024-0001

UNITED TELEPHONE COMPANY  
OF MISSOURI

Original Page 254

RECEIVED

SEP 17 1992

ACCESS SERVICE

6. Switched Access Service (Cont'd)

6.7 Rate Regulations (Cont'd)

6.7.8 Measuring Access Minutes (Cont'd)

(A) Feature Group A Usage Measurement (Cont'd)

The measurement of originating call usage over FGA ends when the originating FGA entry switch receives an on-hook supervisory signal from either the originating end user's end office, indicating the originating end user has disconnected, or the customer's point of termination, whichever is recognized first by the entry switch.

For terminating calls over FGA, usage measurement begins when the terminating FGA entry switch receives an off-hook supervisory signal from the terminating end user's end office, indicating the terminating end user has answered. The measurement of terminating call usage over FGA ends when the terminating FGA entry switch receives an on-hook supervisory signal from either the terminating end user's end office, indicating the terminating end user has disconnected, or the customer's point of termination, whichever is recognized first by the entry switch.

(B) Feature Group B Usage Measurement

For originating calls over FGB, usage measurement begins when the originating FGB entry switch receives answer supervision forwarded from the customer's point of termination, indicating the customer's equipment has answered.

The measurement of originating call usage over FGB ends when the originating FGB entry switch receives disconnect supervision from either the originating end user's end office, indicating the originating end user has disconnected, or the customer's point of termination, whichever is recognized first by the entry switch.

11 15

NOV 11 1992

PAK

ISSUED:  
September 17, 1992

BY: John L. Roe  
Vice President - Administration  
5454 West 110th Street  
Overland Park, Kansas 66211

EFFECTIVE:  
~~October 7, 1992~~  
NOV 7 1992



## ACCESS SERVICE

6. Switched Access Service (Cont'd)6.7 Rate Regulations (Cont'd)6.7.8 Measuring Access Minutes (Cont'd)(B) Feature Group B Usage Measurement (Cont'd)

For terminating calls over FGB, usage measurement begins when the terminating FGB entry switch receives answer supervision from the terminating end user's end office, indicating the terminating end user has answered.

The measurement of terminating call usage over FGB ends when the terminating FGB entry switch receives disconnect supervision from either the terminating end user's end office, indicating the terminating end user has disconnected, or the customer's point of termination, whichever is recognized first by the entry switch.

(C) Feature Group C Usage Measurement

For originating calls over FGC, usage measurement begins when the originating FGC entry switch receives answer supervision from the customer's point of termination, indicating that the called party has answered.

The measurement of originating call usage over FGC ends when the originating FGC entry switch receives disconnect supervision from either the originating end user's end office, indicating the originating end user has disconnected, or the customer's point of termination, whichever is recognized first by the entry switch.

For terminating calls over FGC to services other than TFC, 900 or Directory Assistance, terminating FGC usage may not be directly measured at the terminating entry switch, but may be imputed from originating usage, excluding usage from calls to TFC, 900 or Directory Assistance Services. Actual measured usage will be used where available rather than an imputed value.

For terminating calls over FGC to TFC Service, usage measurement begins when the terminating FGC entry switch receives answer supervision from the terminating end user's end office, indicating the terminating TFC Service end user has answered.

ISSUED:  
March 30, 2007

Mark D. Harper  
Director - State Regulatory  
5454 W. 110th Street  
Overland Park, Kansas 66211

EFFECTIVE:  
April 30, 2007

CANCELLED - Missouri Public Service Commission - 07/14/2023 - IN-2023-0447 - YI-2024-0001

RECEIVED

ACCESS SERVICE

6. Switched Access Service (Cont'd)

MAR 27 1996

6.7 Rate Regulations (Cont'd)

MISSOURI  
Public Service Commission

6.7.8 Measuring Access Minutes (Cont'd)

(B) feature Group B Usage Measurement (Cont'd)

For terminating calls over FGB, usage measurement begins when the terminating FGB entry switch receives answer supervision from the terminating end user's end office, indicating the terminating end user has answered.

The measurement of terminating call usage over FGB ends when the terminating FGB entry switch receives disconnect supervision from either the terminating end user's end office, indicating the terminating end user has disconnected, or the customer's point of termination, whichever is recognized first by the entry switch.

(C) Feature Group C Usage Measurement

For originating calls over FGC, usage measurement begins when the originating FGC entry switch receives answer supervision from the customer's point of termination, indicating that the called party has answered.

The measurement of originating call usage over FGC ends when the originating FGC entry switch receives disconnect supervision from either the originating end user's end office, indicating the originating end user has disconnected, or the customer's point of termination, whichever is recognized first by the entry switch.

For terminating calls over FGC to services other than TFC, 900 or Directory Assistance. terminating FGC usage may not be directly measured at the terminating entry switch, but may be imputed from originating usage, excluding usage from calls to TFC, 900 or Directory Assistance Services. Actual measured usage will be used where available rather than an imputed value. (T)

For terminating calls over FGC to TFC Service, usage measurement begins when the terminating FGC entry switch receives answer supervision from the terminating end user's end office, indicating the terminating TFC Service end user has answered. (T)

FILED

APR 29 1996

ISSUED:  
March 27, 1996

BY: John L. Roe  
Vice President - Carrier and Regulatory Services  
5454 West 110th Street  
Overland Park, Kansas 66211

APR 29 1996  
EFFECTIVE DATE: April 29, 1996

ACCESS SERVICE

EXHIBIT

SEP 17 1992

6. Switched Access Service (Cont'd)

6.7 Rate Regulations (Cont'd)

MO. PUBLIC SERVICE COM. 1992

6.7.8 Measuring Access Minutes (Cont'd)

(B) Feature Group B Usage Measurement (Cont'd)

For terminating calls over FGB, usage measurement begins when the terminating FGB entry switch receives answer supervision from the terminating end user's end office, indicating the terminating end user has answered.

The measurement of terminating call usage over FGB ends when the terminating FGB entry switch receives disconnect supervision from either the terminating end user's end office, indicating the terminating end user has disconnected, or the customer's point of termination, whichever is recognized first by the entry switch.

CANCELLED

(C) Feature Group C Usage Measurement

For originating calls over FGC, usage measurement begins when the originating FGC entry switch receives answer supervision from the customer's point of termination, indicating that the called party has answered.

APR 29 1996  
BY Let R.S. # 255  
Public Service Commission  
MISSOURI

The measurement of originating call usage over FGC ends when the originating FGC entry switch receives disconnect supervision from either the originating end user's end office, indicating the originating end user has disconnected, or the customer's point of termination, whichever is recognized first by the entry switch.

For terminating calls over FGC to services other than 800, 900 or Directory Assistance, terminating FGC usage may not be directly measured at the terminating entry switch, but may be imputed from originating usage, excluding usage from calls to 800, 900 or Directory Assistance Services. Actual measured usage will be used where available rather than an imputed value.

For terminating calls over FGC to 800 Service, usage measurement begins when the terminating FGC entry switch receives answer supervision from the terminating end user's end office, indicating the terminating 800 Service end user has answered.

NOV 7 1992

ISSUED:  
September 17, 1992

BY: John L. Roe  
Vice President - Administration  
5454 West 110th Street  
Overland Park, Kansas 66211

MO. PUBLIC SERVICE COM. 1992

NOV 7 1992

ACCESS SERVICE

6. Switched Access Service (Cont'd)

6.7 Rate Regulations (Cont'd)

6.7.8 Measuring Access Minutes (Cont'd)

(C) Feature Group C Usage Measurement (Cont'd)

The measurement of terminating call usage over FGC to TFC Service ends when the terminating FGC entry switch receives an on-hook supervisory signal from the terminating end user's end office, indicating the terminating TFC Service end user has disconnected, or from the customer's point of termination, whichever is recognized first by the entry switch.

(D) Feature Group D Usage Measurement

For originating calls over FGD, usage measurement begins when the originating FGD entry switch receives the first wink supervisory signal forwarded from the customer's point of termination.

The measurement of originating call usage over FGD ends when the originating FGD entry switch receives disconnect supervision from either the originating end user's end office, indicating the originating end user has disconnected, or the customer's point of termination, whichever is recognized first by the entry switch.

For terminating calls over FGD, the measurement of access minutes begins when the terminating FGD entry switch receives answer supervision from the terminating end user's end office, indicating the terminating end user has answered.

The measurement of terminating call usage over FGD ends when the terminating FGD entry switch receives disconnect supervision from either the terminating end user's end office, indicating the terminating end user has disconnected, or the customer's point of termination, whichever is recognized first by the entry switch.

(E) Toll Free Code (TFC) Access Service Usage Measurement

Usage measurement from non-equal access and equal access end offices without the customer identification function begins when the originating end office switch receives off-hook supervision forwarded from the customer's point of termination, indicating the transmitted digits have been received, except for FGC as stated following.

Usage measurement for FGC begins when the originating end office receives off-hook answer supervision

ISSUED:  
March 30, 2007

Mark D. Harper  
Director - State Regulatory  
5454 W. 110th Street  
Overland Park, Kansas 66211

EFFECTIVE:  
April 30, 2007

CANCELLED - Missouri Public Service Commission - 07/14/2023 - IN-2023-0447 - YI-2024-0001

RECEIVED

ACCESS SERVICE

6. Switched Access Service (Cont'd)

MAR 27 1996

6.7 Rate Regulations (Cont'd)

MISSOURI  
Public Service Commission

6.7.8 Measuring Access Minutes (Cont'd)

(C) Feature Group C Usage Measurement (Cont'd)

The measurement of terminating call usage over FGC to TFC Service ends when the terminating FGC entry switch receives an on-hook supervisory signal from the terminating end user's end office, indicating the terminating TFC Service end user has disconnected, or from the customer's point of termination, whichever is recognized first by the entry switch. (T)

(D) Feature Group D Usage Measurement

For originating calls over FGD, usage measurement begins when the originating FGD entry switch receives the first wink supervisory signal forwarded from the customer's point of termination.

The measurement of originating call usage over FGD ends when the originating FGD entry switch receives disconnect supervision from either the originating end user's end office, indicating the originating end user has disconnected, or the customer's point of termination, whichever is recognized first by the entry switch.

For terminating calls over FGD, the measurement of access minutes begins when the terminating FGD entry switch receives answer supervision from the terminating end user's end office, indicating the terminating end user has answered.

The measurement of terminating call usage over FGD ends when the terminating FGD entry switch receives disconnect supervision from either the terminating end user's end office, indicating the terminating end user has disconnected, or the customer's point of termination, whichever is recognized first by the entry switch.

(E) Toll Free Code (TFC) Access Service Usage Measurement (T)

Usage measurement from non-equal access and equal access end offices without the customer identification function begins when the originating end office switch receives off-hook supervision forwarded from the customer's point of termination, indicating the transmitted digits have been received, except for FGC as stated following.

FILED

Usage measurement for FGC begins when the originating end office receives off-hook answer supervision.

APR 29 1996

MO. PUBLIC SERVICE COMM

ISSUED:  
March 27, 1996

BY: John L. Roe  
Vice President - Carrier and Regulatory Services  
5454 West 110th Street  
Overland Park, Kansas 66211

EFFECTIVE:  
April 29, 1996

RECEIVED

ACCESS SERVICE

JAN 11 1995

6. Switched Access Service (Cont'd)

6.7 Rate Regulations (Cont'd)

6.7.8 Measuring Access Minutes (Cont'd)

MO. PUBLIC SERVICE COMM.

(C) Feature Group C Usage Measurement (Cont'd)

The measurement of terminating call usage over FGC to 800 Service ends when the terminating FGC entry switch receives an on-hook supervisory signal from the terminating end user's end office, indicating the terminating 800 Service end user has disconnected from the customer's point of termination, whichever is recognized first by the entry switch.

CANCELLED

(D) Feature Group D Usage Measurement

For originating calls over FGD, usage measurement begins when the originating FGD entry switch receives the first wink supervisory signal forwarded from the customer's point of termination.

APR 29 1996

BY: R.S. # 256  
Public Service Commission  
MISSOURI

The measurement of originating call usage over FGD ends when the originating FGD entry switch receives disconnect supervision from either the originating end user's end office, indicating the originating end user has disconnected, or the customer's point of termination, whichever is recognized first by the entry switch.

For terminating calls over FGD, the measurement of access minutes begins when the terminating FGD entry switch receives answer supervision from the terminating end user's end office, indicating the terminating end user has answered.

The measurement of terminating call usage over FGD ends when the terminating FGD entry switch receives disconnect supervision from either the terminating end user's end office, indicating the terminating end user has disconnected, or the customer's point of termination, whichever is recognized first by the entry switch.

(E) 800 Access Service Usage Measurement

Usage measurement from non-equal access and equal access end offices without the customer identification function begins when the originating end office switch receives off-hook supervision forwarded from the customer's point of termination, indicating the transmitted digits have been received, except for FGC as stated following.

Usage measurement for FGC begins when the originating end office receives off-hook answer supervision.

(N)  
|  
(N)

FILED

FEB 11 1995

ISSUE DATE:  
January 11, 1995

BY: John L. Roe  
Vice President - Carrier and Regulatory Services  
5454 West 110th Street  
Overland Park, Kansas 66211

EFFECTIVE:  
February 11, 1995  
MISSOURI  
Public Service Commission

ACCESS SERVICE

RECEIVED

SEP 17 1992

6. Switched Access Service (Cont'd)

6.7 Rate Regulations (Cont'd)

MO. PUBLIC SERVICE COMMISSION

6.7.8 Measuring Access Minutes (Cont'd)

(C) Feature Group C Usage Measurement (Cont'd)

The measurement of terminating call usage over FGC to 800 Service ends when the terminating FGC entry switch receives an on-hook supervisory signal from the terminating end user's end office, indicating the terminating 800 Service end user has disconnected, or from the customer's point of termination, whichever is recognized first by the entry switch.

(D) Feature Group D Usage Measurement

For originating calls over FGD, usage measurement begins when the originating FGD entry switch receives the first wink supervisory signal forwarded from the customer's point of termination.

The measurement of originating call usage over FGD ends when the originating FGD entry switch receives disconnect supervision from either the originating end user's end office, indicating the originating end user has disconnected, or the customer's point of termination, whichever is recognized first by the entry switch.

For terminating calls over FGD, the measurement of access minutes begins when the terminating FGD entry switch receives answer supervision from the terminating end user's end office, indicating the terminating end user has answered.

The measurement of terminating call usage over FGD ends when the terminating FGD entry switch receives disconnect supervision from either the terminating end user's end office, indicating the terminating end user has disconnected, or the customer's point of termination, whichever is recognized first by the entry switch.

CANCELLED

RECEIVED

NOV 7 1992

MO. PUBLIC SERVICE COMMISSION

FEB 11 1995  
BY *John L. Roe* R.S. # 256  
Public Service Commission  
MISSOURI

ISSUED:  
September 17, 1992

Vice President - Administration  
5454 West 110th Street  
Overland Park, Kansas 66211

EFFECTIVE:  
~~September 17, 1992~~  
NOV 7 1992

ACCESS SERVICE

6. Switched Access Service (Cont'd)

6.7 Rate Regulations (Cont'd)

6.7.8 Measuring Access Minutes (Cont'd)

(E) TFC Access Service Usage Measurement (Cont'd)

forwarded from the customer's point of termination, indicating the called party has answered.

Usage measurement from equal access end offices with the customer identification function begins when the originating end office switch receives the first wink supervisory signal forwarded from the customer's point of termination.

In all cases, usage measurement ends when the originating end office receives on-hook disconnect supervision from either the originating end user's end office, indicating the originating end user has disconnected, or the customer's point of termination, which ever is recognized first by the end office.

(F) 900 Access Service Usage Measurement

Usage measurement from non-equal access and equal access end offices without the customer identification function begins when the originating end office switch receives off-hook supervision forwarded from the customer's point of termination, indicating the transmitted digits have been received, except for FGC as stated following.

Usage measurement for FGC begins when the originating end office receives off-hook answer supervision forwarded from the customer's point of termination, indicating the called party has answered.

Usage measurement from equal access end offices with the customer identification function begins when the originating end office switch receives the first wink supervisory signal forwarded from the customer's point of termination.

In all cases, usage measurement ends when the originating end office receives on-hook disconnect supervision from either the originating end user's end office, indicating the originating end user has disconnected, or the customer's point of termination, which ever is recognized first by the end office.

(G) Interim 500 Access Service Usage Measurement

Usage measurement from non-equal access and equal access end offices without the customer identification function begins when the originating end office switch receives off-hook supervision forwarded from the customer's point of termination, indicating the

ISSUED:  
March 30, 2007

Mark D. Harper  
Director - State Regulatory  
5454 W. 110th Street  
Overland Park, Kansas 66211

EFFECTIVE:  
April 30, 2007

CANCELLED - Missouri Public Service Commission - 07/14/2023 - IN-2023-0447 - YI-2024-0001



**RECEIVED**

ACCESS SERVICE

6. Switched Access Service (Cont'd)

MAR 27 1996

6.7 Rate Regulations (Cont'd)

6.7.8 Measuring Access Minutes (Cont'd)

MISSOURI  
Public Service Commission (T)

(E) TFC Access Service Usage Measurement (Cont'd)

forwarded from the customer's point of termination, indicating the called party has answered.

Usage measurement from equal access end offices with the customer identification function begins when the originating end office switch receives the first wink supervisory signal forwarded from the customer's point of termination.

In all cases, usage measurement ends when the originating end office receives on-hook disconnect supervision from either the originating end user's end office, indicating the originating end user has disconnected, or the customer's point of termination, which ever is recognized first by the end office.

(F) 900 Access Service Usage Measurement

Usage measurement from non-equal access and equal access end offices without the customer identification function begins when the originating end office switch receives off-hook supervision forwarded from the customer's point of termination, indicating the transmitted digits have been received, except for FGC as stated following.

Usage measurement for FGC begins when the originating end office receives off-hook answer supervision forwarded from the customer's point of termination, indicating the called party has answered.

Usage measurement from equal access end offices with the customer identification function begins when the originating end office switch receives the first wink supervisory signal forwarded from the customer's point of termination.

In all cases, usage measurement ends when the originating end office receives on-hook disconnect supervision from either the originating end user's end office, indicating the originating end user has disconnected, or the customer's point of termination, which ever is recognized first by the end office.

(G) Interim 500 Access Service Usage Measurement **FILED**

Usage measurement from non-equal access and equal access end offices without the customer identification function begins when the originating end office switch receives off-hook supervision forwarded from the customer's point of termination, indicating the

MO. PUBLIC SERVICE COMM

ISSUED:  
March 27, 1996

BY: John L. Roe  
Vice President - Carrier and Regulatory Services  
5454 West 110th Street  
Overland Park, Kansas 66211

EFFECTIVE:  
April 29, 1996

ACCESS SERVICE

RECEIVED

6. Switched Access Service (Cont'd)

JAN 11 1995

6.7 Rate Regulations (Cont'd)

6.7.8 Measuring Access Minutes (Cont'd)

MO. PUBLIC SERVICE COMM.

(E) 800 Access Service Usage Measurement (Cont'd)

forwarded from the customer's point of termination, indicating the called party has answered.

Usage measurement from equal access end offices with the customer identification function begins when the originating end office switch receives the first wink supervisory signal forwarded from the customer's point of termination.

In all cases, usage measurement ends when the originating end office receives on-hook disconnect supervision from either the originating end office or the end office, indicating the originating end user has disconnected, or the customer's point of termination, which ever is recognized first by the end office.

(F) 900 Access Service Usage Measurement

Usage measurement from non-equal access and equal access end offices without the customer identification function begins when the originating end office switch receives off-hook supervision forwarded from the customer's point of termination, indicating the transmitted digits have been received, except for FGC as stated following.

Usage measurement for FGC begins when the originating end office receives off-hook answer supervision forwarded from the customer's point of termination, indicating the called party has answered.

Usage measurement from equal access end offices with the customer identification function begins when the originating end office switch receives the first wink supervisory signal forwarded from the customer's point of termination.

In all cases, usage measurement ends when the originating end office receives on-hook disconnect supervision from either the originating end user's end office, indicating the originating end user has disconnected, or the customer's point of termination, which ever is recognized first by the end office.

(G) Interim 500 Access Service Usage Measurement

Usage measurement from non-equal access and equal access end offices without the customer identification function begins when the originating end office switch receives off-hook supervision forwarded from the customer's point of termination, indicating the

CANCELLED  
APR 29 1995  
BY let R.S. # 256.1  
Missouri Public Service Commission

FILED  
FEB 11 1995

ISSUE DATE:  
January 11, 1995

BY: John L. Roe  
Vice President - Carrier and Regulatory Services  
5454 West 110th Street  
Overland Park, Kansas 66211

MISSOURI  
Public Service Commission  
February 11, 1995

ACCESS SERVICE

6. Switched Access Service (Cont'd)

6.7 Rate Regulations (Cont'd)

6.7.8 Measuring Access Minutes (Cont'd)

(G) Interim 500 Access Service Usage Measurement (Cont'd)

transmitted digits have been received, except for FGC as stated following.

Usage measurement for FGC begins when the originating end office receives off-hook answer supervision forwarded from the customer's point of termination, indicating the called party has answered.

Usage measurement from equal access end offices with the customer identification function begins when the originating end office switch receives the first wink supervisory signal forwarded from the customer's point of termination.

In all cases, usage measurement ends when the originating end office receives on-hook disconnect supervision from either the originating end user's end office, indicating the originating end user has disconnected, or the customer's point of termination, which ever is recognized first by the end office.

6.7.9 Accumulation of Number of Transmission Paths

The number of transmission paths used to determine the charges as set forth in Section 6.8 shall be the sum of the number of paths actually provided as set forth in Section 6.5.5.

(N)  
—  
(N)

CANCELLED - Missouri Public Service Commission - 07/14/2023 - IN-2023-0447 - YI-2024-0001

ISSUED:  
May 1, 2012

Gary L. Kepley  
Director - Regulatory Operations  
5454 W. 110th Street  
Overland Park, Kansas 66211

FILED  
Missouri Public  
Service Commission  
TT-2012-0317, YI-2012-0635

EFFECTIVE:  
July 3, 2012

UNITED TELEPHONE COMPANY  
OF MISSOURI

Original Page 256.2

RECEIVED

ACCESS SERVICE

JAN 11 1995

6. Switched Access Service (Cont'd)

6.7 Rate Regulations (Cont'd)

MO. PUBLIC SERVICE COMM.

6.7.8 Measuring Access Minutes (Cont'd)

(G) Interim 500 Access Service Usage Measurement (Cont'd)

transmitted digits have been received, except for FGC as stated following.

Usage measurement for FGC begins when the originating end office receives off-hook answer supervision forwarded from the customer's point of termination, indicating the called party has answered.

Usage measurement from equal access end offices with the customer identification function begins when the originating end office switch receives the first wink supervisory signal forwarded from the customer's point of termination.

In all cases, usage measurement ends when the originating end office receives on-hook disconnect supervision from either the originating end user's end office, indicating the originating end user has disconnected, or the customer's point of termination, which ever is recognized first by the end office.

FILED

FEB 11 1995

MISSOURI  
Public Service Commission  
EFFECTIVE:

February 11, 1995

ISSUE DATE:  
January 11, 1995

BY: John L. Roe  
Vice President - Carrier and Regulatory Services  
5454 West 110th Street  
Overland Park, Kansas 66211

Cancelled

April 30, 2007  
Missouri Public  
Service Commission

ACCESS SERVICE

6. Switched Access Service (Cont'd)

6.7 Rate Regulations (Cont'd)

6.7.10 Network Blocking Charge for Feature Group D (T)

The customer will be notified by the Telephone Company to increase its capacity when excessive trunk group blocking occurs on groups carrying Feature Group D traffic. Excessive trunk group blocking occurs when the blocking thresholds as described in 6.5.7 preceding are exceeded. If the order for sufficient additional capacity to handle the customers' traffic has not been received by the Telephone Company within 15 days of the notification, the Telephone Company will bill the customer, at the rate set forth in 6.8.2(C) following, for each overflow in excess of the chargeable threshold.

Chargeable Thresholds

For Trunk Groups As Specified in 6.5.7(D)(1)

<u>Trunk Group Size</u>	<u>Allowable Overflows Per Trunk Per Month</u>
1-2	18
3-4	19
5-6	13
7-40	10
41-139	9
140-500	8
501 or greater	7

For Trunk Groups As Specified in 6.5.7(D)(2)

<u>Trunk Group Size</u>	<u>Allowable Overflows Per Trunk Per Month</u>
1-4	10
5-6	8
7-125	6
126 or greater	5

ISSUED:  
May 1, 2012

Gary L. Kepley  
Director - Regulatory Operations  
5454 W. 110th Street  
Overland Park, Kansas 66211

EFFECTIVE:  
July 3, 2012

FILED  
Missouri Public  
Service Commission  
TT-2012-0317, YI-2012-0635

CANCELLED - Missouri Public Service Commission - 07/14/2023 - IN-2023-0447 - YI-2024-0001

SPRINT MISSOURI, INC.  
d/b/a SPRINT

First Revised Page 257  
Cancels Original Page 257

Missouri Public

ACCESS SERVICE

REC'D JAN 07 2002

6. Switched Access Service (Cont'd)

Service Commission

6.7 Rate Regulations (Cont'd)

6.7.9 Network Blocking Charge for Feature Group D

The customer will be notified by the Telephone Company to increase its **capacity when** excessive trunk group blocking occurs on groups carrying Feature Group D traffic. Excessive trunk group blocking occurs when the blocking thresholds as described in 6.5.7 preceding are exceeded. If the order for sufficient additional capacity to handle the customers' traffic has not been received by the Telephone Company within 15 days of the notification, the Telephone Company will bill the customer, at the rate set forth in 6.8.2(C) following, for each overflow in excess of the chargeable threshold.

(C)

Chargeable Thresholds

For Trunk Groups As Specified in 6.5.7(D)(1)

<u>Trunk Group Size</u>	<u>Allowable Overflows Per Trunk Per Month</u>
1-2	18
3-4	19
5-6	13
7-40	10
41-139	9
140-500	8
501 or greater	7

(Z)

For Trunk Groups As Specified in 6.5.7(D)(2)

<u>Trunk Group Size</u>	<u>Allowable Overflows Per Trunk Per Month</u>
1-4	10
5-6	8
7-125	6
126 or greater	5

Missouri Public

FILED FEB 07 2002

Service Commission

ISSUED:  
January 7, 2002

Richard D. Lawson  
State Executive, External Affairs  
319 Madison  
Jefferson City, MO 65101

EFFECTIVE:  
February 7, 2002

Cancelled

April 30, 2007  
Missouri Public  
Service Commission

ACCESS SERVICE

RECEIVED

SEP 17 1992

6. Switched Access Service (Cont'd)

6.7 Rate Regulations (Cont'd)

MISSOURI PUBLIC SERVICE COMMISSION

6.7.9 Network Blocking Charge for Feature Group D

The customer will be notified by the Telephone Company to increase its capacity (busy hour minutes of capacity or quantities of trunks) when excessive trunk group blocking occurs on groups carrying Feature Group D traffic. Excessive trunk group blocking occurs when the blocking thresholds as described in 6.5.7 preceding are exceeded. If the order for sufficient additional capacity to handle the customers' traffic has not been received by the Telephone Company within 15 days of the notification, the Telephone Company will bill the customer, at the rate set forth in 6.8.2(C) following, for each overflow in excess of the chargeable threshold.

Chargeable Thresholds

For Trunk Groups As Specified in 6.5.7(D)(1)

<u>Trunk Group Size</u>	<u>Allowable Overflows Per Trunk Per Month</u>
1-2	18
3-4	19
5-6	13
7-40	10
40-139	9
140-500	8
501 or greater	7

For Trunk Groups As Specified in 6.5.7(D)(2)

<u>Trunk Group Size</u>	<u>Allowable Overflows Per Trunk Per Month</u>
1-4	10
5-6	8
7-125	6
126 or greater	5

CANCELLED

FEB 07 2002  
1st RP 257  
Public Service Commission  
MISSOURI

NOV 7 1992

MISSOURI PUBLIC SERVICE COMMISSION

ISSUED:  
September 17, 1992

BY: John L. Roe  
Vice President - Administration  
5454 West 110th Street  
Overland Park, Kansas 66211

EFFECTIVE:  
~~September 17, 1992~~  
NOV 7 1992

ACCESS SERVICE

6. Switched Access Service (Cont'd)

6.7 Rate Regulations (Cont'd)

6.7.11 Application of Rates for Extension Service (T)

Feature Group A Switched Access Service is available with extensions, i.e., additional terminations of the service at different building(s) in the same or a different exchange. Feature Group A extensions within the same exchange are charged for under the Telephone Company's local and/or general exchange service tariffs. Feature Group A extensions in different exchanges are charged for as Special Access Service. The rate elements which apply are: A Voice Grade Channel Termination Channel Mileage, if applicable and a Signaling Capability if applicable. All appropriate monthly rates and nonrecurring charges set forth in 7.5.3 following will apply. Such extensions are ordered as set forth in 5.2 preceding.

6.7.12 Message Unit Credit (T)

Calls from end users to the seven digit local telephone numbers associated with Feature Groups A Switched Access Service will not be charged, therefore, a message unit credit will not be applicable.

6.7.13 Local Information Delivery Services (T)

Calls over Switched Access in the terminating direction to certain community information services will be rated under the applicable rates for Switched Access Service as set forth in 6.8 following. In addition, the charges per call as specified under the Telephone Company's local and/or general exchange service tariffs, e.g., 976 (DIAL-IT) Network Services, will also apply.

ISSUED:  
May 1, 2012

Gary L. Kepley  
Director - Regulatory Operations  
5454 W. 110th Street  
Overland Park, Kansas 66211

EFFECTIVE:  
July 3, 2012

FILED  
Missouri Public  
Service Commission  
TT-2012-0317, YI-2012-0635

CANCELLED - Missouri Public Service Commission - 07/14/2023 - IN-2023-0447 - YI-2024-0001



SPRINT MISSOURI, INC.  
d/b/a SPRINT

first Revised Page 258  
Cancels Original Page 258

ACCESS SERVICE

Missouri Public  
Service Commission

REC'D FEB 09 2000

- 6. Switched Access Service (Cont'd)
- 6.7 Rate Regulations (Cont'd)

6.7.10 Application of Rates for Extension Service

Feature Group A Switched Access Service is available with extensions, i.e., additional terminations of the service at different building(s) in the same or a different exchange. Feature Group A extensions within the same exchange are charged for under the Telephone Company's local and/or general exchange service tariffs. Feature Group A extensions in different exchanges are charged for as Special Access Service. The rate elements which apply are: A Voice Grade Channel Termination Channel Mileage, (TI) if applicable and a Signaling Capability if applicable. All appropriate monthly rates and nonrecurring charges (C) set forth in 7.5.3 following will apply. Such extensions (C) are ordered as set forth in 5.2 preceding.

6.7.11 Message Unit Credit

Calls from end users to the seven digit local telephone numbers associated with Feature Groups A Switched Access Service will not be charged, therefore, a message unit credit will not be applicable.

6.7.12 Local Information Delivery Services

Calls over Switched Access in the terminating direction to certain community information services will be rated under the applicable rates for Switched Access Service as set forth in 6.8 following. In addition, the charges per call as specified under the Telephone Company's local and/or general exchange service tariffs, e.g., 976 (DIAL-IT) Network Services, will also apply.

Missouri Public  
Service Commission

FILED MAR 10 2000

ISSUED:  
February 9, 2000

Richard D. Lawson  
State Executive, External Affairs

EFFECTIVE:  
March 10, 2000

Cancelled  
April 30, 2007  
Missouri Public  
Service Commission

ACCESS SERVICE

RECEIVED

SEP 17 1992

6. Switched Access Service (Cont'd)

6.7 Rate Regulations (Cont'd)

MISSOURI PUBLIC SERVICE COMMISSION

6.7.10 Application of Rates for Extension Service

Feature Group A Switched Access Service is available with extensions, i.e., additional terminations of the service at different building(s) in the same or a different exchange. Feature Group A extensions within the same exchange are charged for under the Telephone Company's local and/or general exchange service tariffs. Feature Group A extensions in different exchanges are charged for as Special Access Service. The rate elements which apply are: A Voice Grade Service Termination Channel Mileage, if applicable and a Signaling Capability if applicable. All appropriate monthly rates and nonrecurring charges set forth in 7.5.3 following will apply. In addition, an Inside Wire Recovery Charge as set forth in 7.4.9 following may also be applicable. Such extensions are ordered as set forth in 5.2 preceding.

6.7.11 Message Unit Credit

Calls from end users to the seven digit local telephone numbers associated with Feature Groups A Switched Access Service will not be charged, therefore, a message unit credit will not be applicable.

6.7.12 Local Information Delivery Services

Calls over Switched Access in the terminating direction to certain community information services will be rated under the applicable rates for Switched Access Service as set forth in 6.8 following. In addition, the charges per call as specified under the Telephone Company's local and/or general exchange service tariffs, e.g., 976 (DIAL-IT) Network Services, will also apply.

**CANCELLED**

MAR 10 2000

By *1 STRP 258*  
Public Service Commission  
MISSOURI

RECEIVED

NOV 7 1992

MISSOURI PUBLIC SERVICE COMMISSION

ISSUED:  
September 17, 1992

BY: John L. Roe  
Vice President - Administration  
5454 West 110th Street  
Overland Park, Kansas 66211

EFFECTIVE:  
~~October 17, 1992~~  
NOV 7 1992

ACCESS SERVICE

6. Switched Access Service (Cont'd)

6.7 Rate Regulations (Cont'd)

6.7.14 Mileage Measurement (T)

The mileage to be used to determine the monthly rate for Local Transport of usage rated Feature Group A, B, C and D services is calculated based on the airline distance between the end office switch where the call carried by Local Transport originates or terminates and the customer's serving wire center, except as set forth in (A) through (E) following. The V&H coordinates method is used to determine mileage. This method is set forth in the National Exchange Carrier Association, Inc. Tariff for Wire Center Information (V&H coordinates (1)).

(D)  
|  
(D)  
  
(N)  
(N)

If the calculation results in a fraction of a mile, always round up to the next whole mile before applying the rates.

Exceptions to the mileage measurement rules are as follows:

- (A) When Switched Transport facilities of different capacities are interconnected by a multiplexer at a location other than the serving wire center, mileage is determined using the V&H coordinates method as set forth following:
  - (1) For intraLATA Local Exchange Carrier to Local Exchange Carrier Traffic, percentages of ownership will be determined by the V & H coordinates located in the Missouri intrastate IntraLATA Compensation Plan Database.
  - (2) When only one multiplexer is involved, mileage for Direct-Trunked Transport and Tandem-Switched Transport is measured separately from the serving wire center to the hub where multiplexing (i.e., facilities interconnection) occurs and then measured from the hub to the end office where the call is switched to originate or terminate.

(C)  
|  
(C)  
  
  
  
(N)  
|  
(N)

ISSUED:  
May 1, 2012

Gary L. Kepley  
Director - Regulatory Operations  
5454 W. 110th Street  
Overland Park, Kansas 66211

**FILED**  
**Missouri Public**  
**Service Commission**  
**TT-2012-0317, YI-2012-0635**

EFFECTIVE:  
July 3, 2012

CANCELLED - Missouri Public Service Commission - 07/14/2023 - IN-2023-0447 - YI-2024-0001

SPRINT MISSOURI, INC  
d/b/a SPRINT

Third Revised Page 259  
Cancels Second Revised Page 259

ACCESS SERVICE

Missouri Public

6. Switched Access Service (Cont'd)

REC'D JAN 15 2002

6.7 Rate Regulations (Cont'd)

Service Commission

6.7.13 Mileage Measurement

The mileage to be used to determine the monthly rate for Local Transport of usage rated Feature Group A, B, C and D services is calculated based on the airline distance between the end office switch where the call carried by Local Transport originates or terminates and the customer's serving wire center, except as set forth in (A) through (E) following. The V&H coordinates method is used to determine mileage. This method is set forth in the National Exchange Carrier Association, *Inc.* Tariff for Wire Center Information (V&H coordinates (1)).

(T)

Mileage is shown in 6.8.2 following in terms of mileage bands. To determine the rate to be billed, first compute the mileage using the V&H (1) coordinates method, then find the band into which the computed mileage falls and apply the rate shown for that band. If the calculation results in a fraction of a mile, always round up to the next whole mile before determining the mileage band and applying the rates.

Exceptions to the mileage measurement rules are as follows:

- (A) Mileage for access minutes in the originating direction over Feature Group A Switched Access Service will be calculated on an airline basis, using the V&H (1) coordinates method, between the end office switch where the Feature Group A switching dial tone is provided and the customer's serving wire center for the Switched Access Service provided.
- (1) For intraLATA Local Exchange Carrier to Local Exchange Carrier Traffic, percentages of ownership will be determined by the V & H coordinates located in the Missouri Intrastate IntraLATA Compensation Plan Database.

Missouri Public

FILED FEB 15 2002

Service Commission

ISSUED:  
January 15, 2002

Richard D. Lawson  
State Executive, External Affairs  
319 Madison  
Jefferson City, MO 65101

EFFECTIVE:  
February 15, 2002

Cancelled  
April 30, 2007  
Missouri Public  
Service Commission

SPRINT MISSOURI, INC  
d/b/a SPRINT

Second Revised Page 259  
Cancels First Revised Page 259

ACCESS SERVICE

Missouri Public  
Service Commission

6. Switched Access Service (Cont'd)

REC'D FEB 09 2000

6.7 Rate Regulations (Cont'd)

6.7.13 Mileage Measurement

The mileage to be used to determine the monthly rate for Local Transport of usage rated Feature Group A, B, C and D services is calculated based on the airline distance between the end office switch where the call carried by Local Transport originates or terminates and the customer's serving wire center, except as set forth in (A) through (E) following. The V&H coordinates method is used to determine mileage. This method is set forth in the National Exchange Carrier Association Tariff for Wire Center Information (V&H coordinates (1)). (T)

Mileage is shown in 6.8.2 following in terms of mileage bands. To determine the rate to be billed, first compute the mileage using the V&H (1) coordinates method, then find the band into which the computed mileage falls and apply the rate shown for that band. If the calculation results in a fraction of a mile, always round up to the next whole mile before determining the mileage band and applying the rates.

Exceptions to the mileage measurement rules are as follows:

(A) Mileage for access minutes in the originating direction over Feature Group A Switched Access Service will be calculated on an airline basis, using the V&H (1) coordinates method, between the end office switch where the Feature Group A switching dial tone is provided and the customer's serving wire center for the Switched Access Service provided.

(1) For intraLATA Local Exchange Carrier to Local Exchange Carrier Traffic, percentages of ownership will be determined by the V & H coordinates located in the Missouri Intrastate IntraLATA Compensation Plan Database. (T)

**CANCELLED**

FEB 15 2002

3<sup>rd</sup> RP 259  
Public Service Commission  
MISSOURI

Missouri Public  
Service Commission

FILED MAR 10 2000

ISSUED:  
February 9, 1999

Richard D. Lawson  
State Executive, External Affairs

EFFECTIVE:  
March 10, 2000

ACCESS SERVICE

6. Switched Access Service (Cont'd)

NOV 2 1993

6.7 Rate Regulations (Cont'd)

MO. PUBLIC SERVICE COMMISSION

6.7.13 Mileage Measurement

The mileage to be used to determine the monthly rate for Local Transport of usage rated Feature Group A, B, C and D services is calculated based on the airline distance between the end office switch where the call carried by Local Transport originates or terminates and the customer's serving wire center, except as set forth in (A) through (E) following. The V&H coordinates method is used to determine mileage. This method is set forth in the Exchange Carrier Association Tariff for Wire Center Information (V&H coordinates (1)).

Mileage is shown in 6.8.2 following in terms of mileage bands. To determine the rate to be billed, first compute the mileage using the V&H (1) coordinates method, then find the band into which the computed mileage falls and apply the rate shown for that band. If the calculation results in a fraction of a mile, always round up to the next whole mile before determining the mileage band and applying the rates.

Exceptions to the mileage measurement rules are as follows:

(A) Mileage for access minutes in the originating direction over Feature Group A Switched Access Service will be calculated on an airline basis, using the V&H (1) coordinates method, between the end office switch where the Feature Group A switching dial tone is provided and the customer's serving wire center for the Switched Access Service provided. (1)

(1) For intraLATA Local Exchange Carrier to Local Exchange Carrier Traffic, percentages of ownership will be determined by the V & H coordinates located in the Missouri PTC Plan IntraLATA Database.

**CANCELLED**

MAR 10 2000

By JNR RP 259  
Public Service Commission  
MISSOURI

**FILED**

NOV 7 1993  
93 - 181  
MO. PUBLIC SERVICE COMM.

ISSUED:  
November 3, 1993

BY: John L. Roe  
Vice President - Administration  
5454 West 110th Street  
Overland Park, Kansas 66211

EFFECTIVE:  
November 7, 1993

UNITED TELEPHONE COMPANY  
OF MISSOURI

Original Page 259

ACCESS SERVICE

SEP 17 1992

6. Switched Access Service (Cont'd)

6.7 Rate Regulations (Cont'd)

6.7.13 Mileage Measurement

The mileage to be used to determine the monthly rate for Local Transport of usage rated Feature Group A, B, C and D services is calculated based on the airline distance between the end office switch where the call carried by Local Transport originates or terminates and the customer's serving wire center, except as set forth in (A) through (E) following. The V&H coordinates method is used to determine mileage. This method is set forth in the Exchange Carrier Association Tariff for Wire Center Information (V&H coordinates (1)).

Mileage is shown in 6.8.2 following in terms of mileage bands. To determine the rate to be billed, first compute the mileage using the V&H (1) coordinates method, then find the band into which the computed mileage falls and apply the rate shown for that band. If the calculation results in a fraction of a mile, always round up to the next whole mile before determining the mileage band and applying the rates.

Exceptions to the mileage measurement rules are as follows:

- (A) Mileage for premium rated access minutes in the originating direction over Feature Group A Switched Access Service will be calculated on an airline basis, using the V&H (1) coordinates method, between the end office switch where the Feature Group A switching dial tone is provided and the customer's serving wire center for the Switched Access Service provided.
- (1) For intraLATA Local Exchange Carrier to Local Exchange Carrier Traffic, percentages of ownership will be determined by the V & H coordinates located in the Missouri PTC Plan IntraLATA Database.

**CANCELLED**

NOV 7 1992  
BY John L. Roe #259  
Public Service Commission  
MISSOURI

NOV 7 1992

ISSUED:  
September 17, 1992

BY: John L. Roe  
Vice President - Administration  
5454 West 110th Street  
Overland Park, Kansas 66211

EFFECTIVE:  
~~October 17, 1992~~  
NOV 7 1992

ACCESS SERVICE

6. Switched Access Service (Cont'd)

6.7 Rate Regulations (Cont'd)

6.7.14 Mileage Measurement (Cont'd)

(T)

(A) (Cont'd)

(N)

(3) When more than one multiplexer is involved, mileage for Direct-Trunked Transport and Tandem-Switched Transport is measured successively from the serving wire center to the first hub, from the first hub to the second hub, and then from the second hub to the end office where the call is switched to originate or terminate.

If more than two hubs are involved, mileage is measured successively between each intervening hub, with the final measurement being from the last hub to the end office where the call is switched to originate or terminate.

(N)

(B) When transport is provided to a host/remote arrangement, Tandem-Switched Transmission rates apply from the Host office to the associated RSMs/RSSs. Mileage for Tandem-Switched Transmission is calculated from the V&H coordinates of the Host office and the RSS/RSM where the call originates or terminates. Additional Tandem-Switched Transport or Direct-Trunked Transport rates apply depending on the transport service provided from the host/remote arrangement.

(C)

(C) When Switched Transport is provided to a Class 4/5 switch (i.e., a switch that functions as both an access tandem and end office) for both access tandem routing and end office routing, mileage is calculated using the V&H coordinates method.

Direct-Trunked Transport is measured from the serving wire center to the hub interconnecting the Tandem-Switched Transport and the Direct-Trunked Transport facilities and then measured from the hub to the end office.

Tandem-Switched Transmission is measured from the hub interconnecting the Tandem-Switched Transport and the Direct-Trunked Transport facilities to the end office where the call is switched to originate or terminate.

(C)

CANCELLED - Missouri Public Service Commission - 07/14/2023 - IN-2023-0447 - YI-2024-0001

ISSUED:  
May 1, 2012

Gary L. Kepley  
Director - Regulatory Operations  
5454 W. 110th Street  
Overland Park, Kansas 66211

FILED  
Missouri Public  
Service Commission

EFFECTIVE:  
July 3, 2012

TT-2012-0317, YI-2012-0635



ACCESS SERVICE

6. Switched Access Service (Cont'd)

NOV 8 1993

6.7 Rate Regulations (Cont'd)

6.7.13 Mileage Measurement (Cont'd)

(B) When a non AT&T customer's premises is within five miles of an AT&T Class 4 office, the Local Transport mileage for a call which is carried over Switched Access Service, originating or terminating through an end office switch, shall be the distance as would be determined from that end office switch to the serving wire center for that AT&T Class 4 office unless the customer specifies that for an entire exchange, it wants all measurements determined from its serving wire center. This designation (i.e., which serving wire center to use in calculating mileage) may be changed only once in any 12 month period. Such change will be made without charge(s) to the customer.

(T)

(C) When the Alternate Traffic Routing optional feature is provided with Feature Groups B, C and D to provide service from an end office to different customer premises locations, usage rated Local Transport access minutes will be apportioned between the two transmission routes used to provide this feature. For Feature Groups B and C, such apportionment will be made using standard Telephone Company traffic engineering methodology and will be based on the last trunk CCS desired for the high usage group, as described in 6.3.1(O) preceding, and the relative capacity ordered to the end office, when the feature is provided at an end office switch, or to the subtending end offices when the feature is provided at an access tandem switch. For Feature Group D, the apportionment will be based on the actual measured data which is recorded against the specific trunk group that carried a particular call. This apportionment will serve as the basis for the Local Transport mileage calculation. The customer will be billed accordingly. Notwithstanding the preceding apportionment regulations, Local Exchange Carriers participating in the Primary Carrier by Toll Center Plan who have traffic carried over alternate routes in overflow or emergency situations, will have that traffic rated and compensated for if the primary route was used.

FILED

NOV 7 1993  
93 - 181  
MO. PUBLIC SERVICE COM. & C.

ISSUED:  
November 3, 1993

BY: John L. Roe  
Vice President - Administration  
5454 West 110th Street  
Overland Park, Kansas 66211

EFFECTIVE:  
November 7, 1993

Cancelled

ACCESS SERVICE

RECEIVED

6. Switched Access Service (Cont'd)

SEP 17 1992

6.7 Rate Regulations (Cont'd)

REGULATORY SERVICE DIVISION

6.7.13 Mileage Measurement (Cont'd)

(B) When a non AT&T customer's premises is within five miles of an AT&T Class 4 office, the Local Transport mileage for a call which is carried over a premium rated Switched Access Service, originating or terminating through an end office switch, shall be the distance as would be determined from that end office switch to the serving wire center for that AT&T Class 4 office unless the customer specifies that for an entire exchange, it wants all measurements determined from its serving wire center. This designation (i.e., which serving wire center to use in calculating mileage) may be changed only once in any 12 month period. Such change will be made without charge(s) to the customer.

(C) When the Alternate Traffic Routing optional feature is provided with Feature Groups B, C and D to provide service from an end office to different customer premises locations, usage rated Local Transport access minutes will be apportioned between the two transmission routes used to provide this feature. For Feature Groups B and C, such apportionment will be made using standard Telephone Company traffic engineering methodology and will be based on the last trunk CCS desired for the high usage group, as described in 6.3.1(O) preceding, and the relative capacity ordered to the end office, when the feature is provided at an end office switch, or to the subtending end offices when the feature is provided at an access tandem switch. For Feature Group D, the apportionment will be based on the actual measured data which is recorded against the specific trunk group that carried a particular call. This apportionment will serve as the basis for the Local Transport mileage calculation. The customer will be billed accordingly. Notwithstanding the preceding apportionment regulations, Local Exchange Carriers participating in the Primary Carrier by Toll Center Plan who have traffic carried over alternate routes in overflow or emergency situations, will have that traffic rated and compensated for if the primary route was used.

**CANCELLED**

NOV 7 1992

BY: *Let R.S # 260*  
Public Service Commission  
L. MISSOURI

NOV 7 1992

ISSUED:  
September 17, 1992

Vice President - Administration  
5454 West 110th Street  
Overland Park, Kansas 66211

EFFECTIVE:  
~~October 17, 1992~~  
NOV 7 1992

ACCESS SERVICE

6. Switched Access Service (Cont'd)

6.7 Rate Regulations (Cont'd)

6.7.14 Mileage Measurement (Cont'd) (T)

(D) When Direct-Trunked Transport is provided for line side Switched Access services (i.e., FGA), both Direct-Trunked Transport and Tandem-Switched Transmission rates apply.

Direct-Trunked Transport applies to both originating and terminating usage, and mileage is calculated using the V&H coordinates of the customer's serving wire center and the end office switch where the dial tone for the line side Switched Access service is provided.

Tandem-Switched Transmission applies only to terminating usage, and mileage is calculated using the V&H coordinates of the dial tone office and the end office where the call is switched to terminate.

(E) Mileage for access minutes in the originating direction over Feature Group A Switched Access Service will be calculated on an airline basis, using the V&H coordinates method, between the end office switch where the Feature Group A switching dial tone is provided and the customer's serving wire center for the Switched Access Service provided. (C)

CANCELLED - Missouri Public Service Commission - 07/14/2023 - IN-2023-0447 - YI-2024-0001

ISSUED:  
May 1, 2012

Gary L. Kepley  
Director - Regulatory Operations  
5454 W. 110th Street  
Overland Park, Kansas 66211

FILED  
Missouri Public  
Service Commission  
TT-2012-0317, YI-2012-0635

EFFECTIVE:  
July 3, 2012

SPRINT MISSOURI, INC.  
d/b/a SPRINT

Second Revised Page 261  
Cancels First Revised Page 261

ACCESS SERVICE

Missouri Public

6. Switched Access Service (Cont'd)

REC'D JAN 07 2002

6.7 Rate Regulations (Cont'd)

Service Commission

6.7.13 Mileage Measurement (Cont'd)

(D) Local Transport mileage for access minutes originating from or terminating at a remote switching system or module (RSS or RSM) will be calculated on an airline mile basis between the customer's serving wire center and the end office switch that serves as the host office for the RSS or RSM.

(E) When terminating Feature Group C Switched Access Service is provided from multiple customer premises to an end office not equipped with measurement capabilities, the total Local Transport access minutes for that end office will be apportioned among the trunk groups accessing the end office on the **basis of** capacity ordered for **each FGC** trunk group. This apportionment will serve as the basis for Local Transport mileage calculation and the customer will be billed accordingly.

(C)  
(C)

Missouri Public

FILED FEB 07 2002

Service Commission

ISSUED:  
January 7, 2002

Richard D. Lawson  
State Executive, External Affairs  
319 Madison  
Jefferson City, MO 65101

EFFECTIVE:  
February 7, 2002

ACCESS SERVICE

6. Switched Access Service (Cont'd)

NOV 2 1993

6.7 Rate Regulations (Cont'd)

MO. PUBLIC SERVICE COMM.

6.7.13 Mileage Measurement (Cont'd)

(D) Local Transport mileage for access minutes originating from or terminating at a remote switching system or module (RSS or RSM) will be calculated on an airline mile basis between the customer's serving wire center and the end office switch that serves as the host office for the RSS or RSM. (T)

(E) When terminating Feature Group C Switched Access Service is provided from multiple customer premises to an end office not equipped with measurement capabilities, the total Local Transport access minutes for that end office will be apportioned among the trunk groups accessing the end office on the basis of the individual busy hour minutes of capacity ordered for each of those trunk groups. This apportionment will serve as the basis for Local Transport mileage calculation and the customer will be billed accordingly.

CANCELLED

FEB 07 2002  
2nd RP 261  
Public Service Commission  
MISSOURI

FILED

NOV 7 1993  
93 1 8 1  
MO. PUBLIC SERVICE COMM.

ISSUED:  
November 3, 1993

BY: John L. Roe  
Vice President - Administration  
5454 West 110th Street  
Overland Park, Kansas 66211

EFFECTIVE:  
November 7, 1993

ACCESS SERVICE

SEP 17 1992

6. Switched Access Service (Cont'd)

6.7 Rate Regulations (Cont'd)

6.7.13 Mileage Measurement (Cont'd)

(D) Local Transport mileage for premium rated access minutes originating from or terminating at a remote switching system or module (RSS or RSM) will be calculated on an airline mile basis between the customer's serving wire center and the end office switch that serves as the host office for the RSS or RSM.

(E) When terminating Feature Group C Switched Access Service is provided from multiple customer premises to an end office not equipped with measurement capabilities, the total Local Transport access minutes for that end office will be apportioned among the trunk groups accessing the end office on the basis of the individual busy hour minutes of capacity ordered for each of those trunk groups. This apportionment will serve as the basis for Local Transport mileage calculation and the customer will be billed accordingly.

**CANCELLED**

NOV 7 1992  
BY *John L. Roe*  
Public Service Commission  
MISSOURI

11 30

NOV 7 1992

1. )•• ..

ISSUED:  
September 17, 1992

BY: John L. Roe  
Vice President - Administration  
5454 West 110th Street  
Overland Park, Kansas 66211

EFFECTIVE:  
~~October 17, 1992~~  
NOV 7 1992

ACCESS SERVICE

6. Switched Access Service (Cont'd)

6.7 Rate Regulations (Cont'd)

6.7.14 Mileage Measurement (Cont'd) (T)

(F) When trunks are rerouted from an end office to an access tandem as set forth in 6.7.1(C)(3) preceding, the Switched Transport mileage will be calculated on the airline distance between the end office and the serving wire center of the customer's POP associated with that access tandem. (C)

(G) When the Alternate Traffic Routing optional feature is provided with Feature Groups B, C and D to provide service from an end office to different customer premises locations, Switched Transport access minutes will be apportioned between the two transmission routes used to provide this feature. For Feature Groups B and C, such apportionment will be made using standard Telephone Company traffic engineering methodology and will be based on the last trunk CCS desired for the high usage group, as described in 6.3(O) preceding, and the relative capacity ordered to the end office, when the feature is provided at an end office switch, or to the subtending end offices when the feature is provided at an access tandem switch. For Feature Group D, the apportionment will be based on the actual measured data which is recorded against the specific trunk group that carried a particular call. This apportionment will serve as the basis for the Switched Transport mileage calculation. The customer will be billed accordingly. (C)

(H) Switched Transport mileage for access minutes originating from or terminating at a remote switching system (RSS) or remote switching module (RSM) that shares an NXX with its host office will be based on the airline miles between the customer's serving wire center and the host office. Switched Transport mileage for access minutes originating from or terminating at an RSS or RSM that has its own NXX (i.e., different from the host's NXX) will be based on the airline miles between the customer's serving wire center and the RSS or RSM. (N)

(M)

(M)

(M) Material omitted from this page now appears on Pages 262.1 and 262.2.

ISSUED:  
May 1, 2012

Gary L. Kepley  
Director - Regulatory Operations  
5454 W. 110th Street  
Overland Park, Kansas 66211

FILED  
Missouri Public  
Service Commission  
TT-2012-0317, YI-2012-0635

EFFECTIVE:  
July 3, 2012

CANCELLED - Missouri Public Service Commission - 07/14/2023 - IN-2023-0447 - YI-2024-0001

SPRINT MISSOURI, INC.  
d/b/a SPRINT

Third Revised Page 262  
Cancels Second Revised Page 262

Missouri Public

ACCESS SERVICE

6. Switched Access Service (Cont'd)

REC'D JAN 07 2002

6.7 Rate Regulations (Cont'd)

Service Commission

6.7.13 Mileage Measurement (Cont'd)

(F) When FGA calls terminate within the local calling area of the dial tone office, the Local Transport mileage will be calculated on an airline basis between the customer's serving wire center and the end office where the call terminates.

(G) Switched transport mileage for Interim 500, TFC and 900 Access Service is based on the airline distance between the end office switch where the Interim 500, TFC or 900 Access Service traffic originates and the customer's serving wire center.

6.7.14 Shared Use

Shared use occurs when Switched Access Service and Special Access Service are provided over the same analog or digital high capacity facility through a common interface. The regulations governing the provision of Shared Use Facilities are set forth in 7.4.8 following. Switched Access rates and charges as set forth in 6.8 following will apply for each channel of the high capacity facility that is used to provide Switched Access Service.

6.7.15 Reserved For Future Use

(C)  
(D)  
|  
(D)

6.7.16 Interim 500 or 900 NXX in Multi-State LATAs

For customers ordering LATA-wide Interim 500 Access Service or 900 Access Service in LATAs that cross state boundaries but are served by the same screening office, the applicable nonrecurring charge for that screening office, as set forth in 6.8.5 and 6.8.7 following, will not be billed twice (i.e., once for each state); they will only be billed once for each NXX code activated or deactivated in that screening office.

Missouri Public

FILED FEB 07 2002

Service Commission

ISSUED:  
January 7, 2002

Richard D. Lawson  
State Executive, External Affairs  
319 Madison  
Jefferson City, MO 65101

EFFECTIVE:  
February 7, 2002



**RECEIVED**

ACCESS SERVICE

MAR 27 1996

6. Switched Access Service (Cont'd)

6.7 Rate Regulations (Cont'd)

**MISSOURI  
Public Service Commission**

6.7.13 Mileage Measurement (Cont'd)

(F) When FGA calls terminate within the local calling area of the dial tone office, the Local Transport mileage will be calculated on an airline basis between the customer's serving wire center and the end office where the call terminates.

(G) Switched transport mileage for Interim 500, TFC and 900 Access Service is based on the airline distance between the end office switch where the Interim 500, TFC or 900 Access Service traffic originates and the customer's serving wire center. (T)

6.7.14 Shared Use

Shared use occurs when Switched Access Service and Special Access Service are provided over the same analog or digital high capacity facility through a common interface. The regulations governing the provision of Shared Use Facilities are set forth in 7.4.8 following. Switched Access rates and charges as set forth in 6.8 following will apply for each channel of the high capacity facility that is used to provide Switched Access Service.

6.7.15 Information Surcharge

The Information Surcharge is a charge to recover costs that have been assigned to the intrastate Information category through Parts 67 and 69 of the Commission's Rules. These costs are other than those incurred in the provision of intrastate Directory Assistance Service as set forth in 9. following.

The Information Surcharge is assessed to the customer based on the total number of access minutes, lines or trunks. The rates are set forth in 6.8.6 following. The application of these rates with respect to the individual Feature Groups is as set forth in 6.7.1(D) preceding.

6.7.16 Interim 500 or 900 NXX in Multi-State LATAs

For customers ordering LATA-wide Interim 500 Access Service or 900 Access Service in LATAs that cross state boundaries but are served by the same screening office, the applicable nonrecurring charge for that screening office, as set forth in 6.8.5 and 6.8.7 following, will not be billed twice (i.e., once for each state); the charge will only be billed once for each NXX code activated or deactivated in that screening office. **FILED**

APR 29 1996

**MO. PUBLIC SERVICE COMM**

**CANCELLED**

FEB 07 2002

1 310 RP262  
**Public Service Commission  
MISSOURI**

ISSUED:  
March 27, 1996

BY: John L. Roe  
Vice President - Carrier and Regulatory Services  
5454 West 110th Street  
Overland Park, Kansas 66211

EFFECTIVE:  
April 29, 1996

**RECEIVED**

ACCESS SERVICE

~~JAN~~ 11 1995

6. Switched Access Service (Cont'd)

6.7 Rate Regulations (Cont'd)

MO. PUBLIC SERVICE COMM.

6.7.13 Mileage Measurement (Cont'd)

(F) When FGA calls terminate within the local calling area of the dial tone office, the Local Transport mileage will be calculated on an airline basis between the customer's serving wire center and the end office where the call terminates.

(G) Switched transport mileage for Interim 500, 800 and 900 Access Service is based on the airline distance between the end office switch where the Interim 500, 800 or 900 Access Service traffic originates and the customer's serving wire center.

(N)  
|  
(N)

6.7.14 Shared Use

Shared use occurs when Switched Access Service and Special Access Service are provided over the same analog or digital high capacity facility through a common interface. The regulations governing the provision of Shared Use Facilities are set forth in 7.4.8 following. Access rates and charges as set forth in 6.8 following will apply for each channel of the high capacity facility that is used to provide Switched Access Service.

**CANCELLED**

6.7.15 Information Surcharge

The Information Surcharge is a charge to recover costs that have been assigned to the intrastate Information Service category through Parts 67 and 69 of the Commission's Rules. These costs are other than those incurred in the provision of intrastate Directory Assistance Service as set forth in 9. following.

APR 29 1996

BY: *2nd R.S. # 262*  
Public Service Commission  
MISSOURI

The Information Surcharge is assessed to the customer based on the total number of access minutes, lines or trunks. The rates are set forth in 6.8.6 following. The application of these rates with respect to the individual Feature Groups is as set forth in 6.7.1(D) preceding.

6.7.16 Interim 500 or 900 NXX in Multi-State LATAs

For customers ordering LATA-wide Interim 500 Access Service or 900 Access Service in LATAs that cross state boundaries but are served by the same screening office, the applicable nonrecurring charge for that screening office, as set forth in 6.8.5 and 6.8.7 following, will not be billed twice (i.e., once for each state); they will only be billed once for each NXX code activated or deactivated in that screening office.

(N)  
|  
(N)

**FILED**

FEB 11 1995

MISSOURI  
Public Service Commission  
EFFECTIVE:

ISSUE DATE:  
January 11, 1995

BY: John L. Roe  
Vice President - Carrier and Regulatory Services  
5454 West 110th Street  
Overland Park, Kansas 66211

February 11, 1995

UNITED TELEPHONE COMPANY  
OF MISSOURI

Original Page 262

ACCESS SERVICE

RECEIVED

SEP 17 1992

6. Switched Access Service (Cont'd)

MISSOURI PUBLIC SERVICE COMMISSION

6.7 Rate Regulations (Cont'd)

6.7.13 Mileage Measurement (Cont'd)

(F) When FGA calls terminate within the local calling area of the dial tone office, the Local Transport mileage will be calculated on an airline basis between the customer's serving wire center and the end office where the call terminates.

6.7.14 Shared Use

Shared use occurs when Switched Access Service and Special Access Service are provided over the same analog or digital high capacity facility through a common interface. The regulations governing the provision of Shared Use Facilities are set forth in 7.4.8 following. Switched Access rates and charges as set forth in 6.8 following will apply for each channel of the high capacity facility that is used to provide Switched Access Service.

6.7.15 Information Surcharge

The Information Surcharge is a charge to recover costs that have been assigned to the intrastate Information category through Parts 67 and 69 of the Commission's Rules. These costs are other than those incurred in the provision of intrastate Directory Assistance Service as set forth in 9. following.

The Information Surcharge is assessed to the customer based on the total number of access minutes, lines or trunks. The rates are set forth in 6.8.6 following. The application of these rates with respect to the individual Feature Groups is as set forth in 6.7.1(D) preceding.

CANCELLED

FEB 11 1995  
BY *John R.S. #262*  
Public Service Commission  
MISSOURI

RECEIVED

NOV 7 1992

MISSOURI PUBLIC SERVICE COMMISSION

ISSUED:  
September 17, 1992

BY: John L. Roe  
Vice President - Administration  
5454 West 110th Street  
Overland Park, Kansas 66211

EFFECTIVE:  
~~September 17, 1992~~  
NOV 7 1992

ACCESS SERVICE

6. Switched Access Service (Cont'd)

6.7 Rate Regulations (Cont'd)

6.7.14 Mileage Measurement (Cont'd)

- (I) When terminating Feature Group C Switched Access Service is provided from multiple customer premises to an end office not equipped with measurement capabilities, the total Switched Transport access minutes for that end office will be apportioned among the trunk groups accessing the end office on the basis of the capacity ordered for each FGC group. This apportionment will serve as the basis for Switched Transport mileage calculation and the customer will be billed accordingly.
- (J) When FGA calls terminate within the local calling area of the dial tone office, the Switched Transport mileage will be calculated on an airline basis between the customer's serving wire center and the dial tone office.
- (K) Switched transport mileage for Interim 500, TFC and 900 Access Service is based on the airline distance between the end office switch where the Interim 500, TFC or 900 Access Service traffic originates and the customer's serving wire center.
- (L) Where Feature Groups A, B, C, and D Switched Access Services are connected with Special Access Service at a WATS Serving Office, the Telephone Company will measure mileage on an airline mileage basis between:
  - (1) The WATS Serving Office and the Serving Wire Center for the customer designated premises, or
  - (2) The Feature Group A or B entry switch and the Serving Wire Center for the customer designated premises.

6.7.15 Shared Use

Shared use occurs when Switched Access Service and Special Access Service are provided over the same analog or digital high capacity facility through a common interface. The regulations governing the provision of Shared Use Facilities are set forth in 7.4.8 following. Switched Access rates and charges as set forth in 6.8 following will apply for each channel of the high capacity facility that is used to provide Switched Access Service.

(M) This material previously appeared on Page 262 as 6.7.14.

ISSUED:  
May 1, 2012

Gary L. Kepley  
Director - Regulatory Operations  
5454 W. 110th Street  
Overland Park, Kansas 66211

EFFECTIVE:  
July 3, 2012

FILED  
Missouri Public  
Service Commission  
TT-2012-0317, YI-2012-0635

CANCELLED - Missouri Public Service Commission - 07/14/2023 - IN-2023-0447 - YI-2024-0001

(N)

(N)

(M) (T)

(M)

ACCESS SERVICE

6. Switched Access Service (Cont'd)

6.7 Rate Regulations (Cont'd)

6.7.16 Toll Free Code (TFC), Interim 500 or 900 NXX in Multi-State LATAs

For customers ordering LATA-wide TFC, Interim 500 or 900 NXX Access Service in LATAs that cross-state boundaries but are served by the same screening office, the applicable nonrecurring charge for that screening office, as set forth in 6.8.4, 6.8.5 and 6.8.7 following, will not be billed twice (i.e., once for each state); they will only be billed once for each NXX code activated or deactivated in that screening office.

(M) (C)

(M) (C)

6.7.17 Facility Hubs

A customer has the option of ordering DS1 or DS3 facilities to a facility Hub for channelizing to individual services requiring lower capacity facilities.

(N)

Different locations may be designated as Hubs for different facility capacities, e.g., multiplexing from digital to digital may occur at one location while multiplexing from digital to voice may occur at a different location. When ordering, the customer must specify the desired multiplexing Hub(s) selected from the National Exchange Carrier Association, Inc. Tariff F.C.C. No. 4. This tariff identifies the type(s) of multiplexing functions which are available and the wire centers at which they are available.

Some of the types of multiplexing available include the following:

- from higher to lower bit rate
- from digital to voice frequency channels

End to end services may be provided on channels of these facilities to a Hub. The transmission performance for the end to end service provided between customer designated premises will be that of the lower capacity or bit rate. For example, when a DS1 facility is multiplexed to voice frequency channels, the transmission performance of the channelized services will be Voice Grade, not DS1.

The Telephone company will commence billing the monthly rate for the facility to the Hub on the date specified by the customer on the service order. Individual services utilizing these facilities may be installed coincident with the installation of the facility to the Hub, or may be ordered and/or installed at a later date, at the option of the customer. The customer will be billed for a DS1 or DS3 channel termination, channel mileage (when applicable), and multiplexing at the time the facility is installed. Individual service rates (by service type) will apply for a channel termination and additional channel mileage (as required) for each channelized service. These will be billed to the customer as each individual service is installed.

(N)

(M) This material previously appeared on Page 262.

ISSUED:  
May 1, 2012

Gary L. Kepley  
Director - Regulatory Operations  
5454 W. 110th Street  
Overland Park, Kansas 66211

FILED  
Missouri Public  
Service Commission  
TT-2012-0317, YI-2012-0635

EFFECTIVE:  
July 3, 2012

CANCELLED - Missouri Public Service Commission - 07/14/2023 - IN-2023-0447 - YI-2024-0001

ACCESS SERVICE

(N)

6. Switched Access Service (Cont'd)

6.7 Rate Regulations (Cont'd)

6.7.17 Facility Hubs (Cont'd)

Cascading multiplexing occurs when a DS1 or DS3 facility is de-multiplexed to provide channels with a lesser capacity and one of the lesser capacity channels is further de-multiplexed. For example, a DS3 facility is de-multiplexed to twenty-eight DS1 facilities, and then one of the DS1 facilities is further de-multiplexed to individual Voice Grade channels.

When cascading multiplexing is performed, whether in the same or a different Hub, a charge for the additional multiplexing unit also applies. When cascading multiplexing is performed at different Hubbing locations, channel mileage charges also apply between the Hubs.

6.7.18 Switched Access Zone Density Plan

The Switched Access Zone Density Plan is applicable only to DS1, DS3 and OptiPoint Entrance Facilities, Direct-Trunked Transport, Tandem Switched Transmission, Tandem Switching, DS1 to Voice Multiplexing and DS3 to DS1 Multiplexing as set forth in Section 6.1.3 preceding.

The Entrance Facility, Direct-Trunked Transport, Tandem Switched Transmission, Tandem Switching, DS1 to Voice Multiplexing and DS3 to DS1 Multiplexing rates applicable for DS1 and DS3 services subject to the Zone Density Plan are dependent upon the zone in which the Telephone Company serving area is located. Direct-Trunked Transport and Tandem Switched Transmission provided between wire centers in different zones will be assessed the rate for the higher zone. Specific Zone Density Charges are set forth in Sections 6.8 following. The zones for the Telephone Company serving area are identified following:

(N)

CANCELLED - Missouri Public Service Commission - 07/14/2023 - IN-2023-0447 - YI-2024-0001

ISSUED:  
May 1, 2012

Gary L. Kepley  
Director - Regulatory Operations  
5454 W. 110th Street  
Overland Park, Kansas 66211

EFFECTIVE:  
July 3, 2012

FILED  
Missouri Public  
Service Commission  
TT-2012-0317, YI-2012-0635

ACCESS SERVICE

(N)

6. Switched Access Service (Cont'd)

6.7 Rate Regulations (Cont'd)

6.7.18 Switched Access Zone Density Plan (Cont'd)

<u>Zone 1</u>		<u>Zone 2</u>	
<u>End Office</u>	<u>CLLI</u>	<u>End Office</u>	<u>CLLI</u>
Jefferson City	JFCYMOXA	Ft. Leonard Wood	FTLWMOXA
		Lebanon	LBNNMOXA
		Newburg	NWBGMOXA
		Richland	RCLDMOXA
		Rolla	ROLLMOXA
		Salem	SALMMOXA
		St. Robert	STRBMOXA
		Warrensburg	WRBGMOXA
		Waynesville	WYVLMOXA
<u>Zone 3</u>		<u>Zone 4</u>	
<u>End Office</u>	<u>CLLI</u>	<u>End Office</u>	<u>CLLI</u>
None	None	All Other	All Other

(N)

CANCELLED - Missouri Public Service Commission - 07/14/2023 - IN-2023-0447 - YI-2024-0001

ISSUED:  
May 1, 2012

Gary L. Kepley  
Director - Regulatory Operations  
5454 W. 110th Street  
Overland Park, Kansas 66211

**FILED**  
**Missouri Public**  
**Service Commission**  
**TT-2012-0317, YI-2012-0635**

EFFECTIVE:  
July 3, 2012

ACCESS SERVICE

6. Switched Access Service (Cont'd)

6.8 Rates and Charges (Cont'd)

6.8.1 Optical Service Charge

	<u>OC3</u>	<u>OC12</u>	<u>OC48</u>	
Nonrecurring Charge	\$7,500.00	\$8,500.00	\$12,500.00	

(C)

(C)

(M)

(M)

CANCELLED - Missouri Public Service Commission - 07/14/2023 - IN-2023-0447 - YI-2024-0001

(M) Material omitted from this page now appears on Page 263.1

ISSUED:  
May 1, 2012

Gary L. Kepley  
Director - Regulatory Operations  
5454 W. 110th Street  
Overland Park, Kansas 66211

**FILED**  
**Missouri Public**  
**Service Commission**  
**TT-2012-0317, YI-2012-0635**

EFFECTIVE:  
July 3, 2012



ACCESS SERVICE

FILED

6. Switched Access Service (Cont'd)

NOV 2 1993

6.8 Rates and Charges (Cont'd)

MO. PUBLIC SERVICE COM.

6.8.1 Reserved For Future Use

6.8.2 Local Transport

(A)	<u>Call Miles</u>	<u>Rate</u> <u>Per Access Minute</u>
	0-4	\$.0050
	Over 4-8	\$.0120
	Over 8-16	\$.0150
	Over 16-25	\$.0180
	Over 25-50	\$.0225
	Over 50-100	\$.0308
	Over 100-200	\$.0335
	Over 200	ICB

(T)

FILED

NOV 7 1993  
93 - 181  
MO. PUBLIC SERVICE COM.

ISSUED:  
November 3, 1993

BY: John L. Roe  
Vice President - Administration  
5454 West 110th Street  
Overland Park, Kansas 66211

EFFECTIVE:  
November 7, 1993

UNITED TELEPHONE COMPANY  
OF MISSOURI

Original Page 263

ACCESS SERVICE

6. Switched Access Service (Cont'd)

6.8 Rates and Charges (Cont'd)

6.8.1 Reserved For Future Use

6.8.2 Local Transport

(A)	<u>Call Miles</u>	<u>Premium Rate Per Access Minute</u>
	0-4	\$.0050
	Over 4-8	\$.0120
	Over 8-16	\$.0150
	Over 16-25	\$.0180
	Over 25-50	\$.0225
	Over 50-100	\$.0308
	Over 100-200	\$.0335
	Over 200	ICB

RECORDED

SEP 17 1992

MISSOURI PUBLIC SERVICE COMMISSION

**CANCELLED**

NOV 7 1993  
BY John R. S. #263  
Public Service Commission  
MISSOURI

RECORDED

NOV 7 1992

MISSOURI PUBLIC SERVICE COMMISSION

ISSUED:  
September 17, 1992

BY: John L. Roe  
Vice President - Administration  
5454 West 110th Street  
Overland Park, Kansas 66211

EFFECTIVE:  
~~October 1, 1992~~  
NOV 7 1992

ACCESS SERVICE

6. Switched Access Service (Cont'd)

6.8 Rates and Charges (Cont'd)

6.8.2 Switched Transport

(A) Entrance Facilities

(1) Voice Grade  
- Per Point of Termination

	<u>Monthly Rates</u>	<u>Nonrecurring Charge</u>
- Two Wire	\$50.00	\$200.00
- Four Wire	\$84.00	\$200.00

(2) DS1  
- Per DS1

	<u>Monthly Rates</u>			<u>Nonrecurring Charge</u>
	<u>Within CO</u>	<u>0-3 Miles</u>	<u>Over 3 Miles</u>	
Zone 1	\$88.35	\$88.35	\$88.35	\$340.00
Zone 2	\$92.77	\$92.77	\$92.77	\$340.00
Zone 3	\$98.33	\$98.33	\$98.33	\$340.00
Zone 4	\$106.20	\$106.20	\$106.20	\$340.00

(3) DS3  
- Per DS3

	<u>Monthly Rates</u>			<u>Nonrecurring Installation Charge</u>	<u>Nonrecurring Rearrangement Charge</u>
	<u>Within CO</u>	<u>0-3 Miles</u>	<u>Over 3 Miles</u>		
Zone 1	\$628.62	\$853.10	\$1,347.01	\$400.00	\$200.00
Zone 2	\$686.00	\$930.00	\$1,468.00	\$400.00	\$200.00
Zone 3	\$741.00	\$1,004.00	\$1,585.00	\$400.00	\$200.00
Zone 4	\$785.00	\$1,064.00	\$1,680.00	\$400.00	\$200.00

(N)

(N)

(M) (C)

(M) (C)

(N)

(N)

(M) This material previously appeared on Page 263.

ISSUED:  
May 1, 2012

Gary L. Kepley  
Director - Regulatory Operations  
5454 W. 110th Street  
Overland Park, Kansas 66211

**FILED**  
**Missouri Public Service Commission**

EFFECTIVE:  
July 3, 2012  
TT-2012-0317, YI-2012-0635

CANCELLED - Missouri Public Service Commission - 07/14/2023 - IN-2023-0447 - YI-2024-0001

ACCESS SERVICE

(N)

6. Switched Access Service (Cont'd)

6.8 Rates and Charges (Cont'd)

6.8.2 Switched Transport

(A) Entrance Facilities (Cont'd)

(4) OptiPoint-3 with Telephone Company Provided Terminal Equipment

	Monthly Rates			Nonrecurring Charge
	Within CO	0-3 Miles	Over 3 Miles	
(a) 1 Year Commitment Rates - Per Point of Termination				
Zone 1	\$1,841.00	\$2,702.00	\$4,038.00	\$5,380.00
Zone 2	\$2,006.00	\$2,945.00	\$4,401.00	\$5,380.00
Zone 3	\$2,097.00	\$3,077.00	\$4,599.00	\$5,380.00
Zone 4	\$2,201.00	\$3,231.00	\$4,829.00	\$5,380.00
(b) 3 Year Commitment Rates - Per Point of Termination				
Zone 1	\$1,472.50	\$2,161.30	\$3,230.00	
Zone 2	\$1,605.00	\$2,355.80	\$3,520.70	
Zone 3	\$1,677.20	\$2,461.80	\$3,679.10	
Zone 4	\$1,761.10	\$2,584.90	\$3,863.10	
(c) 5 Year Commitment Rates - Per Point of Termination				
Zone 1	\$1,330.00	\$1,947.50	\$2,911.80	
Zone 2	\$1,449.70	\$2,122.80	\$3,173.90	
Zone 3	\$1,514.90	\$2,218.30	\$3,316.70	
Zone 4	\$1,590.60	\$2,329.20	\$3,482.50	
(d) Month-to-Month Rates				
Zone 1	\$ 360.00	\$2,980.00	\$4,450.00	\$5,380.00
Zone 2	\$ 360.00	\$3,240.00	\$4,850.00	\$5,380.00
Zone 3	\$ 370.00	\$3,390.00	\$5,060.00	\$5,380.00
Zone 4	\$ 370.00	\$3,560.00	\$5,320.00	\$5,380.00

(N)

ISSUED:  
May 1, 2012

Gary L. Kepley  
Director - Regulatory Operations  
5454 W. 110th Street  
Overland Park, Kansas 66211

FILED  
Missouri Public  
Service Commission

EFFECTIVE:  
July 3, 2012

TT-2012-0317, YI-2012-0635

CANCELLED - Missouri Public Service Commission - 07/14/2023 - IN-2023-0447 - YI-2024-0001

ACCESS SERVICE

(N)

6. Switched Access Service (Cont'd)

6.8 Rates and Charges (Cont'd)

6.8.2 Switched Transport

(A) Entrance Facilities (Cont'd)

(5) OptiPoint-3 without Telephone Company Provided Terminal Equipment

	Monthly Rates			Nonrecurring Charge
	Within CO	0-3 Miles	Over 3 Miles	
(a) 1 Year Commitment Rates - Per Point of Termination				
Zone 1	\$1,093.00	\$1,971.00	\$3,307.00	\$4,140.00
Zone 2	\$1,191.00	\$2,149.00	\$3,605.00	\$4,140.00
Zone 3	\$1,245.00	\$2,245.00	\$3,767.00	\$4,140.00
Zone 4	\$1,307.00	\$2,358.00	\$3,956.00	\$4,140.00
(b) 3 Year Commitment Rates - Per Point of Termination				
Zone 1	\$ 874.00	\$1,577.00	\$2,645.80	
Zone 2	\$ 952.70	\$1,718.90	\$2,883.90	
Zone 3	\$ 995.60	\$1,796.30	\$3,013.70	
Zone 4	\$1,045.40	\$1,886.10	\$3,164.40	
(c) 5 Year Commitment Rates - Per Point of Termination				
Zone 1	\$ 788.50	\$1,420.30	\$2,389.30	
Zone 2	\$ 859.50	\$1,548.10	\$2,604.30	
Zone 3	\$ 898.20	\$1,617.80	\$2,721.50	
Zone 4	\$ 943.10	\$1,698.70	\$2,857.60	
(d) Month-to-Month Rates				
Zone 1	\$ 350.00	\$2,150.00	\$3,600.00	\$4,140.00
Zone 2	\$ 355.00	\$2,340.00	\$3,920.00	\$4,140.00
Zone 3	\$ 360.00	\$2,450.00	\$4,100.00	\$4,140.00
Zone 4	\$ 365.00	\$2,570.00	\$4,300.00	\$4,140.00

(N)

CANCELLED - Missouri Public Service Commission - 07/14/2023 - IN-2023-0447 - YI-2024-0001

ISSUED:  
May 1, 2012

Gary L. Kepley  
Director - Regulatory Operations  
5454 W. 110th Street  
Overland Park, Kansas 66211

FILED  
Missouri Public  
Service Commission

EFFECTIVE:  
July 3, 2012

TT-2012-0317, YI-2012-0635

ACCESS SERVICE

(N)

6. Switched Access Service (Cont'd)

6.8 Rates and Charges (Cont'd)

6.8.2 Switched Transport

(A) Entrance Facilities (Cont'd)

(6) OptiPoint-12 with Telephone Company Provided Terminal Equipment

	<u>Monthly Rates</u>			<u>Nonrecurring Charge</u>
	<u>Within CO</u>	<u>0-3 Miles</u>	<u>Over 3 Miles</u>	
(a) 1 Year Commitment Rates - Per Point of Termination				
Zone 1	\$2,375.00	\$3,028.00	\$5,284.00	\$13,250.00
Zone 2	\$2,589.00	\$3,301.00	\$5,760.00	\$13,250.00
Zone 3	\$2,705.00	\$3,449.00	\$6,019.00	\$13,250.00
Zone 4	\$2,841.00	\$3,622.00	\$6,320.00	\$13,250.00
(b) 3 Year Commitment Rates - Per Point of Termination				
Zone 1	\$1,900.00	\$2,422.50	\$4,227.50	
Zone 2	\$2,071.00	\$2,640.50	\$4,608.00	
Zone 3	\$2,164.20	\$2,759.30	\$4,815.40	
Zone 4	\$2,272.40	\$2,897.30	\$5,056.20	
(c) 5 Year Commitment Rates - Per Point of Termination				
Zone 1	\$1,710.00	\$2,185.00	\$3,800.00	
Zone 2	\$1,863.90	\$2,381.70	\$4,142.00	
Zone 3	\$1,947.80	\$2,488.90	\$4,328.40	
Zone 4	\$2,045.20	\$2,613.30	\$4,544.80	
(d) Month-to-Month Rates				
Zone 1	\$ 750.00	\$3,340.00	\$5,820.00	\$13,250.00
Zone 2	\$ 760.00	\$3,640.00	\$6,340.00	\$13,250.00
Zone 3	\$ 760.00	\$3,800.00	\$8,060.00	\$13,250.00
Zone 4	\$ 770.00	\$3,990.00	\$8,460.00	\$13,250.00

(N)

CANCELLED - Missouri Public Service Commission - 07/14/2023 - IN-2023-0447 - YI-2024-0001

ISSUED:  
May 1, 2012

Gary L. Kepley  
Director - Regulatory Operations  
5454 W. 110th Street  
Overland Park, Kansas 66211

**FILED**  
**Missouri Public**  
**Service Commission**

EFFECTIVE:  
July 3, 2012

TT-2012-0317, YI-2012-0635

ACCESS SERVICE

(N)

6. Switched Access Service (Cont'd)

6.8 Rates and Charges (Cont'd)

6.8.2 Switched Transport

(A) Entrance Facilities (Cont'd)

(7) OptiPoint-12 without Telephone Company Provided Terminal Equipment

	Monthly Rates			Nonrecurring Charge
	Within CO	0-3 Miles	Over 3 Miles	
(a) 1 Year Commitment Rates - Per Point of Termination				
Zone 1	\$1,366.00	\$2,132.00	\$4,198.00	\$11,070.00
Zone 2	\$1,489.00	\$2,324.00	\$4,576.00	\$11,070.00
Zone 3	\$1,556.00	\$2,428.00	\$4,782.00	\$11,070.00
Zone 4	\$1,633.00	\$2,549.00	\$5,021.00	\$11,070.00
(b) 3 Year Commitment Rates - Per Point of Termination				
Zone 1	\$1,092.50	\$1,705.30	\$3,358.30	
Zone 2	\$1,190.80	\$1,858.80	\$3,660.50	
Zone 3	\$1,244.40	\$1,942.40	\$3,825.20	
Zone 4	\$1,306.60	\$2,039.50	\$4,016.50	
(c) 5 Year Commitment Rates - Per Point of Termination				
Zone 1	\$ 983.30	\$1,534.30	\$3,021.00	
Zone 2	\$1,071.80	\$1,672.40	\$3,292.90	
Zone 3	\$1,120.00	\$1,747.70	\$3,441.10	
Zone 4	\$1,176.00	\$1,835.10	\$3,613.20	
(d) Month-to-Month Rates				
Zone 1	\$ 740.00	\$2,320.00	\$4,570.00	\$11,070.00
Zone 2	\$ 745.00	\$2,530.00	\$4,980.00	\$11,070.00
Zone 3	\$ 750.00	\$2,640.00	\$5,200.00	\$11,070.00
Zone 4	\$ 755.00	\$2,780.00	\$5,460.00	\$11,070.00

(N)

CANCELLED - Missouri Public Service Commission - 07/14/2023 - IN-2023-0447 - YI-2024-0001

ISSUED:  
May 1, 2012

Gary L. Kepley  
Director - Regulatory Operations  
5454 W. 110th Street  
Overland Park, Kansas 66211

FILED  
Missouri Public  
Service Commission

EFFECTIVE:  
July 3, 2012

TT-2012-0317, YI-2012-0635

ACCESS SERVICE

(N)

6. Switched Access Service (Cont'd)

6.8 Rates and Charges (Cont'd)

6.8.2 Switched Transport

(A) Entrance Facilities (Cont'd)

(8) OptiPoint-48 with Telephone Company Provided Terminal Equipment

	<u>Monthly Rates</u>			<u>Nonrecurring Installation Charge</u>
	<u>Within CO</u>	<u>0-3 Miles</u>	<u>Over 3 Miles</u>	
(a) 1 Year Commitment Rates - Per Point of Termination				
Zone 1	\$1,800.00	\$8,410.00	\$11,770.00	\$19,880.00
Zone 2	\$1,800.00	\$9,170.00	\$12,830.00	\$19,880.00
Zone 3	\$1,800.00	\$9,580.00	\$13,410.00	\$19,880.00
Zone 4	\$1,810.00	\$10,060.00	\$14,070.00	\$19,880.00
(b) 3 Year Commitment Rates - Per Point of Termination				
Zone 1	\$6,175.00	\$7,885.00	\$11,970.00	
Zone 2	\$6,730.80	\$8,594.70	\$13,047.30	
Zone 3	\$7,033.70	\$8,981.50	\$13,634.40	
Zone 4	\$7,385.40	\$9,430.60	\$14,316.10	
(c) 5 Year Commitment Rates - Per Point of Termination				
Zone 1	\$5,605.00	\$7,125.00	\$9,975.00	
Zone 2	\$6,109.50	\$7,766.30	\$10,872.80	
Zone 3	\$6,384.40	\$8,115.80	\$11,362.10	
Zone 4	\$6,703.60	\$8,521.60	\$11,930.20	
(d) Month-to-Month Rates				
Zone 1	\$1,990.00	\$9,340.00	\$13,070.00	\$19,880.00
Zone 2	\$2,000.00	\$10,180.00	\$14,250.00	\$19,880.00
Zone 3	\$2,000.00	\$10,640.00	\$14,890.00	\$19,880.00
Zone 4	\$2,010.00	\$11,170.00	\$15,630.00	\$19,880.00

(N)

CANCELLED - Missouri Public Service Commission - 07/14/2023 - IN-2023-0447 - YI-2024-0001

ISSUED:  
May 1, 2012

Gary L. Kepley  
Director - Regulatory Operations  
5454 W. 110th Street  
Overland Park, Kansas 66211

FILED  
Missouri Public  
Service Commission

EFFECTIVE:  
July 3, 2012

TT-2012-0317, YI-2012-0635



ACCESS SERVICE

(N)

6. Switched Access Service (Cont'd)

6.8 Rates and Charges (Cont'd)

6.8.2 Switched Transport

(A) Entrance Facilities (Cont'd)

(9) OptiPoint-48 without Telephone Company Provided Terminal Equipment

	<u>Monthly Rates</u>			<u>Nonrecurring Installation Charge</u>
	<u>Within CO</u>	<u>0-3 Miles</u>	<u>Over 3 Miles</u>	
(a) 1 Year Commitment Rates - Per Point of Termination				
Zone 1	\$1,990.00	\$6,630.00	\$11,620.00	\$16,610.00
Zone 2	\$2,000.00	\$7,230.00	\$12,660.00	\$16,610.00
Zone 3	\$2,010.00	\$7,550.00	\$13,230.00	\$16,610.00
Zone 4	\$2,010.00	\$7,930.00	\$13,900.00	\$16,610.00
(b) 3 Year Commitment Rates - Per Point of Termination				
Zone 1	\$3,515.00	\$5,510.00	\$9,310.00	
Zone 2	\$3,831.40	\$6,005.90	\$10,147.90	
Zone 3	\$4,003.80	\$6,276.20	\$10,604.60	
Zone 4	\$4,204.00	\$6,590.00	\$11,134.80	
(c) 5 Year Commitment Rates - Per Point of Termination				
Zone 1	\$3,230.00	\$5,035.00	\$8,835.00	
Zone 2	\$3,520.70	\$5,488.20	\$9,630.20	
Zone 3	\$3,679.10	\$5,735.20	\$10,063.60	
Zone 4	\$3,863.10	\$6,022.00	\$10,566.80	
(d) Month-to-Month Rates - Per Point of Termination				
Zone 1	\$2,160.00	\$7,200.00	\$12,630.00	\$16,610.00
Zone 2	\$2,170.00	\$7,850.00	\$13,760.00	\$16,610.00
Zone 3	\$2,180.00	\$8,200.00	\$14,380.00	\$16,610.00
Zone 4	\$2,185.00	\$8,610.00	\$15,100.00	\$16,610.00

(N)

CANCELLED - Missouri Public Service Commission - 07/14/2023 - IN-2023-0447 - YI-2024-0001

ISSUED:  
May 1, 2012

Gary L. Kepley  
Director - Regulatory Operations  
5454 W. 110th Street  
Overland Park, Kansas 66211

**FILED**  
**Missouri Public**  
**Service Commission**

EFFECTIVE:  
July 3, 2012

TT-2012-0317, YI-2012-0635

ACCESS SERVICE

(N)

6. Switched Access Service (Cont'd)

6.8 Rates and Charges (Cont'd)

6.8.2 Switched Transport

(A) Entrance Facilities (Cont'd)

(10) STS1 (51.84 Mbps)

	Monthly Rates		
	<u>Within CO</u>	<u>0-3 Miles</u>	<u>Over 3 Miles</u>
Zone 1	\$1,035.00	\$1,595.00	\$2,400.00
Zone 2	\$1,280.00	\$1,765.00	\$2,685.00
Zone 3	\$1,375.00	\$1,850.00	\$2,935.00
Zone 4	\$1,443.75	\$1,942.50	\$3,081.75

	<u>Nonrecurring Installation Charge</u>	<u>Nonrecurring Rearrangement Charge</u>
Zone 1	\$300.00	\$150.00
Zone 2	\$300.00	\$150.00
Zone 3	\$300.00	\$150.00
Zone 4	\$300.00	\$150.00

(B) Direct-Trunked Transport

	Monthly Rates	
	<u>Termination (Fixed)</u>	<u>Facility (Per Mile)</u>
(1) Voice Grade -Per Channel	\$24.00	\$0.30
(2) DS1 -Per DS1		
Zone 1	\$47.50	\$2.14
Zone 2	\$49.88	\$2.24
Zone 3	\$52.87	\$2.38
Zone 4	\$57.10	\$2.57

(N)

ISSUED:  
May 1, 2012

Gary L. Kepley  
Director - Regulatory Operations  
5454 W. 110th Street  
Overland Park, Kansas 66211

FILED  
Missouri Public  
Service Commission  
TT-2012-0317, YI-2012-0635

EFFECTIVE:  
July 3, 2012

CANCELLED - Missouri Public Service Commission - 07/14/2023 - IN-2023-0447 - YI-2024-0001

ACCESS SERVICE

(N)

6. Switched Access Service (Cont'd)

6.8 Rates and Charges (Cont'd)

6.8.2 Switched Transport

(B) Direct-Trunked Transport (Cont'd)

		<u>Monthly Rates</u>	
		<u>Termination</u>	<u>Facility</u>
		<u>(Fixed)</u>	<u>(Per Mile)</u>
(3)	DS3 - Per DS3		
	Zone 1	\$502.27	\$38.00
	Zone 2	\$547.00	\$41.00
	Zone 3	\$591.00	\$44.00
	Zone 4	\$626.00	\$47.00
(4)	OptiPoint-3		
	(a) 1 Year Commitment Rates		
	Zone 1	\$2,566.00	\$226.00
	Zone 2	\$2,797.00	\$246.00
	Zone 3	\$2,923.00	\$257.00
	Zone 4	\$3,069.00	\$270.00
	(b) 3 Year Commitment Rates		
	Zone 1	\$2,053.00	\$180.50
	Zone 2	\$2,237.80	\$196.70
	Zone 3	\$2,338.50	\$205.60
	Zone 4	\$2,455.40	\$215.90
	(c) 5 Year Commitment Rates		
	Zone 1	\$1,860.10	\$161.50
	Zone 2	\$2,027.50	\$176.00
	Zone 3	\$2,118.70	\$183.90
	Zone 4	\$2,224.60	\$193.10
	(d) Month-to-Month Rates		
	Zone 1	\$2,830.00	\$250.00
	Zone 2	\$3,080.00	\$280.00
	Zone 3	\$3,220.00	\$290.00
	Zone 4	\$3,380.00	\$300.00

(N)

ISSUED:  
May 1, 2012

Gary L. Kepley  
Director - Regulatory Operations  
5454 W. 110th Street  
Overland Park, Kansas 66211

**FILED**  
**Missouri Public**  
**Service Commission**  
TT-2012-0317, YI-2012-0635

EFFECTIVE:  
July 3, 2012

ACCESS SERVICE

(N)

6. Switched Access Service (Cont'd)

6.8 Rates and Charges (Cont'd)

6.8.2 Switched Transport

(B) Direct-Trunked Transport (Cont'd)

		<u>Monthly Rates</u>	
		<u>Termination</u>	<u>Facility</u>
		<u>(Fixed)</u>	<u>(Per Mile)</u>
(5) OptiPoint-12			
(a) 1 Year Commitment Rates			
Zone 1	\$6,429.00		\$565.00
Zone 2	\$7,008.00		\$616.00
Zone 3	\$7,323.00		\$644.00
Zone 4	\$7,689.00		\$676.00
(b) 3 Year Commitment Rates			
Zone 1	\$5,143.30		\$452.20
Zone 2	\$5,606.20		\$492.90
Zone 3	\$5,858.50		\$515.10
Zone 4	\$6,151.40		\$540.90
(c) 5 Year Commitment Rates			
Zone 1	\$4,629.40		\$411.40
Zone 2	\$5,046.00		\$448.40
Zone 3	\$5,273.10		\$468.60
Zone 4	\$5,536.80		\$492.00
(d) Month-to-Month Rates			
Zone 1	\$2,830.00		\$250.00
Zone 2	\$3,080.00		\$280.00
Zone 3	\$3,220.00		\$290.00
Zone 4	\$3,380.00		\$300.00

(N)

CANCELLED - Missouri Public Service Commission - 07/14/2023 - IN-2023-0447 - YI-2024-0001

ISSUED:  
May 1, 2012

Gary L. Kepley  
Director - Regulatory Operations  
5454 W. 110th Street  
Overland Park, Kansas 66211

**FILED**  
**Missouri Public**  
**Service Commission**  
TT-2012-0317, YI-2012-0635

EFFECTIVE:  
July 3, 2012

ACCESS SERVICE

(N)

6. Switched Access Service (Cont'd)

6.8 Rates and Charges (Cont'd)

6.8.2 Switched Transport

(B) Direct-Trunked Transport (Cont'd)

		<u>Monthly Rates</u>	
		<u>Termination</u>	<u>Facility</u>
		<u>(Fixed)</u>	<u>(Per Mile)</u>
(6)	OptiPoint-48		
(a)	1 Year Commitment Rates		
	Zone 1	\$13,000.00	\$810.00
	Zone 2	\$14,170.00	\$890.00
	Zone 3	\$14,810.00	\$930.00
	Zone 4	\$15,550.00	\$980.00
(b)	3 Year Commitment Rates		
	Zone 1	\$12,350.00	\$712.50
	Zone 2	\$13,461.50	\$776.60
	Zone 3	\$14,067.30	\$811.50
	Zone 4	\$14,770.70	\$852.10
(c)	5 Year Commitment Rates		
	Zone 1	\$11,020.00	\$684.00
	Zone 2	\$12,011.80	\$745.60
	Zone 3	\$12,552.30	\$779.20
	Zone 4	\$13,179.90	\$818.20
(d)	Month-to-Month Rates		
	Zone 1	\$14,440.00	\$900.00
	Zone 2	\$15,740.00	\$980.00
	Zone 3	\$16,450.00	\$1,030.00
	Zone 4	\$17,270.00	\$1,080.00
(7)	STS1 (51.84 Mbps)		
	Zone 1	\$851.00	\$100.00
	Zone 2	\$941.00	\$145.00
	Zone 3	\$976.00	\$158.00
	Zone 4	\$1,024.80	\$165.90

(N)

ISSUED:  
May 1, 2012

Gary L. Kepley  
Director - Regulatory Operations  
5454 W. 110th Street  
Overland Park, Kansas 66211

**FILED**  
**Missouri Public**  
**Service Commission**  
**TT-2012-0317, YI-2012-0635**

EFFECTIVE:  
July 3, 2012

CANCELLED - Missouri Public Service Commission - 07/14/2023 - IN-2023-0447 - YI-2024-0001

ACCESS SERVICE

6. Switched Access Service (Cont'd)

6.8 Rates and Charges (Cont'd)

6.8.2 Switched Transport

	<u>Rate Per Access Minute</u>			(T)
	<u>Originating Non-Toll Free</u> *	<u>Terminating 3rd Party</u>	<u>Terminating End Office</u>	
(C) <u>Tandem-Switched Transport</u>				
(1) Tandem-Switched Transmission				
(a) Termination (Fixed)				
Zone 1	\$0.000218	\$0.000218	\$0.000000	
Zone 2	\$0.000235	\$0.000235	\$0.000000	
Zone 3	\$0.000245	\$0.000245	\$0.000000	
Zone 4	\$0.000278	\$0.000278	\$0.000000	
(b) Facility (Per Mile)				
Zone 1	\$0.000020	\$0.000020	\$0.000000	
Zone 2	\$0.000021	\$0.000021	\$0.000000	
Zone 3	\$0.000023	\$0.000023	\$0.000000	
Zone 4	\$0.000025	\$0.000025	\$0.000000	
(2) Tandem Switching				
Zone 1	\$0.000331	\$0.000331	\$0.000000	
Zone 2	\$0.000362	\$0.000362	\$0.000000	
Zone 3	\$0.000381	\$0.000381	\$0.000000	
Zone 4	\$0.000425	\$0.000425	\$0.000000	
(3) Common Transport Multiplexing				
Zone 1	\$0.000218	\$0.000218	\$0.000000	
Zone 2	\$0.000235	\$0.000235	\$0.000000	
Zone 3	\$0.000254	\$0.000254	\$0.000000	
Zone 4	\$0.000277	\$0.000277	\$0.000000	
(4) 8YY Joint Tandem Switched Transport				
	<u>Originating Toll Free</u> *			(N)   (N)
<b>All Zones</b>	<b>\$0.001</b>			(N)

\* Effective July 1, 2021, pursuant to FCC 20-143, separate rate elements for Toll Free and Non-Toll Free Originating Transport services were established. The Toll Free originating rate element for transport services is displayed as 8YY Joint Tandem Switched Transport. (N)  
(N)  
(N)

ISSUED:  
May 14, 2021

Chantel Bosworth  
Director - Government Operations  
100 CenturyLink Dr.  
Monroe, LA 71203

EFFECTIVE:  
July 1, 2021

MO2021-06

FILED  
Missouri Public  
Service Commission  
JI-2021-0199

CANCELLED - Missouri Public Service Commission - 07/14/2023 - IN-2023-0447 - YI-2024-0001

ACCESS SERVICE

6. Switched Access Service (Cont'd)

6.8 Rates and Charges (Cont'd)

6.8.2 Switched Transport

	<u>Rate Per Access Minute</u>		
	<u>Originating</u>	<u>Terminating 3rd Party</u>	<u>Terminating End Office</u>
(C) <u>Tandem-Switched Transport</u>			
(1) Tandem-Switched Transmission			
(a) Termination (Fixed)			
Zone 1	\$0.000218	\$0.000218	\$0.000000 (R)
Zone 2	\$0.000235	\$0.000235	\$0.000000 (R)
Zone 3	\$0.000245	\$0.000245	\$0.000000 (R)
Zone 4	\$0.000278	\$0.000278	\$0.000000 (R)
(b) Facility (Per Mile)			
Zone 1	\$0.000020	\$0.000020	\$0.000000
Zone 2	\$0.000021	\$0.000021	\$0.000000
Zone 3	\$0.000023	\$0.000023	\$0.000000
Zone 4	\$0.000025	\$0.000025	\$0.000000
(2) Tandem Switching			
Zone 1	\$0.000331	\$0.000331	\$0.000000 (R)
Zone 2	\$0.000362	\$0.000362	\$0.000000 (R)
Zone 3	\$0.000381	\$0.000381	\$0.000000 (R)
Zone 4	\$0.000425	\$0.000425	\$0.000000 (R)
(3) Common Transport Multiplexing			
Zone 1	\$0.000218	\$0.000218	\$0.000000
Zone 2	\$0.000235	\$0.000235	\$0.000000
Zone 3	\$0.000254	\$0.000254	\$0.000000
Zone 4	\$0.000277	\$0.000277	\$0.000000

ISSUED:  
May 1, 2018

Christy V. Londerholm  
Director - Regulatory Compliance & Analytics  
600 New Century Parkway  
New Century, Kansas 66031

EFFECTIVE:  
July 3, 2018

CANCELLED  
July 1, 2021  
Missouri Public  
Service Commission  
JI-2021-0199

FILED  
Missouri Public  
Service Commission  
YI-2018-0146

ACCESS SERVICE

6. Switched Access Service (Cont'd)

6.8 Rates and Charges (Cont'd)

6.8.2 Switched Transport

	<u>Rate Per Access Minute</u>			
	<u>Originating</u>	<u>Terminating 3rd Party</u>	<u>Terminating End Office</u>	
(C) <u>Tandem-Switched Transport</u>				
(1) Tandem-Switched Transmission				
(a) Termination (Fixed)				
Zone 1	\$0.000218	\$0.000218	\$0.000105 (R)	
Zone 2	\$0.000235	\$0.000235	\$0.000106 (R)	
Zone 3	\$0.000245	\$0.000245	\$0.000107 (R)	
Zone 4	\$0.000278	\$0.000278	\$0.000109 (R)	
(b) Facility (Per Mile)				
Zone 1	\$0.000020	\$0.000020	\$0.000000 (R)	
Zone 2	\$0.000021	\$0.000021	\$0.000000 (R)	
Zone 3	\$0.000023	\$0.000023	\$0.000000 (R)	
Zone 4	\$0.000025	\$0.000025	\$0.000000 (R)	
(2) Tandem Switching				
Zone 1	\$0.000331	\$0.000331	\$0.000331 (R)	
Zone 2	\$0.000362	\$0.000362	\$0.000362 (R)	
Zone 3	\$0.000381	\$0.000381	\$0.000381 (R)	
Zone 4	\$0.000425	\$0.000425	\$0.000425 (R)	
(3) Common Transport Multiplexing				
Zone 1	\$0.000218	\$0.000218	\$0.000000 (R)	
Zone 2	\$0.000235	\$0.000235	\$0.000000 (R)	
Zone 3	\$0.000254	\$0.000254	\$0.000000 (R)	
Zone 4	\$0.000277	\$0.000277	\$0.000000 (R)	

ISSUED:  
May 1, 2017

Gary L. Kepley  
Director - Regulatory Operations  
600 New Century Parkway  
New Century, Kansas 66031

EFFECTIVE:  
July 1, 2017

CANCELLED  
July 3, 2018  
Missouri Public  
Service Commission  
YI-2018-0146

FILED  
Missouri Public  
Service Commission  
YI-2017-0229



ACCESS SERVICE

6. Switched Access Service (Cont'd)

6.8 Rates and Charges (Cont'd)

6.8.2 Switched Transport

(C) Tandem-Switched Transport

		<u>Rate Per Access Minute</u>	
		<u>Originating</u>	<u>Terminating</u>
(1)	Tandem-Switched Transmission		
	(a) Termination (Fixed)		
	Zone 1	\$0.000218	\$0.000218
	Zone 2	\$0.000235	\$0.000235
	Zone 3	\$0.000245	\$0.000245
	Zone 4	\$0.000278	\$0.000278
	(b) Facility (Per Mile)		
	Zone 1	\$0.000020	\$0.000020
	Zone 2	\$0.000021	\$0.000021
	Zone 3	\$0.000023	\$0.000023
	Zone 4	\$0.000025	\$0.000025
(2)	Tandem Switching		
	Zone 1	\$0.000331	\$0.000331
	Zone 2	\$0.000362	\$0.000362
	Zone 3	\$0.000381	\$0.000381
	Zone 4	\$0.000425	\$0.000425
(3)	Common Transport Multiplexing		
	Zone 1	\$0.000218	\$0.000218
	Zone 2	\$0.000235	\$0.000235
	Zone 3	\$0.000254	\$0.000254
	Zone 4	\$0.000277	\$0.000277

(M)

(M) Material omitted from this page now appears on Page 268.

ISSUED:  
May 1, 2012

Gary L. Kepley  
Director - Regulatory Operations  
5454 W. 110th Street  
Overland Park, Kansas 66211

EFFECTIVE:  
July 2, 2013

ACCESS SERVICE

(N)

6. Switched Access Service (Cont'd)

6.8 Rates and Charges (Cont'd)

6.8.2 Switched Transport

(C) Tandem-Switched Transport

		<u>Rate Per Access Minute</u>	
		<u>Originating</u>	<u>Terminating</u>
(1)	Tandem-Switched Transmission		
	(a) Termination (Fixed)		
	Zone 1	\$0.000218	\$0.000218
	Zone 2	\$0.000235	\$0.000235
	Zone 3	\$0.000245	\$0.000245
	Zone 4	\$0.000278	\$0.000278
	(b) Facility (Per Mile)		
	Zone 1	\$0.000020	\$0.000020
	Zone 2	\$0.000021	\$0.000021
	Zone 3	\$0.000023	\$0.000023
	Zone 4	\$0.000025	\$0.000025
(2)	Tandem Switching		
	Zone 1	\$0.000331	\$0.000331
	Zone 2	\$0.000362	\$0.000362
	Zone 3	\$0.000381	\$0.000381
	Zone 4	\$0.000425	\$0.000425
(3)	Common Transport Multiplexing		
	Zone 1	\$0.000218	\$0.000218
	Zone 2	\$0.000235	\$0.000235
	Zone 3	\$0.000254	\$0.000254
	Zone 4	\$0.000277	\$0.000277
(4)	Common Trunk Port	\$0.000498	\$0.000498

(N)

ISSUED:  
May 1, 2012

Gary L. Kepley  
Director - Regulatory Operations  
5454 W. 110th Street  
Overland Park, Kansas 66211

**FILED**  
**Missouri Public**  
**Service Commission**  
**TT-2012-0317, YI-2012-0635**

EFFECTIVE:  
July 3, 2012

ACCESS SERVICE

6. Switched Access Service (Cont'd)

6.8 Rates and Charges (Cont'd)

6.8.2 Switched Transport

(C) Tandem-Switched Transport (Cont'd)

Monthly Rate

(5) Dedicated Trunk Port

(a) Per DS0 \$3.66

(b) Per DS1 \$93.40

(6) Dedicated Multiplexing – DS3 to DS1

Zone 1 \$237.50

Zone 2 259.00

Zone 3 280.00

Zone 4 297.00

(D) Residual Interconnection Charge

Per Access Minute

Originating – **Non-Toll Free** \* \$0.014057

Terminating \$0.000000

(T)

\* Effective July 1, 2021, pursuant to FCC 20-143, separate rate elements for Toll Free and Non-Toll Free Originating Transport services were established. The Toll Free originating combined rate element for transport services is displayed as 8YY Joint Tandem Switched Transport, preceding.

ISSUED:  
May 14, 2021

Chantel Bosworth  
Director - Government Operations  
100 CenturyLink Dr.  
Monroe, LA 71203

EFFECTIVE:  
July 1, 2021

MO2021-06

FILED  
Missouri Public  
Service Commission  
JI-2021-0199

CANCELLED - Missouri Public Service Commission - 07/14/2023 - IN-2023-0447 - YI-2024-0001

ACCESS SERVICE

6. Switched Access Service (Cont'd)

6.8 Rates and Charges (Cont'd)

6.8.2 Switched Transport

(C) Tandem-Switched Transport (Cont'd)

Monthly Rate

(5) Dedicated Trunk Port

(a) Per DS0 \$3.66

(b) Per DS1 \$93.40

(6) Dedicated Multiplexing – DS3 to DS1

Zone 1 \$237.50

Zone 2 259.00

Zone 3 280.00

Zone 4 297.00

(N)

(N)

(D) Residual Interconnection Charge

Per Access Minute

Originating \$0.014057

Terminating \$0.000000 (R) (C)

ISSUED:  
 May 1, 2013

CANCELLED  
 July 1, 2021  
 Missouri Public  
 Service Commission  
 JI-2021-0199

Gary L. Kepley  
 Director - Regulatory Operations  
 5454 W. 110th Street  
 Overland Park, Kansas 66211

EFFECTIVE:  
 July 2, 2013

FILED  
 Missouri Public  
 Service Commission  
 JI-2013-0492

ACCESS SERVICE

(N)

6. Switched Access Service (Cont'd)

6.8 Rates and Charges (Cont'd)

6.8.2 Switched Transport

(C) Tandem-Switched Transport (Cont'd)

Monthly Rate

(5) Dedicated Trunk Port

(a) Per DS0 \$3.66

(b) Per DS1 \$93.40

(D) Residual Interconnection Charge

Per Access Minute

Originating \$0.014057

Terminating \$0.014057

(N)

ISSUED:  
May 1, 2012

Gary L. Kepley  
Director - Regulatory Operations  
5454 W. 110th Street  
Overland Park, Kansas 66211

FILED  
Missouri Public  
Service Commission  
TT-2012-0317, YI-2012-0635

EFFECTIVE:  
July 3, 2012

ACCESS SERVICE

6. Switched Access Service (Cont'd)

6.8 Rates and Charges (Cont'd)

6.8.2 Switched Transport (Cont'd)

(E)	<u>Optional Features</u>	<u>Monthly Rates</u>	
	Provision of other than Telephone Company Selected Traffic Routing (available with FGB, FGC, and FGD)		
-	Direct Trunking in lieu of Tandem Trunking	GAR	(C)
-	Tandem Trunking in lieu of Direct Trunking	GAR	(M)   (M) (C)

(M) This material previously appeared on Page 265.

ISSUED:  
May 1, 2013

Gary L. Kepley  
Director - Regulatory Operations  
5454 W. 110th Street  
Overland Park, Kansas 66211

EFFECTIVE:  
July 2, 2013

FILED  
Missouri Public  
Service Commission  
JI-2013-0492

CANCELLED - Missouri Public Service Commission - 07/14/2023 - IN-2023-0447 - YI-2024-0001

ACCESS SERVICE

6. Switched Access Service (Cont'd)

6.8 Rates and Charges (Cont'd)

6.8.2 Switched Transport (Cont'd) (C)

(E) Optional Features Monthly Rates (T)

Provision of other than Telephone Company Selected Traffic Routing (available with FGB, FGC, and FGD)

- Direct Trunking in lieu of Tandem Trunking

ICB

ISSUED:  
May 1, 2012

Gary L. Kepley  
Director - Regulatory Operations  
5454 W. 110th Street  
Overland Park, Kansas 66211

FILED  
Missouri Public  
Service Commission  
TT-2012-0317, YI-2012-0635

EFFECTIVE:  
July 3, 2012

ACCESS SERVICE

6. Switched Access Service (Cont'd)

6.8 Rates and Charges (Cont'd)

6.8.2 Local Transport (Cont'd)

(B) Optional Features

Monthly  
Rates

Provision of other  
than Telephone Company  
Selected Traffic Routing  
(available with FGB,  
FGC, and FGD)

- Direct Trunking in  
lieu of Tandem  
Trunking

ICB

ISSUED:  
March 30, 2007

Mark D. Harper  
Director - State Regulatory  
5454 W. 110th Street  
Overland Park, Kansas 66211

EFFECTIVE:  
April 30, 2007



SPRINT MISSOURI, INC.  
d/b/a SPRINT

Second Revised Page 264  
Cancels First Revised Page 264

ACCESS SERVICE

Missouri Public  
Service Commission

6. Switched Access Service (Cont'd)

REC'D MAY 03 2000

6.8 Rates and Charges (Cont'd)

6.8.2 Local Transport (Cont'd)

(B) Optional Features

Monthly  
Rates (C)

Provision of other  
than Telephone Company  
Selected Traffic Routing  
(available with tGB,  
FGC, and FGD)

Direct Trunking in  
lieu of Tandem  
Trunking

res (C)

Missouri Public  
Service Commission

FILED JUN 02 2000

ISSUED:  
May J, 2000

Richard D. Lawson  
State Executive, External Affairs

EFFECTIVE:  
June 2, 2000

ACCESS SERVICE

RECEIVED

6. Switched Access Service (Cont'd)

NOV 2 1993

6.8 Rates and Charges (Cont'd)

MO. PUBLIC SERVICE COMM.

6.8.2 Local Transport (Cont'd)

(B) <u>Optional Features</u>	<u>USOC</u>	<u>Monthly Rates</u>	(7)
Provision of other than Telephone Company Selected Traffic Routing (available with FGB, FGC, and FGD)			
-Direct Trunking in lieu of Tandem Trunking	1RTDT	ICB	

**CANCELLED**

JUN 02 2000

By *210 RP 264*  
Public Service Commission  
MISSOURI

**FILED**

NOV 7 1993  
93 - 181  
MO. PUBLIC SERVICE COMM.

ISSUED:  
November 3, 1993

BY: John L. Roe  
Vice President - Administration  
5454 West 110th Street  
Overland Park, Kansas 66211

EFFECTIVE:  
November 7, 1993

UNITED TELEPHONE COMPANY  
OF MISSOURI

Original Page 264

ACCESS SERVICE

RECEIVED

SEP 17 1992

6. Switched Access Service (Cont'd)

6.8 Rates and Charges (Cont'd)

REG. PUBLIC SERVICE COM. MO.

6.8.2 Local Transport (Cont'd)

(B)	Monthly <u>Optional Features</u>	<u>USOC</u>	<u>Rates</u>
	Provision of other than Telephone Company Selected Traffic Routing (available with FGB, FGC, and FGD)		
	-Direct Trunking in lieu of Tandem Trunking	1RTDT	ICB

**CANCELLED**

NOV 7 1993  
BY *1st R.S. #264*  
Public Service Commission  
MISSOURI

FILED

NOV 7 1992

REG. PUBLIC SERVICE COM. MO.

ISSUED:  
September 17, 1992

BY: John L. Roe  
Vice President - Administration  
5454 West 110th Street  
Overland Park, Kansas 66211

EFFECTIVE:  
~~October 1, 1992~~  
NOV 7 1992

ACCESS SERVICE

6. Switched Access Service (Cont'd)

6.8 Rates and Charges (Cont'd)

6.8.2 Switched Transport (Cont'd)

(E) Optional Features (Cont'd)

Monthly  
Rates

(M)

(M)

Customer Specification  
of Feature Group  
Directionality  
(Available with FGB,  
FGC\*, FGD)

- One-Way Operation  
in lieu of Two-Way  
Operation

GAR

(C)

- Two-Way Operation  
in lieu of One-Way  
Operation

GAR

(M1)

(M1) (C)

\* For FGC this option is available only in appropriately equipped end offices.

(M) Material omitted from this page now appears on Page 264.

(M1) This material previously appeared on Page 266.

ISSUED:  
May 1, 2013

Gary L. Kepley  
Director - Regulatory Operations  
5454 W. 110th Street  
Overland Park, Kansas 66211

EFFECTIVE:  
July 2, 2013

FILED  
Missouri Public  
Service Commission  
JI-2013-0492

CANCELLED - Missouri Public Service Commission - 07/14/2023 - IN-2023-0447 - YI-2024-0001

ACCESS SERVICE

6. Switched Access Service (Cont'd)

6.8 Rates and Charges (Cont'd)

6.8.2 Switched Transport (Cont'd) (C)

(E) Optional Features (Cont'd) Monthly Rates (T)

- Tandem Trunking  
in lieu of  
Direct Trunking ICB

Customer Specification  
of Feature Group  
Directionality  
(Available with FGB,  
FGC\*, FGD)

- One-Way Operation  
in lieu of Two-Way  
Operation ICB

\* For FGC this option is available only in appropriately equipped end offices.

ISSUED:  
May 1, 2012

Gary L. Kepley  
Director - Regulatory Operations  
5454 W. 110th Street  
Overland Park, Kansas 66211

EFFECTIVE:  
July 3, 2012

FILED  
Missouri Public  
Service Commission  
TT-2012-0317, YI-2012-0635

ACCESS SERVICE

6. Switched Access Service (Cont'd)

6.8 Rates and Charges (Cont'd)

6.8.2 Local Transport (Cont'd)

(B)	<u>Optional Features</u> (Cont'd)	<u>Monthly Rates</u>
-	Tandem Trunking in lieu of Direct Trunking	ICB
	Customer Specification of Feature Group Directionality (Available with FGB, FGC*, FGD)	
-	One-Way Operation in lieu of Two-Way Operation	ICB

\* For FGC this option is available only in appropriately equipped end offices.

ISSUED:  
March 30, 2007

Mark D. Harper  
Director - State Regulatory  
5454 W. 110th Street  
Overland Park, Kansas 66211

EFFECTIVE:  
April 30, 2007

SPRINT MISSOURI, INC.  
d/b/a SPRINT

Second Revised Page 265  
Cancels First Revised Page 265

ACCESS SERVICE

Missouri Public  
Service Commission

REC'D MAY 03 2000

6. Switched Access Service (Cont'd)

6.8 Rates and Charges (Cont'd)

6.8.2 Local Transport (Cont'd)

(B) Optional Features (Cont'd)

	Monthly Rates	(C)
- Tandem Trunking in lieu of Direct Trunking	ICB	(C)
Customer Specification of Feature Group Directionality (Available with FGB, FGC*, FGD)		
- One-Way Operation in lieu of Two-Way Operation	ICB	(C)

Missouri Public  
Service Commission

FILED JUN 02 2000

\* For FGC this option is available only in appropriately equipped end offices.

ISSUED:  
May 3, 2000

Richard D. Lawson  
State Executive, External Affairs

EFFECTIVE:  
June 2, 2000

Cancelled

April 30, 2007  
Missouri Public  
Service Commission

ACCESS SERVICE

RECEIVED

6. Switched Access Service (Cont'd)

NOV 2 1993

6.8 Rates and Charges (Cont'd)

MO. PUBLIC SERVICE COMM.

6.8.2 Local Transport (Cont'd)

(B) Optional Features (Cont'd)

	<u>USOC</u>	<u>Monthly Rates</u>	(T)
-Tandem Trunking in lieu of Direct Trunking	1RTTT	ICB	
Customer Specification of Feature Group Directionality (Available with FGB, FGC*, FGD)			
-One-Way Operation in lieu of Two-Way Operation	1DSOW	ICB	

\* For FGC this option is available only in appropriately equipped end offices.

**CANCELLED**

JUN 02 2000  
By 2nd RP265  
Public Service Commission  
MISSOURI

**FILED**

NOV 7 1993  
93 - 181  
MO. PUBLIC SERVICE COMM.

ISSUED:  
November 3, 1993

BY: John L. Roe  
Vice President - Administration  
5454 West 110th Street  
Overland Park, Kansas 66211

EFFECTIVE:  
November 7, 1993



UNITED TELEPHONE COMPANY  
OF MISSOURI

Original Page 265

ACCESS SERVICE

RECEIVED

SEP 17 1992

6. Switched Access Service (Cont'd)

REG. PUBLIC SERVICE BOARD

6.8 Rates and Charges (Cont'd)

6.8.2 Local Transport (Cont'd)

(B) Optional Features (Cont'd)

	<u>USOC</u>	<u>Rates</u>
-Tandem Trunking in lieu of Direct Trunking	1RTTT	ICB
Customer Specification of Feature Group Directionality (Available with FGB, FGC*, FGD)		
-One-Way Operation in lieu of Two-Way Operation	1DSOW	ICB

\* For FGC this option is available only in appropriately equipped end offices.

**CANCELLED**

NOV 7 1993  
BY 1st R.S. # 265  
Public Service Commission  
MISSOURI

10110

NOV 7 1992

REG. PUBLIC SERVICE BOARD

ISSUED:  
September 17, 1992

BY: John L. Roe  
Vice President - Administration  
5454 West 110th Street  
Overland Park, Kansas 66211

EFFECTIVE:  
~~October 17, 1992~~  
NOV 7 1992

ACCESS SERVICE

6. Switched Access Service (Cont'd)

6.8 Rates and Charges (Cont'd)

6.8.2 Switched Transport (Cont'd)

(E) Optional Features (Cont'd)

Monthly  
Rates

(M)

(M)

Customer Specification  
of Local Transport  
Termination (Available  
with FGB with Type B  
Transmission Performance)

- Four Wire Termination  
in lieu of Two-Wire  
Termination

GAR

(C)

(M) Material omitted from this page now appears on Page 265.

ISSUED:  
May 1, 2013

Gary L. Kepley  
Director - Regulatory Operations  
5454 W. 110th Street  
Overland Park, Kansas 66211

EFFECTIVE:  
July 2, 2013

FILED  
Missouri Public  
Service Commission  
JI-2013-0492

CANCELLED - Missouri Public Service Commission - 07/14/2023 - IN-2023-0447 - YI-2024-0001

ACCESS SERVICE

6. Switched Access Service (Cont'd)

6.8 Rates and Charges (Cont'd)

6.8.2 Switched Transport (Cont'd) (C)

(E) Optional Features (Cont'd)

Monthly  
Rates

(T)

- Two-Way Operation  
in lieu of One-Way  
Operation

ICB

Customer Specification  
of Local Transport  
Termination (Available  
with FGB with Type B  
Transmission Performance)

- Four Wire Termination  
in lieu of Two-Wire  
Termination

ICB

ISSUED:  
May 1, 2012

Gary L. Kepley  
Director - Regulatory Operations  
5454 W. 110th Street  
Overland Park, Kansas 66211

EFFECTIVE:  
July 3, 2012

CANCELLED  
July 2, 2013  
Missouri Public  
Service Commission  
JI-2013-0492

FILED  
Missouri Public  
Service Commission  
TT-2012-0317, YI-2012-0635

ACCESS SERVICE

6. Switched Access Service (Cont'd)

6.8 Rates and Charges (Cont'd)

6.8.2 Local Transport (Cont'd)

(B)	<u>Optional Features</u> (Cont'd)	<u>Monthly Rates</u>
-	Two-Way Operation in lieu of One-Way Operation	ICB
	Customer Specification of Local Transport Termination (Available with FGB with Type B Transmission Performance)	
-	Four Wire Termination in lieu of Two-Wire Termination	ICB

ISSUED:  
March 30, 2007

Mark D. Harper  
Director - State Regulatory  
5454 W. 110th Street  
Overland Park, Kansas 66211

EFFECTIVE:  
April 30, 2007

SPRINT MISSOURI, INC.  
d/b/a SPRINT

Second Revised eage 266  
Cancels first Revised Page 266

ACCESS SERVICE

Missouri Public  
Service Commission

6. Switched Access Service (Cont'd)

REC'D MAY 03 2000

6.8 Rates and Charges (Cont'd)

6.8.2 Local Transport: (Cont'd)

(B) Optional features (Cont'd)

Monthly  
Rates (C)

- Two-Way Operation  
in lieu of One-Way  
Operation

ICB (C)

Customer Specification of  
Local Transport  
Termination (Available  
with fGB with Type B  
Transmission Performance)

- Four -wire Termination  
in lieu of Two-Wire  
Termination

ICB (C)

Missouri Public  
Service Commission

REC'D JUN 02 2000

ISSUED:  
May 3, 2000

Richard D. Lawson  
State Executive, External Affairs

EFFECTIVE:  
June 2, 2000

Cancelled  
April 30, 2007  
Missouri Public  
Service Commission

ACCESS SERVICE

RECEIVED

6. Switched Access Service (Cont'd)

NOV 2 1993

6.8 Rates and Charges (Cont'd)

6.8.2 Local Transport (Cont'd)

MO. PUBLIC SERVICE COMM.

(B) Optional Features (Cont'd)

	<u>USOC</u>	<u>Monthly Rates</u>	(T)
-Two-Way Operation in lieu of One-Way Operation	1DSTW	ICB	
Customer Specification of Local Transport Termination (Available with FGB with Type B Transmission Performance)			
-Four Wire Termination in lieu of Two-Wire Termination	LT1++	ICB	

CANCELLED

JUN 02 2000

By *JND R P 266*

Public Service Commission  
MISSOURI

FILED

NOV 7 1993

93-181

MO. PUBLIC SERVICE COMM.

ISSUED:  
November 3, 1993

BY: John L. Roe  
Vice President - Administration  
5454 West 110th Street  
Overland Park, Kansas 66211

EFFECTIVE:  
November 7, 1993

ACCESS SERVICE

RECEIVED

6. Switched Access Service (Cont'd)

SEP 17 ES2

6.8 Rates and Charges (Cont'd)

MO. PUBLIC SERVICE COM.

6.8.2 Local Transport (Cont'd)

(B) Optional Features (Cont'd)

!!\$.Qf Rates

-Two-Way Operation  
in lieu of One-Way  
Operation

1DSTW ICB

Customer Specification  
of Local Transport  
Termination (Available  
with FGB with Type B  
Transmission  
Performance)

-Four Wire Termination  
in lieu of Two-Wire  
Termination

LT1++ ICB

**CANCELLED**

NOV 7 1992  
BY 1st P.S. #266  
Public Service Commission  
MISSOURI

NOV 7 1992

L.L.:

ISSUED:  
September 17, 1992

BY: John L. Roe  
Vice President - Administration  
5454 West 110th Street  
Overland Park, Kansas 66211

EFFECTIVE:  
~~\_\_\_\_\_~~ **H\$S!!IP**  
NOV 7 1992

ACCESS SERVICE

6. Switched Access Service (Cont'd)

6.8 Rates and Charges (Cont'd)

6.8.2 Switched Transport (Cont'd)

(E) Optional Features (Cont'd)

(4) Multiplexing

(a) DS1 to Voice Grade

	Monthly Rate	Nonrecurring Charge
Zone 1	\$152.00	\$125.00
Zone 2	\$159.60	\$125.00
Zone 3	\$169.18	\$125.00
Zone 4	\$182.71	\$125.00

(b) DS3 to DS1

	Monthly Rate	Nonrecurring Charge
Zone 1	\$237.50	\$200.00
Zone 2	\$259.00	\$200.00
Zone 3	\$280.00	\$200.00
Zone 4	\$297.00	\$200.00

(c) STS1 to DS1

	Monthly Rate	Nonrecurring Charge
Zone 1	\$397.00	\$250.00
Zone 2	\$545.00	\$250.00
Zone 3	\$580.00	\$250.00
Zone 4	\$609.00	\$250.00

(N)

(N)

CANCELLED - Missouri Public Service Commission - 07/14/2023 - IN-2023-0447 - YI-2024-0001

ISSUED:  
May 1, 2012

Gary L. Kepley  
Director - Regulatory Operations  
5454 W. 110th Street  
Overland Park, Kansas 66211

FILED  
Missouri Public  
Service Commission

EFFECTIVE:  
July 3, 2012

TT-2012-0317, YI-2012-0635



ACCESS SERVICE

(N)

6. Switched Access Service (Cont'd)

6.8 Rates and Charges (Cont'd)

6.8.2 Switched Transport (Cont'd)

(E) Optional Features (Cont'd)

		<u>Monthly Rate</u>
(5)	<u>OptiPoint Configuration Node</u>	
(a)	<u>OC3 – per arrangement</u> Per Point of Termination	
	- 1 Year Commitment Rates	
	Zone 1	\$208.00
	Zone 2	\$227.00
	Zone 3	\$237.00
	Zone 4	\$249.00
	- 3 Year Commitment Rates	
	Zone 1	\$166.30
	Zone 2	\$181.30
	Zone 3	\$189.50
	Zone 4	\$199.00
	- 5 Year Commitment Rates	
	Zone 1	\$142.50
	Zone 2	\$155.30
	Zone 3	\$162.30
	Zone 4	\$170.40
	- Month-to-Month Rates	
	Zone 1	\$230.00
	Zone 2	\$250.00
	Zone 3	\$270.00
	Zone 4	\$280.00

(N)

CANCELLED - Missouri Public Service Commission - 07/14/2023 - IN-2023-0447 - YI-2024-0001

ISSUED:  
May 1, 2012

Gary L. Kepley  
Director - Regulatory Operations  
5454 W. 110th Street  
Overland Park, Kansas 66211

**FILED**  
**Missouri Public**  
**Service Commission**

EFFECTIVE:  
July 3, 2012

TT-2012-0317, YI-2012-0635

ACCESS SERVICE

(N)

6. Switched Access Service (Cont'd)

6.8 Rates and Charges (Cont'd)

6.8.2 Switched Transport (Cont'd)

(E) Optional Features (Cont'd)

		<u>Monthly Rate</u>
(5)	<u>OptiPoint Configuration Node</u> (Cont'd)	
(b)	<u>OC12 – per arrangement</u> Per Point of Termination	
	- 1 Year Commitment Rates	
	Zone 1	\$950.00
	Zone 2	\$1,036.00
	Zone 3	\$1,082.00
	Zone 4	\$1,136.00
	- 3 Year Commitment Rates	
	Zone 1	\$760.00
	Zone 2	\$828.40
	Zone 3	\$865.70
	Zone 4	\$909.00
	- 5 Year Commitment Rates	
	Zone 1	\$665.00
	Zone 2	\$724.90
	Zone 3	\$757.50
	Zone 4	\$795.40
	- Month-to-Month Rates	
	Zone 1	\$1,050.00
	Zone 2	\$1,140.00
	Zone 3	\$1,200.00
	Zone 4	\$1,250.00

(N)

CANCELLED - Missouri Public Service Commission - 07/14/2023 - IN-2023-0447 - YI-2024-0001

ISSUED:  
May 1, 2012

Gary L. Kepley  
Director - Regulatory Operations  
5454 W. 110th Street  
Overland Park, Kansas 66211

**FILED**  
**Missouri Public**  
**Service Commission**  
**TT-2012-0317, YI-2012-0635**

EFFECTIVE:  
July 3, 2012

ACCESS SERVICE

(N)

6. Switched Access Service (Cont'd)

6.8 Rates and Charges (Cont'd)

6.8.2 Switched Transport (Cont'd)

(E) Optional Features (Cont'd)

Monthly Rate

(5) OptiPoint Configuration Node (Cont'd)

(c) OC48 – per arrangement  
Per Point of Termination

- 1 Year Commitment Rates

Zone 1	\$930.00
Zone 2	\$1,010.00
Zone 3	\$1,060.00
Zone 4	\$1,110.00

- 3 Year Commitment Rates

Zone 1	\$888.30
Zone 2	\$968.20
Zone 3	\$1,011.80
Zone 4	\$1,062.40

- 5 Year Commitment Rates

Zone 1	\$779.00
Zone 2	\$849.10
Zone 3	\$887.30
Zone 4	\$931.70

- Month-to-Month Rates

Zone 1	\$1,030.00
Zone 2	\$1,120.00
Zone 3	\$1,170.00
Zone 4	\$1,230.00

(N)

CANCELLED - Missouri Public Service Commission - 07/14/2023 - IN-2023-0447 - YI-2024-0001

ISSUED:  
May 1, 2012

Gary L. Kepley  
Director - Regulatory Operations  
5454 W. 110th Street  
Overland Park, Kansas 66211

EFFECTIVE:  
July 3, 2012

FILED  
Missouri Public  
Service Commission  
TT-2012-0317, YI-2012-0635

ACCESS SERVICE

(N)

6. Switched Access Service (Cont'd)

6.8 Rates and Charges (Cont'd)

6.8.2 Switched Transport (Cont'd)

(E) Optional Features (Cont'd)

(6) OptiPoint-3 Configuration Card

Monthly Rates  
Per Card

(a) 1 Year Commitment Rates

Zone 1

DS1	\$18.00
DS3	\$71.00
OC3 Concatenated	\$380.00
STS1	\$77.00

Zone 2

DS1	\$20.00
DS3	\$78.00
OC3 Concatenated	\$414.00
STS1	\$84.00

Zone 3

DS1	\$20.00
DS3	\$81.00
OC3 Concatenated	\$433.00
STS1	\$88.00

Zone 4

DS1	\$21.00
DS3	\$85.00
OC3 Concatenated	\$455.00
STS1	\$92.00

(N)

CANCELLED - Missouri Public Service Commission - 07/14/2023 - IN-2023-0447 - YI-2024-0001

ISSUED:  
May 1, 2012

Gary L. Kepley  
Director - Regulatory Operations  
5454 W. 110th Street  
Overland Park, Kansas 66211

EFFECTIVE:  
July 3, 2012

FILED  
Missouri Public  
Service Commission  
TT-2012-0317, YI-2012-0635

ACCESS SERVICE

(N)

6. Switched Access Service (Cont'd)

6.8 Rates and Charges (Cont'd)

6.8.2 Switched Transport (Cont'd)

(E) Optional Features (Cont'd)

(6) OptiPoint-3 Configuration Card (Cont'd)

Monthly Rates  
Per Card

(b) 3 Year Commitment Rates

Zone 1

DS1	\$14.30
DS3	\$57.00
OC3 Concatenated	\$304.00
STS1	\$61.80

Zone 2

DS1	\$15.60
DS3	\$62.10
OC3 Concatenated	\$331.40
STS1	\$67.40

Zone 3

DS1	\$16.30
DS3	\$64.90
OC3 Concatenated	\$346.30
STS1	\$70.40

Zone 4

DS1	\$17.10
DS3	\$68.10
OC3 Concatenated	\$363.60
STS1	\$73.90

(N)

CANCELLED - Missouri Public Service Commission - 07/14/2023 - IN-2023-0447 - YI-2024-0001

ISSUED:  
May 1, 2012

Gary L. Kepley  
Director - Regulatory Operations  
5454 W. 110th Street  
Overland Park, Kansas 66211

EFFECTIVE:  
July 3, 2012

FILED  
Missouri Public  
Service Commission  
TT-2012-0317, YI-2012-0635

ACCESS SERVICE

(N)

6. Switched Access Service (Cont'd)

6.8 Rates and Charges (Cont'd)

6.8.2 Switched Transport (Cont'd)

(E) Optional Features (Cont'd)

(6) OptiPoint-3 Configuration Card (Cont'd)

Monthly Rates  
Per Card

(c) 5 Year Commitment Rates

Zone 1

DS1	\$12.40
DS3	\$47.50
OC3 Concatenated	\$261.30
STS1	\$57.00

Zone 2

DS1	\$13.50
DS3	\$51.80
OC3 Concatenated	\$284.80
STS1	\$62.10

Zone 3

DS1	\$14.10
DS3	\$54.10
OC3 Concatenated	\$297.60
STS1	\$64.90

Zone 4

DS1	\$14.80
DS3	\$56.80
OC3 Concatenated	\$312.50
STS1	\$68.10

(N)

CANCELLED - Missouri Public Service Commission - 07/14/2023 - IN-2023-0447 - YI-2024-0001

ISSUED:  
May 1, 2012

Gary L. Kepley  
Director - Regulatory Operations  
5454 W. 110th Street  
Overland Park, Kansas 66211

EFFECTIVE:  
July 3, 2012

FILED  
Missouri Public  
Service Commission  
TT-2012-0317, YI-2012-0635

ACCESS SERVICE

(N)

6. Switched Access Service (Cont'd)

6.8 Rates and Charges (Cont'd)

6.8.2 Switched Transport (Cont'd)

(E) Optional Features (Cont'd)

(6) OptiPoint-3 Configuration Card (Cont'd)

Monthly Rates  
Per Card

(d) Month-to-Month Rates

Zone 1

DS1	\$20.00
DS3	\$80.00
OC3 Concatenated	\$420.00
STS1	\$90.00

Zone 2

DS1	\$30.00
DS3	\$90.00
OC3 Concatenated	\$460.00
STS1	\$100.00

Zone 3

DS1	\$30.00
DS3	\$90.00
OC3 Concatenated	\$480.00
STS1	\$100.00

Zone 4

DS1	\$30.00
DS3	\$100.00
OC3 Concatenated	\$510.00
STS1	\$110.00

(N)

CANCELLED - Missouri Public Service Commission - 07/14/2023 - IN-2023-0447 - YI-2024-0001

ISSUED:  
May 1, 2012

Gary L. Kepley  
Director - Regulatory Operations  
5454 W. 110th Street  
Overland Park, Kansas 66211

EFFECTIVE:  
July 3, 2012

FILED  
Missouri Public  
Service Commission  
TT-2012-0317, YI-2012-0635

ACCESS SERVICE

(N)

6. Switched Access Service (Cont'd)

6.8 Rates and Charges (Cont'd)

6.8.2 Switched Transport (Cont'd)

(E) Optional Features (Cont'd)

(7) OptiPoint-12 Configuration Card

Monthly Rates  
Per Card

(a) 1 Year Commitment Rates

Zone 1

DS1	\$24.00
DS3	\$86.00
OC3	\$178.00
OC3 Concatenated	\$291.00
OC12 Concatenated	\$2,969.00
STS1	\$84.00

Zone 2

DS1	\$26.00
DS3	\$93.00
OC3	\$194.00
OC3 Concatenated	\$317.00
OC12 Concatenated	\$3,236.00
STS1	\$85.00

Zone 3

DS1	\$27.00
DS3	\$98.00
OC3	\$203.00
OC3 Concatenated	\$332.00
OC12 Concatenated	\$3,382.00
STS1	\$88.00

Zone 4

DS1	\$28.00
DS3	\$102.00
OC3	\$213.00
OC3 Concatenated	\$348.00
OC12 Concatenated	\$3,551.00
STS1	\$92.00

(N)

CANCELLED - Missouri Public Service Commission - 07/14/2023 - IN-2023-0447 - YI-2024-0001

ISSUED:  
May 1, 2012

Gary L. Kepley  
Director - Regulatory Operations  
5454 W. 110th Street  
Overland Park, Kansas 66211

EFFECTIVE:  
July 3, 2012

FILED  
Missouri Public  
Service Commission  
TT-2012-0317, YI-2012-0635



ACCESS SERVICE

(N)

6. Switched Access Service (Cont'd)

6.8 Rates and Charges (Cont'd)

6.8.2 Switched Transport (Cont'd)

(E) Optional Features (Cont'd)

(7) OptiPoint-12 Configuration Card (Cont'd)

Monthly Rates  
Per Card

(b) 3 Year Commitment Rates

Zone 1

DS1	\$19.00
DS3	\$68.40
OC3	\$142.50
OC3 Concatenated	\$232.80
OC12 Concatenated	\$2,375.00
STS1	\$61.80

Zone 2

DS1	\$20.70
DS3	\$74.60
OC3	\$155.30
OC3 Concatenated	\$253.80
OC12 Concatenated	\$2,588.80
STS1	\$67.40

Zone 3

DS1	\$21.60
DS3	\$78.00
OC3	\$162.30
OC3 Concatenated	\$265.20
OC12 Concatenated	\$2,705.30
STS1	\$70.40

Zone 4

DS1	\$22.70
DS3	\$81.90
OC3	\$170.40
OC3 Concatenated	\$278.50
OC12 Concatenated	\$2,840.60
STS1	\$73.90

(N)

CANCELLED - Missouri Public Service Commission - 07/14/2023 - IN-2023-0447 - YI-2024-0001

ISSUED:  
May 1, 2012

Gary L. Kepley  
Director - Regulatory Operations  
5454 W. 110th Street  
Overland Park, Kansas 66211

EFFECTIVE:  
July 3, 2012

**FILED**  
**Missouri Public**  
**Service Commission**  
**TT-2012-0317, YI-2012-0635**

ACCESS SERVICE

(N)

6. Switched Access Service (Cont'd)

6.8 Rates and Charges (Cont'd)

6.8.2 Switched Transport (Cont'd)

(E) Optional Features (Cont'd)

(7) OptiPoint-12 Configuration Card (Cont'd)

Monthly Rates  
Per Card

(c) 5 Year Commitment Rates

Zone 1

DS1	\$14.30
DS3	\$57.00
OC3	\$118.80
OC3 Concatenated	\$194.80
OC12 Concatenated	\$2,137.50
STS1	\$57.00

Zone 2

DS1	\$15.60
DS3	\$62.10
OC3	\$129.50
OC3 Concatenated	\$212.30
OC12 Concatenated	\$2,329.90
STS1	\$62.10

Zone 3

DS1	\$16.30
DS3	\$64.90
OC3	\$135.30
OC3 Concatenated	\$221.90
OC12 Concatenated	\$2,434.70
STS1	\$64.90

Zone 4

DS1	\$17.10
DS3	\$68.10
OC3	\$142.10
OC3 Concatenated	\$233.00
OC12 Concatenated	\$2,556.40
STS1	\$68.10

(N)

CANCELLED - Missouri Public Service Commission - 07/14/2023 - IN-2023-0447 - YI-2024-0001

ISSUED:  
May 1, 2012

Gary L. Kepley  
Director - Regulatory Operations  
5454 W. 110th Street  
Overland Park, Kansas 66211

EFFECTIVE:  
July 3, 2012

FILED  
Missouri Public  
Service Commission  
TT-2012-0317, YI-2012-0635

ACCESS SERVICE

(N)

6. Switched Access Service (Cont'd)

6.8 Rates and Charges (Cont'd)

6.8.2 Switched Transport (Cont'd)

(E) Optional Features (Cont'd)

(7) OptiPoint-12 Configuration Card (Cont'd)

	Monthly Rates Per Card
(d) <u>Month-to-Month Rates</u>	
<u>Zone 1</u>	
DS1	\$20.00
DS3	\$80.00
OC3	\$420.00
OC3 Concatenated	\$420.00
OC12 Concatenated	\$750.00
STS1	\$90.00
<u>Zone 2</u>	
DS1	\$30.00
DS3	\$90.00
OC3	\$460.00
OC3 Concatenated	\$460.00
OC12 Concatenated	\$760.00
STS1	\$100.00
<u>Zone 3</u>	
DS1	\$30.00
DS3	\$90.00
OC3	\$480.00
OC3 Concatenated	\$480.00
OC12 Concatenated	\$760.00
STS1	\$100.00
<u>Zone 4</u>	
DS1	\$30.00
DS3	\$100.00
OC3	\$510.00
OC3 Concatenated	\$510.00
OC12 Concatenated	\$770.00
STS1	\$110.00

(N)

ISSUED:  
May 1, 2012

Gary L. Kepley  
Director - Regulatory Operations  
5454 W. 110th Street  
Overland Park, Kansas 66211

EFFECTIVE:  
July 3, 2012

**FILED**  
**Missouri Public**  
**Service Commission**  
**TT-2012-0317, YI-2012-0635**

CANCELLED - Missouri Public Service Commission - 07/14/2023 - IN-2023-0447 - YI-2024-0001

ACCESS SERVICE

(N)

6. Switched Access Service (Cont'd)

6.8 Rates and Charges (Cont'd)

6.8.2 Switched Transport (Cont'd)

(E) Optional Features (Cont'd)

(8) OptiPoint-48 Configuration Card

Monthly Rates  
Per Card

(a) 1 Year Commitment Rates

Zone 1

DS3	\$90.00
OC3	\$350.00
OC12	\$540.00
OC3 Concatenated	\$390.00
OC12 Concatenated	\$620.00
STS1	\$160.00

Zone 2

DS3	\$100.00
OC3	\$370.00
OC12	\$590.00
OC3 Concatenated	\$430.00
OC12 Concatenated	\$670.00
STS1	\$180.00

Zone 3

DS3	\$110.00
OC3	\$390.00
OC12	\$620.00
OC3 Concatenated	\$450.00
OC12 Concatenated	\$710.00
STS1	\$190.00

Zone 4

DS3	\$110.00
OC3	\$410.00
OC12	\$640.00
OC3 Concatenated	\$470.00
OC12 Concatenated	\$740.00
STS1	\$190.00

(N)

CANCELLED - Missouri Public Service Commission - 07/14/2023 - IN-2023-0447 - YI-2024-0001

ISSUED:  
May 1, 2012

Gary L. Kepley  
Director - Regulatory Operations  
5454 W. 110th Street  
Overland Park, Kansas 66211

EFFECTIVE:  
July 3, 2012

FILED  
Missouri Public  
Service Commission  
TT-2012-0317, YI-2012-0635

ACCESS SERVICE

(N)

6. Switched Access Service (Cont'd)

6.8 Rates and Charges (Cont'd)

6.8.2 Switched Transport (Cont'd)

(E) Optional Features (Cont'd)

(8) OptiPoint-48 Configuration Card (Cont'd)

Monthly Rates  
Per Card

(b) 3 Year Commitment Rates

Zone 1

DS3	\$95.00
OC3	\$380.00
OC12	\$570.00
OC3 Concatenated	\$437.00
OC12 Concatenated	\$655.50
STS1	\$152.00

Zone 2

DS3	\$103.60
OC3	\$414.20
OC12	\$621.30
OC3 Concatenated	\$476.30
OC12 Concatenated	\$714.50
STS1	\$165.70

Zone 3

DS3	\$108.30
OC3	\$432.80
OC12	\$649.30
OC3 Concatenated	\$497.70
OC12 Concatenated	\$746.70
STS1	\$173.20

Zone 4

DS3	\$113.70
OC3	\$454.40
OC12	\$681.80
OC3 Concatenated	\$522.60
OC12 Concatenated	\$784.00
STS1	\$181.90

(N)

CANCELLED - Missouri Public Service Commission - 07/14/2023 - IN-2023-0447 - YI-2024-0001

ISSUED:  
May 1, 2012

Gary L. Kepley  
Director - Regulatory Operations  
5454 W. 110th Street  
Overland Park, Kansas 66211

EFFECTIVE:  
July 3, 2012

FILED  
Missouri Public  
Service Commission  
TT-2012-0317, YI-2012-0635

ACCESS SERVICE

(N)

6. Switched Access Service (Cont'd)

6.8 Rates and Charges (Cont'd)

6.8.2 Switched Transport (Cont'd)

(E) Optional Features (Cont'd)

(8) OptiPoint-48 Configuration Card (Cont'd)

Monthly Rates  
Per Card

(c) 5 Year Commitment Rates

Zone 1

DS3	\$76.00
OC3	\$285.00
OC12	\$451.30
OC3 Concatenated	\$327.80
OC12 Concatenated	\$517.80
STS1	\$128.30

Zone 2

DS3	\$82.80
OC3	\$310.70
OC12	\$491.90
OC3 Concatenated	\$357.30
OC12 Concatenated	\$564.40
STS1	\$139.80

Zone 3

DS3	\$86.50
OC3	\$324.70
OC12	\$514.00
OC3 Concatenated	\$373.40
OC12 Concatenated	\$589.80
STS1	\$146.10

Zone 4

DS3	\$90.80
OC3	\$340.90
OC12	\$539.70
OC3 Concatenated	\$392.10
OC12 Concatenated	\$619.30
STS1	\$153.40

(N)

CANCELLED - Missouri Public Service Commission - 07/14/2023 - IN-2023-0447 - YI-2024-0001

ISSUED:  
May 1, 2012

Gary L. Kepley  
Director - Regulatory Operations  
5454 W. 110th Street  
Overland Park, Kansas 66211

EFFECTIVE:  
July 3, 2012

FILED  
Missouri Public  
Service Commission  
TT-2012-0317, YI-2012-0635

ACCESS SERVICE

(N)

RATES AND CHARGES

6. Switched Access Service (Cont'd)

6.8 Rates and Charges (Cont'd)

6.8.2 Switched Transport (Cont'd)

(E) Optional Features (Cont'd)

(8) OptiPoint-48 Configuration Card

Monthly Rates  
Per Card

(d) Month-to-Month Rates

Zone 1

DS3	\$100.00
OC3	\$380.00
OC12	\$600.00
OC3 Concatenated	\$430.00
OC12 Concatenated	\$680.00
STS1	\$170.00

Zone 2

DS3	\$110.00
OC3	\$410.00
OC12	\$650.00
OC3 Concatenated	\$470.00
OC12 Concatenated	\$740.00
STS1	\$190.00

Zone 3

DS3	\$120.00
OC3	\$430.00
OC12	\$680.00
OC3 Concatenated	\$490.00
OC12 Concatenated	\$780.00
STS1	\$200.00

Zone 4

DS3	\$120.00
OC3	\$450.00
OC12	\$710.00
OC3 Concatenated	\$520.00
OC12 Concatenated	\$820.00
STS1	\$210.00

(N)

CANCELLED - Missouri Public Service Commission - 07/14/2023 - IN-2023-0447 - YI-2024-0001

ISSUED:  
May 1, 2012

Gary L. Kepley  
Director - Regulatory Operations  
5454 W. 110th Street  
Overland Park, Kansas 66211

EFFECTIVE:  
July 3, 2012

**FILED**  
**Missouri Public**  
**Service Commission**  
**TT-2012-0317, YI-2012-0635**

ACCESS SERVICE  
RATES AND CHARGES

(N)

6. Switched Access Service (Cont'd)

6.8 Rates and Charges (Cont'd)

6.8.2 Switched Transport (Cont'd)

(E) Optional Features (Cont'd)

	<u>Nonrecurring Charge</u>
(9) OptiPoint-3, 12 & 48 Service Upgrade	
-Per DS1, DS3 or STS1 Upgraded	\$1,000.00
(10) OptiPoint Reconfiguration Charge	
-Per DS3 Equivalent	\$625.00
(11) OptiPoint Regeneration Charge	<u>Monthly Rates</u>
(a) OC3	
- Per Regeneration	
1 Year	\$1,875.00
3 Year	\$1,500.00
5 Year	\$1,300.00
Month-to-Month	\$1,900.00
(b) OC12	
- Per Regeneration	
1 Year	\$3,250.00
3 Year	\$2,600.00
5 Year	\$2,300.00
Month-to-Month	\$3,510.00
(c) OC48	
- Per Regeneration	
1 Year	\$4,800.00
3 Year	\$4,600.00
5 Year	\$4,400.00
Month-to-Month	\$5,000.00

(N)

ISSUED:  
May 1, 2012

Gary L. Kepley  
Director - Regulatory Operations  
5454 W. 110th Street  
Overland Park, Kansas 66211

EFFECTIVE:  
July 3, 2012

**FILED**  
**Missouri Public**  
**Service Commission**  
**TT-2012-0317, YI-2012-0635**

CANCELLED - Missouri Public Service Commission - 07/14/2023 - IN-2023-0447 - YI-2024-0001



Embarq Missouri, Inc.  
d/b/a CenturyLink

Thirteenth Revised Page 267  
Cancels Twelfth Revised Page 267

ACCESS SERVICE

6. Switched Access Service (Cont'd)

6.8 Rates and Charges (Cont'd)

6.8.2 Switched Transport (Cont'd)

(F) Network Blocking Charge

- Per Call\*

Rate Per Call Blocked  
GAR

(G) Installation (Note 2)

- Per Line

- Per Trunk

Nonrecurring  
Charge

\$20.00

\$20.00

6.8.3 Local Switching

	<u>Rate Per Access Minute</u>		
	<u>Originating</u>	<u>Originating</u>	<u>Terminating</u>
	<u>Toll-Free</u>	<u>Non-Toll Free</u>	

(A) LS1 and LS2

**\$0.00000 (R)**    \$0.023617    \$0.000000

(B) End Office to Tandem Rearrangement Charge (Note 2)

A nonrecurring charge as specified below will apply when a customer requests end office or tandem rearrangement of FGD trunks as set forth in 6.7.1(C)(3) preceding.

Per 24 Channels Converted  
or Fraction Thereof

Nonrecurring  
Charge

\$23.45

(C) Dedicated Trunk Port (Note 1)

(a) Per DS0

(b) Per DS1

Monthly Rate

\$ 1.83

\$46.70

Note 1: The End Office Dedicated Trunk Port rate was calculated based upon a 50/50 split between originating and terminating traffic using this flat-rated port. The FCC in their FCC 11-161 ICC Transformation order in section 51.907(d)(1) allowed Price Cap Carriers to use an equal split to divide the charge between originating and terminating elements. When the terminating portion of the rate is reduced and then combined with the originating portion of the rate, a single flat rate is generated for billing purposes. The Originating portion of the DS0 charge is \$1.83 and the Originating portion of the DS1 charge is \$46.70.

Note 2: This flat rated charge was calculated based upon a 50/50 split between originating and terminating. The FCC in their FCC 11-161 ICC Transformation Order in Section 51.907(d)(1) allowed Price Cap Carriers to use an equal split to divide the charge between originating and terminating elements. When the terminating portion of the rate is reduced and then combined with the originating portion of the rate, a single flat rate is generated for billing purposes.

\* Applies to FGD.

ISSUED:  
May 25, 2023

Chantel Miller  
Director - Government Operations  
1120 S Tryon St., Ste. 700  
Charlotte, NC 28203

EFFECTIVE:  
July 1, 2023

ACCESS SERVICE

6. Switched Access Service (Cont'd)

6.8 Rates and Charges (Cont'd)

6.8.2 Switched Transport (Cont'd)

(F) Network Blocking Charge

- Per Call\*

Rate Per Call Blocked  
GAR

(G) Installation (Note 2)

- Per Line

- Per Trunk

Nonrecurring  
Charge

\$20.00

\$20.00

6.8.3 Local Switching

	<u>Rate Per Access Minute</u>		
	<u>Originating</u>	<u>Originating</u>	<u>Terminating</u>
	<u>Toll-Free</u>	<u>Non-Toll Free</u>	

(A) LS1 and LS2

**\$0. 0019915 (R)** \$0. 023617 \$0.000000

(B) End Office to Tandem Rearrangement Charge (Note 2)

A nonrecurring charge as specified below will apply when a customer requests end office or tandem rearrangement of FGD trunks as set forth in 6.7.1(C)(3) preceding.

Per 24 Channels Converted  
or Fraction Thereof

Nonrecurring  
Charge

\$23.45

(C) Dedicated Trunk Port (Note 1)

(a) Per DS0

(b) Per DS1

Monthly Rate

\$ 1.83

\$46.70

Note 1: The End Office Dedicated Trunk Port rate was calculated based upon a 50/50 split between originating and terminating traffic using this flat-rated port. The FCC in their FCC 11-161 ICC Transformation order in section 51.907(d)(1) allowed Price Cap Carriers to use an equal split to divide the charge between originating and terminating elements. When the terminating portion of the rate is reduced and then combined with the originating portion of the rate, a single flat rate is generated for billing purposes. The Originating portion of the DS0 charge is \$1.83 and the Originating portion of the DS1 charge is \$46.70.

Note 2: This flat rated charge was calculated based upon a 50/50 split between originating and terminating. The FCC in their FCC 11-161 ICC Transformation Order in Section 51.907(d)(1) allowed Price Cap Carriers to use an equal split to divide the charge between originating and terminating elements. When the terminating portion of the rate is reduced and then combined with the originating portion of the rate, a single flat rate is generated for billing purposes.

\* Applies to FGD.

ISSUED:  
May 13, 2022

Chantel Bosworth  
Director - Government Operations  
100 CenturyLink Dr.  
Monroe, LA 71203

EFFECTIVE:  
July 1, 2022

MO2022-06

**FILED**  
**Missouri Public**  
**Service Commission**  
**Jl-2022-0257**

ACCESS SERVICE

6. Switched Access Service (Cont'd)

6.8 Rates and Charges (Cont'd)

6.8.2 Switched Transport (Cont'd)

(F) Network Blocking Charge

- Per Call\*

Rate Per Call Blocked  
GAR

(G) Installation (Note 2)

- Per Line

- Per Trunk

Nonrecurring  
Charge

\$20.00

\$20.00

6.8.3 Local Switching

	<u>Rate Per Access Minute</u>		
	<u>Originating</u>	<u>Originating</u>	<u>Terminating</u>
	<u>Toll-Free</u>	<u>Non-Toll Free</u>	

(C)

(A) LS1 and LS2

\$0. 003983 (R) \$0. 023617 \$0.000000

(B) End Office to Tandem Rearrangement Charge (Note 2)

A nonrecurring charge as specified below will apply when a customer requests end office or tandem rearrangement of FGD trunks as set forth in 6.7.1(C)(3) preceding.

Per 24 Channels Converted  
or Fraction Thereof

Nonrecurring  
Charge

\$23.45

(C) Dedicated Trunk Port (Note 1)

(a) Per DS0

(b) Per DS1

Monthly Rate

\$ 1.83

\$46.70

Note 1: The End Office Dedicated Trunk Port rate was calculated based upon a 50/50 split between originating and terminating traffic using this flat-rated port. The FCC in their FCC 11-161 ICC Transformation order in section 51.907(d)(1) allowed Price Cap Carriers to use an equal split to divide the charge between originating and terminating elements. When the terminating portion of the rate is reduced and then combined with the originating portion of the rate, a single flat rate is generated for billing purposes. The Originating portion of the DS0 charge is \$1.83 and the Originating portion of the DS1 charge is \$46.70.

Note 2: This flat rated charge was calculated based upon a 50/50 split between originating and terminating. The FCC in their FCC 11-161 ICC Transformation Order in Section 51.907(d)(1) allowed Price Cap Carriers to use an equal split to divide the charge between originating and terminating elements. When the terminating portion of the rate is reduced and then combined with the originating portion of the rate, a single flat rate is generated for billing purposes.

\* Applies to FGD.

ISSUED:  
May 14, 2021

CANCELLED  
July 1, 2022  
Missouri Public  
Service Commission  
JI-2022-0257

MO2021-06

Chantel Bosworth  
Director - Government Operations  
100 CenturyLink Dr.  
Monroe, LA 71203

EFFECTIVE:  
July 1, 2021

FILED  
Missouri Public  
Service Commission  
JI-2021-0199

ACCESS SERVICE

6. Switched Access Service (Cont'd)

6.8 Rates and Charges (Cont'd)

6.8.2 Switched Transport (Cont'd)

(F) Network Blocking Charge

- Per Call\*

Rate Per Call Blocked  
GAR

(G) Installation (Note 2)

- Per Line

Nonrecurring  
Charge

\$20.00

- Per Trunk

\$20.00

6.8.3 Local Switching

Rate Per Access Minute  
Originating Terminating

(A) LS1 and LS2

\$0.023617 \$0.000000 (R)

(B) End Office to Tandem Rearrangement Charge (Note 2)

A nonrecurring charge as specified below will apply when a customer requests end office or tandem rearrangement of FGD trunks as set forth in 6.7.1(C)(3) preceding.

Per 24 Channels Converted  
or Fraction Thereof

Nonrecurring  
Charge

\$23.45

(C) Dedicated Trunk Port (Note 1)

Monthly Rate

(a) Per DS0

\$ 1.83

(b) Per DS1

\$46.70

Note 1: The End Office Dedicated Trunk Port rate was calculated based upon a 50/50 split between originating and terminating traffic using this flat-rated port. The FCC in their FCC 11-161 ICC Transformation order in section 51.907(d)(1) allowed Price Cap Carriers to use an equal split to divide the charge between originating and terminating elements. When the terminating portion of the rate is reduced and then combined with the originating portion of the rate, a single flat rate is generated for billing purposes. The Originating portion of the DS0 charge is \$1.83 and the Originating portion of the DS1 charge is \$46.70.

Note 2: This flat rated charge was calculated based upon a 50/50 split between originating and terminating. The FCC in their FCC 11-161 ICC Transformation Order in Section 51.907(d)(1) allowed Price Cap Carriers to use an equal split to divide the charge between originating and terminating elements. When the terminating portion of the rate is reduced and then combined with the originating portion of the rate, a single flat rate is generated for billing purposes.

\* Applies to FGD.

ISSUED:  
May 1, 2017

Gary L. Kepley  
Director - Regulatory Operations  
600 New Century Pkwy  
New Century, Kansas 66031

EFFECTIVE:  
July 1, 2017

17-08A

CANCELLED  
July 1, 2021  
Missouri Public  
Service Commission  
JI-2021-0199

FILED  
Missouri Public  
Service Commission  
YI-2017-0229

ACCESS SERVICE

6. Switched Access Service (Cont'd)

6.8 Rates and Charges (Cont'd)

6.8.2 Switched Transport (Cont'd)

(F) Network Blocking Charge

- Per Call\*

Rate Per Call Blocked  
GAR

(G) Installation (Note 2)

- Per Line

Nonrecurring  
Charge

**\$20.00 (R)**

(C)

- Per Trunk

**\$20.00 (R)**

(C)

6.8.3 Local Switching

Rate Per Access Minute  
Originating Terminating

(A) LS1 and LS2

\$0.023617

**\$0.000700 (R)**

(C)

(B) End Office to Tandem Rearrangement Charge (Note 2)

A nonrecurring charge as specified below will apply when a customer requests end office or tandem rearrangement of FGD trunks as set forth in 6.7.1(C)(3) preceding.

Per 24 Channels Converted  
or Fraction Thereof

Nonrecurring  
Charge

**\$23.45 (R)**

(C)

(C) Dedicated Trunk Port (Note 1)

(a) Per DS0

Monthly Rate

**\$ 1.83 (R)**

(C)

(b) Per DS1

**\$46.70 (R)**

(C)

Note 1: The End Office Dedicated Trunk Port rate was calculated based upon a 50/50 split between originating and terminating traffic using this flat-rated port. The FCC in their FCC 11-161 ICC Transformation order in section 51.907(d)(1) allowed Price Cap Carriers to use an equal split to divide the charge between originating and terminating elements. When the terminating portion of the rate is reduced and then combined with the originating portion of the rate, a single flat rate is generated for billing purposes. The Originating portion of the DS0 charge is \$1.83 and the Originating portion of the DS1 charge is \$46.70. (T)

Note 2: This flat rated charge was calculated based upon a 50/50 split between originating and terminating. The FCC in their FCC 11-161 ICC Transformation Order in Section 51.907(d)(1) allowed Price Cap Carriers to use an equal split to divide the charge between originating and terminating elements. When the terminating portion of the rate is reduced and then combined with the originating portion of the rate, a single flat rate is generated for billing purposes. (N)

\* Applies to FGD.

ISSUED:  
April 28, 2016

Gary L. Kepley  
Director - Regulatory Operations  
600 New Century Pkwy  
New Century, Kansas 66031

EFFECTIVE:  
July 1, 2016

16-02A

ACCESS SERVICE

6. Switched Access Service (Cont'd)

6.8 Rates and Charges (Cont'd)

6.8.2 Switched Transport (Cont'd)

(F) Network Blocking Charge

- Per Call\*

Rate Per Call Blocked  
GAR

(G) Installation

- Per Line

Nonrecurring  
Charge

\$40.00

- Per Trunk

\$40.00

6.8.3 Local Switching

Rate Per Access Minute  
Originating Terminating

(A) LS1 and LS2

\$0.023617 **\$0.001630** (R) (C)

(B) End Office to Tandem Rearrangement Charge

A nonrecurring charge as specified below will apply when a customer requests end office or tandem rearrangement of FGD trunks as set forth in 6.7.1(C)(3) preceding.

Per 24 Channels Converted  
or Fraction Thereof

Nonrecurring  
Charge

\$46.90

(C) Dedicated Trunk Port (Note 1)

Monthly Rate

(a) Per DS0

**\$ 2.58** (R) (C)

(b) Per DS1

**\$65.82** (R) (C)

Note 1: The End Office Dedicated Trunk Port rate was calculated assuming a 50/50 split of the originating and terminating traffic using this flat-rated port. The FCC in their FCC 11-161 ICC Transformation order in section 51.907(d)(1) allowed Price Cap Carriers to use an equal split to divide the charge between originating and terminating elements. When the terminating portion of the rate is reduced and then combined with the originating portion of the rate a single flat rate is generated for billing purposes. The Originating portion of the DS0 charge is \$1.83 and the Originating portion of the DS1 charge is \$46.70.

\* Applies to FGD.

ISSUED:  
May 1, 2015

Gary L. Kepley  
Director - Regulatory Operations  
600 New Century Pkwy  
New Century, Kansas 66031

EFFECTIVE:  
July 1, 2015

ACCESS SERVICE

6. Switched Access Service (Cont'd)

6.8 Rates and Charges (Cont'd)

6.8.2 Switched Transport (Cont'd)

(F) Network Blocking Charge

- Per Call\*

Rate Per Call Blocked  
GAR

(G) Installation

- Per Line

Nonrecurring  
Charge

\$40.00

- Per Trunk

\$40.00

6.8.3 Local Switching

Rate Per Access Minute  
Originating Terminating

(A) **LS1 and LS2**

\$0.023617 **\$0.002158 (R)**

(C)(T)

(D)

(B) End Office to Tandem Rearrangement Charge

(T)

A nonrecurring charge as specified below will apply when a customer requests end office or tandem rearrangement of FGD trunks as set forth in 6.7.1(C)(3) preceding.

Per 24 Channels Converted  
or Fraction Thereof

Nonrecurring  
Charge

\$46.90

(C) Dedicated Trunk Port (Note 1)

Monthly Rate

(T)

(a) Per DS0

\$3.66

(b) Per DS1

\$93.40

Note 1: The End Office Dedicated Trunk Port rate was calculated assuming a 50/50 split of the originating and terminating traffic using this flat-rated port. The FCC in their FCC 11-161 ICC Transformation order in section 51.907(d)(1) allowed Price Cap Carriers to use an equal split to divide the charge between originating and terminating elements. When the terminating portion of the rate is reduced and then combined with the originating portion of the rate a single flat rate is generated for billing purposes. The Originating portion of the DS0 charge is \$1.83 and the Originating portion of the DS1 charge is \$46.70.

(N)

(N)

\* Applies to FGD.

ISSUED:  
May 1, 2014

Gary L. Kepley  
Director - Regulatory Operations  
5454 W. 110th Street  
Overland Park, Kansas 66211

EFFECTIVE:  
July 1, 2014

CANCELED  
July 1, 2015  
Missouri Public  
Service Commission  
JI-2015-0313

FILED  
Missouri Public  
Service Commission  
JI-2014-0438

ACCESS SERVICE

6. Switched Access Service (Cont'd)

6.8 Rates and Charges (Cont'd)

6.8.2 Switched Transport (Cont'd)

(F) Network Blocking Charge

Rate Per Call Blocked

- Per Call\* GAR (C)

(G) Installation

Nonrecurring Charge

- Per Line \$40.00

- Per Trunk \$40.00

6.8.3 Local Switching

Rate Per Access Minute  
Originating Terminating

Premium Rate (LS1 & LS2) \$0.023617 \$0.003983 (R) (C)

Transitional Rate 0.000000 (R) 0.000000 (R) (C)

(A) End Office to Tandem Rearrangement Charge

A nonrecurring charge as specified below will apply when a customer requests end office or tandem rearrangement of FGD trunks as set forth in 6.7.1(C)(3) preceding.

Nonrecurring Charge

Per 24 Channels Converted  
or Fraction Thereof \$46.90 (R)

(B) Dedicated Trunk Port

Monthly Rate

(a) Per DS0 \$3.66

(b) Per DS1 \$93.40

(C)  
(N)  
|  
(N)

\* Applies to FGD.

ISSUED:  
May 1, 2013

Gary L. Kepley  
Director - Regulatory Operations  
5454 W. 110th Street  
Overland Park, Kansas 66211

EFFECTIVE:  
July 2, 2013



ACCESS SERVICE

6. Switched Access Service (Cont'd)

6.8 Rates and Charges (Cont'd)

6.8.2 Switched Transport (Cont'd)

(F) Network Blocking Charge

Rate Per Call Blocked

(T)

- Per Call\*

ICB

(G) Installation

Nonrecurring  
Charge

- Per Line

\$40.00

- Per Trunk

\$40.00

6.8.3 Local Switching

Rate Per Access Minute  
Originating   Terminating

(C)

\$0.023617   \$0.023617

(C)

(A) End Office to Tandem Rearrangement Charge

A nonrecurring charge as specified below will apply when a customer requests end office or tandem rearrangement of FGD trunks as set forth in 6.7.1(C)(3) preceding.

Nonrecurring  
Charge

Per 24 Channels Converted  
or Fraction Thereof

\$56.45

\* Applies to FGD.

ISSUED:  
May 1, 2012

Gary L. Kepley  
Director - Regulatory Operations  
5454 W. 110th Street  
Overland Park, Kansas 66211

FILED  
Missouri Public  
Service Commission  
TT-2012-0317, YI-2012-0635

EFFECTIVE:  
July 3, 2012

ACCESS SERVICE

6. Switched Access Service (Cont'd)

6.8 Rates and Charges (Cont'd)

6.8.2 Local Transport (Cont'd)

(C) Network Blocking Charge

Rate Per Call Blocked

- Per Call\*\* ICB

6.8.3 Local Switching

Rate  
Per Access Minute

\$.023617

(A) End Office to Tandem Rearrangement Charge

A nonrecurring charge as specified below will apply when a customer requests end office or tandem rearrangement of FGD trunks as set forth in 6.7.1 (C) (3) preceding.

- Per 24 Channels Converted  
or Fraction Thereof

Nonrecurring  
Charge

\$56.45

\*\* Applies to FGD.

(T)

ISSUED:  
March 30, 2007

Mark D. Harper  
Director - State Regulatory  
5454 W. 110th Street  
Overland Park, Kansas 66211

EFFECTIVE:  
April 30, 2007

SPRINT MISSOURI, INC.  
d/b/a SPRINT

Third Revised Page 267  
Cancels Second Revised Page 267

ACCESS SERVICE

Missouri Public

6. Switched Access Service (Cont'd)

REC'D OCT 25 2002

6.8 Rates and Charges (Cont'd)

Service Commission

6.8.2 Local Transport (Cont'd)

(C) Network Blocking Charge

Rate Per Call Blocked

- Per Call\*\*

ICB

6.8.3 Local Switching

Rate  
Per Access Minute

\$ .023617

(1)

(A) End Office to Tandem Rearrangement Charge

A nonrecurring charge as specified below will apply when a customer requests end office or tandem rearrangement of FGD trunks as set forth in 6.7.1 (C) (3) preceding.

- Per 24 Channels Converted  
or Fraction Thereof

Nonrecurring  
Charge

\$56.45

ISSUED:  
October 25, 2002

Richard D. Lawson  
State Executive, External Affairs  
319 Madison  
Jefferson City, MO 65101  
Missouri Public  
Service Commission  
IT-03-0170

EFFECTIVE:  
~~December 18, 2002~~

DEC 18 2002

FILED DEC 18 2002

SPRINT MISSOURI, INC.  
d/b/a SPRINT

Second Revised Page 267  
Cancels First Revised Page 267

ACCESS SERVICE

**Missouri Public  
Service Commission**

6. Switched Access Service (Cont'd)

REC'D MAY 03 2000

6.8 Rates and Charges (Cont'd)

6.8.2 Local Transport (Cont'd)

(C) Network Blocking Charge

Rate Per Call Blocked

- Per Call\*\*

ICB

6.8.3 Local Switching

Rate  
Per Access Minute

.022823

**CANCELLED**

DEC 18 2002

*3rd R 5267*  
**Public Service Commission  
MISSOURI**

(A) End Office to Tandem Rearrangement Charge

A nonrecurring charge as specified below will apply when a customer requests end office or tandem rearrangement of FGD trunks as set forth in 6.7.1 (C) (3) preceding.

- Per 24 Channels Converted  
or Fraction Thereof

Nonrecurring  
Charge (C)

\$56.45 (C)

**Missouri Public  
Service Commission**

FILED JUN 02 2000

ISSUED:  
May 3, 2000

Richard D. Lawson  
State Executive, External Affairs

EFFECTIVE:  
June 2, 2000

RECEIVED

ACCESS SERVICE

6. Switched Access Service (Cont'd)

NOV 2 1993

6.8 Rates and Charges (Cont'd)

MO. PUBLIC SERVICE COMM.

6.8.2 Local Transport (Cont'd)

(C) Network Blocking Charge

Rate Per Call Blocked

- Per Call\*\*

ICB

6.8.3 Local Switching

Rate  
Per Access Minute

.022823

End Office to Tandem Rearrangement Charge

A nonrecurring charge(s) as specified below will apply when a customer requests end office or tandem rearrangement of FGD trunks as set forth in 6.7.1(C)(3) preceding.

- Per 24 Channels converted  
Or Fraction Thereof

Nonrecurring  
Rate

USOC

EOTRC

\$56.45

**CANCELLED**

JUN 02 2000  
By *2nd RP 267*  
Public Service Commission  
MISSOURI

**FILED**

NOV 7 1993  
93 - 181  
MO. PUBLIC SERVICE COMM.

ISSUED:  
November 3, 1993

BY: John L. Roe  
Vice President - Administration  
5454 West 110th Street  
Overland Park, Kansas 66211

EFFECTIVE:  
November 7, 1993

UNITED TELEPHONE COMPANY  
OF MISSOURI

Original Page 267

ACCESS SERVICE

RECEIVED

SEP 17 1992

6. Switched Access Service (Cont'd)

6.8 Rates and Charges (Cont'd)

MO. PUBLIC SERVICE COMMISSION

6.8.2 Local Transport (Cont'd)

(C) Network Blocking Charge

Rate Per Call Blocked

- Per Call\*\*

ICB

6.8.3 End Office

(A) Local Switching

Premium Rates

Rate  
Per Access Minute

LS1 - Originating and  
Terminating Feature  
Group A and  
Feature Group B

except for Feature  
Groups A and B  
terminating calls  
to WATS Access Line  
Service

\$.0048

\*\*Applies to FGD.

**CANCELLED**

NOV 7 1993  
BY *1st R.S #267*  
Public Service Commission  
MISSOURI

NOV 7 1992

1.1.

ISSUED:  
September 17, 1992

BY: John L. Roe  
Vice President - Administration  
5454 West 110th Street  
Overland Park, Kansas 66211

EFFECTIVE:

**NOV 7 1992**

ACCESS SERVICE

6. Switched Access Service (Cont'd)

6.8 Rates and Charges (Cont'd)

6.8.3 Local Switching (Cont'd)

(D) Carrier Selection Parameter Charge (Note 1)

A nonrecurring charge will apply when a customer requests the Carrier Selection Parameter optional feature described in 6.3(GG) preceding. This charge does not apply if the feature is installed coincident with the initial installation of a service.

Nonrecurring Charge Per End Office Equipped \$7.80

	<u>Rate Per Access Minute</u>		
	<u>Originating Toll-Free</u>	<u>Originating Non-Toll Free</u>	<u>Terminating</u>

(E) Common/Shared Trunk Port	<b>\$0.00000(R)</b>	\$0.000498	\$0.000000
------------------------------	---------------------	------------	------------

6.8.4 TFC Access Service

(A) TFC Access Service Data Base Query

Rate

- per query **\$0.0002** (R)

(B) TFC Data Base Optional Service Features\*

- per query \$0.000000

6.8.5 900 Access Service

Nonrecurring  
Charge

Assembly of Router Pattern

- Per end office switch (including end office Collocated with access tandem) \$32.80

900 NXX Code Activation or Deactivation

- Per NXX Code added or deleted per end office \$10.90

6.8.6 Reserved For Future Use

Note 1: This flat rated charge was calculated based upon a 50/50 split between originating and terminating. The FCC in their FCC 11-161 ICC Transformation Order in Section 51.907(d)(1) allowed Price Cap Carriers to use an equal split to divide the charge between originating and terminating elements. When the terminating portion of the rate is reduced and then combined with the originating portion of the rate, a single flat rate is generated for billing purposes.

\* When a combination of one or more TFC Data Base Optional Service Features is used, only one charge will apply.

ISSUED:  
May 25, 2023

Chantel Miller  
Director - Government Operations  
1120 S Tryon St., Ste. 700  
Charlotte, NC 28203

EFFECTIVE:  
July 1, 2023

ACCESS SERVICE

6. Switched Access Service (Cont'd)

6.8 Rates and Charges (Cont'd)

6.8.3 Local Switching (Cont'd)

(D) Carrier Selection Parameter Charge (Note 1)

A nonrecurring charge will apply when a customer requests the Carrier Selection Parameter optional feature described in 6.3(GG) preceding. This charge does not apply if the feature is installed coincident with the initial installation of a service.

Nonrecurring Charge Per End Office Equipped \$7.80

	<u>Rate Per Access Minute</u>		
	<u>Originating Toll-Free</u>	<u>Originating Non-Toll Free</u>	<u>Terminating</u>

(E) Common/Shared Trunk Port	<b>\$0.000249(R)</b>	\$0.000498	\$0.000000
------------------------------	----------------------	------------	------------

6.8.4 TFC Access Service

(A) TFC Access Service Data Base Query

Rate

- per query **\$0.002224** (R)

(B) TFC Data Base Optional Service Features\*

- per query \$0.000000

6.8.5 900 Access Service

Nonrecurring  
Charge

Assembly of Router Pattern

- Per end office switch (including end office  
Collocated with access tandem) \$32.80

900 NXX Code Activation or Deactivation

- Per NXX Code added or deleted per end office \$10.90

6.8.6 Reserved For Future Use

Note 1: This flat rated charge was calculated based upon a 50/50 split between originating and terminating. The FCC in their FCC 11-161 ICC Transformation Order in Section 51.907(d)(1) allowed Price Cap Carriers to use an equal split to divide the charge between originating and terminating elements. When the terminating portion of the rate is reduced and then combined with the originating portion of the rate, a single flat rate is generated for billing purposes.

\* When a combination of one or more TFC Data Base Optional Service Features is used, only one charge will apply.

ISSUED:  
May 13, 2022

Chantel Bosworth  
Director - Government Operations  
100 CenturyLink Dr.  
Monroe, LA 71203

EFFECTIVE:  
July 1, 2022

MO2022-06

**FILED**  
**Missouri Public**  
**Service Commission**  
**JI-2022-0257**



ACCESS SERVICE

6. Switched Access Service (Cont'd)

6.8 Rates and Charges (Cont'd)

6.8.3 Local Switching (Cont'd)

(D) Carrier Selection Parameter Charge (Note 1)

A nonrecurring charge will apply when a customer requests the Carrier Selection Parameter optional feature described in 6.3(GG) preceding. This charge does not apply if the feature is installed coincident with the initial installation of a service.

Nonrecurring Charge Per End Office Equipped \$7.80

	<u>Rate Per Access Minute</u>			
	<u>Originating</u>	<u>Originating</u>	<u>Terminating</u>	
	<u>Toll-Free</u>	<u>Non-Toll Free</u>		(C)

(E) Common/Shared Trunk Port	\$0.000498	\$0.000498	\$0.000000	
------------------------------	------------	------------	------------	--

6.8.4 TFC Access Service

(A) TFC Access Service Data Base Query

Rate

- per query **\$0.004248** (R)

(B) TFC Data Base Optional Service Features\*

- per query **\$0.000000** (R)

6.8.5 900 Access Service

Nonrecurring  
Charge

Assembly of Router Pattern

- Per end office switch (including end office Collocated with access tandem) \$32.80

900 NXX Code Activation or Deactivation

- Per NXX Code added or deleted per end office \$10.90

6.8.6 Reserved For Future Use

Note 1: This flat rated charge was calculated based upon a 50/50 split between originating and terminating. The FCC in their FCC 11-161 ICC Transformation Order in Section 51.907(d)(1) allowed Price Cap Carriers to use an equal split to divide the charge between originating and terminating elements. When the terminating portion of the rate is reduced and then combined with the originating portion of the rate, a single flat rate is generated for billing purposes.

\* When a combination of one or more TFC Data Base Optional Service Features is used, only one charge will apply.

ISSUED:  
May 14, 2021

Chantel Bosworth  
Director - Government Operations  
100 CenturyLink Dr.  
Monroe, LA 71203

EFFECTIVE:  
July 1, 2021

MO2021-06  
CANCELLED  
July 1, 2022  
Missouri Public  
Service Commission  
JI-2022-0257

FILED  
Missouri Public  
Service Commission  
JI-2021-0199

ACCESS SERVICE

6. Switched Access Service (Cont'd)

6.8 Rates and Charges (Cont'd)

6.8.3 Local Switching (Cont'd)

(D) Carrier Selection Parameter Charge (Note 1)

A nonrecurring charge will apply when a customer requests the Carrier Selection Parameter optional feature described in 6.3(GG) preceding. This charge does not apply if the feature is installed coincident with the initial installation of a service.

Nonrecurring Charge Per End Office Equipped **\$7.80 (R) (C)**

	<u>Rate Per Access Minute</u>
	<u>Originating      Terminating</u>

(E) Common/Shared Trunk Port \$0.000498 **\$0.000000 (R) (C)**

6.8.4 TFC Access Service

(A) TFC Access Service Data Base Query Rate  
- per query \$0.015028

(B) TFC Data Base Optional Service Features\*  
- per query \$0.001567

6.8.5 900 Access Service Nonrecurring Charge

Assembly of Router Pattern  
- Per end office switch (including end office Collocated with access tandem) \$32.80

900 NXX Code Activation or Deactivation  
- Per NXX Code added or deleted per end office \$10.90

6.8.6 Reserved For Future Use

Note 1: This flat rated charge was calculated based upon a 50/50 split between originating and terminating. The FCC in their FCC 11-161 ICC Transformation Order in Section 51.907(d)(1) allowed Price Cap Carriers to use an equal split to divide the charge between originating and terminating elements. When the terminating portion of the rate is reduced and then combined with the originating portion of the rate, a single flat rate is generated for billing purposes. (N)

\* When a combination of one or more TFC Data Base Optional Service Features is used, only one charge will apply.

ISSUED:  
April 28, 2016

Gary L. Kepley  
Director - Regulatory Operations  
600 New Century Pkwy  
New Century, Kansas 66031

EFFECTIVE:  
July 1, 2016

~~CANCELLED~~  
July 1, 2021  
Missouri Public  
Service Commission  
JI-2021-0199

FILED  
Missouri Public  
Service Commission  
YI-2016-0294

ACCESS SERVICE

6. Switched Access Service (Cont'd)

6.8 Rates and Charges (Cont'd)

6.8.3 Local Switching (Cont'd)

(D) Carrier Selection Parameter Charge

A nonrecurring charge will apply when a customer requests the Carrier Selection Parameter optional feature described in 6.3(GG) preceding. This charge does not apply if the feature is installed coincident with the initial installation of a service.

Nonrecurring Charge Per End Office Equipped \$15.60

	<u>Rate Per Access Minute</u>
	<u>Originating</u> <u>Terminating</u>

(E) Common/Shared Trunk Port	\$0.000498	<b>\$0.000204</b> (R)	(C)
------------------------------	------------	-----------------------	-----

6.8.4 TFC Access Service

(A) TFC Access Service Data Base Query	<u>Rate</u>
- per query	\$0.015028

(B) TFC Data Base Optional Service Features*	
- per query	\$0.001567

6.8.5 900 Access Service

Assembly of Router Pattern	<u>Nonrecurring Charge</u>
- Per end office switch (including end office Collocated with access tandem)	\$32.80
900 NXX Code Activation or Deactivation	
- Per NXX Code added or deleted per end office	\$10.90

6.8.6 Reserved For Future Use

\* When a combination of one or more TFC Data Base Optional Service Features is used, only one charge will apply.

ISSUED:  
May 1, 2015

Gary L. Kepley  
Director - Regulatory Operations  
600 New Century Pkwy  
New Century, Kansas 66031

EFFECTIVE:  
July 1, 2015

15-06A

ACCESS SERVICE

6. Switched Access Service (Cont'd)

6.8 Rates and Charges (Cont'd)

6.8.3 Local Switching (Cont'd)

(D) Carrier Selection Parameter Charge (T)

A nonrecurring charge will apply when a customer requests the Carrier Selection Parameter optional feature described in 6.3(GG) preceding. This charge does not apply if the feature is installed coincident with the initial installation of a service.

Nonrecurring Charge Per End Office Equipped \$15.60

		<u>Rate Per Access Minute</u>		
		<u>Originating</u>	<u>Terminating</u>	(T)

(E)	Common/Shared Trunk Port	\$0.000498	\$0.000498	(T)
-----	--------------------------	------------	------------	-----

6.8.4 TFC Access Service

(A)	TFC Access Service Data Base Query	<u>Rate</u>
	- per query	\$0.015028

(B)	TFC Data Base Optional Service Features*	
	- per query	\$0.001567

6.8.5 900 Access Service

	Assembly of Router Pattern	<u>Nonrecurring Charge</u>
-	Per end office switch (including end office Collocated with access tandem)	\$32.80
	900 NXX Code Activation or Deactivation	
-	Per NXX Code added or deleted per end office	\$10.90

6.8.6 Reserved For Future Use

\* When a combination of one or more TFC Data Base Optional Service Features is used, only one charge will apply.

ISSUED:  
May 1, 2014

Gary L. Kepley  
Director - Regulatory Operations  
5454 W. 110th Street  
Overland Park, Kansas 66211

EFFECTIVE:  
July 1, 2014

CANCELED  
July 1, 2015  
Missouri Public  
Service Commission  
JI-2015-0313

FILED  
Missouri Public  
Service Commission  
JI-2014-0438

ACCESS SERVICE

6. Switched Access Service (Cont'd)

6.8 Rates and Charges (Cont'd)

6.8.3 Local Switching (Cont'd)

(C) Carrier Selection Parameter Charge

(N)

A nonrecurring charge will apply when a customer requests the Carrier Selection Parameter optional feature described in 6.3(GG) preceding. This charge does not apply if the feature is installed coincident with the initial installation of a service.

Nonrecurring Charge Per End Office Equipped \$15.60

(N)

(D) Common Trunk Port

\$0.000498

(M)

6.8.4 TFC Access Service

(A) TFC Access Service Data Base Query

Rate

- per query \$0.015028

(B) TFC Data Base Optional Service Features\*

- per query \$0.001567

6.8.5 900 Access Service

Nonrecurring  
Charge

Assembly of Router Pattern

- Per end office switch (including end office Collocated with access tandem) \$32.80

900 NXX Code Activation or Deactivation

- Per NXX Code added or deleted per end office \$10.90

6.8.6 Reserved For Future Use

\* When a combination of one or more TFC Data Base Optional Service Features is used, only one charge will apply.

(M) Material previously appeared on Page 263.12.

ISSUED:  
May 1, 2013

Gary L. Kepley  
Director - Regulatory Operations  
5454 W. 110th Street  
Overland Park, Kansas 66211

EFFECTIVE:  
July 2, 2013

ACCESS SERVICE

6. Switched Access Service (Cont'd)

6.8 Rates and Charges (Cont'd)

6.8.4 TFC Access Service

- (A) TFC Access Service Data Base Query  
- per query

Rate

\$0.015028

- (B) TFC Data Base Optional Service Features\*  
- per query

Rate

\$0.001567

6.8.5 900 Access Service

- Assembly of Router Pattern  
- Per end office switch  
(including end office  
collocated with access  
tandem)

Nonrecurring  
Charge

\$32.80

900 NXX Code Activation or Deactivation

- Per NXX Code added or deleted per end office

Nonrecurring  
Charge

\$10.90

6.8.6 Reserved For Future Use

\* When a combination of one or more TFC Data Base Optional Service Features is used, only one charge will apply.

ISSUED:  
March 30, 2007

Mark D. Harper  
Director - State Regulatory  
5454 W. 110th Street  
Overland Park, Kansas 66211

EFFECTIVE:  
April 30, 2007

SPRINT MISSOURI, INC.  
d/b/a SPRINT

Eighth Revised Page 268  
Cancels Seventh Revised Page 268

ACCESS SERVICE

Missouri Public

6. Switched Access Service (Cont'd)

REC'D JAN 07 2002

6.8 Rates and Charges (Cont'd)

6.8.4 TFC Access Service

St;H'VICE: Cotnrrn fSSION

(A) TFC Access Service Data Base Query  
per query

Rate  
\$0.015028

(B) TFC Data Base Optional Service Features"  
per query

Rate  
\$0.001567

6.8.5 900 Access Service

Assembly of Router Pattern

Nonrecurring  
Charge

Per end office switch  
(including end office  
collocated with access  
tandem)

\$32.80

900 NXX Code Activation or Deactivation

Per NXX Code *added or deleted per end office*

(T)

Nonrecurring  
Charge  
\$10.90

6.8.6 Reserved For Future Use

(C)

(D)

|

(D)

When a combination of one or more TFC Data Base Optional Service Features is used, only one charge will apply.

Missouri Public

FILED FEB 07 2002

Service Commission

ISSUED:  
January 7, 2002

Richard D. lawson  
State Executive, External Affairs  
319 Madison  
Jefferson City, MO 65101

EFFECTIVE:  
February 7, 2002

SPRINT MISSOURI, INC.  
d/b/a SPRINT

Seventh Revised Page 268  
Cancels Sixth Revised Page 268

ACCESS SERVICE

**Missouri Public**

6. Switched Access Service (Cont'd)

REC'D OCT 26 2001

6.8 Rates and Charges (Cont'd)

**Service Commission**

6.8.4 TFC Access Service

(A) TFC Access Service Data Base Query  
per query

\$0.015028 (/)

(B) TFC Data Base Optional Service Features\*  
per query

\$0.001567 (/)

6.8.5 900 Access Service

Assembly of Router Pattern

Nonrecurring  
Charge

Per end office switch  
(including end office  
collocated with access  
tandem)

\$32.80

900 NXX Code Activation or Deactivation

Per NXX Code Activation or Deactivation

Nonrecurring  
Charge

\$10.90

6.8.6 Information Surcharge

Rate Per  
Access Minute

\$0.0000

\* When a combination of one or more TFC Data Base Optional Service Features is used, only one charge will apply.

**CANCEL.1 !'**

FEB 07 2002

1/ W f- p o C  
Public Service ComrmsSlon  
MISSOURI

ISSUED:  
October 26, 2001

Richard D. Lawson  
State Executive, External Affairs  
319 Madison  
Jefferson City, MO 65101

EFFECTIVE  
**Missouri Public**  
December 11, 2001

FILED DEC 11 2001

**02-25.1,**  
service CommiSSIon



SPRINT MISSOURI, INC.  
d/b/a SPRINT

Sixth Revised Page 268  
Cancels Fifth Revised Page 268

ACCESS SERVICE

M\so9lJrl Public.  
serv !!!'g ;: mml oton

REC'D OCT 27 2000

6. Switched Access Service (Cont'd)

6.8 Rates and Charges (Conl'd)

6.8.4 TFC Access Service

(A) TFC Access Service Data Base Query  
per query

\$0.012885

(B) TFC Data Base Optional Service Features  
per query

Rate

\$0.001344

6.8.5 900 Access Service

Assembly of Router Pattern

Nonrecurring  
Charge

(T)  
(T)

Per end office switch  
(including end office  
collocated with access  
tandem)

\$32.80

(T)

900 NXX Code Activation or Deactivation

Per NXX Code Activation or Deactivation

Nonrecurring  
Charge

\$10.90

6.8.6 Infonnation Surcharge

Rate Per  
Access Minute

\$0.0000

(R)

- When a combination of one or more TFC Data Base Optional Service Features is used, only one charge will apply.

**CANCELLED**

DEC 11 2001

Public Ser.i, oT'";;Jon

M\so9lJrl Pu'Qic,  
serv ce o' Jommtee1on

F\B) D&C 11 ZU110

ISSUED: October 27,2000  
October 27, 2000

MIS 9ioc ard D. Lawson  
State Executive. External Affairs  
319 Madison  
Jefferson City, MO 65101

EFFECTIVE:  
December 11, 2000

SPRINT MISSOURI, INC.  
d/b/a SPRINT

Fifth Revised Page 268  
Cancels Fourth Revised Page 268

ACCESS SERVICE

Missouri Public  
Service Commission

6. Switched Access Service (Cont'd)

REC'D MAY 03 2000

6.8 Rates and Charges (Cont'd)

6.8.4 TFC Access Service

(A) TFC Access Service Data Base Query  
per query

Rate (C)  
\$0.012885 (C)

(B) TFC Data Base Optional Service Features\*  
per query

Rate (C)  
\$0.001344 (C)

6.8.5 900 Access Service

Assembly of Router Pattern

CANCELLED (T)

Per end office switch  
{including end office  
collocated with access  
tandem)

DEC 11 2000

Missouri Public  
Service Commission  
MISSOURI

Nonrecurring  
Charge (C)  
\$32.80 (C)

900 NXX Code Activation or Deactivation (T)

Per NXX Code Activation or Deactivation (T)

Nonrecurring  
Charge (C)  
\$10.90 (C)

6.8.6 Information Surcharge

Rate Per  
Access Minute  
\$.0004

\* When a combination of one or more TFC Data Base Optional Service Features is used, only one charge will apply.

Missouri Public  
Service Commission

FILED JUN 02 2000

ISSUED:  
May 3, 2000

Richard D. Lawson  
State Executive, External Affairs

EFFECTIVE:  
June 2, 2000

ACCESS SERVICE

**RECEIVED**

6. Switched Access Service (Cont'd)

W/R 27 1996

6.8 Rates and Charges (Cont'd)

6.8.4 TFC Access Service

MISSOURI (1)  
Public Service Commission (1)

(A) TFC Access Service Data Base Query  
- per query

USOC

8DBQC \$0.012885

(B) TFC Data Base Optional Service Features\*  
- per query

USOC

8DBOF \$0.001344

6.8.5 900 Access Service

Additions or deletions of 900 NXX codes routed to a customer

- Per Telephone Company end office switch (including end office collocated with access tandem)

Assembly of Route Pattern - applies only on initial request for 900 Access Service in a state, LATA or **access tandem**

USOC

**Nonrecurring Charge**

9RP \$32.80

**CANCELLED**

- Per Telephone access tandem or end office switch providing six digit screening

Activation or deactivation of each 900 NXX code **contained in the same request per access tandem or screening end office**

USOC

**Nonrecurring Charge**

ADNX9 \$10.90

6.8.6 Information Surcharge

Rate Per  
**Access Minute**

**FILED**

\$0.0004

\* When a combination of one or more TFC Data Base Optional Service Features is used, only one charge will apply. APR 29 1996 (T)

MC.PUBLICSERVICECOM

ISSUED:  
March 27, 1996

BY: John L. Roe  
Vice President - Carrier and Regulatory Services  
5454 West 110th Street  
Overland Park, Kansas 66211

EFFECTIVE:  
April 29, 1996

UNITED TELEPHONE COMPANY  
OF MISSOURI

Third Revised Page 268  
Cancels Second Revised Page 268

ACCESS SERVICE

6. Switched Access Service (Cont'd)

**RECEIVED**

6.8 Rates and Charges (Cont'd)

11<C> 111995

6.8.4 800 Access Service

**MO.PUBLICSERVICECOMM.**

(A) 800 Access **Service Data Base Query**  
- per query

USOC

8DBQC \$0.012885

(B) 800 Data Base Optional Service Features\*  
- per query

USOC

Rate

8DBOF \$0.001344

6.8.5 900 Access Service

(c)

Additions or deletions of 900 NXX codes routed to a customer (N)

- Per Telephone Company end office switch (including end office collocated with access tandem)

Assembly of Route Pattern - applies only on initial request for 900 Access Service in a state, LATA or access tandem

USOC

**Nonrecurring Charge**

9RP \$32.80

- Per Telephone access tandem or end office switch providing six digit screening

Activation or deactivation of each 900 NXX code contained in the same request screening end office per access tan ( { 1 } )

**Nonrecurring Charge**

ADNX9 \$10.90

P.PR 29 i9S6 (N),.

tL R. s.-f-?JLr-

B'<...:L . commiss1c.

6.8.6 Information Surcharge

Rate P r public OUP.I  
Access M1nute N, v

\$ .0004

\* When a combination of one or more 800 Data Base Optional Ser. Features is used, only one charge will apply. JLED vt=1

**FEB 111995**

MISSOURI  
Public Service CommiSSiOn

EFFECTIVE:

ISSUE DATE:  
January 11, 1995

February 11, 1995

BY: John L. Roe  
Vice President - Carrier and Regulatory Services  
5454 West 110th Street  
Overland Park, Kansas 66211

ACCESS SERVICE

U.S. 9  
U. bv-

6. Switched Access Service (Cont'd)

NOV 2 1993

6.B Rates and Charges (Cont'd)

MO.PiBUCSffij!CcCijfuli:l.( 0 J

6.B.4 BOO Access Service

{D)  
(M)

(A) BOO Access Service Data Base Query  
- per query

USOC	Rate
BDBQC	\$0.012BB5

(B) BOO Data Base Optional Service **Features\***  
- per query

USOC	Rate
BDBOF	\$0.001344

6.B.5 Reserved for Future Use

6.B.6 Information Surcharge

Rate Per  
Access Minute

\$.0004

(M)

CANCELLED

FEB 11 1995  
BY 3rd R.S. #268  
Public Service Commission  
MISSOURI

FILED

vZ 1 19  
MO. PUBUCSERVICECOMM.

\* used, only one charge will apply.  
When a combination of one or more 800 Data Base Optional Service Features is

(M)  
(M)

November 7, 1993

ACCESS SERVICE

6. Switched Access Service (Cont'd)

6.8 Rates and Charges (Cont'd)

6.8.3 End Office (Cont'd)

(A) Local Switching (Cont'd)

R!Etn!E IED

MAR 311993

MO. PUBLIC SERVICE COMM.

Premium Rates

Rate  
Per Access Minute

LS2 - Originating and  
Terminating Feature  
Group C and Feature  
Group D

and for Feature Groups  
A and B terminating  
calls to WATS Access  
**Line Service**

\$.0074

**CANCELLED**

NOV 7 1993  
BY *g. r. s.* # 268  
Public Service Commission  
MISSOURI

End Office to Tandem Rearrangement Charge

( )

A nonrecurring charge(s) as specified below will apply when a customer requests end office or tandem rearrangement of FGD trunks as set forth in 6.7.1(C)(3) preceding.

- Per 24 Channels converted  
Or Fraction Thereof

**Nonrecurring**  
Rate

EOTRC

\$56.45

( )

**FILED**

MAY 0 11993

MO. IJ3UC SERVICE CO. qr,7•

ISSUED:  
March 31, 1993

BY: John L. Roe  
**Vice President - Administration**  
5454 West 110th Street  
Overland Park, Kansas 66211

EFFECTIVE:  
May 1, 1993

ACCESS SERVICE

6. Switched Access Service (Cont'd)

6.8 Rates and Charges (Cont'd)

6.8.3 End Office (Cont'd)

(A) Local Switching (Cont'd)

RECEIVED

SEP 17 1992

MO. PUBLIC SERVICE COM.

	Rate
<u>Premium Rates</u>	Per Access Minute

LS2 - Originating and  
Terminating Feature  
Group C and Feature  
Group D

and for Feature Groups  
A and B terminating  
calls to WATS Access  
Line Service

\$.0074

**CANCELLED**

MAY 1 1993

BY 1st R.S. # 268

Public Service Commission  
MISSOURI

ISSUED:

BY: John L. Roe

1: )V '9 1S92

EFFECTIVE:

u. ,. : '.



September 17, 1992

Vice President - Administration.  
5454 West 110th Street  
Overland Park, Kansas 66211

**+Jd 2**

**il!;:-Mt:lf**

**NOV 7 1992**

ACCESS SERVICE

6. Switched Access Service (Cont'd)

6.8 Rates and Charges (Cont'd)

6.8.7 Interim 500 Access Service

Assembly of Route Pattern - 1 + Dialing

- Per end office switch  
(including end office collocated with access tandem)

Nonrecurring  
Charge

(1+ dialing)

\$32.80

500 NXX Code Activation or Deactivation - 1 + Dialing

- Per NXX code added or deleted per end office

Nonrecurring  
Charge

(1+ dialing)

\$10.90

Assembly of Route Pattern - 0 + Dialing

- Per end office switch  
(including end office collocated with access tandem)

Nonrecurring  
Charge

(0+ dialing)

\$32.80

500 NXX Code Activation or Deactivation - 0 + Dialing

- Per NXX code added or deleted per end office

Nonrecurring  
Charge

(0+ dialing)

\$10.90

ISSUED:  
March 30, 2007

Mark D. Harper  
Director - State Regulatory  
5454 W. 110th Street  
Overland Park, Kansas 66211

EFFECTIVE:  
April 30, 2007

CANCELLED - Missouri Public Service Commission - 07/14/2023 - IN-2023-0447 - YI-2024-0001

SPRINT MISSOURI, INC.  
d/b/a SPRINT

first Revised Page 268.1  
Cancels Original Page 268.1

ACCESS SERVICE

**Missouri Public  
Service Commission**

6. Slitched Access Service (Cont'd)

6.8 Rates and Charges (Cont'd)

**REC'D MAY 03 2000**

6.8.7 Interim 500 Access Service

Assembly of Route Pattern - 1 + Dialing (T)

Per end office switch (T)  
(including end office collocated with access tandem)

Nonrecurring  
Charge (C)

(1+ dialing) \$32.80 (C)

500 NXX Code Activation or Deactivation - 1 + Dialing (T)

Per NXX code added or deleted per end office (T)

Nonrecurring  
Charge (C)

(1+ dialing) \$10.90 (C)

Assembly of Route Pattern - 0 + Dialing (T)

Per end office switch (T)  
(including end office collocated with access tandem)

Nonrecurring  
Charge (C)

(0+ dialing) \$32.80 (C)

500 NXX Code Activation or Deactivation - 0 + Dialing (T)

Per NXX code added or deleted per end office (T)

Nonrecurring  
Charge (C)

(0+ dialing) \$10.90 (C)

**Missouri Public  
Service Commission**

**FILED JUN 02 2000**

ISSUED:  
May 3, 2000

Richard D. Lawson  
State Executive, External Affairs

EFFECTIVE:  
June 2, 2000

UNITED TELEPHONE COMPANY  
OF MISSOURI

Original Page 268.1  
**RECEIVED**

ACCESS SERVICE

6. Switched Access Service (Cont'd)

.1M 111995

6.8.7 Interim 500 Access Service

Additions or deletions of 500 NXX codes routed **M9.PIJ&.IG:Sta'!CECQMM.**

Per Telephone Company end office switch (including end office collocated with access tandem)

- Assembly of Route Pattern - applies only on initial request for Interim 500 Access Service in a state, LATA or **access tandem**

1+ Dialing

USOC

**Nonrecurring Charge**

51ARP

\$32.80

Per Telephone Company access tandem or end office switch providing six digit screening

- Activation or deactivation of each 500 NXX code contained in the same request per access tandem or screening end office

- 1+ Dialing

USOC

**Nonrecurring Charge**

ADN51

\$10.90

Per Telephone Company access tandem or end office switch (including end office collocated with access tandem)

- Assembly of Route Pattern - applies only on initial request for Interim 500 Access Service in a state, LATA or **access tandem**

0+ Dialing

USOC

**Nonrecurring Charges**

50ARP

\$32.80

Per Telephone Company access tandem or end office switch providing six digit screening

- Activation or deactivation of each 500 NXX code contained in the same request per access tandem or screening end office

**CANCELLED-** 0+ Dialing

USOC

**Nonrecurring Charges**

ADN50

\$10.90

**FILED**

JUN 02 2000

Y ,,,\_l .7.l J6\i'.

**Public Service Commission  
MISSOURI**

**FEB 111995**

**MISSOURI  
Public Service Commission**

ISSUE DATE:  
January 11, 1995

BY: John L. Roe  
Vice President - Carrier and Regulatory Services  
5454 West 110th Street  
Overland Park, Kansas 66211

EFFECTIVE:  
February 11, 1995

ACCESS SERVICE

6. Switched Access Service (Cont'd)

6.8 Rates and Charges (Cont'd)

6.8.7 Interim 500 Access Service (Cont'd)

	<u>Rate Per Query</u>
Pass-Through Charge	
- Per Query Translation	\$0.007386

CANCELLED - Missouri Public Service Commission - 07/14/2023 - IN-2023-0447 - YI-2024-0001

ISSUED:  
March 30, 2007

Mark D. Harper  
Director - State Regulatory  
5454 W. 110th Street  
Overland Park, Kansas 66211

EFFECTIVE:  
April 30, 2007

UNITED TELEPHONE COMPANY  
OF MISSOURI

second Re dC 549  
Cancels First Re I?fJ

ACCESS SERVICE

JUN 5 1995

6. Switched Access Service (Cont'd)

6.8 Rates and Char es (Cont'd)

MO.PUBUCSERVICECOMM. ( 0 )

6.8.7 Interim 500 Access Service (Cont'd)

(N)

- Pass-Through Charge

Rate  
Per Query

- Per Query Translation

\$0.007386

(N) (D)

fLED

JUL151995

MISSOURI  
Public Service Commission

ISSUED:  
June 5, 1995

BY: John L. Roe  
Vice President - Carrier and Regulatory Services  
5454 West 110th Street  
Overland Park, Kansas 66211

EFFECTIVE:  
u: flp !!H •t\*'itil.ii'  
JUL 15 1995

ACCESS SERVICE

RECEIVED

6. Switched Access Service (Cont'd)

Cancels:

NOV 2 1893

(T)

- Original Page 269
- Original Page 270
- Original Page 271
- Original Page 272
- Original Page 273
- Original Page 274.
- Original Page 275
- Original Page 276
- Original Page 277
- Original Page 278
- First Revised Page 279

MO. PUBLIC SERVICE COMMA.

(T)

CANCELLED

JUL 15 1995  
BY 2<sup>nd</sup> R.S. #269  
Public Service Commission  
MISSOURI

FILED

ISSUED:

BY: John L. Roe

EFFECTIVE:

November 3, 1993

Vice President - Administration  
5454 West 110th Street  
Overland Park, Kansas 66211

**vI<sub>1</sub>lg<sup>9</sup>**  
**MO.PUBUC SERVICE COMM.**  
November 7, 1993



UNITED TELEPHONE COMPANY  
OF MISSOURI

Original Page 269

ACCESS SERVICE

6. Switched Access Service (Cont'd)

6.8 Rates and Charges (Cont'd)

6.8.3 End Office (Cont'd)

(A) Local Switching (Cont'd)

(1) Common Switching Optional Features

Call Denial on Line or  
Hunt Group (available  
with FGA)  
-Per Transmission Path  
or Transmission Path  
Group

CAD

Service Code Denial on  
Line or Hunt Group  
(available with FGA)  
-Per Transmission Path  
or Transmission Path  
Group

SCD

RECEIVED

SEP 17 1992

REG. PUBLIC SERVICE COM. MISSOURI

**CANCELLED**

NOV 7 1993  
BY Let R.S # 269  
Public Service Commission  
MISSOURI

11 11 11

7 1992

11 11 11

ISSUED:

EFFECTIVE:

BY: John L. Roe

September 17, 1992

Vice President - Administration  
5454 West 110th Street  
Overland Park, Kansas 66211

SCZSSbi IW'YHi . . . . .

NOV 7 1992

UNITED TELEPHONE COMPANY  
OF MISSOURI

Original Page 270

ACCESS SERVICE

RECEIVED

SEP 11 1992

6. Switched Access Service (Cont'd)

6.8 Rates and Charges (Cont'd)

6.8.3 End Office (Cont'd)

(A) Local Switching (Cont'd)

(1) Common Switching Optional Features (Cont'd)

Hunt Group Arrangement  
(available with PGA)  
-Per Transmission Path  
Group

HML/HTG

Uniform Call Distribution  
Arrangement (available with  
FGA)  
-Per Transmission Path Group

HTY UD

Nonhunting Number for Use  
with Hunt Group Arrangement  
or Uniform Call Distribution  
Arrangement (available with  
FGA)  
-Per Transmission Path

NHN

CANCELLED

JUL 15 1995

Automatic Number  
Identification (available  
with FGB, FGC and FGD)  
-Per Transmission Path  
Group

ANI

BY-  
bl service vommi  
Pu JC MISSOURI

Up to 7 Digit Outpulsing  
of Access Digits to  
Customer (available  
with FGB)  
-Per Transmission Path  
Group

USDO

ISSUED:  
September 17, 1992

BY: John L. Roe  
-Vice President - Administration  
5454 West 110th Street  
Overland Park, Kansas 66211

EFFECTIVE:  
Nov 7 1992

UNITED TELEPHONE COMPANY  
OF MISSOURI

Original Page 271

ACCESS SERVICE

SEP 17 1992

6. Switched Access Service (Cont'd)

SEP 17 1992

6.8 Rates and Charges (Cont'd)

FEDERAL PUBLIC SERVICE COMMISSION

6.8.3 End Office (Cont'd)

(A) Local Switching (Cont'd)

(1) Common Switching Optional Features (Cont'd)

Cut - Through  
(available with FGD)  
-Per End Office or  
Access Tandem

CTO

Revertive Pulse Address  
Signaling (available  
with FGC)  
-Per Transmission Path  
Group

ADS RP

**CANCELLED**

Delay Dial Start-Pulsing  
Signaling (available  
with FGC)  
-Per Transmission Path  
Group

DDSP

**JUL t5199S**

BY *John L. Roe*, e commission  
Public s r; s'cc:oUf \

Immediate Dial Pulse  
Address Signaling  
available with FGC)  
-Per Transmission  
Path Group

ADS IDP

Dial Pulse Address  
signaling (available  
with FGC)  
-Per Transmission  
Path Group

ADS DP

Panel Call Indicator  
Address Signaling  
(available with FGC)  
-Per Transmission  
Path Group

ADS PCI

SEP 17 1992

ISSUED:  
September 17, 1992

BY: John L. Roe  
Vice President - Administration  
5454 West 110th Street  
Overland Park, Kansas 66211

EFFECTIVE:

~~October 1, 1992~~  
NOV 7 1992

UNITED TELEPHONE COMPANY  
OF MISSOURI

Original Page 272

ACCESS SERVICE

6. Switched Access Service (Cont'd)

6.8 Rates and Charges (Cont'd)

6.8.3 End Office (Cont'd)

(A) Local Switching (Cont'd)

(1) Common Switching Optional Features CCont'd)

Service Class Routing  
(available with FGC  
and FGD)

SCRT

-Per Transmission  
Path Group

Alternate Traffic  
Routing

ARTG

- o Multiple customer  
Premises Alternate  
Routing (available  
with FGB, FGC and FGD)  
-Per Transmission Path  
or Transmission Path  
Group

- o End Office Alternate  
Routing When Ordered in  
Trunks (available with  
FGB and FGD)

-Per Transmission Path  
or Transmission Path  
Group

Trunk Access Limitation  
Arrangement (available  
with FGC and FGD)

CHOK

-Per End Office

RECEIVED

SEP 17 1992

MO. PUBLIC SERVICE COM. MO.

CANCELLED

JUL 15 1995

BY: / ;: r, r !  
Public service Com. Missouri

ISSUED:  
September 17, 1992

BY: John L. Roe  
Vice President - Administration

5454 West 110th Street

I:CV ' E92.

.....

EFFECTIVE:

46 & SRI 1,  
£\$4£



UNITED TELEPHONE COMPANY  
OF MISSOURI

Original Page 273

ACCESS SERVICE

6. Switched Access Service (Cont'd)

6.8 Rates and Charges (Cont'd)

6.8.3 End Office (Cont'd)

(A) Local Switching (Cont'd)

(1) Common Switching Optional Features (Cont'd)

Call Gapping Arrangement  
(available with FGD)  
-Per End Office CGAP

International Carrier Option  
(Available with FGD) INCO  
-Per End Office and  
Access Tandem

Band Advance Arrangement  
for Use with WATS Access  
Line Service (available  
with FGC and FGD) BAAD  
- Per Arrangement

End Office End User  
Line Service Screening  
for Use with WATS  
Access Line Service  
(available with FGC and  
FGD)\* BAND  
- Per Transmission Path

Hunt Group Arrangement  
for Use with WATS  
Access Line Service  
(available with FGC and FGD) HML/HTG  
- Per Transmission Path  
Group

\* This feature is required for originating only WATS Access Lines.

RECEIVED

SEP 17 1992

MO. PUBLIC SERVICE COM. 11

CANCELLED

JUL 1 1995

BY <sup>1</sup> L k'l\_s +g. Y  
Public S . e commission  
SOURI

NOV 7 1992

MO. PUBLIC SERVICE COM. 11

ISSUED:  
September 17, 1992

BY: John L. Roe  
Vice President - Administration  
5454 West 110th Street  
Overland Park, Kansas 66211

EFFECTIVE:  
NOV 7 1992

UNITED TELEPHONE COMPANY  
OF MISSOURI

Original Page 274

ACCESS SERVICE

6. Switched Access Service (Cont'd)

6.8 Rates and Charges (Cont'd)

6.8.3 End Office (Cont'd)

(A) Local Switching (Cont'd)

(1) Common Switching Optional Features (Cont'd)

RECEIVED

SEP 17 1992

PUBLIC SERVICE COM. MISSOURI

Uniform Call Distribution  
Arrangement for Use  
with WATS Access Line  
Service (available with  
FGC and FGD)  
- Per Transmission Path  
Group

HTY UD

Nonhunting Number for  
Use with Hunt Group  
Arrangement or Uniform  
Call Distribution  
Arrangement for Use  
with WATS Access  
Line Service  
(available with  
FGC and FGD)  
- Per Transmission Path

NHN

CANCELLED

JUL 15 1995  
BY 1st R.S. #269  
Public Service Commission  
MISSOURI

1:0V 17 '92

ISSUED:

BY: John L. Roe



September 17, 1992

Vice President - Administration  
5454 West 110th Street  
Overland Park, Kansas 66211

.....  
" .....  
.....  
EFFECTIVE:  
%LCCBJVJ4\$it... **gzc**  
NOV 7 1992

UNITED TELEPHONE COMPANY  
OF MISSOURI

Original Page 275

ACCESS SERVICE

RECEIVED

6. Switched Access Service (Cont'd)

SEP 17 1992

6.8 Rates and Charges (Cont'd)

MO. PUBLIC SERVICE COM. 12.

6.8.3 End Office (Cont'd)

(A) Local Switching (Cont'd)

(2) Transport Termination Nonchargeable Options

(a) Line Side Terminations  
(For FGA)

Two Way Operation

- Dial Pulse with Loop Start NC +++A
- Dial Pulse with Ground Start NC +++E
- DTMF with Loop Start NC +++F
- DTMF with Ground Start NC +++G

Terminating Operation

- Dial Pulse with Loop Start NC +++N
- Dial Pulse with Ground Start NC +++P
- DTMF with Loop Start NC +++R
- DTMF with Ground Start NC +++S

Originating Operation

- Loop Start NC +++U
- Ground Start NC +++V

CINCE.11tdNc

(b) Trunk Side Terminations  
(For FGB, FGC, and FGD)

Standard Trunk

- for originating, S'(\_L.!...;-:;:-commiSSIOO
- Terminating or Two-public sem so\IRI
- Way Operation TTC SO
- (available with FGB, TTC ST
- FGC and FGD) TTC TY

Rotary Dial Station  
Signaling Trunk  
(available with FGB)

TTC RD

JUL 15 99: rG r  
-.- Jr/(- .  
S'(\_L.!...;-:;:-commiSSIOO  
sem so\IRI

RECEIVED

1:0V 7 1992

L'J, : : : : : -H-H

EFFECTIVE:

811J;!!el Lf4 UR

NOV 7 1992

ISSUED:  
September 17, 1992

BY: John L. Roe  
Vice President - Administration  
5454 West 110th Street  
Overland Park, Kansas 66211

UNITED TELEPHONE COMPANY  
OF MISSOURI

Original Page 276

ACCESS SERVICE

RECEIVED

SEP 17 1992

6. Switched Access Service (Cont'd)

MO. PUBLIC SERVICE COM. 12.

6.8 Rates and Charges (Cont'd)

6.8.3 End Office (Cont'd)

(A) Local Switching (Cont'd)

(2) Transport Termination Nonchargeable Options (Cont'd)

(b) (Cont'd)

Operator Trunk, Coin,  
Non-Coin or Combined  
Coin and Non-Coin  
(available with FGC)

TTC CO

Operator Trunk, Full  
Feature Arrangement  
(available with FGD)

TTC FF

(B) Line Terminations

Premium Rate  
Per Access  
Minute

CA-NCELLED

(1) Common Line and  
WATS Access Line  
Terminations

\$.0155

JUL 15 1995  
BY lot R.S.# 269  
Public Service Commission  
MISSOURI

SEP 17 1992

LOV 7 1992

MO. PUBLIC SERVICE COM. 12.

ISSUED:  
September 17, 1992

BY: John L. Roe  
Vice President - Administration  
5454 West 110th Street  
Overland Park, Kansas 66211

EFFECTIVE:  
aetok&<aM;Nt.MC  
•OV 1 1992

UNITED TELEPHONE COMPANY  
OF MISSOURI

Original Page 277

ACCESS SERVICE

RECEIVED

6. Switched Access Service (Cont'd)

SEP 17 1992

6.B Rates and Charges (Cont'd)

MO. PUBLIC SERVICE COMM.

6.8.3 End Office (Cont'd)

(B) Line Terminations (Cont'd)

CP..MCELLED

(2) WATS Access Line  
Optional Terminations

FID

(a) Line Side Terminations

JUL 15 1995  
BY Lat R. S. #269  
Public Service Commission  
MISSOURI

Originating Only  
Loop Start, Line Side  
Connection, with DTMF  
Address Signaling  
-per WATS Access Line

NC +++R

Originating Only  
Loop Start, Line Side  
Connection, with Dial  
Pulse Address Signaling  
- Per WATS Access Line

NC +++N

Originating Only  
Ground Start, Line Side  
Connection, with DTMF  
Address Signaling  
-Per WATS Access Line

NC +++S

SEP 17 1992

1:0V 7 1292

SEP 17 1992

ISSUED:  
September 17, 1992

BY: John L. Roe  
Vice President - Administration  
5454 West 110th Street  
Overland Park, Kansas 66211

EFFECTIVE:  
"661SJ22" ±Hi  
IOV 7 1992

ACCESS SERVICE

6. Switched Access Service (Cont'd)

6.8 Rates and Charges (Cont'd)

6.8.3 End Office (Cont'd)

(B) Line Terminations (Cont'd)

(2) WATS Access Line  
Optional Terminations

(a) Line Side Terminations

Originating Only  
Ground Start, Line Side  
Connection, with Dial  
Pulse Address Signaling  
- Per WATS Access Line

Terminating Only  
Loop Start, Line Side  
Connection  
- Per WATS Access Line

Terminating Only  
Ground Start, Line Side  
Connection  
- Per WATS Access Line

(b) Trunk Side Terminations:

Terminating Only  
Trunk Side Connection  
for Forwarding of Dialed  
Number Identification  
to End User  
- Per WATS Access Line

RECEIVED

SEP 1 '1992

MO. PUBLIC SERVICE COM. 12

CANCELLED

JUL 15 1995

BY 1st R.S. # 269  
Public Service Commissioner  
MISSOURI

NC +++P

NC +++U

NC +++V

NC +++T

FILED

NOV 7 1992

MO. PUBLIC SERVICE COM. 12

ISSUED:  
September 17, 1992

BY: John L. Roe  
Vice President - Administration  
5454 West 110th Street  
Overland Park, Kansas 66211

EFFECTIVE:  
Jlt "ill"y"4i5 t  
NOV 7 1992

ACCESS SERVICE

6. Switched Access Service (Cont'd)

6.8 Rates and Charges (Cont'd)

6.8.3 End Office (Cont'd)

(C) Intercept

Premium  
Rate

Intercept Charge  
(Per 100,000 Access  
Minutes)

\$10.61

MO.PUBLIC SERVICE COM 1.

R\ E ijED

MR 311993

CANCELLED

6.8.4 800 Access Service

(A) 800 Access Service Data Base Query  
-per query

USOC

Rate

BDBQC

\$0.012885

(B) 800 Data Base Optional Service Features\*  
-per query

BDBOF

\$0.001344

6.8.5 Reserved for Future Use

6.8.6 Information Surcharge

Premium  
Rate Per  
Access Minute

\$.0004

JUL 151995

BY *lq/C-rc.*  
Public Service Commlsston  
MISSOURI

(T)

(N)

(N)

FILED

MAY 0 11993

MO. PUBLIC SERVICE COMIV/.

\* When a combination of one or more 800 Data Base Optional Service Features is used, only one charge will apply.

ISSUED:  
March 31, 1993

BY: John L. Roe  
Vice President - Administration  
5454 West 110th Street  
Overland Park, Kansas 66211

EFFECTIVE:  
May 1, 1993

UNITED TELEPHONE COMPANY  
OF MISSOURI

Original Page 279

ACCESS SERVICE

6. Switched Access Service (Cont'd)

6.8 Rates and Charges (Cont'd)

6.8.3 End Office (Cont'd)

(C) Intercept

Premium  
Rate

Intercept Charge  
(Per 100,000 Access  
Minutes)

\$10.61

6.8.4 Reserved for Future Use

6.8.5 Reserved for Future Use

6.8.6 Information Surcharge

Premium  
Rate Per  
Access Minute

\$.0004

RECEIVED

SEP 1 11 1992

MO. PUBLIC SERVICE COMM.

CANCELLED

MAY 1 1993  
BY Let R.S. # 277  
Public Service Commission  
MISSOURI

RECEIVED

NOV 7 1992

MO. PUBLIC SERVICE COMM.

ISSUED:  
September 17, 1992

BY: John L. Roe  
Vice President - Administration  
5454 West 110th Street  
Overland Park, Kansas 66211

EFFECTIVE:  
881!U6Cf £1, ±hi  
NOV 7 1992

ACCESS SERVICE

7. Special Access Service

7.1 General

Special Access Service provides a transmission path to connect customer designated premises\*, either directly or through a Telephone Company Hub where bridging or multiplexing functions are performed. Special Access Service includes all exchange access not utilizing Telephone Company end office switches.

The connections provided by Special Access Service can be either analog or digital. Analog connections are differentiated by spectrum and bandwidth. Digital connections are differentiated by bit rate.

7.1.1 Channel Types

There are three types of channels used to provide Special Access Services. Each type has its own characteristics. All are subdivided by one or more of the following:

(T)

- Transmission specifications,
- Bandwidth,
- Speed (i.e., bit rate),
- Spectrum

Customers can order a basic channel and select, from a list of available transmission parameters and channel interfaces, those that they desire to meet specific communications requirements.

\* Telephone Company Centrex CO-like switches are considered to be customer premises for purposes of this tariff.

ISSUED:  
March 30, 2007

Mark D. Harper  
Director - State Regulatory  
5454 W. 110th Street  
Overland Park, Kansas 66211

EFFECTIVE:  
April 30, 2007

CANCELLED - Missouri Public Service Commission - 07/14/2023 - IN-2023-0447 - YI-2024-0001



SPRINT MISSOURI, INC.  
d/b/a SPRINT

Second Revised Page 280  
Cancels First Revised Page 280

ACCESS SERVICE



7. Special Access Service

**REC'0 FE3 09 2000**

7.1 General

Special Access Service provides a transmission path to connect customer designated premises\*, either directly or through a Telephone Company Hub where bridging or multiplexing functions are performed. Special Access Service includes all exchange access not utilizing Telephone Company end office switches.

The connections provided by Special Access Service can be either analog or digital. Analog connections are differentiated by spectrum and bandwidth. Digital connections are differentiated by bit rate.

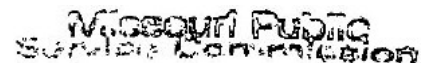
7.1.1 Channel Types

There are *five* types of channels used to provide Special Access Services. Each type has its own characteristics. All are subdivided by one or more of the following: (C)

- Transmission specifications,
- Bandwidth,
- Speed (i.e., bit rate),
- Spectrum

Customers can order a basic channel and select, from a list of available transmission parameters and channel interfaces, those that they desire to meet specific communications requirements.

\* Telephone Company Centrex *CO-like* switches are considered to be customer premises for purposes of this tariff.



**FILED MAR 10 2000**

ISSUED:  
February 9, 2000

Richard D. Lawson  
State Executive, External Affairs

EFFECTIVE:  
March 10, 2000

ACCESS SERVICE

**RECEIVED**

7. Special Access Service

**DEC 07 1995**

7.1 General

Special Access Service provides a transmission **pat S t** customer designated premises\*, either direct **!!Q Sfruruillll mmission** Telephone Company Hub where bridging or multiplexing functions are performed. Special Access Service includes all exchange access not utilizing Telephone Company end office switches.

The connections provided by Special Access Service can be either analog or digital. Analog connections are differentiated by spectrum and bandwidth. Digital connections are differentiated by bit rate.

7.1.1 Channel Types

There are eight types of channels used to provide Special Access Services. Each type has its own characteristics. All are subdivided by one or more of the following: (C)

- Transmission specifications,**
- Bandwidth,
- Speed (i.e., bit rate),
- Spectrum

Customers can order a basic channel and select, from a list of available transmission parameters and channel interfaces, those that they desire to meet specific communications requirements.

\* Telephone Company Centrex CO-like switches are considered to be customer premises for purposes of this tariff.

**CANCELLED**

**MAR, 10 2000**  
By **&!#-- p;/N .**  
**Public Service CommiSSiOn**  
**MISSOURI**

**FILED**

**JAN- 81996**

**MISSOOOI**  
**Public Service CommiSSiOn**

ISSUED:  
December 7, 1995

BY: John L. Rae  
**Vice President - Carrier and Regulatory Services**  
5454 West 110th Street  
Overland Park, Kansas 66211

EFFECTIVE:  
January 8, 1996

UNITED TELEPHONE COMPANY  
OF MISSOURI

Original Page 280

RECEIVED

SEP 17 1992

ACCESS SERVICE

MO. PUBLIC SERVICE COMM.

7. Special Access Service

7.1 General

Special Access Service provides a transmission path to connect customer designated premises\*, either directly or through a Telephone Company Hub where bridging or multiplexing functions are performed. Special Access Service includes all exchange access not utilizing Telephone Company end office switches.

The connections provided by Special Access Service can be either analog or digital. Analog connections are differentiated by spectrum and bandwidth. Digital connections are differentiated by bit rate.

7.1.1 Channel Types

There are seven types of channels used to provide Special Access Services. Each type has its own characteristics. All are subdivided by one or more of the following:

- Transmission specifications,
- Bandwidth,
- Speed (i.e., bit rate),
- Spectrum

Customers can order a basic channel and select, from a list of available transmission parameters and channel interfaces, those that they desire to meet specific communications requirements.

\* Telephone Company Centrex CO-like switches are considered to be customer premises for purposes of this tariff.

**CANCELLED**

JAN 8 1996  
BY *John L. Roe* #280  
Public Service Commission  
MISSOURI

FILED

NOV 17 1992

MO. PUBLIC SERVICE COMM.

ISSUED:  
September 17, 1992

BY: John L Roe  
Vice President - Administration  
5454 West 110th Street  
Overland Park, Kansas 66211

EFFECTIVE:  
**zlellebw** :i7; : !tiM  
NOV 7 1992

ACCESS SERVICE

7. Special Access Service (Cont'd)

7.1 General (Cont'd)

7.1.1 Channel Types (Cont'd)

For purposes of ordering channels, each has been identified as a type of Special Access Service. However, such identification is not intended to limit a customer's use of the channel nor to imply that the channel is limited to a particular use.

Following is a brief description of each type of channel:

**Voice Grade**<sup>[1]</sup> - A channel for the transmission of analog signals within an approximate bandwidth of 300-3000 Hz. (C)

<sup>[1]</sup> **Effective November 1, 2021 Voice Grade Services are grandfathered. Availability to current customers is limited to circuits in service at existing locations.** (N)  
(N)

ISSUED:  
October 1, 2021

Chantel Miller  
Director Government Operations  
100 CenturyLink Dr.  
Monroe, LA 71203

EFFECTIVE:  
November 1, 2021

MO2021-13

ACCESS SERVICE

7. Special Access Service (Cont'd)

7.1 General (Cont'd)

7.1.1 Channel Types (Cont'd)

For purposes of ordering channels, each has been identified as a type of Special Access Service. However, such identification is not intended to limit a customer's use of the channel nor to imply that the channel is limited to a particular use.

Following is a brief description of each type of channel:

Voice Grade - A channel for the transmission of analog signals within an approximate bandwidth of 300-3000 Hz.

ISSUED:  
March 30, 2007

Mark D. Harper  
Director - State Regulatory  
5454 W. 110th Street  
Overland Park, Kansas 66211

EFFECTIVE:  
April 30, 2007

CANCELLED  
November 1, 2021  
Missouri Public  
Service Commission  
JI-2022-0069

**Filed**  
Missouri Public  
Service Commission

SPRINT MISSOURI. INC.  
dfb/a SPRINT

Fourth Revised Page 281  
Cancels Third Revised Page 281

ACCESS SERVICE

MissouriPublic

7. Special Access Service (Cont'd)

REC'O JUL 02 2002

7.1 General(Cont'd)

Service Commission

7.1.1 Channel Types (Cont'd)

For purposes of ordering channels, each has been identified as a type of SpecialAccess Service. However, such identification is not intended to limit a customer's use of the channel nor to imply that the channel is limited to a particular use.

Following is a brief description of each type of channel:

Voice Grade - A channel for the transmission of analog signals within an approximate bandwidth of 30D-3000 Hz.

(D)

(D)

MissouriPublic

FILED AUG 12 2002

S <.HVIce CommissJ<.)J.

ISSUED:  
July 2,2002

Richard D. Lawson  
State Executive, External Affairs  
319 Madison  
Jefferson City, MO 65101

EFFECTIVE:



AUG 12Z00Z

SPRINT MISSOURI, INC.  
d/b/a SPRINT

Third Revised Page 281  
Cancels Second Revised Page 281

Se = J'rfM J on

ACCESS SERVICE

REC'D MAY 03 2000

7. Special Access Service (Cont'd)

7.1 General (Cont'd)

7.1.1 Channel Types (Cont'd)

For purposes of ordering channels, each has been identified as a type of Special Access Service. However, such identification *is* not intended to limit a customer's use of the channel nor to imply t-hat the channel is limited to a particular use.

Following is a brief description of each type of channel:

Voice Grade - A channel for the transmission of analog signals within an approximate bandwidth of 300-3000 Hz.

Program Audio - A channel for the transmission of audio signals. The nominal frequency bandwidths are from 50 Hz to 15000 Hz, from 200 to 3500 Hz, from 100 to 5000 Hz, from 50 to 8000 Hz.

Video - A channel for the transmission of a standard 525 line/60 field monochrome or National Television Systems Committee color video signal and up to four associated 5 or 15 kHz audio signals. The bandwidth for a video channel is either 30Hz to 4.5 MHz or 30 Hz to 6.6 Mhz.

(C)

c"\\dlto  
#6 1211  
.. fbsm ..

Missouri Public  
SeNrce cornm Taaon

FILED JUN 02 2000

ISSUED:  
May 3, 2000

Richard D. Lawson  
State Executive, External Affairs

EFFECTIVE:  
June 2, 2000

SPRINT MISSOURI, INC.  
d/b/a/ SPRINT

Second Revised Page 281  
Cancels First Revised Page 281

ACCESS SERVICE

**f.J I Son**

7. Special Access Service (Cont'd)

REC'D FtJ 09 2000

7.1 General (Cont'd)

7.1.1 Channel Types (Cont'd)

For purposes of ordering channels, each has been identified as a type of Special Access Service. However, such identification is not intended to limit a customer's use of the channel nor to imply that the channel is limited to a particular use.

(C)

Following is a brief description of each type of channel:

(D)

(D)

Voice Grade - A channel for the transmission of analog signals within an approximate bandwidth of 300-3000 Hz.

Program Audio - A channel for the transmission of audio signals. The nominal frequency bandwidths are from 50 Hz to 15000 Hz, from 200 to 3500 Hz, from 100 to 5000 Hz, from 50 to 8000 Hz.

Video - A channel for the transmission of a standard 525 line/60 field monochrome or National Television Systems Committee color video signal and one or two associated 5 or 15 kHz audio signals. The bandwidth for a video channel is either 30Hz to 4.5 MHz or 30 Hz to 6.6 Mhz.

**CANCELLED**

JUN 02 2000

By **j(Z' gl**  
Public Service Commission  
MISSOURI

Missouri Public  
Service Commission

FILED MAR 10 2000

ISSUED:  
February 9, 2000

Richard D. Lawson  
State Executive, External Affairs

EFFECTIVE:  
March 10, 2000



SPRINT MISSOURI, INC.  
d/b/a/ SPRINT

First Revised Page 281  
Cancels Original Page 281

ACCESS SERVICE

Missouri Public  
Service Commission

7. Special Access Service (Cont'd)

7.1 General (Cont'd)

REC'D StP 10 1999

7.1.1 Chan nel (Cont'd)  
Types

For purposes of ordering channels, each has been identified as a type of Special Access Service. However, such identification is not intended to limit a customer's use of the channel nor to imply that the channel is limited to a particular use. For example, if a customer's equipment is capable of transmitting voice over a channel that is identified as a Telegraph Service (T) in this tariff, there is no restriction against doing so.

Following is a brief description of each type of channel:

(D)  
(D)

Telegraph Grade - A channel for the transmission of binary signals at rates of 0 to 75 baud or 0 to 150 baud.

Voice Grade - A channel for the transmission of analog signals within an approximate bandwidth of 300-3000 Hz.

Program Audio - A channel for the transmission of audio signals. The nominal frequency bandwidths are from 50 Hz to 15000 Hz, from 200 to 3500 Hz, from 100 to 5000 Hz, from 50 to 8000 Hz.

Video - A channel for the transmission of a standard 525 line/60 field monochrome or National Television Systems Committee color video signal and one or two associated 5 or 15 kHz audio signals. The bandwidth for a video channel is either 30 Hz to 4.5 MHz or 30 Hz to 6.6 Mhz.

**CANCELLED**

MAR 10 2000  
s J.tl Rr ':;1 .  
PublService Comiw.,-lon  
MISSOURI

∞f1>.....r;...-1 : 'r'l"-1;...  
::> :;-!'- ;:..k/f/t...e;l;... f-[ 1:7.3:"

FILED !!JC: I ... } '1999

ISSUED:  
September: 10, 1999

Richard D. Lawson  
State Executive, External Affairs

EFFECTIVE:  
October, 1999  


OCT 15 1999

UNITED TELEPHONE COMPANY  
OF MISSOURI

Original Page 281

ACCESS SERVICE

RECEIVED

SEP 17 1992

7. Special Access Service (Cont'd)

MO. PUBLIC SERVICE COM. 17

7.1 General (Cont'd)

7.1.1 Channel Types (Cont'd)

For purposes of ordering channels, each has been identified as a type of Special Access Service. However, such identification is not intended to limit a customer's use of the channel nor to imply that the channel is limited to a particular use. For example, if a customer's equipment is capable of transmitting voice over a channel that is identified as a Metallic Service in this tariff, there is no restriction against doing so.

Following is a brief description of each type of channel:

Metallic - a channel for the transmission of low speed varying signals at rates up to 30 baud.

Telegraph Grade - A channel for the transmission of binary signals at rates of 0 to 75 baud or 0 to 150 baud.

Voice Grade - A channel for the transmission of analog signals within an approximate bandwidth of 300-3000 Hz.

Program Audio - A channel for the transmission of audio signals. The nominal frequency bandwidths are from 50 Hz to 15000 Hz, from 200 to 3500 Hz, from 100 to 5000 Hz, from 50 to 8000 Hz.

Video - A channel for the transmission of a standard 525 line/60 field monochrome or National Television Systems Committee color video signal and one or two associated 5 or 15 kHz audio signals. The bandwidth for a video channel is either 30 Hz to 4.5 MHz or 30 Hz to 6.6 MHz.

**CANCELLED**

OCT 15 1999

Ly |S|- SJ;28/ .  
Public serv1ce Commtsston  
MISSOURI

RECEIVED

SEP 17 1992

MO. PUBLIC SERVICE COM. 17

ISSUED:  
September 17, 1992

BY: John L Roe  
Vice President - Administration  
5454 West 110th Street  
Overland Park, Kansas 66211

EFFECTIVE:

NOV 7 1992

ACCESS SERVICE

7. Special Access Service (Cont'd)

7.1 General (Cont'd)

7.1.1 Channel Types (Cont'd)

**Digital Data** <sup>[1]</sup> - A channel for the digital transmission of synchronous serial data at rates of 2.4, 4.8, 9.6, 19.2, 56 or 64 kbps provided where facilities are available as determined by the Telephone Company.

(C)

High capacity - A channel for the digital transmission of isochronous serial digital data at a rate of 1.544, 3.152, 6.312, 44.736 or 274.176 Mbps provided where facilities are available as determined by the Telephone Company.

Detailed descriptions of each of the channel types are provided in 7.2 following.

The customer also has the option of ordering Voice Grade and analog and digital high capacity facilities (i.e., Group, Supergroup, Mastergroup, 1.544 Mbps, 3.152 Mbps, 6.312 Mbps, 44.736 Mbps and 274.176 Mbps) to a Telephone Company Hub for multiplexing to individual channels of a lower capacity or bandwidth. Descriptions of the types of multiplexing are available at the Hubs, as well as the number of individual channels which may be derived from each type of facility are set forth in 7.2 following. Additionally, the customer may specify optional features for the individual channels derived from the facility to further tailor the channel to meet specific communications requirements. Descriptions of the optional features and functions available are also set forth in 7.2 following.

<sup>[1]</sup> **Effective November 1, 2021 Digital Data Services are grandfathered. Availability to current customers is limited to circuits in service at existing locations.**

(N)  
(N)

ISSUED:  
October 1, 2021

Chantel Miller  
Director Government Operations  
100 CenturyLink Dr.  
Monroe, LA 71203

EFFECTIVE:  
November 1, 2021

MO2021-13

CANCELLED - Missouri Public Service Commission - 07/14/2023 - IN-2023-0447 - YI-2024-0001

ACCESS SERVICE

7. Special Access Service (Cont'd)

7.1 General (Cont'd)

7.1.1 Channel Types (Cont'd)

Digital Data - A channel for the digital transmission of synchronous serial data at rates of 2.4, 4.8, 9.6, 19.2, 56 or 64 kbps provided where facilities are available as determined by the Telephone Company.

High capacity - A channel for the digital transmission of isochronous serial digital data at a rate of 1.544, 3.152, 6.312, 44.736 or 274.176 Mbps provided where facilities are available as determined by the Telephone Company.

Detailed descriptions of each of the channel types are provided in 7.2 following.

The customer also has the option of ordering Voice Grade and analog and digital high capacity facilities (i.e., Group, Supergroup, Mastergroup, 1.544 Mbps, 3.152 Mbps, 6.312 Mbps, 44.736 Mbps and 274.176 Mbps) to a Telephone Company Hub for multiplexing to individual channels of a lower capacity or bandwidth. Descriptions of the types of multiplexing are available at the Hubs, as well as the number of individual channels which may be derived from each type of facility are set forth in 7.2 following. Additionally, the customer may specify optional features for the individual channels derived from the facility to further tailor the channel to meet specific communications requirements. Descriptions of the optional features and functions available are also set forth in 7.2 following.

ISSUED:  
March 30, 2007

Mark D. Harper  
Director - State Regulatory  
5454 W. 110th Street  
Overland Park, Kansas 66211

EFFECTIVE:  
April 30, 2007

CANCELLED  
November 1, 2021  
Missouri Public  
Service Commission  
JI-2022-0069

**Filed**  
Missouri Public  
Service Commission

SPRINT MISSOURI, INC.  
d/b/a/ SPRINT

Second Revised Page 282  
Cancels first Revised Page 282

ACCESS SERVICE

Missouri Public  
Service Commission

7. Special Access Service (Cont'd)

RFCTJ 10 1999

7.1 General (Cont'd)

7.1.1 Channel Types (Cont'd)

Digital Data - A channel for the digital transmission of synchronous serial data at rates of 2.4, 4.8, 9.6, 19.2, 56 or 64 kbps provided where facilities are available as determined by the Telephone Company. (T)

High capacity - A channel for the digital transmission of isochronous serial digital data at a rate of 1.544, 3.152, 6.312, 44.736 or 274.176 Mbps provided where facilities are available as determined by the Telephone Company. (T)  
(C)

(D)  
(D)  
(D)

Detailed descriptions of each of the channel types are provided in 7.2 following.

The customer also has the option of ordering Voice Grade and analog and digital high capacity facilities (i.e., Group, Supergroup, Mastergroup, 1.544 Mbps, 3.152 Mbps, 6.312 Mbps, 44.736 Mbps and 274.176 Mbps) to a Telephone Company Hub for multiplexing to individual channels of a lower capacity or bandwidth. Descriptions of the types of multiplexing are available at the Hubs, as well as the number of individual channels which may be derived from each type of facility are set forth in 7.2 following. Additionally, the customer may specify optional features for the individual channels derived from the facility to further tailor the channel to meet specific communications requirements. Descriptions of the optional features and functions available are also set forth in 7.2 following.

(D)

10 1999

ISSUED:  
September 10, 1999

Richard D. Lawson  
State Executive, External Affairs

EFFECTIVE:  
OCT 15 1999

UNITED TELEPHONE COMPANY  
OF MISSOURI

First Revised Page 282  
Cancels Original Page 282

ACCESS SERVICE

**RECEIVED**

7. Special Access Service (Cont'd)

**DEC 07 1995**

7.1 General (Cont'd)

**MISSOURI  
!! O Seru!cs CommiSSio!l**

7.1.1 Channel Types (Cont'd)

United DigiLink-""- A channel for the digital transmission of synchronous serial data at rates of 2.4, 4.8, 9.6, 19.2, 56 or 64 kbps provided where facilities are available as determined by the Telephone Company. (C)

United TransLink-!!!- A channel for the digital transmission of isochronous serial digital data at a rate of 1.544 Mbps provided where facilities are available as determined by the Telephone Company.

High Capacity - a channel for the digital transmission of isochronous serial data at rates of 3.152, 6.312, 44.736 or 274.176 Mbps.

Detailed descriptions of each of the channel types are provided in 7.2 following.

The customer also has the option of ordering Voice Grade and analog and digital high capacity facilities (i.e., Group, Supergroup, Mastergroup, 1.544 Mbps, 3.152 Mbps, 6.312 Mbps, 44.736 Mbps and 274.176 Mbps) to a Telephone Company Hub for multiplexing to individual channels of a lower capacity or bandwidth. Descriptions of the types of multiplexing are available at the Hubs, as well as the number of individual channels which may be derived from each type of facility are set forth in 7.2 following. Additionally, the customer may specify optional features for the individual channels derived from the facility to further tailor the channel to meet specific communications requirements. Descriptions of the optional features and functions available are also set forth in 7.2 following.

A Service Mark of United Telecommunications, Inc.

**CANCELLED**

OCT 15 1995  
11- -t}diAl.

**FILED**

**:commission JAN 8 1996  
Public NISSOURI**

**MISSOURI  
Pubhe SellW M ission  
January 8, 1996**

ISSUED:  
December 7, 1995

BY: John L. Roe  
Vice President - Carrier and Regulatory Services  
5454 West 110th Street  
Overland Park, Kansas 66211

UNITED TELEPHONE COMPANY  
OF MISSOURI

Original Page 282

j1 C B F1::D

SEP 17 1992

ACCESS SERVICE

O. ru:mc s::nvtr: com,1.

7. Special Access Service (Cont'd)

7.1 General (Cont'd)

7.1.1 Channel Types (Cont'd)

United DigiLink•- A channel for the digital transmission of synchronous serial data at rates of 2.4, 4.8, 9.6, 19.2, or 56.0 kbps provided where facilities are available as determined by the Telephone Company.

United TransLink•- A channel for the digital transmission of isochronous serial digital data at the rate of 1.544 Mbps provided where facilities are available as determined by the Telephone Company.

High Capacity - a channel for the digital transmission of isochronous serial data at rates of 3.152, 6.312, 44.736 or 274.176 Mbps.

Detailed descriptions of each of the channel types are provided in 7.2 following.

The customer also has the option of ordering Voice Grade and analog and digital high capacity facilities (i.e., Group, Supergroup, Mastergroup, 1.544 Mbps, 3.152 Mbps, 6.312 Mbps, 44.736 Mbps and 274.176 Mbps) to a Telephone Company Hub for multiplexing to individual channels of a lower capacity or bandwidth. Descriptions of the types of multiplexing are available at the Hubs, as well as the number of individual channels which may be derived from each type of facility are set forth in 7.2 following. Additionally, the customer may specify optional features for the individual channels derived from the facility to further tailor the channel to meet specific communications requirements. Descriptions of the optional features and functions available are also set forth in 7.2 following.

• A Service Mark of United Telecommunications, Inc.

**CANCELLED**

JAN 8 1996  
BY *Let R.S. #282*  
Public Service Commission  
MISSOURI

U

!OV ? 1992

LifJ. :-;:;: : : : ;:;:;: J

ISSUED:  
September 17, 1992

BY: John L Roe  
Vice President - Administration  
5454 west 110th Street  
Overland Park, Kansas 66211

EFFECTIVE:  
**Glfid2b6! 19\ " 1''''**  
NOV 7 1992

## ACCESS SERVICE

### 7. Special Access Service (Cont'd)

#### 7.1 General (Cont'd)

##### 7.1.1 Channel Types (Cont'd)

For example, a customer may order a 3.152 Mbps facility from a customer designated premises to a Telephone Company Hub for multiplexing to two 1.544 Mbps channels. The 1.544 Mbps channels may be further multiplexed at the same or a different Hub to Voice Grade channels or may be extended to other customer designated premises. Optional features may be added to either the 1.544 Mbps or the Voice Grade Channels.

##### 7.1.2 Rate Categories

There are three basic rate elements which apply to Special Access Service:

- Channel Terminations (described in 7.1.2(A) following)
- Channel Mileage (described in 7.1.2(C) following)
- Optional Features and Functions (described in 7.1.2(E) following)

##### (A) Channel Termination

The Channel Termination rate category provides for the communications path between a customer designated premises and the serving wire center of that premises. Included as part of the Channel Termination is a standard channel interface arrangement which defines the technical characteristics associated with the type of facilities to which the access service is to be connected at the Point of Termination (POT) and the type of signaling capability, if any. The signaling capability itself is provided as an optional feature as set forth in (E) following. One Channel Termination charge applies per customer designated premises at which the channel is terminated. This charge will apply even if the customer designated premises and the serving wire center are co-located in a Telephone Company building.

ISSUED:  
March 30, 2007

Mark D. Harper  
Director - State Regulatory  
5454 W. 110th Street  
Overland Park, Kansas 66211

EFFECTIVE:  
April 30, 2007



SPRINT MISSOURI, INC.  
d/b/a SPRINT

first Revised Page 283  
Cancels Original Page 283

ACCESS SERVICE

**Missouri Public  
Service Commission**

7. Special Access Service (Cont'd)

**REC'D FEB 09 2000**

7.1 General (Cont'd)

7.1.1 Channel Types (Cont'd)

For example, a customer may order a 3.152 Mbps facility from a customer designated premises to a Telephone Company Hub for multiplexing to two 1.544 Mbps channels. The 1.544 Mbps channels may be further multiplexed at the same or a different Hub to Voice Grade channels or may be extended to other customer designated premises. Optional features may be added to either the 1.544 Mbps or the Voice Grade Channels.

7.1.2 Rate Categories

There are three basic rate elements which apply to Special Access Service:

- Channel Terminations (described in 7.1.2(A) following)
- Channel Mileage (described in 7.1.2(C) following)
- Optional Features and Functions (described in 7.1.2(E) following)

(A) Channel Termination

The Channel Termination rate category provides for the communications path between a customer designated premises and the serving wire center of that premises. Included as part of the Channel Termination is a standard channel interface arrangement which defines the technical characteristics associated with the type of facilities to which the access service is to be connected at the Point of Termination (POT) and the type of signaling capability, if any. The signaling capability itself is provided as an optional feature as set forth in (E) following. One Channel Termination charge applies per customer designated premises at which the channel is terminated. This charge will apply even if the customer designated premises and the serving wire center are co-located in a Telephone Company building. (T)

**Missouri Public  
Service Commission**

**FILED MAR 10 2000**

ISSUED:  
February 9, 2000

Richard D. Lawson  
State Executive, External Affairs

EFFECTIVE:  
March 10, 2000

UNITED TELEPHONE COMPANY  
OF MISSOURI

Original Page 283

ACCESS SERVICE

RECEIVED

SEP 17 1992

7. Special Access Service (Cont'd)

7.1 General (Cont'd)

MO. PUBLIC SERVICE COMM.

7.1.1 Channel Types (Cont'd)

For example, a customer may order a 3.152 Mbps facility from a customer designated premises to a Telephone Company Hub for multiplexing to two 1.544 Mbps channels. The 1.544 Mbps channels may be further multiplexed at the same or a different Hub to Voice Grade channels or may be extended to other customer designated premises. Optional features may be added to either the 1.544 Mbps or the Voice Grade Channels.

7.1.2 Rate Categories

There are three basic rate elements which apply to Special Access Service:

- Channel Terminations (described in 7.1.2(A) following)
- Channel Mileage (described in 7.1.2(C) following)
- Optional Features and Functions (described in 7.1.2(E) following)

(A) Channel Termination

The Channel Termination rate category provides for the communications path between a customer designated premises and the serving wire center of that premises. Included as part of the Service Termination is a standard channel interface arrangement which defines the technical characteristics associated with the type of facilities to which the access service is to be connected at the Point of Termination (POT) and the type of signaling capability, if any. The signaling capability itself is provided as an optional feature as set forth in (E) following. One Channel Termination charge applies per customer designated premises at which the channel is terminated. This charge will apply even if the customer designated premises and the serving wire center are co-located in a Telephone Company building.

**CANCELLED**

MAR 10 2000

B' \ slZ.P d-1'7\_ . Public  
serv1ce Comnu::>:>|On  
**MISSOURI**

t; w -y  
J L -t J

! :OV ' ? 1992.

MO. PUBLIC SERVICE COMM.

ISSUED:  
September 17, 1992

BY: John L Roe  
Vice President - Administration  
5454 West 110th Street  
Overland Park, Kansas 66211

EFFECTIVE:  
\* Qvt.uabw#b :G!!!!+JF\*  
MDV 1 '992

ACCESS SERVICE

7. Special Access Service (Cont'd)

7.1 General (Cont'd)

7.1.2 Rate Categories (Cont'd)

(B) Reserved for Future Use

(C) Channel Mileage

The Channel Mileage rate category provides for the end office equipment and the transmission channel between the serving wire centers associated with two customer designated premises, between a serving wire center associated with a customer designated premises and a Telephone Company Hub or between two Telephone Company Hubs or between a WATS Serving Office and a Customer serving wire center when the two are not co-located. Channel Mileage rates are made up of the Channel Mileage Facility rate and the Channel Mileage Termination rate. Channel Mileage charges are set forth in Section 7.5.

(1) Channel Mileage Facility

The Channel Mileage Facility rate recovers the cost for the transmission path which extends between the Telephone Company serving wire centers and/or hub(s) and includes primarily outside plant used to provide the facility.

ISSUED:  
March 30, 2007

Mark D. Harper  
Director - State Regulatory  
5454 W. 110th Street  
Overland Park, Kansas 66211

EFFECTIVE:  
April 30, 2007

CANCELLED - Missouri Public Service Commission - 07/14/2023 - IN-2023-0447 - YI-2024-0001

SPRINT MISSOURI, INC.  
d/b/a SPRINT

First Revised Page 284  
Cancels Original Page 284

ACCESS SERVICE

RECEIVED

7. Special Access Service (Cont'd)

JAN 26 2001

7.1 General (Cont'd)

MISSOURI  
Public Service Commission

7.1.2 Rate Categories (Cont'd)

(B) Reserved For Future Use

(C) Channel Mileage

The Channel Mileage rate category provides for the *end office equipment and the transmission channel* between the serving wire centers associated with two customer designated premises, between a serving wire center associated with a customer designated premises and a Telephone Company Hub or between two Telephone Company Hubs or between a WATS Serving Office and a Customer serving wire center when the two are not co-located. Channel Mileage rates are made up of the Channel Mileage Facility rate and the Channel Mileage Termination rate. Channel Mileage charges are set forth in Section 7.5.

(1) Channel Mileage Facility

The Channel Mileage Facility rate recovers the cost for the transmission path which extends between the Telephone Company serving wire centers and/or hub(s) and includes primarily outside plant used to provide the facility.

FILED

FEB 26 2001

MISSOURI  
Public Service Commission

ISSUED:  
January 26, 2001

Richard D. Lawson  
State Executive, External Affairs  
319 Madison  
Jefferson City, MO 65101

EFFECTIVE:  
February 26, 2001

UNITED TELEPHONE COMPANY  
OF MISSOURI

Original Page 284

ACCESS SERVICE

RECEIVED

7. Special Access Service (Cont'd)

SEP 17 1992

7.1 General (Cont'd)

MO. PUBLIC SERVICE COM. 11

7.1.2 Rate Categories (Cont'd)

(B) Reserved For Future Use

(C) Channel Mileage

The Channel Mileage rate category provides for the transmission facilities between the serving wire centers associated with two customer designated premises, between a serving wire center associated with a customer designated premises and a Telephone Company Hub or between two Telephone Company Hubs. Channel Mileage is portrayed in mileage bands. There are two rates that apply for each band, i.e., a Channel Mileage fixed rate and a Channel Mileage per mile rate.

The channel mileage fixed rates are based on the costs of terminations at serving wire centers/hubs. These channel mileage fixed rates do not include any intermediate termination costs, and are applicable only when the facilities terminate in the Telephone Company's serving wire center/hub.

Following are the two methodologies used by the Telephone Company in the development and application of the channel mileage fixed rates.

CANCELLED

JAN 8 1996 # 284  
BY let R.S.  
Public Service Commission  
MISSOURI

11-17-92

NOV 7 1992

MO. PUBLIC SERVICE COM. 11

ISSUED:  
September 17, 1992

BY: John L Roe  
Vice President - Administration  
5454 West 110th Street  
Overland Park, Kansas 66211

EFFECTIVE:  
NOV 7 1992

ACCESS SERVICE

7. Special Access Service (Cont'd)

7.1 General (Cont'd)

7.1.2 Rate Categories (Cont'd)

(C) Channel Mileage (Cont'd)

(2) Channel Mileage Termination

The Channel Mileage Termination rate recovers the cost for end office equipment associated with terminating the facility (i.e., basic circuit equipment and terminations at serving wire centers and hubs). The Telephone Company applies a 50% billing percentage to the channel mileage fixed rate on jointly owned circuits, and applies 100% on wholly owned circuits. When the Channel Mileage Facility is zero (i.e., collocated serving wire centers), neither the Channel Mileage Facility rate nor the Channel Mileage Termination rate will apply.

(D) Reserved for Future Use

ISSUED:  
March 30, 2007

Mark D. Harper  
Director - State Regulatory  
5454 W. 110th Street  
Overland Park, Kansas 66211

EFFECTIVE:  
April 30, 2007

CANCELLED - Missouri Public Service Commission - 07/14/2023 - IN-2023-0447 - YI-2024-0001

SPRINT MISSOURI, INC.  
d/b/a SPRINT

Second Revised Page 285  
Cancels First Revised Page 285

RECEIVED

ACCESS SERVICE

7. Special Access Service (Cont'd)

JAN 26 2001

7.1 General (Cont'd)

MISSOURI  
Public Service Commission

7.1.2 Rate Categories (Cont'd)

(C) Channel Mileage (Cont'd)

(T)

(D)

(D)

(2) *Channel Mileage Termination*

*The Channel Mileage Termination rate recovers the cost for end office equipment associated with terminating the facility (i.e., basic circuit equipment and terminations at serving wire centers and hubs). The Telephone Company applies a 50% billing percentage to the channel mileage fixed rate on jointly owned circuits, and applies 100% on wholly owned circuits. When the Channel Mileage Facility is zero (i.e., collocated serving wire centers), neither the Channel Mileage Facility rate nor the Channel Mileage Termination rate will apply.*

(D)

(C)

(C)

(C)

(D) Reserved for Future Use

FILED

FEB 26 2001

MISSOURI  
Public Service Commission

ISSUED:  
January 26, 2001

Richard O. Lawson  
State Executive, External Affairs  
319 Madison  
Jefferson City, MO 65101

EFFECTIVE:  
February 26, 2001

SPRINT MISSOURI, INC.  
d/b/a SPRINT

First Revised Page 285  
Cancels Original Page 285

ACCESS SERVICE

7. Special Access Service {Cont'd}

Missouri Public  
Service Commission

7.1 General (Cont'd)

REC'O sf : -a .1999

7.1.2 Rate Categories (Cont'd)

(c) Channel Mileage

(1) Applicable to all special access channel mileage fixed rates in this section excluding Digital Data and High Capacity: Channel mileage fixed rates are developed using weighted average costs based on the ownership of terminations. Weighted average costs are derived by dividing total termination costs by the Telephone Company's billable terminations. The Telephone Company applies 100% of the channel mileage fixed rate to each circuit whether wholly or jointly provided. (T)

(2) Applicable to Digital Data and High Capacity channel mileage fixed rates: (T)

Channel Mileage fixed rates are based on the costs of the terminations in the serving wire centers associated with two customer designated premises and/or hubs. The Telephone company applies a 50% billing percentage to the channel mileage fixed rate on jointly owned circuits, and applies 100% on wholly owned circuits. Any future special access rate filings will be administered using this methodology as well.

(D) Reserved for Future Use

CANCEU t=0

(D)

FEB 26 2001

E., - c2t0) > tz\_r rlb S-  
Public <:rv:::e Comnu::s1on  
MISSOURI

Missouri Public  
Service Commission

FILLO r w: ' .: 5 :;ggg

ISSUED:  
September 10, 1999

Richard D. Lawson  
State Executive, External Affairs

EFFECTIVE:  
October 11, 1999

OCT 15 1999



UNITED TELEPHONE COMPANY  
OF MISSOURI

Original Page 285

ACCESS SERVICE

RECEIVED

SEP 17 1992

7. Special Access Service (Cont'd)

7.1 General (Cont'd)

fj/D. fUBUC SE VICE CO fir.i.

7.1.2 Rate Categories (Cont'd)

(C) Channel Mileage

(1) Applicable to all special access channel mileage fixed rates in this section excluding United DigiLink• and United TransLink•: Channel mileage fixed rates are developed using weighted average costs based on the ownership of terminations. Weighted average costs are derived by dividing total termination costs by the Telephone Company's billable terminations. The Telephone Company applies 100% of the channel mileage fixed rate to each circuit whether wholly or jointly provided.

(2) Applicable to United Digilink•and United Translink• channel mileage fixed rates:

Channel Mileage fixed rates are based on the costs of the terminations in the serving wire centers associated with two customer designated premises and/or hubs. The Telephone company applies a 50% billing percentage to the channel mileage fixed rate on jointly owned circuits, and applies 100% on wholly owned circuits. Any future special access rate filings will be administered using this methodology as well

(D) Reserved for Future Use

• Service mark of United Telecommunications, Inc.

CANCELLED

QCI 15 1992  
S11-JV:J  
t\ f s, N ice CommiSSI On  
Pub 1c W, ssOURI

FILED

RWV ? 1992

MO. PUBLIC SERVICE COMMISSION

ISSUED:  
September 17, 1992

BY: John L Roe  
Vice President - Administration  
5454 West 110th Street  
Overland Park, Kansas 66211

EFFECTIVE:  
MJP  
NOV 7 1992

ACCESS SERVICE

7. Special Access Service (Cont'd)

7.1 General (Cont'd)

7.1.2 Rate Categories (Cont'd)

(E) Optional Features and Functions

The Optional Features and Functions rate category provides for optional features and functions which may be added to a Special Access Service to improve its quality or utility to meet specific communications requirements. These are not necessarily identifiable with specific equipment, but rather represent the end result in terms of performance characteristics which may be obtained. These characteristics may be obtained by using various combinations of equipment. Although the equipment necessary to perform a specified function may be installed at various locations along the path of the service, they will be charged for as a single rate element.

Examples of Optional Features and Functions that are available include, but are not limited to, the following:

- Signaling Capability
- Hubbing Functions
- Conditioning

ISSUED:  
March 30, 2007

Mark D. Harper  
Director - State Regulatory  
5454 W. 110th Street  
Overland Park, Kansas 66211

EFFECTIVE:  
April 30, 2007

CANCELLED - Missouri Public Service Commission - 07/14/2023 - IN-2023-0447 - YI-2024-0001

SPRINT MISSOURI, INC.  
d/b/a SPRINT

First Revised Page 286  
Cancels Original Page 286

ACCESS SERVICE

7. Special Access Service (Cont'd)

7.1 General(Cont'd)

7.1.2 Rate Categories (Cont'd)

(E) Optional Features and Functions

The Optional Features and Functions rate category provides for optional features and functions which may be added to a Special Access Service to improve its quality or utility to meet specific communications requirements. These are not necessarily identifiable with specific equipment, but rather represent the end result in terms of performance characteristics which may be obtained. These characteristics may be obtained by using various combinations of equipment. Although the equipment necessary to perform a specified function may be installed at various locations along the path of the service, they will be charged for as a single rate element.

Examples of Optional Features and Functions that are available include, but are not limited to, the following:

- Signaling
- Capability Hubbing
- Functions
- Conditioning

(D)

Missouri Public

REC'D JAN 07 2002

Service Commission

Missouri Public

FILED FEB 07 2002

Service Commission

M  
a  
d  
i  
s  
o  
n

EF  
FECTI  
VE:  
Februar  
y 7.  
2002

Jefferson  
City, MO  
65101

UNITED TELEPHONE COMPANY  
OF MISSOURI

Original Page 286

ACCESS SERVICE

AIECEmED

SEP 171992

7. Special Access Service (Cont'd)

7.1 General (Cont'd)

MO. PUBLIC St:WICE COM.t

7.1.2 Rate Categories (Cont'd)

(E) Optional Features and Functions

The Optional Features and Functions rate category provides for optional features and functions which may be added to a Special Access Service to improve its quality or utility to meet specific communications requirements. These are not necessarily identifiable with specific equipment, but rather represent the end result in terms of performance characteristics which may be obtained. Theses characteristics may be obtained by using various combinations of equipment. Although the equipment necessary to perform a specified function may be installed at various locations along the path of the service, they will be charged for as a single rate element.

Examples of Optional Features and Functions that are available include, but are not limited to, the following:

- Signaling Capability
- Hubbing Functions
- Conditioning
- Transfer Arrangements

**CANCEU n**

FEB 07 2002  
By ST RP 286  
Public Service Commission  
MISSOURI

r.;t.=irJ!

IWV 7 1992

MO. PUBLIC SERVICE COMM.

ISSUED:  
September 17, 1992

BY: John L Roe  
Vice President - Administration  
5454 West 110th Street  
Overland Park, Kansas 66211

EFFECTIVE:  
~~SEP 17 1992~~  
Nov 1 1992

ACCESS SERVICE

7. Special Access Service (Cont'd)

7.1 General (Cont'd)

7.1.2 Rate Categories (Cont'd)

(E) Optional Features and Functions (Cont'd)

A Hub is a Telephone Company designated serving wire center at which bridging or multiplexing functions are performed. The bridging functions performed are to connect three or more customer designated premises in a multipoint arrangement. The multiplexing functions are to channelize digital facilities to individual services requiring a lower capacity or bandwidth.

Descriptions for each of the available Optional Features and Functions are set forth in 7.2 following.

7.1.3 Service Configurations

There are three types of service configurations over which Special Access Services are provided: two-point service, multipoint service and a WATS Access Line.

(A) Two-Point Service

A two-point service connects two customer designated premises, either on a directly connected basis or through a Hub where multiplexing functions are performed.

Applicable rate elements are:

- Channel Terminations
- Channel Mileage (as applicable)
- Optional Features and Functions (when applicable)

ISSUED:  
March 30, 2007

Mark D. Harper  
Director - State Regulatory  
5454 W. 110th Street  
Overland Park, Kansas 66211

EFFECTIVE:  
April 30, 2007

CANCELLED - Missouri Public Service Commission - 07/14/2023 - IN-2023-0447 - YI-2024-0001

UNITED TELEPHONE COMPANY  
OF MISSOURI

Original Page 287

ACCESS SERVICE

RECEIVED

SEP 17 1992

7. Special Access Service (Cont'd)}

MO.PUBLICSERVICECOMM.

7.1 General (Cont'd)

7.1.2 Rate Categories (Cont'd)

(E) Optional Features and Functions (Cont'd)

A Hub is a Telephone Company designated serving wire center at which bridging or multiplexing functions are performed. The bridging functions performed are to connect three or more customer designated premises in a multipoint arrangement. The multiplexing functions are to channelize digital facilities to individual services requiring a lower capacity or bandwidth.

Descriptions for each of the available Optional Features and Functions are set forth in 7.2 following.

7.1. Service Configurations

There are three types of service configurations over which Special Access Services are provided: two-point service, multipoint service and a WATS Access Line.

(A) Two-Point Service

A two-point service connects two customer designated premises, either on a directly connected basis or through a Hub where multiplexing functions are performed.

Applicable rate elements are:

- Channel Terminations
- Channel Mileage (as applicable)
- Optional Features and Functions (when applicable)

FILED

lmv ? 1992.

MO. PUBLIC SERVICE COMM.  
 EFFECTIVE: NOV 7 1992  
 --b-- NP

ISSUED:  
September 17, 1992

BY: John L Roe  
Vice President - Administration  
5454 West 110th Street  
Overland Park, Kansas 66211



ACCESS SERVICE

7. Special Access Service (Cont'd)

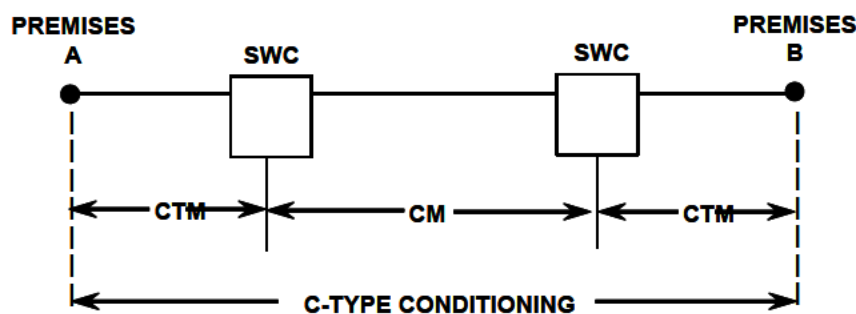
7.1 General (Cont'd)

7.1.3 Service Configurations (Cont'd)

(A) Two-Point Service (Cont'd)

In addition, a Special Access Surcharge as set forth in 7.4.2 following may be applicable.

The following diagram depicts a two-point Voice Grade service connecting two customer designated premises located 15 miles apart. The service is provided with C-Type Conditioning.



**CTM** - Channel Termination  
**CM** - Channel Mileage  
**SWC** - Serving Wire Center

Applicable rate elements are:

- Channel Terminations (2 applicable)
- Channel Mileage (mileage band Over 8 to 25 miles)
- C-Type Conditioning Optional Feature

ISSUED:  
March 30, 2007

Mark D. Harper  
Director - State Regulatory  
5454 W. 110th Street  
Overland Park, Kansas 66211

EFFECTIVE:  
April 30, 2007



SPRINT MISSOURI, INC.  
d/b/a SPRINT

First Revised Page 288  
Cancels Original Page 288

ACCESS SERVICE

**Missouri Public  
Service Commission**

7. Special Access Service (Cont'd)

**RECD FEB 09 ZCJO**

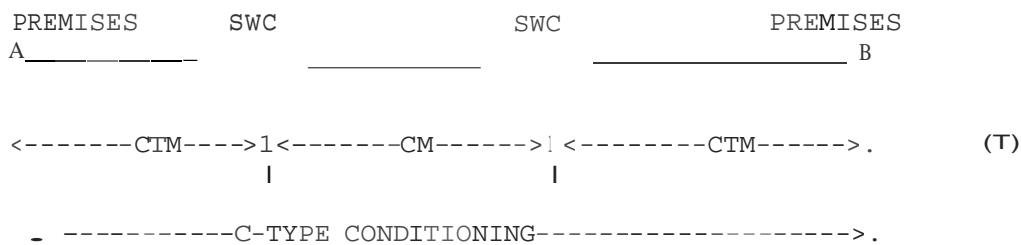
7.1 General (Cont'd)

7.1.3 Service Configurations (Cont'd)

(A) Two-Point Service (Cont'd)

In addition, a Special Access Surcharge as set forth in 7.4.2 following may be applicable. (C)

The following diagram depicts a two-point Voice Grade service connecting two customer designated premises located 15 miles apart. The service is provided with C-Type Conditioning.



CTM -Channel Termination (T)  
CM -Channel Mileage  
SWC -Serving Wire Center

Applicable rate elements are:  
Channel Terminations (2 applicable)  
Channel Mileage (mileage band Over 8 to 25 miles)  
C-Type Conditioning Optional Feature

**Missouri Public  
Service Commission**

**FILED MAR 10 2000**

ISSUED:  
February 9, 2000

Richard D. Lawson  
State Executive, External Affairs

EFFECTIVE:  
March 10, 2000

ACCESS SERVICE

7. Special Access Service (Cont'd)

SEP 17 1992

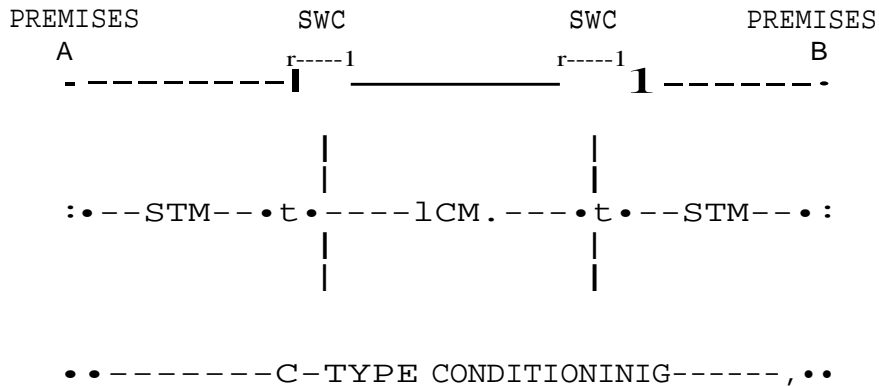
7.1 General (Cont'd)

7.1.3 Service Configurations (Cont'd)

(A) Two-Point Service (Cont'd)

In addition, a Special Access Surcharge as set forth in 7.4.2 following and a Message Station Equipment Recovery Charge as set forth in 7.4.3 following and/or an Inside Wire Recovery Charge as set forth in 7.4.9 following may be applicable.

The following diagram depicts a two-point Voice Grade service connecting two customer designated premises located 15 miles apart. The service is provided with C-Type Conditioning.



STM -Service Termination  
CM -Channel Mileage  
SWC -Serving Wire Center

Applicable rate elements are:

**CANCELLED**

Channel Terminations (2 applicable)  
Channel Mileage (mileage band Over 8 to 25 miles)  
C-Type Conditioning Optional Feature

MAR 10 2000

b \ t !ZPJ 'b .  
Public SeiVice CommiSSion  
MISSOURI

7 1992

ISSUED:  
September 17, 1992

BY: John L Roe  
Vice President - Administration  
5454 West 110th Street  
Overland Park, Kansas 66211

EFFECTIVE:  
3 - -JE p  
NOV 7 1992

ACCESS SERVICE

7. Special Access Service (Cont'd)

7.1 General (Cont'd)

7.1.3 Service Configurations (Cont'd)

(B) Multipoint Service

Multipoint service connects three or more customer designated premises through a Telephone Company Hub. There is no limitation on the number of mid-links available with multipoint service. However, when more than three mid-links are provided in tandem, the quality of the service may be degraded. A mid-link is a channel between Hubs (i.e., bridging locations). Only certain types of Special Access Service are provided as multipoint service. These are so designated in the Service Descriptions set forth in 7.2 following.

Multipoint service utilizing a customized technical specifications package as set forth in 7.2 following will be provided when technically possible. If the Telephone Company determines that the requested characteristics for a multipoint service are not compatible, the customer will be advised and given the opportunity to change the order.

When ordering, the customer will specify the desired bridging Hub(s) selected from the Exchange Carrier Association Tariff. This tariff identifies the type(s) of bridging functions which are available and the serving wire centers at which they are available.

ISSUED:  
March 30, 2007

Mark D. Harper  
Director - State Regulatory  
5454 W. 110th Street  
Overland Park, Kansas 66211

EFFECTIVE:  
April 30, 2007

CANCELLED - Missouri Public Service Commission - 07/14/2023 - IN-2023-0447 - YI-2024-0001

ACCESS SERVICE

7. Special Access Service (Cont'd)

7.1 General (Cont'd)

7.1.3 Service Configurations (Cont'd)

(B) Multipoint Service

Multipoint service connects three or more customer designated premises through a Telephone Company Hub. There is no limitation on the number of mid-links available with multipoint service. However, when more than three mid-links are provided in tandem, the quality of the service may be degraded. A mid-link is a channel between Hubs (i.e., bridging locations). Only certain types of Special Access Service are provided as multipoint service. These are so designated in the Service Descriptions set forth in 7.2 following.

Multipoint service utilizing a customized technical specifications package as set forth in 7.2 following will be provided when technically possible. If the Telephone Company determines that the requested characteristics for a multipoint service are not compatible, the customer will be advised and given the opportunity to change the order.

When ordering, the customer will specify the desired bridging Hub(s) selected from the Exchange Carrier Association Tariff. This tariff identifies the type(s) of bridging functions which are available and the serving wire centers at which they are available.

NOV 1 1992

ISSUED:  
September 17, 1992

BY: John L Roe  
Vice President - Administration  
5454 West 110th Street  
Overland Park, Kansas 66211

EFFECTIVE:  
- :? { ;wi·tN:ee-

NOV 1 1992

ACCESS SERVICE

7. Special Access Service (Cont'd)

7.1 General (Cont'd)

7.1.3 Service Configurations (Cont'd)

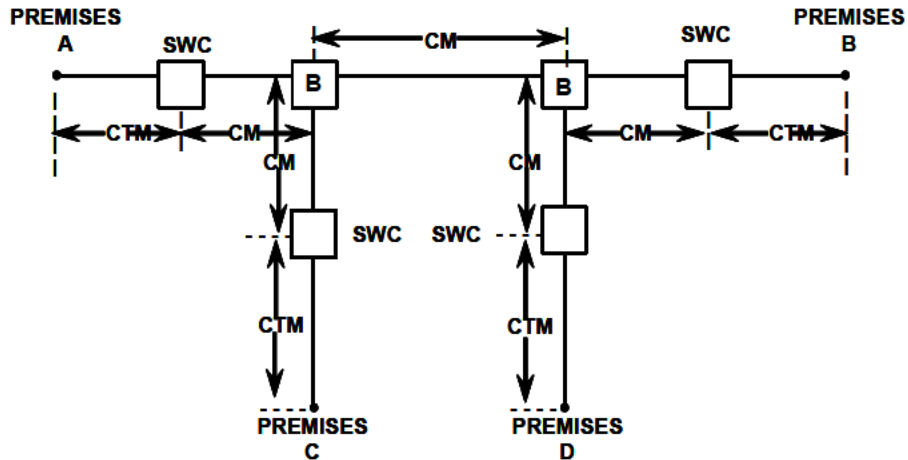
(B) Multipoint Service (Cont'd)

Applicable Rate Elements are:

- Channel Terminations (one per customer designated premises)
- Channel Mileage (as applicable between each designated customer premises and the Hub and between Hubs)
- Bridging
- Additional Optional Features (when applicable)

In addition, the Special Access Surcharge as set forth in 7.4.2 following may be applicable.

Example: Voice Grade multipoint service connecting four customer premises via two customer specified bridging hubs.



- CTM** - Channel Termination
- CM** - Channel Mileage
- B** - Bridging
- SWC** - Serving Wire Center

ISSUED:  
March 30, 2007

Mark D. Harper  
Director - State Regulatory  
5454 W. 110th Street  
Overland Park, Kansas 66211

EFFECTIVE:  
April 30, 2007

CANCELLED - Missouri Public Service Commission - 07/14/2023 - IN-2023-0447 - YI-2024-0001

SPRINT MISSOURI, INC.  
d/b/a SPRINT

First Revised Page 290  
Cancels Original Page 290

fu:;t;g  
IOfl

ACCESS SERVICE

REC'D FEB 09 2000

7. Special Access Service (Cont'd)

7.1 General (Cont'd)

7.1.3 Service Configurations (Cont'd)

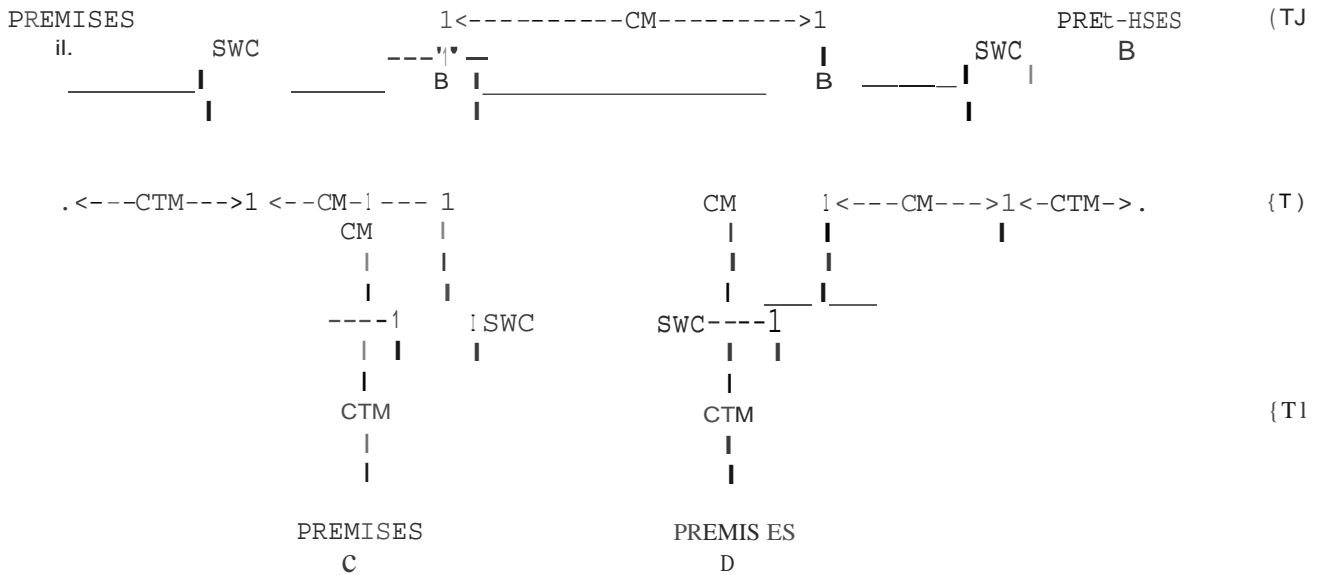
(B) Multipoint Service (Cont'd)

Applicable Rate Elements are:

- Channel Terminations (one per customer designated premises)
- Channel Mileage (as applicable between each designated customer premises and the Hub and between Eubs)
- Bridging
- Additional Optional Features (when applicable)

In addition, (he Special Access Surcharge as set forth in 7.4.2 following may be applicable. (C)

Example: Voice Grade multipoint service connecting four customer premises via two customer specified bridging hubs.



CTM -Channel Termination  
 CM -Channel Mileage  
 B -Bridging  
 SWC -Serving Wire Center

Missouri Public Service Commission

FILED MA 10 2000

ISSUED:  
february 9, 2000

Richard D. Lawson  
State Executive, External Affairs

EFFECTIVE:  
March 10, 2000

ACCESS SERVICE

7. Special Access Service (Cont'd)

SEP 17 1992

7.1 General (Cont'd)

7.1.3 Service Configurations (Cont'd)

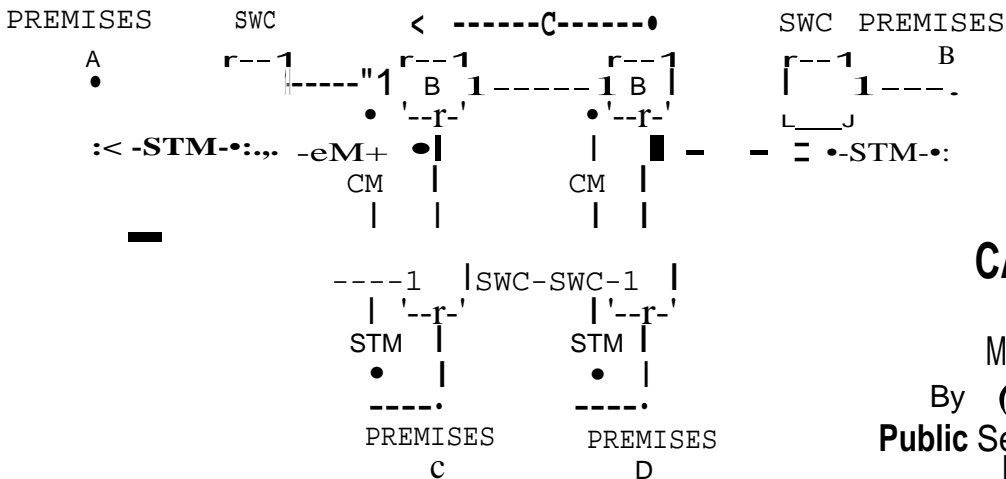
(B) Multipoint Service (Cont'd)

Applicable Rate Elements are:

- Channel Terminations (one per customer designated premises)
- Channel Mileage (as applicable between each designated customer premises and the Hub and between Hubs)
- Bridging
- Additional Optional Features (when applicable)

In addition, the Special Access Surcharge as set forth in 7.4.2 following and a Message Station Equipment Recovery Charge as set forth in 7.4.3 following and/or an Inside Wire Recovery Charge as set forth in 7.4.9 following may be applicable.

Example: Voice Grade multipoint service connecting four customer premises via two customer specified bridging hubs.



STM -Service Termination  
 CM -Channel Mileage  
 B -Bridging  
 SWC -Serving Wire Center

**CANCELLED**

MAR 10 2000

By (S ?(f :2'1o

**Public Service Commission  
MISSOURI**

r:OV a2

I..L:

ISSUED:  
September 17, 1992

BY: John L Roe  
Vice President - Administration  
5454 West 110th Street  
Overland Park, Kansas 66211

EFFECTIVE:  
\_\_\_\_\_, September 17, 1992  
NOV 7 1 Q2

ACCESS SERVICE

7. Special Access Service (Cont'd)

7.1 General (Cont'd)

7.1.3 Service Configurations (Cont'd)

(B) Multipoint Service (Cont'd)

Applicable Rate Elements are:

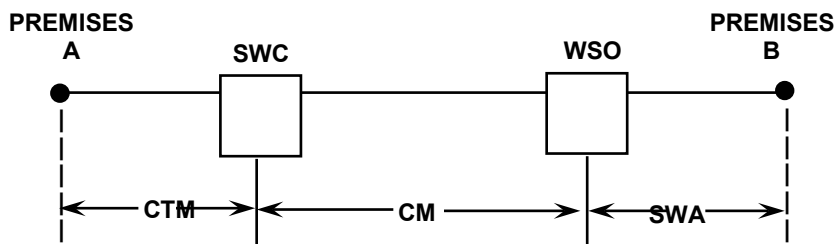
- Channel Terminations (4 applicable)
- Channel Mileage (5 sections, each from appropriate mileage band)
- Bridging (0.6 applicable, i.e., each bridge port)

(C) WATS Access Line Service <sup>[1]</sup>

(C)

WATS Access Line (WAL) provides a Voice Grade Channel Termination and Channel Mileage, where appropriate, between the End User premises and the WATS serving office and is used in conjunction with Switched Access Service as set forth in Paragraph 6.2.5, preceding.

The following diagram depicts a WATS Access Line service connecting a customer designated premises to the WATS serving office. The customer's serving wire center and the WATS serving office are located 10 miles apart.



- CTM - Channel Termination
- CM - Channel Mileage
- SWC - Serving Wire Center
- WSO - WATS Serving Office
- SWA - Switched Access

<sup>[1]</sup> Effective November 1, 2021 WATS Access Line Services are grandfathered. Availability to current customers is limited to circuits in service at existing locations.

(N)  
(N)

ISSUED:  
October 1, 2021

Chantel Miller  
Director Government Operations  
100 CenturyLink Dr.  
Monroe, LA 71203

EFFECTIVE:  
November 1, 2021

MO2021-13

FILED  
Missouri Public  
Service Commission  
JI-2022-0069

CANCELLED - Missouri Public Service Commission - 07/14/2023 - IN-2023-0447 - YI-2024-0001



ACCESS SERVICE

7. Special Access Service (Cont'd)

7.1 General (Cont'd)

7.1.3 Service Configurations (Cont'd)

(B) Multipoint Service (Cont'd)

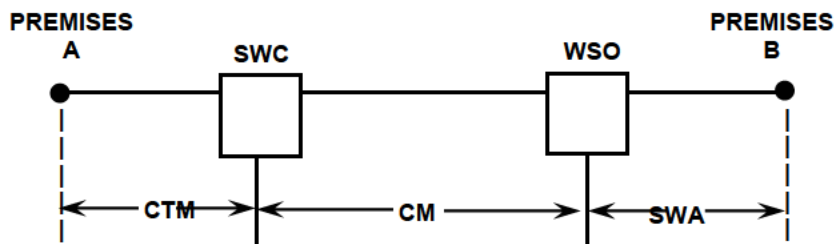
Applicable Rate Elements are:

- Channel Terminations (4 applicable)
- Channel Mileage (5 sections, each from appropriate mileage band)
- Bridging (0.6 applicable, i.e., each bridge port)

(C) WATS Access Line Service

WATS Access Line (WAL) provides a Voice Grade Channel Termination and Channel Mileage, where appropriate, between the End User premises and the WATS serving office and is used in conjunction with Switched Access Service as set forth in Paragraph 6.2.5, preceding.

The following diagram depicts a WATS Access Line service connecting a customer designated premises to the WATS serving office. The customer's serving wire center and the WATS serving office are located 10 miles apart.



- CTM** - Channel Termination
- CM** - Channel Mileage
- SWC** - Serving Wire Center
- WSO** - WATS Serving Office
- SWA** - Switched Access

ISSUED:  
March 30, 2007

Mark D. Harper  
Director - State Regulatory  
5454 W. 110th Street  
Overland Park, Kansas 66211

EFFECTIVE:  
April 30, 2007

SPRINT MISSOURI, INC.  
d/b/a SPRINT

First Revised Page 291  
Cancels Original Page 291

Missouri Public  
Service Commission

ACCESS SERVICE

REC'D FEB 09 2000

7. Special Access Service (Cont'd)

7.1 General (Cont'd)

7.1.3 Service Configurations (Cont'd)

(8) Multipoint Service (Cont'd)

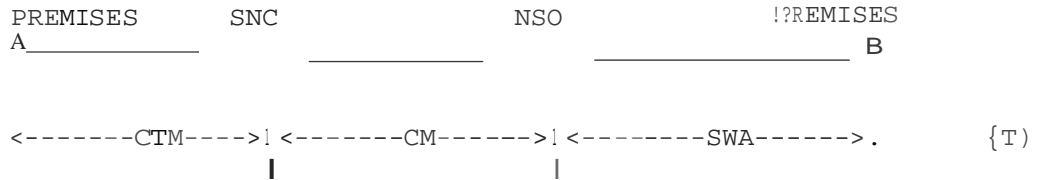
Applicable Rate Elements are:

- Channel Terminations (4 applicable)
- Channel Mileage (5 sections, each from appropriate mileage band)
- Bridging (0.6 applicable, i.e., each bridge port)

(C) WATS Access Line Service

WATS Access Line (WAL) provides a Voice Grade Channel Termination and Channel Mileage, here appropriate, between the End User premises and the WATS serving office and is used in conjunction with Switched Access Service as set forth in Paragraph 6.2.5, preceding.

The following diagram depicts a WATS Access Line service connecting a customer designated premises to the WATS serving office. The customer's serving wire center and the WATS serving office are located 10 miles apart.



- CTM - Channel Termination (T)
- CM - Channel Mileage
- SWC - Serving Wire Center
- WSO - WATS Serving Office
- SWA - Switched Access

Missouri Public  
Service Commission

FILED MAR 10 2000

ISSUED:  
february 9, 2000

Richard D. Lawson  
State Executive, External Affairs

EFFECTIVE:  
tvlarh 10, 2000

ACCESS SERVICE

7. Special Access Service (Cont'd)

SEP 17 1992

7.1 General (Cont'd)

7.1.3 Service Configurations (Cont'd)

(B) Multipoint Service (Cont'd)

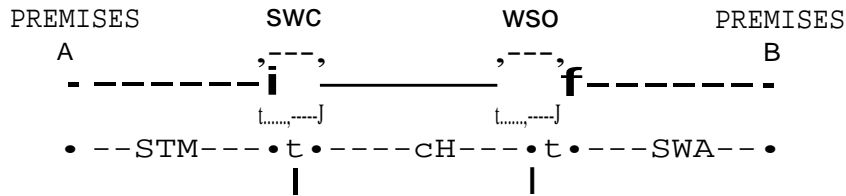
Applicable Rate Elements are:

- Channel Terminations (4 applicable)
- Channel Mileage (5 sections, each from appropriate mileage band)
- Bridging (0.6 applicable, i.e., each bridge port)

(C) WATS Access Line Service

WATS Access Line (WAL) provides a Voice Grade Channel Termination an Channel Mileage, where appropriate, between the End User premise and the WATS serving office and is used in conjunction with Switched Access Service as set forth in Paragraph 6.2.5, preceding.

The following diagram depicts a WATS Access Line service connecting a customer designated premises to the WATS serving office. The customer's serving wire center and the WATS serving office are located 10 miles apart.



- STM - Service Termination
- CM - Channel Mileage
- SWC - Serving Wire Center
- WSO - WATS Serving Office
- SWA - Switched Access

**CANCELLED**

MAR 10 2000  
By I sj: fZ? :1\_9/  
**Public Service Commission**  
**MISSOURI**

RCV 1:1992

ISSUED:  
September 17, 1992

BY: John L Roe  
Vice President - Administration  
5454 West 110th Street  
Overland Park, Kansas 66211

EFFECTIVE:  
tr i.eft.ltNA l'h;d \$52 a  
**NOV7**

ACCESS SERVICE

7. Special Access Service (Cont'd)

7.1 General (Cont'd)

7.1.3 Service Configurations (Cont'd)

(C) WATS Access Line Service <sup>[1]</sup> (Cont'd) (C)

Applicable rate elements for the WATS Access Line are:

- Channel Termination (1 Applicable)
- Channel Mileage (mileage band over 8 to 25 miles)
- Optional Features and Functions (when applicable)

In addition, a Special Access Surcharge, as set forth in 7.4.2, following may be applicable.

7.1.4 Alternate Use

Alternate Use occurs when a service is arranged by the Telephone Company so that the customer can select different types of transmission at different times. A customer may use a service in any privately beneficial manner. However, where technical or engineering changes are required to effectuate an alternate use, the Telephone Company will make such special arrangements available on an individual case basis.

The arrangement required to transfer the service from one operation to the other (i.e., the transfer relay and control leads) will be rated and provided on an individual case basis and filed in Section 12. Specialized Service or Arrangements. The customer will pay the stated tariff rates for the Access Service rate elements for the service ordered (i.e., Channel Terminations, Channel Mileage [as applicable] and Optional Features [if any]).

7.1.5 Special Facilities Routing

A customer may request that the facilities used to pro-vide Special Access Service be specially routed. The regulations, Rates and Charges for Special Facilities Routing (i.e., Avoidance, Diversity and Cable-Only) are set forth in 11. following.

<sup>[1]</sup> **Effective November 1, 2021 WATS Access Line Services are grandfathered. Availability to current customers is limited to circuits in service at existing locations.** (N)  
(N)

ISSUED:  
October 1, 2021

Chantel Miller  
Director Government Operations  
100 CenturyLink Dr.  
Monroe, LA 71203

EFFECTIVE:  
November 1, 2021

MO2021-13

ACCESS SERVICE

7. Special Access Service (Cont'd)

7.1 General (Cont'd)

7.1.3 Service Configurations (Cont'd)

(C) WATS Access Line Service (Cont'd)

Applicable rate elements for the WATS Access Line are:

- Channel Termination (1 Applicable)
- Channel Mileage (mileage band over 8 to 25 miles)
- Optional Features and Functions (when applicable)

In addition, a Special Access Surcharge, as set forth in 7.4.2, following may be applicable.

7.1.4 Alternate Use

Alternate Use occurs when a service is arranged by the Telephone Company so that the customer can select different types of transmission at different times. A customer may use a service in any privately beneficial manner. However, where technical or engineering changes are required to effectuate an alternate use, the Telephone Company will make such special arrangements available on an individual case basis.

The arrangement required to transfer the service from one operation to the other (i.e., the transfer relay and control leads) will be rated and provided on an individual case basis and filed in Section 12. Specialized Service or Arrangements. The customer will pay the stated tariff rates for the Access Service rate elements for the service ordered (i.e., Channel Terminations, Channel Mileage [as applicable] and Optional Features [if any]).

7.1.5 Special Facilities Routing

A customer may request that the facilities used to provide Special Access Service be specially routed. The regulations, Rates and Charges for Special Facilities Routing (i.e., Avoidance, Diversity and Cable-Only) are set forth in 11. following.

ISSUED:  
March 30, 2007

Mark D. Harper  
Director - State Regulatory  
5454 W. 110th Street  
Overland Park, Kansas 66211

EFFECTIVE:  
April 30, 2007

CANCELLED  
November 1, 2021  
Missouri Public  
Service Commission  
JI-2022-0069

**Filed**  
Missouri Public  
Service Commission

SPRINT MISSOURI, INC.  
d/b/a SPRINT

first Revised Page 292  
Cancels Original Page 292

**17Gamm r1'Q**  
**5: \TVir' Q' , , , , , 'on**

ACCESS SERVICE

REC'D FEB 09 2000

7. Special Access Service (Cont'd)

7.1 General (Cont'd)

7.1.3 Service Configurations (Cont'd)

(C) WATS Access Line Service (Cont'd)

Applicable rate elements for the WATS Access Line are:

- Channel Termination (1 Applicable)
- Channel Mileage (mileage band over 8 to 25 miles)
- Optional Features and Functions (when applicable)

In addition, a Special Access Surcharge, as set forth in 7.4.2, following may be applicable. (C)

7.1.1 Alternate Use

Alternate Use occurs when a service is arranged by the Telephone Company so that the customer can select different types of transmission at different times. A customer may use a service in any privately beneficial manner. However, where technical or engineering changes are required to effectuate an alternate use, the Telephone Company will make such special arrangements a aiiabile on an individual case basis.

The arrangement required to transfer the service from one operation to the other (i.e., the transfer relay and control leads) will be rated and provided on an individual case basis and filed in Section 12., Specialized Service or Arrangements. The customer will pay the stated tariff rates for the Access Service rate elements for the service ordered (i.e., Channel Terminations, Channel Mileage [as applicable] and Optional Features (if any)).

7.1.5 Special Facilities Routing

A customer may request that the facilities used to provide Special Access Service be specially routed. The regulations, rates and charges for Special Facilities Routing (i.e., Avoidance, Diversity and Cable-Only) are set forth in 11. following.

**Missouri Public Service Commission**

**FILED MAR 10 2000**

ISSUED:  
february 9, 2000

Richard D. Lawson  
State Executive, External Affairs

EFFECTIVE:  
March 10, 2000

ACCESS SERVICE

SEP 17 1992

7. Special Access Service (Cont'd)

General (Cont'd)

7.1

7.1.3 Service Configurations (Cont'd)

(C) WATS Access Line Service (Cont'd)

Applicable rate elements for the WATS Access Line are:

- Channel Termination (1 Applicable)
- Channel Mileage (mileage band over 8 to 25 miles)
- Optional Features and Functions (when applicable)

In addition, a Special Access Surcharge, as set forth in 7.4.2, following, a Message Station Equipment Recover Charge as set forth in 7.4.3, following, and/or an Inside Wire Recovery Charge as set forth in 7.4.9, following may be applicable.

7.1.4 Alternate Use

Alternate Use occurs when a service is arranged by the Telephone Company so that the customer can select different types of transmission at different times. A customer may use a service in any privately beneficial manner. However, where technical or engineering changes are required to effectuate an alternate use, the Telephone Company will make such special arrangements available on an individual case basis.

The arrangement required to transfer the service from one operation to the other (i.e., the transfer relay and control leads) will be rated and provided on an individual case basis and filed in Section 12., Specialized Service or Arrangements. The customer will pay the stated tariff rates for the Access Service rate elements for the service ordered (i.e., Channel Terminations, Channel Mileage [as applicable] and Optional Features [if any]).

7.1.5 Special Facilities Routing

A customer may request that the facilities used to provide Special Access Service be specially routed. The regulations, rates and charges for Special Facilities Routing (i.e., Avoidance, Diversity and Cable-only) are set forth in 11. following.

**CANCELLED**

MAR 10 2000  
by I ;: IZP QJI--  
Public Service Commission  
MISSOURI

7 1992

i.J.: .. 1

ISSUED:  
September 17, 1992

BY: John L Roe  
Vice President - Administration  
5454 West 110th Street  
Overland Park, Kansas 66211

EFFECTIVE:  
~~September 17, 1992~~  
NOV 7 1992

ACCESS SERVICE

7. Special Access Service (Cont'd)

7.1 General (Cont'd)

7.1.6 Design Layout Report

At the request of the customer, the Telephone Company will provide to the customer the make-up of the facilities and services provided under this tariff as Special Access Service to aid the customer in designing its overall service. This information will be provided in the form of a Design Layout Report. The Design Layout Report will be provided to the customer at no charge, and will be reissued or updated whenever these facilities are materially changed.

7.1.7 Acceptance Testing

At no additional charge, the Telephone Company will, at the customer's request, cooperatively test, at the time of installation, the following parameters:

- (A) For Voice Grade analog services, acceptance tests will include tests for loss 3-tone slope, DC continuity, operational signaling, C-notched noise and C-message noise when these parameters are applicable and specified in the order for service. Additionally, for Voice Grade services, a balance (improved loss) test will be made if the customer has ordered the improved loss optional feature.
- (B) For other analog services and for digital services (i.e., Digital Data and High Capacity Service), acceptance tests will include tests for the parameters applicable to the service as specified in the order for service.

In addition to the above tests, Additional Cooperative Acceptance Testing for Voice Grade Service to test other parameters, as described in 13.3.5(B) following, is available at the customer's request. All test will be made available to the customer upon request.

ISSUED:  
March 30, 2007

Mark D. Harper  
Director - State Regulatory  
5454 W. 110th Street  
Overland Park, Kansas 66211

EFFECTIVE:  
April 30, 2007

CANCELLED - Missouri Public Service Commission - 07/14/2023 - IN-2023-0447 - YI-2024-0001



SPRINT MISSOURI,INC.  
d/b/a SPRINT

Third Revised Page 293  
Cancels Second Revised Page 293

ACCESS SERVICE

MissouriPublic

7. Special Access Service (Cont'd)

REC'O JUL 02 2002

7.1 General (Cont'd)

Service Commission

7.1.6 Design Layout Report

At the request of the customer, the Telephone Company will provide to the customer the make-up of the facilities and services provided under this tariff as Special Access Service to aid the customer in designing its overall service. This information will be provided in the form of a Design Layout Report. The Design Layout Report will be provided to the customer at no charge, and will be reissued or updated whenever these facilities are materially changed.

7.1.7 Acceptance Testing

At no additional charge, the Telephone Company will, at the customer's request, cooperatively test, at the time of installation, the following parameters:

- (A) For Voice Grade analog services, acceptance tests will include tests for loss 3-tone slope, DC continuity, operational signaling, C-notched noise and C-message noise when these parameters are applicable and specified in the order for service. Additionally, for Voice Grade services, a balance (improved loss) test will be made if the customer has ordered the improved loss optional feature.
- (B) For other analog services and for digital services (i.e., Digital Data and High Capacity Service), acceptance tests will include tests for the parameters applicable to the service as specified in the order for service. (0)

In addition to the above tests, Additional Cooperative Acceptance Testing for Voice Grade Service to test other parameters, as described in 13.3.5(8) following, is available at the customer's request. All test will be made available to the customer upon request.

Missouri Public

FILED AUG 12 2002

Service Commission

ISSUED:  
July 2, 2002

Richard D. Lawson  
State Executive, External Affairs  
319 Madison  
Jefferson City, MO 65101

EFFECTIVE:



AUG 12 2002

SPRINT MISSOURI, INC.  
d/b/a SPRINT

Second Revised Page 293  
Cancels First Revised Page 293

ACCESS SERVICE

Missouri Public  
Service Commission

7. Special Access Service (Cont'd)

REC'D FEB 09 2GJO

7.1 General (Cont'd)

7.1.6 Design Layout Report

At the request of the customer, the Telephone Company will provide to the customer the make-up of the facilities and services provided under this tariff as Special Access Service to aid the customer in designing its overall service. This information will be provided in the form of a Design Layout Report. The Design Layout Report will be provided to the customer at no charge, and will be reissued or updated whenever these facilities are materially changed.

7.1.7 Acceptance Testing

At no additional charge, the Telephone Company will, at the customer's request, cooperatively test, at the time of installation, the following parameters:

(A) For Voice Grade analog services, acceptance tests will include tests for loss 3-tone slope, DC continuity, operational signaling, C-notched noise and C-message noise when these parameters are applicable and specified in the order for service. Additionally, for Voice Grade services, a balance (improved loss) test will be made if the customer has ordered the improved loss optional feature.

(B) For other analog services (i.e., Program Audio, Video) and for digital services (i.e., Digital Data and High Capacity Service), acceptance tests will include tests for the parameters applicable to the service as specified in the order for service. (C)

C, t\N\lt  
,r. \1 fl q.. MtJto.  
U- S I/ . ""  
11..C-&- ."  
fl.j\_...;" -  
- \I

In addition to the above tests, Additional Cooperative Acceptance Testing for Voice Grade Service to test other parameters, as described in 13.3.5(B) following, is available at the customer's request. All test will be made available to the customer upon request.

Missouri Public  
Service Commission

FILED MAR 10 2000

SPRINT MISSOURI, INC.  
d/b/a SPRINT

First Revised Page 293  
Cancels Original Page 293

ACCESS SERVICE

Missouri Public  
Service Commission

7. Special Access Service (Cont'd)

REC'O St P 10 1999

7.1 General (Cont'd)

7.1.6 Design Layout Report

At the request of the customer, the Telephone Company will provide to the customer the make-up of the facilities and services provided under *this* tariff as Special Access Service to aid the customer in designing its overall service. This information will be provided in the form of a Design Layout Report. The Design Layout Report will be provided to the customer at no charge, and will be reissued or updated whenever these facilities are materially changed.

7.1.7 Acceptance Testing

At no additional charge, the Telephone Company will, at the customer's request, cooperatively test, at the time of installation, the following parameters:

(A) For Voice Grade analog services, acceptance tests will include tests for loss 3-tone slope, DC continuity, operational signaling, C-notched noise and C-message noise when these parameters are applicable and specified in the order for service. Additionally, for Voice Grade services, a balance (improved loss) test will be made if the customer has ordered the improved loss optional feature.

(B) For other analog services (i.e., Telegraph, Program Audio, Video) and for digital services (i.e., Digital Data and High Capacity Service), acceptance tests will include tests for the parameters applicable to the service as specified in the order for service. (C) (T)

In addition to the above tests, Additional Cooperative Acceptance Testing for Voice Grade Service to test other parameters, as described in 13.3.5(8) following, is available at the customer's request. 1 test will be made available to the customer upon request.

(D)

**CANCELLED**

MA 10 2000  
By J-h K1 )  
Public Service Commission; SJon  
MISSOURI

Missouri Public  
Service Commission

f-jjJ DC T 15 1999

ISSUED:  
September 10, 1999

Richard D. Lawson  
State Executive, External Affairs

EFFECTIVE

OCT 15 1999

ACCESS SERVICE

·n... ,  
J'

7. Special Access Service (Cont'd)

SEP 17 1992

7.1 General (Cont'd)

-----

7.1.6 Design Layout Report

At the request of the customer, the Telephone Company will provide to the customer the make-up of the facilities and services provided under this tariff as Special Access Service to aid the customer in designing its overall service. This information will be provided in the form of a Design Layout Report. The Design Layout Report will be provided to the customer at no charge, and will be reissued or updated whenever these facilities are materially changed.

7.1.7 Acceptance Testing

At no additional charge, the Telephone Company will, at the customer's request, cooperatively test, at the time of installation, the following parameters:

(A) For Voice Grade analog services, acceptance tests will include tests for loss 3-tone slope, DC continuity, operational signaling, C-notched noise and C-message noise when these parameters are applicable and specified in the order for service. Additionally, for Voice Grade services, a balance (improved loss) test will be made if the customer has ordered the improved loss optional feature.

**CANCELLED**

OCT 15 1999  
By ISFRS #293  
Public Service Commission  
MISSOURI

(B) For other analog services (i.e., Metallic, Telegraph, Program Audio, Video) and for digital services (i.e., United DigiLink, United TransLink, and other High Capacity Services), acceptance tests will include tests for the parameters applicable to the service as specified in the order for service.

In addition to the above tests, Additional Cooperative Acceptance Testing for Voice Grade Service to test other parameters, as described in 13.3.5(B) following, is available at the customer's request. All test will be made available to the customer upon request.

• Service mark of United Telecommunications, Inc.

1 QV " 1: "92

" : ' r •  
.....:0 -

ISSUED:  
September 17, 1992

BY: John L Roe  
Vice President - Administration  
5454 West 10th Street  
Overland Park, Kansas 66211

EFFECTIVE:  
3 " ~~10/15/92~~  
HOV 7 1992

ACCESS SERVICE

7. Special Access Service (Cont'd)

7.1 General (Cont'd)

7.1.8 Ordering Options and Conditions

Special Access Service is ordered under the Access Order provisions set forth in 5. preceding. Also included in that section are other charges which may be associated with ordering Special Access Service (e.g., Service Date Change Charges, Cancellation Charges, etc.).

7.2 Service Descriptions

For the purposes of ordering, there are five categories of Special Access Service. These are:

**Voice Grade** <sup>[1]</sup> (VG)  
**Digital Data** <sup>[1]</sup> (DA)  
High Capacity (HC)

(C)  
(C)

Each service consists of a basic channel to which a technical specifications package (customized or predefined), channel interface(s) and, when desired, optional features and functions are added to construct the service desired by the customer. Each of the components of the service is described in this section.

Customized technical specifications packages will be provided where technically feasible. If the Telephone Company determines that the requested parameter specifications are not compatible, the customer will be advised and given the opportunity to change the order.

When a customized channel is ordered the customer will be notified whether Additional Engineering Charges apply. In such cases, the customer will be given an estimate of the hours to be billed before any further action is taken on the order.

**[1] Effective November 1, 2021 Voice Grade and Digital Data Services are grandfathered. Availability to current customers is limited to circuits in service at existing locations.**

(N)  
(N)

ISSUED:  
October 1, 2021

Chantel Miller  
Director Government Operations  
100 CenturyLink Dr.  
Monroe, LA 71203

EFFECTIVE:  
November 1, 2021

MO2021-13

FILED  
Missouri Public  
Service Commission  
JI-2022-0069

CANCELLED - Missouri Public Service Commission - 07/14/2023 - IN-2023-0447 - YI-2024-0001

## ACCESS SERVICE

### 7. Special Access Service (Cont'd)

#### 7.1 General (Cont'd)

##### 7.1.8 Ordering Options and Conditions

Special Access Service is ordered under the Access Order provisions set forth in 5. preceding. Also included in that section are other charges which may be associated with ordering Special Access Service (e.g., Service Date Change Charges, Cancellation Charges, etc.).

#### 7.2 Service Descriptions

For the purposes of ordering, there are five categories of Special Access Service. These are:

Voice Grade (VG)  
Digital Data (DA)  
High Capacity (HC)

Each service consists of a basic channel to which a technical specifications package (customized or predefined), channel interface(s) and, when desired, optional features and functions are added to construct the service desired by the customer. Each of the components of the service is described in this section.

Customized technical specifications packages will be provided where technically feasible. If the Telephone Company determines that the requested parameter specifications are not compatible, the customer will be advised and given the opportunity to change the order.

When a customized channel is ordered the customer will be notified whether Additional Engineering Charges apply. In such cases, the customer will be given an estimate of the hours to be billed before any further action is taken on the order.

ISSUED:  
March 30, 2007

Mark D. Harper  
Director - State Regulatory  
5454 W. 110th Street  
Overland Park, Kansas 66211

EFFECTIVE:  
April 30, 2007

SPRINT MISSOURI, INC.  
d/b/a SPRINT

Fourth Revised Page 294  
Cancels Third Revised Page 294

MissouriPublic

ACCESS SERVICE

REC'O JUL 02 2002

7. Special Access Service (Cont'd)

Service Commission

7.1 General(Conl'd)

7.1.8 Orderins:LOptions and Conditions

SpecialAccess Service is ordered under the Access Order provisions set forth in 5. preceding. Also included in that section are other charges which may be associated with ordering Special Access Service (e.g., Service Date Change Charges, Cancellation Charges,etc.).

7.2 Service Descriptions

For the purposes of ordering, there are five categories of Special Access Service. These are:

Voice Grade (VG)

(D)

DigitalData (DA)

(D)

High Capacity (HC)

Each service consists of a basic channel to which a technical specifications package (customized or predefined), channel interface(s) and, when desired, optional features and functions are added to construct the service desired by the customer. Each of the components of the service is described in this section.

Customized technical specifications packages will be provided where technically feasible. If the Telephone Company determines that the requested parameter specifications are not compatible, the customer will be advised and given the opportunity to change the order.

When a customized channel is ordered the customer will be notified whether Additional Engineering Charges apply. In such cases, the customer will be given an estimate of the hours to be billed before any further action is taken on the order.

MissouriPublic

FILED AUG 12 2002

Service Commission

ISSUED:  
July 2, 2002

Richard D. lawson  
State Executive, External Affairs  
319 Madison  
Jefferson City, MO 65101

~~EFFECTIVE:  
August 12, 2002~~

AUG 12.200t

SPRINT MISSOURI, INC.  
d/b/a/ SPRINT

Third Revised Page 294  
Cancels Second Revised Page 294

ACCESS SERVICE

Missouri Public  
Service Commission

7. Special Access Service (Cont'd)

REC'U FE: 2 0 9 2QJQ

7.1 General (Cont'd)

7.1.8 Ordering Options and Conditions

Special Access Service is ordered under the Access Order provisions set forth in 5. preceding. Also included in that section are other charges which may be associated with ordering Special Access Service {e.g., Service Date Change Charges, Cancellation Charges, etc.}.

7.2 Service Descriptions

For the purposes of ordering, there are five categories of Special Access Service. These are: (C)

- Voice Grade (VG) (D)
- Program Audio (AP)
- Video (TV)
- Digital Data (DA)
- High Capacity (HC)

Each service consists of a basic channel to which a technical specifications package (customized or predefined), channel interface(s) and, when desired, optional features and functions are added to construct the service desired by the customer. Each of the components of the service is described in this section.

Customized technical specifications packages will be provided where technically feasible. If the Telephone Company determines that the requested parameter specifications are not compatible, the customer will be advised and given the opportunity to change the order.

When a customized channel is ordered the customer will be notified whether Additional Engineering Charges apply. In such cases, the customer will be given an estimate of the hours to be billed before any further action is taken on the order.

**CANCELLED**

AUG 12 2002  
14 HRS 294  
Public Service Commission  
MISSOURI

Missouri Public  
Service Commission

FILED MAR 10 2000

ISSUED:  
February 9, 2000

Richard D. Lawson  
State Executive, External Affairs

EFFECTIVE:  
March 10, 2000



SPRINT MISSOURI, INC.  
d/b/a/ SPRINT

Second Revised Page 294  
Cancels First Revised Page 294

ACCESS SERVICE

7. Special Access Service {Cont'd}

Missouri Public  
Service Commission

7.1 General (Cont'd)

REC'D SEP 10 1999

7.1.8 Ordering Options and Conditions

Special Access Service is ordered under the Access Order provisions set forth in 5. preceding. Also included in that section are other charges which may be associated with ordering Special Access Service {e.g., Service Date Change Charges, Cancellation Charges, etc.}.

7.2 Service Descriptions

For the purposes of ordering, there are six categories of Special Access Service. These are: (C)

Telegraph Grade	(TG)	(D)
Voice Grade	(VG)	
Program Audio	(API)	
Video	(TV)	
<b>Digital Data</b>	<b>IDA</b>	(T)
High Capacity	(HC)	(T)
		<b>1D</b>

Each service consists of a basic channel to which a technical specifications package (customized or predefined), channel interface(s) and, when desired, optional features and functions are added to construct the service desired by the customer. Each of the components of the service is described in this section.

Customized technical specifications packages will be provided where technically feasible. If the Telephone Company determines that the requested parameter specifications are not compatible, the customer will be advised and given the opportunity to change the order.

When a customized channel is ordered the customer will be notified whether Additional Engineering Charges apply. In such cases, the customer will be given an estimate of the hours to be billed before any further action is taken on the order.

(D)

**CANCELLED**

MAR 10 2000

By **3 ftf X**  
Public Service Comm. on  
MISSOURI

Missouri Public  
Service Commission

FILED OCT 15 1999

ISSUED:  
September 10, 1999

Richard D. Lawson  
State Executive, External Affairs

EFFECTIVE:

OCT 15 1999

UNITED TELEPHONE COMPANY  
OF MISSOURI

First Revised Page 294  
Cancels Original Page 294

ACCESS SERVICE

RECEIVED

7. Special Access Service (Cont'd)

DEC 07 1995

7.1 General (Cont'd)

MISSOURI

7.1.8

Special Access Service Public

Service Commission

Special Access Service is ordered under the Access Order provisions set forth in 5. preceding. Also included in that section are other charges which may be associated with ordering Special Access Service (e.g., Service Date Change Charges, Cancellation Charges, etc.).

7.2 Service Descriptions

For the purposes of ordering, there are eight categories of Special Access Service. These are: (C)

- Metallic (MT)
- Telegraph Grade (TG)
- Voice Grade (VG)
- Program Audio (AP)
- Video (TV)
- United DigiLink!!!! (DA)
- United TransLink= (HC)
- High Capacity (HC)

CANCELLED

By: jqc {

Public Service Commission  
MISSOURI

Each service consists of a basic channel to which a technical specifications package (customized or predefined), channel interface(s) and, when desired, optional features and functions are added to construct the service desired by the customer. Each of the components of the service is described in this section.

Customized technical specifications packages will be provided where technically feasible. If the Telephone Company determines that the requested parameter specifications are not compatible, the customer will be advised and given the opportunity to change the order.

When a customized channel is ordered the customer will be notified whether Additional Engineering Charges apply. In such cases, the customer will be given an estimate of the hours to be billed before any further action is taken on the order.

Registered Service mark of United Telecommunications, Inc.

JUL - B1996

ISSUED:  
December 7, 1995

BY: John L. Roe  
Vice President - Carrier and Regulatory Services  
5454 West 110th Street  
Overland Park, Kansas 66211

MISSOURI  
Public Service Commission  
January 8, 1996

ACCESS SERVICE

7. Special Access Service (Cont'd)

7.1 General (Cont'd)

7.1.8 Ordering Options and Conditions

Special Access Service is ordered under the Access Order provisions set forth in 5. preceding. Also included in that section are other charges which may be associated with ordering Special Access Service (e.g., Service Date Change Charges, Cancellation Charges, etc.).

7.2 Service Descriptions

For the purposes of ordering, there are seven categories of Special Access Service. These are:

- Metallic (MT)
- Telegraph Grade (TG)
- Voice Grade (VG)
- Program Audio (AP)
- Video (TV)
- United DigiLink (DA)
- United TransLink (HC)
- High Capacity (HC)

CANCELLED  
 JAN 08 1993  
 By ISRS #294  
 Public Service Commission  
 MISSOURI

Each service consists of a basic channel to which a technical specifications package (customized or predefined), channel interface(s) and, when desired, optional features and functions are added to construct the service desired by the customer. Each of the components of the service is described in this section.

Customized technical specifications packages will be provided where technically feasible. If the Telephone Company determines that the requested parameter specifications are not compatible, the customer will be advised and given the opportunity to change the order.

When a customized channel is ordered the customer will be notified whether Additional Engineering Charges apply. In such cases, the customer will be given an estimate of the hours to be billed before any further action is taken on the order.

• Registered Service mark of United Telecommunications, Inc.,

Overland, <sup>192</sup> Park, Kansas  
66211

ISSUED:  
September 17, 1992

BY: John L Roe  
Vice President - Administration  
5454 West 110th Street

10.0000

EFFECTIVE:  
SCL:iiifHii!" W, •i;fi'

HOV 7 1992

## ACCESS SERVICE

### 7. Special Access Service (Cont'd)

#### 7.2 Service Descriptions (Cont'd)

The channel description specifies the characteristics of the basic channel and indicates whether the channel is provided between customer designated premises, or is provided between a customer designated premises and a Telephone Company Hub where bridging or multiplexing functions are performed.

Information pertaining to the technical specifications packages indicates the transmission parameters that are available with each package. This information is displayed in a matrix with the transmission parameters listed down the left side and the packages listed across the top. Each package is identified by a code, e.g., VGC. The first two letters of the code indicate the category of Special Access Service to which the parameters are applicable. These two letter codes are shown above in parentheses following the category of Special Access Service. The letter "C" following the two letter code indicates the technical specifications package for a customized service. A numeric or alpha-numeric designation following the two letter code indicates the specific predefined package. For a customized service, the customer may select any parameters available with that category of service as long as the parameters are compatible. When appropriate, the Technical Reference which contains detailed specifications for the parameters is shown following the matrix.

Channel interfaces at each point of termination on a two-point service may be symmetrical or asymmetrical. On a multipoint service they may also be symmetrical or asymmetrical. However, communications can only be provided between points of termination with compatible channel interfaces. Only certain channel interfaces are compatible. These are set forth in 7.3.5 following in a combination format.

Only certain channel interface combinations are available with the predefined technical specifications packages. These are delineated in the Technical References set forth at the end of the 7.2. When a customized channel is requested, all channel interface combinations available with the specified type of service are available with the customized channel.

ISSUED:  
March 30, 2007

Mark D. Harper  
Director - State Regulatory  
5454 W. 110th Street  
Overland Park, Kansas 66211

EFFECTIVE:  
April 30, 2007

CANCELLED - Missouri Public Service Commission - 07/14/2023 - IN-2023-0447 - YI-2024-0001

## ACCESS SERVICE

## 7. Special Access Service (Cont'd)

7.2 Service Descriptions (Cont'd)

The channel description specifies the characteristics of the basic channel and indicates whether the channel is provided between customer designated premises, or is provided between a customer designated premises and a Telephone Company Hub where bridging or multiplexing functions are performed.

Information pertaining to the technical specifications packages indicates the transmission parameters that are available with each package. This information is displayed in a matrix with the transmission parameters listed down the left side and the packages listed across the top. Each package is identified by a code, e.g., VGC. The first two letters of the code indicate the category of Special Access Service to which the parameters are applicable. These two letter codes are shown above in parentheses following the category of Special Access Service. The letter C following the two letter code indicates the technical specifications package for a customized service. A numeric or alpha-numeric designation following the two letter code indicates the specific predefined package. For a customized service, the customer may select any parameters available with that category of service as long as the parameters are compatible. When appropriate, the Technical Reference which contains detailed specifications for the parameters is shown following the matrix.

Channel interfaces at each point of termination on a two-point service may be symmetrical or asymmetrical. On a multipoint service they may also be symmetrical or asymmetrical. However, communications can only be provided between points of termination with compatible channel interfaces. Only certain channel interfaces are compatible. These are set forth in 7.3.5 following in a combination format.

Only certain channel interface combinations are available with the predefined technical specifications packages. These are delineated in the Technical References set forth at the end of the 7.2. When a customized channel is requested, all channel interface combinations available with the specified type of service are available with the customized channel.

ISSUED:  
September 17, 1992

BY: John L Roe  
Vice President - Administration  
5454 West 110th Street  
Overland Park, Kansas 66211

EFFECTIVE:  
C18ieabwJ:HJ.\119

NOV 7 1992

ACCESS SERVICE

7. Special Access Service (Cont'd)

7.2 Service Descriptions (Cont'd)

The optional features and functions available with each type of Special Access Service are described in this section. The optional features and functions information also indicates with which technical specifications packages they are available. Such information is displayed in a matrix with the optional feature or function listed down the left side and the technical specifications package listed across the top.

The Telephone Company will maintain existing transmission specifications on services installed prior to the effective date of this tariff, except that the existing services with performance specifications exceeding the standard listed in this provision will be maintained at the performance levels specified in this tariff. All services installed after the effective date of this tariff will conform to the transmission specification standards contained in this tariff or in the following Technical Reference for each category of service:

<b>Voice Grade</b> <sup>[1]</sup>	GR-3334 TR-NWT-000335 MDP-326-584	(C)
<b>Digital Data</b> <sup>[1]</sup>	TR-NWT-000341 and MDP-326-726	(C)
High Capacity	GR-342 GR-54	

7.2.1 Reserved for Future Use

<sup>[1]</sup> **Effective November 1, 2021 Voice Grade and Digital Data Services are grandfathered. Availability to current customers is limited to circuits in service at existing locations.** (N)  
(N)

ISSUED:  
October 1, 2021

Chantel Miller  
Director Government Operations  
100 CenturyLink Dr.  
Monroe, LA 71203

EFFECTIVE:  
November 1, 2021

MO2021-13

FILED  
Missouri Public  
Service Commission  
JI-2022-0069

CANCELLED - Missouri Public Service Commission - 07/14/2023 - IN-2023-0447 - YI-2024-0001

ACCESS SERVICE

7. Special Access Service (Cont'd)

7.2 Service Descriptions (Cont'd)

The optional features and functions available with each type of Special Access Service are described in this section. The optional features and functions information also indicates with which technical specifications packages they are available. Such information is displayed in a matrix with the optional feature or function listed down the left side and the technical specifications package listed across the top.

The Telephone Company will maintain existing transmission specifications on services installed prior to the effective date of this tariff, except that the existing services with performance specifications exceeding the standard listed in this provision will be maintained at the performance levels specified in this tariff. All services installed after the effective date of this tariff will conform to the transmission specification standards contained in this tariff or in the following Technical Reference for each category of service:

Voice Grade	GR-3334 TR-NWT-000335 MDP-326-584
Digital Data	TR-NWT-000341 and MDP-326-726
High Capacity	GR-342 GR-54

7.2.1 Reserved for Future Use

ISSUED:  
March 30, 2007

Mark D. Harper  
Director - State Regulatory  
5454 W. 110th Street  
Overland Park, Kansas 66211

EFFECTIVE:  
April 30, 2007



SPRINT MISSOURI, INC.  
d/b/a SPRINT

Fourth Revised Page 296  
Cancels Third Revised Page 296

ACCESS SERVICE

MissouriPublic

7. Special Access SeNice (Cont'd)

REC'O JUL 02 2002

7.2 Service Descriptions (Cont'd)

The optional features and functions available with each type of service are described in this section. The optional features and functions information also indicates with which technical specifications packages they are available. Such information is displayed in a matrix with the optional feature or function listed down the left side and the technical specifications package listed across the top.

The Telephone Company will maintain existing transmission specifications on services installed prior to the effective date of this tariff, except that the existing services with performance specifications exceeding the standard listed in this provision will be maintained at the performance levels specified in this tariff. All services installed after the effective date of this tariff will conform to the transmission specification standards contained in this tariff or in the following Technical Reference for each category of service:

Voice Grade	GR-3334 TR-NWT-000335 MDP-326-584
Digital Data	TR-NWT-000341 and MDP-326-726
High Capacity	GR-342 GR-54

(D)  
(D)

7.2.1 Reserved For Future Use

MissouriPublic

FILED AUG 12 2002

Service Commission

ISSUED:  
July 2, 2002

Richard D. Lawson  
State Executive, External Affairs  
319 Madison  
Jefferson City, MO 65101

EFFECTIVE:  
August 12, 2002

AUG 12 2002

SPRINT MISSOURI, INC.  
d/b/a SPRINT

Third Revised Page 296  
Cancels Second Revised Page 296

ACCESS SERVICE

Missouri Public

7. Special Access Service (Cont'd)

REC'D JAN 15 2002

7.2 Service Descriptions (Cont'd)

Service Commission

The optional features and functions available with each type of Special Access Service are described in this section. The optional features and functions information also indicates with which technical specifications packages they are available. Such information is displayed in a matrix with the optional feature or function listed down the left side and the technical specifications package listed across the top.

The Telephone Company will maintain existing transmission specifications on services installed prior to the effective date of this tariff, except that the existing services with performance specifications exceeding the standard listed in this provision will be maintained at the performance levels specified in this tariff. All services installed after the effective date of this tariff will conform to the transmission specification standards contained in this tariff or in the following Technical Reference for each category of **service:**

Voice Grade	GR-3334 TR-NWT-000335 MDP-326-584
Program Audio	GR-337
Video	GR-338
Digital Data	TR-NWT-000341 and MDP-326-726
High Capacity	GR-342 GR-54

(T)  
|  
(T)

7.2.1 Reserved For Future Use

**CANCELLED**  
AUG 12 2002  
By 4HRS 296  
Public Service Commission  
MISSOURI

Missouri Public

FILED FEB 15 2002

Service Commission

ISSUED:  
January 15, 2002

Richard D. Lawson  
State Executive, External Affairs  
319 Madison  
Jefferson City, MO 65101

EFFECTIVE:  
February 15, 2002

SPRINT MISSOURI, INC.  
d/b/a SPRINT

Second Revised Page 296  
Cancels First Revised Page 296



ACCESS SERVICE

7. Special Access Service (Cont'd)

REC'D F £8 0 9 Z000

7.2 Service Descriptions (Cont'd)

The optional features and functions available with each type of Special Access Service are described in this section. The optional features and functions information also indicates with which technical specifications packages they are available. Such information is displayed in a matrix with the optional feature or function listed down the left side and the technical specifications package listed across the top.

The Telephone Company will maintain existing transmission specifications on services installed prior to the effective date of this tariff, except that the existing services with performance specifications exceeding the standard listed in this provision will be maintained at the performance levels specified in this tariff. All services installed after the effective date of this tariff will conform to the transmission specification standards contained in this tariff or in the following Technical Reference for each category of service:

(D)

Voice Grade	TR-NPL-000334
	TR-NPL-000335
	PUB 41001, Table 4
Program Audio	TR-NPL-000337
Video	TR-NPL-000338
Digital Data	PUB 62507 and associated Addendum
	PUB 62310
High Capacity	PUB 62508
	PUB 62411

7.2.1 Reserved For Future Use

CANCaL !!

FEB 15 2002

b.t 314--(k\_p a '10  
> u :c...ca Cmpn "" "" ion  
MISSOURI ..



FILED MAR 10 2000

ISSUED:  
February 9, 2000

Richard D. Lawson  
State Executive, External Affairs

EFFECTIVE:  
March 10, 2000

SPRINT MISSOURI, INC.  
d/b/a SPRINT

First Revised Page 296  
Cancels Original Page 296

ACCESS SERVICE

Missouri Public  
Utilities Commission

7. Special Access Service (Cont'd)

REC'D SE.) 1. '1999

7.2 Service Descriptions (Cont'd)

The optional features and functions available with each type of Special Access Service are described in this section. The optional features and functions information also indicates with which technical specifications packages they are available. Such information is displayed in a matrix with the optional feature or function listed down the left side and the technical specifications package listed across the top.

The Telephone Company will maintain existing transmission specifications on services installed prior to the effective date of this tariff, except that the existing services with performance specifications exceeding the standard listed in this provision will be maintained at the performance levels specified in this tariff. All services installed after the effective date of this tariff will conform to the transmission specification standards contained in this tariff or in the following Technical Reference for each category of service:

Telegraph Grade	TR-NPL-000336	(D)
Voice Grade	TR-NPL-000334	
	TR-NPL-000335	
	PUB 41001, Table 4	
Program Audio	TR-NPL-000337	
Video	TR-NPL-000338	
Digital Data	PUB 62507 and associated Addendum	(T)
	PUB 62310	
High Capacity	PUB 62508	(T)
	PUB 62411	
		(D)
		(D)

7.2.1 Reserved For Future Use

(C)

(D)

**CANCELLED**

M.LI 1.0 2000  
By .1( \_..!ZP /")qlf  
Public Service Co mission  
MISSOURI

Missouri Public  
Utilities Commission (D)

FILED OCT 15 1999 (D)

ISSUED:  
September 10, 1999

Richard D. Lawson  
State Executive, External Affairs

EFFECTIVE:  
[Redacted]

OCT 15 1999

ACCESS SERVICE

SEP 17 1992

7. Special Access Service (Cont'd)

7.2 Service Descriptions (Cont'd)

The optional features and functions available with each type of Special Access Service are described in this section. The optional features and functions information also indicates with which technical specifications packages they are available. Such information is displayed in a matrix with the optional feature or function listed down the left side and the technical specifications package listed across the top.

The Telephone Company will maintain existing transmission specifications on services installed prior to the effective date of this tariff, except that the existing services with performance specifications exceeding the standard listed in this provision will be maintained at the performance levels specified in this tariff. All services installed after the effective date of this tariff will conform to the transmission specification standards contained in this tariff or in the following Technical Reference for each category of service:

Metallic	TR-NPL-0.00336
Telegraph Grade	TR-NPL-000336
Voice Grade	TR-NPL-000334
	TR-NPL-000335
	PUB 41001, Table 4
Program Audio	TR-NPL-000337
Video	TR-NPL-000338
United DigiLink•	PUB 62507 and associated Addendum
	PUB 62310
United TransLink•	PUB 62508
	PUB 62411
High Capacity	PUB 62508
	PUB 62411

**CANCELLED**

OCT 15 1999

By \Qt S\$01-Cf(q .  
Public Service CommiSSION  
MISSOURI

7.2.1 Metallic Service

(A) Basic Channel Description

A Metallic is an unconditioned two-wire channel capable of transmitting low speed varying signals at rates up to 30 baud. This channel is provided by metallic or equivalent facilities. Metallic channels are provided between customer designated premises or between a customer designated premises and a Telephone Company Hub where bridging functions are performed. Interoffke metallic facilites will be limited in length to a totiil of five miles per Channel.

NOV 7 1992

• Service mark of United Telecommunications, Inc.

ISSUED:  
September 17, 1992

BY: John L Roe  
Vice President - Administration  
5454 West 110th Street  
Overland Park, Kansas 66211

EFFECTIVE:  
~~September 17, 1992~~  
NOV 7 1992

ACCESS SERVICE

7. Special Access Service (Cont'd)

7.2 Service Descriptions (Cont'd)

7.2.1 Reserved for Future Use (Cont'd)

CANCELLED - Missouri Public Service Commission - 07/14/2023 - IN-2023-0447 - YI-2024-0001

ISSUED:  
March 30, 2007

Mark D. Harper  
Director - State Regulatory  
5454 W. 110th Street  
Overland Park, Kansas 66211

EFFECTIVE:  
April 30, 2007

SPRINT MISSOURI, INC.  
d/b/a SPRINT

First Revised Page 297  
Cancels Original Page 297

ACCESS SERVICE

7. Special Access Service (Cont'd)

7.2 Service Descriptions (Cont'd)

7.2.1 Reserved For Future Use (Cont'd)

RECORDS SECTION  
OCT 15 1999

(C)

(O)

(D)

ISSUED:  
September 10, 1999

Richard D. Lawson  
State Executive, External Affairs

EFFECTIVE:  
October 15, 1999

UNITED TELEPHONE COMPANY  
OF MISSOURI

Original Page 297

ACCESS SERVICE

SEP 17 1992

7. Special Access Service (Cont'd)

7.2 Service Descriptions (Cont'd)

7.2.1 Metallic Service (Cont'd)

(B) Technical Specifications Packages

Parameter	Package MT-		
	Q*	I.	.1
DC Resistance			
Between Conductors	X	X	X
Loop Resistance	X		X
shunt Capacitance	X		X

The technical specifications are delineated in Technical Reference TR-NPL-000333.

(C) Channel Interfaces

Compatible channel interfaces are set forth in 7,3.5(A) following.

\*All parameters are available within the ranges selected by the customer where technically feasible.

**CANCELLED**

OCT 15 1999  
by 1st 28#297  
Public Service Commission  
MISSOURI

NOV 7 1992

ISSUED:  
September 17, 1992

BY: John L Roe  
Vice President - Administration  
5454 West 110th Street  
Overland Park, Kansas 66211

EFFECTIVE:  
~~\_\_\_\_\_~~  
NOV 7 1992



ACCESS SERVICE

7. Special Access Service (Cont'd)

7.2 Service Descriptions (Cont'd)

7.2.1 Reserved for Future Use (Cont'd)

7.2.2 Reserved for Future Use

CANCELLED - Missouri Public Service Commission - 07/14/2023 - IN-2023-0447 - YI-2024-0001

ISSUED:  
March 30, 2007

Mark D. Harper  
Director - State Regulatory  
5454 W. 110th Street  
Overland Park, Kansas 66211

EFFECTIVE:  
April 30, 2007

SPRINT MISSOURI, INC.  
d/b/a SPRINT

Second Revised Page 298  
Cancels first Revised Page 298

ACCESS SERVICE

MISSOURI PUBLIC  
Service Commission

7. Special Access Service {Cont'd}

REFER 04 JUL 0

7.2 Service Descriptions (Cont'd)

7.2.1 Reserved For Future Use (Cont'd)

7.2.2 Reserved For Future Use

(C)

(D)

(0)

MISSOURI PUBLIC  
Service Commission

FILED MAR 10 2000

ISSUED:  
February 9, 2000

Richard D. Lawson  
State Executive, External Affairs

EFFECTIVE:  
March 10, 2000

SPRINT MISSOURI, INC.  
d/b/a SPRINT

First Revised page 298  
Cancels Original Page 298

ACCESS SERVICE

7. Special Access Service (Cont'd)

7.2 Service Descriptions (Cont'd)

7.2.1 Reserved For Future Use (Cont'd)

Missouri Public  
Service Commission

REC'D SUJ 1a 1999(c)

(D)

7.2.2 Tel\_egraph Grade Service

(A) Basic Channel Description

A Telegraph Grade channel is an unconditioned channel capable of transmitting binary signals at rates of 0-75 baud or 0-150 baud. This channel is furnished for **half-duplex or duplex operation.** Telegraph channels are provided between customer designated premises or between a customer designated premises or between a customer designated premises and a Telephone Company Hub.

(D)

**CANCELLED**

MAR 10 2000  
& J110r RP 221  
Public Service Commission  
MISSOURI

Missouri Public  
Service Commission

FILED J: 1999

ISSUED:  
Septernbec 10, 1999

Richard D. Lawson  
State Executive, External Affairs

M&PiiiiUWM

OCT 15 1999

ACCESS SERVICE

7. Special Access Service (Cont'd)

SEP 17 1992

7.2 Service Descriptions (Cont'd)

7.2.1 Metallic Service (Cont'd)

(D) Optional Features and Functions

(1) Central Office Bridging Capability

(a) Three Premises Bridging - Provision of tip-to-tip and ring-to-ring connection in a central office of a metallic pair to a third customer designated premises.

(b) Series Bridging of up to 26 customer designated premises.

The following table shows the technical specifications packages with which the optional features and functions are available.

	Available with Technical Specifications Package MT-		
	1	1.	
Three Premises Bridging	X		X
Series Bridging	X		X

**CANCELLED**

7.2.2 Telegraph Grade Service

(A) Basic Channel Description

A Telegraph Grade channel is an unconditioned channel capable of transmitting binary signals at rates of 0-75 baud or 0-150 baud. This channel is furnished for half-duplex or duplex operation. Telegraph channels are provided between customer designated premises or between a customer designated premises or between a customer designated premises and a Telephone Company Hub.

ocr 1s 1999  
1\_pC1'6  
PuJi sl Jy c o W miSSION

32.

ISSUED:  
September 17, 1992

BY: John L Roe  
Vice President - Administration  
5454 West 10th Street  
Overland Park, Kansas 66211

EFFECTIVE:  
118M'fitJa\* 1-ti:Me

NOV 7 1992

ACCESS SERVICE

7. Special Access Service (Cont'd)

7.2 Service Descriptions (Cont'd)

7.2.2 Reserved for Future Use (Cont'd)

7.2.3 **Voice Grade Service** <sup>[1]</sup>

(C)

(A) Basic Channel Description

A Voice Grade channel is a channel which provides voice frequency transmission capability in the nominal frequency range of 300 to 3000 Hz and may be terminated two-wire or four-wire. Voice Grade channels are provided between customer designated premises or between a customer designated premises and a Telephone Hub.

<sup>[1]</sup> **Effective November 1, 2021 Voice Grade and Digital Data Services are grandfathered. Availability to current customers is limited to circuits in service at existing locations.**

(N)  
(N)

ISSUED:  
October 1, 2021

Chantel Miller  
Director Government Operations  
100 CenturyLink Dr.  
Monroe, LA 71203

EFFECTIVE:  
November 1, 2021

MO2021-13

FILED  
Missouri Public  
Service Commission  
JI-2022-0069

CANCELLED - Missouri Public Service Commission - 07/14/2023 - IN-2023-0447 - YI-2024-0001

ACCESS SERVICE

7. Special Access Service (Cont'd)

7.2 Service Descriptions (Cont'd)

7.2.2 Reserved for Future Use (Cont'd)

7.2.3 Voice Grade Service

(A) Basic Channel Description

A Voice Grade channel is a channel which provides voice frequency transmission capability in the nominal frequency range of 300 to 3000 Hz and may be terminated two-wire or four-wire. Voice Grade channels are provided between customer designated premises or between a customer designated premises and a Telephone Hub.

ISSUED:  
March 30, 2007

Mark D. Harper  
Director - State Regulatory  
5454 W. 110th Street  
Overland Park, Kansas 66211

EFFECTIVE:  
April 30, 2007

CANCELLED  
November 1, 2021  
Missouri Public  
Service Commission  
JI-2022-0069

**Filed**  
Missouri Public  
Service Commission

SPRINT MISSOURI, INC.  
d/b/a SPRINT

First Revised Page 299  
Cancels Original Page 299

M; i' i G=.; ;c; ;  
... ;/ ...< ...: ...: ...: ...: ;,0

ACCESS SERVICE

REC'D FEB 09 2000

- 7. Special Access Service (Cont'd)
  - 7.2 Service Descriptions (Cont'd)
    - 7.2.2 Reserved For Future Use (Cont'd)

(C)

(D)

(D)

7.2.3 Voice Grade Service

(A) Basic Channel Description

A Voice Grade channel is a channel which provides voice frequency transmission capability in the nominal frequency range of 300 to 3000 Hz and may be terminated two-wire or four-wire. Voice Grade channels are provided between customer designated premises or between a customer designated premises and a Telephone Hub.

(D)

(D)

Missouri Public  
Service Commission

FILED MAR 10 2000

ISSUED:  
february 9, 2000

Richard D. Lawson  
State Executive, External Affairs

EFFECTIVE:  
t-march 10, 2000

UNITED TELEPHONE COMPANY  
OF MISSOURI

Original Page 299

ACCESS SERVICE

7. Special Access Service (Cont'd)

SEP 17 1992

7.2 Service Descriptions (Cont'd)

7.2.2 Telegraph Grade Service (Cont'd)

(B) Technical Specifications Packages

Parameter	<u>Package TG-</u>		
	<u>£!</u>	<u>!.!</u>	<u>!.</u>
Telegraph Distortion	X	X	X

The technical specifications are delineated in Technical Reference TR-NPL-000336

(C) Channel Interfaces

Compatible channel interfaces are set forth in 7.3.5(8) following.

(D) Optional Features and Functions

(1) Telegraph Bridging (two-wire and four-wire)

The following table shows the technical specifications packages with which the optional features and functions are available.

Telegraph Bridging	<u>Available with Technical Specifications Package TG-</u>		
	<u>£</u>	<u>!.!</u>	<u>!.</u>
	X	X	X

7.2.3 Voice Grade Service

**CANCELLED**

(A) Basic Channel Description

A Voice Grade channel is a channel which provides voice frequency transmission capability in the nominal frequency range of 300 to 3000 Hz and may be terminated two-wire or four-wire. Voice Grade channels are provided between customer designated premises or between a customer designated premises and a Telephone Hub.

\*All parameters are available within the ranges selected by the customer where technically feasible.

t:OV ?-.92

i..1.;

. J.

MAR 10 2000  
By *st flp ;z*  
Public Service Commission  
MISSOURI

ISSUED:  
September 17, 1992

BY: John L Roe  
Vice President - Administration  
5454 West 110th Street  
Overland Park, Kansas 66211

EFFECTIVE:  
'OA'tm• i-7,'PI9g!'tc  
NOV 7 1992