

GENERAL EXCHANGE TARIFF

UNITED TELEPHONE COMPANY  
OF MISSOURI

First Revised Page 1  
Cancels Original Page 1

SHARED TENANT SERVICES

A. GENERAL

Shared Tenant Service (STS) is the provision of local exchange access services by the Telephone Company, to the STS customer at an STS building for the purpose of the STS customer reselling or sharing the service with the STS subscribers.

STS equipment must meet state and federal codes with respect to telecommunication equipment. The STS customer must provide access to police, fire, 911 and other emergency services, where available; and must permit access to all Interexchange Carriers.

B. DEFINITIONS

The following definitions apply to the provisioning of STS, in addition to those found in Section 10 of this tariff.

1. Shared Tenant Service (STS) Customer - Any person, corporation or other entity that provides STS within a user group and that is certificated to do so by the Missouri Public Service Commission (PSC).
2. Shared Tenant Service (STS) Subscriber - Any person, corporation or other entity occupying an STS building and is furnished telephone service by the STS customer.
3. Shared Tenant Service (STS) Building - A structure under one roof on one premise, which is wholly located in a single Telephone Company exchange and/or wire center and in which telephone service to STS subscribers is provided by an STS customer. Two or more structures on one premise which are connected by an enclosed or covered passageway are not considered a single STS building. STS may be provided in less than a building but it must be confined to a contiguous premise. Exceptions to this provision must be approved by the Missouri PSC.
4. New Shared Tenant Service (STS) Building - For the purpose of this tariff, a newly constructed building is defined as a building in which the Telephone Company has not previously provided permanent distribution facilities adequate to serve the occupants of the building. The provision of service to contractors during the building's construction is not considered permanent distribution facilities.

ISSUED:  
September 8, 1993

BY: Richard D. Lawson  
State Executive, External Affairs  
319 Madison  
Jefferson City, MO 65101

EFFECTIVE:  
October 11, 1993

GENERAL EXCHANGE TARIFF

UNITED TELEPHONE COMPANY  
OF MISSOURI

Original Page 1

(Reserved for future filings)

RECEIVED

SEP 17 1992

MISSOURI  
Public Service Commission

**CANCELLED**

OCT 11 1993  
BY lot R.S. #1  
Public Service Commission  
MISSOURI

**FILED**

NOV 7 1992

MO. PUBLIC SERVICE COMM.

EFFECTIVE:

~~October 17, 1992~~

NOV 7 1992

ISSUED:  
September 17, 1992

BY: John L. Roe  
Vice President - Administration  
5454 West 110th Street  
Overland Park, Kansas 66211

GENERAL EXCHANGE TARIFF

UNITED TELEPHONE COMPANY  
OF MISSOURI

Original Page 2

SHARED TENANT SERVICES

C. CONDITIONS

1. STS is provided for the exclusive use of the STS customer, his/her employees and his STS subscribers.
2. The STS customer may only offer STS to the occupants of a single STS building and not members of the general public.
3. Application for STS, and application for changes in the service, must be made by the STS customer. The STS customer is responsible for payment of all charges incurred, whether such charges are associated with services provided for the use of the STS customer or services provided for the use of STS subscribers that are served by the STS arrangement. The STS customer has total responsibility for the administration, control and utilization of the resale and sharing of the service.
4. The STS customer will limit the provision of shared or resold services to a single STS building, unless it obtains a waiver from the Missouri PSC.
5. If the STS customer files an application for certification and/or a waiver of the single building limitations with the Missouri PSC, a copy of the application and/or waiver request(s) must be sent concurrently to the Legal Department of United Telephone - Midwest by the STS customer. The address is 5454 W. 110th Street, Overland Park, KS 66211.
6. The service furnished to the STS customer shall always be classified as a business service for the purpose of the application of tariff rates.
7. The STS customer must utilize a Private Branch Exchange (PBX) which is registered with the Federal Communications Commission (FCC) and riser cable which conforms to all electrical codes and the Telephone Company's technical standards for riser cable or transmission facilities.
8. The STS customer may furnish his services through one or more PBXs but is restricted to the authorized limitations of the STS building as defined by this tariff or under a PSC waiver. If there is more than one PBX, the Telephone Company is required to provide only one point of termination.
9. Riser cable that is installed or acquired by an STS customer or building owner must be the wholly owned property of the STS customer or building owner. It may not be leased or mortgaged by a third party. In addition, an easement in the riser cable shall be given to the Telephone Company at its request.
10. In existing buildings where the Telephone Company has installed the riser cable, the STS customer may either contract for a fee for the use of the Telephone Company's riser cable or install its own.

ISSUED:  
September 8, 1993

BY: Richard D. Lawson  
State Executive, External Affairs  
319 Madison  
Jefferson City, MO 65101

EFFECTIVE:  
October 11, 1993

GENERAL EXCHANGE TARIFF

UNITED TELEPHONE COMPANY  
OF MISSOURI

Original Page 3

SHARED TENANT SERVICES

C. CONDITIONS (Cont'd)

11. Service arrangements furnished to accredited public and private educational institutions which provide telecommunications services to students, faculty members or employees residing in dormitories or other residential quarters owned, leased or under control of the educational institution are not considered to be STS arrangements.
12. To provide service to any customer wanting service directly from the Telephone Company at any STS building, the STS customer or building owner will:
  - a. Provide the Telephone Company without charge immediate and continuing right-to-use of the riser cable and other facilities within the STS building, not owned by the Telephone Company, necessary to serve its customers.
  - b. Provide the Telephone Company with immediate continuing access and use of any existing Telephone Company facilities within the STS building, at no charge to the Telephone Company. Should the STS customer or building owner request the Telephone Company to move, remove or rearrange any of its existing facilities within the STS building, the STS customer or building owner will give the Telephone Company right-of-way to make such moves or rearrangements and they will be charged a rate based on the costs.
  - c. Provide to the Telephone Company additional access and right-of-way, to enable it to place additional facilities within the STS building to serve Telephone Company customers, at no charge to the Company.
13. Where a resale of sharing arrangement is suspected at a location that is not authorized to be Shared Tenant Service, the Telephone Company will notify the Missouri PSC. If the customer fails to seek certification from the Missouri PSC to provide Shared Tenant Service, the Telephone Company shall have the right to terminate such service.
14. A Shared Tenant Service customer is entitled to one business listing in the alphabetical and classified sections of the directory. When requested by the STS customer, additional listings, as specified in Section 9 of this tariff, may be provided for the STS subscribers. Additional listings will be charged at business rates.
15. The Telephone Company will distribute to the STS customer local directories as provided for in Section 25 of this tariff.

ISSUED:  
September 8, 1993

BY: Richard D. Lawson  
State Executive, External Affairs  
319 Madison  
Jefferson City, MO 65101

EFFECTIVE:  
October 11, 1993

GENERAL EXCHANGE TARIFF

UNITED TELEPHONE COMPANY  
OF MISSOURI

Original Page 4

SHARED TENANT SERVICES

C. CONDITIONS (Cont'd)

16. The Telephone Company will terminate its facilities and locate the network interface at an STS building in accordance with existing tariffs and FCC rules and regulations, and will not be responsible for service quality beyond the interconnection (network interface) with the STS customer's equipment.
17. The provision of service to an STS customer for the purpose of resale or sharing shall in no way reduce the rights of the Telephone Company nor impose additional responsibility or liability upon the Telephone Company with respect to suspension or discontinuance of service for reasons of, but not limited to, impairment of service, abandonment, abuse or nonpayment of charges.
18. When a Shared Tenant Service customer is in violation of any of the provisions in this section, the Telephone Company will promptly notify the STS customer of the violation. The STS customer shall correct the violation and shall confirm in writing to the Telephone Company within ten (10) days, following the receipt of written notice, that the violation has been corrected. Failure of the STS customer to correct the violation and to give the required written confirmation to the Telephone Company within the time stated above shall result in suspension of the STS customer's service until such time as the STS customer complies with the provisions of this tariff.
19. The Telephone Company shall have the right to require a deposit from an STS customer in accordance with the regulations specified in Section 1 of this tariff.
20. The Company has the right to refuse to install STS or to permit STS to remain on any premises when the public in general may make use of the STS service.

D. PROVISIONING OF SERVICE

1. Provisioning of STS consists of the serving central office line equipment, all outside plant facilities needed to connect the Telephone Company's serving central office with the STS building and the network interface. These facilities are provided and maintained by the Telephone Company and provide access to and from the telecommunication network for both long distance service and local calling.
2. Charges for service connections, moves, removals and changes apply in addition to any other applicable charges as set forth in this and other Telephone Company tariffs.
3. Charges for rates for directory assistance calls, as provided by the Telephone Company, are set forth in Section 40 of this tariff.

ISSUED:  
September 8, 1993

BY: Richard D. Lawson  
State Executive, External Affairs  
319 Madison  
Jefferson City, MO 65101

EFFECTIVE:  
October 11, 1993

GENERAL EXCHANGE TARIFF

SPRINT MISSOURI, INC.  
d/b/a SPRINT

First Revised Page 5  
Cancels Original Page 5  
Missouri Public  
Service Commission

SHARED TENANT SERVICES

REC'D JAN 26 2000

D. PROVISIONING OF SERVICE (Cont'd)

- 4. The STS customer assumes the total and exclusive responsibility for compliance with all rules and regulations governing the use of the service including the use of service by the STS customer's subscribers.
- 5. Customer provided Payphone Line Service Telephones shall access the local exchange telephone network through a separate access line provided directly by the Telephone Company and may not be provided as a station behind a PBX. All other regulations pertaining to Payphone Line Service are included in Section 29. (CT)
- 6. The Telephone Company's responsibility for the provision of exchange service, private line service, data service or other facility type services ends at the point of connection (network interface) to the STS customer's PBX and does not extend to STS subscribers. (CT)
- 7. The STS customer must provide the Telephone Company a written estimate of the type and number of facilities which will be required to service the STS customer's building. In newly constructed buildings, as defined in Paragraph B.4, this estimate must be furnished to the Telephone Company at least 180 days prior to the establishment of the Shared Tenant Service.
- 8. In the event an STS customer requests service in a newly constructed building, as defined in Paragraph B.4, in less than 180 days prior to the requested in-service date, the STS customer will be responsible for the incremental cost of any facilities, in excess of the facilities requested, which the Telephone Company may have already constructed in anticipation of providing service directly to the occupants of the building. Payment of these charges must be received before STS will be provided to the STS customer.

E. RESPONSIBILITY OF THE STS CUSTOMER

In addition to the obligations set forth in Section 25 of this tariff, STS customers shall have the following obligations:

- 1. The STS customer must comply with all applicable federal, state and local laws and regulations concerning the use of telephone service to disabled and/or hearing impaired persons.
- 2. The STS customer will indemnify and hold the Telephone Company harmless for any damage to STS subscribers, the building owner, subsequent tenants and subsequent purchasers of the building resulting from compliance with the STS customer's requests or the terms of this tariff.
- 3. Whenever "notice" is required, the Telephone Company will be responsible to give notice only to the STS customer or its authorized agent. The STS customer will notify its subscribers as necessary.

ISSUED:  
January 26, 2000

EFFECTIVE:  
BY: Richard D. Lawson  
State Executive, External Affairs  
319 Madison  
Jefferson City, MO 65101

CANCELLED  
October 19, 2009  
Missouri Public  
Service Commission  
TN-2010-0086; JI-2010-0155

FILED MAR 24 2000

UNITED TELEPHONE COMPANY  
OF MISSOURI

GENERAL EXCHANGE TARIFF

Original Page 5

**RECEIVED**

SHARED TENANT SERVICES

D. PROVISIONING OF SERVICE (Cont'd)

4. The STS customer assumes the total and exclusive responsibility for compliance with all rules and regulations governing the service including the use of service by the STS customer.
5. Customer provided semi-public telephone instruments shall access the local exchange telephone network through a separate access line provided directly by the Telephone Company and may not be provided as a station behind a PBX. All other regulations pertaining to semi-public service are included in Section 29.
6. The Telephone Company's responsibility for the provision of exchange service, private line service, data service or other facility type services ends at the point of connection (network interface) to the STS customer's PBX and does not extend to STS subscribers.
7. The STS customer must provide the Telephone Company a written estimate of the type and number of facilities which will be required to service the STS customer's building. In newly constructed buildings, as defined in Paragraph B.4, this estimate must be furnished to the Telephone Company at least 180 days prior to the establishment of the Shared Tenant Service.
8. In the event an STS customer requests service in a newly constructed building, as defined in Paragraph B.4, in less than 180 days prior to the requested in-service date, the STS customer will be responsible for the incremental cost of any facilities, in excess of the facilities requested, which the Telephone Company may have already constructed in anticipation of providing service directly to the occupants of the building. Payment of these charges must be received before STS will be provided to the STS customer.

SEP 08 1993  
MISSOURI  
Public Service Commission

E. RESPONSIBILITY OF THE STS CUSTOMER

In addition to the obligations set forth in Section 25 of this tariff, STS customers shall have the following obligations:

1. The STS customer must comply with all applicable federal, state and local laws and regulations concerning the use of telephone service to disabled and/or hearing impaired persons.
2. The STS customer will indemnify and hold the Telephone Company harmless for any damage to STS subscribers, the building owner, subsequent tenants and subsequent purchasers of the building resulting from compliance with the STS customer's requests or the terms of this tariff.
3. Whenever "notice" is required, the Telephone Company will be responsible to give notice only to the STS customer or its authorized agent. The STS customer will notify its subscribers as necessary.

**FILED**

OCT 11 1993

MISSOURI  
Public Service Commission

CANCELLED

MAR 24 2000

By Public Service Commission  
MISSOURI

ISSUED:  
September 8, 1993

BY: John L. Roe  
Vice President - Administration  
5454 West 110th Street  
Overland Park, Kansas 66211

EFFECTIVE:  
October 11, 1993

P.S.C. MO.-No. 22 Section 19  
GENERAL EXCHANGE TARIFF

UNITED TELEPHONE COMPANY  
OF MISSOURI

Original Page 6

SHARED TENANT SERVICES

E. RESPONSIBILITY OF THE STS CUSTOMER (Cont'd)

4. The STS customer will be solely responsible for referral of calls for a reasonable period of time in the event an STS subscriber relocates outside the STS building or obtains telephone service from the Telephone Company or others.
5. The STS customer must use only riser cable that meets the Telephone Company's technical standards for riser cable or transmission facilities. The Telephone Company has the right to inspect the riser cable before the connection of service to the STS customer, to verify that the Telephone Company's technical standards have been met. In disputed cases concerning whether the STS customer's riser cable does or does not meet the Telephone Company's technical standards, the PSC Staff shall have the power to require the STS customer to comply with these standards.
6. The STS customer is responsible for payment of all charges billed, including long distance and private line charges, associated with this service. The applicable Rules and Regulations, regarding bill payments and suspensions are included in Section 25 of this tariff. In the event the STS customer receives notice from the Telephone Company of pending service suspension, the STS customer will have sole responsibility to notify its STS subscribers at least two (2) days prior to the date of the pending suspension.
7. The STS customer is responsible for any allocation, proration or distribution of any charge billed to him/her by the Telephone Company.
8. All trouble reports are to be directed to the Telephone Company by the STS customer.
9. In the event an STS customer intends to discontinue the provision of resold and/or shared local exchange service to its STS building, the STS customer must provide both the Telephone Company and all STS subscribers written notice of its intended discontinuance at least 180 days prior to the proposed discontinuance.
10. The STS customer shall provide to the Telephone Company the number of access lines and types of service provided, and the location of the STS subscribers they serve.
11. In an existing building which is converted to STS, the STS customer must notify in writing, 90 days prior to the establishment of STS, any existing Telephone Company customers that they may continue to receive service from the Telephone Company. A copy of the notice should be provided to the Telephone Company, at the address listed in Paragraph C.5 of this tariff.

ISSUED:  
September 8, 1993

BY: Richard D. Lawson  
State Executive, External Affairs  
319 Madison  
Jefferson City, MO 65101

EFFECTIVE:  
October 11, 1993



GENERAL EXCHANGE TARIFF

UNITED TELEPHONE COMPANY  
OF MISSOURI

Original Page 7

SHARED TENANT SERVICES

E. RESPONSIBILITY OF THE STS CUSTOMER (Cont'd)

12. The Shared Tenant Service customer shall notify its STS subscribers in writing, that they have no right to retain any telephone number associated with the service, and that if any STS subscriber ceases utilization of the STS customer's service, that subscriber will not be permitted to retain the same telephone number.

F. RATES

1. Rates for STS are the same as the trunk rates specified in Section 16 of the General Exchange Tariff.
2. Rates for services other than STS are those as specified in the appropriate tariffs of the Telephone Company.

ISSUED:  
September 8, 1993

BY: Richard D. Lawson  
State Executive, External Affairs  
319 Madison  
Jefferson City, MO 65101

EFFECTIVE:  
October 11, 1993

**ASYNCHRONOUS TRANSFER MODE (ATM) SERVICE**

(N)

**I. DESCRIPTION**

- A. Asynchronous Transfer Mode (ATM) Service is a connection-oriented fast packet local, intraLATA, and intrastate interLATA network service that permits the transmission of high speed data, voice, and video traffic utilizing cell switching technology. ATM is offered for local, intraLATA and intrastate interLATA use where Telephone Company facilities exist. ATM cells are fixed length cells that provide symmetrical or asymmetrical duplex transmissions. Utilizing statistical multiplexing, ATM Service enables customers to allocate circuit bandwidth to applications as needed on virtual paths or channels. ATM Service allows multiple communications applications to be transmitted within multiple paths or channels utilizing common fiber optic or copper facilities. ATM Service is primarily designed for businesses with multiple locations requiring the transport of data, voice, or video traffic among the sites. ATM Service allows for the interconnection of Customer Premises Equipment (CPE) that is ATM compatible.**
- B. Permanent Virtual Circuits (PVCs) are logical channels between the customer's premises and ports on an ATM switch or between ATM switches. PVCs are duplex channels that are established via the service order process. Separate PVCs must be established to each customer location at which the customer desires ATM Service. PVC channels are virtual channels that are established in software tables. Multiple PVCs can be defined over a single ATM User Network Interface (UNI), thereby providing a single access line with the capability to transmit data, voice, and video to multiple destinations simultaneously. A PVC can be set up as either a Virtual Path (VP) or a Virtual Channel (VC) type connection. A VP may contain multiple VCs, referred to as tunneling. Tunneling allows customers to establish VCs or end to end connections between the customer CPE, via VPs.**
- C. ATM Service requires the use of CPE that functions as a multiplexer, aggregator, concentrator, or router. This CPE must be purchased separately from the ATM Service and must conform to the Consultative Committee for International Telecommunication Union (ITU) Standards, ATM Forum Standards, and Telephone Company ATM CPE standards. Only Telephone Company standardized equipment may be connected to the ATM network. The CPE functions to accumulate customer data and transfers it into an ATM format suitable for transmission over the ATM Network.**
- D. In the operation of ATM, the CPE captures arriving data into fixed-length ATM 53-byte cells. These cells contain a 48-byte cell user information segment, and a five-byte header containing a Virtual Path Identifier (VPI) and a Virtual Channel Identifier (VCI), identifying which PVC in the network should be used to forward the cell to the proper destination. The CPE sends the cells into the ATM Network over a dedicated access facility called an ATM Access Line that includes a UNI, which is a port on the ATM switch. The ATM switch, usually located in the Telephone Company central office, reads identifying header information and routes the cell to the proper destination based on a pre-established PVC, over a VP and/or VC.**

(N)

ISSUED:  
June 25, 2001

BY: Richard D. Lawson  
State Executive, External Affairs  
319 Madison  
Jefferson City, MO 65101

EFFECTIVE:  
July 25, 2001

GENERAL EXCHANGE TARIFF

UNITED TELEPHONE COMPANY  
OF MISSOURI

Original Page 1

(Reserved for future filings)

RECEIVED

SEP 17 1992

MISSOURI  
Public Service Commission

**CANCELLED**

JUL 25 2001

By JST RPI

Public Service Commission  
MISSOURI

**FILED**

NOV 7 1992

MO. PUBLIC SERVICE COMM.

EFFECTIVE:

~~October 17, 1992~~

NOV 7 1992

ISSUED:  
September 17, 1992

BY: John L. Roe  
Vice President - Administration  
5454 West 110th Street  
Overland Park, Kansas 66211

ASYNCHRONOUS TRANSFER MODE (ATM) SERVICE

I. DESCRIPTION (Cont'd)

- E. ATM Service is capable of handling the requirements of bursty data sources because of the ability of the service to allocate additional bandwidth when not in use by other sources. ATM Service can also transmit delay sensitive traffic such as voice and video, on the same physical circuit, but with different Quality of Service (QoS) on separate PVCs, within the same physical circuit.
- F. ATM Service is provided to the customer in the form of an ATM Access Line (a physical line, either fiber or copper) from the Customer Designated Location (CDL), an ATM UNI port on the ATM switch, and the ATM network bandwidth via a PVC or multiple PVCs. The ATM UNI port access options available are: DS1, 2xDS1, 4xDS1, 6xDS1, DS3, and OC3. OC3 service is available at tariff rates only from serving central offices that have an ATM switch. OC3 service is available at Individual Case Basis (ICB) rates from serving central offices that do not have an ATM switch. Information Rate (IR) or equivalent bandwidth in the network required to support Quality of Service parameters, for PVCs is available in bands ranging from 56 Kbps/64 Kbps up to 155 Mbps.
- G. The actual equivalent bandwidth or IR for aggregated PVC bandwidths cannot exceed the port speed, or the port line transfer rate. The customer must specify a category of service (or Quality of Service, "QoS") for each PVC to be connected to the ATM network. The QoS category defines the performance parameters for each connection to meet specific networking requirements. The Telephone Company provides three categories of service:
1. Constant Bit Rate (CBR), for delay or timing sensitive traffic such as voice or interactive video, provides a constant data rate and consistent delay parameters throughout the ATM network. CBR PVCs are given the highest priority in the ATM network, and are provisioned to provide the minimum Cell Delay Variation (CDV) or "jitter". The Peak Cell Rate (PCR), which is the highest transmission rate the logical connection will allow, must be specified by the customer.
  2. Variable Bit Rate (VBR-nrt), a non-real time service designed for bursty data applications that provides a pre-assigned variable bit rate. VBR-nrt requires two traffic parameters: (1) PCR, which defines the maximum rate of transmission, and (2) Sustained Cell Rate (SCR), which provides an average information rate expected on the connection. Customers must specify the SCR for VBR-nrt ATM Service. Oversubscription is allowed with VBR.
  3. Unspecified Bit Rate (UBR), takes advantage of excess network bandwidth and is best suited for communication applications where timing of delivered data is not critical. UBR is well suited to Internet protocol LAN traffic, which has inherent reliability, and can tolerate occasional cell discarding. PCR and SCR values are not used with UBR. An advantage of UBR is that ATM cells can be transmitted up to the port line rate, if available, rather than being limited to a predefined maximum PCR, as with VBR and CBR. However, a minimum level of bandwidth is not guaranteed. UBR PVCs must be ordered at the same transmission speed as the port with which it is associated.

ISSUED:  
June 25, 2001

BY: Richard D. Lawson  
State Executive, External Affairs  
319 Madison  
Jefferson City, MO 65101

EFFECTIVE:  
July 25, 2001

GENERAL EXCHANGE TARIFF

Embarq Missouri, Inc.  
d/b/a Embarq

First Revised Page 3  
Cancels Original Page 3

ASYNCHRONOUS TRANSFER MODE (ATM) SERVICE

I. DESCRIPTION (Cont'd)

- H. Since multiple PVCs may be defined on one physical port, it is possible for the cumulative data IRs of multiple PVCs to exceed the physical bandwidth of the port. This is referred to as oversubscription, and when this occurs there will be no guarantee that the IR defined for the port and PVC will be available at any point in time.
- I. IRs are traffic management parameters that allow the customer to fine tune implementation of ATM Service. The IRs of PVCs can be customer specified and can be ordered in increments of bandwidth. IRs can be used on CBR and VBR-nrt PVCs only. IRs for UBR are by definition not used, and IRs can be up to the line rate or the UNI port transfer rate. UBR uses available network bandwidth and is a "best effort" service; therefore there are no guarantees with the delivery of UBR traffic. An IR is assigned to each PVC symmetrically (two-way).
- J. For CBR PVCs, the customer may specify IRs in terms of PCR. The maximum PCR for a CBR PVC is limited to 99% of the port transfer rate. When CBR traffic is mixed with VBR-nrt and UBR on the same port, the sum of all the PCRs associated with the CBR PVCs must not exceed 50% of the maximum IR of the ATM port. The PCR should never exceed the PCR available at the lowest port access between the local and remote locations. For VBR PVCs, the value of the SCR for ATM traffic may be defined between 20%-70% of the PCR. The user can burst above the PCR for short periods only. The limit for VBR-nrt transmission at the PCR is 250 cells. This limit is called the Maximum Burst Size (MBS). If the MBS is exceeded, a period of lower activity must follow to meet the SCR. UBR traffic IRs are not specified and use only available network bandwidth and may burst up to the line rate.

II. DEFINITIONS

- A. ATM Access Line (ATM-AL) - Provides access to the ATM Network. An ATM Access Line includes both the physical dedicated local loop and a UNI port on the ATM switch.
- B. ATM Class of Service – Refers to service categories defined by the ATM Forum which define the traffic parameters for each PVC. These categories, CBR, VBR, and UBR and their related parameters, partially define the traffic between the Telephone Company and the customer for each PVC.
- C. ATM Network Link (ATM-NL) – ATM Network Links are used to physically connect the Telephone Company ATM network with the ATM network of any adjacent Local Exchange Carrier. ATM Network Links are offered in the same port speeds as the ATM Access Lines.
- D. ATM Port - A port on the ATM network that is used to interconnect other Telephone Company provided private line services such as **TransLink**, a digital cross connect system port to ATM or an ICB contract transport solution. The ATM Port is the physical entry point for PVCs. Ports include the electronic equipment used in connecting these service elements to the ATM Network and enable customers to allocate bandwidth to applications as needed.
- E. ATM Service Network Serving Area – Area encompassing certain serving area points. Serving area points are those Telephone Company central offices designated for the ATM Network.

(T)

ISSUED:  
September 8, 2006

BY: Darlene N. Terry  
Manager - Tariffs  
5454 W. 110th Street  
Overland Park, KS 66211

EFFECTIVE:  
~~October 8, 2006~~  
October 13, 2006

ASYNCHRONOUS TRANSFER MODE (ATM) SERVICE

I. DESCRIPTION (Cont'd)

- H. Since multiple PVCs may be defined on one physical port, it is possible for the cumulative data IRs of multiple PVCs to exceed the physical bandwidth of the port. This is referred to as oversubscription, and when this occurs there will be no guarantee that the IR defined for the port and PVC will be available at any point in time.
- I. IRs are traffic management parameters that allow the customer to fine tune implementation of ATM Service. The IRs of PVCs can be customer specified and can be ordered in increments of bandwidth. IRs can be used on CBR and VBR-nrt PVCs only. IRs for UBR are by definition not used, and IRs can be up to the line rate or the UNI port transfer rate. UBR uses available network bandwidth and is a "best effort" service; therefore there are no guarantees with the delivery of UBR traffic. An IR is assigned to each PVC symmetrically (two-way).
- J. For CBR PVCs, the customer may specify IRs in terms of PCR. The maximum PCR for a CBR PVC is limited to 99% of the port transfer rate. When CBR traffic is mixed with VBR-nrt and UBR on the same port, the sum of all the PCRs associated with the CBR PVCs must not exceed 50% of the maximum IR of the ATM port. The PCR should never exceed the PCR available at the lowest port access between the local and remote locations. For VBR PVCs, the value of the SCR for ATM traffic may be defined between 20%-70% of the PCR. The user can burst above the PCR for short periods only. The limit for VBR-nrt transmission at the PCR is 250 cells. This limit is called the Maximum Burst Size (MBS). If the MBS is exceeded, a period of lower activity must follow to meet the SCR. UBR traffic IRs are not specified and use only available network bandwidth and may burst up to the line rate.

II. DEFINITIONS

- A. ATM Access Line (ATM-AL) - Provides access to the ATM Network. An ATM Access Line includes both the physical dedicated local loop and a UNI port on the ATM switch.
- B. ATM Class of Service – Refers to service categories defined by the ATM Forum which define the traffic parameters for each PVC. These categories, CBR, VBR, and UBR and their related parameters, partially define the traffic between the Telephone Company and the customer for each PVC.
- C. ATM Network Link (ATM-NL) – ATM Network Links are used to physically connect the Telephone Company ATM network with the ATM network of any adjacent Local Exchange Carrier. ATM Network Links are offered in the same port speeds as the ATM Access Lines.
- D. ATM Port - A port on the ATM network that is used to interconnect other Telephone Company provided private line services such as TransLink®, a digital cross connect system port to ATM or an ICB contract transport solution. The ATM Port is the physical entry point for PVCs. Ports include the electronic equipment used in connecting these service elements to the ATM Network and enable customers to allocate bandwidth to applications as needed.
- E. ATM Service Network Serving Area – Area encompassing certain serving area points. Serving area points are those Telephone Company central offices designated for the ATM Network.

ISSUED:  
June 25, 2001

BY: Richard D. Lawson  
State Executive, External Affairs  
319 Madison  
Jefferson City, MO 65101

EFFECTIVE:  
July 25, 2001

**Cancelled**

October 13, 2006  
Missouri Public  
Service Commission

**Filed**

Missouri Public  
Service Commission

ASYNCHRONOUS TRANSFER MODE (ATM) SERVICE

II. DEFINITIONS (Cont'd)

- F. Cell – A unit of transmission in ATM that is a fixed size frame consisting of a 5-byte header and a 48-byte information payload.
- G. Customer Designated Location (CDL) - The geographic location designated by the customer where the customer's CPE is first considered to enter the Telephone Company's network.
- H. Early Packet Discard (EPD)– The procedure for discarding cells related to a frame or packet to minimize the impact of congestion in the ATM network. This discarding technique with Partial Packet Discard (PPD) minimizes the amount of packets that must be retransmitted during congestion. EPD is for UBR traffic only.
- I. Frame Relay Service (FRS) – A fast packet network that provides the customer high-speed access and through-put to different customer addresses. Utilizing statistical multiplexing, the frame relay network enables the customer to allocate bandwidth to applications as needed, rather than dedicating fixed channels to specific applications. Frame Relay is primarily used in applications requiring short, intensive bursts of data at high speeds. Frame Relay operates at access speeds of 56/64 Kbps, 128 Kbps, 256 Kbps, 384 Kbps, 512 Kbps, DS1 (1.544 Mbps), or DS3 (44.736 Mbps).
- J. Gateway Service – Allows the Telephone Company ATM customers to interconnect to another ATM or Frame Relay Network. The service is available wherever the Telephone Company has established a network interface with another private or public ATM or Frame Relay network. Gateway Service is only available where such network connectivity exists or where suitable connectivity arrangements can be made that are acceptable to the Telephone Company.
- K. Individual Case Basis (ICB) - Process by which non-tariffed products and services can be provided to the customer.
- L. Information Rate (IR) – Defines the amount of equivalent bandwidth in the network required to support Quality of Service parameters. IR is administered per PVC, on a VP or VC basis. Any data burst beyond the IR may be labeled Discard Eligible (DE) if the data transfer rate exceeds the PCR of the PVC being used. If the ATM network develops congestion, the Early Packet Discard (EPD) and Partial Packet Discard (PPD) cell buffering techniques will be implemented in Telephone Company ATM switches. At service subscription, the customer must specify the PCR, SCR and MBS associated with each PVC. The retransmission of discarded cells is administered by the customer's CPE.

The Information Rate consists of the three QoS levels (CBR, VBR-nrt or UBR) previously described in Section 20.I.G. These levels of service provide the flexibility necessary to service all applications successfully. The customer is responsible for selecting the level of QoS.

- M. Local Access and Transport Area (LATA) - Denotes a geographic area established for the provision and administration of communications service. It encompasses one or more designated exchanges that are grouped to serve common social, economic, and other purposes.

ISSUED:  
June 25, 2001

BY: Richard D. Lawson  
State Executive, External Affairs  
319 Madison  
Jefferson City, MO 65101

EFFECTIVE:  
July 25, 2001

ASYNCHRONOUS TRANSFER MODE (ATM) SERVICE

II. DEFINITIONS (Cont'd)

- N. Local Area Network (LAN) – A local network permitting the interconnection and intercommunication of a group of computers, primarily for the sharing of resources such as data storage devices and printers.
- O. Logical Channel – A communications channel that allows two-way, simultaneous transmission of sequenced data packets through the network. No circuit capacity is preassigned to a logical channel. Capacity is made available as the data is transmitted. Each PVC is considered one logical channel or one virtual channel.
- P. Maximum Burst Size (MBS) - Denotes the maximum number of consecutive cells that may be transmitted to the Telephone Company ATM network in a single burst at a rate that exceeds the SCR, but does not exceed the PCR, assigned to the VBR connection. MBS is a traffic parameter considered only for VBR traffic. Cells exceeding the MBS will be declared as non-conforming and will be buffered or discarded, depending on the level of congestion.
- Q. Permanent Virtual Circuit (PVC) - Provides software-defined electronic path between two ports within the ATM Network. Each UNI requires the purchase of at least one PVC. A UNI or UNI Port connection can be associated with multiple PVCs. Since all PVCs need not be in use at the same time, it is possible for the total IR of all PVCs associated with one port to exceed the bandwidth of the port. It is not possible, however, for the simultaneous aggregation of the PVCs equivalent bandwidth to exceed the bandwidth of the port. Such a relationship is referred to as oversubscription or overbooking. When oversubscription occurs, there is no guarantee that the bandwidth defined for a VBR-rt or UBR PVC will be available at any point in time. CBR PVC bandwidth is always guaranteed in oversubscription situations.
- R. Protocol - A specific set of rules, procedures or conventions relating to format and timing of data transmission. It is a standard procedure that multiple data devices must accept and use in order to communicate with each other. Protocols break a file into parts called blocks or packets. When blocks or packets are sent, the receiving computer checks the arriving packets and sends an acknowledgment back to the sending computer.
- S. Route Diversity - A separate and diverse physical route from the customer premises to the Telephone Company Serving Central Office. This includes a separate fiber optic pair assignment in two different and distinct fiber optic cables.
- T. Serving Central Office (SCO) - The Telephone Company central office from which the customer normally receives dial tone. The customer's SCO may or may not have an ATM switch. Each SCO without an ATM switch will connect to an SCO with an ATM switch.
- U. Statistical Multiplexing – A multiplexing technique in which timeslots are dynamically allocated on the basis of need rather than being predetermined. The data is typically transmitted on a first come, first served basis.

ISSUED:  
June 25, 2001

BY: Richard D. Lawson  
State Executive, External Affairs  
319 Madison  
Jefferson City, MO 65101

EFFECTIVE:  
July 25, 2001



GENERAL EXCHANGE TARIFF

Embarq Missouri, Inc.  
d/b/a Embarq

First Revised Page 6  
Cancels Original Page 6

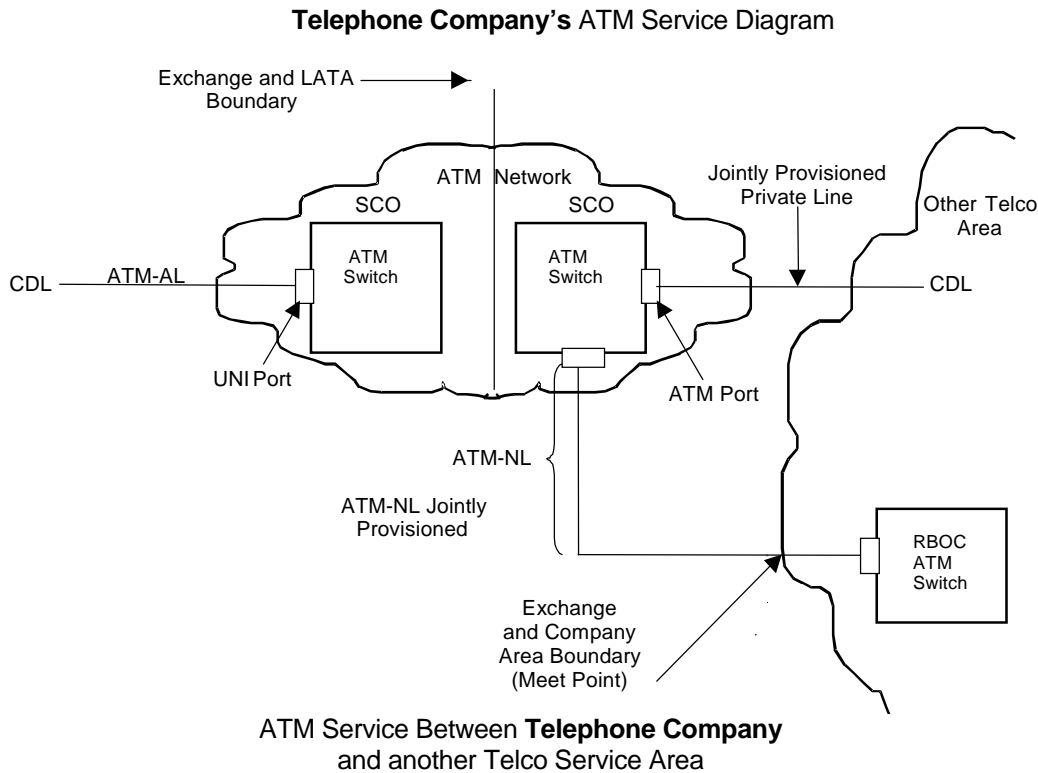
ASYNCHRONOUS TRANSFER MODE (ATM) SERVICE

II. DEFINITIONS (Cont'd)

V. **UNI Port**– A port on the Telephone Company ATM switch that is used to connect to the access line. The UNI port is the physical entry point for access to PVCs. The UNI port is on the line side or customer side of the ATM switch. UNI ports include the Telephone Company ATM switching equipment used in connecting these service elements to the ATM Network and enable customers to allocate bandwidth to applications as needed.

W. **User to Network Interface (UNI)** – A standard interface used to connect the end user to the Telephone Company ATM switch. It receives data cells from the customer’s LAN or other CPE devices and verifies that the data is in a valid ATM format before relaying the ATM cells to the destination point.

The following diagram illustrates some of the above mentioned terms:



Legend

- ATM-AL    ATM Access Line (includes UNI Port)
- ATM-NL    ATM Network Link
- ATM-Port    Facilities not included
- CDL        Customer Designated Location
- SCO        Serving Central Office
- UNI Port    Intracompany Provisioned User to Network Interface

ISSUED:  
September 8, 2006

BY: Darlene N. Terry  
Manager - Tariffs  
5454 W. 110th Street  
Overland Park, KS 66211

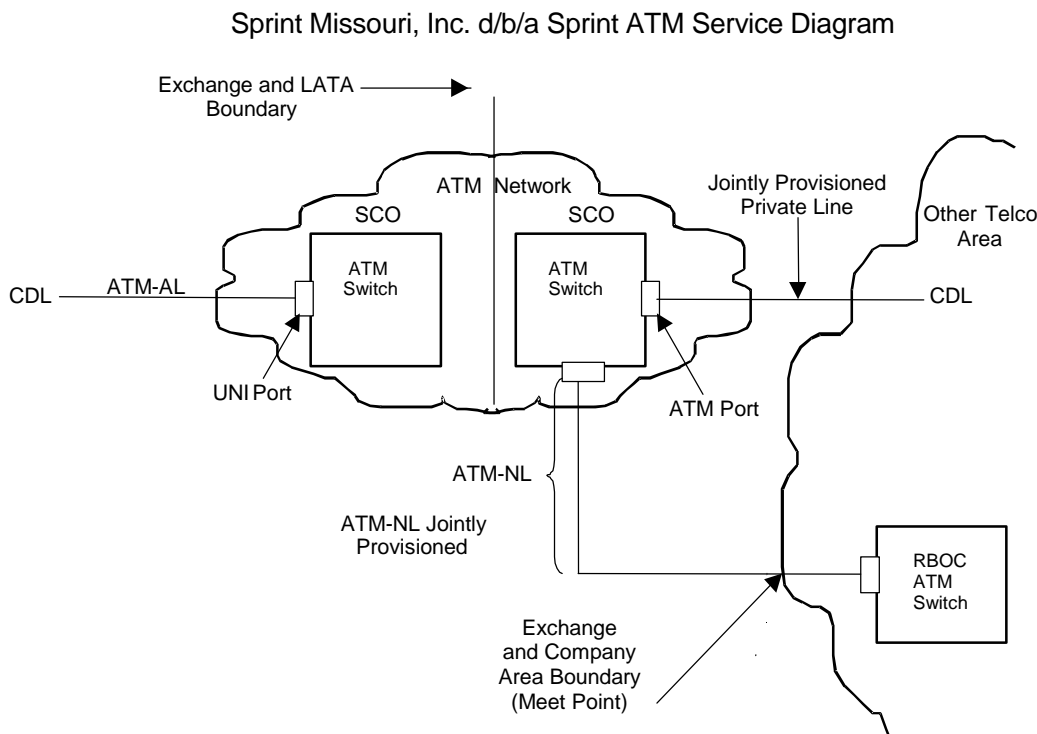
EFFECTIVE:  
~~October 8, 2006~~  
October 13, 2006

ASYNCHRONOUS TRANSFER MODE (ATM) SERVICE

II. DEFINITIONS (Cont'd)

- V. UNI Port— A port on the Telephone Company ATM switch that is used to connect to the access line. The UNI port is the physical entry point for access to PVCs. The UNI port is on the line side or customer side of the ATM switch. UNI ports include the Telephone Company ATM switching equipment used in connecting these service elements to the ATM Network and enable customers to allocate bandwidth to applications as needed.
- W. User to Network Interface (UNI) – A standard interface used to connect the end user to the Telephone Company ATM switch. It receives data cells from the customer’s LAN or other CPE devices and verifies that the data is in a valid ATM format before relaying the ATM cells to the destination point.

The following diagram illustrates some of the above mentioned terms:



ATM Service Between Sprint Missouri, Inc. d/b/a Sprint  
 and another Telco Service Area

Legend

- ATM-AL ATM Access Line (includes UNI Port)
- ATM-NL ATM Network Link
- ATM-Port Facilities not included
- CDL Customer Designated Location
- SCO Serving Central Office
- UNI Port Intracompany Provisioned User to Network Interface

ISSUED:  
 June 25, 2001

BY: Richard D. Lawson  
 State Executive, External Affairs  
 319 Madison  
 Jefferson City, MO 65101

EFFECTIVE:  
 July 25, 2001

**Cancelled**

GENERAL EXCHANGE TARIFF

Embarq Missouri, Inc.  
d/b/a Embarq

First Revised Page 7  
Cancels Original Page 7

ASYNCHRONOUS TRANSFER MODE (ATM) SERVICE

III. GENERAL REGULATIONS

- A. ATM Service is provided to the customer in two forms. The first is ATM Access Line and PVC at a specified IR. The ATM Access Line includes the UNI port. The second is a digital private line transport facility, an ATM access port, otherwise known as a UNI, and a PVC at a specified IR. A PVC must be ordered for transmission between any two locations.
- B. ATM Service is provided subject to the availability of appropriate facilities.
- C. The minimum service period for ATM Service is six months. ATM Service may be ordered for an initial six-month term or through a Term Discount Plan for fixed periods of up to 84 months.
- D. When the customer orders additional PVCs, nonrecurring charges will apply. In addition, Administrative Charges will apply to all changes made to a customer's ATM configuration at the customer's request.
- E. The ATM access services not covered by this tariff will be ordered from the Telephone Company's Private Line Services and Channels Tariff, the **Company's P.S.C. Mo. No. 26** Access Service Tariff, or the **Embarq Local Operating Company's** F.C.C. No. 1 Tariff, or through an Individual Case Basis (ICB) contract. (T)  
(C)
- F. Construction and Installation Charges, as defined in Section 8 of this tariff, may apply when technical limitations and/or the lack of facilities exist, or if it is necessary to construct facilities to satisfy service requests.
- G. Whenever facilities are provided jointly by the Telephone Company and one or more other telephone companies, the regulations, rates and charges of such other telephone companies apply for the equipment and facilities furnished by them for use in connection with the interexchange ATM Service provided by the Telephone Company.
- H. Where private line, Frame Relay Service, or ATM Service is required to interconnect to the Telephone Company's ATM Service for a customer having locations outside of the Telephone Company service area, such service will be furnished only if satisfactory arrangements can be made with the other local or inter-exchange carrier.
- I. Suspension of Service at the customer's request, as defined in Section 34 of this tariff, is not allowed for ATM Service.
- J. The customer is responsible for payment of a Trouble Isolation Charge, as defined in Section 18 of this tariff, for visits by the Telephone Company to the customer premises when a service difficulty resulting in a trouble report is caused by the use of equipment or facilities provided by the customer.

ISSUED:  
September 8, 2006

BY: Darlene N. Terry  
Manager - Tariffs  
5454 W. 110th Street  
Overland Park, KS 66211

EFFECTIVE:  
~~October 8, 2006~~  
October 13, 2006

ASYNCHRONOUS TRANSFER MODE (ATM) SERVICE

III. GENERAL REGULATIONS

- A. ATM Service is provided to the customer in two forms. The first is ATM Access Line and PVC at a specified IR. The ATM Access Line includes the UNI port. The second is a digital private line transport facility, an ATM access port, otherwise known as a UNI, and a PVC at a specified IR. A PVC must be ordered for transmission between any two locations.
- B. ATM Service is provided subject to the availability of appropriate facilities.
- C. The minimum service period for ATM Service is six months. ATM Service may be ordered for an initial six-month term or through a Term Discount Plan for fixed periods of up to 84 months.
- D. When the customer orders additional PVCs, nonrecurring charges will apply. In addition, Administrative Charges will apply to all changes made to a customer's ATM configuration at the customer's request.
- E. The ATM access services not covered by this tariff will be ordered from the Telephone Company's Private Line Services and Channels Tariff, the Sprint Intrastate Access Service Tariff, or the Sprint Local Telephone Company's F.C.C. No. 3 Tariff, or through an Individual Case Basis (ICB) contract.
- F. Construction and Installation Charges, as defined in Section 8 of this tariff, may apply when technical limitations and/or the lack of facilities exist, or if it is necessary to construct facilities to satisfy service requests.
- G. Whenever facilities are provided jointly by the Telephone Company and one or more other telephone companies, the regulations, rates and charges of such other telephone companies apply for the equipment and facilities furnished by them for use in connection with the interexchange ATM Service provided by the Telephone Company.
- H. Where private line, Frame Relay Service, or ATM Service is required to interconnect to the Telephone Company's ATM Service for a customer having locations outside of the Telephone Company service area, such service will be furnished only if satisfactory arrangements can be made with the other local or inter-exchange carrier.
- I. Suspension of Service at the customer's request, as defined in Section 34 of this tariff, is not allowed for ATM Service.
- J. The customer is responsible for payment of a Trouble Isolation Charge, as defined in Section 18 of this tariff, for visits by the Telephone Company to the customer premises when a service difficulty resulting in a trouble report is caused by the use of equipment or facilities provided by the customer.

ISSUED:  
June 25, 2001

BY: Richard D. Lawson  
State Executive, External Affairs  
319 Madison  
Jefferson City, MO 65101

EFFECTIVE:  
July 25, 2001

**Cancelled**

October 13, 2006  
Missouri Public  
Service Commission

**Filed**  
Missouri Public  
Service Commission

ASYNCHRONOUS TRANSFER MODE (ATM) SERVICE

III. GENERAL REGULATIONS (Cont'd)

- K. DS1 and NxDS1 ATM Service is not offered as a survivable service unless an alternate route is constructed. DS1 and NxDS1 diverse route service is not included in the rates and charges specified in Section 20.VIII following and is subject to Construction and Installation Charges, as defined in Section 8 of this tariff, as well as any monthly rates charged under an ICB. DS3 and OC3 ATM Service does not include SONET Ring protection nor diverse route service. These services may be subject to Construction and Installation Charges, as defined in Section 8 of this tariff, as well as any monthly rates charged under an ICB.

IV. OBLIGATIONS OF THE TELEPHONE COMPANY

- A. The responsibility of the Telephone Company is limited to furnishing network equipment suitable for ATM Service and to the maintenance and operation of such equipment in a manner proper for such service. Subject to this responsibility, the Telephone Company is not responsible for the through transmission of signals generated by the CPE or systems, or for the quality of, or defects in, such transmission or the reception of signals by such equipment or systems.
- B. The Telephone Company is not responsible for installation, operation or maintenance of any terminal equipment, data unit or communications system provided by a customer or user unless provided for under separate contract. The Telephone Company is not responsible for adapting ATM Service to the technological requirements of any specific customer equipment.
- C. The Telephone Company is not responsible to the customer or user if changes in any of the equipment, operations or procedures of the Telephone Company used in the provision of ATM Service render any facilities or equipment provided by the customer or user obsolete or require modification or alteration of such equipment or system or otherwise affect its use or performance, provided the Telephone Company has met any applicable information disclosure requirements otherwise required by law.
- D. In order to maintain the quality of ATM Service, the Telephone Company reserves the right to perform preventative maintenance and software updates to the network. The Telephone Company has classified this maintenance as indicated below:

Scheduled Maintenance

Scheduled maintenance is used to perform such functions as hardware and software upgrades and network optimization. The Telephone Company will perform these tasks in a maintenance window that is defined as occurring between midnight and 6 a.m., local time, on Monday. The Telephone Company reserves the same time period for any other day(s) of the week to facilitate maintenance which cannot be completed during the Monday maintenance window. The Telephone Company will provide advance notice of all scheduled maintenance.

ISSUED:  
June 25, 2001

BY: Richard D. Lawson  
State Executive, External Affairs  
319 Madison  
Jefferson City, MO 65101

EFFECTIVE:  
July 25, 2001

ASYNCHRONOUS TRANSFER MODE (ATM) SERVICE

IV. OBLIGATIONS OF THE TELEPHONE COMPANY (Cont'd)

D. In order to maintain the quality of ATM Service... (Cont'd)

Demand Maintenance

Demand maintenance may occur as a result of unexpected events and is performed when ATM Service network elements are in jeopardy. The Telephone Company will perform this type of maintenance at its discretion. Due to the nature of demand maintenance prior notification may not be possible; however, the customer will be informed when the maintenance has been completed.

V. OBLIGATIONS OF THE CUSTOMER

A. The customer's ATM compatible terminal equipment is responsible for retransmitting cells or packets that are discarded due to errors or network congestion.

B. Where ATM Service is available for use in connection with communications systems or equipment provided by a customer or user, the operating characteristics of such systems or equipment shall be such as not to interfere with any services offered by the Telephone Company. Such use is subject to the further provisions that the equipment provided by the customer or user does not endanger the safety of Telephone Company employees or the public; does not damage, harm, require change in or alteration of the equipment or other services of the Telephone Company; does not interfere with the proper operation of the Telephone Company's equipment; or does not otherwise injure the public in its use of Telephone Company services. Upon notice from the Telephone Company that the equipment provided by the customer or user is causing, or is likely to cause, such hazard or interference, the customer shall take the necessary steps to remove or prevent such hazard or interference.

C. The customer, upon request, shall furnish such CPE information as may be required to permit the Telephone Company to design and maintain the ATM Service it offers and to assure that the service arrangement is in compliance with the regulations contained herein.

D. Upon service subscription, the customer should specify the equivalent bandwidth and Class of Service for each PVC ordered. A default of fifty (50) percent of the smallest port size will be assigned as the IR should the information not be provided. No individual PVC IR shall exceed (99) percent of the UNI port access rate. The sum of all PCR's on a single ATM port must not exceed five hundred (500) percent of the port line rate. The sum of all SCR's on a single ATM port must not exceed two hundred (200) percent of the port line rate.

ISSUED:  
June 25, 2001

BY: Richard D. Lawson  
State Executive, External Affairs  
319 Madison  
Jefferson City, MO 65101

EFFECTIVE:  
July 25, 2001

ASYNCHRONOUS TRANSFER MODE (ATM) SERVICE

VI. TERM DISCOUNT PLAN (TDP)

- A. Term Discount Plan (TDP) provides the customer with discounted tariff rates for the ATM Access Line (ATM-AL), ATM Port (Port Only) and the ATM-Network Link (ATM-NL). The customer agrees to a minimum service commitment period for these elements when the TDP is established. Customers may disconnect or move PVCs and not be subject to termination liability charges. The customer must order a TDP in writing to the Telephone Company. A TDP may be ordered in one month increments based on the following plan options;

Plan A: 12 - 23 months  
Plan B: 24 - 35 months  
Plan C: 36 - 59 months  
Plan D: 60 - 84 months

- B. The customer must specify the length of the initial service period at the time the service is ordered. When a customer converts to a TDP, no administrative charges are applied toward facilities in service at that time. If a customer moves from a month-to-month plan to a TDP, or upgrades from one TDP to a longer term TDP, no administrative charges are applied.
- C. If a TDP customer disconnects any portion of the ATM Access Line, ATM Port and/or ATM-Network Link TDP service prior to the end of month 12, the customer is liable for 100% of the payments remaining for the first twelve months and 50% of the payments for the rest of the term plan or 12 months, whichever is shorter. If a customer disconnects any portion of their TDP service after the end of the 12th month, the customer is liable for 50% of the payments remaining under the TDP or 12 months, whichever is shorter. For example, a customer disconnecting in the 10th month of a 55-month plan owes 100% of 2-month payments and 50% of the 55-month plan payments for an additional 12 months. A customer disconnecting in the 25th month of a 36-month plan owes 50% of the term payments for an additional 11 months. If Construction Charges were applied to the service being terminated, any termination charges associated with the Construction Charges will also apply.
- D. Rate changes as approved by the Missouri Public Service Commission will automatically be applied to the monthly term plan rates for the remaining term of the TDP. If a Telephone Company initiated rate increase causes a customer's rates to exceed the original rates in effect at the beginning of the TDP, the customer may cancel the TDP without incurring termination liability charges.

ISSUED:  
June 25, 2001

BY: Richard D. Lawson  
State Executive, External Affairs  
319 Madison  
Jefferson City, MO 65101

EFFECTIVE:  
July 25, 2001

ASYNCHRONOUS TRANSFER MODE (ATM) SERVICE

VI. TERM DISCOUNT PLAN (TDP) (Cont'd)

- E. TDP commitment periods can be extended by the customer at any time during the term of the plan, up to a maximum of 84 months. The number of months accrued in the current plan will be applied toward the new plan selected.
- F. At the end of the TDP service commitment period, the customer may subscribe to a new TDP at the prevailing rates set forth in Section 20.VIII following. If the customer does not select a new TDP, the rates will convert to the prevailing month-to-month rates.
- G. When a service or rate element under a Term Discount Plan (TDP) arrangement is disconnected prior to the expiration of a selected service period as a result of a change in tariff jurisdiction and/or a customer requested change to a Next Generation Service Offering of a separately tariffed service, Termination Charges will not apply when:

The service period of the new Term Discount Plan arrangement for the new service offering is a minimum period equal to or exceeding the remaining service period of the disconnected arrangement, whichever is greater, and

The service orders to install the new service and disconnect the old service are related together, and there is no lapse in service between installation of the new service and disconnection of the existing service, and

The service orders are for the same customer at the same location.

Multiple T1's (TransLink) to DS 3 (LightLink); Integrated Services Digital Network (ISDN) - Primary Rate Interface (PRI) to Frame Relay Service (FRS) and Frame Relay Service (FRS) to Asynchronous Transfer Mode (ATM) are a few examples of a Next Generation Service Offering.

VII. SERVICE COMPONENTS

- A. Administrative Charge – Applies to changes in a customer's network associated with PVCs. Although multiple changes can be caused by such actions, only one administrative charge applies per customer request.

This administrative charge applies in addition to applicable charges associated with Service Connections Charges - Moves and Changes, as specified in Section 30 of this tariff.

ISSUED:  
June 25, 2001

BY: Richard D. Lawson  
State Executive, External Affairs  
319 Madison  
Jefferson City, MO 65101

EFFECTIVE:  
July 25, 2001



ASYNCHRONOUS TRANSFER MODE (ATM) SERVICE

VII. SERVICE COMPONENTS (Cont'd)

- B. ATM Access Line (ATM-AL) - A nonrecurring charge and monthly rate based on the connection line speed of the local loop access line. The access line is from the CDL to the serving central office and includes the UNI port on the ATM switch. Construction Charges may apply, if facilities do not already exist. Route Diversity of the local loop portion of ATM Access Line also may require Construction and Installation Charges.

Where the CDL is located in another telephone company's service area, the ATM Access Line charges provide for transport to the meet-point boundary with the other local telephone company. Charges for service from the meet-point boundary to the CDL will be the responsibility of the customer based on the rates and charges of each jointly provisioning telephone company.

- C. ATM Additional Access Line (ATM-AAL) – A non-recurring charge and a monthly rate based on the connection line speed of the local loop access line. For DS3 service, up to two DS3 ATM AALs can be purchased at the rates and charges specified in Section 20, VIII B. after the initial DS3 ATM Access Line has been purchased. The DS3 ATM AAL must be located on the same fiber optical terminal and the same fiber route. For OC3 service, up to three OC3 ATM AALs can purchased at the rates and charges specified in Section 20.VIII B. after the initial OC3 ATM Access Line has been purchased provided that the Fiber Optic Terminal (FOT) at the CDL is an OC12 FOT. The OC3 ATM AAL must be located on the same fiber optical terminal and the same route. The ATM AAL is only offered where facilities are available.
- D. ATM Network Link (ATM-NL) – A nonrecurring charge and monthly rate based on the DS1 or DS3 port at the Telephone Company's ATM switch and transport from the ATM switch to the interconnecting ATM Service. Where the service is jointly provisioned with another telephone company, the appropriate charges will be based on the distance from the ATM to the meet-point boundary with the other telephone company. Charges for service from the meet-point boundary to the other company's ATM switch will be the responsibility of the customer based on the rates and charges of each jointly provisioning telephone company. In addition to a DS1 or DS3 ATM Network Link, a minimum of one Gateway Service for bandwidth will apply.

ISSUED:  
June 25, 2001

BY: Richard D. Lawson  
State Executive, External Affairs  
319 Madison  
Jefferson City, MO 65101

EFFECTIVE:  
July 25, 2001

GENERAL EXCHANGE TARIFF

Embarq Missouri, Inc.  
d/b/a Embarq

First Revised Page 13  
Cancels Original Page 13

ASYNCHRONOUS TRANSFER MODE (ATM) SERVICE

VII. SERVICE COMPONENTS (Cont'd)

- E. ATM Port - A nonrecurring charge and monthly rate based on the speed of the port connection applies per port connection to the network supporting ATM. The port rate element can be used in lieu of the ATM Access Line element if the customer has an alternative Telephone Company-approved means of access to the ATM Network (such as **TransLink** or through a Telephone Company provided ICB arrangement). (T)
- F. Gateway Service - This service allows the Telephone Company ATM customers to interconnect to another ATM or FRS Network. The service is available wherever the Telephone Company has established a network interface with another private or public ATM or Frame Relay network. The charge for this service covers the facility from the Telephone Company ATM port to the interconnecting ATM or Frame Relay point of another company. The charge includes the software defined PVC to the other company's network to the UNI port, but does not include the UNI port provided by the other company. Gateway Service is purchased in increments of IR. The customer accomplishes this by ordering PVCs and Gateway Service connections to the other company's ATM or Frame Relay Network.
- G. IR and PVC - A monthly rate applies for each PVC based on the IR requested by the customer. If no IR is indicated, the IR will be set at the default of 50% of the associated ATM UNI Port. A nonrecurring charge applies for the establishment of each PVC and for each subsequent order of PVC(s). A separate rate is established for PVCs that are intraLATA and for PVCs that are interLATA.

Customers may select from three different Categories of Service (or QoS) for PVCs to ensure greater reliability for mission-critical applications in the event of network congestion:

- Lowest Priority - Unspecified Bit Rate (UBR)
- Higher Priority - Variable Bit Rate-non-real-time (VBR-nrt)
- Highest Priority - Constant Bit Rate (CBR)

This flexibility helps to ensure maximum performance and satisfaction for individual customer communications applications.

- H. Nonrecurring Charge (NRC) - A one-time charge for initial installation and installation of functions and features.

ISSUED:  
September 8, 2006

BY: Darlene N. Terry  
Manager - Tariffs  
5454 W. 110th Street  
Overland Park, KS 66211

EFFECTIVE:  
~~October 8, 2006~~  
October 13, 2006

ASYNCHRONOUS TRANSFER MODE (ATM) SERVICE

VII. SERVICE COMPONENTS (Cont'd)

- E. ATM Port - A nonrecurring charge and monthly rate based on the speed of the port connection applies per port connection to the network supporting ATM. The port rate element can be used in lieu of the ATM Access Line element if the customer has an alternative Telephone Company-approved means of access to the ATM Network (such as TransLink® or through a Telephone Company provided ICB arrangement).
- F. Gateway Service - This service allows the Telephone Company ATM customers to interconnect to another ATM or FRS Network. The service is available wherever the Telephone Company has established a network interface with another private or public ATM or Frame Relay network. The charge for this service covers the facility from the Telephone Company ATM port to the interconnecting ATM or Frame Relay point of another company. The charge includes the software defined PVC to the other company's network to the UNI port, but does not include the UNI port provided by the other company. Gateway Service is purchased in increments of IR. The customer accomplishes this by ordering PVCs and Gateway Service connections to the other company's ATM or Frame Relay Network.
- G. IR and PVC - A monthly rate applies for each PVC based on the IR requested by the customer. If no IR is indicated, the IR will be set at the default of 50% of the associated ATM UNI Port. A nonrecurring charge applies for the establishment of each PVC and for each subsequent order of PVC(s). A separate rate is established for PVCs that are intraLATA and for PVCs that are interLATA.

Customers may select from three different Categories of Service (or QoS) for PVCs to ensure greater reliability for mission-critical applications in the event of network congestion:

- Lowest Priority - Unspecified Bit Rate (UBR)
- Higher Priority - Variable Bit Rate-non-real-time (VBR-nrt)
- Highest Priority - Constant Bit Rate (CBR)

This flexibility helps to ensure maximum performance and satisfaction for individual customer communications applications.

- H. Nonrecurring Charge (NRC) - A one-time charge for initial installation and installation of functions and features.

ISSUED:  
June 25, 2001

BY: Richard D. Lawson  
State Executive, External Affairs  
319 Madison  
Jefferson City, MO 65101

EFFECTIVE:  
July 25, 2001

**Cancelled**

P.S.C. MO.-No. 22 Section 20  
 GENERAL EXCHANGE TARIFF

Embarq Missouri, Inc.  
 d/b/a Embarq

Second Revised Page 14  
 Cancels First Revised Page 14

ASYNCHRONOUS TRANSFER MODE (ATM) SERVICE

VIII. RATES AND CHARGES

A. ATM Access Line (ATM-AL) (includes Access Line and Port)

	<u>SAE Code</u>	<u>Monthly Rate</u>	<u>Nonrecurring Charge</u>	
1.544 Mbps (DS1 UNI)				
Month to month	PUNIDS1(MTM)	\$ 585.00	\$ 700.00	
12-23 months	PUNIDS1(1YR)	525.00	700.00	
24-35 months	PUNIDS1(2YR)	495.00	700.00	
36-59 months	PUNIDS1(3YR)	<b>445.00</b>	0.00	(R)
60-84 months	PUNIDS1(5YR)	<b>390.00</b>	0.00	(R)
*3 Mbps (2xDS1 UNI)				
Month to month	PUNI2DS(MTM)	935.00	800.00	
12-23 months	PUNI2DS(1YR)	845.00	800.00	
24-35 months	PUNI2DS(2YR)	795.00	800.00	
36-59 months	PUNI2DS(3YR)	745.00	0.00	
60-84 months	PUNI2DS(5YR)	700.00	0.00	
*6 Mbps (4xDS1 UNI)				
Month to month	PUNI4DS(MTM)	1,870.00	900.00	
12-23 months	PUNI4DS(1YR)	1,685.00	900.00	
24-35 months	PUNI4DS(2YR)	1,590.00	900.00	
36-59 months	PUNI4DS(3YR)	1,495.00	0.00	
60-84 months	PUNI4DS(5YR)	1,405.00	0.00	
*9 Mbps (6xDS1 UNI)				
Month to month	PUNI6DS(MTM)	2,690.00	1,000.00	
12-23 months	PUNI6DS(1YR)	2,420.00	1,000.00	
24-35 months	PUNI6DS(2YR)	2,285.00	1,000.00	
36-59 months	PUNI6DS(3YR)	2,150.00	0.00	
60-84 months	PUNI6DS(5YR)	2,015.00	0.00	

\* Where facilities are available

ISSUED:  
 December 1, 2006

BY: Darlene N. Terry  
 Manager - Tariffs  
 5454 W. 110th Street  
 Overland Park, KS 66211

EFFECTIVE:  
 January 15, 2007

GENERAL EXCHANGE TARIFF

SPRINT MISSOURI, INC.  
d/b/a SPRINT

First Revised Page 14  
Cancels Original Page 14

ASYNCHRONOUS TRANSFER MODE (ATM) SERVICE

VIII. RATES AND CHARGES

A. ATM Access Line (ATM-AL) (includes Access Line and Port)

	<u>SAE Code</u>	<u>Monthly Rate</u>	<u>Nonrecurring Charge</u>	
1.544 Mbps (DS1 UNI)				
Month to month	PUNIDS1(MTM)	\$ 585.00	\$ 700.00	
12-23 months	PUNIDS1(1YR)	525.00	700.00	
24-35 months	PUNIDS1(2YR)	495.00	700.00	
36-59 months	PUNIDS1(3YR)	470.00	0.00	
60-84 months	PUNIDS1(5YR)	440.00	0.00	
*3 Mbps (2xDS1 UNI)				
Month to month	PUNI2DS(MTM)	935.00	800.00	
12-23 months	PUNI2DS(1YR)	845.00	800.00	
24-35 months	PUNI2DS(2YR)	795.00	800.00	(CT)
36-59 months	PUNI2DS(3YR)	745.00	0.00	
60-84 months	PUNI2DS(5YR)	700.00	0.00	
*6 Mbps (4xDS1 UNI)				
Month to month	PUNI4DS(MTM)	1,870.00	900.00	
12-23 months	PUNI4DS(1YR)	1,685.00	900.00	
24-35 months	PUNI4DS(2YR)	1,590.00	900.00	
36-59 months	PUNI4DS(3YR)	1,495.00	0.00	
60-84 months	PUNI4DS(5YR)	1,405.00	0.00	
*9 Mbps (6xDS1 UNI)				
Month to month	PUNI6DS(MTM)	2,690.00	1,000.00	
12-23 months	PUNI6DS(1YR)	2,420.00	1,000.00	
24-35 months	PUNI6DS(2YR)	2,285.00	1,000.00	
36-59 months	PUNI6DS(3YR)	2,150.00	0.00	
60-84 months	PUNI6DS(5YR)	2,015.00	0.00	

\* Where facilities are available

ISSUED:  
March 11, 2003

BY: Richard D. Lawson  
State Executive, External Affairs  
319 Madison  
Jefferson City, MO 65101

EFFECTIVE:  
April 10, 2003

**Cancelled**  
January 15, 2007  
Missouri Public  
Service Commission

**Filed**  
Missouri Public  
Service Commission

REC'D JUN 25 2001  
Original Page 14

SPRINT MISSOURI, INC.  
d/b/a SPRINT

Service Commission

ASYNCHRONOUS TRANSFER MODE (ATM) SERVICE

VIII. RATES AND CHARGES

A. ATM Access Line (ATM-AL) (includes Access Line and Port)

	<u>SAE Code</u>	<u>Monthly Rate</u>	<u>Nonrecurring Charge</u>
1.544 Mbps (DS1 UNI)			
Month to month	PUNIDS1(MTM)	\$ 585.00	\$ 700.00
12-23 months	PUNIDS1(1YR)	525.00	700.00
24-35 months	PUNIDS1(2YR)	495.00	700.00
36-59 months	PUNIDS1(3YR)	470.00	0.00
60-84 months	PUNIDS1(5YR)	440.00	0.00
*3 Mbps (2xDS1 UNI)			
Month to month	PUNI2DS(MTM)	935.00	800.00
12-23 months	PUNI2DS(1YR)	845.00	800.00
24-35 months	PUNI2DS(2YR)	795.50	800.00
36-59 months	PUNI2DS(3YR)	745.00	0.00
60-84 months	PUNI2DS(5YR)	700.00	0.00
*6 Mbps (4xDS1 UNI)			
Month to month	PUNI4DS(MTM)	1,870.00	900.00
12-23 months	PUNI4DS(1YR)	1,685.00	900.00
24-35 months	PUNI4DS(2YR)	1,590.00	900.00
36-59 months	PUNI4DS(3YR)	1,495.00	0.00
60-84 months	PUNI4DS(5YR)	1,405.00	0.00
*9 Mbps (6xDS1 UNI)			
Month to month	PUNI6DS(MTM)	2,690.00	1,000.00
12-23 months	PUNI6DS(1YR)	2,420.00	1,000.00
24-35 months	PUNI6DS(2YR)	2,285.00	1,000.00
36-59 months	PUNI6DS(3YR)	2,150.00	0.00
60-84 months	PUNI6DS(5YR)	2,015.00	0.00

\* Where facilities are available

**CANCELLED**  
APR 10 2003  
by KRS 14  
Public Service Commission  
MISSOURI

ISSUED:  
June 25, 2001

BY: Richard D. Lawson  
State Executive, External Affairs  
319 Madison  
Jefferson City, MO 65101

EFFECTIVE:  
July 25, 2001  
Missouri Public

FILED JUL 25 2001

Service Commission

ASYNCHRONOUS TRANSFER MODE (ATM) SERVICE

VIII. RATES AND CHARGES (Cont'd)

A. ATM Access Line (ATM-AL) (includes Access Line and Port) (Cont'd)

	<u>SAE Code</u>	<u>Monthly Rate</u>	<u>Nonrecurring Charge</u>
*45 Mbps (DS3 UNI) Telephone Company Provided Fiber Optic Terminal			
Month to month			
0-3 miles	PUN3D03(MTM)	\$ 3,685.00	\$ 2,800.00
Over 3 miles	PUN3DG3(MTM)	4,790.00	2,800.00
12-23 months			
0-3 miles	PUN3D03(1YR)	3,315.00	2,800.00
Over 3 miles	PUN3DG3(1YR)	4,315.00	2,800.00
24-35 months			
0-3 miles	PUN3D03(2YR)	3,130.00	2,800.00
Over 3 miles	PUN3DG3(2YR)	4,070.00	2,800.00
36-59 months			
0-3 miles	PUN3D03(3YR)	2,950.00	0.00
Over 3 miles	PUN3DG3(3YR)	3,830.00	0.00
60-84 months			
0-3 miles	PUN3D03(5YR)	2,785.00	0.00
Over 3 miles	PUN3DG3(5YR)	3,595.00	0.00

\* Where facilities are available

ISSUED:  
 June 25, 2001

BY: Richard D. Lawson  
 State Executive, External Affairs  
 319 Madison  
 Jefferson City, MO 65101

EFFECTIVE:  
 July 25, 2001

ASYNCHRONOUS TRANSFER MODE (ATM) SERVICE

VIII. RATES AND CHARGES (Cont'd)

A. ATM Access Line (ATM-AL) (includes Access Line and Port) (Cont'd)

	<u>SAE Code</u>	<u>Monthly Rate</u>	<u>Nonrecurring Charge</u>
*155 Mbps (OC3 UNI) Customer Provided Fiber Optic Terminal			
Month to month			
0-3 miles	PUNOC03(MTM)	\$ 4,425.00	\$ 3,200.00
Over 3 miles	PUNOCG3(MTM)	5,750.00	3,200.00
12-23 months			
0-3 miles	PUNOC03(1YR)	3,980.00	3,200.00
Over 3 miles	PUNOCG3(1YR)	5,175.00	3,200.00
24-35 months			
0-3 miles	PUNOC03(2YR)	3,540.00	3,200.00
Over 3 miles	PUNOCG3(2YR)	4,595.00	3,200.00
36-59 months			
0-3 miles	PUNOC03(3YR)	3,320.00	0.00
Over 3 miles	PUNOCG3(3YR)	4,315.00	0.00
60-84 months			
0-3 miles	PUNOC03(5YR)	3,095.00	0.00
Over 3 miles	PUNOCG3(5YR)	4,025.00	0.00
*155 Mbps (OC3 UNI) Telephone Company Provided Fiber Optic Terminal			
Month to month			
0-3 miles	PUNOCS0(MTM)	5,085.00	3,400.00
Over 3 miles	PUNOCS3(MTM)	6,615.00	3,400.00
12-23 months			
0-3 miles	PUNOCS0(1YR)	4,575.00	3,400.00
Over 3 miles	PUNOCS3(1YR)	5,950.00	3,400.00
24-35 months			
0-3 miles	PUNOCS0(2YR)	4,070.00	3,400.00
Over 3 miles	PUNOCS3(2YR)	5,290.00	3,400.00
36-59 months			
0-3 miles	PUNOCS0(3YR)	3,815.00	0.00
Over 3 miles	PUNOCS3(3YR)	4,960.00	0.00
60-84 months			
0-3 miles	PUNOCS0(5YR)	3,665.00	0.00
Over 3 miles	PUNOCS3(5YR)	4,630.00	0.00

\* Where facilities are available. OC3 service is available at tariff rates only from serving central offices that have an ATM switch. OC3 service is available at Individual Case Basis (ICB) rates from serving central offices that do not have an ATM switch.

ISSUED:  
 June 25, 2001

BY: Richard D. Lawson  
 State Executive, External Affairs  
 319 Madison  
 Jefferson City, MO 65101

EFFECTIVE:  
 July 25, 2001



ASYNCHRONOUS TRANSFER MODE (ATM) SERVICE

VIII. RATES AND CHARGES (Cont'd)

B. ATM Additional Access Line (ATM-AAL) on the same Fiber Optic Terminal and the same route.

	<u>SAE Code</u>	<u>Monthly Rate</u>	<u>Nonrecurring Charge</u>
<b>*45 Mbps (DS3 UNI)</b>			
Month to month	PUNIXDS(MTM)	\$ 3,135.00	\$ 1,500.00
12-23 months	PUNIXDS(1YR)	2,820.00	1,500.00
24-35 months	PUNIXDS(2YR)	2,505.00	1,500.00
36-59 months	PUNIXDS(3YR)	2,350.00	0.00
60-84 months	PUNIXDS(5YR)	2,195.00	0.00
<b>**155 Mbps (OC3 UNI) Customer Provided Fiber Optic Terminal</b>			
Month to month	PUNIXOC(MTM)	4,975.00	2,500.00
12-23 months	PUNIXOC(1YR)	4,480.00	2,500.00
24-35 months	PUNIXOC(2YR)	3,980.00	2,500.00
36-59 months	PUNIXOC(3YR)	3,735.00	0.00
60-84 months	PUNIXOC(5YR)	3,485.00	0.00
<b>**155 Mbps (OC3 UNI) Telephone Company Provided Fiber Optic Terminal</b>			
Month to month	PUNIAOC(MTM)	6,670.00	3,500.00
12-23 months	PUNIAOC(1YR)	6,010.00	3,500.00
24-35 months	PUNIAOC(2YR)	5,335.00	3,500.00
36-59 months	PUNIAOC(3YR)	4,995.00	0.00
60-84 months	PUNIAOC(5YR)	4,670.00	0.00

\* Where facilities are available.

\*\* Where facilities are available. OC3 service is available at tariff rates only from serving central offices that have an ATM switch. OC3 service is available at Individual Case Basis (ICB) rates from serving central offices that do not have an ATM switch.

ISSUED:  
 June 25, 2001

BY: Richard D. Lawson  
 State Executive, External Affairs  
 319 Madison  
 Jefferson City, MO 65101

EFFECTIVE:  
 July 25, 2001

GENERAL EXCHANGE TARIFF

**Embarq Missouri, Inc.**  
**d/b/a Embarq**

First Revised Page 18 (C)  
 Cancels Original Page 18 (C)

ASYNCHRONOUS TRANSFER MODE (ATM) SERVICE

VIII. RATES AND CHARGES (Cont'd)

C. ATM Port (Port Only)

	<u>SAE Code</u>	<u>Monthly Rate</u>	<u>Nonrecurring Charge</u>	
1.544 Mbps (DS1 UNI)				
Month to month	PUNPDS1(MTM)	<b>\$ 460.00</b>	\$ 400.00	(1)
12-23 months	PUNPDS1(1YR)	415.00	400.00	
24-35 months	PUNPDS1(2YR)	395.00	400.00	
36-59 months	PUNPDS1(3YR)	370.00	0.00	
60-84 months	PUNPDS1(5YR)	350.00	0.00	
*3 Mbps (2xDS1 UNI)				
Month to month	PUNP2DS(MTM)	700.00	500.00	
12-23 months	PUNP2DS(1YR)	665.00	500.00	
24-35 months	PUNP2DS(2YR)	630.00	500.00	
36-59 months	PUNP2DS(3YR)	595.00	0.00	
60-84 months	PUNP2DS(5YR)	560.0	0.00	
*6 Mbps (4xDS1 UNI)				
Month to month	PUNP4DS(MTM)	1,405.00	600.00	
12-23 months	PUNP4DS(1YR)	1,335.00	600.00	
24-35 months	PUNP4DS(2YR)	1,265.00	600.00	
36-59 months	PUNP4DS(3YR)	1,195.00	0.00	
60-84 months	PUNP4DS(5YR)	1,125.00	0.00	
*9 Mbps (6xDS1 UNI)				
Month to month	PUNP6DS(MTM)	2,015.00	700.00	
12-23 months	PUNP6DS(1YR)	1,915.00	700.00	
24-35 months	PUNP6DS(2YR)	1,815.00	700.00	
36-59 months	PUNP6DS(3YR)	1,715.00	0.00	
60-84 months	PUNP6DS(5YR)	1,615.00	0.00	
45 Mbps (DS3 UNI)				
Month to month	PUN3DCO(MTM)	<b>1,950.00</b>	1,500.00	(1)
12-23 months	PUN3DCO(1YR)	1,750.00	1,500.00	
24-35 months	PUN3DCO(2YR)	1,660.00	1,500.00	
36-59 months	PUN3DCO(3YR)	1,565.00	0.00	
60-84 months	PUN3DCO(5YR)	1,475.00	0.00	
155 Mbps (OC3 UNI)				
Month to month	PUNOCCO(MTM)	<b>2,525.00</b>	2,000.00	(1)
12-23 months	PUNOCCO(1YR)	2,275.00	2,000.00	
24-35 months	PUNOCCO(2YR)	2,155.00	2,000.00	
36-59 months	PUNOCCO(3YR)	1,915.00	0.00	
60-84 months	PUNOCCO(5YR)	1,795.00	0.00	

\* Where facilities are available.

ISSUED:  
 January 20, 2009

BY: Darlene N. Terry  
 Manager - Tariffs  
 5454 W. 110th Street  
 Overland Park, Kansas 66211

EFFECTIVE:  
 February 1, 2009

CANCELLED  
 October 19, 2009  
 Missouri Public  
 Service Commission  
 TN-2010-0086; JI-2010-0155

FILED  
 Missouri Public  
 Service Commission  
 JI-2009-0528

ASYNCHRONOUS TRANSFER MODE (ATM) SERVICE

VIII. RATES AND CHARGES (Cont'd)

C. ATM Port (Port Only)

	<u>SAE Code</u>	<u>Monthly Rate</u>	<u>Nonrecurring Charge</u>
<b>1.544 Mbps (DS1 UNI)</b>			
Month to month	PUNPDS1(MTM)	\$ 435.00	\$ 400.00
12-23 months	PUNPDS1(1YR)	415.00	400.00
24-35 months	PUNPDS1(2YR)	395.00	400.00
36-59 months	PUNPDS1(3YR)	370.00	0.00
60-84 months	PUNPDS1(5YR)	350.00	0.00
<b>*3 Mbps (2xDS1 UNI)</b>			
Month to month	PUNP2DS(MTM)	700.00	500.00
12-23 months	PUNP2DS(1YR)	665.00	500.00
24-35 months	PUNP2DS(2YR)	630.00	500.00
36-59 months	PUNP2DS(3YR)	595.00	0.00
60-84 months	PUNP2DS(5YR)	560.0	0.00
<b>*6 Mbps (4xDS1 UNI)</b>			
Month to month	PUNP4DS(MTM)	1,405.00	600.00
12-23 months	PUNP4DS(1YR)	1,335.00	600.00
24-35 months	PUNP4DS(2YR)	1,265.00	600.00
36-59 months	PUNP4DS(3YR)	1,195.00	0.00
60-84 months	PUNP4DS(5YR)	1,125.00	0.00
<b>*9 Mbps (6xDS1 UNI)</b>			
Month to month	PUNP6DS(MTM)	2,015.00	700.00
12-23 months	PUNP6DS(1YR)	1,915.00	700.00
24-35 months	PUNP6DS(2YR)	1,815.00	700.00
36-59 months	PUNP6DS(3YR)	1,715.00	0.00
60-84 months	PUNP6DS(5YR)	1,615.00	0.00
<b>45 Mbps (DS3 UNI)</b>			
Month to month	PUN3DCO(MTM)	1,840.00	1,500.00
12-23 months	PUN3DCO(1YR)	1,750.00	1,500.00
24-35 months	PUN3DCO(2YR)	1,660.00	1,500.00
36-59 months	PUN3DCO(3YR)	1,565.00	0.00
60-84 months	PUN3DCO(5YR)	1,475.00	0.00
<b>155 Mbps (OC3 UNI)</b>			
Month to month	PUNOCCO(MTM)	2,395.00	2,000.00
12-23 months	PUNOCCO(1YR)	2,275.00	2,000.00
24-35 months	PUNOCCO(2YR)	2,155.00	2,000.00
36-59 months	PUNOCCO(3YR)	1,915.00	0.00
60-84 months	PUNOCCO(5YR)	1,795.00	0.00

\* Where facilities are available.

ISSUED:  
 June 25, 2001

BY: Richard D. Lawson  
 State Executive, External Affairs  
 319 Madison  
 Jefferson City, MO 65101

EFFECTIVE:  
 July 25, 2001

CANCELLED  
 February 1, 2009  
 Missouri Public  
 Service Commission  
 JI-2009-0528

**FILED**  
**MO PSC**

REC'D OCT 25 2002

GENERAL EXCHANGE TARIFF

Service Commission

First Revised Page 19

Cancels Original Page 19

SPRINT MISSOURI, INC.  
d/b/a SPRINT

ASYNCHRONOUS TRANSFER MODE (ATM) SERVICE

VIII. RATES AND CHARGES (Cont'd)

D. Permanent Virtual Circuit (PVC) – IntraLATA

	<u>SAE Code</u>	<u>Monthly Rate (Per Increment)</u>	<u>Nonrecurring Charge (Per PVC)</u>
Over 0 thru 2.944 Mbps (Per increments of 64 Kbps)			
CBR	PUNPVCK(RBC)	\$ 18.00	\$ 50.00
VBR-nrt	PUNPVCK(VBR)	10.00	50.00
Over 2.944 Mbps (Per increments of 1 Mbps)			
CBR	PUNPVCM(RBC)	65.00	50.00
VBR-nrt	PUNPVCM(VBR)	35.00	50.00
UBR			
	<u>SAE Code</u>	<u>Monthly Rate Per (Connection)</u>	<u>Nonrecurring Charge Per (Connection)</u>
Per DS1 Connection	PUNPVCM(DS1)	45.00	50.00
Per NxDS1 Conn.	PUNPVCM(IMA)	65.00	50.00
Per DS3 Connection	PUNPVCM(DS3)	325.00	50.00
Per OC3 Connection	PUNPVCM(OC3)	850.00 (1)	50.00

NOTE: UBR PVCs must be ordered at the same transmission speed as the port with which it is associated.

E. Permanent Virtual Circuit (PVC) – InterLATA

	<u>SAE Code</u>	<u>Monthly Rate (Per Increment)</u>	<u>Nonrecurring Charge (Per PVC)</u>
Over 0 thru 2.944 Mbps (Per increments of 64 Kbps)			
CBR	PUNPVIK(RBC)	20.00	50.00
VBR-nrt	PUNPVIK(VBR)	12.00	50.00
Over 2.944 Mbps (Per increments of 1 Mbps)			
CBR	PUNPVIM(RBC)	75.00	50.00
VBR-nrt	PUNPVIM(VBR)	45.00	50.00
UBR			
	<u>SAE Code</u>	<u>Monthly Rate Per (Connection)</u>	<u>Nonrecurring Charge Per (Connection)</u>
Per DS1 Connection	PUNPVIM(DS1)	55.00	50.00
Per NxDS1 Conn.	PUNPVIM(IMA)	75.00	50.00
Per DS3 Connection	PUNPVIM(DS3)	345.00	50.00
Per OC3 Connection	PUNPVIM(OC3)	890.00 (1)	50.00

NOTE: UBR PVCs must be ordered at the same transmission speed as the port with which it is associated.

ISSUED:  
October 25, 2002

BY: Richard D. Lawson  
State Executive, External Affairs  
319 Madison  
Jefferson City, MO 65101

Missouri Public  
Service Commission  
IT-03-0166  
FILED DEC 18 2002

EFFECTIVE:

DEC 18 2002

GENERAL EXCHANGE TARIFF

REC'D JUN 25 2001  
Original Page 19

SPRINT MISSOURI, INC.  
d/b/a SPRINT

Service Commission

ASYNCHRONOUS TRANSFER MODE (ATM) SERVICE

VIII. RATES AND CHARGES (Cont'd)

D. Permanent Virtual Circuit (PVC) – IntraLATA

	<u>SAE Code</u>	<u>Monthly Rate (Per Increment)</u>	<u>Nonrecurring Charge (Per PVC)</u>
Over 0 thru 2.944 Mbps (Per increments of 64 Kbps)			
CBR	PUNPVCK(RBC)	\$ 18.00	\$ 50.00
VBR-nrt	PUNPVCK(VBR)	10.00	50.00
Over 2.944 Mbps (Per increments of 1 Mbps)			
CBR	PUNPVCM(RBC)	65.00	50.00
VBR-nrt	PUNPVCM(VBR)	35.00	50.00
UBR			
	<u>SAE Code</u>	<u>Monthly Rate Per (Connection)</u>	<u>Nonrecurring Charge Per (Connection)</u>
Per DS1 Connection	PUNPVCM(DS1)	45.00	50.00
Per NxDS1 Conn.	PUNPVCM(IMA)	65.00	50.00
Per DS3 Connection	PUNPVCM(DS3)	325.00	50.00
Per OC3 Connection	PUNPVCM(OC3)	795.00	50.00

NOTE: UBR PVCs must be ordered at the same transmission speed as the port with which it is associated.

E. Permanent Virtual Circuit (PVC) – InterLATA

	<u>SAE Code</u>	<u>Monthly Rate (Per Increment)</u>	<u>Nonrecurring Charge (Per PVC)</u>
Over 0 thru 2.944 Mbps (Per increments of 64 Kbps)			
CBR	PUNPVIK(RBC)	20.00	50.00
VBR-nrt	PUNPVIK(VBR)	12.00	50.00
Over 2.944 Mbps (Per increments of 1 Mbps)			
CBR	PUNPVIM(RBC)	75.00	50.00
VBR-nrt	PUNPVIM(VBR)	45.00	50.00
UBR			
	<u>SAE Code</u>	<u>Monthly Rate Per (Connection)</u>	<u>Nonrecurring Charge Per (Connection)</u>
Per DS1 Connection	PUNPVIM(DS1)	55.00	50.00
Per NxDS1 Conn.	PUNPVIM(IMA)	75.00	50.00
Per DS3 Connection	PUNPVIM(DS3)	345.00	50.00
Per OC3 Connection	PUNPVIM(OC3)	825.00	50.00

NOTE: UBR PVCs must be ordered at the same transmission speed as the port with which it is associated.

ISSUED:  
June 25, 2001

BY: Richard D. Lawson  
State Executive, External Affairs  
319 Madison  
Jefferson City, MO 65101

EFFECTIVE:  
July 25, 2001

Missouri Public

FILED JUL 25 2001

Service Commission

CANCELLED

DEC 18 2002

By STRS/9  
Public Service Commission

ASYNCHRONOUS TRANSFER MODE (ATM) SERVICE

VIII. RATES AND CHARGES (Cont'd)

F. ATM Network Link (ATM-NL)

	<u>SAE Code</u>	<u>Monthly Rate</u>	<u>Nonrecurring Charge</u>
<b>*1.544 Mbps ATM-NL</b>			
Month to month	PUNPNL1(MTM)	\$ 450.00	\$ 375.00
12-23 months	PUNPNL1(1YR)	405.00	375.00
24-35 months	PUNPNL1(2YR)	380.00	375.00
36-59 months	PUNPNL1(3YR)	360.00	375.00
60-84 months	PUNPNL1(5YR)	335.00	375.00
<b>*45 Mbps ATM-NL Within CO</b>			
Month to month	PUNPNLC(MTM)	1,200.00	375.00
12-23 months	PUNPNLC(1YR)	1,080.00	375.00
24-35 months	PUNPNLC(2YR)	1,020.00	375.00
36-59 months	PUNPNLC(3YR)	960.00	375.00
60-84 months	PUNPNLC(5YR)	900.00	375.00
<b>*45 Mbps ATM-NL 0-3 miles</b>			
Month to month	PUNPNL3(MTM)	1,300.00	375.00
12-23 months	PUNPNL3(1YR)	1,170.00	375.00
24-35 months	PUNPNL3(2YR)	1,105.00	375.00
36-59 months	PUNPNL3(3YR)	1,040.00	375.00
60-84 months	PUNPNL3(5YR)	975.00	375.00
<b>*45 Mbps ATM-NL Over 3 miles</b>			
Month to month	PUNPNLG(MTM)	1,500.00	375.00
12-23 months	PUNPNLG(1YR)	1,350.00	375.00
24-35 months	PUNPNLG(2YR)	1,275.00	375.00
36-59 months	PUNPNLG(3YR)	1,200.00	375.00
60-84 months	PUNPNLG(5YR)	1,125.00	375.00

G. An administrative charge will be applied, in addition to the applicable charges associated with Service Connection and Service Charges, as specified in Section 17 of this tariff, when a change is made to a customer's ATM configuration (including changes to an existing group's addressing or changes in bandwidth), at the customer's request. Such changes are defined as those rearrangements necessary to add, delete or rearrange the customer's configuration and changes of the PCR, SCR on a PVC. The administrative charge applies to changes in a customer's network associated with PVCs. Only one administrative charge applies per customer request.

Administrative Charge (Nonrecurring) \$ .75.00

\* Where facilities are available.

ISSUED:  
 June 25, 2001

BY: Richard D. Lawson  
 State Executive, External Affairs  
 319 Madison  
 Jefferson City, MO 65101

EFFECTIVE:  
 July 25, 2001

REC'D OCT 25 2002

## GENERAL EXCHANGE TARIFF

SPRINT MISSOURI, INC.  
d/b/a SPRINTService Commission  
First Revised Page 21  
Cancels Original Page 21

## ASYNCHRONOUS TRANSFER MODE (ATM) SERVICE

VIII. RATES AND CHARGES (Cont'd)

## H. Gateway Service, Permanent Virtual Circuit (PVC) - IntraLATA

	<u>SAE Code</u>	<u>Monthly Rate (Per Increment)</u>	<u>Nonrecurring Charge (Per PVC)</u>
Over 0 thru 2.944 Mbps (Per increments of 64 Kbps)			
CBR	PUNIGWK(RBC)	\$ 20.00	\$ 100.00
VBR-nrt	PUNIGWK(VBR)	12.00	100.00
Over 2.944 Mbps (Per increments of 1 Mbps)			
CBR	PUNIGWM(RBC)	75.00	100.00
VBR-nrt	PUNIGWM(VBR)	45.00	100.00
	<u>SAE Code</u>	<u>Monthly Rate Per (Connection)</u>	<u>Nonrecurring Charge Per (Connection)</u>
UBR			
Per DS1 Connection	PUNIGWM(DS1)	55.00	50.00
Per NxDS1 Conn.	PUNIGWM(IMA)	75.00	50.00
Per DS3 Connection	PUNIGWM(DS3)	345.00	50.00
Per OC3 Connection	PUNIGWM(OC3)	995.00 (1)	50.00

Missouri Public  
Service Commission  
IT-03-0146  
FILED DEC 18 2002ISSUED:  
October 25, 2002BY: Richard D. Lawson  
State Executive, External Affairs  
319 Madison  
Jefferson City, MO 65101EFFECTIVE:  
~~October 25, 2002~~

DEC 18 2002

GENERAL EXCHANGE TARIFF

REC'D JUN 25 2001  
Original Page 21

SPRINT MISSOURI, INC.  
d/b/a SPRINT

Service Commission

ASYNCHRONOUS TRANSFER MODE (ATM) SERVICE

VIII. RATES AND CHARGES (Cont'd)

H. Gateway Service, Permanent Virtual Circuit (PVC) - IntraLATA

	<u>SAE Code</u>	<u>Monthly Rate (Per Increment)</u>	<u>Nonrecurring Charge (Per PVC)</u>
Over 0 thru 2.944 Mbps (Per increments of 64 Kbps)			
CBR	PUNIGWK(RBC)	\$ 20.00	\$ 100.00
VBR-nrt	PUNIGWK(VBR)	12.00	100.00
Over 2.944 Mbps (Per increments of 1 Mbps)			
CBR	PUNIGWM(RBC)	75.00	100.00
VBR-nrt	PUNIGWM(VBR)	45.00	100.00
	<u>SAE Code</u>	<u>Monthly Rate Per (Connection)</u>	<u>Nonrecurring Charge Per (Connection)</u>
UBR			
Per DS1 Connection	PUNIGWM(DS1)	55.00	50.00
Per NxDS1 Conn.	PUNIGWM(IMA)	75.00	50.00
Per DS3 Connection	PUNIGWM(DS3)	345.00	50.00
Per OC3 Connection	PUNIGWM(OC3)	930.00	50.00

**CANCELLED**

DEC 18 2002  
By JST RSD  
Public Service Commission  
MISSOURI

ISSUED:  
June 25, 2001

BY: Richard D. Lawson  
State Executive, External Affairs  
319 Madison  
Jefferson City, MO 65101

EFFECTIVE:  
July 25, 2001  
Missouri Public

FILED JUL 25 2001

Service Commission



FRAME RELAY SERVICE

I. DESCRIPTION

- A. Frame Relay Service (FRS) is a fast packet network that permits the transmission of data at speeds of 56/64 Kbps, 128 Kbps, 256 Kbps, 384 Kbps, 512 Kbps, DS1, or DS3 using Permanent Virtual Circuits (PVCs). Utilizing statistical multiplexing, the FRS Network enables the customer to allocate circuit bandwidth to applications as needed, rather than assigning fixed channels to specific applications.
- B. Permanent Virtual Circuits (PVCs) are logical channels that connect ports on a frame relay switch or between frame relay switches. PVCs are end-to-end, bi-directional channels that are established and disestablished via the service order process. Separate PVCs must be established to each location that the customer desires to transmit data. These PVC channels are virtual because they are established in software tables and do not tie up facilities when not in-use. Multiple PVCs can be defined over a single Frame Relay Access Line (FRAL), thereby providing a single access line the capability to transmit data to multiple destinations.
- C. FRS requires the use of customer terminal equipment that functions as a multiplexer, bridger or router. This terminal equipment must be purchased separately from the FRS and must conform to Consultative Committee for International Telecommunication Union (ITU) and American National Standards Institute (ANSI) standards set forth in ITU: Q.933 Annex A, ANSI: T1.617 Annex D. The terminal equipment accumulates customer data and puts it into a frame relay format suitable for transmission over the FRS Network.
- D. In the operation of FRS, customer premises equipment (CPE), such as frame relay assembler and disassemblers, encapsulate arriving data into variable length frames. These frames contain information, data link connection identifier (DLCI) addresses, identifying which PVC in the network should be used to forward the frame to the proper destination. The CPE then sends the frame into the FRS Network over a dedicated access facility called a User Network Interface (UNI). The frame relay switch reads identifying information and routes the frame to the proper destination based on a pre-established PVC.
- E. Variable frame length capability is useful in communications between asynchronous Local Area Networks (LAN) and for transport of synchronous data traffic. FRS is capable of handling the requirements of bursty data sources because of the ability of the service to allocate additional bandwidth when not in use by other sources.

ISSUED:  
May 15, 1998

BY: Richard D. Lawson  
State Executive, External Affairs  
319 Madison  
Jefferson City, MO 65101

EFFECTIVE:  
June 16, 1998

P.S.C. MO.-No. 22 Section 21

UNITED TELEPHONE COMPANY  
OF MISSOURI

GENERAL EXCHANGE TARIFF

(Reserved For Future Filings)

Original Page 1  
**RECEIVED**

SEP 17 1992

MISSOURI  
PUBLIC SERVICE COMMISSION

**CANCELLED**

JUN 16 1998

By KSRS#1  
Public Service Commission  
MISSOURI

**FILED**

NOV 7 1992

MO. PUBLIC SERVICE COMM.

ISSUED:  
September 17, 1992

BY: John L. Roe  
Vice President - Administration  
5454 West 110th Street  
Overland Park, Kansas 66211

EFFECTIVE:  
~~October 17, 1992~~  
NOV 7 1992

GENERAL EXCHANGE TARIFF

SPRINT MISSOURI, INC.  
d/b/a SPRINT

Original Page 2

FRAME RELAY SERVICE

I. DESCRIPTION (Cont'd)

F. FRS is provided to the customer in the form of a Frame Relay Access Line (FRAL), Frame Relay User Network Interface Port and the PVC.

G. The actual throughput of aggregated PVC bandwidths in use at the same time on the same port cannot exceed the port speed.

H. Since multiple PVCs may be defined on one physical port, it is possible for the cumulative CIRs to exceed the physical bandwidth of that port. This is referred to as oversubscription and when this occurs, there can be no guarantee that the CIR defined for that port and PVC will be available at any point in time.

I. The Committed Information Rate (CIR) and the Excess Burst Size (B<sub>e</sub>) are traffic management parameters that allow the customer to fine tune implementation of Frame Relay Service.

J. Clear Channel Capability will be provided upon request and where deemed applicable by the Company. Special construction charges may apply.

K. FRS conforms to the International Telecommunications Union (ITU), formerly the Consultative Committee for International Telegraph and Telephone (CCITT), and American National Standards Institute (ANSI) standards set forth in technical publications.

II. DEFINITIONS

A. Committed Information Rate (CIR) - CIR defines the amount of data throughput on any designated PVC that the Telephone Company will support under normal operating conditions. CIR is administered per PVC. Any data burst beyond the CIR may be labeled Discard Eligible (DE) if the data transfer rate exceeds the CIR of the PVC being used. If the frame relay network develops congestion, the frames marked DE may be discarded. At service subscription, the customer must specify the CIR associated with each PVC. The retransmission of discarded frames is administered by the customer's CPE.

B. Customer Designated Location (CDL) - The geographic location designated by the customer where the customer's CPE is first considered to enter the Telephone Company's network.

ISSUED:  
May 15, 1998

BY: Richard D. Lawson  
State Executive, External Affairs  
319 Madison  
Jefferson City, MO 65101

EFFECTIVE:  
June 16, 1998

GENERAL EXCHANGE TARIFF

Embarq Missouri, Inc.  
d/b/a Embarq

First Revised Page 3  
Cancels Original Page 3

FRAME RELAY SERVICE

II. DEFINITIONS (Cont'd)

- C. Data Link Connection Identifier (DLCI) – The address information contained in the frame relay header which conveys to the network how an individual frame should be routed. The DLCI essentially defines to which customer end point a particular frame should be sent.
- D. Excess Burst Size (B<sub>e</sub>) - Denotes the data rate above Committed Information Rate (CIR) at which customer data will be admitted to the Frame Relay network. All Excess Burst data admitted to the network will be designated discard eligible.
- E. Frame - A sequence of contiguous bits delimited by beginning and ending flag sequences.
- F. Frame Relay Access Line (FRAL) – A FRAL is a UNI that provides access to the FRS Network. A FRAL can be purchased only if the customer has service (local dial tone) from the Telephone Company Serving Wire Center (SWC). A FRAL includes the provision of a frame relay access port.
- G. Frame Relay Port (FRAP) – FRAP is a port on the FRS network that is used to interconnect other Telephone Company provided private line services such as **DigiLink**, **TransLink** or a digital cross connect system port to the FRS. The FRAP is the physical entry point for PVCs. Ports include the electronic equipment used in connecting these service elements to the Frame Relay Network and enable customers to allocate bandwidth to applications as needed. (T)
- H. Frame Relay Service (FRS) – A fast packet network that provides the customer high-speed access and throughput to different customer addresses. Utilizing statistical multiplexing, the frame relay network enables the customer to allocate bandwidth to applications as needed, rather than dedicating fixed channels to specific applications.
- I. Frame Relay Service Network Serving Area – Certain Telephone Company central offices are designated by the Telephone Company as Serving Area Points for the FRS Network Serving Area.
- J. Gateway Service – This service allows the Telephone Company FRS customers to interconnect to another FRS Network. The service is available wherever the Telephone Company has established a network interface with another private or public frame relay network. Gateway Service is only available where such network connectivity exists or where suitable connectivity arrangements can be made that are acceptable to the Telephone Company.

ISSUED:  
September 8, 2006

BY: Darlene N. Terry  
Manager - Tariffs  
5454 W. 110th Street  
Overland Park, KS 66211

EFFECTIVE:  
~~October 8, 2006~~

October 13, 2006

## GENERAL EXCHANGE TARIFF

SPRINT MISSOURI, INC.  
d/b/a SPRINT

Original Page 3

## FRAME RELAY SERVICE

## II. DEFINITIONS (Cont'd)

- C. Data Link Connection Identifier (DLCI) - The address information contained in the frame relay header which conveys to the network how an individual frame should be routed. The DLCI essentially defines to which customer end point a particular frame should be sent.
- D. Excess Burst Size ( $B_e$ ) - Denotes the data rate above Committed Information Rate (CIR) at which customer data will be admitted to the Frame Relay network. All Excess Burst data admitted to the network will be designated discard eligible.
- E. Frame - A sequence of contiguous bits delimited by beginning and ending flag sequences.
- F. Frame Relay Access Line (FRAL) - A FRAL is a UNI that provides access to the FRS Network. A FRAL can be purchased only if the customer has service (local dial tone) from the Telephone Company Serving Wire Center (SWC). A FRAL includes the provision of a frame relay access port.
- G. Frame Relay Port (FRAP) - FRAP is a port on the FRS network that is used to interconnect other Telephone Company provided private line services such as DigiLink<sup>sm</sup>, TransLink<sup>sm</sup> or a digital cross connect system port to the FRS. The FRAP is the physical entry point for PVCs. Ports include the electronic equipment used in connecting these service elements to the Frame Relay Network and enable customers to allocate bandwidth to applications as needed.
- H. Frame Relay Service (FRS) - A fast packet network that provides the customer high-speed access and throughput to different customer addresses. Utilizing statistical multiplexing, the frame relay network enables the customer to allocate bandwidth to applications as needed, rather than dedicating fixed channels to specific applications.
- I. Frame Relay Service Network Serving Area - Certain Telephone Company central offices are designated by the Telephone Company as Serving Area Points for the FRS Network Serving Area.
- J. Gateway Service - This service allows the Telephone Company FRS customers to interconnect to another FRS Network. The service is available wherever the Telephone Company has established a network interface with another private or public frame relay network. Gateway Service is only available where such network connectivity exists or where suitable connectivity arrangements can be made that are acceptable to the Telephone Company.

ISSUED:  
May 15, 1998

BY: Richard D. Lawson  
State Executive, External Affairs  
319 Madison  
Jefferson City, MO 65101

EFFECTIVE:  
June 16, 1998

**Cancelled**

October 13, 2006  
Missouri Public  
Service Commission

**Filed**  
Missouri Public  
Service Commission

GENERAL EXCHANGE TARIFF

SPRINT MISSOURI, INC.  
d/b/a SPRINT

Original Page 4

FRAME RELAY SERVICE

II. DEFINITIONS (Cont'd)

- K. Local Access and Transport Area - The term "Local Access and Transport Area" (LATA) denotes a geographic area for the provision and administration of communications service. It encompasses designated Access Areas which are grouped to serve common social, economic, and other purposes.
- L. Local Area Network (LAN) - A network permitting the interconnection and intercommunication of a group of computers, primarily for the sharing of resources such as data storage devices and printers.
- M. Logical Channel - A communications channel that allows two-way, simultaneous transmission of sequenced data packets through the network. No circuit capacity is pre-assigned to a logical channel. Capacity is made available as the data is transmitted. Each PVC is considered one logical channel.
- N. Maximum Burst Rate (MBR) - The term "Maximum Burst Rate (MBR)" denotes the maximum information rate at which customer traffic will be admitted to the Frame Relay network. Traffic rates in excess of MBR will be automatically discarded on ingress to the network. Maximum Burst Rate is equal to the sum of the Committed Information Rate (CIR) and Excess Burst Size ( $B_e$ ).
- O. Network to Network Interface (NNI) - The NNI specifies how a frame relay switch sends and receives data from a frame relay interexchange carrier's or other customer's network.
- P. Permanent Virtual Circuits (PVCs) - The PVC provides a software-defined electronic path between the two ports within the FRS Network. A UNI or NNI Port Connection can be associated with multiple PVCs. Since all PVCs need not be in use at the same time, it is possible for the total CIR of all PVCs associated with one port to exceed the bandwidth of the port. It is not possible, however for the simultaneous aggregate of the PVCs throughput to exceed the bandwidth of the port. Such a relationship is referred to as oversubscription or overbooking, and when this occurs, there can be no guarantee that the bandwidth defined for that PVC will be available at any point in time.
- Q. Protocol - A specific set of rules, procedures or conventions relating to format and timing of data transmission between two devices. It is a standard procedure that two data devices must accept and use to be able to understand each other. Protocols break a file into parts called blocks or packets. These packets are sent and the receiving computer checks the arriving packet and sends an acknowledgment back to the sending computer.

ISSUED:  
May 15, 1998

BY: Richard D. Lawson  
State Executive, External Affairs  
319 Madison  
Jefferson City, MO 65101

EFFECTIVE:  
June 16, 1998

CANCELLED  
October 19, 2009  
Missouri Public  
Service Commission  
TN-2010-0086; JI-2010-0155

**FILED**  
**MO PSC**

GENERAL EXCHANGE TARIFF

SPRINT MISSOURI, INC.  
d/b/a SPRINT

First Revised Page 5  
Cancels Original Page 5

FRAME RELAY SERVICE

II. DEFINITIONS (Cont'd)

- R. Serving Wire Center (SWC) - The customer's serving wire center is the Telephone Company central office from which the customer normally receives dial tone.
- S. Systems Network Architecture (SNA) - IBM's data communications scheme.
- T. Statistical Multiplexing - A multiplexing technique in which timeslots are dynamically allocated on the basis of need rather than being predetermined. The data is typically transmitted on a first come, first served basis.
- U. User to Network Interface (UNI) - The UNI is a standard interface used to connect the end user to the Telephone Company FRS Network. It receives the data frame from the customer's LAN or other CPE devices and verifies that the DLCI is valid before relaying the frame to the destination point.
- V. Utilization Reports - Reports that the customer can order that display circuit utilization for Frame Relay Access Ports (FRAP) and Permanent Virtual Circuits (PVC).

(N)  
|  
(N)

ISSUED:  
March 30, 2001

BY: Richard D. Lawson  
State Executive, External Affairs  
319 Madison  
Jefferson City, MO 65101

EFFECTIVE:  
April 30, 2001

GENERAL EXCHANGE TARIFF

SPRINT MISSOURI, INC.  
d/b/a SPRINT

RECEIVED

Original Page 5  
MAY 15 1998

FRAME RELAY SERVICE

MO. PUBLIC SERVICE COMM

II. DEFINITIONS (Cont'd)

- R. Serving Wire Center (SWC) - The customer's serving wire center is the Telephone Company central office from which the customer normally receives dial tone.
- S. Systems Network Architecture (SNA) - IBM's data communications scheme.
- T. Statistical Multiplexing - A multiplexing technique in which timeslots are dynamically allocated on the basis of need rather than being predetermined. The data is typically transmitted on a first come, first served basis.
- U. User to Network Interface (UNI) - The UNI is a standard interface used to connect the end user to the Telephone Company FRS Network. It receives the data frame from the customer's LAN or other CPE devices and verifies that the DLCI is valid before relaying the frame to the destination point.

CANCELLED

APR 30 2001

By *157 RP 5*  
Public Service Commission  
MISSOURI

FILED

JUN 16 1998

MISSOURI  
Public Service Commission

ISSUED:  
May 15, 1998

BY: Richard D. Lawson  
State Executive, External Affairs  
319 Madison  
Jefferson City, MO 65101

EFFECTIVE:  
June 16, 1998



GENERAL EXCHANGE TARIFF

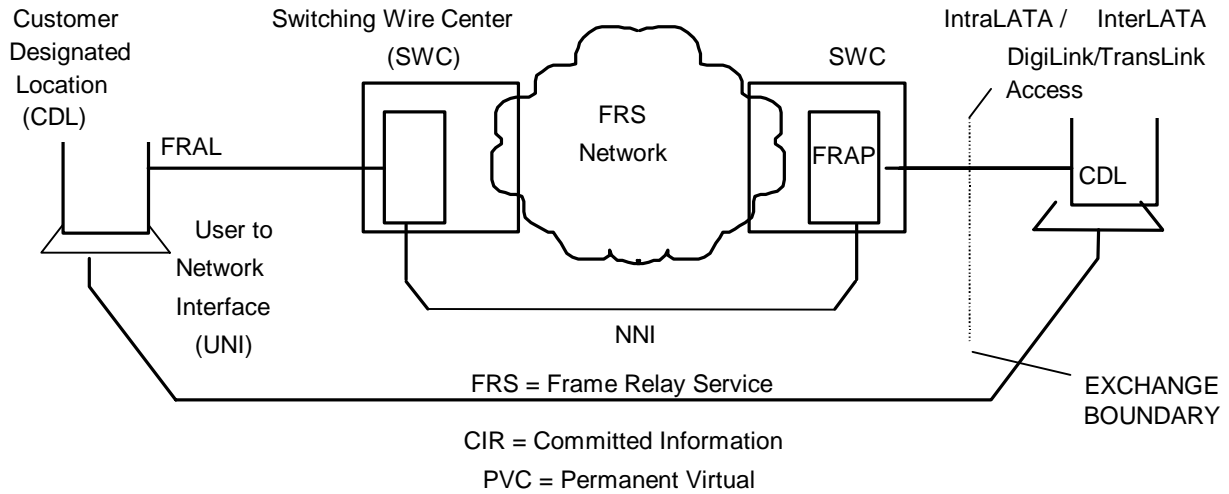
SPRINT MISSOURI, INC.  
d/b/a SPRINT

Original Page 6

FRAME RELAY SERVICE

II. DEFINITIONS (Cont'd)

The following diagram illustrates some of the above mentioned terms.



ISSUED:  
May 15, 1998

BY: Richard D. Lawson  
State Executive, External Affairs  
319 Madison  
Jefferson City, MO 65101

EFFECTIVE:  
June 16, 1998

CANCELLED  
October 19, 2009  
Missouri Public  
Service Commission  
TN-2010-0086; JI-2010-0155

**FILED**  
**MO PSC**

GENERAL EXCHANGE TARIFF

SPRINT MISSOURI, INC.  
d/b/a SPRINT

Original Page 7

FRAME RELAY SERVICE

III. GENERAL REGULATIONS

- A. FRS is provided to the customer in the form of an FRAL or a combination of digital, private line transport facilities (i.e. DigiLink or TransLink) a FRAP, and a PVC at a specified CIR. The FRAL or a combination of DigiLink/TransLink and a FRAP forms the customer access component to the FRS Network. DS3 Frame Relay Service is not offered bundled with the Frame Relay Access Line. DS3 Frame Relay Service is available on a UNI port only basis and the DS3 access line is obtained on an Individual Case Basis (ICB). The Frame Relay UNI Port Only offerings are provided for digital special access line connections to the network supporting Frame Relay Service. Digital special access lines are available from P.S.C. MO. No. 26 Section 7. A PVC must be ordered for transmission between any two locations. The CIR determines the speed that will be supported by the Telephone Company FRS Network under normal operating conditions.
- B. FRS, as provided for in this tariff section, is offered for local, intraLATA and intrastate interLATA use when Telephone Company facilities exist. The regulations and rates specified herein are in addition to the applicable regulations and rates specified in other tariffs and other sections of this tariff. If it is necessary to construct facilities to satisfy service requests, the service may be provided pursuant to the Telephone Company's Special Construction provisions.
- C. The minimum service period for FRS is three months. FRS may be ordered on a month-to-month basis or through a Term Discount Plan for fixed periods of 12 to 84 months.
- D. When the customer orders additional PVCs, nonrecurring charges shall apply. In addition, nonrecurring charges shall apply to all changes made to a customer's frame relay configuration at the customer's request. Such changes are defined as those necessary to add, delete, or rearrange the customer's configuration, including changes to CIRs. One PVC nonrecurring charge shall apply for each PVC changed.
- E. The FRAL will be ordered from the tariff of the state in which the SWC is located.
- F. Whenever facilities are provided jointly by the Telephone Company and one or more other telephone companies, the regulations, rates and charges of such other telephone companies apply for the equipment and facilities furnished by them for use in connection with the interexchange FRS provided by the Telephone Company.

ISSUED:  
May 15, 1998

BY: Richard D. Lawson  
State Executive, External Affairs  
319 Madison  
Jefferson City, MO 65101

EFFECTIVE:  
June 16, 1998

GENERAL EXCHANGE TARIFF

SPRINT MISSOURI, INC.  
d/b/a SPRINT

Original Page 8

FRAME RELAY SERVICE

III. GENERAL REGULATIONS (Cont'd)

- G. Where it is necessary to use interexchange or local channel facilities of another telephone company in order to furnish a private line service to interconnect to the Telephone Company's FRS, such service will be furnished only if satisfactory arrangements can be made with the other company.
- H. Due to technical limitations, the distance between the SWC and the customer designated location (CDL) is limited to approximately 12,000 feet for 1.544 mbps access or 18,000 feet for 56 kbps access. A Telephone Company engineer may allow some deviation of this specification based on the gauge of wire used. For access lines that exceed this specification, the access line may be made operational by adding additional equipment. The Telephone Company will apply a special construction charge for the additional time and material required.

IV. OBLIGATIONS OF THE TELEPHONE COMPANY

- A. The responsibility of the Telephone Company shall be limited to furnishing network equipment suitable for FRS and to the maintenance and operation of such equipment in a manner proper for such service. Subject to this responsibility, the Telephone Company shall not be responsible for the through transmission of signals generated by the customer provided equipment or system, or for the quality of, or defects in, such transmission or the reception of signals by such equipment or systems.
- B. The Telephone Company shall not be responsible for installation, operation or maintenance of any terminal equipment, data unit or communications system provided by a customer or user. The Telephone Company is not responsible for adapting FRS to the technological requirements of any specific customer equipment.
- C. The Telephone Company shall not be responsible to the customer or user if changes in any of the equipment, operations or procedures of the Telephone Company used in the provision of FRS render any facilities provided by the customer or user obsolete or require modification or alteration of such equipment or system or otherwise affect its use or performance, provided the Telephone Company has met any applicable information disclosure requirements otherwise required by law.

ISSUED:  
May 15, 1998

BY: Richard D. Lawson  
State Executive, External Affairs  
319 Madison  
Jefferson City, MO 65101

EFFECTIVE:  
June 16, 1998

GENERAL EXCHANGE TARIFF

SPRINT MISSOURI, INC.  
d/b/a SPRINT

Original Page 9

FRAME RELAY SERVICE

IV. OBLIGATIONS OF THE TELEPHONE COMPANY (Cont'd)

D. In order to maintain the quality of FRS, the Telephone Company reserves the right to perform preventative maintenance and software updates to the network. The Telephone Company has classified this maintenance as indicated below:

Scheduled Maintenance

Scheduled maintenance is used to perform such functions as hardware and software upgrades and network optimization. The Telephone Company will perform these tasks in a maintenance window that is defined as occurring between midnight and 6 a.m., local switch time, seven days per week. The Telephone Company will provide advance notice of all scheduled maintenance.

Demand Maintenance

Demand maintenance may occur as a result of unexpected events and is used when FRS network elements are in jeopardy. The Telephone Company will perform this type of maintenance at its discretion. Due to the nature of demand maintenance prior notification may not be possible, however, the customer will be informed when the maintenance has been completed.

V. OBLIGATIONS OF THE CUSTOMER

A. The customer's Frame Relay compatible terminal equipment has the responsibility for re-transmitting frames that are discarded due to errors or network congestion.

B. Where FRS is available for use in connection with communications systems or equipment provided by a customer or user, the operating characteristics of such systems or equipment shall be such as not to interfere with any services offered by the Telephone Company. Such use is subject to the further provisions that the equipment provided by the customer or user does not endanger the safety of Telephone Company employees or the public; damage, harm, require change in or alteration of the equipment or other services of the Telephone Company; interfere with the proper operation of the Telephone Company's equipment or otherwise injure the public in its use of Telephone Company services. Upon notice from the Telephone Company that the equipment provided by the customer or user is causing, or is likely to cause, such hazard or interference, the customer shall take such steps as shall be necessary to remove or prevent such hazard or interference.

ISSUED:  
May 15, 1998

BY: Richard D. Lawson  
State Executive, External Affairs  
319 Madison  
Jefferson City, MO 65101

EFFECTIVE:  
June 16, 1998

CANCELLED  
October 19, 2009  
Missouri Public  
Service Commission  
TN-2010-0086; JI-2010-0155

**FILED**  
**MO PSC**

GENERAL EXCHANGE TARIFF

SPRINT MISSOURI, INC.  
d/b/a SPRINT

Original Page 10

FRAME RELAY SERVICE

V. OBLIGATIONS OF THE CUSTOMER (Cont'd)

- C. The customer, upon request, shall furnish such CPE information as may be required to permit the Telephone Company to design and maintain the FRS it offers and to assure that the service arrangement is in compliance with the regulations contained herein.
- D. At service subscription, the customer should specify the CIR and B<sub>e</sub> of each PVC ordered. CIR is the maximum information rate at which the customer's traffic will be admitted to the Frame Relay network without being designated eligible for discard. A default of fifty (50) percent of the smallest port size will be assigned as the CIR should the information not be provided. No individual PVC CIR shall exceed (95) percent of the FRAP access rate. The sum of all CIR on a single FRAP must not exceed two hundred (200) percent of the FRAP access rate.

VI. TERM DISCOUNT PLAN (TDP)

- A. Term Discount Plan (TDP) provides the customer with discounted tariff rates. The customer must order a TDP in writing to the Telephone Company. A TDP may be ordered in increments of one month, based on the following plan options.

Plan A:	12 - 23 months
Plan B:	24 - 35 months
Plan C:	36 - 59 months
Plan D:	60 - 84 months

- B. Rate increases or decreases will automatically be applied to the monthly term plan rates for the remaining term of the TDP. If a Telephone Company initiated rate increase causes a customer's rates to exceed the original rates in effect at the beginning of the TDP, the customer may cancel the TDP without incurring termination liability charges.
- C. The customer must specify the length of the initial service period at the time the service is ordered.
- D. If Special Construction charges were applied to the service being terminated, any termination charges associated with the Special Construction will also apply.

ISSUED:  
May 15, 1998

BY: Richard D. Lawson  
State Executive, External Affairs  
319 Madison  
Jefferson City, MO 65101

EFFECTIVE:  
June 16, 1998

CANCELLED  
October 19, 2009  
Missouri Public  
Service Commission  
TN-2010-0086; JI-2010-0155

**FILED**  
**MO PSC**

P.S.C. MO.-No. 22 Section 21  
GENERAL EXCHANGE TARIFF

Embarq Missouri, Inc.  
d/b/a Embarq

Fourth Revised Page 11  
Cancels Third Revised Page 11

FRAME RELAY SERVICE

VI. TERM DISCOUNT PLAN (TDP) (Cont'd)

D. (Cont'd)

1. A customer wishing to establish a TDP must commit at least 80 percent of its in-service UNI Ports, and associated Access Links, to be eligible for one, three or five year discounts. The commitment level will be based on UNI Port quantities. Customers may disconnect or move UNI Ports and are not subject to termination liability charges as long as the commitment levels are maintained.
2. A subsequent order to add FRS UNI Ports to an existing fixed-period service agreement must be for a fixed-period per Plan A, B, C, D or for the remainder of the existing fixed-period service agreement.
3. If a customer's in-service level falls below the 80 percent commitment level, termination liability charges will be 50 percent of the total monthly recurring charges for the remaining period. This applies to Plan A, B, C and D.

- E. When a service or rate element under a Term Discount Plan (TDP) arrangement is disconnected prior to the expiration of a selected service period as a result of a change in tariff jurisdiction and/or a customer requested change to a next generation service offering of a separately tariffed service, Termination Charges will not apply when:

The service period of the new Term Discount Plan arrangement for the new service offering is a minimum period equal to or exceeding the remaining service period of the disconnected arrangement, whichever is greater, and

The service orders to install the new service and disconnect the old service are related together, and there is no lapse in service between installation of the new service and disconnection of the existing service, and

The service orders are for the same customer at the same location.

Frame Relay Service to: Asynchronous Transfer Mode (ATM) is an example of a next generation service offering.

(D)  
(D)

ISSUED:  
March 6, 2009

BY: Darlene N. Terry  
Manager - Tariffs  
5454 W. 110th Street  
Overland Park, Kansas 66211

EFFECTIVE:  
April 5, 2009

CANCELLED  
October 19, 2009  
Missouri Public  
Service Commission  
TN-2010-0086; JI-2010-0155

FILED  
Missouri Public  
Service Commission  
JI-2009-0634

P.S.C. MO.-No. 22 Section 21  
GENERAL EXCHANGE TARIFF

Embarq Missouri, Inc.  
d/b/a Embarq

Third Revised Page 11  
Cancels Second Revised Page 11

FRAME RELAY SERVICE

VI. TERM DISCOUNT PLAN (TDP) (Cont'd)

D. (Cont'd)

1. A customer wishing to establish a TDP must commit at least 80 percent of its in-service UNI Ports, and associated Access Links, to be eligible for one, three or five year discounts. The commitment level will be based on UNI Port quantities. Customers may disconnect or move UNI Ports and are not subject to termination liability charges as long as the commitment levels are maintained.
2. A subsequent order to add FRS UNI Ports to an existing fixed-period service agreement must be for a fixed-period per Plan A, B, C, D or for the remainder of the existing fixed-period service agreement.
3. If a customer's in-service level falls below the 80 percent commitment level, termination liability charges will be 50 percent of the total monthly recurring charges for the remaining period. This applies to Plan A, B, C and D.

- E. When a service or rate element under a Term Discount Plan (TDP) arrangement is disconnected prior to the expiration of a selected service period as a result of a change in tariff jurisdiction and/or a customer requested change to a next generation service offering of a separately tariffed service, Termination Charges will not apply when:

The service period of the new Term Discount Plan arrangement for the new service offering is a minimum period equal to or exceeding the remaining service period of the disconnected arrangement, whichever is greater, and

The service orders to install the new service and disconnect the old service are related together, and there is no lapse in service between installation of the new service and disconnection of the existing service, and

The service orders are for the same customer at the same location.

Frame Relay Service to: Asynchronous Transfer Mode (ATM) is an example of a next generation service offering.

- F. Service Charges are waived for one, two, three and five year term commitments when the customer also subscribes to the Company's **non-regulated Dedicated IP Service**. (C)

ISSUED:  
March 16, 2007

BY: Darlene N. Terry  
Manager - Tariffs  
5454 W. 110th Street  
Overland Park, Kansas 66211

EFFECTIVE:  
April 15, 2007

CANCELLED  
April 5, 2009  
Missouri Public  
Service Commission  
JI-2009-0634

**Filed**  
Missouri Public  
Service Commission

EMBARQ MISSOURI, INC.  
d/b/a EMBARQ

Second Revised Page 11 (C)  
Cancels First Revised Page 11 (C)

FRAME RELAY SERVICE

VI. TERM DISCOUNT PLAN (TDP) (Cont'd)

D. (Cont'd)

1. A customer wishing to establish a TDP must commit at least 80 percent of its in-service UNI Ports, and associated Access Links, to be eligible for one, three or five year discounts. The commitment level will be based on UNI Port quantities. Customers may disconnect or move UNI Ports and are not subject to termination liability charges as long as the commitment levels are maintained.
2. A subsequent order to add FRS UNI Ports to an existing fixed-period service agreement must be for a fixed-period per Plan A, B, C, D or for the remainder of the existing fixed-period service agreement.
3. If a customer's in-service level falls below the 80 percent commitment level, termination liability charges will be 50 percent of the total monthly recurring charges for the remaining period. This applies to Plan A, B, C and D.

- E. When a service or rate element under a Term Discount Plan (TDP) arrangement is disconnected prior to the expiration of a selected service period as a result of a change in tariff jurisdiction and/or a customer requested change to a next generation service offering of a separately tariffed service, Termination Charges will not apply when:

The service period of the new Term Discount Plan arrangement for the new service offering is a minimum period equal to or exceeding the remaining service period of the disconnected arrangement, whichever is greater, and

The service orders to install the new service and disconnect the old service are related together, and there is no lapse in service between installation of the new service and disconnection of the existing service, and

The service orders are for the same customer at the same location.

Frame Relay Service to: Asynchronous Transfer Mode (ATM) is an example of a next generation service offering.

- F. **Service Charges are waived for one, two, three and five year term commitments when the customer also subscribes to the Company's non-regulated 1.5 Dedicated IP Service.**

(N)  
(N)

(MT)

(MT)

(MT) Material previously appearing on this page now appears on First Revised Page 12.

ISSUED:  
May 31, 2006

BY: Chad Eckhart  
Vice President, Regulatory Affairs  
6450 Sprint Parkway  
Overland Park, Kansas 66251

EFFECTIVE:  
June 30, 2006



FRAME RELAY SERVICE

VI. TERM DISCOUNT PLAN (TDP) (Cont'd)

D. (Cont'd)

1. A customer wishing to establish a TDP must commit at least 80 percent of its in-service UNI Ports, and associated Access Links, to be eligible for one, three or five year discounts. The commitment level will be based on UNI Port quantities. Customers may disconnect or move UNI Ports and are not subject to termination liability charges as long as the commitment levels are maintained.
2. A subsequent order to add FRS UNI Ports to an existing fixed-period service agreement must be for a fixed-period per Plan A, B, C, D or for the remainder of the existing fixed-period service agreement.
3. If a customer's in-service level falls below the 80 percent commitment level, termination liability charges will be 50 percent of the total monthly recurring charges for the remaining period. This applies to Plan A, B, C and D.

***E. When a service or rate element under a Term Discount Plan (TDP) arrangement is disconnected prior to the expiration of a selected service period as a result of a change in tariff jurisdiction and/or a customer requested change to a next generation service offering of a separately tariffed service, Termination Charges will not apply when:***

***The service period of the new Term Discount Plan arrangement for the new service offering is a minimum period equal to or exceeding the remaining service period of the disconnected arrangement, whichever is greater, and***

***The service orders to install the new service and disconnect the old service are related together, and there is no lapse in service between installation of the new service and disconnection of the existing service, and***

***The service orders are for the same customer at the same location.***

***Frame Relay Service to: Asynchronous Transfer Mode (ATM) is an example of a next generation service offering.***

(N)

(N)

VII. SERVICE COMPONENTS

- A. Frame Relay Access Line (FRAL) - A nonrecurring charge and monthly rate apply based on the speed of the port connection for each physical connection. The FRAL includes the provision of a port.
- B. Frame Relay Access Port (FRAP) - A nonrecurring charge and monthly rate based on the speed of the port connection applies per port connection to the network supporting FRS. The port rate element can be used in lieu of the FRAL element if the customer has an alternative Company-approved means of access to the Frame Relay Network (such as DigiLink/TransLink).
- C. CIR and PVC - A monthly rate applies for each PVC based on the CIR requested by the customer. If no CIR is indicated, the CIR will be set at the default of 50% of the associated Frame Relay Port. A nonrecurring charge applies for the establishment of each PVC and for each subsequent order of PVC(s). A separate rate is established for PVCs that are IntraLATA and for PVCs that are InterLATA.

ISSUED:  
July 24, 2001

**Cancelled**  
June 30, 2006  
Missouri Public  
Service Commission

BY: Richard D. Lawson  
State Executive, External Affairs  
319 Madison  
Jefferson City, MO 65101

EFFECTIVE:  
August 23, 2001

**Filed**  
Missouri Public  
Service Commission

GENERAL EXCHANGE TARIFF

RECEIVED

SPRINT MISSOURI, INC.  
d/b/a SPRINT

Original Page 11  
MAY 15 1998

FRAME RELAY SERVICE

MO. PUBLIC SERVICE COMM

VI. TERM DISCOUNT PLAN (TDP) (Cont'd)

D. (Cont'd)

1. A customer wishing to establish a TDP must commit at least 80 percent of its in-service UNI Ports, and associated Access Links, to be eligible for one, three or five year discounts. The commitment level will be based on UNI Port quantities. Customers may disconnect or move UNI Ports and are not subject to termination liability charges as long as the commitment levels are maintained.
2. A subsequent order to add FRS UNI Ports to an existing fixed-period service agreement must be for a fixed-period per Plan A, B, C, D or for the remainder of the existing fixed-period service agreement.
3. If a customer's in-service level falls below the 80 percent commitment level, termination liability charges will be 50 percent of the total monthly recurring charges for the remaining period. This applies to Plan A, B, C and D.

VII. SERVICE COMPONENTS

- A. Frame Relay Access Line (FRAL) - A nonrecurring charge and monthly rate apply based on the speed of the port connection for each physical connection. The FRAL includes the provision of a port.
- B. Frame Relay Access Port (FRAP) - A nonrecurring charge and monthly rate based on the speed of the port connection applies per port connection to the network supporting FRS. The port rate element can be used in lieu of the FRAL element if the customer has an alternative Company-approved means of access to the Frame Relay Network (such as DigiLink/TransLink).
- C. CIR and PVC - A monthly rate applies for each PVC based on the CIR requested by the customer. If no CIR is indicated, the CIR will be set at the default of 50% of the associated Frame Relay Port. A nonrecurring charge applies for the establishment of each PVC and for each subsequent order of PVC(s). A separate rate is established for PVCs that are IntraLATA and for PVCs that are InterLATA.

FILED

CANCELLED

JUN 16 1998

AUG 23 2001

1st RP II

Public Service Commission  
MISSOURI

MISSOURI  
Public Service Commission

ISSUED:  
May 15, 1998

BY: Richard D. Lawson  
State Executive, External Affairs  
319 Madison  
Jefferson City, MO 65101

EFFECTIVE:  
June 16, 1998

GENERAL EXCHANGE TARIFF

EMBARQ MISSOURI, INC  
d/b/a EMBARQ

First Revised Page 12 (C)  
Cancels Original Page 12 (C)

FRAME RELAY SERVICE

VII. SERVICE COMPONENTS

- A. Frame Relay Access Line (FRAL) - A nonrecurring charge and monthly rate apply based on the speed of the port connection for each physical connection. The FRAL includes the provision of a port.
- B. Frame Relay Access Port (FRAP) - A nonrecurring charge and monthly rate based on the speed of the port connection applies per port connection to the network supporting FRS. The port rate element can be used in lieu of the FRAL element if the customer has an alternative Company-approved means of access to the Frame Relay Network (such as DigiLink/TransLink).
- C. CIR and PVC - A monthly rate applies for each PVC based on the CIR requested by the customer. If no CIR is indicated, the CIR will be set at the default of 50% of the associated Frame Relay Port. A nonrecurring charge applies for the establishment of each PVC and for each subsequent order of PVC(s). A separate rate is established for PVCs that are IntraLATA and for PVCs that are InterLATA.

(MT)

Customers may select from three different classes of PVCs to ensure greater reliability for mission-critical applications in the event of network congestion:

- Standard Priority - Frame for LAN
- Higher Priority - Frame for SNA
- Highest Priority - Frame for Voice

(MT)

This flexibility helps to ensure maximum performance and satisfaction for individual customer data applications.

- D. Administrative Charge – Applies to changes in a customer’s network configuration such as additions or changes of PVCs. Although multiple changes can be caused by such actions, only one administrative charge applies.
- E. Private Network-to-Network Interface (Private NNI) - A charge for a DS1 facility from a customer’s FRS switch location to the Telephone Company’s FRS Network. In addition to the access facility, a 1.544 FRAP will be purchased.
- F. Frame to Asynchronous Transfer Mode (ATM) Inter-Networking Links - The Telephone Company may establish facilities between FRS switching equipment and ATM Service switching equipment and may allow customers to share bandwidth on these facilities. Where these shared facilities are available to customers, the Frame to ATM Inter-Networking Link option exists. In addition to the FRS Customer Connection, the customer may subscribe to a Frame to ATM Inter-Networking Link. Links that extend between Frame Relay and ATM switches must have an associated CIR. One PVC exists between both customer premises through the Link. All CIRs on this PVC must have the same value. Frame to ATM Inter-Networking Links are only available where such facilities exist.

(MT) Material now appearing on this page previously appeared on First Revised Page 11.

ISSUED:  
May 31, 2006

BY: Chad Eckhart  
Vice President, Regulatory Affairs  
6450 Sprint Parkway  
Overland Park, Kansas 66251

EFFECTIVE:  
June 30, 2006

GENERAL EXCHANGE TARIFF

PRINT MISSOURI, INC.  
d/b/a SPRINT

Original Page 12

FRAME RELAY SERVICE

VII. SERVICE COMPONENTS (Cont'd)

C. (Cont'd)

Customers may select from three different classes of PVCs to ensure greater reliability for mission-critical applications in the event of network congestion:

- Standard Priority - Frame for LAN
- Higher Priority - Frame for SNA
- Highest Priority - Frame for Voice

This flexibility helps to ensure maximum performance and satisfaction for individual customer data applications.

- D. Administrative Charge - Applies to changes in a customer's network configuration such as additions or changes of PVCs. Although multiple changes can be caused by such actions, only one administrative charge applies.
- E. Private Network-to-Network Interface (Private NNI) - A charge for a DSL facility from a customer's FRS switch location to the Telephone Company's FRS Network. In addition to the access facility, a 1.544 FRAP will be purchased.
- F. Frame to Asynchronous Transfer Mode (ATM) Inter-Networking Links - The Telephone Company may establish facilities between FRS switching equipment and ATM Service switching equipment and may allow customers to share bandwidth on these facilities. Where these shared facilities are available to customers, the Frame to ATM Inter-Networking Link option exists. In addition to the FRS Customer Connection, the customer may subscribe to a Frame to ATM Inter-Networking Link. Links that extend between Frame Relay and ATM switches must have an associated CIR. One PVC exists between both customer premises through the Link. All CIRs on this PVC must have the same value. Frame to ATM Inter-Networking Links are only available where such facilities exist.

ISSUED:  
May 15, 1998

BY: Richard D. Lawson  
State Executive, External Affairs  
319 Madison  
Jefferson City, MO 65101

EFFECTIVE:  
June 16, 1998

**Cancelled**

June 30, 2006

Missouri Public  
Service Commission

**Filed**

Missouri Public  
Service Commission

GENERAL EXCHANGE TARIFF

SPRINT MISSOURI, INC.  
d/b/a SPRINT

First Revised Page 13  
Cancels Original Page 13

FRAME RELAY SERVICE

VII. SERVICE COMPONENTS (Cont'd)

G. Gateway Service - This service allows the Telephone Company FRS customers to interconnect to another FRS Network. The service is available wherever the Telephone Company has established a network interface with another private or public frame relay network. The charge for this service covers the facility from the Telephone Company FRS port to the interconnecting FRS of another company. The charge includes the software defined PVC to the other company's network to the UNI port, but does not include the UNI port provided by the other company. The Gateway charge is purchased in increments of CIR. The following diagram shows a typical customer network that has three data devices interconnected to the Telephone Company FRS (sites D, E & F). The customer needs to interconnect their data devices to a fourth site (C) located on the FRS of another company. The customer accomplishes this by ordering three PVCs and three Gateway service connections to the other company's FRS Network. This example assumes that frame relay access from site C is already established as illustrated **on Page 14.**

(T)

H. **Utilization Reports - Reports that the customer can order that display certain circuit utilization statistics for Permanent Virtual Circuits (PVC) and Frame Relay Access Ports (FRAP). The PVC report summarizes inbound and outbound packet discards and displays utilization as a percentage of CIR. The FRAP report summarizes inbound and outbound packet discards and displays utilization as a percent of port speed. Reports are ordered on a per port basis. Service is not available to NNI locations. A monthly plan and Term Discount Plans are available for fixed periods of 12 to 60 months. Reports are available only where Company facilities permit.**

(N)

(N)

ISSUED:  
March 30, 2001

BY: Richard D. Lawson  
State Executive, External Affairs  
319 Madison  
Jefferson City, MO 65101

EFFECTIVE:  
April 30, 2001

CANCELLED  
October 19, 2009  
Missouri Public  
Service Commission  
TN-2010-0086; JI-2010-0155

**FILED**  
**MO PSC**

GENERAL EXCHANGE TARIFF

SPRINT MISSOURI, INC.  
d/b/a SPRINT

RECEIVED  
Original Page 13  
MAY 15 1998

FRAME RELAY SERVICE

MO. PUBLIC SERVICE COMM

VII. SERVICE COMPONENTS (Cont'd)

G. Gateway Service - This service allows the Telephone Company FRS customers to interconnect to another FRS Network. The service is available wherever the Telephone Company has established a network interface with another private or public frame relay network. The charge for this service covers the facility from the Telephone Company FRS port to the interconnecting FRS of another company. The charge includes the software defined PVC to the other company's network to the UNI port, but does not include the UNI port provided by the other company. The Gateway charge is purchased in increments of CIR. The following diagram shows a typical customer network that has three data devices interconnected to the Telephone Company FRS (sites D, E & F). The customer needs to interconnect their data devices to a fourth site (C) located on the FRS of another company. The customer accomplishes this by ordering three PVCs and three Gateway service connections to the other company's FRS Network. This example assumes that frame relay access from site C is already established as illustrated.

CANCELLED

APR 30 2001

E, 1st RP 13  
Public Service Commission  
MISSOURI

FILED

JUN 16 1998

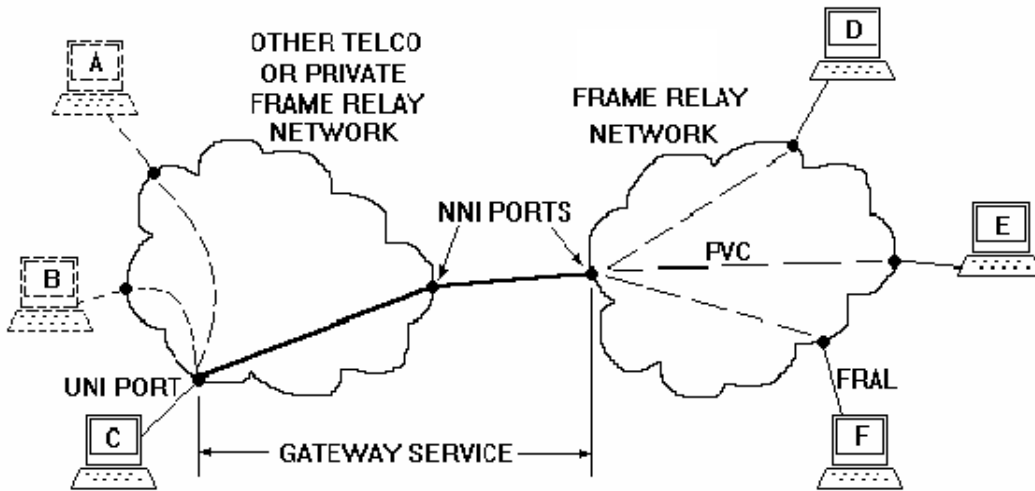
MISSOURI  
Public Service Commission  
EFFECTIVE:  
June 16, 1998

ISSUED:  
May 15, 1998

BY: Richard D. Lawson  
State Executive, External Affairs  
319 Madison  
Jefferson City, MO 65101

FRAME RELAY SERVICE

**GATEWAY SERVICE**



(T)

ISSUED:  
September 8, 2006

BY: Darlene N. Terry  
Manager - Tariffs  
5454 W. 110th Street  
Overland Park, KS 66211

EFFECTIVE:  
~~October 8, 2006~~  
October 13, 2006

CANCELLED  
October 19, 2009  
Missouri Public  
Service Commission  
TN-2010-0086; JI-2010-0155

**Filed**  
Missouri Public  
Service Commission

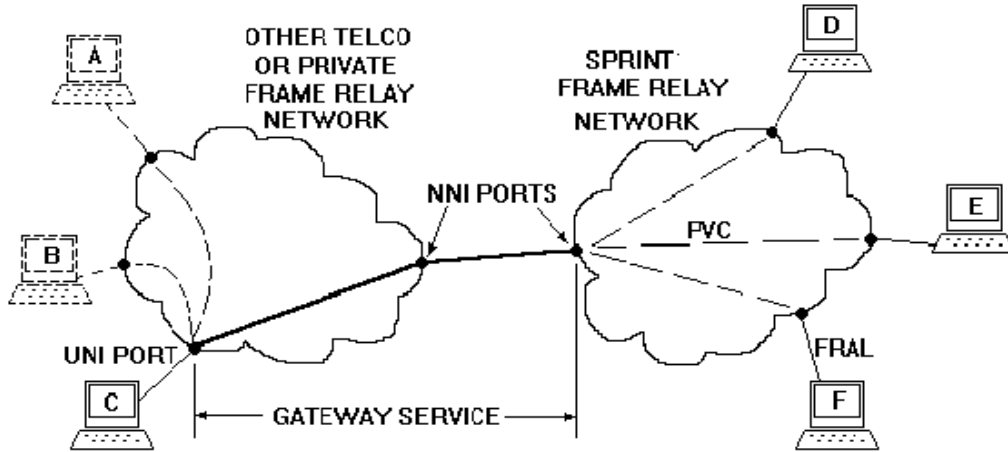
GENERAL EXCHANGE TARIFF

SPRINT MISSOURI, INC.  
d/b/a SPRINT

Original Page 14

FRAME RELAY SERVICE

**GATEWAY SERVICE**



ISSUED:  
May 15, 1998

BY: Richard D. Lawson  
State Executive, External Affairs  
319 Madison  
Jefferson City, MO 65101

EFFECTIVE:  
June 16, 1998

**Cancelled**

October 13, 2006  
Missouri Public  
Service Commission

**Filed**

Missouri Public  
Service Commission



GENERAL EXCHANGE TARIFF

Embarq Missouri, Inc.  
d/b/a Embarq

Third Revised Page 15  
Cancels Second Revised Page 15

FRAME RELAY SERVICE

VIII. RATES AND CHARGES

A. Frame Relay Access Line (FRAL) (includes Access Line and Port)

	<u>S&amp;E Code</u>	<u>Monthly Rate</u>	<u>NRC</u>	
56 Kbps				
Month to month	FCEALTA	\$125.00	\$275.00	
12-23 months	FCEALTA(F1Y)	\$110.00	N/A	
24-35 month	FCEALTA(F2Y)	\$100.00	N/A	
36-59 months	FCEALTA(F3Y)	\$95.00	N/A	
60-84 months	FCEALTA(F5Y)	\$80.00	N/A	
64 Kbps*				
Month to month	FCEALTC	\$130.00	\$300.00	
12-23 months	FCEALTC(F1Y)	\$115.00	N/A	
24-35 months	FCEALTC(F2Y)	\$105.00	N/A	
36-59 months	FCEALTC(F3Y)	\$100.00	N/A	
60-84 months	FCEALTC(F5Y)	\$85.00	N/A	
128 Kbps				
Month to month	FCEALTD	<b>\$290.00</b>	\$350.00	(1)
12-23 months	FCEALTD(F1Y)	<b>\$255.00</b>	N/A	
24-35 months	FCEALTD(F2Y)	<b>\$250.00</b>	N/A	
36-59 months	FCEALTD(F3Y)	<b>\$186.00</b>	N/A	
60-84 months	FCEALTD(F5Y)	<b>\$159.00</b>	N/A	(1)
256 Kbps				
Month to month	FCEALTE	\$290.00	\$375.00	
12-23 months	FCEALTE(F1Y)	\$255.00	N/A	
24-35 months	FCEALTE(F2Y)	\$250.00	N/A	
36-59 months	FCEALTE(F3Y)	\$240.00	N/A	
60-84 months	FCEALTE(F5Y)	\$210.00	N/A	
384 Kbps				
Month to month	FCEALTF	<b>\$490.00</b>	\$425.00	(1)
12-23 months	FCEALTF(F1Y)	<b>\$435.00</b>	N/A	
24-35 months	FCEALTF(F2Y)	<b>\$385.00</b>	N/A	
36-59 months	FCEALTF(F3Y)	<b>\$330.00</b>	N/A	
60-84 months	FCEALTF(F5Y)	<b>\$290.00</b>	N/A	(1)
512 Kbps				
Month to month	FCEALTG	<b>\$490.00</b>	\$475.00	(1)
12-23 months	FCEALTG(F1Y)	\$435.00	N/A	
24-35 months	FCEALTG(F2Y)	\$385.00	N/A	
36-59 months	FCEALTG(F3Y)	\$340.00	N/A	
60-84 months	FCEALTG(F5Y)	\$290.00	N/A	
1.544 Mbps				
Month to month	FCEALTB	<b>\$575.00</b>	\$575.00	(1)
12-23 months	FCEALTB(F1Y)	\$510.00	N/A	
24-35 months	FCEALTB(F2Y)	\$450.00	N/A	
36-59 months	FCEALTB(F3Y)	\$390.00	N/A	
60-84 months	FCEALTB(F5Y)	\$340.00	N/A	

\* Where conditions allow

ISSUED:  
January 20, 2009

BY: Darlene N. Terry  
Manager - Tariffs

5454 W. 110th Street  
Overland Park, Kansas 66211

EFFECTIVE:  
February 1, 2009

GENERAL EXCHANGE TARIFF

**Embarq Missouri, Inc.  
d/b/a Embarq**

Second Revised Page 15 (C)  
Cancels First Revised Page 15 (C)

FRAME RELAY SERVICE

VIII. RATES AND CHARGES

A. Frame Relay Access Line (FRAL) (includes Access Line and Port)

	<u>S&amp;E Code</u>	<u>Monthly Rate</u>	<u>NRC</u>	
56 Kbps				
Month to month	FCEALTA	<b>\$125.00</b>	\$275.00	(I)
12-23 months	FCEALTA(F1Y)	\$110.00	N/A	
24-35 months	FCEALTA(F2Y)	\$100.00	N/A	
36-59 months	FCEALTA(F3Y)	\$95.00	N/A	
60-84 months	FCEALTA(F5Y)	\$80.00	N/A	
64 Kbps*				
Month to month	FCEALTC	<b>\$130.00</b>	\$300.00	(I)
12-23 months	FCEALTC(F1Y)	\$115.00	N/A	
24-35 months	FCEALTC(F2Y)	\$105.00	N/A	
36-59 months	FCEALTC(F3Y)	\$100.00	N/A	
60-84 months	FCEALTC(F5Y)	\$85.00	N/A	
128 Kbps				
Month to month	FCEALTD	<b>\$210.00</b>	\$350.00	(I)
12-23 months	FCEALTD(F1Y)	\$195.00	N/A	
24-35 months	FCEALTD(F2Y)	\$185.00	N/A	
36-59 months	FCEALTD(F3Y)	\$170.00	N/A	
60-84 months	FCEALTD(F5Y)	\$145.00	N/A	
256 Kbps				
Month to month	FCEALTE	<b>\$290.00</b>	\$375.00	(I)
12-23 months	FCEALTE(F1Y)	\$255.00	N/A	
24-35 months	FCEALTE(F2Y)	\$250.00	N/A	
36-59 months	FCEALTE(F3Y)	\$240.00	N/A	
60-84 months	FCEALTE(F5Y)	\$210.00	N/A	
384 Kbps				
Month to month	FCEALTF	<b>\$375.00</b>	\$425.00	(I)
12-23 months	FCEALTF(F1Y)	\$350.00	N/A	
24-35 months	FCEALTF(F2Y)	\$345.00	N/A	
36-59 months	FCEALTF(F3Y)	\$300.00	N/A	
60-84 months	FCEALTF(F5Y)	\$255.00	N/A	
512 Kbps				
Month to month	FCEALTG	<b>\$455.00</b>	\$475.00	(I)
12-23 months	FCEALTG(F1Y)	\$435.00	N/A	
24-35 months	FCEALTG(F2Y)	\$385.00	N/A	
36-59 months	FCEALTG(F3Y)	\$340.00	N/A	
60-84 months	FCEALTG(F5Y)	\$290.00	N/A	
1.544 Mbps				
Month to month	FCEALTB	<b>\$540.00</b>	\$575.00	(I)
12-23 months	FCEALTB(F1Y)	\$510.00	N/A	
24-35 months	FCEALTB(F2Y)	\$450.00	N/A	
36-59 months	FCEALTB(F3Y)	\$390.00	N/A	
60-84 months	FCEALTB(F5Y)	\$340.00	N/A	

\* Where conditions allow

ISSUED:  
December 3, 2007

BY: Darlene N. Terry  
Manager - Tariffs  
5454 W. 110th Street  
Overland Park, Kansas 66211

EFFECTIVE:  
January 30, 2008

CANCELLED  
February 1, 2009  
Missouri Public  
Service Commission  
JI-2009-0528

FILED  
Missouri Public  
Service Commission

FRAME RELAY SERVICE

VIII. RATES AND CHARGES

A. Frame Relay Access Line (FRAL) (includes Access Line and Port)

	S&E Code	Monthly Rate	NRC
<b>56 Kbps</b>			
<b>Month to month</b>	<b>FCEALTA</b>	<b>\$120.00</b>	<b>\$275.00</b>
<b>12-23 months</b>	<b>FCEALTA(F1Y)</b>		
<b>\$110.00</b>	<b>N/A</b>		(CR)
<b>24-35 months</b>	<b>FCEALTA(F2Y)</b>		(CR)
<b>\$100.00</b>	<b>N/A</b>		(CR)
<b>36-59 months</b>	<b>FCEALTA(F3Y)</b>		(CR)
<b>\$95.00</b>	<b>N/A</b>		(CR)
<b>60-84 months</b>	<b>FCEALTA(F5Y)</b>		(CR)
<b>\$80.00</b>	<b>N/A</b>		(CR)
<b>64 Kbps*</b>			
Month to month	FCEALTC	\$125.00	\$300.00 (CR)
12-23 months	FCEALTC(F1Y)	\$115.00	N/A (CR)
24-35 months	FCEALTC(F2Y)	\$105.00	N/A (CR)
36-59 months	FCEALTC(F3Y)	\$100.00	N/A (CR)
60-84 months	FCEALTC(F5Y)	\$85.00	N/A (CR)
<b>128 Kbps</b>			
Month to month	FCEALTD	\$205.00	\$350.00 (CR)
12-23 months	FCEALTD(F1Y)	\$195.00	N/A (CR)
24-35 months	FCEALTD(F2Y)	\$185.00	N/A (CR)
36-59 months	FCEALTD(F3Y)	\$170.00	N/A (CR)
60-84 months	FCEALTD(F5Y)	\$145.00	N/A (CR)
<b>256 Kbps</b>			
Month to month	FCEALTE	\$285.00	\$375.00 (CR)
12-23 months	FCEALTE(F1Y)	\$255.00	N/A (CR)
24-35 months	FCEALTE(F2Y)	\$250.00	N/A (CR)
36-59 months	FCEALTE(F3Y)	\$240.00	N/A (CR)
60-84 months	FCEALTE(F5Y)	\$210.00	N/A (CR)
<b>384 Kbps</b>			
Month to month	FCEALTF	\$370.00	\$425.00 (CR)
12-23 months	FCEALTF(F1Y)	\$350.00	N/A (CR)
24-35 months	FCEALTF(F2Y)	\$345.00	N/A (CR)
36-59 months	FCEALTF(F3Y)	\$300.00	N/A (CR)
60-84 months	FCEALTF(F5Y)	\$255.00	N/A (CR)
<b>512 Kbps</b>			
Month to month	FCEALTG	\$450.00	\$475.00 (CR)
12-23 months	FCEALTG(F1Y)	\$435.00	N/A (CR)
24-35 months	FCEALTG(F2Y)	\$385.00	N/A (CR)
36-59 months	FCEALTG(F3Y)	\$340.00	N/A (CR)
60-84 months	FCEALTG(F5Y)	\$290.00	N/A (CR)
<b>1.544 Mbps</b>			
Month to month	FCEALTB	\$535.00	\$575.00 (CR)
12-23 months	FCEALTB(F1Y)	\$510.00	N/A (CR)
24-35 months	FCEALTB(F2Y)	\$450.00	N/A (CR)
36-59 months	FCEALTB(F3Y)	\$390.00	N/A (CR)
60-84 months	FCEALTB(F5Y)	\$340.00	N/A (CR)

\* Where conditions allow

ISSUED:  
 October 27, 1999

BY: Richard D. Lawson  
 State Executive, External Affairs  
 319 Madison  
 Jefferson City, MO 65101

EFFECTIVE:  
 November 26, 1999

CANCELLED  
 January 30, 2008  
 Missouri Public  
 Service Commission

FILED  
 Missouri Public  
 Service Commission

GENERAL EXCHANGE TARIFF

RECEIVED

SPRINT MISSOURI, INC.  
d/b/a SPRINT

Original Date: MAY 15 1998

FRAME RELAY SERVICE

VIII. RATES AND CHARGES

MO. PUBLIC SERVICE COMM

A. Frame Relay Access Line (FRAL) (includes Access Line and Port)

	S&E Code	Monthly Rate	NRC
<b>56 Kbps</b>			
Month to month	FCEALTA	\$120.00	\$275.00
12-23 months	FCEALTA(F1Y)	\$110.00	N/A
24-35 months	FCEALTA(F2Y)	\$96.00	N/A
36-59 months	FCEALTA(F3Y)	\$90.00	N/A
60-84 months	FCEALTA(F5Y)	\$75.00	N/A
<b>64 Kbps*</b>			
Month to month	FCEALTC	\$125.00	\$295.00
12-23 months	FCEALTC(F1Y)	\$115.00	N/A
24-35 months	FCEALTC(F2Y)	\$100.00	N/A
36-59 months	FCEALTC(F3Y)	\$95.00	N/A
60-84 months	FCEALTC(F5Y)	\$80.00	N/A
<b>128 Kbps</b>			
Month to month	FCEALTD	\$225.00	\$350.00
12-23 months	FCEALTD(F1Y)	\$205.00	N/A
24-35 months	FCEALTD(F2Y)	\$180.00	N/A
36-59 months	FCEALTD(F3Y)	\$160.00	N/A
60-84 months	FCEALTD(F5Y)	\$135.00	N/A
<b>256 Kbps</b>			
Month to month	FCEALTE	\$325.00	\$375.00
12-23 months	FCEALTE(F1Y)	\$295.00	N/A
24-35 months	FCEALTE(F2Y)	\$260.00	N/A
36-59 months	FCEALTE(F3Y)	\$225.00	N/A
60-84 months	FCEALTE(F5Y)	\$195.00	N/A
<b>384 Kbps</b>			
Month to month	FCEALTF	\$400.00	\$425.00
12-23 months	FCEALTF(F1Y)	\$360.00	N/A
24-35 months	FCEALTF(F2Y)	\$320.00	N/A
36-59 months	FCEALTF(F3Y)	\$280.00	N/A
60-84 months	FCEALTF(F5Y)	\$240.00	N/A
<b>512 Kbps</b>			
Month to month	FCEALTG	\$450.00	\$475.00
12-23 months	FCEALTG(F1Y)	\$405.00	N/A
24-35 months	FCEALTG(F2Y)	\$360.00	N/A
36-59 months	FCEALTG(F3Y)	\$315.00	N/A
60-84 months	FCEALTG(F5Y)	\$270.00	N/A
<b>1.544 Mbps</b>			
Month to month	FCEALTB	\$525.00	\$575.00
12-23 months	FCEALTB(F1Y)	\$475.00	N/A
24-35 months	FCEALTB(F2Y)	\$420.00	N/A
36-59 months	FCEALTB(F3Y)	\$365.00	N/A
60-84 months	FCEALTB(F5Y)	\$315.00	N/A

**CANCELLED**

NOV 26 1999  
By *LSRS #15*  
Public Service Commission  
MISSOURI

\* Where conditions allow

ISSUED:  
May 15, 1998

BY: Richard D. Lawson  
State Executive, External Affairs  
319 Madison  
Jefferson City, MO 65101

**FILED**  
EFFECTIVE:  
June 16, 1998  
JUN 16 1998

MISSOURI  
Public Service Commission

GENERAL EXCHANGE TARIFF

Embarq Missouri, Inc.  
d/b/a Embarq

Second Revised Page 15.1  
Cancels First Revised Page 15.1

FRAME RELAY SERVICE

VIII. RATES AND CHARGES (Cont'd)

A. Frame Relay Access Line (FRAL) (includes Access Line and Port) (Cont'd)

	<u>S&amp;E Code</u>	<u>Monthly Rate</u>	<u>Nonrecurring Charge</u>	
<b>*3 Mbps (2xDS1)</b>				
Month to month	FCEALTM	\$ 810.00	\$575.00	
12-23 months	FCEALTM(F1Y)	\$ 650.00	N/A	
24-35 months	FCEALTM(F2Y)	\$ 600.00	N/A	
36-59 months	FCEALTM(F3Y)	\$ 550.00	N/A	
60-84 months	FCEALTM(F5Y)	\$ 500.00	N/A	
<b>*6 Mbps (4xDS1)</b>				
Month to month	FCEALTN	\$1,385.00	\$575.00	
12-23 months	FCEALTN(F1Y)	\$1,225.00	N/A	
24-35 months	FCEALTN(F2Y)	\$1,125.00	N/A	
36-59 months	FCEALTN(F3Y)	\$1,050.00	N/A	
60-84 months	FCEALTN(F5Y)	\$1,000.00	N/A	
<b>*10.5 Mbps (7xDS1)</b>				
Month to month	FCEALTY	\$2,120.00	\$575.00	
12-23 months	FCEALTY(F1Y)	\$1,950.00	N/A	
24-35 months	FCEALTY(F2Y)	\$1,850.00	N/A	
36-59 months	FCEALTY(F3Y)	\$1,775.00	N/A	
60-84 months	FCEALTY(F5Y)	\$1,725.00	N/A	
<b>*12 Mbps (8xDS1)</b>				
Month to month	FCEALTZ	<b>\$2,500.00</b>	\$575.00	(1)
12-23 months	FCEALTZ(F1Y)	\$2,220.00	N/A	
24-35 months	FCEALTZ(F2Y)	\$2,100.00	N/A	
36-59 months	FCEALTZ(F3Y)	\$2,025.00	N/A	
60-84 months	FCEALTZ(F5Y)	\$1,975.00	N/A	

\* Where facilities are available. CPE must be compliant with Frame Relay Forum.16 (FRF.16), Multilink Frame Relay Protocol Industry Standard.

ISSUED:  
January 20, 2009

BY: Darlene N. Terry  
Manager - Tariffs  
5454 W. 110th Street  
Overland Park, Kansas 66211

EFFECTIVE:  
February 1, 2009

GENERAL EXCHANGE TARIFF

Embarq Missouri, Inc.  
d/b/a Embarq

First Revised Page 15.1  
Cancels Original Page 15.1

FRAME RELAY SERVICE

VIII. RATES AND CHARGES (Cont'd)

A. Frame Relay Access Line (FRAL) (includes Access Line and Port) (Cont'd)

	<u>S&amp;E Code</u>	<u>Monthly Rate</u>	<u>Nonrecurring Charge</u>	
<b>*3 Mbps (2xDS1)</b>				
Month to month	FCEALTM	<b>\$810.00</b>	\$575.00	(I)
12-23 months	FCEALTM(F1Y)	\$650.00	N/A	
24-35 months	FCEALTM(F2Y)	\$600.00	N/A	
36-59 months	FCEALTM(F3Y)	\$550.00	N/A	
60-84 months	FCEALTM(F5Y)	\$500.00	N/A	
<b>*6 Mbps (4xDS1)</b>				
Month to month	FCEALTN	<b>\$1,385.00</b>	\$575.00	(I)
12-23 months	FCEALTN(F1Y)	\$1,225.00	N/A	
24-35 months	FCEALTN(F2Y)	\$1,125.00	N/A	
36-59 months	FCEALTN(F3Y)	\$1,050.00	N/A	
60-84 months	FCEALTN(F5Y)	\$1,000.00	N/A	
<b>*10.5 Mbps (7xDS1)</b>				
Month to month	FCEALTY	<b>\$2,120.00</b>	\$575.00	(I)
12-23 months	FCEALTY(F1Y)	\$1,950.00	N/A	
24-35 months	FCEALTY(F2Y)	\$1,850.00	N/A	
36-59 months	FCEALTY(F3Y)	\$1,775.00	N/A	
60-84 months	FCEALTY(F5Y)	\$1,725.00	N/A	
<b>*12 Mbps (8xDS1)</b>				
Month to month	FCEALTZ	<b>\$2,370.00</b>	\$575.00	(I)
12-23 months	FCEALTZ(F1Y)	\$2,220.00	N/A	
24-35 months	FCEALTZ(F2Y)	\$2,100.00	N/A	
36-59 months	FCEALTZ(F3Y)	\$2,025.00	N/A	
60-84 months	FCEALTZ(F5Y)	\$1,975.00	N/A	

\* Where facilities are available. CPE must be compliant with Frame Relay Forum.16 (FRF.16), Multilink Frame Relay Protocol Industry Standard.

ISSUED:  
December 3, 2007

BY: Darlene N. Terry  
Manager - Tariffs  
5454 W. 110th Street  
Overland Park, Kansas 66211

EFFECTIVE:  
January 30, 2008

CANCELLED  
February 1, 2009  
Missouri Public  
Service Commission  
JI-2009-0528

FILED  
Missouri Public  
Service Commission

GENERAL EXCHANGE TARIFF

Embarq Missouri, Inc.  
d/b/a Embarq

Original Page 15.1

FRAME RELAY SERVICE

VIII. RATES AND CHARGES (Cont'd)

A. Frame Relay Access Line (FRAL) (includes Access Line and Port) (Cont'd)

	<u>S&amp;E Code</u>	<u>Monthly Rate</u>	<u>Nonrecurring Charge</u>
<b>*3 Mbps (2xDS1)</b>			
Month to month	FCEALTM	\$800.00	\$575.00
12-23 months	FCEALTM(F1Y)	\$650.00	N/A
24-35 months	FCEALTM(F2Y)	\$600.00	N/A
36-59 months	FCEALTM(F3Y)	\$550.00	N/A
60-84 months	FCEALTM(F5Y)	\$500.00	N/A
<b>*6 Mbps (4xDS1)</b>			
Month to month	FCEALTN	\$1,375.00	\$575.00
12-23 months	FCEALTN(F1Y)	\$1,225.00	N/A
24-35 months	FCEALTN(F2Y)	\$1,125.00	N/A
36-59 months	FCEALTN(F3Y)	\$1,050.00	N/A
60-84 months	FCEALTN(F5Y)	\$1,000.00	N/A
<b>*10.5 Mbps (7xDS1)</b>			
Month to month	FCEALTY	\$2,100.00	\$575.00
12-23 months	FCEALTY(F1Y)	\$1,950.00	N/A
24-35 months	FCEALTY(F2Y)	\$1,850.00	N/A
36-59 months	FCEALTY(F3Y)	\$1,775.00	N/A
60-84 months	FCEALTY(F5Y)	\$1,725.00	N/A
<b>*12 Mbps (8xDS1)</b>			
Month to month	FCEALTZ	\$2,350.00	\$575.00
12-23 months	FCEALTZ(F1Y)	\$2,220.00	N/A
24-35 months	FCEALTZ(F2Y)	\$2,100.00	N/A
36-59 months	FCEALTZ(F3Y)	\$2,025.00	N/A
60-84 months	FCEALTZ(F5Y)	\$1,975.00	N/A

\* Where facilities are available. CPE must be compliant with Frame Relay Forum.16 (FRF.16), Multilink Frame Relay Protocol Industry Standard.

ISSUED:  
March 16, 2007

BY: Darlene N. Terry  
Manager - Tariffs  
5454 W. 110th Street  
Overland Park, Kansas 66211

EFFECTIVE:  
April 15, 2007

GENERAL EXCHANGE TARIFF

Embarq Missouri, Inc.  
d/b/a Embarq

Third Revised Page 16  
Cancels Second Revised Page 16

FRAME RELAY SERVICE

VIII. RATES AND CHARGES (Cont'd)

**This page is reserved for future use.**

(T)  
(D)

(D)

ISSUED:  
January 20, 2009

BY: Darlene N. Terry  
Manager - Tariffs  
5454 W. 110th Street  
Overland Park, Kansas 66211

EFFECTIVE:  
February 1, 2009



GENERAL EXCHANGE TARIFF

**Embarq Missouri, Inc.  
d/b/a Embarq**

Second Revised Page 16 (C)  
Cancels First Revised Page 16 (C)

FRAME RELAY SERVICE

VIII. RATES AND CHARGES (Cont'd)

B. Frame Relay Port (FRAP) Only

	<u>S&amp;E Code</u>	<u>Monthly Rate</u>	<u>NRC</u>	
56 Kbps				
Month to month	FCEALA0	<b>\$90.00</b>	\$125.00	(I)
12-23 months	FCEALA0(F1Y)	\$80.00	N/A	
24-35 months	FCEALA0(F2Y)	\$70.00	N/A	
36-59 months	FCEALA0(F3Y)	\$60.00	N/A	
60-84 months	FCEALA0(F5Y)	\$55.00	N/A	
64 Kbps*				
Month to month	FCEALC0	<b>\$95.00</b>	\$150.00	(I)
12-23 months	FCEALC0(F1Y)	\$85.00	N/A	
24-35 months	FCEALC0(F2Y)	\$75.00	N/A	
36-59 months	FCEALC0(F3Y)	\$70.00	N/A	
60-84 months	FCEALC0(F5Y)	\$60.00	N/A	
128 Kbps				
Month to month	FCEALD0	<b>\$120.00</b>	\$200.00	(I)
12-23 months	FCEALD0(F1Y)	\$105.00	N/A	
24-35 months	FCEALD0(F2Y)	\$95.00	N/A	
36-59 months	FCEALD0(F3Y)	\$85.00	N/A	
60-84 months	FCEALD0(F5Y)	\$70.00	N/A	
256 Kbps				
Month to month	FCEALE0	<b>\$170.00</b>	\$250.00	(I)
12-23 months	FCEALE0(F1Y)	\$155.00	N/A	
24-35 months	FCEALE0(F2Y)	\$140.00	N/A	
36-59 months	FCEALE0(F3Y)	\$125.00	N/A	
60-84 months	FCEALE0(F5Y)	\$110.00	N/A	
384 Kbps				
Month to month	FCEALF0	<b>\$205.00</b>	\$275.00	(I)
12-23 months	FCEALF0(F1Y)	\$180.00	N/A	
24-35 months	FCEALF0(F2Y)	\$175.00	N/A	
36-59 months	FCEALF0(F3Y)	\$170.00	N/A	
60-84 months	FCEALF0(F5Y)	\$160.00	N/A	
512 Kbps				
Month to month	FCEALG0	<b>\$285.00</b>	300.00	(I)
12-23 months	FCEALG0(F1Y)	\$255.00	N/A	
24-35 months	FCEALG0(F2Y)	\$245.00	N/A	
36-59 months	FCEALG0(F3Y)	\$230.00	N/A	
60-84 months	FCEALG0(F5Y)	\$210.00	N/A	

\* Where conditions allow

ISSUED:  
December 3, 2007

BY: Darlene N. Terry  
Manager - Tariffs  
5454 W. 110th Street  
Overland Park, Kansas 66211

EFFECTIVE:  
January 30, 2008

CANCELLED  
February 1, 2009  
Missouri Public  
Service Commission  
JI-2009-0528

FILED  
Missouri Public  
Service Commission

FRAME RELAY SERVICE

VIII. RATES AND CHARGES (Cont'd)

B. Frame Relay Port (FRAP) Only

	S&E Code	Monthly Rate	NRC
<b>56 Kbps</b>			
<b>Month to month</b>	<b>FCEALAO</b>	<b>\$85.00</b>	<b>\$125.00</b>
12-23 months	FCEALAO(F1Y)		(CR)
<b>\$80.00</b>	<b>N/A</b>		(CR)
24-35 months	FCEALAO(F2Y)		(CR)
<b>\$70.00</b>	<b>N/A</b>		(CR)
36-59 months	FCEALAO(F3Y)		(CR)
<b>\$60.00</b>	<b>N/A</b>		(CR)
60-84 months	FCEALAO(F5Y)		(CR)
<b>\$55.00</b>	<b>N/A</b>		(CR)
<b>64 Kbps*</b>			
Month to month	FCEALC0	\$90.00	\$150.00 (CR)
12-23 months	FCEALC0(F1Y)	\$85.00	N/A
24-35 months	FCEALC0(F2Y)	\$75.00	N/A
36-59 months	FCEALC0(F3Y)	\$70.00	N/A (CR)
60-84 months	FCEALC0(F5Y)	\$60.00	N/A
128 Kbps			(CR)
Month to month	FCEALD0	\$115.00	\$200.00 (CR)
12-23 months	FCEALD0(F1Y)	\$105.00	N/A
24-35 months	FCEALD0(F2Y)	\$95.00	N/A (CR)
36-59 months	FCEALD0(F3Y)	\$85.00	N/A (CR)
60-84 months	FCEALD0(F5Y)	\$70.00	N/A
256 Kbps			(CR)
Month to month	FCEALE0	\$165.00	\$250.00 (CR)
12-23 months	FCEALE0(F1Y)	\$155.00	N/A
24-35 months	FCEALE0(F2Y)	\$140.00	N/A (CR)
36-59 months	FCEALE0(F3Y)	\$125.00	N/A
60-84 months	FCEALE0(F5Y)	\$110.00	N/A
384 Kbps			(CR)
Month to month	FCEALF0	\$195.00	\$275.00 (CR)
12-23 months	FCEALF0(F1Y)	\$180.00	N/A
24-35 months	FCEALF0(F2Y)	\$175.00	N/A (CR)
36-59 months	FCEALF0(F3Y)	\$170.00	N/A
60-84 months	FCEALF0(F5Y)	\$160.00	N/A
512 Kbps			(CR)
Month to month	FCEALG0	\$275.00	300.00 (CR)
12-23 months	FCEALG0(F1Y)	\$255.00	N/A
24-35 months	FCEALG0(F2Y)	\$245.00	N/A
36-59 months	FCEALG0(F3Y)	\$230.00	N/A
60-84 months	FCEALG0(F5Y)	\$210.00	N/A

\* Where conditions allow

ISSUED:  
 October 27, 1999

BY: Richard D. Lawson  
 State Executive, External Affairs  
 319 Madison  
 Jefferson City, MO 65101

EFFECTIVE:  
 November 26, 1999

CANCELLED  
 January 30, 2008  
 Missouri Public  
 Service Commission

FILED  
 Missouri Public  
 Service Commission

GENERAL EXCHANGE TARIFF

SPRINT MISSOURI, INC.  
d/b/a SPRINT

**RECEIVED**  
Original Page 16  
**MAY 15 1998**

FRAME RELAY SERVICE

MO. PUBLIC SERVICE COMM

VIII. RATES AND CHARGES (Cont'd)

B. Frame Relay Port (FRAP) Only

	S&E Code	Monthly Rate	NRC
56 Kbps			
Month to month	FCEALAO	\$85.00	\$125.00
12-23 months	FCEALAO(F1Y)	\$77.00	N/A
24-35 months	FCEALAO(F2Y)	\$68.00	N/A
36-59 months	FCEALAO(F3Y)	\$60.00	N/A
60-84 months	FCEALAO(F5Y)	\$51.00	N/A
64 Kbps*			
Month to month	FCEALCO	\$90.00	\$150.00
12-23 months	FCEALCO(F1Y)	\$82.00	N/A
24-35 months	FCEALCO(F2Y)	\$72.00	N/A
36-59 months	FCEALCO(F3Y)	\$65.00	N/A
60-84 months	FCEALCO(F5Y)	\$56.00	N/A
128 Kbps			
Month to month	FCEALDO	\$115.00	\$200.00
12-23 months	FCEALDO(F1Y)	\$104.00	N/A
24-35 months	FCEALDO(F2Y)	\$92.00	N/A
36-59 months	FCEALDO(F3Y)	\$81.00	N/A
60-84 months	FCEALDO(F5Y)	\$69.00	N/A
256 Kbps			
Month to month	FCEALEO	\$175.00	\$250.00
12-23 months	FCEALEO(F1Y)	\$158.00	N/A
24-35 months	FCEALEO(F2Y)	\$140.00	N/A
36-59 months	FCEALEO(F3Y)	\$123.00	N/A
60-84 months	FCEALEO(F5Y)	\$105.00	N/A
384 Kbps			
Month to month	FCEALFO	\$250.00	\$275.00
12-23 months	FCEALFO(F1Y)	\$225.00	N/A
24-35 months	FCEALFO(F2Y)	\$200.00	N/A
36-59 months	FCEALFO(F3Y)	\$175.00	N/A
60-84 months	FCEALFO(F5Y)	\$150.00	N/A
512 Kbps			
Month to month	FCEALGO	\$325.00	300.00
12-23 months	FCEALGO(F1Y)	\$293.00	N/A
24-35 months	FCEALGO(F2Y)	\$260.00	N/A
36-59 months	FCEALGO(F3Y)	\$228.00	N/A
60-84 months	FCEALGO(F5Y)	\$195.00	N/A

**CANCELLED**

**FILED**

\* Where conditions allow

NOV 26 1999

JUN 16 1998

By *RS#16*  
Public Service Commission  
MISSOURI

MISSOURI  
Public Service Commission  
EFFECTIVE:

ISSUED:  
May 15, 1998

BY: Richard D. Lawson  
State Executive, External Affairs  
319 Madison  
Jefferson City, MO 65101

June 16, 1998

GENERAL EXCHANGE TARIFF

Embarq Missouri, Inc.  
d/b/a Embarq

Fifth Revised Page 17  
Cancels Fourth Revised Page 17

FRAME RELAY SERVICE

VIII. RATES AND CHARGES (Cont'd)

B. Frame Relay Port (FRAP) Only

	<u>S&amp;E Code</u>	<u>Monthly Rate</u>	<u>NRC</u>
1.544 Mbps			
Month to month	FCEALB0	\$ 360.00	\$375.00
12-23 months	FCEALB0(F1Y)	\$ 320.00	N/A
24-35 months	FCEALB0(F2Y)	\$ 310.00	N/A
36-59 months	FCEALB0(F3Y)	\$ 300.00	N/A
60-84 months	FCEALB0(F5Y)	\$ 270.00	N/A
44.210 Mbps			
Month to month	FCEALH0	\$1,400.00	\$495.00
12-23 months	FCEALH0(F1Y)	\$1,245.00	N/A
24-35 months	FCEALH0(F2Y)	\$1,195.00	N/A
36-59 months	FCEALH0(F3Y)	\$1,095.00	N/A
60-84 months	FCEALH0(F5Y)	\$ 995.00	N/A

C. Permanent Virtual Circuit (PVC) – IntraLATA

<u>CIR, per PVC</u>	<u>S&amp;E Code</u>	<u>Monthly Rate</u>	<u>NRC</u>	(C)
Over 0 thru 8 Kbps				
Frame for LAN	FCEALVL(AP3)	\$3.00	\$10.00	
Frame for SNA	FCEALVL(AP2)	\$3.00	\$15.00	
Frame for Voice	FCEALVL(AP1)	\$3.00	\$20.00	
Over 8 thru 16 Kbps				
Frame for LAN	FCEALVL(BP3)	\$4.00	\$10.00	
Frame for SNA	FCEALVL(BP2)	\$4.00	\$15.00	
Frame for Voice	FCEALVL(BP1)	\$4.00	\$20.00	
Over 16 thru 24 Kbps				
Frame for LAN	FCEALVL(CP3)	\$5.00	\$10.00	
Frame for SNA	FCEALVL(CP2)	\$5.00	\$15.00	
Frame for Voice	FCEALVL(CP1)	\$5.00	\$20.00	
Over 24 thru 32 Kbps				
Frame for LAN	FCEALVL(DP3)	\$5.77	\$10.00	
Frame for SNA	FCEALVL(DP2)	\$6.00	\$15.00	
Frame for Voice	FCEALVL(DP1)	\$6.00	\$20.00	
Over 32 thru 40 Kbps				
Frame for LAN	FCEALVL(EP3)	\$8.00	\$10.00	
Frame for SNA	FCEALVL(EP2)	\$8.00	\$15.00	
Frame for Voice	FCEALVL(EP1)	\$8.00	\$20.00	

(D)  
(D)

ISSUED:  
March 6, 2009

BY: Darlene N. Terry  
Manager - Tariffs  
5454 W. 110th Street  
Overland Park, Kansas 66211

EFFECTIVE:  
April 5, 2009

## GENERAL EXCHANGE TARIFF

Embarq Missouri, Inc.  
d/b/a EmbarqFourth Revised Page 17  
Cancels Third Revised Page 17

## FRAME RELAY SERVICE

## VIII. RATES AND CHARGES (Cont'd)

B. Frame Relay Port (FRAP) **Only** (T)

	<u>S&amp;E Code</u>	<u>Monthly Rate</u>	<u>NRC</u>	
1.544 Mbps				
Month to month	FCEALB0	<b>\$ 360.00</b>	\$375.00	(I)
12-23 months	FCEALB0(F1Y)	\$ 320.00	N/A	
24-35 months	FCEALB0(F2Y)	\$ 310.00	N/A	
36-59 months	FCEALB0(F3Y)	\$ 300.00	N/A	
60-84 months	FCEALB0(F5Y)	\$ 270.00	N/A	
44.210 Mbps				
Month to month	FCEALH0	<b>\$1,400.00</b>	\$495.00	(I)
12-23 months	FCEALH0(F1Y)	\$1,245.00	N/A	
24-35 months	FCEALH0(F2Y)	\$1,195.00	N/A	
36-59 months	FCEALH0(F3Y)	\$1,095.00	N/A	
60-84 months	FCEALH0(F5Y)	\$ 995.00	N/A	

## C. Permanent Virtual Circuit (PVC) – IntraLATA

<u>CIR, per PVC</u>	<u>S&amp;E Code</u>	<u>Monthly Rate</u>	<u>NRC</u> <sup>(1)</sup>	
Over 0 thru 8 Kbps				
Frame for LAN	FCEALVL(AP3)	<b>\$3.00</b>	\$10.00	(I)
Frame for SNA	FCEALVL(AP2)	<b>\$3.00</b>	\$15.00	(I)
Frame for Voice	FCEALVL(AP1)	<b>\$3.00</b>	\$20.00	(R)
Over 8 thru 16 Kbps				
Frame for LAN	FCEALVL(BP3)	<b>\$4.00</b>	\$10.00	(I)
Frame for SNA	FCEALVL(BP2)	<b>\$4.00</b>	\$15.00	(I)
Frame for Voice	FCEALVL(BP1)	<b>\$4.00</b>	\$20.00	(R)
Over 16 thru 24 Kbps				
Frame for LAN	FCEALVL(CP3)	<b>\$5.00</b>	\$10.00	(I)
Frame for SNA	FCEALVL(CP2)	<b>\$5.00</b>	\$15.00	(I)
Frame for Voice	FCEALVL(CP1)	<b>\$5.00</b>	\$20.00	(R)
Over 24 thru 32 Kbps				
Frame for LAN	FCEALVL(DP3)	<b>\$5.77</b>	\$10.00	(I)
Frame for SNA	FCEALVL(DP2)	<b>\$6.00</b>	\$15.00	(I)
Frame for Voice	FCEALVL(DP1)	<b>\$6.00</b>	\$20.00	(R)
Over 32 thru 40 Kbps				
Frame for LAN	FCEALVL(EP3)	<b>\$8.00</b>	\$10.00	(I)
Frame for SNA	FCEALVL(EP2)	<b>\$8.00</b>	\$15.00	(I)
Frame for Voice	FCEALVL(EP1)	<b>\$8.00</b>	\$20.00	(R)

<sup>(1)</sup> When the customer also subscribes to the Company's non-regulated Dedicated IP Service, the PVC nonrecurring charge will not apply.

ISSUED:  
January 20, 2009BY: Darlene N. Terry  
Manager - Tariffs  
5454 W. 110th Street  
Overland Park, Kansas 66211EFFECTIVE:  
February 1, 2009

GENERAL EXCHANGE TARIFF

Embarq Missouri, Inc.  
d/b/a Embarq

Third Revised Page 17  
Cancels Second Revised Page 17

FRAME RELAY SERVICE

VIII. RATES AND CHARGES (Cont'd)

B. Frame Relay Port (FRAP) Only (Cont'd)

	<u>S&amp;E Code</u>	<u>Monthly Rate</u>	<u>NRC</u>	
1.544 Mbps				
Month to month	FCEALB0	<b>\$345.00</b>	\$375.00	(I)
12-23 months	FCEALB0(F1Y)	\$320.00	N/A	
24-35 months	FCEALB0(F2Y)	\$310.00	N/A	
36-59 months	FCEALB0(F3Y)	\$300.00	N/A	
60-84 months	FCEALB0(F5Y)	\$270.00	N/A	
44.210 Mbps				
Month to month	FCEALH0	<b>\$1,295.00</b>	\$495.00	(I)
12-23 months	FCEALH0(F1Y)	\$1,245.00	N/A	
24-35 months	FCEALH0(F2Y)	\$1,195.00	N/A	
36-59 months	FCEALH0(F3Y)	\$1,095.00	N/A	
60-84 months	FCEALH0(F5Y)	\$995.00	N/A	

C. Permanent Virtual Circuit (PVC) – IntraLATA

<u>CIR, per PVC</u>	<u>S&amp;E Code</u>	<u>Monthly Rate</u>	<u>NRC</u> <sup>(1)</sup>	
Over 0 thru 8 Kbps				
Frame for LAN	FCEALVL(AP3)	<b>\$2.10</b>	\$10.00	(I)
Frame for SNA	FCEALVL(AP2)	<b>\$2.10</b>	\$15.00	(R)
Frame for Voice	FCEALVL(AP1)	\$4.00	\$20.00	
Over 8 thru 16 Kbps				
Frame for LAN	FCEALVL(BP3)	<b>\$3.15</b>	\$10.00	(I)
Frame for SNA	FCEALVL(BP2)	<b>\$3.15</b>	\$15.00	(R)
Frame for Voice	FCEALVL(BP1)	\$5.00	\$20.00	
Over 16 thru 24 Kbps				
Frame for LAN	FCEALVL(CP3)	<b>\$4.20</b>	\$10.00	(I)
Frame for SNA	FCEALVL(CP2)	<b>\$4.20</b>	\$15.00	(R)
Frame for Voice	FCEALVL(CP1)	\$6.00	\$20.00	
Over 24 thru 32 Kbps				
Frame for LAN	FCEALVL(DP3)	<b>\$5.25</b>	\$10.00	(I)
Frame for SNA	FCEALVL(DP2)	<b>\$5.25</b>	\$15.00	(R)
Frame for Voice	FCEALVL(DP1)	\$7.00	\$20.00	
Over 32 thru 40 Kbps				
Frame for LAN	FCEALVL(EP3)	<b>\$7.35</b>	\$10.00	(I)
Frame for SNA	FCEALVL(EP2)	<b>\$7.35</b>	\$15.00	(R)
Frame for Voice	FCEALVL(EP1)	\$9.00	\$20.00	

<sup>(1)</sup> When the customer also subscribes to the Company's non-regulated Dedicated IP Service, the PVC nonrecurring charge will not apply.

ISSUED:  
December 3, 2007

BY: Darlene N. Terry  
Manager - Tariffs  
5454 W. 110th Street  
Overland Park, Kansas 66211

EFFECTIVE:  
January 30, 2008

**CANCELLED**  
February 1, 2009  
Missouri Public  
Service Commission  
JI-2009-0528

**FILED**  
Missouri Public  
Service Commission

GENERAL EXCHANGE TARIFF

**Embarq Missouri, Inc.**  
d/b/a **Embarq**

Second Revised Page 17 (C)  
Cancels First Revised Page 17 (C)

FRAME RELAY SERVICE

VIII. RATES AND CHARGES (Cont'd)

B. Frame Relay Port (FRAP) Only (Cont'd)

	<u>S&amp;E Code</u>	<u>Monthly Rate</u>	<u>NRC</u>
1.544 Mbps			
Month to month	FCEALB0	\$335.00	\$375.00
12-23 months	FCEALB0(F1Y)	\$320.00	N/A
24-35 months	FCEALB0(F2Y)	\$310.00	N/A
36-59 months	FCEALB0(F3Y)	\$300.00	N/A
60-84 months	FCEALB0(F5Y)	\$270.00	N/A
44.210 Mbps			
Month to month	FCEALH0	\$1,275.00	\$495.00
12-23 months	FCEALH0(F1Y)	\$1,245.00	N/A
24-35 months	FCEALH0(F2Y)	\$1,195.00	N/A
36-59 months	FCEALH0(F3Y)	\$1,095.00	N/A
60-84 months	FCEALH0(F5Y)	\$995.00	N/A

C. Permanent Virtual Circuit (PVC) – IntraLATA

<u>CIR, per PVC</u>	<u>S&amp;E Code</u>	<u>Monthly Rate</u>	<u>NRC <sup>(1)</sup></u>	(C)
Over 0 thru 8 Kbps				
Frame for LAN	FCEALVL(AP3)	\$2.00	\$10.00	
Frame for SNA	FCEALVL(AP2)	\$3.00	\$15.00	
Frame for Voice	FCEALVL(AP1)	\$4.00	\$20.00	
Over 8 thru 16 Kbps				
Frame for LAN	FCEALVL(BP3)	\$3.00	\$10.00	
Frame for SNA	FCEALVL(BP2)	\$4.00	\$15.00	
Frame for Voice	FCEALVL(BP1)	\$5.00	\$20.00	
Over 16 thru 24 Kbps				
Frame for LAN	FCEALVL(CP3)	\$4.00	\$10.00	
Frame for SNA	FCEALVL(CP2)	\$5.00	\$15.00	
Frame for Voice	FCEALVL(CP1)	\$6.00	\$20.00	
Over 24 thru 32 Kbps				
Frame for LAN	FCEALVL(DP3)	\$5.00	\$10.00	
Frame for SNA	FCEALVL(DP2)	\$6.00	\$15.00	
Frame for Voice	FCEALVL(DP1)	\$7.00	\$20.00	
Over 32 thru 40 Kbps				
Frame for LAN	FCEALVL(EP3)	\$7.00	\$10.00	
Frame for SNA	FCEALVL(EP2)	\$8.00	\$15.00	
Frame for Voice	FCEALVL(EP1)	\$9.00	\$20.00	

<sup>(1)</sup> **When the customer also subscribes to the Company's non-regulated Dedicated IP Service, the PVC nonrecurring charge will not apply.** (N)  
(N)

ISSUED:  
March 16, 2007

BY: Darlene N. Terry  
Manager - Tariffs  
5454 W. 110th Street  
Overland Park, Kansas 66211

EFFECTIVE:  
April 15, 2007

SPRINT MISSOURI, INC.  
 d/b/a SPRINT

First Revised Page 17  
 Cancels Original Page 17

FRAME RELAY SERVICE

VIII. RATES AND CHARGES (Cont'd)

B. Frame Relay Port (FRAP) Only (Cont'd)

	S&E Code	Monthly Rate	NRC
1.544 Mbps			
Month to month	FCEALB0	\$335.00	\$375.00 (CR)
12-23 months	FCEALB0 (F1Y)	\$320.00	N/A
24-35 months	FCEALB0 (F2Y)	\$310.00	N/A
36-59 months	FCEALB0 (F3Y)	\$300.00	N/A
60-84 months	FCEALB0 (F5Y)	\$270.00	N/A (CR)
44.210 Mbps			
Month to month	FCEALH0	\$1,275.00	\$ 495.00 (CR)
12-23 months	FCEALH0 (F1Y)	\$1,245.00	N/A
24-35 months	FCEALH0 (F2Y)	\$1,195.00	N/A
36-59 months	FCEALH0 (F3Y)	\$1,095.00	N/A
60-84 months	FCEALH0 (F5Y)	\$995.00	N/A (CR)

C. Permanent Virtual Circuit (PVC) - IntraLATA

CIR, per PVC	S&E Code	Monthly Rate	NRC
Over 0 thru 8 Kbps			
Frame for LAN	FCEALVL(AP3)	\$2.00	\$10.00
Frame for SNA	FCEALVL(AP2)	\$3.00	\$15.00
Frame for Voice	FCEALVL(AP1)	\$4.00	\$20.00
Over 8 thru 16 Kbps			
Frame for LAN	FCEALVL(BP3)	\$3.00	\$10.00
Frame for SNA	FCEALVL(BP2)	\$4.00	\$15.00
Frame for Voice	FCEALVL(BP1)	\$5.00	\$20.00
Over 16 thru 24 Kbps			
Frame for LAN	FCEALVL(CP3)	\$4.00	\$10.00
Frame for SNA	FCEALVL(CP2)	\$5.00	\$15.00
Frame for Voice	FCEALVL(CP1)	\$6.00	\$20.00
Over 24 thru 32 Kbps			
Frame for LAN	FCEALVL(DP3)	\$5.00	\$10.00
Frame for SNA	FCEALVL(DP2)	\$6.00	\$15.00
Frame for Voice	FCEALVL(DP1)	\$7.00	\$20.00
Over 32 thru 40 Kbps			
Frame for LAN	FCEALVL(EP3)	\$7.00	\$10.00
Frame for SNA	FCEALVL(EP2)	\$8.00	\$15.00
Frame for Voice	FCEALVL(EP1)	\$9.00	\$20.00

ISSUED:  
 October 27, 1999

BY: Richard D. Lawson  
 State Executive, External Affairs  
 319 Madison  
 Jefferson City, MO 65101

EFFECTIVE:  
 November 26, 1999



GENERAL EXCHANGE TARIFF

SPRINT MISSOURI, INC.  
d/b/a SPRINT

**RECEIVED**  
Original Page 17

**MAY 15 1998**

FRAME RELAY SERVICE

MO. PUBLIC SERVICE COMM

VIII. RATES AND CHARGES (Cont'd)

B. Frame Relay Port (FRAP) Only (Cont'd)

	S&E Code	Monthly Rate	NRC
1.544 Mbps			
Month to month	FCEALB0	\$420.00	\$375.00
12-23 months	FCEALB0(F1Y)	\$378.00	N/A
24-35 months	FCEALB0(F2Y)	\$336.00	N/A
36-59 months	FCEALB0(F3Y)	\$294.00	N/A
60-84 months	FCEALB0(F5Y)	\$252.00	N/A
44.210 Mbps			
Month to month	FCEALH0	\$1,195.00	\$ 495.00
12-23 months	FCEALH0(F1Y)	\$1,175.00	N/A
24-35 months	FCEALH0(F2Y)	\$1,150.00	N/A
36-59 months	FCEALH0(F3Y)	\$1,125.00	N/A
60-84 months	FCEALH0(F5Y)	\$1,075.00	N/A

C. Permanent Virtual Circuit (PVC) - IntraLATA

CIR, per PVC	S&E Code	Monthly Rate	NRC
Over 0 thru 8 Kbps			
Frame for LAN	FCEALVL(AP3)	\$2.00	\$10.00
Frame for SNA	FCEALVL(AP2)	\$3.00	\$15.00
Frame for Voice	FCEALVL(API)	\$4.00	\$20.00
Over 8 thru 16 Kbps			
Frame for LAN	FCEALVL(BP3)	\$3.00	\$10.00
Frame for SNA	FCEALVL(BP2)	\$4.00	\$15.00
Frame for Voice	FCEALVL(BP1)	\$5.00	\$20.00
Over 16 thru 24 Kbps			
Frame for LAN	FCEALVL(CP3)	\$4.00	\$10.00
Frame for SNA	FCEALVL(CP2)	\$5.00	\$15.00
Frame for Voice	FCEALVL(CP1)	\$6.00	\$20.00
Over 24 thru 32 Kbps			
Frame for LAN	FCEALVL(DP3)	\$5.00	\$10.00
Frame for SNA	FCEALVL(DP2)	\$6.00	\$15.00
Frame for Voice	FCEALVL(DP1)	\$7.00	\$20.00
Over 32 thru 40 Kbps			
Frame for LAN	FCEALVL(EP3)	\$7.00	\$10.00
Frame for SNA	FCEALVL(EP2)	\$8.00	\$15.00
Frame for Voice	FCEALVL(EP1)	\$9.00	\$20.00

**CANCELLED**

NOV 26 1999  
By *SR#17*  
Public Service Commission  
MISSOURI

ISSUED:  
May 15, 1998

BY: Richard D. Lawson  
State Executive, External Affairs  
319 Madison  
Jefferson City, MO 65101

**FILED**  
EFFECTIVE:  
June 16, 1998  
**JUN 18 1998**

MISSOURI  
Public Service Commission

GENERAL EXCHANGE TARIFF

Embarq Missouri, Inc.  
d/b/a Embarq

Fifth Revised Page 18  
Cancels Fourth Revised Page 18

FRAME RELAY SERVICE

VIII. RATES AND CHARGES (Cont'd)

C. Permanent Virtual Circuit (PVC) - IntraLATA (Cont'd)

CIR, per PVC	S&E Code	Monthly Rate	<u>NRC</u>	(C)
Over 40 thru 48 Kbps				
Frame for LAN	FCEALVL(FP3)	\$ 10.00	\$10.00	
Frame for SNA	FCEALVL(FP2)	\$ 10.00	\$15.00	
Frame for Voice	FCEALVL(FP1)	\$ 10.00	\$20.00	
Over 48 thru 56 Kbps				
Frame for LAN	FCEALVL(GP3)	\$ 12.00	\$10.00	
Frame for SNA	FCEALVL(GP2)	\$ 12.00	\$15.00	
Frame for Voice	FCEALVL(GP1)	\$ 12.00	\$20.00	
Over 56 thru 64 Kbps				
Frame for LAN	FCEALVL(HP3)	\$ 15.00	\$10.00	
Frame for SNA	FCEALVL(HP2)	\$ 15.00	\$15.00	
Frame for Voice	FCEALVL(HP1)	\$ 15.00	\$20.00	
Over 64 thru 128 Kbps				
Frame for LAN	FCEALVL(IP3)	\$ 20.00	\$10.00	
Frame for SNA	FCEALVL(IP2)	\$ 20.00	\$15.00	
Frame for Voice	FCEALVL(IP1)	\$ 24.00	\$20.00	
Over 128 thru 256 Kbps				
Frame for LAN	FCEALVL(JP3)	\$ 27.00	\$10.00	
Frame for SNA	FCEALVL(JP2)	\$ 27.00	\$15.00	
Frame for Voice	FCEALVL(JP1)	\$ 32.00	\$20.00	
Over 256 thru 384 Kbps				
Frame for LAN	FCEALVL(KP3)	\$ 31.50	\$10.00	
Frame for SNA	FCEALVL(KP2)	\$ 31.00	\$15.00	
Frame for Voice	FCEALVL(KP1)	\$ 37.00	\$20.00	
Over 384 thru 512 Kbps				
Frame for LAN	FCEALVL(LP3)	\$ 36.00	\$10.00	
Frame for SNA	FCEALVL(LP2)	\$ 36.00	\$15.00	
Frame for Voice	FCEALVL(LP1)	\$ 36.00	\$20.00	
Over 512 thru 768 Kbps				
Frame for LAN	FCEALVL(MP3)	\$ 40.00	\$10.00	
Frame for SNA	FCEALVL(MP2)	\$ 40.00	\$15.00	
Frame for Voice	FCEALVL(MP1)	\$ 40.00	\$20.00	
Over 768 thru 1.536 Mbps				
Frame for LAN	FCEALVL(NP3)	\$ 61.95	\$10.00	
Frame for SNA	FCEALVL(NP2)	\$ 61.00	\$15.00	
Frame for Voice	FCEALVL(NP1)	\$ 61.00	\$20.00	
Over 1.536 thru 4 Mbps				
Frame for LAN	FCEALVL(OP3)	\$132.00	\$10.00	
Frame for SNA	FCEALVL(OP2)	\$132.00	\$15.00	
Frame for Voice	FCEALVL(OP1)	\$132.00	\$20.00	

(D)  
(D)

ISSUED:  
March 6, 2009

BY: Darlene N. Terry  
Manager - Tariffs  
5454 W. 110th Street  
Overland Park, Kansas 66211

EFFECTIVE:  
April 5, 2009

## GENERAL EXCHANGE TARIFF

Embarq Missouri, Inc.  
d/b/a EmbarqFourth Revised Page 18  
Cancels Third Revised Page 18

## FRAME RELAY SERVICE

## VIII. RATES AND CHARGES (Cont'd)

## C. Permanent Virtual Circuit (PVC) - IntraLATA (Cont'd)

CIR, per PVC	S&E Code	Monthly Rate	NRC <sup>(1)</sup>
Over 40 thru 48 Kbps			
Frame for LAN	FCEALVL(FP3)	<b>\$ 10.00</b>	\$10.00 (I)
Frame for SNA	FCEALVL(FP2)	<b>\$ 10.00</b>	\$15.00 (I)
Frame for Voice	FCEALVL(FP1)	<b>\$ 10.00</b>	\$20.00 (R)
Over 48 thru 56 Kbps			
Frame for LAN	FCEALVL(GP3)	<b>\$ 12.00</b>	\$10.00 (I)
Frame for SNA	FCEALVL(GP2)	<b>\$ 12.00</b>	\$15.00 (I)
Frame for Voice	FCEALVL(GP1)	<b>\$ 12.00</b>	\$20.00 (R)
Over 56 thru 64 Kbps			
Frame for LAN	FCEALVL(HP3)	<b>\$ 15.00</b>	\$10.00 (I)
Frame for SNA	FCEALVL(HP2)	<b>\$ 15.00</b>	\$15.00 (I)
Frame for Voice	FCEALVL(HP1)	<b>\$ 15.00</b>	\$20.00 (R)
Over 64 thru 128 Kbps			
Frame for LAN	FCEALVL(IP3)	<b>\$ 20.00</b>	\$10.00 (I)
Frame for SNA	FCEALVL(IP2)	<b>\$ 20.00</b>	\$15.00 (I)
Frame for Voice	FCEALVL(IP1)	\$ 24.00	\$20.00
Over 128 thru 256 Kbps			
Frame for LAN	FCEALVL(JP3)	<b>\$ 27.00</b>	\$10.00 (I)
Frame for SNA	FCEALVL(JP2)	<b>\$ 27.00</b>	\$15.00 (I)
Frame for Voice	FCEALVL(JP1)	\$ 32.00	\$20.00
Over 256 thru 384 Kbps			
Frame for LAN	FCEALVL(KP3)	\$ 31.50	\$10.00
Frame for SNA	FCEALVL(KP2)	<b>\$ 31.00</b>	\$15.00 (R)
Frame for Voice	FCEALVL(KP1)	\$ 37.00	\$20.00
Over 384 thru 512 Kbps			
Frame for LAN	FCEALVL(LP3)	\$ 36.00	\$10.00
Frame for SNA	FCEALVL(LP2)	\$ 36.00	\$15.00
Frame for Voice	FCEALVL(LP1)	<b>\$ 36.00</b>	\$20.00 (R)
Over 512 thru 768 Kbps			
Frame for LAN	FCEALVL(MP3)	<b>\$ 40.00</b>	\$10.00 (I)
Frame for SNA	FCEALVL(MP2)	<b>\$ 40.00</b>	\$15.00 (I)
Frame for Voice	FCEALVL(MP1)	<b>\$ 40.00</b>	\$20.00 (R)
Over 768 thru 1.536 Mbps			
Frame for LAN	FCEALVL(NP3)	\$ 61.95	\$10.00
Frame for SNA	FCEALVL(NP2)	<b>\$ 61.00</b>	\$15.00 (R)
Frame for Voice	FCEALVL(NP1)	<b>\$ 61.00</b>	\$20.00 (R)
Over 1.536 thru 4 Mbps			
Frame for LAN	FCEALVL(OP3)	<b>\$132.00</b>	\$10.00 (I)
Frame for SNA	FCEALVL(OP2)	<b>\$132.00</b>	\$15.00 (I)
Frame for Voice	FCEALVL(OP1)	<b>\$132.00</b>	\$20.00 (R)

<sup>(1)</sup> When the customer also subscribes to the Company's non-regulated Dedicated IP Service, the PVC nonrecurring charge will not apply.

ISSUED:  
January 20, 2009BY: Darlene N. Terry  
Manager - Tariffs  
5454 W. 110th Street  
Overland Park, Kansas 66211EFFECTIVE:  
February 1, 2009CANCELLED  
April 5, 2009  
Missouri Public  
Service Commission  
JI-2009-0634FILED  
Missouri Public  
Service Commission  
JI-2009-0528

## GENERAL EXCHANGE TARIFF

Embarq Missouri, Inc.  
d/b/a EmbarqThird Revised Page 18  
Cancels Second Revised Page 18

## FRAME RELAY SERVICE

## VIII. RATES AND CHARGES (Cont'd)

## C. Permanent Virtual Circuit (PVC) - IntraLATA (Cont'd)

CIR, per PVC	S&E Code	Monthly Rate	NRC <sup>(1)</sup>	
Over 40 thru 48 Kbps				
Frame for LAN	FCEALVL(FP3)	<b>\$9.45</b>	\$10.00	(I)
Frame for SNA	FCEALVL(FP2)	<b>\$9.45</b>	\$15.00	(R)
Frame for Voice	FCEALVL(FP1)	\$12.00	\$20.00	
Over 48 thru 56 Kbps				
Frame for LAN	FCEALVL(GP3)	<b>\$11.55</b>	\$10.00	(I)
Frame for SNA	FCEALVL(GP2)	<b>\$11.55</b>	\$15.00	(R)
Frame for Voice	FCEALVL(GP1)	\$15.00	\$20.00	
Over 56 thru 64 Kbps				
Frame for LAN	FCEALVL(HP3)	<b>\$14.70</b>	\$10.00	(I)
Frame for SNA	FCEALVL(HP2)	<b>\$14.70</b>	\$15.00	(R)
Frame for Voice	FCEALVL(HP1)	\$18.00	\$20.00	
Over 64 thru 128 Kbps				
Frame for LAN	FCEALVL(IP3)	<b>\$19.95</b>	\$10.00	(I)
Frame for SNA	FCEALVL(IP2)	<b>\$19.95</b>	\$15.00	(R)
Frame for Voice	FCEALVL(IP1)	\$24.00	\$20.00	
Over 128 thru 256 Kbps				
Frame for LAN	FCEALVL(JP3)	<b>\$26.25</b>	\$10.00	(I)
Frame for SNA	FCEALVL(JP2)	<b>\$26.25</b>	\$15.00	(R)
Frame for Voice	FCEALVL(JP1)	\$32.00	\$20.00	
Over 256 thru 384 Kbps				
Frame for LAN	FCEALVL(KP3)	<b>\$31.50</b>	\$10.00	(I)
Frame for SNA	FCEALVL(KP2)	<b>\$31.50</b>	\$15.00	(R)
Frame for Voice	FCEALVL(KP1)	\$37.00	\$20.00	
Over 384 thru 512 Kbps				
Frame for LAN	FCEALVL(LP3)	<b>\$36.00</b>	\$10.00	(I)
Frame for SNA	FCEALVL(LP2)	<b>\$36.00</b>	\$15.00	(R)
Frame for Voice	FCEALVL(LP1)	\$43.00	\$20.00	
Over 512 thru 768 Kbps				
Frame for LAN	FCEALVL(MP3)	<b>\$39.90</b>	\$10.00	(I)
Frame for SNA	FCEALVL(MP2)	<b>\$39.90</b>	\$15.00	(R)
Frame for Voice	FCEALVL(MP1)	\$48.00	\$20.00	
Over 768 thru 1.536 Mbps				
Frame for LAN	FCEALVL(NP3)	<b>\$61.95</b>	\$10.00	(I)
Frame for SNA	FCEALVL(NP2)	<b>\$61.95</b>	\$15.00	(R)
Frame for Voice	FCEALVL(NP1)	\$74.00	\$20.00	
Over 1.536 thru 4 Mbps				
Frame for LAN	FCEALVL(OP3)	\$120.00	\$10.00	
Frame for SNA	FCEALVL(OP2)	<b>\$120.00</b>	\$15.00	(R)
Frame for Voice	FCEALVL(OP1)	\$150.00	\$20.00	

<sup>(1)</sup> When the customer also subscribes to the Company's non-regulated Dedicated IP Service, the PVC nonrecurring charge will not apply.

ISSUED:  
December 3, 2007BY: Darlene N. Terry  
Manager - Tariffs  
5454 W. 110th Street  
Overland Park, Kansas 66211EFFECTIVE:  
January 30, 2008

**CANCELLED**  
February 1, 2009  
Missouri Public  
Service Commission  
JI-2009-0528

**FILED**  
Missouri Public  
Service Commission

GENERAL EXCHANGE TARIFF

**Embarq Missouri, Inc.**  
d/b/a **Embarq**

Second Revised Page 18 (C)  
Cancels First Revised Page 18 (C)

FRAME RELAY SERVICE

VIII. RATES AND CHARGES (Cont'd)

C. Permanent Virtual Circuit (PVC) - IntraLATA (Cont'd)

CIR, per PVC	<u>S&amp;E Code</u>	<u>Monthly Rate</u>	<u>NRC</u> <sup>(1)</sup>	(C)
Over 40 thru 48 Kbps				
Frame for LAN	FCEALVL(FP3)	\$9.00	\$10.00	
Frame for SNA	FCEALVL(FP2)	\$10.00	\$15.00	
Frame for Voice	FCEALVL(FP1)	\$12.00	\$20.00	
Over 48 thru 56 Kbps				
Frame for LAN	FCEALVL(GP3)	\$11.00	\$10.00	
Frame for SNA	FCEALVL(GP2)	\$12.00	\$15.00	
Frame for Voice	FCEALVL(GP1)	\$15.00	\$20.00	
Over 56 thru 64 Kbps				
Frame for LAN	FCEALVL(HP3)	\$14.00	\$10.00	
Frame for SNA	FCEALVL(HP2)	\$16.00	\$15.00	
Frame for Voice	FCEALVL(HP1)	\$18.00	\$20.00	
Over 64 thru 128 Kbps				
Frame for LAN	FCEALVL(IP3)	\$19.00	\$10.00	
Frame for SNA	FCEALVL(IP2)	\$21.00	\$15.00	
Frame for Voice	FCEALVL(IP1)	\$24.00	\$20.00	
Over 128 thru 256 Kbps				
Frame for LAN	FCEALVL(JP3)	\$25.00	\$10.00	
Frame for SNA	FCEALVL(JP2)	\$29.00	\$15.00	
Frame for Voice	FCEALVL(JP1)	\$32.00	\$20.00	
Over 256 thru 384 Kbps				
Frame for LAN	FCEALVL(KP3)	\$30.00	\$10.00	
Frame for SNA	FCEALVL(KP2)	\$33.00	\$15.00	
Frame for Voice	FCEALVL(KP1)	\$37.00	\$20.00	
Over 384 thru 512 Kbps				
Frame for LAN	FCEALVL(LP3)	\$34.00	\$10.00	
Frame for SNA	FCEALVL(LP2)	\$38.00	\$15.00	
Frame for Voice	FCEALVL(LP1)	\$43.00	\$20.00	
Over 512 thru 768 Kbps				
Frame for LAN	FCEALVL(MP3)	\$38.00	\$10.00	
Frame for SNA	FCEALVL(MP2)	\$43.00	\$15.00	
Frame for Voice	FCEALVL(MP1)	\$48.00	\$20.00	
Over 768 thru 1.536 Mbps				
Frame for LAN	FCEALVL(NP3)	\$59.00	\$10.00	
Frame for SNA	FCEALVL(NP2)	\$65.00	\$15.00	
Frame for Voice	FCEALVL(NP1)	\$74.00	\$20.00	
Over 1.536 thru 4 Mbps				
Frame for LAN	FCEALVL(OP3)	\$120.00	\$10.00	
Frame for SNA	FCEALVL(OP2)	\$135.00	\$15.00	
Frame for Voice	FCEALVL(OP1)	\$150.00	\$20.00	

<sup>(1)</sup> **When the customer also subscribes to the Company's non-regulated Dedicated IP Service, the PVC nonrecurring charge will not apply.** (N)  
(N)

ISSUED:  
March 16, 2007

BY: Darlene N. Terry  
Manager - Tariffs  
5454 W. 110th Street  
Overland Park, Kansas 66211

EFFECTIVE:  
April 15, 2007

CANCELLED  
January 30, 2008  
Missouri Public  
Service Commission

**Filed**  
Missouri Public  
Service Commission

P.S.C. MO.-No. 22 Section 21  
 GENERAL EXCHANGE TARIFF

SPRINT MISSOURI, INC.  
 d/b/a SPRINT

First Revised Page 18  
 Cancels Original Page 18

FRAME RELAY SERVICE

VIII. RATES AND CHARGES (Cont'd)

C. Permanent Virtual Circuit (PVC) - IntraLATA (Cont'd)

CIR, per PVC	S&E Code	Monthly Rate	NRC
Over 40 thru 48 Kbps			
Frame for LAN	FCEALVL(FP3)	\$9.00	\$10.00
Frame for SNA	FCEALVL(FP2)	\$10.00	\$15.00
Frame for Voice	FCEALVL(FP1)	\$12.00	\$20.00
Over 48 thru 56 Kbps			
Frame for LAN	FCEALVL(GP3)	\$11.00	\$10.00
Frame for SNA	FCEALVL(GP2)	\$12.00	\$15.00
Frame for Voice	FCEALVL(GP1)	\$15.00	\$20.00 (CR)
Over 56 thru 64 Kbps			
Frame for LAN	FCEALVL(HP3)	\$14.00	\$10.00 (CR)
Frame for SNA	FCEALVL(HP2)	\$16.00	\$15.00
Frame for Voice	FCEALVL(HP1)	\$18.00	\$20.00 (CR)
Over 64 thru 128 Kbps			
Frame for LAN	FCEALVL(IP3)	\$19.00	\$10.00 (CR)
Frame for SNA	FCEALVL(IP2)	\$21.00	\$15.00
Frame for Voice	FCEALVL(IP1)	\$24.00	\$20.00 (CR)
Over 128 thru 256 Kbps			
Frame for LAN	FCEALVL(JP3)	\$25.00	\$10.00 (CR)
Frame for SNA	FCEALVL(JP2)	\$29.00	\$15.00
Frame for Voice	FCEALVL(JP1)	\$32.00	\$20.00 (CR)
Over 256 thru 384 Kbps			
Frame for LAN	FCEALVL(KP3)	\$30.00	\$10.00 (CR)
Frame for SNA	FCEALVL(KP2)	\$33.00	\$15.00
Frame for Voice	FCEALVL(KP1)	\$37.00	\$20.00 (CR)
Over 384 thru 512 Kbps			
Frame for LAN	FCEALVL(LP3)	\$34.00	\$10.00 (CR)
Frame for SNA	FCEALVL(LP2)	\$38.00	\$15.00
Frame for Voice	FCEALVL(LP1)	\$43.00	\$20.00 (CR)
Over 512 thru 768 Kbps			
Frame for LAN	FCEALVL(MP3)	\$38.00	\$10.00 (CR)
Frame for SNA	FCEALVL(MP2)	\$43.00	\$15.00
Frame for Voice	FCEALVL(MP1)	\$48.00	\$20.00 (CR)
Over 768 thru 1.536 Mbps			
Frame for LAN	FCEALVL(NP3)	\$59.00	\$10.00 (CR)
Frame for SNA	FCEALVL(NP2)	\$65.00	\$15.00
Frame for Voice	FCEALVL(NP1)	\$74.00	\$20.00 (CR)
Over 1.536 thru 4 Mbps			
Frame for LAN	FCEALVL(OP3)	\$120.00	\$10.00
Frame for SNA	FCEALVL(OP2)	\$135.00	\$15.00 (CR)
Frame for Voice	FCEALVL(OP1)	\$150.00	\$20.00

ISSUED:  
 October 27, 1999

BY: Richard D. Lawson  
 State Executive, External Affairs  
 319 Madison  
 Jefferson City, MO 65101

EFFECTIVE:  
 November 26, 1999

GENERAL EXCHANGE TARIFF

RECEIVED

SPRINT MISSOURI, INC.  
d/b/a SPRINT

Original Page 18  
MAY 15 1998

FRAME RELAY SERVICE

MO. PUBLIC SERVICE COMM

VIII. RATES AND CHARGES (Cont'd)

C. Permanent Virtual Circuit (PVC) - IntraLATA (Cont'd)

CIR, per PVC	S&E Code	Monthly Rate	NRC
Over 40 thru 48 Kbps			
Frame for LAN	FCEALVL(FP3)	\$9.00	\$10.00
Frame for SNA	FCEALVL(FP2)	\$10.00	\$15.00
Frame for Voice	FCEALVL(FP1)	\$12.00	\$20.00
Over 48 thru 56 Kbps			
Frame for LAN	FCEALVL(GP3)	\$11.00	\$10.00
Frame for SNA	FCEALVL(GP2)	\$12.00	\$15.00
Frame for Voice	FCEALVL(GP1)	\$14.00	\$20.00
Over 56 thru 64 Kbps			
Frame for LAN	FCEALVL(HP3)	\$13.00	\$10.00
Frame for SNA	FCEALVL(HP2)	\$15.00	\$15.00
Frame for Voice	FCEALVL(HP1)	\$17.00	\$20.00
Over 64 thru 128 Kbps			
Frame for LAN	FCEALVL(IP3)	\$18.00	\$10.00
Frame for SNA	FCEALVL(IP2)	\$20.00	\$15.00
Frame for Voice	FCEALVL(IP1)	\$23.00	\$20.00
Over 128 thru 256 Kbps			
Frame for LAN	FCEALVL(JP3)	\$24.00	\$10.00
Frame for SNA	FCEALVL(JP2)	\$27.00	\$15.00
Frame for Voice	FCEALVL(JP1)	\$30.00	\$20.00
Over 256 thru 384 Kbps			
Frame for LAN	FCEALVL(KP3)	\$28.00	\$10.00
Frame for SNA	FCEALVL(KP2)	\$31.00	\$15.00
Frame for Voice	FCEALVL(KP1)	\$35.00	\$20.00
Over 384 thru 512 Kbps			
Frame for LAN	FCEALVL(LP3)	\$32.00	\$10.00
Frame for SNA	FCEALVL(LP2)	\$36.00	\$15.00
Frame for Voice	FCEALVL(LP1)	\$40.00	\$20.00
Over 512 thru 768 Kbps			
Frame for LAN	FCEALVL(MP3)	\$36.00	\$10.00
Frame for SNA	FCEALVL(MP2)	\$40.00	\$15.00
Frame for Voice	FCEALVL(MP1)	\$45.00	\$20.00
Over 768 thru 1.536 Mbps			
Frame for LAN	FCEALVL(NP3)	\$55.00	\$10.00
Frame for SNA	FCEALVL(NP2)	\$61.00	\$15.00
Frame for Voice	FCEALVL(NP1)	\$69.00	\$20.00
Over 1.536 thru 4 Mbps			
Frame for LAN	FCEALVL(OP3)	\$120.00	\$10.00
Frame for SNA	FCEALVL(OP2)	\$132.00	\$15.00
Frame for Voice	FCEALVL(OP1)	\$150.00	\$20.00

**CANCELLED**

NOV 26 1999  
By *LSRS#18*  
Public Service Commission  
MISSOURI

**FILED**

ISSUED:  
May 15, 1998

BY: Richard D. Lawson  
State Executive, External Affairs  
319 Madison  
Jefferson City, MO 65101

EFFECTIVE:  
June 15, 1998

MISSOURI  
Public Service Commission

GENERAL EXCHANGE TARIFF

Embarq Missouri, Inc.  
d/b/a Embarq

Fifth Revised Page 19  
Cancels Fourth Revised Page 19

FRAME RELAY SERVICE

VIII. RATES AND CHARGES (Cont'd)

C. Permanent Virtual Circuit (PVC) - IntraLATA (Cont'd)

CIR, per PVC	S&E Code	Monthly Rate	NRC	(C)
Over 4 thru 10 Mbps				
Frame for LAN	FCEALVL(PP3)	\$176.00	\$10.00	
Frame for SNA	FCEALVL(PP2)	\$176.00	\$15.00	
Frame for Voice	FCEALVL(PP1)	\$176.00	\$20.00	
Over 10 thru 16 Mbps				
Frame for LAN	FCEALVL(QP3)	\$249.00	\$10.00	
Frame for SNA	FCEALVL(QP2)	\$249.00	\$15.00	
Frame for Voice	FCEALVL(QP1)	\$249.00	\$20.00	
Over 16 thru 34 Mbps				
Frame for LAN	FCEALVL(RP3)	\$275.00	\$10.00	
Frame for SNA	FCEALVL(RP2)	\$275.00	\$15.00	
Frame for Voice	FCEALVL(RP1)	\$275.00	\$20.00	
Over 34 thru 44.210 Mbps				
Frame for LAN	FCEALVL(SP3)	\$407.00	\$10.00	
Frame for SNA	FCEALVL(SP2)	\$407.00	\$15.00	
Frame for Voice	FCEALVL(SP1)	\$407.00	\$20.00	

D. Permanent Virtual Circuit (PVC) – InterLATA

Over 0 thru 8 Kbps				
Frame for LAN	FCEALVI(AP3)	\$ 3.00	\$10.00	
Frame for SNA	FCEALVI(AP2)	\$ 3.00	\$15.00	
Frame for Voice	FCEALVI(AP1)	\$ 3.00	\$20.00	
Over 8 thru 16 Kbps				
Frame for LAN	FCEALVI(BP3)	\$ 4.00	\$10.00	
Frame for SNA	FCEALVI(BP2)	\$ 4.00	\$15.00	
Frame for Voice	FCEALVI(BP1)	\$ 4.00	\$20.00	
Over 16 thru 24 Kbps				
Frame for LAN	FCEALVI(CP3)	\$ 4.95	\$10.00	
Frame for SNA	FCEALVI(CP2)	\$ 4.95	\$15.00	
Frame for Voice	FCEALVI(CP1)	\$ 5.00	\$20.00	
Over 24 thru 32 Kbps				
Frame for LAN	FCEALVI(DP3)	\$ 5.77	\$10.00	
Frame for SNA	FCEALVI(DP2)	\$ 5.77	\$15.00	
Frame for Voice	FCEALVI(DP1)	\$ 6.00	\$20.00	
Over 32 thru 40 Kbps				
Frame for LAN	FCEALVI(EP3)	\$ 8.00	\$10.00	
Frame for SNA	FCEALVI(EP2)	\$ 8.00	\$15.00	
Frame for Voice	FCEALVI(EP1)	\$ 8.00	\$20.00	

ISSUED:  
March 6, 2009

BY: Darlene N. Terry  
Manager - Tariffs  
5454 W. 110th Street  
Overland Park, Kansas 66211

EFFECTIVE:  
April 5, 2009

(D)  
(D)



## GENERAL EXCHANGE TARIFF

Embarq Missouri, Inc.  
d/b/a EmbarqFourth Revised Page 19  
Cancels Third Revised Page 19

## FRAME RELAY SERVICE

## VIII. RATES AND CHARGES (Cont'd)

## C. Permanent Virtual Circuit (PVC) - IntraLATA (Cont'd)

CIR, per PVC	S&E Code	Monthly Rate	NRC <sup>(1)</sup>	
Over 4 thru 10 Mbps				
Frame for LAN	FCEALVL(PP3)	<b>\$176.00</b>	\$10.00	(I)
Frame for SNA	FCEALVL(PP2)	<b>\$176.00</b>	\$15.00	(I)
Frame for Voice	FCEALVL(PP1)	<b>\$176.00</b>	\$20.00	(R)
Over 10 thru 16 Mbps				
Frame for LAN	FCEALVL(QP3)	<b>\$249.00</b>	\$10.00	(I)
Frame for SNA	FCEALVL(QP2)	<b>\$249.00</b>	\$15.00	(I)
Frame for Voice	FCEALVL(QP1)	<b>\$249.00</b>	\$20.00	(R)
Over 16 thru 34 Mbps				
Frame for LAN	FCEALVL(RP3)	<b>\$275.00</b>	\$10.00	(I)
Frame for SNA	FCEALVL(RP2)	<b>\$275.00</b>	\$15.00	(I)
Frame for Voice	FCEALVL(RP1)	<b>\$275.00</b>	\$20.00	(R)
Over 34 thru 44.210 Mbps				
Frame for LAN	FCEALVL(SP3)	<b>\$407.00</b>	\$10.00	(I)
Frame for SNA	FCEALVL(SP2)	<b>\$407.00</b>	\$15.00	(I)
Frame for Voice	FCEALVL(SP1)	<b>\$407.00</b>	\$20.00	(R)

## D. Permanent Virtual Circuit (PVC) – InterLATA

Over 0 thru 8 Kbps				
Frame for LAN	FCEALVI(AP3)	<b>\$ 3.00</b>	\$10.00	(I)
Frame for SNA	FCEALVI(AP2)	<b>\$ 3.00</b>	\$15.00	(I)
Frame for Voice	FCEALVI(AP1)	<b>\$ 3.00</b>	\$20.00	(R)
Over 8 thru 16 Kbps				
Frame for LAN	FCEALVI(BP3)	<b>\$ 4.00</b>	\$10.00	(I)
Frame for SNA	FCEALVI(BP2)	<b>\$ 4.00</b>	\$15.00	(I)
Frame for Voice	FCEALVI(BP1)	<b>\$ 4.00</b>	\$20.00	(R)
Over 16 thru 24 Kbps				
Frame for LAN	FCEALVI(CP3)	<b>\$ 4.95</b>	\$10.00	(I)
Frame for SNA	FCEALVI(CP2)	<b>\$ 4.95</b>	\$15.00	(I)
Frame for Voice	FCEALVI(CP1)	<b>\$ 5.00</b>	\$20.00	(R)
Over 24 thru 32 Kbps				
Frame for LAN	FCEALVI(DP3)	<b>\$ 5.77</b>	\$10.00	(I)
Frame for SNA	FCEALVI(DP2)	<b>\$ 5.77</b>	\$15.00	(I)
Frame for Voice	FCEALVI(DP1)	<b>\$ 6.00</b>	\$20.00	(R)
Over 32 thru 40 Kbps				
Frame for LAN	FCEALVI(EP3)	<b>\$ 8.00</b>	\$10.00	(I)
Frame for SNA	FCEALVI(EP2)	<b>\$ 8.00</b>	\$15.00	(I)
Frame for Voice	FCEALVI(EP1)	<b>\$ 8.00</b>	\$20.00	(R)

<sup>(1)</sup> When the customer also subscribes to the Company's non-regulated Dedicated IP Service, the PVC nonrecurring charge will not apply.

ISSUED:  
January 20, 2009BY: Darlene N. Terry  
Manager - Tariffs  
5454 W. 110th Street  
Overland Park, Kansas 66211EFFECTIVE:  
February 1, 2009

GENERAL EXCHANGE TARIFF

Embarq Missouri, Inc.  
d/b/a Embarq

Third Revised Page 19  
Cancels Second Revised Page 19

FRAME RELAY SERVICE

VIII. RATES AND CHARGES (Cont'd)

C. Permanent Virtual Circuit (PVC) - IntraLATA (Cont'd)

CIR, per PVC	S&E Code	Monthly Rate	NRC <sup>(1)</sup>	
Over 4 thru 10 Mbps				
Frame for LAN	FCEALVL(PP3)	\$170.00	\$10.00	
Frame for SNA	FCEALVL(PP2)	<b>\$170.00</b>	\$15.00	(R)
Frame for Voice	FCEALVL(PP1)	\$215.00	\$20.00	
Over 10 thru 16 Mbps				
Frame for LAN	FCEALVL(QP3)	\$240.00	\$10.00	
Frame for SNA	FCEALVL(QP2)	<b>\$240.00</b>	\$15.00	(R)
Frame for Voice	FCEALVL(QP1)	\$305.00	\$20.00	
Over 16 thru 34 Mbps				
Frame for LAN	FCEALVL(RP3)	\$270.00	\$10.00	
Frame for SNA	FCEALVL(RP2)	<b>\$270.00</b>	\$15.00	(R)
Frame for Voice	FCEALVL(RP1)	\$335.00	\$20.00	
Over 34 thru 44.210 Mbps				
Frame for LAN	FCEALVL(SP3)	\$395.00	\$10.00	
Frame for SNA	FCEALVL(SP2)	<b>\$395.00</b>	\$15.00	(R)
Frame for Voice	FCEALVL(SP1)	\$500.00	\$20.00	

D. Permanent Virtual Circuit (PVC) – InterLATA

Over 0 thru 8 Kbps				
Frame for LAN	FCEALVI(AP3)	<b>\$2.10</b>	\$10.00	(R)
Frame for SNA	FCEALVI(AP2)	<b>\$2.10</b>	\$15.00	
Frame for Voice	FCEALVI(AP1)	<b>\$4.00</b>	\$20.00	(R)
Over 8 thru 16 Kbps				
Frame for LAN	FCEALVI(BP3)	<b>\$3.15</b>	\$10.00	(R)
Frame for SNA	FCEALVI(BP2)	<b>\$3.15</b>	\$15.00	
Frame for Voice	FCEALVI(BP1)	<b>\$5.00</b>	\$20.00	(R)
Over 16 thru 24 Kbps				
Frame for LAN	FCEALVI(CP3)	<b>\$4.50</b>	\$10.00	(R)
Frame for SNA	FCEALVI(CP2)	<b>\$4.50</b>	\$15.00	
Frame for Voice	FCEALVI(CP1)	<b>\$6.00</b>	\$20.00	(R)
Over 24 thru 32 Kbps				
Frame for LAN	FCEALVI(DP3)	<b>\$5.25</b>	\$10.00	(R)
Frame for SNA	FCEALVI(DP2)	<b>\$5.25</b>	\$15.00	
Frame for Voice	FCEALVI(DP1)	<b>\$7.00</b>	\$20.00	(R)
Over 32 thru 40 Kbps				
Frame for LAN	FCEALVI(EP3)	<b>\$7.35</b>	\$10.00	(R)
Frame for SNA	FCEALVI(EP2)	<b>\$7.35</b>	\$15.00	
Frame for Voice	FCEALVI(EP1)	<b>\$9.00</b>	\$20.00	(R)

<sup>(1)</sup> When the customer also subscribes to the Company's non-regulated Dedicated IP Service, the PVC nonrecurring charge will not apply.

ISSUED:  
December 3, 2007

BY: Darlene N. Terry  
Manager - Tariffs  
5454 W. 110th Street  
Overland Park, Kansas 66211

EFFECTIVE:  
January 30, 2008

CANCELLED  
February 1, 2009  
Missouri Public  
Service Commission  
JI-2009-0528

FILED  
Missouri Public  
Service Commission

GENERAL EXCHANGE TARIFF

**Embarq Missouri, Inc.**  
d/b/a **Embarq**

Second Revised Page 19 (C)  
Cancels First Revised Page 19 (C)

FRAME RELAY SERVICE

VIII. RATES AND CHARGES (Cont'd)

C. Permanent Virtual Circuit (PVC) - IntraLATA (Cont'd)

CIR, per PVC	S&E Code	Monthly Rate	NRC <sup>(1)</sup>	(C)
Over 4 thru 10 Mbps				
Frame for LAN	FCEALVL(PP3)	\$170.00	\$10.00	
Frame for SNA	FCEALVL(PP2)	\$190.00	\$15.00	
Frame for Voice	FCEALVL(PP1)	\$215.00	\$20.00	
Over 10 thru 16 Mbps				
Frame for LAN	FCEALVL(QP3)	\$240.00	\$10.00	
Frame for SNA	FCEALVL(QP2)	\$265.00	\$15.00	
Frame for Voice	FCEALVL(QP1)	\$305.00	\$20.00	
Over 16 thru 34 Mbps				
Frame for LAN	FCEALVL(RP3)	\$270.00	\$10.00	
Frame for SNA	FCEALVL(RP2)	\$295.00	\$15.00	
Frame for Voice	FCEALVL(RP1)	\$335.00	\$20.00	
Over 34 thru 44.210 Mbps				
Frame for LAN	FCEALVL(SP3)	\$395.00	\$10.00	
Frame for SNA	FCEALVL(SP2)	\$435.00	\$15.00	
Frame for Voice	FCEALVL(SP1)	\$500.00	\$20.00	

D. Permanent Virtual Circuit (PVC) – InterLATA

Over 0 thru 8 Kbps				
Frame for LAN	FCEALVI(AP3)	\$3.00	\$10.00	
Frame for SNA	FCEALVI(AP2)	\$4.00	\$15.00	
Frame for Voice	FCEALVI(AP1)	\$5.00	\$20.00	
Over 8 thru 16 Kbps				
Frame for LAN	FCEALVI(BP3)	\$4.00	\$10.00	
Frame for SNA	FCEALVI(BP2)	\$5.00	\$15.00	
Frame for Voice	FCEALVI(BP1)	\$6.00	\$20.00	
Over 16 thru 24 Kbps				
Frame for LAN	FCEALVI(CP3)	\$6.00	\$10.00	
Frame for SNA	FCEALVI(CP2)	\$7.00	\$15.00	
Frame for Voice	FCEALVI(CP1)	\$8.00	\$20.00	
Over 24 thru 32 Kbps				
Frame for LAN	FCEALVI(DP3)	\$8.00	\$10.00	
Frame for SNA	FCEALVI(DP2)	\$9.00	\$15.00	
Frame for Voice	FCEALVI(DP1)	\$10.00	\$20.00	
Over 32 thru 40 Kbps				
Frame for LAN	FCEALVI(EP3)	\$11.00	\$10.00	
Frame for SNA	FCEALVI(EP2)	\$12.00	\$15.00	
Frame for Voice	FCEALVI(EP1)	\$14.00	\$20.00	

<sup>(1)</sup> When the customer also subscribes to the Company's non-regulated Dedicated IP Service, the PVC nonrecurring charge will not apply. (N)  
(N)

ISSUED:  
March 16, 2007

BY: Darlene N. Terry  
Manager - Tariffs  
5454 W. 110th Street  
Overland Park, Kansas 66211

EFFECTIVE:  
April 15, 2007

CANCELLED  
January 30, 2008  
Missouri Public  
Service Commission

**Filed**  
Missouri Public  
Service Commission

GENERAL EXCHANGE TARIFF

SPRINT MISSOURI, INC.  
d/b/a SPRINT

First Revised Page 19  
Cancels Original Page 19

FRAME RELAY SERVICE

VIII. RATES AND CHARGES (Cont'd)

C. Permanent Virtual Circuit (PVC) - IntraLATA (Cont'd)

CIR, per PVC	S&E Code	Monthly Rate	NRC
Over 4 thru 10 Mbps			
Frame for LAN	FCEALVL(PP3)	\$170.00	\$10.00 (CR)
Frame for SNA	FCEALVL(PP2)	\$190.00	\$15.00
Frame for Voice	FCEALVL(PP1)	\$215.00	\$20.00 (CR)
Over 10 thru 16 Mbps			
Frame for LAN	FCEALVL(QP3)	\$240.00	\$10.00 (CR)
Frame for SNA	FCEALVL(QP2)	\$265.00	\$15.00
Frame for Voice	FCEALVL(QP1)	\$305.00	\$20.00 (CR)
Over 16 thru 34 Mbps			
Frame for LAN	FCEALVL(RP3)	\$270.00	\$10.00 (CR)
Frame for SNA	FCEALVL(RP2)	\$295.00	\$15.00
Frame for Voice	FCEALVL(RP1)	\$335.00	\$20.00 (CR)
Over 34 thru 44.210 Mbps			
Frame for LAN	FCEALVL(SP3)	\$395.00	\$10.00 (CR)
Frame for SNA	FCEALVL(SP2)	\$435.00	\$15.00
Frame for Voice	FCEALVL(SP1)	\$500.00	\$20.00 (CR)

D. Permanent Virtual Circuit (PVC) - InterLATA

Over 0 thru 8 Kbps			
Frame for LAN	FCEALVI(AP3)	\$3.00	\$10.00
Frame for SNA	FCEALVI(AP2)	\$4.00	\$15.00
Frame for Voice	FCEALVI(AP1)	\$5.00	\$20.00
Over 8 thru 16 Kbps			
Frame for LAN	FCEALVI(BP3)	\$4.00	\$10.00
Frame for SNA	FCEALVI(BP2)	\$5.00	\$15.00
Frame for Voice	FCEALVI(BP1)	\$6.00	\$20.00
Over 16 thru 24 Kbps			
Frame for LAN	FCEALVI(CP3)	\$6.00	\$10.00
Frame for SNA	FCEALVI(CP2)	\$7.00	\$15.00
Frame for Voice	FCEALVI(CP1)	\$8.00	\$20.00
Over 24 thru 32 Kbps			
Frame for LAN	FCEALVI(DP3)	\$8.00	\$10.00
Frame for SNA	FCEALVI(DP2)	\$9.00	\$15.00
Frame for Voice	FCEALVI(DP1)	\$10.00	\$20.00
Over 32 thru 40 Kbps			
Frame for LAN	FCEALVI(EP3)	\$11.00	\$10.00
Frame for SNA	FCEALVI(EP2)	\$12.00	\$15.00
Frame for Voice	FCEALVI(EP1)	\$14.00	\$20.00 (CR)

ISSUED:  
October 27, 1999

BY: Richard D. Lawson  
State Executive, External Affairs  
319 Madison  
Jefferson City, MO 65101

EFFECTIVE:  
November 26, 1999

GENERAL EXCHANGE TARIFF

SPRINT MISSOURI, INC.  
d/b/a SPRINT

**RECEIVED**  
Original Page 19  
**MAY 15 1998**

FRAME RELAY SERVICE

**MO. PUBLIC SERVICE COMM**

VIII. RATES AND CHARGES (Cont'd)

C. Permanent Virtual Circuit (PVC) - IntraLATA (Cont'd)

CIR, per PVC	S&E Code	Monthly Rate	NRC
Over 4 thru 10 Mbps			
Frame for LAN	FCEALVL(PP3)	\$160.00	\$10.00
Frame for SNA	FCEALVL(PP2)	\$176.00	\$15.00
Frame for Voice	FCEALVL(PP1)	\$200.00	\$20.00
Over 10 thru 16 Mbps			
Frame for LAN	FCEALVL(QP3)	\$226.00	\$10.00
Frame for SNA	FCEALVL(QP2)	\$249.00	\$15.00
Frame for Voice	FCEALVL(QP1)	\$283.00	\$20.00
Over 16 thru 34 Mbps			
Frame for LAN	FCEALVL(RP3)	\$250.00	\$10.00
Frame for SNA	FCEALVL(RP2)	\$275.00	\$15.00
Frame for Voice	FCEALVL(RP1)	\$313.00	\$20.00
Over 34 thru 44.210 Mbps			
Frame for LAN	FCEALVL(SP3)	\$370.00	\$10.00
Frame for SNA	FCEALVL(SP2)	\$407.00	\$15.00
Frame for Voice	FCEALVL(SP1)	\$463.00	\$20.00

D. Permanent Virtual Circuit (PVC) - InterLATA

Over 0 thru 8 Kbps			
Frame for LAN	FCEALVI(AP3)	\$3.00	\$10.00
Frame for SNA	FCEALVI(AP2)	\$4.00	\$15.00
Frame for Voice	FCEALVI(AP1)	\$5.00	\$20.00
Over 8 thru 16 Kbps			
Frame for LAN	FCEALVI(BP3)	\$4.00	\$10.00
Frame for SNA	FCEALVI(BP2)	\$5.00	\$15.00
Frame for Voice	FCEALVI(BP1)	\$6.00	\$20.00
Over 16 thru 24 Kbps			
Frame for LAN	FCEALVI(CP3)	\$6.00	\$10.00
Frame for SNA	FCEALVI(CP2)	\$7.00	\$15.00
Frame for Voice	FCEALVI(CP1)	\$8.00	\$20.00
Over 24 thru 32 Kbps			
Frame for LAN	FCEALVI(DP3)	\$8.00	\$10.00
Frame for SNA	FCEALVI(DP2)	\$9.00	\$15.00
Frame for Voice	FCEALVI(DP1)	\$10.00	\$20.00
Over 32 thru 40 Kbps			
Frame for LAN	FCEALVI(EP3)	\$11.00	\$10.00
Frame for SNA	FCEALVI(EP2)	\$12.00	\$15.00
Frame for Voice	FCEALVI(EP1)	\$13.00	\$20.00

**CANCELLED**

NOV 26 1999  
By *LSRS#19*  
Public Service Commission  
MISSOURI

**FILED**

ISSUED:  
May 15, 1998

BY: Richard D. Lawson  
State Executive, External Affairs  
319 Madison  
Jefferson City, MO 65101

EFFECTIVE:  
June 16 1998

**MISSOURI**  
Public Service Commission

GENERAL EXCHANGE TARIFF

Embarq Missouri, Inc.  
d/b/a Embarq

Seventh Revised Page 20  
Cancels Sixth Revised Page 20

FRAME RELAY SERVICE

VIII. RATES AND CHARGES (Cont'd)

D. Permanent Virtual Circuit (PVC) – InterLATA (Cont'd)

	<u>S&amp;E Code</u>	<u>Monthly Rate</u>	<u>NRC</u>	(C)
Over 40 thru 48 Kbps				
Frame for LAN	FCEALVI(FP3)	\$ 10.00	\$10.00	
Frame for SNA	FCEALVI(FP2)	\$ 10.00	\$15.00	
Frame for Voice	FCEALVI(FP1)	\$ 10.00	\$20.00	
Over 48 thru 56 Kbps				
Frame for LAN	FCEALVI(GP3)	\$ 12.00	\$10.00	
Frame for SNA	FCEALVI(GP2)	\$ 12.00	\$15.00	
Frame for Voice	FCEALVI(GP1)	\$ 12.00	\$20.00	
Over 56 thru 64 Kbps				
Frame for LAN	FCEALVI(HP3)	\$ 15.00	\$10.00	
Frame for SNA	FCEALVI(HP2)	\$ 15.00	\$15.00	
Frame for Voice	FCEALVI(HP1)	\$ 15.00	\$20.00	
Over 64 thru 128 Kbps				
Frame for LAN	FCEALVI(IP3)	\$ 29.00	\$10.00	
Frame for SNA	FCEALVI(IP2)	\$ 20.00	\$15.00	
Frame for Voice	FCEALVI(IP1)	\$ 36.00	\$20.00	
Over 128 thru 256 Kbps				
Frame for LAN	FCEALVI(JP3)	\$ 38.00	\$10.00	
Frame for SNA	FCEALVI(JP2)	\$ 27.00	\$15.00	
Frame for Voice	FCEALVI(JP1)	\$ 48.00	\$20.00	
Over 256 thru 384 Kb				
Frame for LAN	FCEALVI(KP3)	\$ 31.00	\$10.00	
Frame for SNA	FCEALVI(KP2)	\$ 31.00	\$15.00	
Frame for Voice	FCEALVI(KP1)	\$ 31.00	\$20.00	
Over 384 thru 512 Kbps				
Frame for LAN	FCEALVI(LP3)	\$ 36.00	\$10.00	
Frame for SNA	FCEALVI(LP2)	\$ 36.00	\$15.00	
Frame for Voice	FCEALVI(LP1)	\$ 36.00	\$20.00	
Over 512 thru 768 Kbps				
Frame for LAN	FCEALVI(MP3)	\$ 58.00	\$10.00	
Frame for SNA	FCEALVI(MP2)	\$ 40.00	\$15.00	
Frame for Voice	FCEALVI(MP1)	\$ 40.00	\$20.00	
Over 768 thru 1.536 Mbps				
Frame for LAN	FCEALVI(NP3)	\$ 61.00	\$10.00	
Frame for SNA	FCEALVI(NP2)	\$ 61.00	\$15.00	
Frame for Voice	FCEALVI(NP1)	\$ 61.00	\$20.00	
Over 1.536 thru 4 Mbps				
Frame for LAN	FCEALVI(OP3)	\$ 132.00	\$10.00	
Frame for SNA	FCEALVI(OP2)	\$ 132.00	\$15.00	
Frame for Voice	FCEALVI(OP1)	\$ 132.00	\$20.00	

(D)  
(D)

ISSUED:  
March 6, 2009

BY: Darlene N. Terry  
Manager - Tariffs  
5454 W. 110th Street  
Overland Park, Kansas 66211

EFFECTIVE:  
April 5, 2009

CANCELLED  
October 19, 2009  
Missouri Public  
Service Commission  
TN-2010-0086; JI-2010-0155

FILED  
Missouri Public  
Service Commission  
JI-2009-0634

GENERAL EXCHANGE TARIFF

Embarq Missouri, Inc.  
d/b/a Embarq

Sixth Revised Page 20  
Cancels Fifth Revised Page 20

FRAME RELAY SERVICE

VIII. RATES AND CHARGES (Cont'd)

D. Permanent Virtual Circuit (PVC) – InterLATA (Cont'd)

	<u>S&amp;E Code</u>	<u>Monthly Rate</u>	<u>NRC</u> <sup>(1)</sup>	
Over 40 thru 48 Kbps				
Frame for LAN	FCEALVI(FP3)	\$ 10.00	\$10.00	(I)
Frame for SNA	FCEALVI(FP2)	\$ 10.00	\$15.00	(I)
Frame for Voice	FCEALVI(FP1)	\$ 10.00	\$20.00	(R)
Over 48 thru 56 Kbps				
Frame for LAN	FCEALVI(GP3)	\$ 12.00	\$10.00	(I)
Frame for SNA	FCEALVI(GP2)	\$ 12.00	\$15.00	(I)
Frame for Voice	FCEALVI(GP1)	\$ 12.00	\$20.00	(R)
Over 56 thru 64 Kbps				
Frame for LAN	FCEALVI(HP3)	\$ 15.00	\$10.00	(I)
Frame for SNA	FCEALVI(HP2)	\$ 15.00	\$15.00	(I)
Frame for Voice	FCEALVI(HP1)	\$ 15.00	\$20.00	(R)
Over 64 thru 128 Kbps				
Frame for LAN	FCEALVI(IP3)	\$ 29.00	\$10.00	
Frame for SNA	FCEALVI(IP2)	\$ 20.00	\$15.00	(R)
Frame for Voice	FCEALVI(IP1)	\$ 36.00	\$20.00	
Over 128 thru 256 Kbps				
Frame for LAN	FCEALVI(JP3)	\$ 38.00	\$10.00	
Frame for SNA	FCEALVI(JP2)	\$ 27.00	\$15.00	(R)
Frame for Voice	FCEALVI(JP1)	\$ 48.00	\$20.00	
Over 256 thru 384 Kb				
Frame for LAN	FCEALVI(KP3)	\$ 31.00	\$10.00	(R)
Frame for SNA	FCEALVI(KP2)	\$ 31.00	\$15.00	
Frame for Voice	FCEALVI(KP1)	\$ 31.00	\$20.00	(R)
Over 384 thru 512 Kbps				
Frame for LAN	FCEALVI(LP3)	\$ 36.00	\$10.00	(R)
Frame for SNA	FCEALVI(LP2)	\$ 36.00	\$15.00	
Frame for Voice	FCEALVI(LP1)	\$ 36.00	\$20.00	(R)
Over 512 thru 768 Kbps				
Frame for LAN	FCEALVI(MP3)	\$ 58.00	\$10.00	
Frame for SNA	FCEALVI(MP2)	\$ 40.00	\$15.00	(R)
Frame for Voice	FCEALVI(MP1)	\$ 40.00	\$20.00	(R)
Over 768 thru 1.536 Mbps				
Frame for LAN	FCEALVI(NP3)	\$ 61.00	\$10.00	(R)
Frame for SNA	FCEALVI(NP2)	\$ 61.00	\$15.00	
Frame for Voice	FCEALVI(NP1)	\$ 61.00	\$20.00	(R)
Over 1.536 thru 4 Mbps				
Frame for LAN	FCEALVI(OP3)	\$ 132.00	\$10.00	(I)
Frame for SNA	FCEALVI(OP2)	\$ 132.00	\$15.00	(I)
Frame for Voice	FCEALVI(OP1)	\$ 132.00	\$20.00	(R)

<sup>(1)</sup> When the customer also subscribes to the Company's non-regulated Dedicated IP Service, the PVC nonrecurring charge will not apply.

ISSUED:  
January 20, 2009

BY: Darlene N. Terry  
Manager - Tariffs  
5454 W. 110th Street  
Overland Park, Kansas 66211

EFFECTIVE:  
February 1, 2009

P.S.C. MO.-No. 22 Section 21  
GENERAL EXCHANGE TARIFF

Embarq Missouri, Inc.  
d/b/a Embarq

Fifth Revised Page 20  
Cancels Fourth Revised Page 20

FRAME RELAY SERVICE

VIII. RATES AND CHARGES (Cont'd)

D. Permanent Virtual Circuit (PVC) – InterLATA (Cont'd)

	<u>S&amp;E Code</u>	<u>Monthly Rate</u>	<u>NRC</u> <sup>(1)</sup>	
Over 40 thru 48 Kbps				
Frame for LAN	FCEALVI(FP3)	<b>\$ 9.45</b>	\$10.00	(R)
Frame for SNA	FCEALVI(FP2)	<b>\$ 9.45</b>	\$15.00	
Frame for Voice	FCEALVI(FP1)	<b>\$12.00</b>	\$20.00	(R)
Over 48 thru 56 Kbps				
Frame for LAN	FCEALVI(GP3)	<b>\$11.55</b>	\$10.00	(R)
Frame for SNA	FCEALVI(GP2)	<b>\$11.55</b>	\$15.00	
Frame for Voice	FCEALVI(GP1)	<b>\$15.00</b>	\$20.00	(R)
Over 56 thru 64 Kbps				
Frame for LAN	FCEALVI(HP3)	<b>\$14.70</b>	\$10.00	(R)
Frame for SNA	FCEALVI(HP2)	<b>\$14.70</b>	\$15.00	
Frame for Voice	FCEALVI(HP1)	<b>\$18.00</b>	\$20.00	(R)
Over 64 thru 128 Kbps				
Frame for LAN	FCEALVI(IP3)	\$29.00	\$10.00	
Frame for SNA	FCEALVI(IP2)	<b>\$29.00</b>	\$15.00	(R)
Frame for Voice	FCEALVI(IP1)	\$36.00	\$20.00	
Over 128 thru 256 Kbps				
Frame for LAN	FCEALVI(JP3)	\$38.00	\$10.00	
Frame for SNA	FCEALVI(JP2)	<b>\$38.00</b>	\$15.00	(R)
Frame for Voice	FCEALVI(JP1)	\$48.00	\$20.00	
Over 256 thru 384 Kbps				
Frame for LAN	FCEALVI(KP3)	<b>\$40.00</b>	\$10.00	(R)
Frame for SNA	FCEALVI(KP2)	<b>\$40.00</b>	\$15.00	(R)
Frame for Voice	FCEALVI(KP1)	\$57.00	\$20.00	
Over 384 thru 512 Kbps				
Frame for LAN	FCEALVI(LP3)	\$51.00	\$10.00	
Frame for SNA	FCEALVI(LP2)	<b>\$51.00</b>	\$15.00	(R)
Frame for Voice	FCEALVI(LP1)	\$64.00	\$20.00	
Over 512 thru 768 Kbps				
Frame for LAN	FCEALVI(MP3)	\$58.00	\$10.00	
Frame for SNA	FCEALVI(MP2)	<b>\$58.00</b>	\$15.00	(R)
Frame for Voice	FCEALVI(MP1)	\$73.00	\$20.00	
Over 768 thru 1.536 Mbps				
Frame for LAN	FCEALVI(NP3)	<b>\$61.95</b>	\$10.00	(R)
Frame for SNA	FCEALVI(NP2)	<b>\$61.95</b>	\$15.00	
Frame for Voice	FCEALVI(NP1)	<b>\$74.00</b>	\$20.00	(R)
Over 1.536 thru 4 Mbps				
Frame for LAN	FCEALVI(OP3)	<b>\$120.00</b>	\$10.00	(R)
Frame for SNA	FCEALVI(OP2)	<b>\$120.00</b>	\$15.00	
Frame for Voice	FCEALVI(OP1)	<b>\$150.00</b>	\$20.00	(R)

<sup>(1)</sup> When the customer also subscribes to the Company's non-regulated Dedicated IP Service, the PVC nonrecurring charge will not apply.

ISSUED:  
December 3, 2007

BY: Darlene N. Terry  
Manager - Tariffs  
5454 W. 110th Street  
Overland Park, Kansas 66211

EFFECTIVE:  
January 30, 2008

CANCELLED  
February 1, 2009  
Missouri Public  
Service Commission  
JI-2009-0528

FILED  
Missouri Public  
Service Commission



GENERAL EXCHANGE TARIFF

Embarq Missouri, Inc.  
d/b/a Embarq

Fourth Revised Page 20  
Cancels Third Revised Page 20

FRAME RELAY SERVICE

VIII. RATES AND CHARGES (Cont'd)

D. Permanent Virtual Circuit (PVC) – InterLATA (Cont'd)

	<u>S&amp;E Code</u>	<u>Monthly Rate</u>	<u>NRC</u> <sup>(1)</sup>	(C)
Over 40 thru 48 Kbps				
Frame for LAN	FCEALVI(FP3)	\$15.00	\$10.00	
Frame for SNA	FCEALVI(FP2)	\$16.00	\$15.00	
Frame for Voice	FCEALVI(FP1)	\$18.00	\$20.00	
Over 48 thru 56 Kbps				
Frame for LAN	FCEALVI(GP3)	\$18.00	\$10.00	
Frame for SNA	FCEALVI(GP2)	\$20.00	\$15.00	
Frame for Voice	FCEALVI(GP1)	\$22.00	\$20.00	
Over 56 thru 64 Kbps				
Frame for LAN	FCEALVI(HP3)	\$21.00	\$10.00	
Frame for SNA	FCEALVI(HP2)	\$23.00	\$15.00	
Frame for Voice	FCEALVI(HP1)	\$27.00	\$20.00	
Over 64 thru 128 Kbps				
Frame for LAN	FCEALVI(IP3)	\$29.00	\$10.00	
Frame for SNA	FCEALVI(IP2)	\$32.00	\$15.00	
Frame for Voice	FCEALVI(IP1)	\$36.00	\$20.00	
Over 128 thru 256 Kbps				
Frame for LAN	FCEALVI(JP3)	\$38.00	\$10.00	
Frame for SNA	FCEALVI(JP2)	\$43.00	\$15.00	
Frame for Voice	FCEALVI(JP1)	\$48.00	\$20.00	
Over 256 thru 384 Kbps				
Frame for LAN	FCEALVI(KP3)	\$45.00	\$10.00	
Frame for SNA	FCEALVI(KP2)	\$49.00	\$15.00	
Frame for Voice	FCEALVI(KP1)	\$57.00	\$20.00	
Over 384 thru 512 Kbps				
Frame for LAN	FCEALVI(LP3)	\$51.00	\$10.00	
Frame for SNA	FCEALVI(LP2)	\$57.00	\$15.00	
Frame for Voice	FCEALVI(LP1)	\$64.00	\$20.00	
Over 512 thru 768 Kbps				
Frame for LAN	FCEALVI(MP3)	\$58.00	\$10.00	
Frame for SNA	FCEALVI(MP2)	\$64.00	\$15.00	
Frame for Voice	FCEALVI(MP1)	\$73.00	\$20.00	
Over 768 thru 1.536 Mbps				
Frame for LAN	FCEALVI(NP3)	\$89.00	<b>\$10.00</b>	(D)
Frame for SNA	FCEALVI(NP2)	\$98.00	\$15.00	
Frame for Voice	FCEALVI(NP1)	\$112.00	\$20.00	
Over 1.536 thru 4 Mbps				
Frame for LAN	FCEALVI(OP3)	\$180.00	\$10.00	
Frame for SNA	FCEALVI(OP2)	\$200.00	\$15.00	
Frame for Voice	FCEALVI(OP1)	\$225.00	\$20.00	

<sup>(1)</sup> When the customer also subscribes to the Company's **non-regulated Dedicated IP Service**, the **PVC nonrecurring** charge will not apply. (C)  
(C)

ISSUED:  
March 16, 2007

BY: Darlene N. Terry  
Manager - Tariffs  
5454 W. 110th Street  
Overland Park, Kansas 66211

EFFECTIVE:  
April 15, 2007

CANCELLED  
January 30, 2008  
Missouri Public  
Service Commission

**Filed**  
Missouri Public  
Service Commission

GENERAL EXCHANGE TARIFF

EMBARQ MISSOURI, INC.  
d/b/a EMBARQ

Third Revised Page 20 (C)  
Cancels Second Revised Page 20 (C)

FRAME RELAY SERVICE

VIII. RATES AND CHARGES (Cont'd)

D. Permanent Virtual Circuit (PVC) – InterLATA (Cont'd)

	S&E Code	Monthly Rate	NRC	
Over 40 thru 48 Kbps				
Frame for LAN	FCEALVI(FP3)	\$15.00	\$10.00	
Frame for SNA	FCEALVI(FP2)	\$16.00	\$15.00	
Frame for Voice	FCEALVI(FP1)	\$18.00	\$20.00	
Over 48 thru 56 Kbps				
Frame for LAN	FCEALVI(GP3)	\$18.00	\$10.00	
Frame for SNA	FCEALVI(GP2)	\$20.00	\$15.00	
Frame for Voice	FCEALVI(GP1)	\$22.00	\$20.00	
Over 56 thru 64 Kbps				
Frame for LAN	FCEALVI(HP3)	\$21.00	\$10.00	
Frame for SNA	FCEALVI(HP2)	\$23.00	\$15.00	
Frame for Voice	FCEALVI(HP1)	\$27.00	\$20.00	
Over 64 thru 128 Kbps				
Frame for LAN	FCEALVI(IP3)	\$29.00	\$10.00	
Frame for SNA	FCEALVI(IP2)	\$32.00	\$15.00	
Frame for Voice	FCEALVI(IP1)	\$36.00	\$20.00	
Over 128 thru 256 Kbps				
Frame for LAN	FCEALVI(JP3)	\$38.00	\$10.00	
Frame for SNA	FCEALVI(JP2)	\$43.00	\$15.00	
Frame for Voice	FCEALVI(JP1)	\$48.00	\$20.00	
Over 256 thru 384 Kbps				
Frame for LAN	FCEALVI(KP3)	\$45.00	\$10.00	
Frame for SNA	FCEALVI(KP2)	\$49.00	\$15.00	
Frame for Voice	FCEALVI(KP1)	\$57.00	\$20.00	
Over 384 thru 512 Kbps				
Frame for LAN	FCEALVI(LP3)	\$51.00	\$10.00	
Frame for SNA	FCEALVI(LP2)	\$57.00	\$15.00	
Frame for Voice	FCEALVI(LP1)	\$64.00	\$20.00	
Over 512 thru 768 Kbps				
Frame for LAN	FCEALVI(MP3)	\$58.00	\$10.00	
Frame for SNA	FCEALVI(MP2)	\$64.00	\$15.00	
Frame for Voice	FCEALVI(MP1)	\$73.00	\$20.00	
Over 768 thru 1.536 Mbps				
Frame for LAN	FCEALVI(NP3)	\$89.00	\$10.00*	(T)
Frame for SNA	FCEALVI(NP2)	\$98.00	\$15.00	
Frame for Voice	FCEALVI(NP1)	\$112.00	\$20.00	
Over 1.536 thru 4 Mbps				
Frame for LAN	FCEALVI(OP3)	\$180.00	\$10.00	
Frame for SNA	FCEALVI(OP2)	\$200.00	\$15.00	
Frame for Voice	FCEALVI(OP1)	\$225.00	\$20.00	

\* When the customer also subscribes to the Company's non-regulated 1.5 Mbps Dedicated IP Service, the 1.5 PVC (InterLATA) nonrecurring charge will not apply. (N)  
(N)

ISSUED:  
May 31, 2006

BY: Chad Eckhart  
Vice President, Regulatory Affairs  
6450 Sprint Parkway  
Overland Park, Kansas 66251

EFFECTIVE:  
June 30, 2006

GENERAL EXCHANGE TARIFF

SPRINT MISSOURI, INC.  
d/b/a SPRINT

Second Revised Page 20  
Cancels First Revised Page 20

FRAME RELAY SERVICE

VIII. RATES AND CHARGES (Cont'd)

D. Permanent Virtual Circuit (PVC) - InterLATA (Cont'd)

	S&E Code	Monthly Rate	NRC	(AT) (AT)
Over 40 thru 48 Kbps				
Frame for LAN	FCEALVI(FP3)	\$15.00	\$10.00	
Frame for SNA	FCEALVI(FP2)	\$16.00	\$15.00	
Frame for Voice	FCEALVI(FP1)	\$18.00	\$20.00	
Over 48 thru 56 Kbps				
Frame for LAN	FCEALVI(GP3)	\$18.00	\$10.00	
Frame for SNA	FCEALVI(GP2)	\$20.00	\$15.00	
Frame for Voice	FCEALVI(GP1)	\$22.00	\$20.00	
Over 56 thru 64 Kbps				
Frame for LAN	FCEALVI(HP3)	\$21.00	\$10.00	
Frame for SNA	FCEALVI(HP2)	\$23.00	\$15.00	
Frame for Voice	FCEALVI(HP1)	\$27.00	\$20.00	
Over 64 thru 128 Kbps				
Frame for LAN	FCEALVI(IP3)	\$29.00	\$10.00	
Frame for SNA	FCEALVI(IP2)	\$32.00	\$15.00	
Frame for Voice	FCEALVI(IP1)	\$36.00	\$20.00	
Over 128 thru 256 Kbps				
Frame for LAN	FCEALVI(JP3)	\$38.00	\$10.00	
Frame for SNA	FCEALVI(JP2)	\$43.00	\$15.00	
Frame for Voice	FCEALVI(JP1)	\$48.00	\$20.00	
Over 256 thru 384 Kbps				
Frame for LAN	FCEALVI(KP3)	\$45.00	\$10.00	
Frame for SNA	FCEALVI(KP2)	\$49.00	\$15.00	
Frame for Voice	FCEALVI(KP1)	\$57.00	\$20.00	
Over 384 thru 512 Kbps				
Frame for LAN	FCEALVI(LP3)	\$51.00	\$10.00	
Frame for SNA	FCEALVI(LP2)	\$57.00	\$15.00	
Frame for Voice	FCEALVI(LP1)	\$64.00	\$20.00	
Over 512 thru 768 Kbps				
Frame for LAN	FCEALVI(MP3)	\$58.00	\$10.00	
Frame for SNA	FCEALVI(MP2)	\$64.00	\$15.00	
Frame for Voice	FCEALVI(MP1)	\$73.00	\$20.00	
Over 768 thru 1.536 Mbps				
Frame for LAN	FCEALVI(NP3)	\$89.00	\$10.00	
Frame for SNA	FCEALVI(NP2)	\$98.00	\$15.00	
Frame for Voice	FCEALVI(NP1)	\$112.00	\$20.00	
Over 1.536 thru 4 Mbps				
Frame for LAN	FCEALVI(OP3)	\$180.00	\$10.00	
Frame for SNA	FCEALVI(OP2)	\$200.00	\$15.00	
Frame for Voice	FCEALVI(OP1)	\$225.00	\$20.00	

ISSUED:  
January 26, 2000

BY: Richard D. Lawson  
State Executive, External Affairs  
319 Madison  
Jefferson City, MO 65101

EFFECTIVE:  
March 24, 2000

**Cancelled**

June 30, 2006

Missouri Public  
Service Commission

**Filed**

Missouri Public  
Service Commission

GENERAL EXCHANGE TARIFF

SPRINT MISSOURI, INC.  
d/b/a SPRINT

First Revised Page 20  
Cancels Original Page 20

FRAME RELAY SERVICE

Missouri Public  
Service Commission

VIII. RATES AND CHARGES (Cont'd)

REC'D OCT 27 1999

D. Permanent Virtual Circuit (PVC) - InterLATA (Cont'd)

Over 40 thru 48 Kbps				
Frame for LAN	FCEALVI (FP3)	\$15.00	\$10.00	(CR)
Frame for SNA	FCEALVI (FP2)	\$16.00	\$15.00	
Frame for Voice	FCEALVI (FP1)	\$18.00	\$20.00	(CR)
Over 48 thru 56 Kbps				
Frame for LAN	FCEALVI (GP3)	\$18.00	\$10.00	(CR)
Frame for SNA	FCEALVI (GP2)	\$20.00	\$15.00	
Frame for Voice	FCEALVI (GP1)	\$22.00	\$20.00	(CR)
Over 56 thru 64 Kbps				
Frame for LAN	FCEALVI (HP3)	\$21.00	\$10.00	(CR)
Frame for SNA	FCEALVI (HP2)	\$23.00	\$15.00	
Frame for Voice	FCEALVI (HP1)	\$27.00	\$20.00	(CR)
Over 64 thru 128 Kbps				
Frame for LAN	FCEALVI (IP3)	\$29.00	\$10.00	(CR)
Frame for SNA	FCEALVI (IP2)	\$32.00	\$15.00	
Frame for Voice	FCEALVI (IP1)	\$36.00	\$20.00	(CR)
Over 128 thru 256 Kbps				
Frame for LAN	FCEALVI (JP3)	\$38.00	\$10.00	(CR)
Frame for SNA	FCEALVI (JP2)	\$43.00	\$15.00	
Frame for Voice	FCEALVI (JP1)	\$48.00	\$20.00	(CR)
Over 256 thru 384 Kbps				
Frame for LAN	FCEALVI (KP3)	\$45.00	\$10.00	(CR)
Frame for SNA	FCEALVI (KP2)	\$49.00	\$15.00	
Frame for Voice	FCEALVI (KP1)	\$57.00	\$20.00	(CR)
Over 384 thru 512 Kbps				
Frame for LAN	FCEALVI (LP3)	\$51.00	\$10.00	(CR)
Frame for SNA	FCEALVI (LP2)	\$57.00	\$15.00	
Frame for Voice	FCEALVI (LP1)	\$64.00	\$20.00	(CR)
Over 512 thru 768 Kbps				
Frame for LAN	FCEALVI (MP3)	\$58.00	\$10.00	(CR)
Frame for SNA	FCEALVI (MP2)	\$64.00	\$15.00	
Frame for Voice	FCEALVI (MP1)	\$73.00	\$20.00	(CR)
Over 768 thru 1.536 Mbps				
Frame for LAN	FCEALVI (NP3)	\$89.00	\$10.00	(CR)
Frame for SNA	FCEALVI (NP2)	\$98.00	\$15.00	
Frame for Voice	FCEALVI (NP1)	\$112.00	\$20.00	(CR)
Over 1.536 thru 4 Mbps				
Frame for LAN	FCEALVI (OP3)	\$180.00	\$10.00	
Frame for SNA	FCEALVI (OP2)	\$200.00	\$15.00	(CR)
Frame for Voice	FCEALVI (OP1)	\$225.00	\$20.00	

**CANCELLED**

MAR 24 2000

By *2nd RPAO*  
Public Service Commission  
MISSOURI

ISSUED:  
October 27, 1999

BY: Richard D. Lawson  
State Executive, External Affairs  
319 Madison  
Jefferson City, MO 65101

Missouri Public  
Service Commission

FILED NOV 23 1999

EFFECTIVE:  
November 26, 1999

GENERAL EXCHANGE TARIFF

SPRINT MISSOURI, INC.  
d/b/a SPRINT

**RECEIVED**  
Original Page 20  
**MAY 15 1998**

FRAME RELAY SERVICE

**MO. PUBLIC SERVICE COMM**

VIII. RATES AND CHARGES (Cont'd)

D. Permanent Virtual Circuit (PVC) - InterLATA (Cont'd)

Over 40 thru 48 Kbps			
Frame for LAN	FCEALVI (FP3)	\$14.00	\$10.00
Frame for SNA	FCEALVI (FP2)	\$15.00	\$15.00
Frame for Voice	FCEALVI (FP1)	\$17.00	\$20.00
Over 48 thru 56 Kbps			
Frame for LAN	FCEALVI (GP3)	\$17.00	\$10.00
Frame for SNA	FCEALVI (GP2)	\$19.00	\$15.00
Frame for Voice	FCEALVI (GP1)	\$21.00	\$20.00
Over 56 thru 64 Kbps			
Frame for LAN	FCEALVI (HP3)	\$20.00	\$10.00
Frame for SNA	FCEALVI (HP2)	\$22.00	\$15.00
Frame for Voice	FCEALVI (HP1)	\$25.00	\$20.00
Over 64 thru 128 Kbps			
Frame for LAN	FCEALVI (IP3)	\$27.00	\$10.00
Frame for SNA	FCEALVI (IP2)	\$30.00	\$15.00
Frame for Voice	FCEALVI (IP1)	\$34.00	\$20.00
Over 128 thru 256 Kbps			
Frame for LAN	FCEALVI (JP3)	\$36.00	\$10.00
Frame for SNA	FCEALVI (JP2)	\$40.00	\$15.00
Frame for Voice	FCEALVI (JP1)	\$45.00	\$20.00
Over 256 thru 384 Kbps			
Frame for LAN	FCEALVI (KP3)	\$42.00	\$10.00
Frame for SNA	FCEALVI (KP2)	\$46.00	\$15.00
Frame for Voice	FCEALVI (KP1)	\$53.00	\$20.00
Over 384 thru 512 Kbps			
Frame for LAN	FCEALVI (LP3)	\$48.00	\$10.00
Frame for SNA	FCEALVI (LP2)	\$53.00	\$15.00
Frame for Voice	FCEALVI (LP1)	\$60.00	\$20.00
Over 512 thru 768 Kbps			
Frame for LAN	FCEALVI (MP3)	\$54.00	\$10.00
Frame for SNA	FCEALVI (MP2)	\$60.00	\$15.00
Frame for Voice	FCEALVI (MP1)	\$68.00	\$20.00
Over 768 thru 1.536 Mbps			
Frame for LAN	FCEALVI (NP3)	\$83.00	\$10.00
Frame for SNA	FCEALVI (NP2)	\$91.00	\$15.00
Frame for Voice	FCEALVI (NP1)	\$104.00	\$20.00
Over 1.536 thru 4 Mbps			
Frame for LAN	FCEALVI (OP3)	\$180.00	\$10.00
Frame for SNA	FCEALVI (OP2)	\$198.00	\$15.00
Frame for Voice	FCEALVI (OP1)	\$225.00	\$20.00

**CANCELLED**

NOV 26 1999  
By *LS RS #20*  
Public Service Commission  
MISSOURI

ISSUED:  
May 15, 1998

BY: Richard D. Lawson  
State Executive, External Affairs  
319 Madison  
Jefferson City, MO 65101

**FILED**  
EFFECTIVE:  
June 16, 1998  
**JUN 16 1998**

**MISSOURI**  
Public Service Commission

GENERAL EXCHANGE TARIFF

Embarq Missouri, Inc.  
d/b/a Embarq

Sixth Revised Page 21  
Cancels Fifth Revised Page 21

FRAME RELAY SERVICE

VIII. RATES AND CHARGES (Cont'd)

D. Permanent Virtual Circuit (PVC) – InterLATA (Cont'd)

	<u>S&amp;E Code</u>	<u>Monthly Rate</u>	<u>NRC</u>	(C)
Over 4 thru 10 Mbps				
Frame for LAN	FCEALVI(PP3)	\$176.00	\$10.00	
Frame for SNA	FCEALVI(PP2)	\$176.00	\$15.00	
Frame for Voice	FCEALVI(PP1)	\$176.00	\$20.00	
Over 10 thru 16 Mbps				
Frame for LAN	FCEALVI(QP3)	\$249.00	\$10.00	
Frame for SNA	FCEALVI(QP2)	\$249.00	\$15.00	
Frame for Voice	FCEALVI(QP1)	\$249.00	\$20.00	
Over 16 thru 34 Mbps				
Frame for LAN	FCEALVI(RP3)	\$275.00	\$10.00	
Frame for SNA	FCEALVI(RP2)	\$275.00	\$15.00	
Frame for Voice	FCEALVI(RP1)	\$275.00	\$20.00	
Over 34 thru 44.210 Mbps				
Frame for LAN	FCEALVI(SP3)	\$407.00	\$10.00	
Frame for SNA	FCEALVI(SP2)	\$407.00	\$15.00	
Frame for Voice	FCEALVI(SP1)	\$407.00	\$20.00	

VIII. RATES AND CHARGES (Cont'd)

E. An administrative charge will be applied whenever a change is made to a customer's frame relay configuration (including changes to an existing group's addressing), at the customer's request. Such changes are defined as those rearrangements necessary to add, delete or rearrange the customer's configuration and changes of CIR on a PVC.

Administrative Charge (Nonrecurring) \$50.00

F. Private Network-to-Network Interface (Private NNI)

1.544 Mbps NNI	<u>S&amp;E Code</u>	<u>Monthly Rate</u>	<u>NRC</u>
Month to month	FCECRTA	\$210.00	\$395.00
12-23 months	FCECRTA(1YR)	\$185.00	N/A
24-35 months	FCECRTA(2YR)	\$165.00	N/A
36-59 months	FCECRTA(3YR)	\$145.00	N/A
60-84 months	FCECRTA(5YR)	\$135.00	N/A

(D)  
(D)

ISSUED:  
March 6, 2009

BY: Darlene N. Terry  
Manager - Tariffs  
5454 W. 110th Street  
Overland Park, Kansas 66211

EFFECTIVE:  
April 5, 2009

GENERAL EXCHANGE TARIFF

Embarq Missouri, Inc.  
d/b/a Embarq

Fifth Revised Page 21  
Cancels Fourth Revised Page 21

FRAME RELAY SERVICE

VIII. RATES AND CHARGES (Cont'd)

D. Permanent Virtual Circuit (PVC) – InterLATA (Cont'd)

	<u>S&amp;E Code</u>	<u>Monthly Rate</u>	<u>NRC</u> <sup>(1)</sup>	
Over 4 thru 10 Mbps				
Frame for LAN	FCEALVI(PP3)	<b>\$176.00</b>	\$10.00	(I)
Frame for SNA	FCEALVI(PP2)	<b>\$176.00</b>	\$15.00	(I)
Frame for Voice	FCEALVI(PP1)	<b>\$176.00</b>	\$20.00	(R)
Over 10 thru 16 Mbps				
Frame for LAN	FCEALVI(QP3)	<b>\$249.00</b>	\$10.00	(I)
Frame for SNA	FCEALVI(QP2)	<b>\$249.00</b>	\$15.00	(I)
Frame for Voice	FCEALVI(QP1)	<b>\$249.00</b>	\$20.00	(R)
Over 16 thru 34 Mbps				
Frame for LAN	FCEALVI(RP3)	<b>\$275.00</b>	\$10.00	(I)
Frame for SNA	FCEALVI(RP2)	<b>\$275.00</b>	\$15.00	(I)
Frame for Voice	FCEALVI(RP1)	<b>\$275.00</b>	\$20.00	(R)
Over 34 thru 44.210 Mbps				
Frame for LAN	FCEALVI(SP3)	<b>\$407.00</b>	\$10.00	(I)
Frame for SNA	FCEALVI(SP2)	<b>\$407.00</b>	\$15.00	(I)
Frame for Voice	FCEALVI(SP1)	<b>\$407.00</b>	\$20.00	(R)

VIII. RATES AND CHARGES (Cont'd)

E. An administrative charge will be applied whenever a change is made to a customer's frame relay configuration (including changes to an existing group's addressing), at the customer's request. Such changes are defined as those rearrangements necessary to add, delete or rearrange the customer's configuration and changes of CIR on a PVC.

Administrative Charge (Nonrecurring) \$50.00

F. Private Network-to-Network Interface (Private NNI)

1.544 Mbps NNI	<u>S&amp;E Code</u>	<u>Monthly Rate</u>	<u>NRC</u>
Month to month	FCECRTA	\$210.00	\$395.00
12-23 months	FCECRTA(1YR)	\$185.00	N/A
24-35 months	FCECRTA(2YR)	\$165.00	N/A
36-59 months	FCECRTA(3YR)	\$145.00	N/A
60-84 months	FCECRTA(5YR)	\$135.00	N/A

<sup>(1)</sup> When the customer also subscribes to the Company's non-regulated Dedicated IP Service, the PVC nonrecurring charge will not apply.

ISSUED:  
January 20, 2009

BY: Darlene N. Terry  
Manager - Tariffs  
5454 W. 110th Street  
Overland Park, Kansas 66211

EFFECTIVE:  
February 1, 2009

GENERAL EXCHANGE TARIFF

Embarq Missouri, Inc.  
d/b/a Embarq

Fourth Revised Page 21  
Cancels Third Revised Page 21

FRAME RELAY SERVICE

VIII. RATES AND CHARGES (Cont'd)

D. Permanent Virtual Circuit (PVC) – InterLATA (Cont'd)

	<u>S&amp;E Code</u>	<u>Monthly Rate</u>	<u>NRC</u> <sup>(1)</sup>	
Over 4 thru 10 Mbps				
Frame for LAN	FCEALVI(PP3)	<b>\$170.00</b>	\$10.00	(R)
Frame for SNA	FCEALVI(PP2)	<b>\$170.00</b>	\$15.00	
Frame for Voice	FCEALVI(PP1)	<b>\$215.00</b>	\$20.00	(R)
Over 10 thru 16 Mbps				
Frame for LAN	FCEALVI(QP3)	<b>\$240.00</b>	\$10.00	(R)
Frame for SNA	FCEALVI(QP2)	<b>\$240.00</b>	\$15.00	
Frame for Voice	FCEALVI(QP1)	<b>\$305.00</b>	\$20.00	(R)
Over 16 thru 34 Mbps				
Frame for LAN	FCEALVI(RP3)	<b>\$270.00</b>	\$10.00	(R)
Frame for SNA	FCEALVI(RP2)	<b>\$270.00</b>	\$15.00	
Frame for Voice	FCEALVI(RP1)	<b>\$335.00</b>	\$20.00	(R)
Over 34 thru 44.210 Mbps				
Frame for LAN	FCEALVI(SP3)	<b>\$395.00</b>	\$10.00	(R)
Frame for SNA	FCEALVI(SP2)	<b>\$395.00</b>	\$15.00	
Frame for Voice	FCEALVI(SP1)	<b>\$500.00</b>	\$20.00	(R)

VIII. RATES AND CHARGES (Cont'd)

E. An administrative charge will be applied whenever a change is made to a customer's frame relay configuration (including changes to an existing group's addressing), at the customer's request. Such changes are defined as those rearrangements necessary to add, delete or rearrange the customer's configuration and changes of CIR on a PVC.

Administrative Charge (Nonrecurring) \$50.00

F. Private Network-to-Network Interface (Private NNI)

1.544 Mbps NNI	<u>S&amp;E Code</u>	<u>Monthly Rate</u>	<u>NRC</u>
Month to month	FCECRTA	\$210.00	\$395.00
12-23 months	FCECRTA(1YR)	\$185.00	N/A
24-35 months	FCECRTA(2YR)	\$165.00	N/A
36-59 months	FCECRTA(3YR)	\$145.00	N/A
60-84 months	FCECRTA(5YR)	\$135.00	N/A

<sup>(1)</sup> When the customer also subscribes to the Company's non-regulated Dedicated IP Service, the PVC nonrecurring charge will not apply.

ISSUED:  
December 3, 2007

BY: Darlene N. Terry  
Manager - Tariffs  
5454 W. 110th Street  
Overland Park, Kansas 66211

EFFECTIVE:  
January 30, 2008



GENERAL EXCHANGE TARIFF

**Embarq Missouri, Inc.**  
d/b/a **Embarq**

Third Revised Page 21 (C)  
Cancels Second Revised Page 21 (C)

FRAME RELAY SERVICE

VIII. RATES AND CHARGES (Cont'd)

D. Permanent Virtual Circuit (PVC) – InterLATA (Cont'd)

	<u>S&amp;E Code</u>	<u>Monthly Rate</u>	<u>NRC</u> <sup>(1)</sup>	(C)
Over 4 thru 10 Mbps				
Frame for LAN	FCEALVI(PP3)	\$255.00	\$10.00	
Frame for SNA	FCEALVI(PP2)	\$285.00	\$15.00	
Frame for Voice	FCEALVI(PP1)	\$320.00	\$20.00	
Over 10 thru 16 Mbps				
Frame for LAN	FCEALVI(QP3)	\$360.00	\$10.00	
Frame for SNA	FCEALVI(QP2)	\$400.00	\$15.00	
Frame for Voice	FCEALVI(QP1)	\$455.00	\$20.00	
Over 16 thru 34 Mbps				
Frame for LAN	FCEALVI(RP3)	\$405.00	\$10.00	
Frame for SNA	FCEALVI(RP2)	\$445.00	\$15.00	
Frame for Voice	FCEALVI(RP1)	\$505.00	\$20.00	
Over 34 thru 44.210 Mbps				
Frame for LAN	FCEALVI(SP3)	\$595.00	\$10.00	
Frame for SNA	FCEALVI(SP2)	\$655.00	\$15.00	
Frame for Voice	FCEALVI(SP1)	\$745.00	\$20.00	

VIII. RATES AND CHARGES (Cont'd)

E. An administrative charge will be applied whenever a change is made to a customer's frame relay configuration (including changes to an existing group's addressing), at the customer's request. Such changes are defined as those rearrangements necessary to add, delete or rearrange the customer's configuration and changes of CIR on a PVC.

Administrative Charge (Nonrecurring) \$50.00

F. Private Network-to-Network Interface (Private NNI)

1.544 Mbps NNI	<u>S&amp;E Code</u>	<u>Monthly Rate</u>	<u>NRC</u>
Month to month	FCECRTA	\$210.00	\$395.00
12-23 months	FCECRTA(1YR)	\$185.00	N/A
24-35 months	FCECRTA(2YR)	\$165.00	N/A
36-59 months	FCECRTA(3YR)	\$145.00	N/A
60-84 months	FCECRTA(5YR)	\$135.00	N/A

<sup>(1)</sup> **When the customer also subscribes to the Company's non-regulated Dedicated IP Service, the PVC nonrecurring charge will not apply.** (N)  
(N)

ISSUED:  
March 16, 2007

BY: Darlene N. Terry  
Manager - Tariffs  
5454 W. 110th Street  
Overland Park, Kansas 66211

EFFECTIVE:  
April 15, 2007

GENERAL EXCHANGE TARIFF

SPRINT MISSOURI, INC.  
d/b/a SPRINT

Second Revised Page 21  
Cancels First Revised Page 21

FRAME RELAY SERVICE

VIII. RATES AND CHARGES (Cont'd)

D. Permanent Virtual Circuit (PVC) - InterLATA (Cont'd)

	S&E Code	Monthly Rate	NRC	(AT) (AT)
Over 4 thru 10 Mbps				
Frame for LAN	FCEALVI(PP3)	\$255.00	\$10.00	
Frame for SNA	FCEALVI(PP2)	\$285.00	\$15.00	
Frame for Voice	FCEALVI(PP1)	\$320.00	\$20.00	
Over 10 thru 16 Mbps				
Frame for LAN	FCEALVI(QP3)	\$360.00	\$10.00	
Frame for SNA	FCEALVI(QP2)	\$400.00	\$15.00	
Frame for Voice	FCEALVI(QP1)	\$455.00	\$20.00	
Over 16 thru 34 Mbps				
Frame for LAN	FCEALVI(RP3)	\$405.00	\$10.00	
Frame for SNA	FCEALVI(RP2)	\$445.00	\$15.00	
Frame for Voice	FCEALVI(RP1)	\$505.00	\$20.00	
Over 34 thru 44.210 Mbps				
Frame for LAN	FCEALVI(SP3)	\$595.00	\$10.00	
Frame for SNA	FCEALVI(SP2)	\$655.00	\$15.00	
Frame for Voice	FCEALVI(SP1)	\$745.00	\$20.00	

VIII. RATES AND CHARGES (Cont'd)

E. An administrative charge will be applied whenever a change is made to a customer's frame relay configuration (including changes to an existing group's addressing), at the customer's request. Such changes are defined as those rearrangements necessary to add, delete or rearrange the customer's configuration and changes of CIR on a PVC.

Administrative Charge (Nonrecurring) \$50.00

F. Private Network-to-Network Interface (Private NNI)

1.544 Mbps NNI	S&E Code	Monthly Rate	NRC
Month to month	FCECRTA	\$210.00	\$395.00
12-23 months	FCECRTA(1YR)	\$185.00	N/A
24-35 months	FCECRTA(2YR)	\$165.00	N/A
36-59 months	FCECRTA(3YR)	\$145.00	N/A
60-84 months	FCECRTA(5YR)	\$135.00	N/A

ISSUED:  
January 26, 2000

BY: Richard D. Lawson  
State Executive, External Affairs  
319 Madison  
Jefferson City, MO 65101

EFFECTIVE:  
March 24, 2000

GENERAL EXCHANGE TARIFF

SPRINT MISSOURI, INC.  
d/b/a SPRINT

First Revised Page 21  
Cancels Original Page 21

Missouri Public  
Service Commission

FRAME RELAY SERVICE

REC'D OCT 27 1999

VIII. RATES AND CHARGES (Cont'd)

D. Permanent Virtual Circuit (PVC) - InterLATA (Cont'd)

Over 4 thru 10 Mbps				
Frame for LAN	FCEALVI(PP3)	\$255.00	\$10.00	(CR)
Frame for SNA	FCEALVI(PP2)	\$285.00	\$15.00	
Frame for Voice	FCEALVI(PP1)	\$320.00	\$20.00	(CR)
Over 10 thru 16 Mbps				
Frame for LAN	FCEALVI(QP3)	\$360.00	\$10.00	(CR)
Frame for SNA	FCEALVI(QP2)	\$400.00	\$15.00	
Frame for Voice	FCEALVI(QP1)	\$455.00	\$20.00	(CR)
Over 16 thru 34 Mbps				
Frame for LAN	FCEALVI(RP3)	\$405.00	\$10.00	(CR)
Frame for SNA	FCEALVI(RP2)	\$445.00	\$15.00	
Frame for Voice	FCEALVI(RP1)	\$505.00	\$20.00	(CR)
Over 34 thru 44.210 Mbps				
Frame for LAN	FCEALVI(SP3)	\$595.00	\$10.00	(CR)
Frame for SNA	FCEALVI(SP2)	\$655.00	\$15.00	
Frame for Voice	FCEALVI(SP1)	\$745.00	\$20.00	(CR)

VIII. RATES AND CHARGES (Cont'd)

E. An administrative charge will be applied whenever a change is made to a customer's frame relay configuration (including changes to an existing group's addressing), at the customer's request. Such changes are defined as those rearrangements necessary to add, delete or rearrange the customer's configuration and changes of CIR on a PVC.

Administrative Charge (Nonrecurring) \$50.00

F. Private Network-to-Network Interface (Private NNI)

1.544 Mbps NNI	S&E Code	Monthly Rate	NRC	
Month to month	FCECRTA	\$210.00	\$395.00	(CR)
12-23 months	FCECRTA(1YR)	\$185.00	N/A	
24-35 months	FCECRTA(2YR)	\$165.00	N/A	
36-59 months	FCECRTA(3YR)	\$145.00	N/A	
60-84 months	FCECRTA(5YR)	\$135.00	N/A	(CR)

**CANCELLED**

MAR 24 2000  
By *2nd RP 21*  
Public Service Commission  
MISSOURI

Missouri Public  
Service Commission

FILED NOV 25 1999

ISSUED:  
October 27, 1999

BY: Richard D. Lawson  
State Executive, External Affairs  
319 Madison  
Jefferson City, MO 65101

EFFECTIVE:  
November 26, 1999

GENERAL EXCHANGE TARIFF

SPRINT MISSOURI, INC.  
d/b/a SPRINT

RECEIVED

Original Page 21  
MAY 15 1998

FRAME RELAY SERVICE

MO. PUBLIC SERVICE COMM

VIII. RATES AND CHARGES (Cont'd)

D. Permanent Virtual Circuit (PVC) - InterLATA (Cont'd)

Over 4 thru 10 Mbps			
Frame for LAN	FCEALVI(PP3)	\$240.00	\$10.00
Frame for SNA	FCEALVI(PP2)	\$264.00	\$15.00
Frame for Voice	FCEALVI(PP1)	\$300.00	\$20.00
Over 10 thru 16 Mbps			
Frame for LAN	FCEALVI(QP3)	\$339.00	\$10.00
Frame for SNA	FCEALVI(QP2)	\$373.00	\$15.00
Frame for Voice	FCEALVI(QP1)	\$423.00	\$20.00
Over 16 thru 34 Mbps			
Frame for LAN	FCEALVI(RP3)	\$375.00	\$10.00
Frame for SNA	FCEALVI(RP2)	\$413.00	\$15.00
Frame for Voice	FCEALVI(RP1)	\$469.00	\$20.00
Over 34 thru 44.210 Mbps			
Frame for LAN	FCEALVI(SP3)	\$555.00	\$10.00
Frame for SNA	FCEALVI(SP2)	\$611.00	\$15.00
Frame for Voice	FCEALVI(SP1)	\$694.00	\$20.00

VIII. RATES AND CHARGES (Cont'd)

E. An administrative charge will be applied whenever a change is made to a customer's frame relay configuration (including changes to an existing group's addressing), at the customer's request. Such changes are defined as those rearrangements necessary to add, delete or rearrange the customer's configuration and changes of CIR on a PVC.

Administrative Charge (Nonrecurring)                     \$50.00

F. Private Network-to-Network Interface (Private NNI)

1.544 Mbps NNI	S&E Code	Monthly Rate	NRC
Month to month	FCECRTA	\$195.00	\$375.00
12-23 months	FCECRTA(1YR)	\$175.00	N/A
24-35 months	FCECRTA(2YR)	\$155.00	N/A
36-59 months	FCECRTA(3YR)	\$135.00	N/A
60-84 months	FCECRTA(5YR)	\$125.00	N/A

**CANCELLED**

NOV 26 1999

By: *[Signature]*  
Public Service Commission  
MISSOURI

ISSUED:  
May 15, 1998

BY: Richard D. Lawson  
State Executive, External Affairs  
319 Madison  
Jefferson City, MO 65101

EFFECTIVE:  
June 16 1998

**FILED**  
MISSOURI  
Public Service Commission

GENERAL EXCHANGE TARIFF

**Embarq Missouri, Inc.  
d/b/a Embarq**

Third Revised Page 22 (C)  
Cancels Second Revised Page 22 (C)

FRAME RELAY SERVICE

**VIII. RATES AND CHARGES (Cont'd)**

(N)

G. Frame To ATM Inter-Networking Link

CIR, per PVC	S&E Code	Monthly Rate	NRC
Over 768 thru 1.536 Mbps	FCEALVI(FA5)	\$75.00	\$50.00

(D)  
|  
(D)  
|  
(D)  
|  
(D)

H. Gateway Service

CIR, per PVC	S&E Code	Monthly Rate	NRC
Over 0 thru 8 Kbps	FCEALMT(008)	\$10.00	\$50.00
Over 8 thru 16 Kbps	FCEALMT(016)	\$20.00	\$50.00
Over 16 thru 24 Kbps	FCEALMT(024)	\$30.00	\$50.00
Over 24 thru 32 Kbps	FCEALMT(032)	\$40.00	\$50.00
Over 32 thru 40 Kbps	FCEALMT(040)	\$45.00	\$50.00
Over 40 thru 48 Kbps	FCEALMT(048)	\$50.00	\$50.00
Over 48 thru 56 Kbps	FCEALMT(056)	\$55.00	\$50.00
Over 56 thru 64 Kbps	FCEALMT(064)	\$60.00	\$50.00
Over 64 thru 128 Kbps	FCEALMT(128)	\$70.00	\$50.00
Over 128 thru 256 Kbps	FCEALMT(256)	\$80.00	\$50.00
Over 256 thru 384 Kbps	FCEALMT(384)	\$90.00	\$50.00
Over 384 thru 512 Kbps	FCEALMT(512)	\$100.00	\$50.00
Over 512 thru 768 Kbps	FCEALMT(768)	\$110.00	\$50.00
Over 768 thru 1.536 Mbps	FCEALMT(1M)	\$125.00	\$50.00

I. Utilization Reports

Per Port	S&E Code	Monthly Rate	NRC
Month to month	FCEALUN RMM	\$18.95	\$50.00
12 - 23 months	FCEALUN R12	\$16.95	\$50.00
24 - 35 months	FCEALUN R24	\$14.95	\$50.00
36 - 59 months	FCEALUN R36	\$12.95	\$50.00
60 - 84 months	FCEALUN R60	\$10.95	\$50.00

ISSUED:  
January 20, 2009

BY: Darlene N. Terry  
Manager - Tariffs  
5454 W. 110th Street  
Overland Park, Kansas 66211

EFFECTIVE:  
February 1, 2009

GENERAL EXCHANGE TARIFF

SPRINT MISSOURI, INC.  
d/b/a SPRINT

Second Revised Page 22  
Cancels First Revised Page 22

FRAME RELAY SERVICE

G. Frame To ATM Inter-Networking Link

CIR, per PVC	<u>S&amp;E Code</u>	<u>Monthly Rate</u>	<u>NRC</u>
Over 0 thru 256 Kbps	FCEALVI(FA1)	\$20.00	\$50.00
Over 256 thru 384 Kbps	FCEALVI(FA2)	\$30.00	\$50.00
Over 384 thru 512 Kbps	FCEALVI(FA3)	\$40.00	\$50.00
Over 512 thru 768 Kbps	FCEALVI(FA4)	\$50.00	\$50.00
Over 768 thru 1.536 Mbps	FCEALVI(FA5)	\$75.00	\$50.00
Over 1.536 thru 4 Mbps	FCEALVI(FA6)	\$120.00	\$50.00
Over 4 thru 10 Mbps	FCEALVI(FA7)	\$170.00	\$50.00
Over 10 thru 16 Mbps	FCEALVI(FA8)	\$240.00	\$50.00
Over 16 thru 34 Mbps	FCEALVI(FA9)	\$270.00	\$50.00
Over 34 thru 44.736 Mbps	FCEALVI(FA0)	\$405.00	\$50.00

H. Gateway Service

CIR, per PVC	<u>S&amp;E Code</u>	<u>Monthly Rate</u>	<u>NRC</u>
Over 0 thru 8 Kbps	FCEALMT(008)	\$10.00	\$50.00
Over 8 thru 16 Kbps	FCEALMT(016)	\$20.00	\$50.00
Over 16 thru 24 Kbps	FCEALMT(024)	\$30.00	\$50.00
Over 24 thru 32 Kbps	FCEALMT(032)	\$40.00	\$50.00
Over 32 thru 40 Kbps	FCEALMT(040)	\$45.00	\$50.00
Over 40 thru 48 Kbps	FCEALMT(048)	\$50.00	\$50.00
Over 48 thru 56 Kbps	FCEALMT(056)	\$55.00	\$50.00
Over 56 thru 64 Kbps	FCEALMT(064)	\$60.00	\$50.00
Over 64 thru 128 Kbps	FCEALMT(128)	\$70.00	\$50.00
Over 128 thru 256 Kbps	FCEALMT(256)	\$80.00	\$50.00
Over 256 thru 384 Kbps	FCEALMT(384)	\$90.00	\$50.00
Over 384 thru 512 Kbps	FCEALMT(512)	\$100.00	\$50.00
Over 512 thru 768 Kbps	FCEALMT(768)	\$110.00	\$50.00
Over 768 thru 1.536 Mbps	FCEALMT(1M)	\$125.00	\$50.00

I. **Utilization Reports**

<u>Per Port</u>	<u>S&amp;E Code</u>	<u>Monthly Rate</u>	<u>NRC</u>
<b>Month to month</b>	<b>FCEALUN RMM</b>	<b>\$18.95</b>	<b>\$50.00</b>
<b>12 - 23 months</b>	<b>FCEALUN R12</b>	<b>\$16.95</b>	<b>\$50.00</b>
<b>24 - 35 months</b>	<b>FCEALUN R24</b>	<b>\$14.95</b>	<b>\$50.00</b>
<b>36 - 59 months</b>	<b>FCEALUN R36</b>	<b>\$12.95</b>	<b>\$50.00</b>
<b>60 - 84 months</b>	<b>FCEALUN R60</b>	<b>\$10.95</b>	<b>\$50.00</b>

(N)  
|  
(N)

ISSUED:  
March 30, 2001

BY: Richard D. Lawson  
State Executive, External Affairs  
319 Madison  
Jefferson City, MO 65101

EFFECTIVE:  
April 30, 2001

CANCELLED  
February 1, 2009  
Missouri Public  
Service Commission  
JI-2009-0528

**FILED**  
**MO PSC**

GENERAL EXCHANGE TARIFF

SPRINT MISSOURI, INC.  
d/b/a SPRINT

First Revised Page 22  
Cancels Original Page 22

FRAME RELAY SERVICE

Missouri Public  
Service Commission

G. Frame To ATM Inter-Networking Link

REC'D OCT 27 1999

CIR, per PVC	S&E Code	Monthly Rate	NRC
Over 0 thru 256 Kbps	FCEALVI (FA1)	\$20.00	\$50.00
Over 256 thru 384 Kbps	FCEALVI (FA2)	\$30.00	\$50.00
Over 384 thru 512 Kbps	FCEALVI (FA3)	\$40.00	\$50.00
Over 512 thru 768 Kbps	FCEALVI (FA4)	\$50.00	\$50.00
Over 768 thru 1.536 Mbps	FCEALVI (FA5)	\$75.00	\$50.00
Over 1.536 thru 4 Mbps	FCEALVI (FA6)	\$120.00	\$50.00
Over 4 thru 10 Mbps	FCEALVI (FA7)	\$170.00	\$50.00 (CR)
Over 10 thru 16 Mbps	FCEALVI (FA8)	\$240.00	\$50.00
Over 16 thru 34 Mbps	FCEALVI (FA9)	\$270.00	\$50.00
Over 34 thru 44.736 Mbps	FCEALVI (FA0)	\$405.00	\$50.00 (CR)

H. Gateway Service

CIR, per PVC	S&E Code	Monthly Rate	NRC
Over 0 thru 8 Kbps	FCEALMT (008)	\$10.00	\$50.00
Over 8 thru 16 Kbps	FCEALMT (016)	\$20.00	\$50.00
Over 16 thru 24 Kbps	FCEALMT (024)	\$30.00	\$50.00
Over 24 thru 32 Kbps	FCEALMT (032)	\$40.00	\$50.00
Over 32 thru 40 Kbps	FCEALMT (040)	\$45.00	\$50.00 (CR)
Over 40 thru 48 Kbps	FCEALMT (048)	\$50.00	\$50.00
Over 48 thru 56 Kbps	FCEALMT (056)	\$55.00	\$50.00
Over 56 thru 64 Kbps	FCEALMT (064)	\$60.00	\$50.00
Over 64 thru 128 Kbps	FCEALMT (128)	\$70.00	\$50.00
Over 128 thru 256 Kbps	FCEALMT (256)	\$80.00	\$50.00
Over 256 thru 384 Kbps	FCEALMT (384)	\$90.00	\$50.00
Over 384 thru 512 Kbps	FCEALMT (512)	\$100.00	\$50.00
Over 512 thru 768 Kbps	FCEALMT (768)	\$110.00	\$50.00
Over 768 thru 1.536 Mbps	FCEALMT (1M)	\$125.00	\$50.00 (CR)

**CANCELLED**

APR 30 2001

2nd RP 22  
Public Service Commission  
MISSOURI

Missouri Public  
Service Commission

FILED NOV 23 1999

ISSUED:  
October 27, 1999

BY: Richard D. Lawson  
State Executive, External Affairs  
319 Madison  
Jefferson City, MO 65101

EFFECTIVE:  
November 26, 1999

GENERAL EXCHANGE TARIFF

RECEIVED

SPRINT MISSOURI, INC.  
d/b/a SPRINT

Original Page 22  
MAY 15 1998

FRAME RELAY SERVICE

MO. PUBLIC SERVICE COMM

G. Frame To ATM Inter-Networking Link

CIR, per PVC	S&E Code	Monthly Rate	NRC
Over 0 thru 256 Kbps	FCEALVI (FA1)	\$20.00	\$50.00
Over 256 thru 384 Kbps	FCEALVI (FA2)	\$30.00	\$50.00
Over 384 thru 512 Kbps	FCEALVI (FA3)	\$40.00	\$50.00
Over 512 thru 768 Kbps	FCEALVI (FA4)	\$50.00	\$50.00
Over 768 thru 1.536 Mbps	FCEALVI (FA5)	\$75.00	\$50.00
Over 1.536 thru 4 Mbps	FCEALVI (FA6)	\$120.00	\$50.00
Over 4 thru 10 Mbps	FCEALVI (FA7)	\$160.00	\$50.00
Over 10 thru 16 Mbps	FCEALVI (FA8)	\$225.00	\$50.00
Over 16 thru 34 Mbps	FCEALVI (FA9)	\$250.00	\$50.00
Over 34 thru 44.736 Mbps	FCEALVI (FA0)	\$375.00	\$50.00

H. Gateway Service

CIR, per PVC	S&E Code	Monthly Rate	NRC
Over 0 thru 8 Kbps	FCEALMT (008)	\$10.00	\$50.00
Over 8 thru 16 Kbps	FCEALMT (016)	\$20.00	\$50.00
Over 16 thru 24 Kbps	FCEALMT (024)	\$30.00	\$50.00
Over 24 thru 32 Kbps	FCEALMT (032)	\$40.00	\$50.00
Over 32 thru 40 Kbps	FCEALMT (040)	\$50.00	\$50.00
Over 40 thru 48 Kbps	FCEALMT (048)	\$60.00	\$50.00
Over 48 thru 56 Kbps	FCEALMT (056)	\$70.00	\$50.00
Over 56 thru 64 Kbps	FCEALMT (064)	\$80.00	\$50.00
Over 64 thru 128 Kbps	FCEALMT (128)	\$160.00	\$50.00
Over 128 thru 256 Kbps	FCEALMT (256)	\$320.00	\$50.00
Over 256 thru 384 Kbps	FCEALMT (384)	\$475.00	\$50.00
Over 384 thru 512 Kbps	FCEALMT (512)	\$635.00	\$50.00
Over 512 thru 768 Kbps	FCEALMT (768)	\$950.00	\$50.00
Over 768 thru 1.536 Mbps	FCEALMT (1M)	\$1,905.00	\$50.00

**CANCELLED**

NOV 26 1999  
By *LSRS#22*  
Public Service Commission  
MISSOURI

**FILED**

JUN 16 1998

MISSOURI  
Public Service Commission

ISSUED:  
May 15, 1998

BY: Richard D. Lawson  
State Executive, External Affairs  
319 Madison  
Jefferson City, MO 65101

EFFECTIVE:  
June 16, 1998



GENERAL EXCHANGE TARIFF

Embarq Missouri, Inc.  
d/b/a Embarq

Fourth Revised Page 1  
Cancels Third Revised Page 1

PRIVATE LINES AND EQUIPMENT

I. GENERAL REGULATIONS

- A. Private lines are circuits furnished and maintained by the Telephone Company. They are for private use and are equipped at each terminal with telephone or telegraph instruments or other signaling devices, and not connected for exchange or toll service.
- B. The minimum contract term is one month where facilities are available. Where facilities are not available or the provision of private line service necessitates unusual expenditure, or where other special considerations are involved, the customer may be required to contract for service beyond the initial period or to pay an advance rental charge, or both.
- C. For construction and installation charges and rates and regulations for special equipment, see "Construction and Installation Charges" and "Special Equipment and Assemblies" Sections of the General Exchange Tariffs respectively.
- D. All instruments and apparatus used in connection with private lines must be of a type approved by the FCC.

II. MILEAGE MEASUREMENT

A. Local Channels or Networks

Mileage between points within the same exchange area will be the airline distance.

(D)

ISSUED:  
September 8, 2006

BY: Darlene N. Terry  
Manager - Tariffs  
5454 W. 110th Street  
Overland Park, KS 66211

EFFECTIVE:  
~~October 8, 2006~~

October 13, 2006

GENERAL EXCHANGE TARIFF

SPRINT MISSOURI, INC.  
d/b/a SPRINT

Third Revised Page 1  
Cancels Second Revised Page 1

PRIVATE LINES AND EQUIPMENT

I. GENERAL REGULATIONS

- A. Private lines are circuits furnished and maintained by the Telephone Company. They are for private use and are equipped at each terminal with telephone or telegraph instruments or other signaling devices, and not connected for exchange or toll service.
- B. The minimum contract term is one month where facilities are available. Where facilities are not available or the provision of private line service necessitates unusual expenditure, or where other special considerations are involved, the customer may be required to contract for service beyond the initial period or to pay an advance rental charge, or both.
- C. For construction and installation charges and rates and regulations for special equipment, see "Construction and Installation Charges" and "Special Equipment and Assemblies" Sections of the General Exchange Tariffs respectively.

(D)

(D)

- D. All instruments and apparatus used in connection with private lines must be of a type approved by the FCC.

(CT)

II. MILEAGE MEASUREMENT

- A. Local Channels or Networks

Mileage between points within the same exchange area will be the airline distance.

<sup>SM</sup>Registered service mark of United Telecommunications, Inc.

ISSUED:  
December 11, 2003

BY: Richard D. Lawson  
State Executive, External Affairs  
319 Madison  
Jefferson City, MO 65101

EFFECTIVE:  
January 10, 2004

**Cancelled**

October 13, 2006  
Missouri Public  
Service Commission

**Filed**

Missouri Public  
Service Commission

GENERAL EXCHANGE TARIFF  
**Missouri Public**

SPRINT MISSOURI, INC.  
d/b/a SPRINT

Second Revised Page 1  
Cancels First Revised Page 1

REC'D APR 09 2002

PRIVATE LINES AND EQUIPMENT  
**Service Commission**

I. GENERAL REGULATIONS

- A. Private lines are circuits furnished and maintained by the Telephone Company. They are for private use and are equipped at each terminal with telephone or telegraph instruments or other signalling devices, and not connected for exchange or toll service.
- B. The minimum contract term is one month where facilities are available. Where facilities are not available or the provision of private line service necessitates unusual expenditure, or where other special considerations are involved, the customer may be required to contract for service beyond the initial period or to pay an advance rental charge, or both.
- C. For construction and installation charges and rates and regulations for special equipment, see "Construction and Installation Charges" and "Special Equipment and Assemblies" Sections of the General Exchange Tariffs respectively.
- D. For rates and regulations applicable to United DigiLink<sup>SM</sup> and United TransLink<sup>SM</sup> see the rates and regulations listed under Digital Data Service and High Capacity Service (1.544 Mbps) in Section 7 of Sprint Missouri, Inc. d/b/a Sprint Intrastate Access Tariff P.S.C. MO. No. 26. United DigiLink<sup>SM</sup> is a digital transmission service designed to transmit signals, end to end, at speeds of 2.4, 4.8, 9.6, 19.2, 56 or 64 kbps over digital facilities routed through the Telephone Company central offices. United TransLink<sup>SM</sup> is a digital transmission service designed to transmit signals, end to end, at a speed of 1.544 Mbps over digital facilities routed through the Telephone Company central offices.
- E. All instruments and apparatus used in connection with private lines must be of a type approved by the FCC.

(T)

II. MILEAGE MEASUREMENT

- A. Local Channels or Networks

Mileage between points within the same exchange area will be the airline distance.

<sup>SM</sup>Registered service mark of United Telecommunications, Inc.

**CANCELLED**

JAN 10 2004

By *3rd RS 1*  
**Public Service Commission**  
**MISSOURI**

**Missouri Public**

**FILED MAY 09 2002**

**Service Commission**

ISSUED:  
April 9, 2002

BY: Richard D. Lawson  
State Executive, External Affairs  
319 Madison  
Jefferson City, MO 65101

EFFECTIVE:  
May 9, 2002

GENERAL EXCHANGE TARIFF

SPRINT MISSOURI, INC.  
d/b/a SPRINT

First Revised Page 1  
Cancels Original Page 1  
MISSOURI PUBLIC SERVICE COMMISSION

PRIVATE LINES AND EQUIPMENT

REC'D SEP 10 1999

I. GENERAL REGULATIONS

- A. Private lines are circuits furnished and maintained by the Telephone Company. They are for private use and are equipped at each terminal with telephone or telegraph instruments or other signalling devices, and not connected for exchange or toll service.
- B. The minimum contract term is one month where facilities are available. Where facilities are not available or the provision of private line service necessitates unusual expenditure, or where other special considerations are involved, the customer may be required to contract for service beyond the initial period or to pay an advance rental charge, or both.
- C. For construction and installation charges and rates and regulations for special equipment, see "Construction and Installation Charges" and "Special Equipment and Assemblies" Sections of the General Exchange Tariffs respectively.
- D. For rates and regulations applicable to United DigiLink<sup>SM</sup> and United TransLink<sup>SM</sup> see the rates and regulations listed under Digital Data Service and High Capacity Service (1.544 Mbps) in Section 7 of Sprint Missouri, Inc. d/b/a Sprint Intrastate Access Tariff P.S.C. MO. No. 26. United DigiLink<sup>SM</sup> is a digital transmission service designed to transmit signals, end to end, at speeds of 2.4, 4.8, 9.6, 19.2 or 56 kbps over digital facilities routed through the Telephone Company central offices. United TransLink<sup>SM</sup> is a digital transmission service designed to transmit signals, end to end, at a speed of 1.544 Mbps over digital facilities routed through the Telephone Company central offices.
- E. All instruments and apparatus used in connection with private lines must be of a type approved by the FCC.

(C)  
(C)  
(T)

II. MILEAGE MEASUREMENT

- A. Local Channels or Networks

Mileage between points within the same exchange area will be the airline distance.

<sup>SM</sup>Registered service mark of United Telecommunications, Inc.

**CANCELLED**

Missouri Public Service Commission

MAY 09 2002

FILED OCT 15 1999

ISSUED:  
September 10, 1999

By *2nd RS 1*  
**Public Service Commission**  
Missouri  
Lawson  
State Executive, External Affairs  
319 Madison  
Jefferson City, MO 65101

EFFECTIVE:

**OCT 15 1999**

UNITED TELEPHONE COMPANY  
OF MISSOURI

GENERAL EXCHANGE TARIFF

RECEIVED  
Original Page 1  
SEP 17 1992

PRIVATE LINES AND EQUIPMENT

I. GENERAL REGULATIONS

- A. Private lines are circuits furnished and maintained by the Telephone Company. They are for private use and are equipped at each terminal with telephone or telegraph instruments or other signalling devices, and not connected for exchange or toll service.
- B. The minimum contract term is one month where facilities are available. Where facilities are not available or the provision of private line service necessitates unusual expenditure, or where other special considerations are involved, the customer may be required to contract for service beyond the initial period or to pay an advance rental charge, or both.
- C. For construction and installation charges and rates and regulations for special equipment, see "Construction and Installation Charges" and "Special Equipment and Assemblies" Sections of the General Exchange Tariffs respectively.
- D. For rates and regulations applicable to United DigiLink<sup>SM</sup> and United TransLink<sup>SM</sup> see Section 7 of United Telephone Company of Missouri's Intrastate Access Tariff P.S.C. MO. No. 26. United DigiLink<sup>SM</sup> is a digital transmission service designed to transmit signals, end to end, at speeds of 2.4, 4.8, 9.6, 19.2 or 56 kbps over digital facilities routed through the Telephone Company central offices. United TransLink<sup>SM</sup> is a digital transmission service designed to transmit signals, end to end, at a speed of 1.544 Mbps over digital facilities routed through the Telephone Company central offices.
- E. All instruments and apparatus used in connection with private lines must be of a type approved by the FCC.

II. MILEAGE MEASUREMENT

A. Local Channels or Networks

Mileage between points within the same exchange area will be the airline distance.

**CANCELLED**

OCT 15 1999  
By *SKR*  
Public Service Commission  
MISSOURI

**FILED**

NOV 7 1992

sm Registered service mark of United Telecommunications, Inc.

MO. PUBLIC SERVICE COMM.

ISSUED:  
September 17, 1992

BY: John L. Roe  
Vice President - Administration  
5454 West 110th Street  
Overland Park, Kansas 66211

EFFECTIVE:  
~~October 17, 1992~~  
NOV 7 1992

GENERAL EXCHANGE TARIFF

UNITED TELEPHONE COMPANY  
OF MISSOURI

Original Page 2

PRIVATE LINES AND EQUIPMENT

II. MILEAGE MEASUREMENT: (Cont'd)

A. LOCAL CHANNELS OR NETWORKS (Cont'd)

1. Local Channels Connecting Only Two Customer Locations

Where a private line is furnished to connect only two customer locations, the mileage charge will be the airline measurement between connected premises. A one mile minimum mileage applies for each local two point channel.

2. Local Channel Networks, Serving Three or More Customer Locations

Where three or more customer premises are to be interconnected with private lines, the facilities will be considered as being a network of component circuits, with mileage computation as follows:

a. Wire Interconnecting Center

Wire interconnecting centers will be established for networks by the Telephone Company in consideration of the availability and routing of circuits.

b. Network Mileage

The network mileage will be the sum of the mileages for all component circuits measured airline between the network interconnecting centers and the location of each of the customer premises plus any applicable branch circuit or drop mileages. A one mile minimum mileage applies for each separate component circuit in the network.

c. Branch Circuit or Drop Mileage

In certain private line arrangements, a branch circuit or drop may be connected to a component circuit at an intermediate point between the network interconnecting center and the component circuit end.

ISSUED:  
September 17, 1992

BY: Richard D. Lawson  
State Executive, External Affairs  
319 Madison  
Jefferson City, MO 65101

EFFECTIVE:  
November 7, 1992

GENERAL EXCHANGE TARIFF

UNITED TELEPHONE COMPANY  
OF MISSOURI

Original Page 3

PRIVATE LINES AND EQUIPMENT

II. MILEAGE MEASUREMENT: (Cont'd)

A. LOCAL CHANNELS OR NETWORKS (Cont'd)

2. Local Channel Networks, Serving Three or More Customer Locations (Cont'd)

c. Branch Circuit or Drop Mileage (Cont'd)

(1) For each branch circuit or intermediate drop an additional mileage charge applies, measured airline from the point of interconnection with the component circuit to the customer location.

(2) A minimum mileage charge of one-fourth (1/4) mile applies for each branch circuit or intermediate drop.

3. On Premises Extensions

Where the customer requires an extra station or additional private line to be connected on the same premises, each additional extension station or terminal location shall be defined as a branch circuit.

ISSUED:  
September 17, 1992

BY: Richard D. Lawson  
State Executive, External Affairs  
319 Madison  
Jefferson City, MO 65101

EFFECTIVE:  
November 7, 1992

GENERAL EXCHANGE TARIFF

**Embarq Missouri, Inc.**  
**d/b/a Embarq**

Third Revised Page 4 (C)  
Cancels Second Revised Page 4 (C)

PRIVATE LINES AND EQUIPMENT

II. MILEAGE MEASUREMENT: (Cont'd)

B. Interexchange Channels  
See **Embarq Missouri, Inc.'s** Private Line Tariff. (T)

III. RATES

The following rates and charges apply to private lines wholly furnished within the local exchange.

A. Mileage Charges	<u>Monthly Charges</u>	
1. Each local Channel or Network		
For the first one-quarter mile or fraction thereof (airline distance) (MBBAC)	<b>\$4.75</b>	( I )
Each additional one-quarter (1/4) mile (MBBAL)	<b>\$4.75</b>	( I )

ISSUED:  
January 20, 2009

BY: Darlene N. Terry  
Manager - Tariffs  
5454 W. 110th Street  
Overland Park, Kansas 66211

EFFECTIVE:  
February 1, 2009



GENERAL EXCHANGE TARIFF

SPRINT MISSOURI, INC.  
d/b/a SPRINT

Second Revised Page 4  
Cancels First Revised Page 4

PRIVATE LINES AND EQUIPMENT

II. MILEAGE MEASUREMENT: (Cont'd)

B. Interexchange Channels  
See United Telephone Company of Missouri's Private Line Tariff.

III. RATES

The following rates and charges apply to private lines wholly furnished within the local exchange.

A. Mileage Charges	<u>Monthly Charges</u>	
1. Each local Channel or Network		
For the first one-quarter mile or fraction thereof (airline distance) (MBBAC)	<b>\$3.50</b>	(R)
Each additional one-quarter (1/4) mile (MBBAL)	<b>\$3.50</b>	(I)

ISSUED:  
December 3, 2004

BY: Richard D. Lawson  
State Executive, External Affairs  
319 Madison  
Jefferson City, MO 65101

EFFECTIVE:  
January 18, 2005

CANCELLED  
February 1, 2009  
Missouri Public  
Service Commission  
JI-2009-0528

**FILED**  
**MO PSC**

REC'D OCT 25 2002

P.S.C. MO.-No. 22 Section 22  
GENERAL EXCHANGE TARIFF

Service Commission  
First Revised Page 4  
Cancels Original Page 4

SPRINT MISSOURI, INC.  
d/b/a SPRINT

PRIVATE LINES AND EQUIPMENT

II. MILEAGE MEASUREMENT: (Cont'd)

B. Interexchange Channels  
See United Telephone Company of Missouri's Private Line Tariff.

III. RATES

The following rates and charges apply to private lines wholly furnished within the local exchange.

A. Mileage Charges Monthly Charges

1. Each local Channel or Network

For the first one-quarter mile or fraction thereof (airline distance) (MBBAC)	\$4.60	(1)
Each additional one-quarter (1/4) mile (MBBAL)	2.25	(1)

**CANCELLED**

JAN 18 2005

By *2nd R S 4*  
Public Service Commission  
MISSOURI

Missouri Public  
Service Commission  
IT-63-0166  
FILED DEC 18 2002

ISSUED:  
October 25, 2002

BY: Richard D. Lawson  
State Executive, External Affairs  
319 Madison  
Jefferson City, MO 65101

EFFECTIVE:



DEC 18 2002

GENERAL EXCHANGE TARIFF

UNITED TELEPHONE COMPANY  
OF MISSOURI

Original page 4

RECEIVED

PRIVATE LINES AND EQUIPMENT

SEP 17 1992

II. MILEAGE MEASUREMENT: (Cont'd)

MO. PUBLIC SERVICE COMMISSION

B. Interexchange Channels  
See United Telephone Company of Missouri's Private Line Tariff.

III. RATES

The following rates and charges apply to private lines wholly furnished within the local exchange.

A. Mileage Charges	<u>Monthly Charges</u>
1. Each local Channel or Network	
For the first one-quarter mile or fraction thereof (airline distance) (MBBAC)	\$4.30
Each additional one-quarter (1/4) mile (MBBAL)	2.10

CANCELLED

DEC 18 2002

By *ISTR 54*  
Public Service Commission

FILED

NOV 7 1992

MO. PUBLIC SERVICE COMM.

EFFECTIVE:

~~NOV 7 1992~~  
NOV 7 1992

ISSUED:  
September 17, 1992

BY: John L. Roe  
Vice President - Administration  
5454 West 110th Street  
Overland Park, Kansas 66211

GENERAL EXCHANGE TARIFF

UNITED TELEPHONE COMPANY  
OF MISSOURI

Original Page 5

PRIVATE LINES AND EQUIPMENT

III. RATES (Cont'd)

B. Signalling or Special Equipment

Rates are computed in accordance with the General Tariff "Special Equipment and Assemblies" section.

C. Service Connection and Installation Charges

1. Local Channels

For each termination of a local channel at the customer's premises, including connection with interexchange channels and network wire center where required, but not including signalling equipment or special station apparatus, charges found in the "Service Connection Charges" Section of this tariff will apply.

2. Signalling or Special Station Apparatus and Equipment Connection charges are based on the provisions found in the "Special Equipment and Assemblies" Section of this tariff.

D. Special Private Line Channels

1. Rates specified herein are for standard voice grade channels or circuits normally used by the telephone company for transmission of voice messages.
2. When channels or circuits are required of a special design or capability in excess of normal, the rate will be based on the "Special Equipment and Assemblies" and "Construction and Installation" Sections of this tariff.

ISSUED:  
September 17, 1992

BY: Richard D. Lawson  
State Executive, External Affairs  
319 Madison  
Jefferson City, MO 65101

EFFECTIVE:  
November 7, 1992

GENERAL EXCHANGE TARIFF

UNITED TELEPHONE COMPANY  
OF MISSOURI

Original Page 6

PRIVATE LINES AND EQUIPMENT

IV. CONNECTIONS

A. CONNECTIONS WITH CERTAIN FACILITIES OF CUSTOMERS

1. Entrance Facilities

Description

Channels for use with customer-provided channels to extend the customer-provided channels to a service point of the customer. Channels are furnished for half-duplex or full duplex operation on a two-point basis for a minimum period of one month.

Approximate bandwidth of 300-3000 cycles per second. Furnished to extend customer-provided communications channels to a service point of the customer.

Regulations

In addition to the other regulations set forth in the "Rules and Regulations Applying to all Customer Contracts" section, the following regulations apply to entrance facilities.

These channels are furnished to extend a customer-provided communications channel, voice grade or less, to a customer service point (1) within an exchange, or (2) located 25 airline miles or less from the point at which the customer-provided communications channel is connected to the Telephone Company entrance facility.

Connection of Customer-Provided Terminal Equipment or Communications Systems to Telephone Company Entrance Facilities.

- a. Customer-provided communications channels may be connected with Entrance Facilities furnished by the Telephone Company for the purpose of extending the customer-provided communications channels to a service point of the customer. The connection shall be through connecting arrangements furnished, installed and maintained by the Telephone Company.

ISSUED:  
September 17, 1992

BY: Richard D. Lawson  
State Executive, External Affairs  
319 Madison  
Jefferson City, MO 65101

EFFECTIVE:  
November 7, 1992

GENERAL EXCHANGE TARIFF

UNITED TELEPHONE COMPANY  
OF MISSOURI

Original Page 7

PRIVATE LINES AND EQUIPMENT

IV. CONNECTIONS (Cont'd)

A. CONNECTIONS WITH CERTAIN FACILITIES OF CUSTOMERS (Cont'd)

1. Entrance Facilities (Cont'd)

a. (Cont'd)

The customer-provided channels shall comply with the minimum protection criteria.

b. Entrance facilities may be connected at a customer service point to customer-provided transmitting and receiving terminal equipment or to customer-provided communications systems for the purpose of communicating with transmitting and receiving terminal equipment located on the premises on which the service point is located. The connection shall be through connecting arrangements furnished, installed and maintained by the Telephone Company. The customer-provided terminal equipment or communications systems shall comply with the minimum protection.

c. To protect Telephone Company facilities and the services furnished to the general public by the Telephone Company from harmful effects, the signals applied to Telephone Company facilities by customer-provided terminal equipment or communications systems, must comply with the following minimum protection criteria.

(1) Where customer-provided communications channels are connected to entrance facilities for the purpose of extending the customer-provided channel to a service point of the customer, the following minimum protection criteria apply:

(a) to prevent excessive noise and crosstalk, it is necessary that the power of the signal at the central office not exceed 12db below one milliwatt when averaged over any three second interval.

ISSUED:  
September 17, 1992

BY: Richard D. Lawson  
State Executive, External Affairs  
319 Madison  
Jefferson City, MO 65101

EFFECTIVE:  
November 7, 1992

GENERAL EXCHANGE TARIFF

UNITED TELEPHONE COMPANY  
OF MISSOURI

Original Page 8

PRIVATE LINES AND EQUIPMENT

IV. CONNECTIONS (Cont'd)

A. CONNECTIONS WITH CERTAIN FACILITIES OF CUSTOMERS (Cont'd)

1. Entrance Facilities (Cont'd)

c. (Cont'd)

(1) (Cont'd)

(a) (Cont'd)

The power of the signal which may be applied by the customer-provided channel to the Telephone Company four-wire interface located on the customer's premises shall be specified for each type of connecting arrangement, but in no one case shall it exceed one milliwatt.

(b) to protect other services it is necessary that the signal which is applied by the customer-provided channel to the Telephone Company four-wire interface meet the following limits:

- (1) The power in the band from 3,995 hertz per second to 4,005 hertz per second shall not exceed 18db below the power of the signal as specified preceding.
- (2) The power in the band from 4,000 hertz per second to 10,000 hertz per second shall not exceed 16db below one milliwatt.
- (3) The power in the band from 10,000 hertz per second 25,000 hertz per second shall not exceed 24 db below one milliwatt.

ISSUED:  
September 17, 1992

BY: Richard D. Lawson  
State Executive, External Affairs  
319 Madison  
Jefferson City, MO 65101

EFFECTIVE:  
November 7, 1992

GENERAL EXCHANGE TARIFF

UNITED TELEPHONE COMPANY  
OF MISSOURI

Original Page 9

PRIVATE LINES AND EQUIPMENT

IV. CONNECTIONS (Cont'd)

A. CONNECTIONS WITH CERTAIN FACILITIES OF CUSTOMERS (Cont'd)

1. Entrance Facilities (Cont'd)

c. (Cont'd)

(1) (Cont'd)

(b) (Cont'd)

(4) The power in the band from 25,000 hertz per second to 40,000 hertz per second shall not exceed 36db below one milliwatt.

(5) The power in the band above 40,000 hertz per second shall not exceed 50db below one milliwatt.

(c) Where there is connection to a local or long distance message telecommunications central office line, to prevent the interruption of disconnection of a call, or interference with network control signalling, it is necessary that the signal applied by the customer-provided channel to the Telephone Company interface located on the customer's premises at no time have energy solely in the 2450 to 2750 hertz per second band. If signal power is in the 2450 to 2750 hertz per second band, it must not exceed the power present at the same time in the 800 to 2450 hertz per second band.

(1) Where customer-provided terminal equipment or communications systems are connected at a service point of the customer to entrance facilities, the following minimum protection criteria apply:

ISSUED:  
September 17, 1992

BY: Richard D. Lawson  
State Executive, External Affairs  
319 Madison  
Jefferson City, MO 65101

EFFECTIVE:  
November 7, 1992

CANCELLED  
October 19, 2009  
Missouri Public  
Service Commission  
TN-2010-0086; JI-2010-0155

**FILED**  
**MO PSC**



GENERAL EXCHANGE TARIFF

UNITED TELEPHONE COMPANY  
OF MISSOURI

Original Page 10

PRIVATE LINES AND EQUIPMENT

IV. CONNECTIONS (Cont'd)

A. CONNECTIONS WITH CERTAIN FACILITIES OF CUSTOMERS (Cont'd)

1. Entrance Facilities (Cont'd)

c. (Cont'd)

(1) (Cont'd)

(c) (Cont'd)

(1) (Cont'd)

(a) To prevent excessive noise and crosstalk it is necessary that the power of the signal at the central office not exceed 12db below one milliwatt when averaged over any three-second interval. The power of the signal which may be applied by the customer-provided terminal equipment or communication system to the Telephone Company four-wire interface located on the customer's premises shall be specified for each type of connecting arrangement, but in no case shall it exceed one milliwatt.

(b) To protect other services it is necessary that the signal which is applied by the customer-provided terminal equipment or communications system to the Telephone Company four-wire interface located on the customer's premises meet the following limits:

ISSUED:  
September 17, 1992

BY: Richard D. Lawson  
State Executive, External Affairs  
319 Madison  
Jefferson City, MO 65101

EFFECTIVE:  
November 7, 1992

GENERAL EXCHANGE TARIFF

UNITED TELEPHONE COMPANY  
OF MISSOURI

Original Page 11

PRIVATE LINES AND EQUIPMENT

IV. CONNECTIONS (Cont'd)

A. CONNECTIONS WITH CERTAIN FACILITIES OF CUSTOMERS (Cont'd)

1. Entrance Facilities (Cont'd)

c. (Cont'd)

(1) (Cont'd)

(c) (Cont'd)

(1) (Cont'd)

(b) (Cont'd)

- (1) The power in the band from 3,995 hertz per second to 4,005 hertz per second shall not exceed 18db below the power of the signal as specified preceding.
- (2) The power in the band from 4,005 hertz per second to 10,000 hertz per second shall not exceed 16db below one milliwatt.
- (3) The power in the band from 10,000 hertz per second to 25,000 hertz per second shall not exceed 24db below one milliwatt.
- (4) The power in the band from 25,000 hertz per second to 40,000 hertz per second shall not exceed 36db below one milliwatt.

ISSUED:  
September 17, 1992

BY: Richard D. Lawson  
State Executive, External Affairs  
319 Madison  
Jefferson City, MO 65101

EFFECTIVE:  
November 7, 1992

CANCELLED  
October 19, 2009  
Missouri Public  
Service Commission  
TN-2010-0086; JI-2010-0155

**FILED**  
**MO PSC**

GENERAL EXCHANGE TARIFF

UNITED TELEPHONE COMPANY  
OF MISSOURI

Original Page 12

PRIVATE LINES AND EQUIPMENT

IV. CONNECTIONS (Cont'd)

A. CONNECTIONS WITH CERTAIN FACILITIES OF CUSTOMERS (Cont'd)

1. Entrance Facilities (Cont'd)

c. (Cont'd)

(1) (Cont'd)

(c) (Cont'd)

(1) (Cont'd)

(b) (Cont'd)

(5) The power in the band above 40,000 hertz per second shall not exceed 50db below one milliwatt.

(c) Where there is connection to a local or long distance message telecommunication central office line, to prevent the interruption or disconnection of a call, or interference with network control signalling, it is necessary that the signal applied by the customer-provided terminal equipment or communication system to the Telephone Company interface located on the customer's premises at no time have energy solely in the 2450 to 2750 hertz per second band. If signal power is in the 2450 to 2750 hertz per second band, it must not exceed the power present at the same time in the 800 to 2450 hertz per second.

ISSUED:  
September 17, 1992

BY: Richard D. Lawson  
State Executive, External Affairs  
319 Madison  
Jefferson City, MO 65101

EFFECTIVE:  
November 7, 1992

CANCELLED  
October 19, 2009  
Missouri Public  
Service Commission  
TN-2010-0086; JI-2010-0155

**FILED**  
**MO PSC**

GENERAL EXCHANGE TARIFF

UNITED TELEPHONE COMPANY  
OF MISSOURI

Original Page 13

PRIVATE LINES AND EQUIPMENT

IV. CONNECTIONS (Cont'd)

A. CONNECTIONS WITH CERTAIN FACILITIES OF CUSTOMERS (Cont'd)

1. Entrance Facilities (Cont'd)

c. (Cont'd)

(1) (Cont'd)

(c) (Cont'd)

(2) Rates and Charges - Monthly Service

Special charges based on cost are applied for entrance facilities on a case by case basis. See "Special Equipment and Assemblies" section.

2. Definitions

Communications Systems

The term "Communications Systems" denotes channels and other facilities which are capable of two-way communications between customer-provided terminal equipment or Telephone Company stations.

Connecting Arrangement

The term "Connecting Arrangement" denotes the equipment provided by the Telephone Company to accomplish the direct electrical connection of customer-provided facilities with the facilities of the Telephone Company, or the direct electrical connection of Telephone Company facilities.

Contract

The term "contract" refers to the service agreement between a customer and the Telephone Company under which facilities for communication between specified locations,

ISSUED:  
September 17, 1992

BY: Richard D. Lawson  
State Executive, External Affairs  
319 Madison  
Jefferson City, MO 65101

EFFECTIVE:  
November 7, 1992

CANCELLED  
October 19, 2009  
Missouri Public  
Service Commission  
TN-2010-0086; JI-2010-0155

**FILED**  
**MO PSC**

GENERAL EXCHANGE TARIFF

UNITED TELEPHONE COMPANY  
OF MISSOURI

Original Page 14

PRIVATE LINES AND EQUIPMENT

IV. CONNECTIONS (Cont'd)

A. CONNECTIONS WITH CERTAIN FACILITIES OF CUSTOMERS (Cont'd)

2. Definitions (Cont'd)

Contract (Cont'd)

for designated periods, and for the use of the customer specifically named in the contract are furnished in accordance with the provisions of this Tariff.

Customer-Provided Terminal Equipment

The term "Customer-Provided Terminal Equipment" denotes devices, apparatus and their associated wiring, provided by a customer for use with facilities furnished by the Telephone Company for private line service and does not include customer-provided communications systems.

Network Control Signalling

The term "Network Control Signalling" denotes the transmission of signals used in the telecommunications system which perform functions such as supervision (control, status, and charging signals), address signalling (e.g., dialing), calling and called number identification, audible tone signals (call progress signals indicating reorder or busy conditions, alerting, coin denominations, coin collect and coin return tones) to control the operation of switching machines in the telecommunications systems.

Network control Signalling Unit

The term "Network Control Signalling Unit" denotes the terminal equipment furnished, installed and maintained by the Telephone Company for the provision of network control signalling.

ISSUED:  
September 17, 1992

BY: Richard D. Lawson  
State Executive, External Affairs  
319 Madison  
Jefferson City, MO 65101

EFFECTIVE:  
November 7, 1992

P.S.C. MO.-No. 22 Section 22  
GENERAL EXCHANGE TARIFF

UNITED TELEPHONE COMPANY  
OF MISSOURI

Original Page 15

PRIVATE LINES AND EQUIPMENT

IV. CONNECTIONS (Cont'd)

A. CONNECTIONS WITH CERTAIN FACILITIES OF CUSTOMERS (Cont'd)

2. Definitions (Cont'd)

Service Point

The term "Service Point" when used in connection with customer-provided communication channels denotes the point on the customer's premises where channels provided by or furnished to the customer are terminated in transmitting and receiving terminal equipment or in switching equipment used, at least in part, for communications with stations or customer-provided terminal equipment located on the premises.

ISSUED:  
September 17, 1992

BY: Richard D. Lawson  
State Executive, External Affairs  
319 Madison  
Jefferson City, MO 65101

EFFECTIVE:  
November 7, 1992

CANCELLED  
October 19, 2009  
Missouri Public  
Service Commission  
TN-2010-0086; JI-2010-0155

**FILED**  
**MO PSC**