

FACILITIES FOR INTRASTATE ACCESS

Missouri Public

REC'D JUL 15 2002

2. GENERAL REGULATIONS (Cont'd)

Service Commission

2.6 Definitions (Cont'd)

Ground Start Supervisory Signaling

The term "Ground Start Supervisory Signaling" denotes a type of signaling which provides for the application of ground on the tip side at the point of termination (assuming no signaling conversion has been provided by the Telephone Company) as an initial seizure signal before the application of ringing in the originating direction (towards the customer from the end office).

Immediately Available Funds

The term "Immediately Available Funds" denotes a corporate or personal check drawn on a bank account and funds which are available for use by the receiving party on the same day on which they are received and includes U.S. Federal Reserve bank wire transfers, U.S. Federal Reserve notes (paper cash), U.S. coins, U.S. Postal Money Orders, and New York Certificates of Deposit.

Individual Case Basis

The term "Individual Case Basis" (ICB) denotes a condition where the regulations, if applicable, rates and charges for an offering under the provisions of this tariff are developed based on the circumstances in each case.

Information Service Provider

The term "Information Service Provider" denotes one who offers a capability for generating, acquiring, storing, transforming, processing, retrieving, utilizing, or making available information which may be conveyed via telecommunications, except that such service does not include (1) any use of any such capability for the management, control, or operation of a telecommunications system or the management of a telecommunications service, or (2) the provision of time, weather, and such other similar audio services that are offered by any GTOC.

Initial Address Message (IAM)

The term "Initial Address Message (IAM)" denotes an SS7 message sent in the forward direction to initiate trunk set up with the busy of an outgoing trunk which carries the information about that trunk along with other information relating to the routing and handling of the call to the next switch.

Installed Cost

The term "Installed Cost" denotes the total cost (estimated or actual) by the Telephone Company to provide facilities for the offered services.

Issued: July 18, 2002

Jeffrey Glover
Vice President External Relations
Monroe, Louisiana

Missouri Public
Effective: September 1, 2002

FILED SEP 01 2002
TM 02-232
Service Commission

CANCELLED - Missouri Public Service Commission - 02/16/2023 - TN-2023-0237 - Y1-2023-0144

FACILITIES FOR INTRASTATE ACCESS

Missouri Public

REC'D JUL 15 2002

Service Commission

2. GENERAL REGULATIONS (Cont'd)

2.6 Definitions (Cont'd)

Interexchange Carrier (IC) or Interexchange Common Carrier

The term "Interexchange Carrier" (IC) or "Interexchange Common Carrier" denote any individual, partnership, association, joint stock company, trust, governmental entity or corporation engaged for hire in intrastate or foreign communication by wire or radio, between two or more LATAs.

Intermodulation Distortion

The term "Intermodulation Distortion" denotes a measure of the nonlinearity of a circuit. It is measured using four tones, and evaluating the ratios (in dBs) of the transmitted composite four-tone signal power to the second-order products of the tones (R2), and the third-order products of the tones (R3).

Interstate Communications

The term "Interstate Communications" denotes both interstate and foreign communications.

Intrastate Communications

The term "Intrastate Communications" denotes any communications within a state subject to oversight by a state regulatory commission as provided by the laws of the state involved..

Line

The term "Line" denotes a communications path connecting an end office switch with an end user's premises or a CDL for the provision for FGA or BSA-A.

Line Group

The term "Line Group" denotes a grouping of lines which are traffic engineered as a unit for the establishment of connections between end office switched and customers in which all of the communications paths are interchangeable.

Line Side Connection

The term "Line Side Connection" denotes a connection of a transmission path to the line side of an end office system.

Local Access and Transport Area

The term "Local Access and Transport Area" (LATA) denotes a geographic area for the provision and administration of communications service. It encompasses designated Access Area which are grouped to service common social, economic, and other purposes.

Local Exchange Carrier (LEC)

The Term "Local Exchange Carrier" (LEC) denotes the certificated provider of basic local exchange telephone service.

Issued: July 18, 2002

Jeffrey Glover
Vice President External Relations
Monroe, Louisiana

Effective: September 1, 2002
Missouri Public

FILED SEP 01 2002
TM JE-02-232
Service Commission

CANCELLED - Missouri Public Service Commission - 02/16/2023 - TN-2023-0237 - YI-2023-0144

FACILITIES FOR INTRASTATE ACCESS

Missouri Public

2. GENERAL REGULATIONS (Cont'd)

REC'D JUL 15 2002

2.6 Definitions (Cont'd)

Service Commission

Logical Channel

The term "Logical Channel" denotes a communication channel which allows two-way simultaneous transmission of data packets through the network. No circuit capability is preassigned to a logical channel. Capacity is made available as the data is transmitted. Each virtual connection utilizes one logical channel.

Maximum Burst Rate (MBR)

The term "Maximum Burst Rate (MBR)" denotes the maximum information rate at which customer traffic will be admitted to the Frame Relay network. Traffic rates in excess of MBR will be automatically discarded on ingress to the network. Maximum burst Rate is equal to the sum of the Committed Information Rate (CIR) and Excess Burst Size [B(e)].

MTS

The term "MTS" is an acronym for Message Telecommunications Service which is intrastate long distance service that is generally rates on an individual call basis as charged by the MTS provider to the MTS end user. Address signaling for traffic originating or terminating at the common line of the MTS end user is by means of a seven digit telephone number and, when required, a three digit NPA code.

MTS Access

The term "MTS Access" is an access service provided to customers for the purpose of enabling the provision of MTS. MTS Access is provided by the Telephone Company using a combination of Switched Access Service and Common Lines as offered within this tariff.

Missouri Public

Issued: July 18, 2002

Effective: September 1, 2002

Jeffrey Glover
Vice President External Relations
Monroe, Louisiana

FILED SEP 01 2002

TM 02-02-232
Service Commission

CANCELLED - Missouri Public Service Commission - 02/16/2023 - TN-2023-0237 - YI-2023-0144

FACILITIES FOR INTRASTATE ACCESS

Missouri Public

2. GENERAL REGULATIONS (Cont'd)

REC'D JUL 15 2002

2.6 Definitions (Cont'd)

Service Commission

Maximum Termination Liability

The term "Maximum Termination Liability" (MTL) denotes the maximum amount of money for which the customer is liable in the event all FIA ordered in a Special Construction case are discontinued before a specified period of time.

Maximum Termination Liability Period

The term "Maximum Termination Liability Period" denotes the length of time the customer is liable for a termination charge in the event specially constructed FIA are terminated. The MTL period is equal to the average account life of the FIA provided.

Mid Link

The term "Mid Link" denotes the Special Transport facilities between Hub Wire Centers where the circuit is bridged and/or where switching devices such as a loop transfer arrangement are located.

Milliwatt (102 Type) Test Line

The term "Milliwatt (102-Type) Test Line" denotes an arrangement in an end office which provides a 1004 Hz tone at 0 dBm0 for one-way transmission measurements towards the CDL from the Telephone Company end office.

Mobile Telephone Switching Office (MTSO)

The term "Mobile Telephone Switching Office (MTSO)" denotes a Cellular Mobile Carrier (CMC) switching facility that is used to originate or terminate calls on the CMC network, or originate or terminate calls between the CMC and the public switched telephone network.

Multicarrier Access Area

The term "Multicarrier Access Area" denotes an EAS for FGA and BSA-A or an area for FGB and BSA-B where FIA Services are provided by more than one telephone company in which a customer obtains access to an entire EAS, FGB or BSA-B area by obtaining a FGA, FGB, BSA-A or BSA-B access tandem arrangement that connects its switch with the First Point of Switching of the Primary Exchange Carrier.

National Security Emergency Preparedness (NSEP) Services

The term "National Security Emergency Preparedness (NSEP) Services" denotes telecommunications services which are used to maintain a state of readiness or to respond to and manage any event or crisis (local, national or international), which causes or could cause injury or harm to the population, damage to or loss of property, or degrades or threatens the NSEP posture of the United States.

Net Salvage

The term "Net Salvage" denotes the estimated scrap, sale, or trade-in value, less the estimated cost of removal. Cost of removal includes the costs of demolishing, tearing down, removing, or otherwise disposing of the material and any other applicable costs. Because the cost of removal may exceed salvage, facilities may have negative net salvage.

Network Channel Interface Code

The "Network Channel Interface" code (NCI) is an ordering code that provides an indication of the generic channel type. The NCI code provides the technical characteristics of the interface and describes the physical and electrical characteristics of the special access interface to the customer designated locations. A complete description and listing of these interface codes is specified in Section 6103 of the GTE Technical Interface Reference Manual.

Issued: July 18, 2002

Jeffrey Glover
Vice President External Relations
Monroe, Louisiana

Missouri Public
Effective: September 1, 2002

FILED SEP 01 2002
TM # -02-232
Service Commission

FACILITIES FOR INTRASTATE ACCESS

2. GENERAL REGULATIONS (Cont'd)

2.6 Definitions (Cont'd)

Non-Overlap Outpulsing

The term "Non-Overlap Outpulsing" is the feature of the exchange access signaling system which provides initiation of pulsing to the customer's premises after the calling subscriber has completed dialing an originating call.

Nonrecoverable Cost

The term "Nonrecoverable Cost" denotes the cost of specially constructed facilities for which the Telephone Company has no foreseeable use should the customer terminate service.

Nonsynchronous Test Line

The term "Nonsynchronous Test Line" denotes an arrangement in step-by-step end offices which provides operational tests which are not as complete as those provided by the synchronous test lines, but which can be made more rapidly.

Non-Toll Free

All calls that are not toll free (8YY) as established by the FCC's 8YY Access Charge Reform Order (FCC 20-143) released on October 9, 2020.

(N)
(N)
(N)

North American Numbering Plan

The term "North American Numbering Plan" denotes a three-digit area or Numbering Plan Area (NPA) code and a seven-digit telephone number made up of a three-digit Central Office code (NXX) plus a four-digit station number (XXXX).

NSEP Treatment

The term "NSEP Treatment" denotes the provisioning of a telecommunications service before others based on the provisioning priority level assigned by the Executive Office of the President.

(M)
—
(M)

(M) – Material moved to Sheet 35.1.

CANCELLED - Missouri Public Service Commission - 02/16/2023 - TN-2023-0237 - YI-2023-0144

FACILITIES FOR INTRASTATE ACCESS

Missouri Public

REC'D JUL 15 2002

Service Commission

2. GENERAL REGULATIONS (Cont'd)

2.6 Definitions (Cont'd)

Non-Overlap Outpulsing

The term "Non-Overlap Outpulsing" is the feature of the exchange access signaling system which provides initiation of pulsing to the customer's premises after the calling subscriber has completed dialing an originating call.

Nonrecoverable Cost

The term "Nonrecoverable Cost" denotes the cost of specially constructed facilities for which the Telephone Company has no foreseeable use should the customer terminate service.

Nonsynchronous Test Line

The term "Nonsynchronous Test Line" denotes an arrangement in step-by-step end offices which provides operational tests which are not as complete as those provided by the synchronous test lines, but which can be made more rapidly.

North American Numbering Plan

The term "North American Numbering Plan" denotes a three-digit area or Numbering Plan Area (NPA) code and a seven-digit telephone number made up of a three-digit Central Office code (NXX) plus a four-digit station number (XXXX).

NSEP Treatment

The term "NSEP Treatment" denotes the provisioning of a telecommunications service before others based on the provisioning priority level assigned by the Executive Office of the President.

Off-Hook

The term "Off-Hook" denotes the active condition of Switched Access or a Telephone Company local service line.

On-Hook

The term "On-Hook" denotes the idle condition of Switched Access or a Telephone Company local service line.

Open Circuit Test Line

The term "Open Circuit Test Line" denotes an arrangement in an end office which provides an ac open circuit termination of the trunk or line by means of an inductor of several Henries.

Operator Services Provider

The term "Operator Services Provider" denotes the provider of operator services to which an end user placing an operator assisted call is connected.

Operator Services Switching Location (OSSL)

A Telephone Company office where Telephone Company equipment processes Operator Services calls to or from a customer designated location in the same LATA.

Operator Services System

The switching equipment, facilities, operator positions and software components utilized for the provision of operator services.

Issued: July 18, 2002

Missouri Public
Effective: September 1, 2002

CANCELLED
July 1, 2021
Missouri Public
Service Commission
JI-2021-0198

Jeffrey Glover
Vice President External Relations
Monroe, Louisiana

FILED SEP 01 2002
TM # - 02 - 232
Service Commission

FACILITIES FOR INTRASTATE ACCESS

2. GENERAL REGULATIONS (Cont'd)

2.6 Definitions (Cont'd)

Off-Hook

The term "Off-Hook" denotes the active condition of Switched Access or a Telephone Company local service line.

On-Hook

The term "On-Hook" denotes the idle condition of Switched Access or a Telephone Company local service line.

Open Circuit Test Line

The term "Open Circuit Test Line" denotes an arrangement in an end office which provides an ac open circuit termination of the trunk or line by means of an inductor of several Henries.

Operator Services Provider

The term "Operator Services Provider" denotes the provider of operator services to which an end user placing an operator assisted call is connected.

Operator Services Switching Location (OSSL)

A Telephone Company office where Telephone Company equipment processes Operator Services calls to or from a customer designated location in the same LATA.

Operator Services System

The switching equipment, facilities, operator positions and software components utilized for the provision of operator services.

(M)

(M)

(M) – Material moved from Sheet 35.

Issued: May 14, 2021

Effective: July 1, 2021

MO2021-06

Chantel Bosworth
Director Government Operations
Monroe, Louisiana

FILED
Missouri Public
Service Commission
JI-2021-0198

CANCELLED - Missouri Public Service Commission - 02/16/2023 - TN-2023-0237 - YI-2023-01444

FACILITIES FOR INTRASTATE ACCESS

Missouri Public

REC'D JUL 15 2002

Service Commission

2. GENERAL REGULATIONS (Cont'd)

2.6 Definitions (Cont'd)

Order Interval

The term "Order Interval" denotes the interval between the application Issue Date and the Service Date.

Originating Direction

The term "Originating Direction" denotes the use of Switched Access for the origination of calls from an end user to a CDL.

Originating Point Code

The term "Originating Point Code (OPC)" denotes the identity assigned to each Operator Service System (OSS) location.

Overlap Outpulsing

The term "Overlap Outpulsing" is the feature of the exchange access signaling system which permits initiation of pulsing to the customer's premises before the calling subscriber has completed dialing an originating call.

Permanent Virtual Circuit (PVC)

The term "Permanent Virtual Circuit (PVC)" denotes a logical channel defined in software, that establishes a path from one customer port to another.

Plant Test Date

The term "Plant Test Date" denotes the date on which installation is completed and the Telephone Company to customer testing can begin.

Point of Termination

The term "Point of Termination" denotes the point of demarcation at a CDL or end user premises at which the Telephone Company's responsibility for the provision of FIA Service ends.

Premises

The term "Premises" denotes a building or buildings on continuous property (except Railroad Right-of-Way, etc.) not separated by a public highway.

Pre-service Testing

The term "Pre-service Testing" denotes tests performed on a FIA to assure standard transmission performance/parameters meet specifications prior to acceptance testing.

Primary Exchange Carrier

The term "Primary Exchange Carrier" (PEC) denotes the telephone company in whose exchange a customer's first point of switching (i.e., dial tone for FGA or BSA-A, an access tandem for FGB or BSA-B) is located.

Issued: July 18, 2002

Jeffrey Glover
Vice President External Relations
Monroe, Louisiana

Missouri Public
Effective: September 1, 2002

FILED SEP 01 2002
TM # 02-232
Service Commission

CANCELLED - Missouri Public Service Commission - 02/16/2023 - TN-2023-0237 - Y1-2023-0144

FACILITIES FOR INTRASTATE ACCESS

Missouri Public

REC'D JUL 15 2002

2. GENERAL REGULATIONS (Cont'd)

2.6 Definitions (Cont'd)

Service Commission

Primary Toll Carrier (PTC)

The term "Primary Toll Carrier" (PTC) denotes a Local Exchange Carrier that has the responsibility for all intraLATA toll traffic which originates within its toll complex, regardless of the identity of the provider of local exchange service.

Protocol

A set of rules governing the format to be followed when transmitting information between communicating devices.

Public Pay Telephone

The term "Public Pay Telephone" denotes a switched coin line provided under the Public Telephone Service regulations of the Telephone Company General Exchange and/or Local Exchange Tariffs.

Query

The term "Query" denotes a Signaling System 7 (SS7) message requesting specific information from a data base.

Recoverable Cost

The term "Recoverable Cost" denotes the cost of specially constructed facilities for which the Telephone Company has a foreseeable reuse, either in place or elsewhere should the customer terminate service.

Registered Equipment

The term "Registered Equipment" denotes the customer's terminal equipment which complies with or has been approved within the Registration Provisions of Part 68 of the FCC Rules and Regulations.

Release Message

The term "Release Message" denotes an SS7 Message sent in either direction to indicate that a specific circuit is being released.

Route Mileage

The term "Route Mileage" denotes the actual Telephone Company provided facility mileage of a transmission circuit.

Missouri Public

Issued: July 18, 2002

Jeffrey Glover
Vice President External Relations
Monroe, Louisiana

Effective: September 1, 2002

FILED SEP 01 2002

TM ~~SE~~-02-232
Service Commission

CANCELLED - Missouri Public Service Commission - 02/16/2023 - TN-2023-0237 - Y1-2023-0144

FACILITIES FOR INTRASTATE ACCESS

Missouri Public

REC'D JUL 15 2002

2. GENERAL REGULATIONS (Cont'd)

Service Commission

2.6 Definitions (Cont'd)

Secondary Exchange Carrier

The term "Secondary Exchange Carrier" (SEC) denotes the telephone company in whose exchange a customer does not subscribe to FGA, FGB, BSA-A or BSA-B service, but from whose exchange the customer's end users can call the interexchange switch or CDL of an IC in the primary exchange of another telephone company on a toll-free basis.

Semi-Public Pay Telephone

The term "Semi-Public Pay Telephone" denotes a switched coin line provided under the Semi-Public telephone Service regulations of the Telephone Company General and/or Local Tariffs.

Service Date

The term "Service Date" denotes the date that the FIA is to be placed in service. A confirmed ASR is required to establish a service date.

Seven-Digit Manual Test Line

The term "Seven-Digit Manual Test Line" denotes a set of optional features for all Switched Access which allow the IC to select balance, milliwatt, and synchronous test lines of FGA and BSA-A, by manually dialing a seven-digit number over the associated Switched Access.

Short Circuit Test Line

The term "Short Circuit Test Line" denotes the end office circuit which provides an ac short circuit termination of the trunk or line by means of a capacitor of at least 4 microfarads.

Signaling System 7 (SS7)

The term "Signaling System 7 (SS7)" denotes the layered protocol used for standardized common channel signaling in the United States.

Missouri Public

CANCELLED - Missouri Public Service Commission - 02/16/2023 - TN-2023-0237 - Y1-2023-0144

FACILITIES FOR INTRASTATE ACCESS

2. GENERAL REGULATIONS (Cont'd)

2.6 Definitions (Cont'd)

Statistical Multiplexing

The term "Statistical Multiplexing" denotes a technique in which timeslots are dynamically allocated on the basis of need rather than being predetermined. The data is typically transmitted on a first come, first served basis.

Synchronous Test Line

The term "Synchronous Test Line" denotes an arrangement of an end office which performs marginal operational tests of supervisory and ring-tripping functions.

Tandem-Switched Transport

The term "Tandem-Switched Transport" denotes switched access transport from the access tandem to an end office subtending that tandem. Tandem-switched transport consists of circuits used in common by multiple access customers from the tandem to the end office.

Telecommunications Service Priority (TSP) System

The term "Telecommunications Service Priority (TSP) System" or "TSP System" refers to the regulatory, administrative and operational system authorizing and providing for priority treatment (i.e., the provisioning and restoration) of NSEP Services.

Temporary Facilities

The term "Temporary Facilities" denotes facilities used to provide FIA to a customer for less than the minimum service period or less than one month, whichever is longer, or to provide FIA while permanent facilities are being constructed.

Terminating Direction

The term "Terminating Direction" denotes the use of Switched Access for the completion of calls from a CDL to an end user.

(N)
|
(N)

Material omitted from this page now appears on Original Sheet 39.1.

ISSUED: May 1, 2012

Gary Kepley
Director - Regulatory Operations
Overland Park, Kansas

EFFECTIVE: July 3, 2012

FILED
Missouri Public
Service Commission
TT-2012-0317, YI-2012-0633

CANCELLED - Missouri Public Service Commission - 02/16/2023 - TN-2023-0237 - YI-2023-0144

FACILITIES FOR INTRASTATE ACCESS

2. GENERAL REGULATIONS (Cont'd)

2.6 Definitions (Cont'd)

Statistical Multiplexing

The term "Statistical Multiplexing" denotes a technique in which timeslots are dynamically allocated on the basis of need rather than being predetermined. The data is typically transmitted on a first come, first served basis.

Synchronous Test Line

The term "Synchronous Test Line" denotes an arrangement of an end office which performs marginal operational tests of supervisory and ring-tripping functions.

Telecommunications Service Priority (TSP) System

The term "Telecommunications Service Priority (TSP) System" or "TSP System" refers to the regulatory, administrative and operational system authorizing and providing for priority treatment (i.e., the provisioning and restoration) of NSEP Services.

Temporary Facilities

The term "Temporary Facilities" denotes facilities used to provide FIA to a customer for less than the minimum service period or less than one month, whichever is longer, or to provide FIA while permanent facilities are being constructed.

Terminating Direction

The term "Terminating Direction" denotes the use of Switched Access for the completion of calls from a CDL to an end user.

Toll VoIP-PSTN Traffic

The term "Toll VoIP-PSTN Traffic" denotes a customer's interexchange voice traffic exchanged with the Telephone Company in Time Division Multiplexing format over PSTN facilities, which originates and/or terminates in Internet Protocol (IP) format. "Toll VoIP-PSTN Traffic" originates and/or terminates in IP format when it originates from and/or terminates to an end user customer of a service that requires IP-compatible customer premises equipment.

Trunk

The term "Trunk" denotes a communications path connecting two switching systems in a network, used in an end-to-end connection.

Trunk Group

The term "Trunk Group" denotes a grouping of trunks which are traffic engineered as a unit for the establishment of connections between switching systems in which all of the communications paths are interchangeable.

FACILITIES FOR INTRASTATE ACCESS

Missouri Public

REC'D JUL 15 2002

Service Commission

2. GENERAL REGULATIONS (Cont'd)

2.6 Definitions (Cont'd)

Statistical Multiplexing

The term "Statistical Multiplexing" denotes a technique in which timeslots are dynamically allocated on the basis of need rather than being predetermined. The data is typically transmitted on a first come, first served basis.

Synchronous Test Line

The term "Synchronous Test Line" denotes an arrangement of an end office which performs marginal operational tests of supervisory and ring-tripping functions.

Telecommunications Service Priority (TSP) System

The term "Telecommunications Service Priority (TSP) System" or "TSP System" refers to the regulatory, administrative and operational system authorizing and providing for priority treatment (i.e., the provisioning and restoration) of NSEP Services.

Temporary Facilities

The term "Temporary Facilities" denotes facilities used to provide FIA to a customer for less than the minimum service period or less than one month, whichever is longer, or to provide FIA while permanent facilities are being constructed.

Terminating Direction

The term "Terminating Direction" denotes the use of Switched Access for the completion of calls from a CDL to an end user.

Trunk

The term "Trunk" denotes a communications path connecting two switching systems in a network, used in an end-to-end connection.

Trunk Group

The term "Trunk Group" denotes a grouping of trunks which are traffic engineered as a unit for the establishment of connections between switching systems in which all of the communications paths are interchangeable.

Missouri Public

Issued: July 18, 2002

Jeffrey Glover
Vice President External Relations
Monroe, Louisiana

Effective: September 1, 2002
FILED SEP 01 2002
TM 02-232
Service Commission

CANCELLED
January 18, 2012
Missouri Public
Service Commission
JI-2012-0278

FACILITIES FOR INTRASTATE ACCESS

2. GENERAL REGULATIONS (Cont'd)

2.6 Definitions (Cont'd)

Toll Free Code (TFC)

The term "Toll Free Code" denotes a three-digit Numbering Plan Area (NPA) or Area Code that is specifically assigned by the telecommunications industry for use by Telecommunications Service Providers in the provision of telephone numbers that, unlike traditional telephone numbers and calls, when dialed are toll free to the originating caller. The specific codes assigned and used, or reserved for use, for this purpose are 800, 822, 833, 844, 855, 866, 877, and 888.

(N)
|
(N)

Toll VoIP-PSTN Traffic

The term "Toll VoIP-PSTN Traffic" denotes a customer's interexchange voice traffic exchanged with the Telephone Company in Time Division Multiplexing format over PSTN facilities, which originates and/or terminates in Internet Protocol (IP) format. "Toll VoIP-PSTN Traffic" originates and/or terminates in IP format when it originates from and/or terminates to an end user customer of a service that requires IP-compatible customer premises equipment.

Trunk

The term "Trunk" denotes a communications path connecting two switching systems in a network, used in an end-to-end connection.

Trunk Group

The term "Trunk Group" denotes a grouping of trunks which are traffic engineered as a unit for the establishment of connections between switching systems in which all of the communications paths are interchangeable.

Issued: May 14, 2021

Effective: July 1, 2021

MO2021-06

Chantel Bosworth
Director Government Operations
Monroe, Louisiana

FILED
Missouri Public
Service Commission
JI-2021-0198

CANCELLED - Missouri Public Service Commission - 02/16/2023 - TN-2023-0237 - YI-2023-0144

FACILITIES FOR INTRASTATE ACCESS

2. GENERAL REGULATIONS (Cont'd)

2.6 Definitions (Cont'd)

Toll VoIP-PSTN Traffic

The term "Toll VoIP-PSTN Traffic" denotes a customer's interexchange voice traffic exchanged with the Telephone Company in Time Division Multiplexing format over PSTN facilities, which originates and/or terminates in Internet Protocol (IP) format. "Toll VoIP-PSTN Traffic" originates and/or terminates in IP format when it originates from and/or terminates to an end user customer of a service that requires IP-compatible customer premises equipment.

Trunk

The term "Trunk" denotes a communications path connecting two switching systems in a network, used in an end-to-end connection.

Trunk Group

The term "Trunk Group" denotes a grouping of trunks which are traffic engineered as a unit for the establishment of connections between switching systems in which all of the communications paths are interchangeable.

(N)

(N)

(M)

(M)

Certain material appearing on this page formerly appeared on 1st Revised Sheet 39.

ISSUED: May 1, 2012

Gary Kepley
Director - Regulatory Operations
Overland Park, Kansas

EFFECTIVE: July 3, 2012

FILED
Missouri Public
Service Commission
TT-2012-0317, YI-2012-0633

CANCELLED
July 1, 2021
Missouri Public
Service Commission
JI-2021-0198

FACILITIES FOR INTRASTATE ACCESS

Missouri Public

REC'D JUL 15 2002

2. GENERAL REGULATIONS (Cont'd)

Service Commission

2.6 Definitions (Cont'd)

Trunk Side Connection

The term "Trunk Side Connection" denotes the connection of a transmission path to the trunk side of an end office switch.

V&H Coordinates Method

The term "V&H Coordinates Method" denotes a method of computing airline miles between two points by utilizing an established formula which is based on the Vertical (V) and Horizontal (H) coordinates of the two points.

WATS Serving Office

The term "WATS Serving Office" denotes a Telephone Company designated serving wire center where switching, screening and/or recording functions are performed in connection with a Special Access Line used with a Switching Interface as in 4.2.5(V). #

Wire Center

The term "Wire Center" denotes a location in which one or more central office switches, and cross connection equipment used for the provision of Telephone Company telecommunications services, are located.

Wire Center Area

The term "Wire Center Area" denotes the geographic area served by a Wire Center through the use of central office switching equipment, cross connection equipment, and subscriber loops.

The use of the terms WATS or WATS-type throughout this tariff is primarily for ordering purposes and is not intended to restrict the use of the customer services when ordering Special Access and Switched Access in combination.

Issued: July 18, 2002

Jeffrey Glover
Vice President External Relations
Monroe, Louisiana

Missouri Public

Effective: September 1, 2002

FILED SEP 01 2002

TM # 02-232
Service Commission

CANCELLED - Missouri Public Service Commission - 02/16/2023 - TN-2023-0237 - Y1-2023-0144

FACILITIES FOR INTRASTATE ACCESS

Missouri Public

REC'D JUL 15 2002

2. GENERAL REGULATIONS (Cont'd)

Service Commission

2.7 FIA Services Provided By More Than One Telephone Company

(A) When Switched Transport or Special Transport service is provided by more than one telephone company, the telephone companies involved will mutually agree upon one of the billing methods based upon the type of access service and the interconnection arrangements between the telephone companies.

The telephone company will notify the customer which billing method will be used. The customer will place the ASR as in 3.3.

(1) Single Company Billing

The Single Company Billing method may be applied to FGA and BSA-A Switched Access Service.

The telephone company receiving the ASR from the customer, as specified in 3.3(A)(1), will arrange to provide the service, determine the applicable charges and bill the customer for the entire service in accordance with its Access tariff. The airline mileage is determined using the V&H method in the Exchange Carrier Association (ECA) Tariff FCC No. 4. (*)

(2) Meet Point Billing:

Meet Point Billing is required when an access service is provided by multiple Telephone Companies for FGB, FGC, FGD, BSA-B, BSA-C and BSA-D Switched Access services and Special Access. It is optional for FGA and BSA-A Switched Access Services.

There are two Meet Point Billing Options -- Single Bill and Multiple Bill. The Telephone Company must notify the customer of:

- the Meet Point Billing Option that will be used,
- the Telephone Company(s) that will render the bill(s),
- the Telephone Company(s) to whom payment(s) should be remitted, and
- the Telephone Company(s) that will provide the bill inquiry function.

The Telephone Company shall provide such notification at the time that an ASR is placed requesting access service. Additionally, the Telephone Company shall provide this notice in writing 30 days in advance of any change.

(a) Single Bill Option

The Single Bill Option allows the customer to receive one bill from one telephone company or its billing agent for access services.

The Telephone Company(s) that renders the bill to the customer may provide to the customer, cross references to the other Telephone Company(s) service and/or the common circuit identifiers based upon industry standards as contained in the MECAB document. Should a billing dispute arise, the terms and conditions of the Billing Company(s) will apply.

(*) For intraLATA LEC to LEC traffic, percentages of ownership will be determined by the V&H coordinates located in the Missouri Intrastate IntraLATA Compensation Plan Database.

Missouri Public

Issued: July 18, 2002

Jeffrey Glover
Vice President External Relations
Monroe, Louisiana

Effective: September 1, 2002
FILED SEP 01 2002

TM #02-232
Service Commission

CANCELLED - Missouri Public Service Commission - 02/16/2023 - TN-2023-0237 - Y1-2023-0144

FACILITIES FOR INTRASTATE ACCESS

2. GENERAL REGULATIONS (Cont'd)

2.7 FIA Services Provided By More Than One Telephone Company (Cont'd)

(A) (Cont'd)

(2) Meet Point Billing (Cont'd)

(a) Single Bill Option (Cont'd)

For usage rated access services the access minutes of use will be compiled by the Initial Billing Company and used by the Initial Billing Company and any subsequent Billing Company(s) for the development of access charges.

- The Initial Billing Company for FGB, FGC, FGD, BSA-B, BSA-C and BSA-D Switched Access services is normally the end user's serving office and for WATS usage the Initial Billing Company is normally the WATS serving office. When the Initial Billing Company is other than the normally designated Telephone Company, the Telephone Company will notify the customer.
- The Subsequent Billing Company(s) is any Telephone Company(s) in whose territory a segment of the Switched Transport Facility is provided and/or where the CDL is located.

The Single Bill option provides three billing alternative, Single Bill/Single Tariff, Single Bill/Pass-Through Billing and Single Bill/Multiple Tariff which are described following:

(C)
|
(C)

Single Bill/Single Tariff

Each Telephone Company will receive an ASR or a copy of the ASR from the customer as specified in 3.3(A)(2) and arrange to provide the service. The Initial Billing Company will:

- determine the applicable charges and bill in accordance with its tariff;
- include all recurring and nonrecurring rates and charges of its tariff; and
- forward the bill to the customer.

The customer will remit the payment to the Initial Billing Company.

ISSUED: May 1, 2012

Gary Kepley
Director - Regulatory Operations
Overland Park, Kansas

EFFECTIVE: July 3, 2012

FILED
Missouri Public
Service Commission
TT-2012-0317, YI-2012-0633

CANCELLED - Missouri Public Service Commission - 02/16/2023 - TN-2023-0237 - YI-2023-0144

FACILITIES FOR INTRASTATE ACCESS

Missouri Public

REC'D JUL 15 2002

2. GENERAL REGULATIONS (Cont'd)

2.7 FIA Services Provided By More Than One Telephone Company (Cont'd)

Service Commission

(A) (Cont'd)

(2) Meet Point Billing (Cont'd)

(a) Single Bill Option (Cont'd)

For usage rated access services the access minutes of use will be compiled by the Initial Billing Company and used by the Initial Billing Company and any subsequent Billing Company(s) for the development of access charges.

- The Initial Billing Company for FGB, FGC, FGD, BSA-B, BSA-C and BSA-D Switched Access services is normally the end user's serving office and for WATS usage the Initial Billing Company is normally the WATS serving office. When the Initial Billing Company is other than the normally designated Telephone Company, the Telephone Company will notify the customer.
- The Subsequent Billing Company(s) is any Telephone Company(s) in whose territory a segment of the Switched Transport Facility is provided and/or where the CDL is located.

The Single Bill option provides for Single Bill/Single Tariff which is described following:

Single Bill/Single Tariff

Each Telephone Company will receive an ASR or a copy of the ASR from the customer as specified in 3.3(A)(2) and arrange to provide the service. The Initial Billing Company will:

- determine the applicable charges and bill in accordance with its tariff;
- include all recurring and nonrecurring rates and charges of its tariff; and
- forward the bill to the customer.

The customer will remit the payment to the Initial Billing Company.

Missouri Public

Issued: July 18, 2002

CANCELED
July 2, 2013
Missouri Public
Service Commission
JI-2013-0493

Jeffrey Glover
Vice President External Relations
Monroe, Louisiana

Effective: September 1, 2002

FILED SEP 01 2002
TM 02-232
Service Commission

FACILITIES FOR INTRASTATE ACCESS

2. GENERAL REGULATIONS (Cont'd)

(N)

2.7 FIA Services Provided By More Than One Telephone Company (Cont'd)

(A) (Cont'd)

(2) Meet Point Billing (Cont'd)

(a) Single Bill Option (Cont'd)

Single Bill/Pass-Through Billing

Each Telephone Company will receive an ASR or a copy of the ASR from the customer as specified in 3.3(A)(2) and arrange to provide the service.

Each Telephone Company will:

- determine its portion of Switched Transport and/or Special Transport as in 2.7(A)(2)(c);
- determine the applicable charges and bill in accordance with its tariff;
- include all recurring and nonrecurring rates and charges of its tariff; and
- forward the bill to the Initial Billing Company for meet point billed access services.

The Initial Billing Company will:

- apply usage data, when needed, to the bill and calculate the charges;
- identify each involved Telephone Company's charges separately on the bill;
- combine all the bills of the involved Telephone Companies of a meet point billed access service into one access bill;
- forward the bill to the customer; and
- advise the customer how to remit the payment, either directly to each Telephone Company involved in the provision of this meet point billed service; or, as a single payment made to the Initial Billing Company. If payments are to be sent directly to the Initial Billing Company, the Subsequent Billing Company(s) will provide the customer with written authorization for the payment arrangement.

(N)

ISSUED: May 1, 2012

Gary Kepley
Director - Regulatory Operations
Overland Park, Kansas

EFFECTIVE: July 3, 2012

FILED
Missouri Public
Service Commission
TT-2012-0317, YI-2012-0633

FACILITIES FOR INTRASTATE ACCESS

2. GENERAL REGULATIONS (Cont'd)

2.7 FIA Services Provided By More Than One Telephone Company (Cont'd)

(A) (Cont'd)

(2) Meet Point Billing (Cont'd)

(b) Multiple Bill Option

The Multiple Bill option allows all Telephone Companies providing service to bill the customer for their portion of a jointly provided access service. Each Telephone Company will:

- determine its portion of the Switched Transport and/or Special Transport as set forth in 2.7(A)(2)(c);
- determine the applicable charges and bill in accordance with its tariff;
- include all recurring and nonrecurring rates and charges of its tariff; and
- forward the bill to the customer.

The customer will remit the payments directly to each Telephone Company.

(D)

(D)

ISSUED: May 1, 2017

Gary Kepley
Director - Regulatory Operations
New Century, Kansas

EFFECTIVE: July 1, 2017

FILED
Missouri Public
Service Commission
YI-2017-0228

CANCELLED - Missouri Public Service Commission - 02/16/2023 - TN-2023-0237 - YI-2023-0144

FACILITIES FOR INTRASTATE ACCESS

2. GENERAL REGULATIONS (Cont'd)

2.7 FIA Services Provided By More Than One Telephone Company (Cont'd)

(A) (Cont'd)

(2) Meet Point Billing (Cont'd)

(b) Multiple Bill Option

The Multiple Bill option allows all Telephone Companies providing service to bill the customer for their portion of a jointly provided access service. Each Telephone Company will:

- determine its portion of the Switched Transport and/or Special Transport as set forth in 2.7(A)(2)(c);
- determine the applicable charges and bill in accordance with its tariff;
- include all recurring and nonrecurring rates and charges of its tariff; and
- forward the bill to the customer.

The customer will remit the payments directly to each Telephone Company.

(c) Meet Point Billing Mileage Calculation

Each Telephone Company's portion of the Switched Transport and/or Special Transport mileage will be determined as follows:

- (1) For Switched Access Tandem-Switched Transport Services, determine the appropriate Tandem-Switched Transport - Facility total miles by computing the number of miles from the access tandem to the serving wire center in the Access Area (i.e., end user serving wire center, or WATS Serving Office), using the V&H method as set forth in the NECA Tariff FCC No. 4. For Special Access Services, and Switched Access Direct-Trunked Transport determine the appropriate Special Transport or Direct-Trunked Transport total miles by computing the number of miles between the serving wire centers involved (i.e., CDL serving wire center, Hub Wire Center, WATS Serving Office, end office, or access tandem) using the V&H method as set forth in the NECA Tariff FCC No. 4. Where the calculated miles include a fraction, the value is rounded up to the next full mile. (C)
- (2) Determine the billing percentage (BP), as set forth in the NECA Tariff FCC No. 4(*). This represents the portion of the Service provided by each telephone company.
- (3) For Switched Access Tandem-Switched Transport; (a) multiply the number of access minutes of use times the number of airline miles as set forth in (1), times the BP of each Telephone Company as set forth in (2), times the Tandem-Switched Transport - Facility rate; (b) multiply the Tandem-Switched Transport - Termination rate times the number of access minutes times the quantity of terminations. (C)

(*) For intraLATA LEC to LEC traffic, percentages of ownership will be determined by the V&H coordinates located in the Missouri Intrastate IntraLATA Compensation Plan Database.

ISSUED: May 1, 2012

EFFECTIVE: July 3, 2012

Gary Kepley
Director - Regulatory Operations
Overland Park, Kansas

FILED
Missouri Public
Service Commission
TT-2012-0317, YI-2012-0633

CANCELLED
July 1, 2017
Missouri Public
Service Commission
YI-2017-0228

FACILITIES FOR INTRASTATE ACCESS

Missouri Public

REC'D JUL 15 2002

Service Commission

2. GENERAL REGULATIONS (Cont'd)

2.7 FIA Services Provided By More Than One Telephone Company (Cont'd)

(A) (Cont'd)

(2) Meet Point Billing (Cont'd)

(b) Multiple Bill Option

The Multiple Bill option allows all Telephone Companies providing service to bill the customer for their portion of a jointly provided access service. Each Telephone Company will:

- determine its portion of the Switched Transport and/or Special Transport as set forth in 2.7(A)(2)(c);
- determine the applicable charges and bill in accordance with its tariff;
- include all recurring and nonrecurring rates and charges of its tariff; and
- forward the bill to the customer.

The customer will remit the payments directly to each Telephone Company.

(c) Meet Point Billing Mileage Calculation

Each Telephone Company's portion of the Switched Transport and/or Special Transport mileage will be determined as follows:

- (1) For Switched Access Services, determine the appropriate Switched Transport Facility total miles by computing the number of miles from the wire center that normally serves the CDL to the serving wire center in the Access Area (i.e., end user serving wire center, or WATS Serving Office), using the V&H method as set forth in the NECA Tariff FCC No. 4.(*) For Special Access Services, determine the appropriate Special Transport total miles by computing the number of miles between the serving wire centers involved (i.e., CDL serving wire center or Hub Wire Center or WATS Serving Office) using the V&H method as set forth in the NECA Tariff FCC No. 4.(*) Where the calculated miles include a fraction, the value is always rounded up to the next full mile.
- (2) Determine the billing percentage (BP), as set forth in the NECA Tariff FCC No. 4.(*) This represents the portion of the Service provided by each telephone company.
- (3) For Switched Access Service, using the BP method; (a) multiply the number of access minutes of use times the number of airline miles as set forth in (1), times the BP of each Telephone Company as set forth in (2), times the Switched Transport Facility rate; (b) multiply the Switched Transport Termination rate times the number of access minutes times the quantity of terminations.

(*) For intraLATA LEC to LEC traffic, percentages of ownership will be determined by the V&H coordinates located in the Missouri IntraState IntraLATA Compensation Plan Database.

Issued: July 18, 2002

CANCELED
July 2, 2013
Missouri Public
Service Commission
JI-2013-0493

Jeffrey Glover
Vice President External Relations
Monroe, Louisiana

Effective: September 1, 2002

Missouri Public
FILED SEP 01 2002
TM # 02-232
Service Commission

FACILITIES FOR INTRASTATE ACCESS

2. GENERAL REGULATIONS (Cont'd)

2.7 FIA Services Provided By More Than One Telephone Company (Cont'd)

(A) (Cont'd)

(2) Meet Point Billing (Cont'd)

(c) Determination of Meet Point Billed Local Transport, Direct Transport and Channel Mileage Charges

(D) (N)

Each Telephone Company's portion of the Local Transport and Channel mileage will be developed as follows:

(1) Determine the appropriate Local Transport or Channel Mileage by computing the number of airline miles between the Telephone Company premises (end office, access tandem or serving wire centers for Switched Access or serving wire centers for Special Access) using the V&H method set forth in National Exchange Carrier Association, Inc. Tariff F.C.C. No. 4.

(2) Determine the billing percentage (BP), as set forth in National Exchange Carrier Association, Inc. Tariff F.C.C. No. 4 *, which represents the portion of the service provided by each Telephone Company.

(3) When Terminating Tandem Switched Transport is provided through a CenturyLink Operating Company (CLOC) ILEC Access Tandem and the Terminating End Office is not owned by any CLOC ILEC or through an ILEC Access Tandem not owned by a CLOC ILEC and the Terminating End Office is owned by a CLOC ILEC, Terminating – Tandem 3rd Party rates are applicable; otherwise, Terminating – Tandem End Office rates are applicable. When originating Tandem Switched Transport is provided, Originating rates are applicable. For Feature Groups A, B, C and D Tandem Switched Transport:

- multiply the number of originating and terminating access minutes of use routed over the facility times the number of airline miles, as set forth in (a) preceding, times the BP for each Telephone Company, as set forth in (b) preceding, times the Tandem Switched Facility rate;

- multiply the Tandem Switched Termination rate times the number of originating and terminating access minutes routed over the facility

(*) For intraLATA LEC to LEC traffic, percentages of ownership will be determined by the V&H coordinates located in the Missouri Intrastate IntraLATA Compensation Plan Database.

(D) (N)

ISSUED: May 1, 2017

EFFECTIVE: July 1, 2017

Gary Kepley
Director - Regulatory Operations
New Century, Kansas

FILED
Missouri Public
Service Commission
YI-2017-0228

CANCELLED - Missouri Public Service Commission - 02/16/2023 - TN-2023-0237 - YI-2023-0144

FACILITIES FOR INTRASTATE ACCESS

2. GENERAL REGULATIONS (Cont'd)

2.7 FIA Services Provided By More Than One Telephone Company (Cont'd)

(A) (Cont'd)

(2) Meet Point Billing (Cont'd)

(c) Meet Point Billing Mileage Calculation (Cont'd)

(3) (Cont'd)

Example of Billing Percentage (BP) Method Using the Multiple Bill Option:

The Switched Transport Facility between Office X and Office Y is jointly provided by telephone companies A and B. The following example reflects the rate for telephone company A. Rates for telephone company B would appear in its appropriate Access Tariff.

(A) Airline miles from telephone company A (office X) to telephone company B (office Y) = 50 airline miles as set forth in NECA Tariff FCC No. 4.(*)

(B) Billing Percentage for each telephone company (from NECA Tariff FCC No. 4 (*)).

Telephone Company A = 40%
Telephone Company B = 60%

(C) Access Minutes for Telephone Company A = 9000.

(D) Tandem-Switched Transport-Facility rate for Telephone Company A = SWT FAC (C)

(E) Tandem-Switched Transport-Termination rate = SWT TERM (C)

NOTE: The Tandem-Switched Transport-Termination rate does not apply in situations where there is an intermediate, non-terminating Local Exchange Carrier involved in the provision of the Switched Transport Facility. (C)

Formula:

Access Minutes (AM) x Airline Miles (ALM) x Billing Percentage (BP) x Switched Transport Facility Rate (SWT FAC) + [Tandem-Switched Transport Termination Rate (SWT TERM) x Access Minutes (AM) x Quantity of Terminations (TERMS)] = Total (C)

Calculation:

Telephone Company A

AM ALM BP SWT FAC SWT TERM AM TERMS
9,000 x 50 x .40 x SWT FAC + [SWT TERM x 9,000 x TERMS]=TOTAL

(4) For Special Access and for Switched Access Direct-Trunked Transport, multiply the number of airline miles as in (1), times the BP for each telephone company as in (2), times the Special Transport or Direct-Trunked Transport Facility rate elements. For DS1 and DS3 Special Transport and DS1 and DS3 Direct-Trunked Transport, multiply the Special Transport Termination or Direct-Trunked Transport Termination rate times the number of terminations provided by the Telephone Company. (C)

(*) For intraLATA LEC to LEC traffic, percentages of ownership will be determined by the V&H coordinates located in the Missouri Intrastate IntraLATA Compensation Plan Database.

ISSUED: May 1, 2012

EFFECTIVE: July 3, 2012

Gary Kepley
Director - Regulatory Operations
Overland Park, Kansas

FILED
Missouri Public
Service Commission
TT-2012-0317, YI-2012-0633

CANCELLED
July 1, 2017
Missouri Public
Service Commission
YI-2017-0228

FACILITIES FOR INTRASTATE ACCESS

Missouri Public

REC'D JUL 15 2002

Service Commission

2. GENERAL REGULATIONS (Cont'd)

2.7 FIA Services Provided By More Than One Telephone Company (Cont'd)

(A) (Cont'd)

(2) Meet Point Billing (Cont'd)

(c) Meet Point Billing Mileage Calculation (Cont'd)

(3) (Cont'd)

Example of Billing Percentage (BP) Method Using the Multiple BTJ Option:

The Switched Transport Facility between Office X and Office Y is jointly provided by telephone companies A and B. The following example reflects the rate for telephone company A. Rates for telephone company B would appear in its appropriate Access Tariff.

(A) Airline miles from telephone company A (office X) to telephone company B (office Y) = 50 airline miles as set forth in NECA Tariff FCC No. 4. (*)

(B) Billing Percentage for each telephone company (from NECA Tariff FCC No. 4 (*)).

Telephone Company A = 40%
Telephone Company B = 60%

(C) Access Minutes for Telephone Company A = 9000.

(D) Switched Transport Facility rate for Telephone Company A = SWT FAC

(E) Switched Transport Termination Rate = SWT TERM

NOTE: The Switched Transport Termination rate does not apply in situations where there is an intermediate, non-terminating Local Exchange Carrier involved in the provision of the Switched Transport Facility.

Formula:

Access Minutes (AM) x Airline Miles (ALM) x Billing Percentage (BP) x Switched Transport Facility Rate (SWT FAC) + [Switched Transport Termination Rate (SWT TERM) x Access Minutes (AM) x Quantity of Terminations (TERMS)] = Total

Calculation:

Telephone Company A

AM ALM BP SWT FAC SWT TERM AM TERMS
9,000 x 50 x .40 x SWT FAC + [SWT TERM x 9,000 x TERMS] = TOTAL

(4) For Special Access, multiply the number of airline miles as in (1), times the BP for each telephone company as in (2), times the Special Transport rate.

(*) For intraLATA LEC to LEC traffic, percentages of ownership will be determined by the V&H coordinates located in the Missouri Intrastate IntraLATA Compensation Plan Database.

Missouri Public

Issued: July 18, 2002
CANCELED
July 2, 2013
Missouri Public
Service Commission
JI-2013-0493

Jeffrey Glover
Vice President External Relations
Monroe, Louisiana

Effective: September 1, 2002

FILED SEP 01 2002
TM 02-232
Service Commission

FACILITIES FOR INTRASTATE ACCESS

2. GENERAL REGULATIONS (Cont'd)

2.7 FIA Services Provided By More Than One Telephone Company (Cont'd)

(A) (Cont'd)

(2) Meet Point Billing (Cont'd)

(c) Determination of Meet Point Billed Local Transport, Direct Transport and Channel Mileage Charges (Cont'd)

(D) (N)

(4) For Feature Groups A, B, C and D Tandem Switched Transport: (Cont'd)

The Tandem Switched Termination rate is applied as set forth in 4.2.3 following. The Switched Access Nonrecurring Charges are applied as set forth in 4.2 following. (Note: The BP is not applied to the Switched Access Tandem Switched Termination rate or any Nonrecurring Charge.)

(5) For Feature Groups A, B, C, and D Direct Trunked Transport:

- multiply the number of airline miles, as set forth in (a) preceding, times the BP for each Telephone Company, as set forth in (b) preceding, times the Direct Trunked Facility rate.

- The Direct Trunked Termination rate is applied as set forth in 4.2.3 following. The Switched Access Nonrecurring Charges are applied as set forth in 4.2 following. (Note: The BP is not applied to either the Switched Access Direct Trunked Termination rate or any Nonrecurring Charge.)

(6) For Feature Groups A, B, C, and D.

- The Billing Percentage (BP) is not applicable to the Entrance Facility or Multiplexer.

(7) For Special Access, multiply the number of airline miles, as set forth in (a) preceding, times the BP for each Telephone Company, as set forth in (b) preceding, times the Channel Mileage Facility rate and add the Channel Mileage Termination rate.

The Special Access Channel Mileage Termination rate and nonrecurring charges are applied as set forth in 5.1.1 following. (Note: The BP is not applied to either the Channel Mileage Termination Recurring Rate or any Nonrecurring Charge.)

(D) (N)

ISSUED: May 1, 2017

EFFECTIVE: July 1, 2017

Gary Kepley
Director - Regulatory Operations
New Century, Kansas

FILED
Missouri Public
Service Commission
YI-2017-0228

FACILITIES FOR INTRASTATE ACCESS

2. GENERAL REGULATIONS (Cont'd)

2.7 FIA Services Provided By More Than One Telephone Company (Cont'd)

(A) (Cont'd)

(2) Meet Point Billing (Cont'd)

- (d) All other appropriate recurring and nonrecurring charges in each telephone company's Access tariff are applicable.
- (e) Where the Tandem-Switched Transport - Facility is provided by more than one telephone company, the Tandem-Switched Transport - Termination rate applies for the termination at the Telephone Company end of the Tandem-Switched Transport (i.e., the first point of switching or the end office serving the end user). The Tandem-Switched Transport - Termination rate will not apply when the Telephone Company is the intermediate provider of the Switched Transport Facility. (C)
- (f) The Interconnection charge for Switched Transport shall be billed by the Telephone Company in whose territory the end office is located. (C)
- (g) The Shared Trunk Port for Tandem-Switched Transport shall be billed by the Telephone Company in whose territory the end office is located. (N)
- (h) For tandem routed trunks, the dedicated trunk port shall be billed by the Telephone Company owning the tandem. For end office direct routed trunks, the dedicated trunk port shall be billed by the Telephone Company owning the end office on a single bill, single tariff or multiple bill, multiple tariff meet point billing arrangement.
- (i) The shared multiplexing charge will be assessed to the interexchange carrier by the Telephone Company owning the access tandem under the multiple bill, multiple tariff meet point billing option, and to the initial billing company, by the Telephone Company owning the access tandem, under the single bill, single tariff meet point billing option. (N)

ISSUED: May 1, 2012

Gary Kepley
Director - Regulatory Operations
Overland Park, Kansas

EFFECTIVE: July 3, 2012

FILED
Missouri Public
Service Commission
TT-2012-0317, YI-2012-0633

CANCELLED
July 1, 2017
Missouri Public
Service Commission
YI-2017-0228

FACILITIES FOR INTRASTATE ACCESS

Missouri Public

REC'D JUL 15 2002

Service Commission

2. GENERAL REGULATIONS (Cont'd)

2.7 FIA Services Provided By More Than One Telephone Company (Cont'd)

(A) (Cont'd)

(2) Meet Point Billing (Cont'd)

- (d) All other appropriate recurring and nonrecurring charges in each telephone company's Access tariff are applicable.
- (e) Where the Switched Transport Facility is provided by more than one telephone company, the Switched Transport Termination rate applies for the termination (i.e., the first point of switching and/or the end office serving the end user) at the Telephone Company end of the Switched Transport Facility. The Switched Transport Termination rate will not apply when the Telephone Company is the intermediate provider of the Switched Transport Facility.

Issued: July 18, 2002

CANCELED
July 2, 2013
Missouri Public
Service Commission
JI-2013-0493

Jeffrey Glover
Vice President External Relations
Monroe, Louisiana

Missouri Public
Effective: September 1, 2002

FILED SEP 01 2002
TM 02-232
Service Commission

FACILITIES FOR INTRASTATE ACCESS

(N)

2. GENERAL REGULATIONS (Cont'd)

2.7 FIA Services Provided By More Than One Telephone Company (Cont'd)

(A) (Cont'd)

(2) Meet Point Billing (Cont'd)

(c) Determination of Meet Point Billed Local Transport, Direct Transport and Channel Mileage Charges (Cont'd)

(8) For Directory Assistance Service, multiply the Direct Transport rate times the number of directory assistance calls times the BP for each Telephone Company, as set forth in (b) preceding.

(9) When three or more Telephone Companies are involved in providing an Access Service, the intermediate Telephone Company(s) will determine the charges as set forth preceding.

Additionally, when a segment of the Tandem Switched Facility, Direct Trunked Facility or Channel Mileage Facility is measured to the intermediate office(s), the Tandem Switched Termination, Direct Trunked Termination or Channel Mileage Termination rates are also applied at the intermediate Telephone Company(s) office(s).

(10) Example 1: Originating Switched Access
(See Diagram 1)

- Feature Group D Switched Access is ordered to End Office.
- Originating End Office and Access Tandem are in the operating territory of a Telephone Company (TC-A).
- Customer Designated Premises is in the operating territory of a Telephone Company (TC-B).
- Assumptions:
 - o TC-A Direct Trunk Transport BP = 40%
 - o TC-B Direct Trunk Transport BP = 60%
 - o Direct Trunked Transport mileage = 26 mi.
 - o Tandem Switched Transport mileage = 23 mi.

(N)

FACILITIES FOR INTRASTATE ACCESS

2. GENERAL REGULATIONS (Cont'd)

2.7 FIA Services Provided By More Than One Telephone Company (Cont'd)

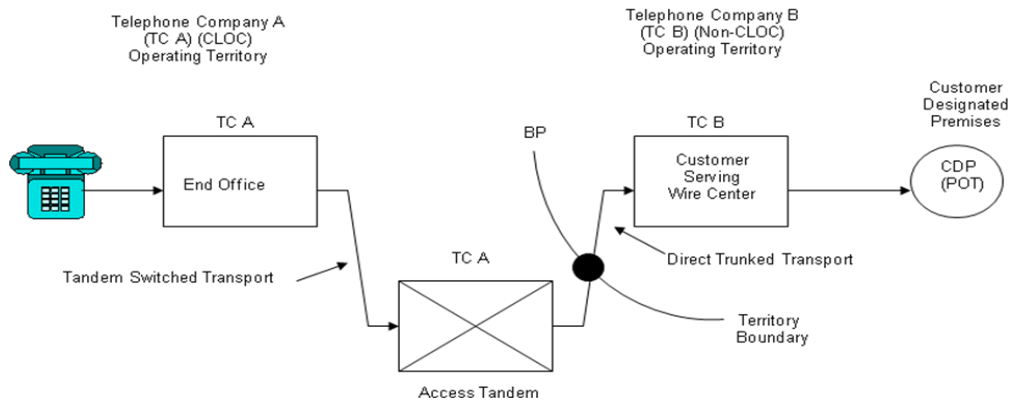
(A) (Cont'd)

(2) Meet Point Billing (Cont'd)

(c) Determination of Meet Point Billed Local Transport, Direct Transport and Channel Mileage Charges (Cont'd)

(10) Example 1: Originating Switched Access (Cont'd)

Diagram 1



(N)

(N)

FACILITIES FOR INTRASTATE ACCESS

(N)

2. GENERAL REGULATIONS (Cont'd)

2.7 FIA Services Provided By More Than One Telephone Company (Cont'd)

(A) (Cont'd)

(2) Meet Point Billing (Cont'd)

(c) Determination of Meet Point Billed Local Transport, Direct Transport and Channel Mileage Charges (Cont'd)

(10) Example 1: Originating Switched Access (Cont'd)
(See Diagram 1)

Telephone Company A charges are:

End Office charges = 9,000 min. x EO rate

Tandem Switched Facility charge
= 9,000 min. x 23 mi. x TSF rate

Tandem Switched Termination charge
= 2 terminations x 9,000 min. x TST rate

Tandem Switching charge
= 9,000 min x TS rate

Direct Trunked Facility charge
= 26 miles x DTF rate x 40%

Direct Trunked Termination charge
= 1 termination x DTT rate

Shared Multiplexing charge
= 9,000 min x SM rate

(N)

CANCELLED - Missouri Public Service Commission - 02/16/2023 - TN-2023-0237 - YI-2023-0144

FACILITIES FOR INTRASTATE ACCESS

(N)

2. GENERAL REGULATIONS (Cont'd)

2.7 FIA Services Provided By More Than One Telephone Company (Cont'd)

(A) (Cont'd)

(2) Meet Point Billing (Cont'd)

(c) Determination of Meet Point Billed Local Transport, Direct Transport and Channel Mileage Charges (Cont'd)

(11) Example 2: Terminating Switched Access – Tandem 3rd Party (See Diagram 2A and 2B)

- Feature Group D Switched Access is ordered to End Office.
- Terminating Access Tandem is owned by CLOC ILEC carrier (TC-A) and End Office is owned by a non-CLOC carrier (TC-B)
- Assumptions:
 - o TC-A Direct Trunk Transport BP = 40% (where applicable Diagram 2A)
 - o TC-B Direct Trunk Transport BP = 60% (where applicable Diagram 2A)
 - o Direct Trunk Transport mileage = 26 mi.
 - o TC-A Tandem Switched Transport BP = 20%
 - o TC-B Tandem Switched Transport BP = 80%
 - o Tandem Switched Transport mileage = 23 mi.

(N)

FACILITIES FOR INTRASTATE ACCESS

2. GENERAL REGULATIONS (Cont'd)

2.7 FIA Services Provided By More Than One Telephone Company (Cont'd)

(A) (Cont'd)

(2) Meet Point Billing (Cont'd)

(c) Determination of Meet Point Billed Local Transport, Direct Transport and Channel Mileage Charges (Cont'd)

(11) Example 2: Terminating Switched Access – Tandem 3rd Party (Cont'd)
(See Diagram 2A and 2B)

Diagram 2A

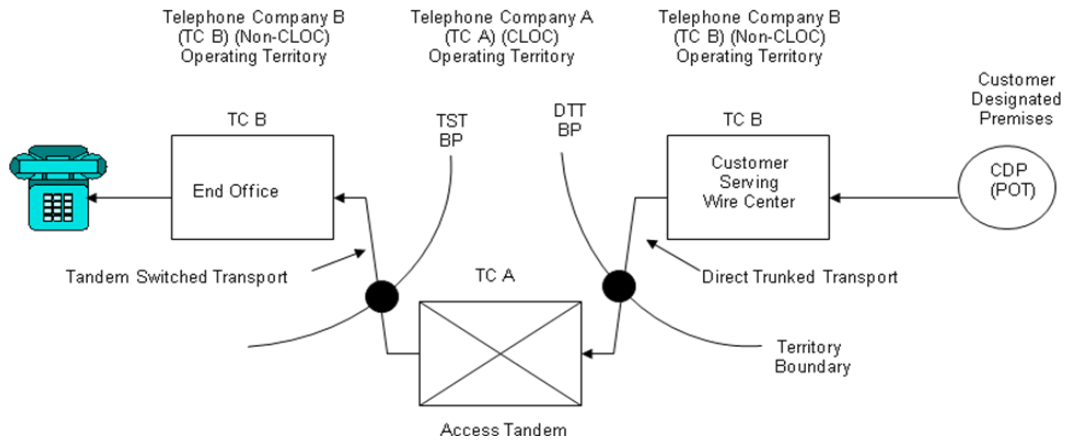
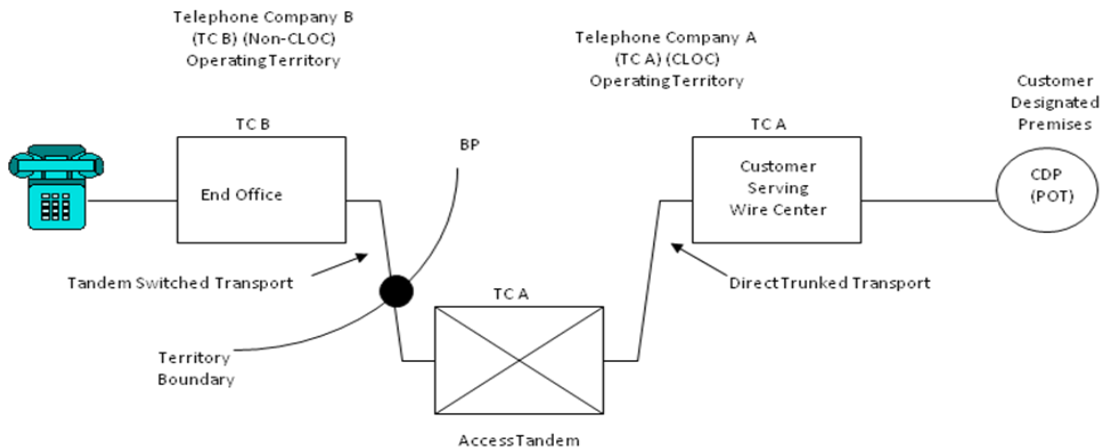


Diagram 2B



BP = Billing Percentage

ISSUED: May 1, 2017

Gary Kepley
Director - Regulatory Operations
New Century, Kansas

EFFECTIVE: July 1, 2017

FILED
Missouri Public
Service Commission
YI-2017-0228

(N)

(N)

CANCELLED - Missouri Public Service Commission - 02/16/2023 - TN-2023-0237 - YI-2023-0144

FACILITIES FOR INTRASTATE ACCESS

(N)

2. GENERAL REGULATIONS (Cont'd)

2.7 FIA Services Provided By More Than One Telephone Company (Cont'd)

(A) (Cont'd)

(2) Meet Point Billing (Cont'd)

(c) Determination of Meet Point Billed Local Transport, Direct Transport and Channel Mileage Charges (Cont'd)

(11) Example 2: Terminating Switched Access – Tandem 3rd Party (Cont'd)
(See Diagram 2A and 2B)

- Example 2 Telephone Company A charges are:

Tandem Switched Facility – 3rd Party charge
= 9,000 min. x 23 mi. x TSF-3rd Party rate x 20%

Tandem Switched Termination – 3rd Party charge
= 1 termination x 9,000 min. x TST-3rd Party rate

Tandem Switching – 3rd Party charge
= 9,000 min. x TS-3rd Party rate

Direct Trunked Facility charge
2A = 26 miles x DTF rate x 40%
2B = 26 miles x DTF rate

Direct Trunked Termination charge
2A = 1 termination x DTT rate
2B = 2 termination x DTT rate

Shared Multiplexing – 3rd Party charge
= 9,000 min x SM-3rd Party rate

(N)

ISSUED: May 1, 2017

EFFECTIVE: July 1, 2017

Gary Kepley
Director - Regulatory Operations
New Century, Kansas

FILED
Missouri Public
Service Commission
YI-2017-0228

CANCELLED - Missouri Public Service Commission - 02/16/2023 - TN-2023-0237 - YI-2023-0144

FACILITIES FOR INTRASTATE ACCESS

(N)

2. GENERAL REGULATIONS (Cont'd)

2.7 FIA Services Provided By More Than One Telephone Company (Cont'd)

(A) (Cont'd)

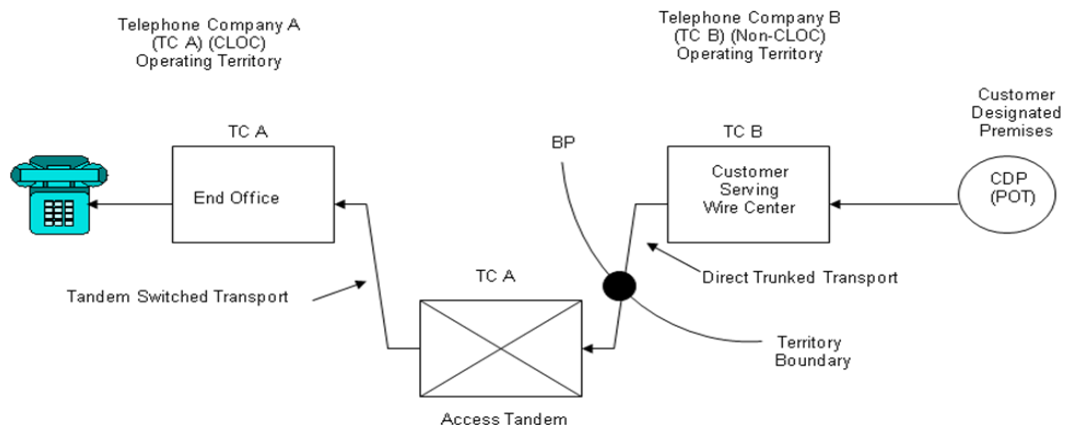
(2) Meet Point Billing (Cont'd)

(c) Determination of Meet Point Billed Local Transport, Direct Transport and Channel Mileage Charges (Cont'd)

(12) Example 3: Terminating Switched Access – Tandem End Office
(See Diagram 3)

- Feature Group D Switched Access is ordered to End Office.
- Terminating End Office and Access Tandem are both owned by a CLOC ILEC (TC-A)
- Assumptions:
 - o TC-A Direct Trunk Transport BP = 40%
 - o TC-B Direct Trunk Transport BP = 60%
 - o Direct Trunk Transport mileage = 26 mi.
 - o Tandem Switched Transport mileage = 23 mi.

Diagram 3



(N)

ISSUED: May 1, 2017

EFFECTIVE: July 1, 2017

Gary Kepley
Director - Regulatory Operations
New Century, Kansas

FILED
Missouri Public
Service Commission
YI-2017-0228

CANCELLED - Missouri Public Service Commission - 02/16/2023 - TN-2023-0237 - YI-2023-0144

FACILITIES FOR INTRASTATE ACCESS

(N)

2. GENERAL REGULATIONS (Cont'd)

2.7 FIA Services Provided By More Than One Telephone Company (Cont'd)

(A) (Cont'd)

(2) Meet Point Billing (Cont'd)

(c) Determination of Meet Point Billed Local Transport, Direct Transport and Channel Mileage Charges (Cont'd)

(12) Example 3: Terminating Switched Access – Tandem End Office (Cont'd)
(See Diagram 3)

- Telephone Company A charges are:

End Office Charges = 9,000 min. x EO rate

Tandem Switched Facility – End Office charge
= 9,000 min. x 23 mi. x TSF-End Office rate

Tandem Switched Termination – End Office charge
= 2 terminations x 9,000 min. x TST-End Office rate

Tandem Switching – End Office charge
= 9,000 min. x TS-End Office rate

Direct Trunked Facility Charge
= 26 miles x DTF rate x 40%

Direct Trunked Termination charge
= 1 termination x DTT rate

Shared Multiplexing – End Office charge
= 9,000 min x SM-End Office rate

(N)

ISSUED: May 1, 2017

EFFECTIVE: July 1, 2017

Gary Kepley
Director - Regulatory Operations
New Century, Kansas

FILED
Missouri Public
Service Commission
YI-2017-0228

CANCELLED - Missouri Public Service Commission - 02/16/2023 - TN-2023-0237 - YI-2023-0144

FACILITIES FOR INTRASTATE ACCESS

(N)

2. GENERAL REGULATIONS (Cont'd)

2.7 FIA Services Provided By More Than One Telephone Company (Cont'd)

(A) (Cont'd)

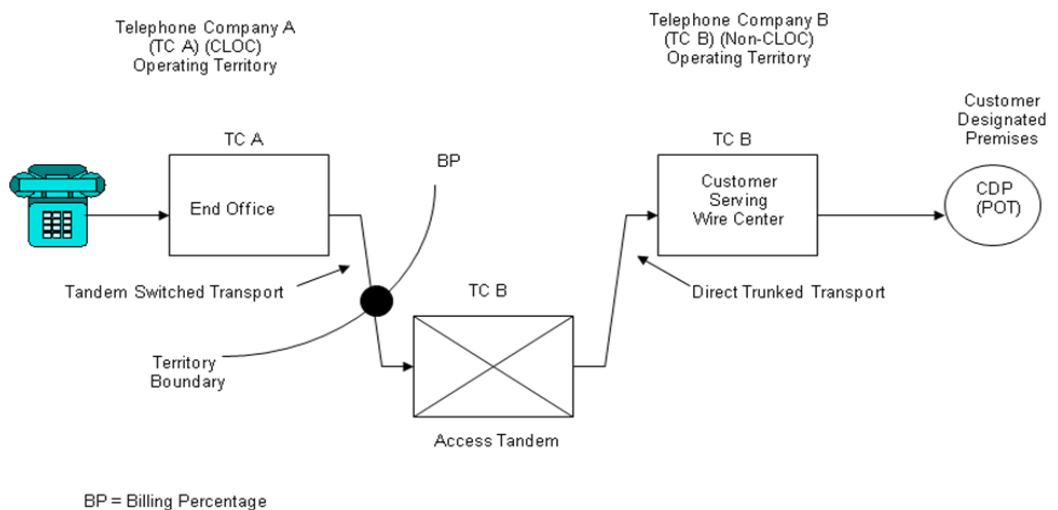
(2) Meet Point Billing (Cont'd)

(c) Determination of Meet Point Billed Local Transport, Direct Transport and Channel Mileage Charges (Cont'd)

(13) Example 4: Originating Switched Access – CLOC owns only the End Office
(See Diagram 4)

- Feature Group D Switched Access is ordered to End Office
- End Office is owned by CLOC (TC-A)
- Access Tandem is owned by a non-CLOC ILEC (TC-B)
- Assumptions:
 - o Direct Trunk Transport mileage = 26 mi.
 - o TC-A Tandem Switched Transport BP = 80%
 - o TC-B Tandem Switched Transport BP = 20%
 - o Tandem Switched Transport mileage = 23 mi.

Diagram 4



(N)

ISSUED: May 1, 2017

EFFECTIVE: July 1, 2017

Gary Keypley
Director - Regulatory Operations
New Century, Kansas

FILED
Missouri Public
Service Commission
YI-2017-0228

CANCELLED - Missouri Public Service Commission - 02/16/2023 - TN-2023-0237 - YI-2023-0144

FACILITIES FOR INTRASTATE ACCESS

(N)

2. GENERAL REGULATIONS (Cont'd)

2.7 FIA Services Provided By More Than One Telephone Company (Cont'd)

(A) (Cont'd)

(2) Meet Point Billing (Cont'd)

(c) Determination of Meet Point Billed Local Transport, Direct Transport and Channel Mileage Charges (Cont'd)

(13) Example 4: Originating Switched Access – CLOC owns only the End Office (Cont'd)
(See Diagram 4)

- Telephone Company A charges are:

End Office charges = 9,000 min. x EO rate

Tandem Switched Facility charge
= 9,000 min. x 23 mi. x TSF rate x 80%

Tandem Switched Termination charge
= 1 termination x 9,000 min. x TST rate

(N)

ISSUED: May 1, 2017

EFFECTIVE: July 1, 2017

Gary Kepley
Director - Regulatory Operations
New Century, Kansas

FILED
Missouri Public
Service Commission
YI-2017-0228

CANCELLED - Missouri Public Service Commission - 02/16/2023 - TN-2023-0237 - YI-2023-0144

FACILITIES FOR INTRASTATE ACCESS

(N)

2. GENERAL REGULATIONS (Cont'd)

2.7 FIA Services Provided By More Than One Telephone Company (Cont'd)

(A) (Cont'd)

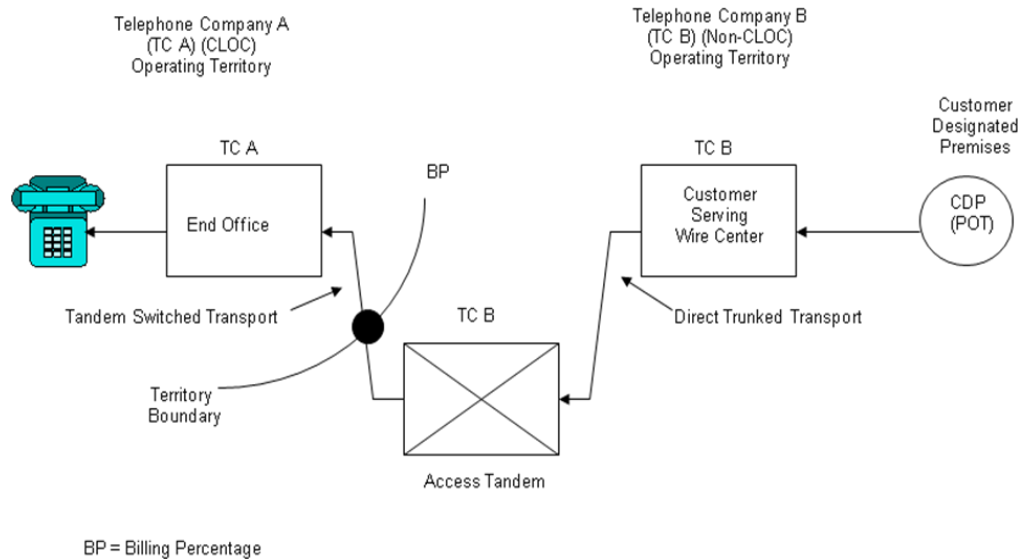
(2) Meet Point Billing (Cont'd)

(c) Determination of Meet Point Billed Local Transport, Direct Transport and Channel Mileage Charges (Cont'd)

(14) Example 5: Terminating Switched Access – Tandem 3rd Party
(See Diagram 5)

- Feature Group D Switched Access is ordered to End Office
- End Office is owned by Telephone Company (CLOC) (TC-A)
- Access Tandem is owned by a non-CLOC ILEC (TC-B)

Diagram 5



(N)

ISSUED: May 1, 2017

EFFECTIVE: July 1, 2017

Gary Kepley
Director - Regulatory Operations
New Century, Kansas

FILED
Missouri Public
Service Commission
YI-2017-0228

CANCELLED - Missouri Public Service Commission - 02/16/2023 - TN-2023-0237 - YI-2023-0144

FACILITIES FOR INTRASTATE ACCESS

(N)

2. GENERAL REGULATIONS (Cont'd)

2.7 FIA Services Provided By More Than One Telephone Company (Cont'd)

(A) (Cont'd)

(2) Meet Point Billing (Cont'd)

(c) Determination of Meet Point Billed Local Transport, Direct Transport and Channel Mileage Charges (Cont'd)

(14) Example 5: Terminating Switched Access – Tandem 3rd Party (Cont'd)
(See Diagram 5)

- Telephone Company A charges are:

End Office charges = 9,000 min. x EO rate

Tandem Switched Facility 3rd Party charge
= 9,000 min. x 23 mi. x TSF-3rd Party rate x 80%

Tandem Switched Termination 3rd Party charge
= 1 termination x 9,000 min. x TST-3rd Party rate

(N)

ISSUED: May 1, 2017

Gary Kepley
Director - Regulatory Operations
New Century, Kansas

EFFECTIVE: July 1, 2017

FILED
Missouri Public
Service Commission
YI-2017-0228

CANCELLED - Missouri Public Service Commission - 02/16/2023 - TN-2023-0237 - YI-2023-0144

FACILITIES FOR INTRASTATE ACCESS

SECTION 3 TABLE OF CONTENTS

	<u>Sheet</u>	
3.		<u>ORDERING OPTIONS FOR FIA</u>
3.1	47	<u>General</u>
3.1.1	47	Ordering Conditions
3.1.2	51	Provision of Other Services
3.1.3	52	Special Construction
3.1.4	52	Tandem Switch Signaling
3.2	52	<u>Access Service Request</u>
3.2.1	52	Service Date Intervals
3.2.2	53	ASR Modifications
	53	(A) Service Date Change Charge
	54	(B) Partial Cancellation Charge
	55	(C) Discontinuance of Service
	55	(D) Design Change Charge
	55	(E) Requests for Expedition
3.2.3	55	Selection of Facilities for Access Service
3.2.4	56	Minimum Period
3.2.5	56	Minimum Period Charges
3.2.6	57	Cancellation of an ASR
3.2.7	61	Discontinuance of Switched Access FGD or BSA-D
3.2.8	62	FGD or BSA-D Maximum Per Trunk Cancellation Charge
3.3	62	<u>Access Service Requests for Services Provided By More Than One Telephone Company</u>
3.4	64	(Reserved for Future Use)
3.5	64	<u>Switched Access Minimum Capacity Requirements</u>

ISSUED: May 1, 2012

Gary Kepley
Director - Regulatory Operations
Overland Park, Kansas

EFFECTIVE: July 3, 2012

FILED
Missouri Public
Service Commission
TT-2012-0317, YI-2012-0633

CANCELLED - Missouri Public Service Commission - 02/16/2023 - TN-2023-0237 - YI-2023-0144

FACILITIES FOR INTRASTATE ACCESS

Missouri Public

REC'D JUL 15 2002

SECTION 3 TABLE OF CONTENTS

3. ORDERING OPTIONS FOR FIA

Service Commission ^{Sheet}

3.1	<u>General</u>	47
3.1.1	Ordering Conditions	47
3.1.2	Provision of Other Services	51
3.1.3	Special Construction	52
3.2	<u>Access Service Request</u>	52
3.2.1	Service Date Intervals	52
3.2.2	ASR Modifications	53
	(A) Service Date Change Charge	53
	(B) Partial Cancellation Charge	54
	(C) Discontinuance of Service	55
	(D) Design Change Charge	55
	(E) Requests for Expedition	55
3.2.3	Selection of Facilities for Access Service	55
3.2.4	Minimum Period	56
3.2.5	Minimum Period Charges	56
3.2.6	Cancellation of an ASR	57
3.2.7	Discontinuance of Switched Access FGD or BSA-D	61
3.2.8	FGD or BSA-D Maximum Per Trunk Cancellation Charge	62
3.3	<u>Access Service Requests for Services Provided By More Than One Telephone Company</u>	62
3.4	(Reserved for Future Use)	64
3.5	<u>Switched Access Minimum Capacity Requirements</u>	64

Issued: July 18, 2002

CANCELED
July 2, 2013
Missouri Public
Service Commission
JI-2013-0493

Jeffrey Glover
Vice President External Relations
Monroe, Louisiana

Missouri Public
Effective: September 1, 2002
FILED SEP 01 2002
TM@-02-232
Service Commission

FACILITIES FOR INTRASTATE ACCESS

3. ORDERING OPTIONS FOR FIA

3.1 General

This section sets forth the regulations and order related charges for FIA Orders to provide the customer with FIA. These charges are in addition to other applicable charges in other sections of this tariff.

3.1.1 Ordering Conditions

(A) A customer may order any amount of FIA (Switched or Special) of the same interface type, same Feature Group, same BSA or same Special Access between the same locations for installation on the same date on a single FIA ASR. A customer may order the changed use of Switched Access and Special Access over the same high capacity facility however, separate FIA ASRs are required. The methodology for shared use is set forth in 5.6.7.

- ASRs for FGA or BSA-A must be in number of lines required.
- ASRs for FGB, FGC, FGD, BSA-B, BSA-C, BSA-D and SAC Access Service may be in trunks or Busy Hour Minutes of Capacity (BHMC). For Tandem-Switched Transport, the customer has the option of specifying the number of trunks or Busy Hour Minutes of Capacity (BHMC).

(N)
(N)

In addition, the ASR must indicate whether the Switched Transport ordered is for Entrance Facilities, Direct-Trunked Transport and/or Tandem-Switched Transport. For Direct-Trunked Transport, and Entrance Facilities the ASR must specify channel type, channel interface, and any options desired. In addition, ASRs for Direct-Trunked Transport must specify Facility Hubs involved. Additional ASR requirements for Switched Access Service are described in 4.2.5(V) and 4.3.2.

(N)
|
(N)

(B) The customer shall supply all details necessary to complete an order. The details may include the following: requested service date, customer name, customer designated location, end office, Entrance Facility, type of Switched Access or Special Access, Supplemental Features, End Office Services and Signaling Interface, and originating and terminating capacity required. The customer may also be required to provide end user name and location, end user contact person, and end user premises access information to complete an order for Special Access.

(C)
(C)

When a customer orders mixed interstate and intrastate Switched Access, the customer is required to provide an estimate of the percent of traffic which will be interstate. If the customer fails to provide this estimate, the order will not be processed until such time as the customer provides this estimate.

When a customer orders mixed-use special access service, the customer must indicate the jurisdiction based on the criteria in Section 5.1.6.

(C) When the Alternate Traffic Routing Optional Arrangement is ordered, more than one CDL will be supplied and the number of trunks or BHMC for FGB, FGC and FGD to each CDL shall be specified.

When the Alternate Traffic Routing Basic Serving Element (BSE) is ordered, more than one CDL will be supplied and the number of trunks or BHMC for BSA-B, BSA-C, and BSA-D to each CDL shall be specified.

(D) The customer shall order SAC Access Service, as described in 4.2.1(E), in the same manner as ordering FGD with the following exceptions. For 500 SAC Access Service or 900 SAC Access Service, customers may request direct connections to only those offices designated by the Telephone Company as 500 SAC Access Service or 900 SAC Access Service screening offices. All 500 NXX or 900 NXX code assignments and administration shall be in accordance with the North American Numbering Plan (NANP). 800 SAC Access Service is offered only in conjunction with the 800 Customer Identification Function as described in 4.2.11 and in conjunction with 800 Data Base Query Service as described in 4.2.19. Customers may request 800 SAC access connections to suitably equipped end offices and access tandem offices. A list of those offices will be provided upon request. All 800 number assignments shall be administered by the Number Administration Service Center (NASC) through the Service Management System (SMS).

500 NXX Codes or 900 NXX Codes to be activated and/or deactivated in conjunction with 500 SAC Access Service or 900 SAC Access Service, must be provided to the Telephone Company at least 30 business days prior to the effective date of the change.

ISSUED: May 1, 2012

EFFECTIVE: July 3, 2012

Gary Kepley
Director - Regulatory Operations
Overland Park, Kansas

FILED
Missouri Public
Service Commission
TT-2012-0317, YI-2012-0633

CANCELLED - Missouri Public Service Commission - 02/16/2023 - TN-2023-0237 - YI-2023-0144

FACILITIES FOR INTRASTATE ACCESS

Missouri Public

REC'D JUL 15 2002

3. ORDERING OPTIONS FOR FIA

Service Commission

3.1 General

This section sets forth the regulations and order related charges for FIA Orders to provide the customer with FIA. These charges are in addition to other applicable charges in other sections of this tariff.

3.1.1 Ordering Conditions

- (A) A customer may order any amount of FIA (Switched or Special) of the same interface type, same Feature Group, same BSA or same Special Access between the same locations for installation on the same date on a single FIA ASR. A customer may order the changed use of Switched Access and Special Access over the same high capacity facility however, separate FIA ASRs are required. The methodology for shared use is set forth in 5.6.7.
- ASRs for FGA or BSA-A must be in number of lines required.
 - ASRs for FGB, FGC, FGD, BSA-B, BSA-C, BSA-D and SAC Access Service may be in trunks or Busy Hour Minutes of Capacity (BHMC).

Additional ASR requirements for Switched Access Service are described in 4.2.1, 4.2.5(V) and 4.3.2.

- (B) The customer shall supply all details necessary to complete an order. The details may include the following: requested service date, customer name, customer designated location, end office, Interface Arrangement, type of Switched Access or Special Access, Supplemental Features, End Office Services and Signaling Interface, and originating and terminating capacity required. The customer may also be required to provide end user name and location, end user contact person, and end user premises access information to complete an order for Special Access.

When a customer orders mixed interstate and intrastate Switched Access, the customer is required to provide an estimate of the percent of traffic which will be interstate. If the customer fails to provide this estimate, the order will not be processed until such time as the customer provides this estimate.

When a customer orders mixed-use special access service, the customer must indicate the jurisdiction based on the criteria in Section 5.1.6.

- (C) When the Alternate Traffic Routing Optional Arrangement is ordered, more than one CDL will be supplied and the number of trunks or BHMC for FGB, FGC and FGD to each CDL shall be specified.

When the Alternate Traffic Routing Basic Serving Element (BSE) is ordered, more than one CDL will be supplied and the number of trunks or BHMC for BSA-B, BSA-C, and BSA-D to each CDL shall be specified.

- (D) The customer shall order SAC Access Service, as described in 4.2.1(E), in the same manner as ordering FGD with the following exceptions. For 500 SAC Access Service or 900 SAC Access Service, customers may request direct connections to only those offices designated by the Telephone Company as 500 SAC Access Service or 900 SAC Access Service screening offices. All 500 NXX or 900 NXX code assignments and administration shall be in accordance with the North American Numbering Plan (NANP). 800 SAC Access Service is offered only in conjunction with the 800 Customer Identification Function as described in 4.2.11 and in conjunction with 800 Data Base Query Service as described in 4.2.19. Customers may request 800 SAC access connections to suitably equipped end offices and access tandem offices. A list of those offices will be provided upon request. All 800 number assignments shall be administered by the Number Administration Service Center (NASC) through the Service Management System (SMS).

500 NXX Codes or 900 NXX Codes to be activated and/or deactivated in conjunction with 500 SAC Access Service or 900 SAC Access Service, must be provided to the Telephone Company at least 30 business days prior to the effective date of the change.

Missouri Public

Issued: July 18, 2002

CANCELED
July 2, 2013
Missouri Public
Service Commission
JI-2013-0493

Jeffrey Glover
Vice President External Relations
Monroe, Louisiana

Effective: September 1, 2002

FILED SEP 01 2002
TM 02-02-232
Service Commission

FACILITIES FOR INTRASTATE ACCESS

REC'D JUL 15 2002

3. ORDERING OPTIONS FOR FIA (Cont'd)

Service Commission

3.1 General (Cont'd)

3.1.1 Ordering Conditions (Cont'd)

(D) (Cont'd)

An ASR is required by the Telephone Company for 500 NXX codes or 900 NXX codes to be activated or deactivated on an access facility level basis. The Subsequent Ordering Charge - Switched Access, as described in 4.5.2(A), will apply. In addition to the Switched Access Ordering Charge, the 500 NXX Translation Charge, as described in Section 4.5.2(N)(8), shall apply to each 500 NXX code activated or deactivated in a Telephone Company switch capable of performing the customer identification function for 500 SAC Access Service. Customer assigned codes for which an ASR has not been received will be blocked.

When SAC Access Service is not terminated over a Special Access Line as in 5.1.1(C)(2), the customer must notify the Telephone Company of all local exchange telephone numbers to which SAC Access Service traffic is designated so that the Telephone Company can balance the end office in accordance with standard Telephone Company engineering practices for heavy volume lines.

(E) To determine if adequate central office facilities (i.e., trunk circuits) for FGD or BSA-D will be available on the conversion date to equal access and to be eligible for the allocation in the following paragraph all customers (including those customers who convert existing FGA, FGB, FGC, BSA-A, BSA-B and BSA-C to FGD or BSA-D) must order FGD or BSA-D 120 days prior to an end office conversion to equal access.

When trunk circuits are not available to meet the demand an allocation of available trunk circuits will be required. The allocation of available facilities is a three step process as described below:

In this example assume nine ICs have ordered BHMCs which necessitate 1,000 FGD trunks where only 800 FGD trunk circuits are available at the conversion date.

Step 1: Provide an initial flat 25% distribution of available trunk circuits to each requesting IC except for incremental requests over existing levels of FGC. (See table in Step 3.)

- 25% x 800 (available facilities) = 200
- $\frac{200}{9-1} = 25$

Step 2: Assign all remaining trunk circuits proportionately, working from bottom up until ICs, as a result of the proration, are assigned less facilities than desired. First determine facilities available for apportionment.

- 800 - 175 = 625 (eligible ICs are A, B, C, D, E, F)
- $\frac{(\text{Desired Facilities})}{(\text{Total Desired Facilities})} \times \text{Remaining Facilities}$
(of Remaining Facilities)
- $F = \frac{70}{1000 - 50} \times 625 = 46$ (assign only 45)(**)
- $E = \frac{80}{1000 - 120} \times (625 - 45) = 53$

(E receives less facilities than originally ordered, i.e., 53 + 25 = 78)

(**) Will not assign more than desired.

CANCELLED - Missouri Public Service Commission - 02/16/2023 - TN-2023-0237 - YI-2023-0144

FACILITIES FOR INTRASTATE ACCESS

3. ORDERING OPTIONS FOR FIA (Cont'd)

3.1 General (Cont'd)

3.1.1 Ordering Conditions (Cont'd)

(E) (Cont'd)

Step 3: When an IC receives less facilities than desired, the remainder of ICs are allocated according to the following allocation factor:

$$\frac{\text{Remaining Facilities}}{\text{Total Desired Facilities of Remaining Eligible Ics of Access}} = \frac{625 - 98}{1000 - 200} = \frac{527}{800} = .659$$

- D = 100 x .659 = 66
- C = 200 x .659 = 132
- B = 200 x .659 = 132
- A = 300 x .659 = 197

ICs	Demand Desired (In Trunks)	Resources Available	Step 1 Flat 25% Distribution	Step 2	Step 3	Total Assigned Trunk Circuits
A	300	-	25	-	197	222
B	200	-	25	-	132	157
C(*)	200	-	-0-	-	132	132
D	100	-	25	-	66	91
E	80	-	25	53	-	78
F	70	-	25	45(**)	-	70
G	25	-	25	-	-	25
H	15	-	15(**)	-	-	15
I	<u>10</u>	<u>-</u>	<u>10(**)</u>	<u>-</u>	<u>-</u>	<u>10</u>
Total	1,000	800	175	98	527	800

(*) Request for additional trunk circuits by an IC with existing FGC or BSA-C

(**) Will not assign more than desired

(F) The provision of Special Access requires the selection of a Terminating Option as defined in 5.3. The provision of Switched Access requires an Entrance Facility as defined in 4.2.3(B). When a customer orders a DS3 SAL or DS3 Switched Entrance Facility, he may specify, on the ASR, if the interface is to be electrical or optical. In the event the customer does not specify an interface preference for DS3, the Telephone Company will provide an electrical interface.

(C)
|
(C)

When a customer orders a DS3C SAL, the Telephone Company will provide an optical interface unless service is provided via microwave, in which case an electro-magnetic interface is provided, or unless the customer specifies on the ASR a request for an electrical interface.

ISSUED: May 1, 2012

Gary Kepley
Director - Regulatory Operations
Overland Park, Kansas

EFFECTIVE: July 3, 2012

FILED
Missouri Public
Service Commission
TT-2012-0317, YI-2012-0633

CANCELLED - Missouri Public Service Commission - 02/16/2023 - TN-2023-0237 - YI-2023-0144

FACILITIES FOR INTRASTATE ACCESS

Missouri Public

REC'D JUL 15 2002

3. ORDERING OPTIONS FOR FIA (Cont'd)

3.1 General (Cont'd)

Service Commission

3.1.1 Ordering Conditions (Cont'd)

(E) (Cont'd)

Step 3: When an IC receives less facilities than desired, the remainder of ICs are allocated according to the following allocation factor:

Remaining Facilities = $\frac{625 - 98 - 527}{1000 - 200} = .659$
Total Desired Facilities of Remaining Eligible ICs of Access

D = $100 \times .659 = 66$
C = $200 \times .659 = 132$
B = $200 \times .659 = 132$
A = $300 \times .659 = 197$

ICs	Demand Desired (In Trunks)	Resources Available	Step 1 Flat 25% Distribution	Step 2	Step 3	Total Assigned Trunk Circuits
A	300	-	25	-	197	222
B	200	-	25	-	132	157
C(*)	200	-	-0-	-	132	132
D	100	-	25	-	66	91
E	80	-	25	53	-	78
F	70	-	25	45(**)	-	70
G	25	-	25	-	-	25
H	15	-	15(**)	-	-	15
I	10	-	10(**)	-	-	10
Total	1,000	800	175	98	527	800

(*) Request for additional trunk circuits by an IC with existing FGC or BSA-C

(**) Will not assign more than desired

(F) When a customer orders a DS3 SAL, he may specify, on the ASR, if the interface is to be electrical or an optical. In the event the customer does not specify an interface preference for DS3, the Telephone Company will provide an electrical interface.

When a customer orders a DS3C SAL, the Telephone Company will provide an optical interface unless service is provided via microwave, in which case an electro-magnetic interface is provided, or unless the customer specifies on the ASR a request for an electrical interface.

Missouri Public

Effective: September 1, 2002

Issued: July 18, 2002

CANCELED
July 2, 2013
Missouri Public
Service Commission
JI-2013-0493

Jeffrey Glover
Vice President External Relations
Monroe, Louisiana

FILED SEP 01 2002

TM 02-02-232
Service Commission

FACILITIES FOR INTRASTATE ACCESS

Missouri Public

REC'D JUL 15 2002

Service Commission

3. ORDERING OPTIONS FOR FIA (Cont'd)

3.1 General (Cont'd)

3.1.1 Ordering Conditions (Cont'd)

- (G) (Reserved for Future Use)
- (H) (Reserved for Future Use)
- (I) (Reserved for Future Use)
- (J) (Reserved for Future Use)
- (K) (Reserved for Future Use)

Missouri Public

Issued: July 18, 2002

Jeffrey Glover
Vice President External Relations
Monroe, Louisiana

Effective: September 1, 2002
FILED SEP 01 2002
JMG-02-232
Service Commission

CANCELLED - Missouri Public Service Commission - 02/16/2023 - TN-2023-0237 - Y1-2023-0144

FACILITIES FOR INTRASTATE ACCESS

3. ORDERING OPTIONS FOR FIA (Cont'd)

3.1 General (Cont'd)

3.1.1 Ordering Conditions (Cont'd)

- (L) When ordering Signaling System 7 (SS7) Out of Band Signaling as described in 4.2.5(A)(A), the customer shall provide an ASR specifying a reference to existing CCS7 Access service facilities or reference to a related ASR for CCS7 Access service. The customer's ASR shall also include STP point codes, STP location identifier codes, FGD or BSA-D trunk or 800/888/877 Service Access trunk circuit identification codes, and switch type. When ordering SS7 Out of Band Signaling for FGD or BSA-D, the customer shall specify that all traffic carried by that FGD or BSA-D will be equipped with out of band signaling. The customer shall work cooperatively with the Telephone Company to determine the number of CCS7 Access service connections required to handle the customer's SS7 Out of Band Signaling traffic. (C)
- (M) (Reserved for Future Use)
- (N) When a customer orders Tandem Switch Signaling (TSS), as described in 4.2.5(A)(E) and 4.2.21, to be established with the installation of a new FGD or BSA-D trunk group, 500 SAC Access Service, or 900 SAC Access Service trunk group, the Switched Access Ordering charge, per ASR and the appropriate Service Installation charge will apply for the installation of the FGD or BSA-D or 900 SAC Access services. TSS can only be provided from equal access end offices. (C)

When a customer orders Tandem Switch Signaling to be added to an existing FGD or BSA-D trunk group, 500 SAC Access Service or 900 SAC Access Service trunk group or to a pending ASR, only the Switched Access Ordering charge and the Design Change charge will apply for the addition of the optional arrangement. (N)
- (O) When ordering FGD or BSA-D Switched Access with 950-XXXX Access as described in 4.2.5(T), the customer shall provide an ASR specifying which 950-XXXX access code(s) are to be routed and the FGD or BSA-D Switched Access Service over which the resulting originating 950-XXXX access code calls are to be routed.
- (P) When ordering Carrier Identification Parameter (CIP) as described in 4.2.5(A)(G), the customer shall provide an ASR specifying a reference to existing FGD or BSA-D switched access services or reference to a related ASR for FGD or BSA-D switched access services. The customer' ASR shall specify the information necessary to identify the trunk group to which the CIP is to be added. (N)

3.1.2 Provision of Other Services

- (A) At the option of a customer, Recording and Processing, Additional Labor, Telecommunications Service Priority (TSP), Testing and Special Routing services may be ordered with an ASR at the same time the ASR is accepted by the Telephone Company. Such requests will be considered to be supplemental to the ASR. The rates and charges for these services as set forth in other sections of this tariff will apply in addition to the ordering charges set forth in this section and the rates and charges for the Switched Access or Special Access with which they are associated.
- (B) The items listed in (A) preceding may subsequently be added to the ASR at any time, up to and including the service date established by the ASR. When ordered subsequently, charges for ASR modifications as in 3.2.2 following will apply.

ISSUED: May 1, 2012

EFFECTIVE: July 3, 2012

Gary Kepley
Director - Regulatory Operations
Overland Park, Kansas

FILED
Missouri Public
Service Commission
TT-2012-0317, YI-2012-0633

CANCELLED - Missouri Public Service Commission - 02/16/2023 - TN-2023-0237 - YI-2023-0144

FACILITIES FOR INTRASTATE ACCESS

Missouri Public

REC'D JUL 15 2002

Service Commission

3. ORDERING OPTIONS FOR FIA (Cont'd)

3.1 General (Cont'd)

3.1.1 Ordering Conditions (Cont'd)

- (L) When ordering Signaling System 7 (SS7) Out of Band Signaling as described in 4.2.5(A)(A), the customer shall provide an ASR specifying a reference to existing CCS7 Access service facilities or reference to a related ASR for CCS7 Access service as described in 3.1.1(G). The customer's ASR shall also include STP point codes, STP location identifier codes, FGD or BSA-D trunk or 800/888/877 Service Access trunk circuit identification codes, and switch type. When ordering SS7 Out of Band Signaling for FGD or BSA-D, the customer shall specify that all traffic carried by that FGD or BSA-D will be equipped with out of band signaling. The customer shall work cooperatively with the Telephone Company to determine the number of CCS7 Access service connections required to handle the customer's SS7 Out of Band Signaling traffic.
- (M) (Reserved for Future Use)
- (N) (Reserved for Future Use)
- (O) When ordering FGD or BSA-D Switched Access with 950-XXXX Access as described in 4.2.5(T), the customer shall provide an ASR specifying which 950-XXXX access code(s) are to be routed and the FGD or BSA-D Switched Access Service over which the resulting originating 950-XXXX access code calls are to be routed.

3.1.2 Provision of Other Services

- (A) At the option of a customer, Recording and Processing, Additional Labor, Telecommunications Service Priority (TSP), Testing and Special Routing services may be ordered with an ASR at the same time the ASR is accepted by the Telephone Company. Such requests will be considered to be supplemental to the ASR. The rates and charges for these services as set forth in other sections of this tariff will apply in addition to the ordering charges set forth in this section and the rates and charges for the Switched Access or Special Access with which they are associated.
- (B) The items listed in (A) preceding may subsequently be added to the ASR at any time, up to and including the service date established by the ASR. When ordered subsequently, charges for ASR modifications as in 3.2.2 following will apply.

Issued: July 18, 2002

CANCELED
July 2, 2013
Missouri Public
Service Commission
JI-2013-0493

Jeffrey Glover
Vice President External Relations
Monroe, Louisiana

Missouri Public
Effective: September 1, 2002

FILED SEP 01 2002
TM 02-02-232
Service Commission

FACILITIES FOR INTRASTATE ACCESS

3. ORDERING OPTIONS FOR FIA (Cont'd)

3.1 General (Cont'd)

3.1.3 Special Construction

The regulations, rates and charges for Special Construction are in Section 10 in addition to the regulations, rates and charges specified in this section.

3.1.4 Tandem Switch Signaling

The regulations, rates and charges for Tandem Switch Signaling in Section 4 and are in addition to the regulations, rates and charges specified in this section.

(N)
|
(N)

3.2 Access Service Request

An ASR is used by the Telephone Company to receive orders for the following types of FIA requested by the customer:

- Switched Access as in Section 4,
- Special Access as in Section 5, and
- Other Services as in other sections of the tariff.

3.2.1 Service Date Intervals

The time required to provision service is known as the service date interval. Such intervals will be established in accordance with published service date interval guidelines which are available to customers upon request. The service date interval guidelines will apply to ASRs and will specify the quantities of FIA that can be provided on the same service date. The customer may request a service date other than that established pursuant to the service date interval guidelines, and the Telephone Company, where possible, will establish the service date in accordance with such request, subject, however, to other applicable provisions of this tariff.

ISSUED: May 1, 2012

Gary Kepley
Director - Regulatory Operations
Overland Park, Kansas

EFFECTIVE: July 3, 2012

FILED
Missouri Public
Service Commission
TT-2012-0317, YI-2012-0633

CANCELLED - Missouri Public Service Commission - 02/16/2023 - TN-2023-0237 - YI-2023-0144

FACILITIES FOR INTRASTATE ACCESS

Missouri Public

REC'D JUL 15 2002

Service Commission

3. ORDERING OPTIONS FOR FIA (Cont'd)

3.1 General (Cont'd)

3.1.3 Special Construction

The regulations, rates and charges for Special Construction are in Section 10 in addition to the regulations, rates and charges specified in this section.

3.2 Access Service Request

An ASR is used by the Telephone Company to receive orders for the following types of FIA requested by the customer.

- Switched Access as in Section 4,
- Special Access as in Section 5, and
- Other Services as in other sections of the tariff.

3.2.1 Service Date Intervals

The time required to provision service is known as the service date interval. Such intervals will be established in accordance with published service date interval guidelines which are available to customers upon request. The service date interval guidelines will apply to ASRs and will specify the quantities of FIA that can be provided on the same service date. The customer may request a service date other than that established pursuant to the service date interval guidelines, and the Telephone Company, where possible, will establish the service date in accordance with such request, subject, however, to other applicable provisions of this tariff.

Missouri Public

Issued: July 18, 2002

CANCELED
July 2, 2013
Missouri Public
Service Commission
JI-2013-0493

Jeffrey Glover
Vice President External Relations
Monroe, Louisiana

Effective: September 1, 2002

FILED SEP 01 2002
TM 02-232
Service Commission

FACILITIES FOR INTRASTATE ACCESS

3. ORDERING OPTIONS FOR FIA (Cont'd)

3.2 Access Service Request (Cont'd)

3.2.2 ASR Modifications

The customer may request a modification of its ASR prior to the service date. The Telephone Company will make every effort to accommodate a requested modification when it is able to do so with the normal work force assigned to complete such an ASR within normal business hours. If the modification cannot be made with the normal work force during normal business hours, the Telephone Company will notify the customer. If the customer still desires the ASR modification, the Telephone Company will schedule a new service date. All charges for ASR modifications will apply on a per occurrence basis. Where a new ASR may be required the appropriate charges in other sections of this tariff will be applicable.

Any increase in the number of Switched Access lines for FGA or BSA-A; trunks or BHMCs for FGB, FGC, FGD, BSA-B, BSA-C, BSA-D and SAC Access Service and Special Access circuits will require the issuance of a new ASR for the incremental capacity.

(A) Service Date Change Charge

ASR service dates may be changed, however a Service Date Change Charge will apply for each service date change after the Plant Test Date on the ASR.

For Switched Access, the new service date may not exceed the original service date by more than 60 calendar days. If the requested service date is more than 60 calendar days after the original service date, the ASR will be canceled by the Telephone Company and cancellation charges in 3.2.6 will apply. The ASR will be reissued with the new service date. (C)

For Special Access, except as specified below, the new service date may not exceed the original service date by more than 60 calendar days. If the requested service date is more than 60 calendar days after the original service date, the ASR will be canceled by the Telephone Company. Cancellation charges in 3.2.6 will apply and the ASR will be reissued with the new service date unless the customer indicates that billing for the service is to commence as in 3.2.6(A). (C) (C)

With the agreement of the Telephone Company, a new service date may be established that is prior to the original service date and the provisions in (E) will apply in addition to the Service Date Change Charge. The applicable charge is:

	Switched Access Charge *	Special Access Charge
Service Date Change Charge		
CenturyTel of Missouri	\$13.11	\$26.21
CenturyTel of Central Missouri	\$18.76	\$37.51

* This flat rated charge was calculated based upon a 50/50 split between originating and terminating. The FCC in their FCC 11-161 ICC Transformation Order in Section 51.907(d)(1) allowed Price Cap Carriers to use an equal split to divide the charge between originating and terminating elements. When the terminating portion of the rate is reduced and then combined with the originating portion of the rate, a single flat rate is generated for billing purposes.

CANCELLED - Missouri Public Service Commission - 02/16/2023 - TN-2023-0237 - YI-2023-0144

3. ORDERING OPTIONS FOR FIA (Cont'd)

3.2 Access Service Request (Cont'd)

3.2.2 ASR Modifications

The customer may request a modification of its ASR prior to the service date. The Telephone Company will make every effort to accommodate a requested modification when it is able to do so with the normal work force assigned to complete such an ASR within normal business hours. If the modification cannot be made with the normal work force during normal business hours, the Telephone Company will notify the customer. If the customer still desires the ASR modification, the Telephone Company will schedule a new service date. All charges for ASR modifications will apply on a per occurrence basis. Where a new ASR may be required the appropriate charges in other sections of this tariff will be applicable.

Any increase in the number of Switched Access lines for FGA or BSA-A; trunks or BHMCs for FGB, FGC, FGD, BSA-B, BSA-C, BSA-D and SAC Access Service and Special Access circuits will require the issuance of a new ASR for the incremental capacity.

(A) Service Date Change Charge

ASR service dates may be changed, however a Service Date Change Charge will apply for each service date change after the Plant Test Date on the ASR.

For Switched Access, the new service date may not exceed the original service date by more than 30 calendar days. If the requested service date is more than 30 calendar days after the original service date, the ASR will be canceled by the Telephone Company and cancellation charges in 3.2.6 will apply. The ASR will be reissued with the new service date.

For Special Access, except as specified below, the new service date may not exceed the original service date by more than 30 calendar days. If the requested service date is more than 30 calendar days after the original service date, the ASR will be canceled by the Telephone Company. Cancellation charges in 3.2.6 will apply and the ASR will be reissued with the new service date unless the customer indicates that billing for the service is to commence as in 3.2.6(A).

With the agreement of the Telephone Company, a new service date may be established that is prior to the original service date and the provisions in (E) will apply in addition to the Service Date Change Charge. The applicable charge is:

	Switched Access Charge *	Special Access Charge	(T)
Service Date Change Charge			(T)
CenturyTel of Missouri	\$13.11 (R)	\$26.21	(C)
CenturyTel of Central Missouri	\$18.76 (N)	\$37.51 (N)	(N)

* This flat rated charge was calculated based upon a 50/50 split between originating and terminating. The FCC in their FCC 11-161 ICC Transformation Order in Section 51.907(d)(1) allowed Price Cap Carriers to use an equal split to divide the charge between originating and terminating elements. When the terminating portion of the rate is reduced and then combined with the originating portion of the rate, a single flat rate is generated for billing purposes. (N)

FACILITIES FOR INTRASTATE ACCESS

3. ORDERING OPTIONS FOR FIA (Cont'd)

3.2 Access Service Request (Cont'd)

3.2.2 ASR Modifications

The customer may request a modification of its ASR prior to the service date. The Telephone Company will make every effort to accommodate a requested modification when it is able to do so with the normal work force assigned to complete such an ASR within normal business hours. If the modification cannot be made with the normal work force during normal business hours, the Telephone Company will notify the customer. If the customer still desires the ASR modification, the Telephone Company will schedule a new service date. All charges for ASR modifications will apply on a per occurrence basis. Where a new ASR may be required the appropriate charges in other sections of this tariff will be applicable.

Any increase in the number of Switched Access lines for FGA or BSA-A; trunks or BHMCs for FGB, FGC, FGD, BSA-B, BSA-C, BSA-D and SAC Access Service and Special Access circuits will require the issuance of a new ASR for the incremental capacity.

(A) Service Date Change Charge

ASR service dates may be changed, however a Service Date Change Charge will apply for each service date change after the Plant Test Date on the ASR.

For Switched Access, the new service date may not exceed the original service date by more than 30 calendar days. If the requested service date is more than 30 calendar days after the original service date, the ASR will be canceled by the Telephone Company and cancellation charges in 3.2.6 will apply. The ASR will be reissued with the new service date.

For Special Access, except as specified below, the new service date may not exceed the original service date by more than 30 calendar days. If the requested service date is more than 30 calendar days after the original service date, the ASR will be canceled by the Telephone Company. Cancellation charges in 3.2.6 will apply and the ASR will be reissued with the new service date unless the customer indicates that billing for the service is to commence as in 3.2.6(A).

With the agreement of the Telephone Company, a new service date may be established that is prior to the original service date and the provisions in (E) will apply in addition to the Service Date Change Charge. The applicable charge is:

	<u>Rate</u>
Service Date Change Charge CenturyTel of Missouri	\$26.21

(N)

FACILITIES FOR INTRASTATE ACCESS

Missouri Public

REC'D JUL 15 2002

Service Commission

3. ORDERING OPTIONS FOR FIA (Cont'd)

3.2 Access Service Request (Cont'd)

3.2.2 ASR Modifications

The customer may request a modification of its ASR prior to the service date. The Telephone Company will make every effort to accommodate a requested modification when it is able to do so with the normal work force assigned to complete such an ASR within normal business hours. If the modification cannot be made with the normal work force during normal business hours, the Telephone Company will notify the customer. If the customer still desires the ASR modification, the Telephone Company will schedule a new service date. All charges for ASR modifications will apply on a per occurrence basis. Where a new ASR may be required the appropriate charges in other sections of this tariff will be applicable.

Any increase in the number of Switched Access lines for FGA or BSA-A; trunks or BHMCs for FGB, FGC, FGD, BSA-E, BSA-C, BSA-D and SAC Access Service and Special Access circuits will require the issuance of a new ASR for the incremental capacity.

(A) Service Date Change Charge

ASR service dates may be changed, however a Service Date Change Charge will apply for each service date change after the Plant Test Date on the ASR.

For Switched Access, the new service date may not exceed the original service date by more than 30 calendar days. If the requested service date is more than 30 calendar days after the original service date, the ASR will be canceled by the Telephone Company and cancellation charges in 3.2.6 will apply. The ASR will be reissued with the new service date.

For Special Access, except as specified below, the new service date may not exceed the original service date by more than 30 calendar days. If the requested service date is more than 30 calendar days after the original service date, the ASR will be canceled by the Telephone Company. Cancellation charges in 3.2.6 will apply and the ASR will be reissued with the new service date unless the customer indicates that billing for the service is to commence as in 3.2.6(A).

With the agreement of the Telephone Company, a new service date may be established that is prior to the original service date and the provisions in (E) will apply in addition to the Service Date Change Charge. The applicable charge is:

	<u>Rate</u>
(USOC)	(SUM)
	\$64.95

Missouri Public

Issued: July 18, 2002

Jeffrey Glover
Vice President External Relations
Monroe, Louisiana

Effective: September 1, 2002

FILED SEP 01 2002

TM 02-02-232
Service Commission

CANCELLED
July 2, 2013
Missouri Public
Service Commission
JI-2013-0493

FACILITIES FOR INTRASTATE ACCESS

Missouri Public

REC'D JUL 15 2002

3. ORDERING OPTIONS FOR FIA (Cont'd)

Service Commission

3.2 Access Service Request (Cont'd)

3.2.2 ASR Modifications (Cont'd)

(B) Partial Cancellation Charge

Any decrease in the number of Switched Access lines for FGA or BSA-A; trunks or BHMCs for FGB, FGC, FGD, BSA-B, BSA-C, BSA-D and SAC Access Service and Special Access circuits will be treated as a partial cancellation.

A customer may cancel any number of Special Access circuits. For Switched Access Services, the capacity canceled may be subject to the Minimum Capacity Requirements in 3.5.

When a customer partially cancels the service ordered on an ASR, charges will apply as follows:

- (1) Except as specified in 3.2.6(D), when an ASR for Switched Access Service is partially canceled on or after the Application Date, the associated Initial Ordering Charge - Switched Access will apply, plus the Subsequent Ordering Charge - Switched Access in 4.5.2(A)(2) will also apply for the reissuance of a supplement order.
- (2) When an ASR for Special Access Service is partially canceled on or after the Application Date and before the Plant Test Date, the associated Initial Ordering Charge - Special Access will apply, plus the Subsequent Ordering Charge - Special Access in 5.6.1(D) will also apply for the reissuance of a supplement order.

When an ASR for Special Access Service is partially canceled on or after the Plant Test Date, the Initial and Subsequent Ordering Charges will apply, plus the Installation Charge(s) associated with the items canceled.

Missouri Public

CANCELLED - Missouri Public Service Commission - 02/16/2023 - TN-2023-0237 - YI-2023-0144

FACILITIES FOR INTRASTATE ACCESS

Missouri Public

REC'D JUL 15 2002

Service Commission

3. ORDERING OPTIONS FOR FIA (Cont'd)

3.2 Access Service Request (Cont'd)

3.2.2 ASR Modifications (Cont'd)

(C) Discontinuance of Service

A customer may discontinue FIA that is in service at any time. The request for discontinuance of service must be received by the Telephone Company at least two business days prior to the date on which service is to be disconnected and billing discontinued. The request may be verbal or written, however, a verbal request must be followed, within ten days, by written confirmation. The written confirmation serves as a confirmation of the verbal request rather than a request itself. The customer must notify the Telephone Company of a delay or cancellation in the discontinuance request prior to the disconnect date. The Telephone Company, where possible, will establish the disconnect date in accordance with such request. Billing and service will then continue until the new requested disconnect date. If a service is discontinued prior to the expiration of the Minimum Period in 3.2.4, the Minimum Period Charges in 3.2.5, may apply. For Switched Access Service, the capacity discontinued may be subject to the Minimum Capacity Requirements in 3.5.

(D) Design Change Charge

The customer may request a design change to a pending ASR for both Switched and Special Access or request a change to an existing Switched Access Service. A design change is a change which requires engineering review. The regulations, rates and charges for a design change are in Section 4.5.2(A)(2)(b) for Switched Access Service, and Section 5.6.1(D)(3) for Special Access Service, and are in addition to the regulations, rates and charges specified in this section.

(E) Requests for Expedition

A customer may request an expedited service date. When this situation occurs, charges will be applicable as in 6.2. The Telephone Company will provide an estimate of the charges to the customer. The customer must accept the price estimate prior to the Telephone Company's performing the expedite. The actual charges billed to the customer will be no more than 10 percent over the estimate.

3.2.3 Selection of Facilities for Access Service

(A) (Reserved for Future Use)

(B) Requests for a specific circuit is not an option of the customer except as provided for under Special Facilities Routing of FIA in Section 9.

Missouri Public

CANCELLED - Missouri Public Service Commission - 02/16/2023 - TN-2023-0237 - YI-2023-0144

FACILITIES FOR INTRASTATE ACCESS

3. ORDERING OPTIONS FOR FIA (Cont'd)

3.2 Access Service Request (Cont'd)

3.2.4 Minimum Period

- (A) The Minimum Period for which Special Access is provided and for which charges are applicable, is one month, except as in B through G.
- (B) The Minimum Period for Miscellaneous Services is in Section 6.
- (C) The Minimum Period for Ancillary Services is in Section 8.
- (D) The Minimum Period for temporary videoband and program audio Special Access is the minimum period for which rates are established in Section 5.7.
- (E) The Minimum Period for FIA provided under Special Construction provisions and for which charges are applicable in Section 10.
- (F) The Minimum Period for FGA, FGB, FGC, BSA-A, BSA-B, BSA-C and SAC Access Service, and also for FGD or BSA-D ordered after the conversion of an end office to equal access, is three months. For the application of the minimum period charges for Switched Access Service FGB, FGC, BSA-B, BSA-C, SAC Access Service, and for FGD or BSA-D ordered after the conversion of an end office to Equal Access, it is assumed the last identical capacity placed in service is the first one discontinued.
- (G) For FGD or BSA-D ordered prior to the conversion of an end office to equal access and (1) canceled prior to the conversion date, a Cancellation Charge in 3.2.6 applies or (2) canceled on or after the equal access conversion date, a Discontinuance Charge in 3.2.7 applies.

3.2.5 Minimum Period Charges

When FIA are discontinued prior to the expiration of the Minimum Period, charges are applicable for the remaining month(s) and/or fraction thereof of the Minimum Period.

The Minimum Period Charge will be determined as follows:

- (A) For Switched Access usage sensitive rate elements, the charge for the minimum period, or fraction thereof, is equal to the applicable rates for the actual or assumed usage for the minimum period or such fraction thereof. For Switched Access flat-rated monthly elements (i.e., Entrance Facility, Direct-Trunked Transport and Multiplexing rates), the charge for the minimum period or fraction thereof is the applicable monthly rates for the service.
- (B) For Special Access, the charge is the applicable monthly rate for the service(s) as in 5.7.
- (C) (Reserved for Future Use)

(C)
(N)
|
(N)

ISSUED: May 1, 2012

Gary Kepley
Director - Regulatory Operations
Overland Park, Kansas

EFFECTIVE: July 3, 2012

FILED
Missouri Public
Service Commission
TT-2012-0317, YI-2012-0633

CANCELLED - Missouri Public Service Commission - 02/16/2023 - TN-2023-0237 - YI-2023-0144

FACILITIES FOR INTRASTATE ACCESS

Missouri Public

REC'D JUL 15 2002

3. ORDERING OPTIONS FOR FIA (Cont'd)

Service Commission

3.2 Access Service Request (Cont'd)

3.2.4 Minimum Period

- (A) The Minimum Period for which Special Access is provided and for which charges are applicable, is one month, except as in B through G.
- (B) The Minimum Period for Miscellaneous Services is in Section 6.
- (C) The Minimum Period for Ancillary Services is in Section 8.
- (D) The Minimum Period for temporary videoband and program audio Special Access is the minimum period for which rates are established in Section 5.7.
- (E) The Minimum Period for FIA provided under Special Construction provisions and for which charges are applicable in Section 10.
- (F) The Minimum Period for FGA, FGB, FGC, BSA-A, BSA-B, BSA-C and SAC Access Service, and also for FGD or BSA-D ordered after the conversion of an end office to equal access, is three months. For the application of the minimum period charges for Switched Access Service FGB, FGC, BSA-B, BSA-C, SAC Access Service, and for FGD or BSA-D ordered after the conversion of an end office to Equal Access, it is assumed the last identical capacity placed in service is the first one discontinued.
- (G) For FGD or BSA-D ordered prior to the conversion of an end office to equal access and (1) canceled prior to the conversion date, a Cancellation Charge in 3.2.6 applies or (2) canceled on or after the equal access conversion date, a Discontinuance Charge in 3.2.7 applies.

3.2.5 Minimum Period Charges

When FIA are discontinued prior to the expiration of the Minimum Period, charges are applicable for the remaining month(s) and/or fraction thereof of the Minimum Period.

The Minimum Period Charge will be determined as follows:

- (A) (Reserved for Future Use)
- (B) For Special Access, the charge is the applicable monthly rate for the service(s) as in 5.7.
- (C) (Reserved for Future Use)

Issued: July 18, 2002

Missouri Public
Effective: September 1, 2002

CANCELED
July 2, 2013
Missouri Public
Service Commission
JI-2013-0493

Jeffrey Glover
Vice President External Relations
Monroe, Louisiana

FILED SEP 01 2002
TM 02-232
Service Commission

FACILITIES FOR INTRASTATE ACCESS

3. ORDERING OPTIONS FOR FIA (Cont'd)

3.2 Access Service Request (Cont'd)

3.2.5 Minimum Period Charges (Cont'd)

- (D) For FGD or BSA-D ordered prior to conversion of an end office to equal access, but canceled after the equal access conversion date, a Discontinuance Charge in 3.2.7 applies.
- (E) For part-time or occasional program audio Special Access services, the rates in 5.6.1 and 5.7 will apply.
- (F) For FGA, FGB, BSA-A and BSA-B Type service where measurement equipment is not available and the Assumed Minutes of Use Monthly Surrogate is used, the charge will be the prorated amount on a daily basis, calculated at 1/30 of the applicable rate shown in Section 4.6.7, for each day of the minimum period the facility was in service.

3.2.6 Cancellation of an ASR

- (A) A customer may cancel ordered FIA on any date prior to the service date. The cancellation date is the date the Telephone Company receives written or verbal notice from the customer that the ASR is to be canceled. The verbal notice must be followed by written confirmation within 10 days.

If a Customer is unable to accept Access Service within 30 calendar days of the latest agreed upon service date, the customer has the choice of the following options:

- The Access Order will be canceled and charges set forth, following, will apply if the service has not been fully provisioned; or
- The Access Order will be completed and billing for the service will commence if the service has been fully provisioned or the customer has indicated that billing for the service should begin.

(C)

(C)

(D)

(D)

ISSUED: March 16, 2017

EFFECTIVE: April 18, 2017

Gary Kepley
Director - Regulatory Operations
New Century, Kansas

FILED
Missouri Public
Service Commission
JI-2017-0176

CANCELLED - Missouri Public Service Commission - 02/16/2023 - TN-2023-0237 - YI-2023-0144

FACILITIES FOR INTRASTATE ACCESS

3. ORDERING OPTIONS FOR FIA (Cont'd)

3.2 Access Service Request (Cont'd)

3.2.5 Minimum Period Charges (Cont'd)

- (D) For FGD or BSA-D ordered prior to conversion of an end office to equal access, but canceled after the equal access conversion date, a Discontinuance Charge in 3.2.7 applies.
- (E) For part-time or occasional program audio Special Access services, the rates in 5.6.1 and 5.7 will apply.
- (F) For FGA, FGB, BSA-A and BSA-B Type service where measurement equipment is not available and the Assumed Minutes of Use Monthly Surrogate is used, the charge will be the prorated amount on a daily basis, calculated at 1/30 of the applicable rate shown in Section 4.6.7, for each day of the minimum period the facility was in service.

3.2.6 Cancellation of an ASR

- (A) A customer may cancel ordered FIA on any date prior to the service date. The cancellation date is the date the Telephone Company receives written or verbal notice from the customer that the ASR is to be canceled. The verbal notice must be followed by written confirmation within 10 days.

For Switched Access Tandem-Switched Transport or ASRs requesting additional trunk activations on existing Direct-Trunked Transport facilities, if a customer is unable to accept service within 30 calendar days of the original service date, the ASR shall be considered canceled and charges in (C) and (D) will apply. In such instances, the cancellation date shall be the 31st calendar day beyond the original service date of the ASR. (C)

For Special Access and Switched Access Entrance Facilities and Direct-Trunked Transport, if a customer is unable to accept service within 30 calendar days of the original service date, the customer has the choice of the following options: (C)

- The Special Access ASR shall be canceled and charges in (C) will apply, or
- Billing for the service will commence.

In either case, the cancellation date or the billing date shall commence on the 31st calendar day beyond the original service date of the ASR.

ISSUED: May 1, 2012

EFFECTIVE: July 3, 2012

Gary Kepley
Director - Regulatory Operations
Overland Park, Kansas

FILED
Missouri Public
Service Commission
TT-2012-0317, YI-2012-0633

FACILITIES FOR INTRASTATE ACCESS

Missouri Public

REC'D JUL 15 2002

3. ORDERING OPTIONS FOR FIA (Cont'd)

Service Commission

3.2 Access Service Request (Cont'd)

3.2.5 Minimum Period Charges (Cont'd)

- (D) For FGD or BSA-D ordered prior to conversion of an end office to equal access, but canceled after the equal access conversion date, a Discontinuance Charge in 3.2.7 applies.
- (E) For part-time or occasional program audio Special Access services, the rates in 5.6.1 and 5.7 will apply.
- (F) For FGA, FGB, BSA-A and BSA-B Type service where measurement equipment is not available and the Assumed Minutes of Use Monthly Surrogate is used, the charge will be the prorated amount on a daily basis, calculated at 1/30 of the applicable rate shown in Section 4.6.7, for each day of the minimum period the facility was in service.

3.2.6 Cancellation of an ASR

- (A) A customer may cancel ordered FIA on any date prior to the service date. The cancellation date is the date the Telephone Company receives written or verbal notice from the customer that the ASR is to be canceled. The verbal notice must be followed by written confirmation within 10 days.

For Switched Access, if a customer is unable to accept service within 30 calendar days of the original service date, the ASR shall be considered canceled and charges in (C) and (D) will apply. In such instances, the cancellation date shall be the 31st calendar day beyond the original service date of the ASR.

For Special Access, if a customer is unable to accept service within 30 calendar days of the original service date, the customer has the choice of the following options:

- The Special Access ASR shall be canceled and charges in (C) will apply, or
- Billing for the service will commence.

In either case, the cancellation date or the billing date shall commence on the 31st calendar day beyond the original service date of the ASR.

Issued: July 18, 2002

Missouri Public
Effective: September 1, 2002

CANCELED
July 2, 2013
Missouri Public
Service Commission
JI-2013-0493

Jeffrey Glover
Vice President External Relations
Monroe, Louisiana

FILED SEP 01 2002
TM 02-232
Service Commission

FACILITIES FOR INTRASTATE ACCESS

Missouri Public

3. ORDERING OPTIONS FOR FIA (Cont'd)

REC'D JUL 15 2002

3.2 Access Service Request (Cont'd)

Service Commission

3.2.6 Cancellation of an ASR (Cont'd)

(B) ASR costs are considered to have started when the Telephone Company incurs any cost in connection therewith or in preparation thereof which would not otherwise have been incurred. These costs include but are not limited to preliminary engineering, orders to suppliers, and other similar items of cost. For purposes of determining cancellation charges, the costs are considered to have started the day the Telephone Company receives the ASR. For all ASRs this is known as the Application Date. The customer will be notified of the applicable critical date interval on the Firm Order Confirmation (FOC) Date. The cancellation charges will not apply until the customer is notified of such charges.

(C) When a customer cancels an ASR for the installation of new service, or an ASR to modify existing service, charges will apply as follows:

(1) Except as specified in (D), when an ASR for Switched Access Service is canceled on or after the Scheduled Issue Date, all nonrecurring charges associated with the Switched Access ASR, will apply as in 4.5.2(A)(2)(a).

(2) When an ASR for Special Access Service is canceled on or after the Scheduled Issue Date and before the Plant Test Date, the appropriate Service Ordering Charge will apply as in 5.6.1(D)(1).

When an ASR for Special Access Service is canceled on or after the Plant Test Date, the Initial or Subsequent Ordering Charge and Service Installation Charges will apply as in 5.6.1(D), plus any Installation Charges associated with supplemental features, multiplexing arrangements, DS1, DS3 or temporary video services.

Issued: July 18, 2002

Jeffrey Glover
Vice President External Relations
Monroe, Louisiana

Effective: September 1, 2002
Missouri Public

FILED SEP 01 2002
TM 02-232
Service Commission

CANCELLED - Missouri Public Service Commission - 02/16/2023 - TN-2023-0237 - YI-2023-0144

FACILITIES FOR INTRASTATE ACCESS

Missouri Public

REC'D JUL 15 2002

3. ORDERING OPTIONS FOR FIA (Cont'd)

Service Commission

3.2 Access Service Request (Cont'd)

3.2.6 Cancellation of an ASR (Cont'd)

(C) (Cont'd)

- (3) When a customer chooses to commence billing rather than cancel an ASR for Special Access as in (A), the customer must submit an ASR prior to calendar day 31 from the original service date and request a service date change. The new service date may not exceed the original service date by more than 120 calendar days. Charges in 3.2.2(A) will only apply for each subsequent service date change request after calendar day 31, not to exceed 120 calendar days.

When a customer elects to commence billing, monthly recurring charges will begin accruing at calendar day 31 after the original service date. Upon completion of the ASR, the initial bill for Special Access Service will include these accrued charges and any additional nonrecurring charges in addition to billable charges specified in 2.4.1(C).

If the ASR is not completed within 121 calendar days of the original service date, the ASR will be canceled. Cancellation charges in (C)(2) will apply. In addition, the customer will be billed the accrued monthly recurring charges specified above plus any additional nonrecurring charges applicable for the Special Access Service. These charges will be computed commencing at day 31 after the original service date up to and including the cancellation date, not to exceed 90 days of service (120 days from the original service date). The Telephone Company will not reissue an ASR with a new service date beyond 121 calendar days. It will be the customer's responsibility to submit a new ASR for Special Access Service.

Issued: July 18, 2002

Jeffrey Glover
Vice President External Relations
Monroe, Louisiana

Missouri Public
Effective: September 1, 2002

FILED SEP 01 2002
TMO-02-232
Service Commission

CANCELLED - Missouri Public Service Commission - 02/16/2023 - TN-2023-0237 - YI-2023-0144

FACILITIES FOR INTRASTATE ACCESS

Missouri Public

REC'D JUL 15 2002

3. ORDERING OPTIONS FOR FIA (Cont'd)

Service Commission

3.2 Access Service Request (Cont'd)

3.2.6 Cancellation of an ASR (Cont'd)

(D) For cancellation of an ASR for Switched Access FGD or BSA-D before an end office converts to equal access, cancellation charges will apply if the Telephone Company is notified of the cancellation within a period of 12 months prior to the scheduled service date. Cancellation charges apply to each trunk canceled.

When, due to a shortage of FGD or BSA-D facilities an allocation of FGD or BSA-D facilities is made, cancellation charges apply only to circuits allocated to the customer.

Cancellation charges will accrue to the maximum in equal monthly increments (i.e., maximum cancellation charge divided by 12) beginning twelve months before an end office converts to equal access. Maximum cancellation charges are listed in Section 3.2.8. The charge applied will be the accrued charge in the month during which notice of cancellation is received by the Telephone Company.

Example:

Month During Which Notice Is Received Before Conversion Date	Charge (Per Trunk Canceled)
12	\$ 68.77
11	137.54
10	206.30
9	275.07
8	343.84
7	412.61
6	481.37
5	550.14
4	618.91
3	687.68
2	756.44
1	825.21

Issued: July 18, 2002

Jeffrey Glover
Vice President External Relations
Monroe, Louisiana

Missouri Public
Effective: September 1, 2002

FILED SEP 01 2002
TMO-02-232
Service Commission

CANCELLED - Missouri Public Service Commission - 02/16/2023 - TN-2023-0237 - YI-2023-0144

FACILITIES FOR INTRASTATE ACCESS

REC'D JUL 15 2002

3. ORDERING OPTIONS FOR FIA (Cont'd)

Service Commission

3.2 Access Service Request (Cont'd)

3.2.7 Discontinuance of Switched Access FGD or BSA-D

A Discontinuance Charge applies if a customer discontinues FGD or BSA-D service provided at the conversion of an end office to equal access. The Discontinuance Charge applies to each FGD or BSA-D trunk discontinued with one exception. When the FGD or BSA-D service is a result of an upgrade from FGB, FGC, BSA-B, BSA-C or SAC Access Service trunks in service prior to conversion to equal access, the Discontinuance Charge will only apply to the number of FGD or BSA-D trunks being discontinued that are in excess of the number of FGB, FGC, BSA-B, BSA-C or SAC Access Service trunks in service prior to conversion to equal access. However, the customer may still be liable for any Minimum Period charges in 3.2.5 that may be applicable to the FGB, FGC, BSA-B, BSA-C or SAC Access Service trunks that were in service prior to conversion. For purposes of calculating the Discontinuance Charge the Maximum Discontinuance Charge will be amortized in equal monthly increments (i.e., Maximum Discontinuance Charge divided by 12) over a 12 month period beginning on the date the end office converts to equal access. The Maximum Discontinuance Charge is equal to the FGD or BSA-D Maximum Cancellation Charge in 3.2.8. The charge assessed will be the unamortized portion of the Maximum Discontinuance Charge.

Example:

Month During Which Service is Discontinued After Conversion Date	Charge (Per Trunk Discontinued)
1	\$825.21
2	756.44
3	687.68
4	618.91
5	550.14
6	481.37
7	412.61
8	343.84
9	275.07
10	206.30
11	137.54
12	68.77

Missouri Public

Issued: July 18, 2002

Effective: September 1, 2002

Jeffrey Glover
Vice President External Relations
Monroe, Louisiana

FILED SEP 01 2002

TM 02-02-232
Service Commission

CANCELLED - Missouri Public Service Commission - 02/16/2023 - TN-2023-0237 - YI-2023-0144

FACILITIES FOR INTRASTATE ACCESS

Missouri Public

REC'D JUL 15 2002

3. ORDERING OPTIONS FOR FIA (Cont'd)

3.2 Access Service Request (Cont'd)

Service Commission

3.2.8 FGD or BSA-D Maximum Per Trunk Cancellation Charge

Charge

FGD or BSA-D Maximum Cancellation Charge, Per Trunk

\$825.21

3.3 Access Service Requests For Services Provided By More Than One Telephone Company

(A) Switched or Special Access Services provided by more than one telephone company are services where one end of the Switched Transport or Special Transport facility is in the operating territory of one telephone company and the other end of the facility is in the operating territory of a different telephone company.

The ordering procedure for this service is in (1) and (2). The telephone company will notify the customer, identifying which ordering procedures will apply.

(1) Single Company Billing

The telephone company receiving the ASR from the customer will arrange to provide the service and bill the customer as in 2.7(A)(1). The customer will place the ASR with the telephone company as follows:

(a) For Switched Access Services the customer will place the ASR with the telephone company in whose territory the following is located:

- FGA or BSA-A - dial tone office

When the preceding is not in the same telephone company's territory as the customer designated location (CDL), the customer must supply a copy of the ASR to the telephone company in whose territory the CDL is located.

Missouri Public

Issued: July 18, 2002

Effective: September 1, 2002

Jeffrey Glover
Vice President External Relations
Monroe, Louisiana

FILED SEP 01 2002

TM 02-232
Service Commission

CANCELLED - Missouri Public Service Commission - 02/16/2023 - TN-2023-0237 - YI-2023-0144

FACILITIES FOR INTRASTATE ACCESS

Missouri Public

REC'D JUL 15 2002

3. ORDERING OPTIONS FOR FIA (Cont'd)

Service Commission

3.3 Access Service Requests For Services Provided By More Than One Telephone Company

(A) (Cont'd)

(2) Meet Point Billing

Each telephone company will provide its portion of the Switched Transport or Special Transport service within its operating territory to the meet point with the other telephone company(s). The BP will be determined by the telephone companies involved in providing the FIA service and listed in the ECA Tariff FCC No. 4. (*)

For all Switched Access Services and all Special Access Services the order will be placed with the telephone company as specified in the Ordering and Billing Forum's Multiple Exchange Carrier Ordering and Design (MECOD) guidelines.

(B) When FGA or BSA-A is ordered in a Multicarrier Access Area, the customer must provide a copy of the order to all telephone companies providing the service from the CDL to the dial tone office.

(*) For IntraLATA LEC to LEC traffic, percentages of ownership will be determined by the V&H coordinates located in the Missouri PTC Plan IntraLATA Database.

Issued: July 18, 2002

Jeffrey Glover
Vice President External Relations
Monroe, Louisiana

Missouri Public

Effective: September 1, 2002

FILED SEP 01 2002

TM 02-232
Service Commission

CANCELLED - Missouri Public Service Commission - 02/16/2023 - TN-2023-0237 - YI-2023-0144

FACILITIES FOR INTRASTATE ACCESS

Missouri Public

REC'D JUL 15 2002

3. ORDERING OPTIONS FOR FIA (Cont'd)

Service Commission

3.4 (Reserved for Future Use)

3.5 Switched Access Minimum Capacity Requirements

3.5.1 When a customer orders Switched Access, it will be provided subject to the minimum capacity provisions in 3.5.2 through 3.5.5.

3.5.2 There is no minimum capacity for Interface Arrangements 1 and 2 in 3.5.5. However, for Interface Arrangements 3 through 10 the minimum capacity is in 3.5.5. A description of Interface Arrangements is found in 4.2.3(B).

3.5.3 (Reserved for Future Use)

3.5.4 For the purpose of administering the minimum capacity provisions, different Switched Access feature groups for the same customer may be grouped together if the facilities provided for all the connections are the same and terminate in the same facilities terminal in the same Telephone Company access tandem or end office.

CANCELLED - Missouri Public Service Commission - 02/16/2023 - TN-2023-0237 - YI-2023-0144

Issued: July 18, 2002

Jeffrey Glover
Vice President External Relations
Monroe, Louisiana

Missouri Public
Effective: September 1, 2002

FILED SEP 01 2002
TM 02-02-232
Service Commission

FACILITIES FOR INTRASTATE ACCESS

REC'D JUL 15 2002

3. ORDERING OPTIONS FOR FIA (Cont'd)

Service Commission

3.5 Switched Access Minimum Capacity Requirements (Cont'd)

3.5.5 The following table provides the total capacity of the interface and the thresholds for minimum ASR requirements. When the customer requests one of the following it is required to order sufficient Lines for FGA or BSA-A, and sufficient trunks or BHMCs for FGB, FGC, FGD, BSA-B, BSA-C, BSA-D and SAC Access Service to satisfy the minimum capacity. When the customer requests more than one of the same Interface Arrangements, it is required to meet the total minimum capacity of all such Interface Arrangements.

<u>Interface Arrangement</u>	<u>Interface Type</u>	<u>Interface Name</u>	<u>Total Capacity (circuits)</u>	<u>Minimum Capacity (circuits)</u>
1	Voice Frequency	2-Wire	1	NA
2	Voice Frequency	4-Wire	1	NA
3	Analog	Group	12	9
4	Analog	Supergroup	60	42
5	Analog	Mastergroup	600	420
6	Digital	DS1	24	17
7	Digital	DS1C	48	34
8				
9	Digital	DS3	672	471
10	Digital	DS3C	1344	941

CANCELLED - Missouri Public Service Commission - 02/16/2023 - TN-2023-0237 - YI-2023-0144

Issued: July 18, 2002

Jeffrey Glover
Vice President External Relations
Monroe, Louisiana

Missouri Public

Effective: September 1, 2002

FILED SEP 01 2002

TM 02-02-232
Service Commission

FACILITIES FOR INTRASTATE ACCESS

SECTION 4 TABLE OF CONTENTS

4.	<u>SWITCHED ACCESS</u>	<u>Sheet</u>	
4.1	<u>General</u>	70	
4.2	<u>Description of Switched Access</u>	71	
4.2.1	Descriptions of Feature Groups	71	
	(A) Feature Group A	71	
	(B) Feature Group B	76	
	(C) Feature Group C	82	
	(D) Feature Group D	89	
	(E) SAC Access Service	96	
4.2.2	Description of Basic Serving Arrangements	98	
	(A) BSA-A	98	
	(B) BSA-B	102	
	(C) BSA-C	104.2	
	(D) BSA-D	104.7	
	(E) (Reserved for Future Use)	104.13	
	(F) Alarm Signal Transport Service (ASTs)	104.13	
4.2.3	Description of Switched Transport	104.14	
	(A) General	104.14	
	(B) Entrance Facility	104.15	(C)
	(1) Two-Wire Voice Frequency Entrance Facility	104.16	
	(2) Four-Wire Voice Frequency Entrance Facility	104.16	
	(3) Group Analog Entrance Facility	104.17	
	(4) Supergroup Analog Entrance Facility	104.18	
	(5) Mastergroup Analog Entrance Facility	104.18	
	(6) DS1 Digital Entrance Facility	104.19	
	(7) DS1C Digital Entrance Facility	104.19	
	(8) DS2 Digital Entrance Facility	104.20	
	(9) DS3 Digital Entrance Facility	104.20	
	(10) DS3C Digital Entrance Facility	104.21	(C)
	(C) Direct-Trunked Transport	104.21.1	(C)
	(D) Tandem-Switched Transport	104.21.2	(N)
	(E) Interconnection Rate	104.21.3	
	(F) Multiplexing	104.21.4	(N)
	(G) Optional Arrangements	104.22	(C)
4.2.4	Description of End Office Services	104.23	

Material omitted from this page now appears on Original Sheet 66.1.

ISSUED: May 1, 2012

Gary Kepley
Director - Regulatory Operations
Overland Park, Kansas

EFFECTIVE: July 3, 2012

FILED
Missouri Public
Service Commission
TT-2012-0317, YI-2012-0633

CANCELLED - Missouri Public Service Commission - 02/16/2023 - TN-2023-0237 - YI-2023-0144

FACILITIES FOR INTRASTATE ACCESS

SECTION 4 TABLE OF CONTENTS

REC'D JUL 15 2002

4. SWITCHED ACCESS

Sheet

Service Commission

70

4.1	General	
4.2	Description of Switched Access	71
4.2.1	Descriptions of Feature Groups	71
	(A) Feature Group A	71
	(B) Feature Group B	76
	(C) Feature Group C	82
	(D) Feature Group D	89
	(E) SAC Access Service	96
4.2.2	Description of Basic Serving Arrangements	98
	(A) BSA-A	98
	(B) BSA-B	102
	(C) BSA-C	104.2
	(D) BSA-D	104.7
	(E) (Reserved for Future Use)	104.13
	(F) Alarm Signal Transport Service (ASTs)	104.13
4.2.3	Description of Switched Transport	104.14
	(A) General	104.14
	(B) Interface Arrangements	104.15
	(1) Two-Wire Voice Frequency Interface Arrangement	104.16
	(2) Four-Wire Voice Frequency Interface Arrangement	104.16
	(3) Group Analog Interface Arrangement	104.17
	(4) Supergroup Analog Interface Arrangement	104.18
	(5) Mastergroup Analog Interface Arrangement	104.18
	(6) DS1 Digital Interface Arrangement	104.19
	(7) DS1C Digital Interface Arrangement	104.19
	(8) DS2 Digital Interface Arrangement	104.20
	(9) DS3 Digital Interface Arrangement	104.20
	(10) DS3C Digital Interface Arrangement	104.21
	(C) Optional Arrangements	104.22
4.2.4	Description of End Office Services	104.23
4.2.5	End Office Services Optional Arrangements	105
	(A) Alternate Traffic Routing	105
	(B) Automatic Number Identification (ANI) Arrangement	105
	(C) Call Denial on Line or Hunt Group	106
	(D) InterLATA Call Denial on Line or Hunt Group	107
	(E) Call Denial on Line or Hunt Group Outside the Access Area	107
	(F) Dual Tone Multifrequency Address Signaling	108
	(G) Hunt Group Arrangement	108
	(H) Customer Specification of Switched Access Directionality	108
	(I) International Direct Distance Dialing Arrangement	108
	(J) Nonhunting Number for Use with Hunt Group Arrangement	109
	(K) Nonhunting Number for Use with Uniform Call Distribution Arrangement	109
	(L) Operator Assistance Full Feature Arrangement	109
	(M) Rotary Dial Station Signaling	109
	(N) Service Class Routing	109
	(O) Service Code Denial on Line or Hunt Group	109
	(P) Trunk Access Limitation	110
	(Q) Uniform Call Distribution Arrangement	110

FACILITIES FOR INTRASTATE ACCESS

(N)

SECTION 4 TABLE OF CONTENTS

4.	<u>SWITCHED ACCESS</u> (Cont'd)	Sheet	(N)
4.2.5	End Office Services Optional Arrangements	105	(M)
(A)	Alternate Traffic Routing	105	
(B)	Automatic Number Identification (ANI) Arrangement	105	
(C)	Call Denial on Line or Hunt Group	106	
(D)	InterLATA Call Denial on Line or Hunt Group	107	
(E)	Call Denial on Line or Hunt Group Outside the Access Area	107	
(F)	Dual Tone Multifrequency Address Signaling	108	
(G)	Hunt Group Arrangement	108	
(H)	Customer Specification of Switched Access Directionality	108	
(I)	International Direct Distance Dialing Arrangement	108	
(J)	Nonhunting Number for Use with Hunt Group Arrangement	109	
(K)	Nonhunting Number for Use with Uniform Call Distribution Arrangement	109	
(L)	Operator Assistance Full Feature Arrangement	109	
(M)	Rotary Dial Station Signaling	109	
(N)	Service Class Routing	109	
(O)	Service Code Denial on Line or Hunt Group	109	
(P)	Trunk Access Limitation	110	
(Q)	Uniform Call Distribution Arrangement	110	(M)

Certain material found on this page formerly appeared on Original Sheet 66.

ISSUED: May 1, 2012

Gary Kepley
Director - Regulatory Operations
Overland Park, Kansas

EFFECTIVE: July 3, 2012

FILED
Missouri Public
Service Commission
TT-2012-0317, YI-2012-0633

FACILITIES FOR INTRASTATE ACCESS

SECTION 4 TABLE OF CONTENTS (Cont'd)

(C)

4.	<u>SWITCHED ACCESS</u> (Cont'd)	<u>Sheet</u>	
4.2	<u>Description of Switched Access</u> (Cont'd)		
4.2.5	End Office Services Optional Arrangements (Cont'd)		
	(R) Up to 7 Digit Outpulsing of Access Digits to the Customer	110	
	(S) Band Advance Arrangement	110	
	(T) FGD and BSA-D Switched Access with 950-XXXX Access	111	
	(U) Operator Assistance for SAC Access Services	111	
	(V) Switched Access Interface	111	
	(W) (Reserved for Future Use)	117	
	(X) (Reserved for Future Use)	117	
	(Y) Switched Data Service	117	
	(Z) (Reserved for Future Use)	118	
	(A)(A) Signaling System 7 (SS7) Out of Band Signaling	118	
	(A)(B) Calling Party Number (CPN) Parameter	118	
	(A)(C) Carrier Selection Parameter (CSP)	119	
	(A)(D) Charge Number (CN) Parameter	119	
	(A)(E) Tandem Switch Signaling	119	(N)
	(A)(F) Tandem Access Sectorization	119.1	(N)
	(A)(G) Carrier Identification Parameter (CIP)	119.1	(C)
	(A)(H) Flexible Automatic Number Identification (FLEX ANI)	119.2	(N)
4.2.6	Call Restriction and Code Screening Reports	120	
4.2.7	Installation and Acceptance Testing of Switched Access	120	
4.2.8	Provision of Design Layout Report	120	
4.2.9	Network Management	120	
4.2.10	(Reserved for Future Use)	121	
4.2.11	800/888/877 Customer Identification Function	121	
4.2.12	900 Customer Identification Function	121	
4.2.13	Design and Routing of Switched Access	121	
4.2.14	Provision of Switched Access Performance Data	122	
4.2.15	Transmission Performance	122	
4.2.16	Design Blocking Probability	123	
4.2.17	Special Facilities Routing	124	
4.2.18	Information Surcharge	124	
4.2.19	800/888/877 Data Base Query Charge	125	
4.2.20	500 Customer Identification Function	125	
4.2.21	Tandem Switch Signaling	125	(C)
4.2.22	Basic Service Elements (BSEs)	125.1	
4.3	<u>Obligations of the Customer</u>	126	
4.3.1	On and Off-Hook Supervision	126	
4.3.2	ASR Requirements	126	
4.3.3	Jurisdictional Determination	126	
4.4	<u>Payment Arrangements and Credit Allowances</u>	128	
4.4.1	(Reserved for Future Use)	128	
4.4.2	Cancellation of Applications	128	
4.4.3	Credit Allowances	128	

ISSUED: May 1, 2012

EFFECTIVE: July 3, 2012

Gary Kepley
Director - Regulatory Operations
Overland Park, Kansas

FILED
Missouri Public
Service Commission
TT-2012-0317, YI-2012-0633

CANCELLED
July 2, 2013
Missouri Public
Service Commission
JI-2013-0493

FACILITIES FOR INTRASTATE ACCESS

Missouri Public

REC'D JUL 15 2002

TABLE OF CONTENTS (Cont'd)

Service Commission

4. SWITCHED ACCESS (Cont'd)

Sheet

4.2 Description of Switched Access (Cont'd)

4.2.5 End Office Services Optional Arrangements (Cont'd)

(R) Up to 7 Digit Outpulsing of Access Digits to the Customer.....	110
(S) Band Advance Arrangement.....	110
(T) FGD and BSA-D Switched Access with 950-XXXX Access.....	111
(U) Operator Assistance for SAC Access Services.....	111
(V) Switched Access Interface.....	111
(W) (Reserved for Future Use).....	117
(X) (Reserved for Future Use).....	117
(Y) Switched Data Service.....	117
(Z) (Reserved for Future Use).....	118
(A)(A) Signaling System 7 (SS7) Out of Band Signaling.....	118
(A)(B) Calling Party Number (CPN) Parameter.....	118
(A)(C) Carrier Selection Parameter (CSP).....	119
(A)(D) Charge Number (CN) Parameter.....	119
(A)(E) (Reserved for Future Use).....	119
(A)(F) (Reserved for Future Use).....	119
(A)(G) Carrier Identification Parameter (CIP).....	119
4.2.6 Call Restriction and Code Screening Reports.....	120
4.2.7 Installation and Acceptance Testing of Switched Access.....	120
4.2.8 Provision of Design Layout Report.....	120
4.2.9 Network Management.....	120
4.2.10 (Reserved for Future Use).....	121
4.2.11 800/888/877 Customer Identification Function.....	121
4.2.12 900 Customer Identification Function.....	121
4.2.13 Design and Routing of Switched Access.....	121
4.2.14 Provision of Switched Access Performance Data.....	122
4.2.15 Transmission Performance.....	122
4.2.16 Design Blocking Probability.....	123
4.2.17 Special Facilities Routing.....	124
4.2.18 Information Surcharge.....	124
4.2.19 800/888/877 Data Base Query Charge.....	125
4.2.20 500 Customer Identification Function.....	125
4.2.21 (Reserved For Future Use).....	
4.2.22 Basic Service Elements (BSEs).....	125.1

4.3 Obligations of the Customer..... 126

4.3.1 On and Off-Hook Supervision.....	126
4.3.2 ASR Requirements.....	126
4.3.3 Jurisdictional Determination.....	126

4.4 Payment Arrangements and Credit Allowances..... 128

4.4.1 (Reserved for Future Use).....	128
4.4.2 Cancellation of Applications.....	128
4.4.3 Credit Allowances.....	128

Missouri Public

Issued: July 18, 2002

CANCELED
July 2, 2013
Missouri Public
Service Commission
JI-2013-0493

Jeffrey Glover
Vice President External Relations
Monroe, Louisiana

Effective: September 1, 2002

FILED SEP 01 2002
TM 21-08-232
Service Commission

FACILITIES FOR INTRASTATE ACCESS

SECTION 4 TABLE OF CONTENTS (Cont'd)

4.	<u>SWITCHED ACCESS (Cont'd)</u>	<u>Sheet</u>
4.5	<u>Rate and Charge Regulations</u>	128
4.5.1	Rate Elements	128
4.5.2	Rate Regulations	129
	(A) Types of Rates and Charges	129
	(1) Usage Rates	129
	(2) Flat Rated	129
	(3) Nonrecurring Charges	129.1
	(B) (Reserved for Future Use)	133
	(C) (Reserved for Future Use)	133
	(D) (Reserved for Future Use)	133
	(E) Change of Switched Access Type	133
	(F) Moves	133
	(1) Same CDL	134
	(2) A Different CDL	134
	(G) Signaling System 7 (SS7) Out of Band Signaling	134
	(H) TFC Data Base Query Service	134
	(I) Network Blocking Charge for FGB, FGC, FGD, BSA-B, BSA-C, BSA-D and SAC Access Service	135
	(J) Determination of Interstate Charges for Mixed Interstate and Intrastate Switched Access	135
	(K) Local Dial-It Services	135
	(L) Directory Assistance	136
	(M) (Reserved for Future Use)	136
	(N) Description and Application of Rates	136
	(1) Determination of Premium Rates	136
	(2) Switched Transport	137
	(3) Extended FGA and BSA-A Terminating Traffic	140
	(4) Equal Access Notification	141
	(5) End Office Switching	141
	(6) Tandem Switch Signaling (TSS)	141.1
	(7) Dedicated Trunk Port Charge	141.2
	(8) Shared Trunk Port Charge	141.2
	(9) 500 NXX Translation Nonrecurring Charge	142
	(10) Carrier Identification Parameter (CIP)	142
	(O) Measuring Access Minutes	142
	(1) Feature Group A and BSA-A Usage Measurement	143
	(2) Feature Group B and BSA-B Usage Measurement	144
	(3) Usage Measurement Not Available for Feature Groups A and B and BSAs A and B	144
	(4) Feature Group C and BSA-C Usage Measurement	146
	(5) Feature Group D and BSA-D Usage Measurement	147
	(6) SAC Access Service Usage Measurement	148
	(P) FGD and BSA-D Switched Access Service with 950-XXXX Access	148
4.5.3	(Reserved for Future Use)	148
4.5.4	(Reserved for Future Use)	149
4.5.5	Application of Rates for FGA and BSA-A Extension Service	149
4.5.6	(Reserved for Future Use)	149
4.5.7	(Reserved for Future Use)	149
4.5.8	(Reserved for Future Use)	149
4.5.9	Shared Use Analog and Digital High Capacity Services	149
4.5.10	Basic Service Elements (BSEs)	149.1

(T)

FACILITIES FOR INTRASTATE ACCESS

SECTION 4 TABLE OF CONTENTS (Cont'd)

4.	<u>SWITCHED ACCESS (Cont'd)</u>	<u>Sheet</u>	
4.5	<u>Rate and Charge Regulations</u>	128	
4.5.1	Rate Elements	128	
4.5.2	Rate Regulations	129	
	(A) Types of Rates and Charges	129	
	(1) Usage Rates	129	
	(2) Flat Rated	129	(C)
	(3) Nonrecurring Charges	129.1	(C)
	(B) (Reserved for Future Use)	133	
	(C) (Reserved for Future Use)	133	
	(D) (Reserved for Future Use)	133	
	(E) Change of Switched Access Type	133	
	(F) Moves	133	
	(1) Same CDL	134	
	(2) A Different CDL	134	
	(G) Signaling System 7 (SS7) Out of Band Signaling	134	
	(H) 800/888/877 Data Base Query Service	134	
	(I) Network Blocking Charge for FGB, FGC, FGD, BSA-B, BSA-C, BSA-D and SAC Access Service	135	
	(J) Determination of Interstate Charges for Mixed Interstate and Intrastate Switched Access	135	
	(K) Local Dial-It Services	135	
	(L) Directory Assistance	136	
	(M) (Reserved for Future Use)	136	
	(N) Description and Application of Rates	136	
	(1) Determination of Premium Rates	136	
	(2) Switched Transport	137	
	(3) Extended FGA and BSA-A Terminating Traffic	140	
	(4) Equal Access Notification	141	
	(5) End Office Switching	141	
	(6) Tandem Switch Signaling (TSS)	141.1	(C)
	(7) Dedicated Trunk Port Charge	141.2	
	(8) Shared Trunk Port Charge	141.2	
	(9) 500 NXX Translation Nonrecurring Charge	142	(C)
	(10) Carrier Identification Parameter (CIP)	142	(N)
	(O) Measuring Access Minutes	142	
	(1) Feature Group A and BSA-A Usage Measurement	143	
	(2) Feature Group B and BSA-B Usage Measurement	144	
	(3) Usage Measurement Not Available for Feature Groups A and B and BSAs A and B	144	
	(4) Feature Group C and BSA-C Usage Measurement	146	
	(5) Feature Group D and BSA-D Usage Measurement	147	
	(6) SAC Access Service Usage Measurement	148	
	(P) FGD and BSA-D Switched Access Service with 950-XXXX Access	148	
4.5.3	(Reserved for Future Use)	148	
4.5.4	(Reserved for Future Use)	149	
4.5.5	Application of Rates for FGA and BSA-A Extension Service	149	
4.5.6	(Reserved for Future Use)	149	
4.5.7	(Reserved for Future Use)	149	
4.5.8	(Reserved for Future Use)	149	
4.5.9	Shared Use Analog and Digital High Capacity Services	149	(C)
4.5.10	Basic Service Elements (BSEs)	149.1	

ISSUED: May 1, 2012

Gary Kepley
Director - Regulatory Operations
Overland Park, Kansas

EFFECTIVE: July 3, 2012

FILED
Missouri Public
Service Commission
TT-2012-0317, YI-2012-0633

CANCELLED
July 2, 2013
Missouri Public
Service Commission
JI-2013-0493

FACILITIES FOR INTRASTATE ACCESS

REC'D JUL 15 2002

SECTION 4 TABLE OF CONTENTS (Cont'd)

4. SWITCHED ACCESS (Cont'd)

Service Commission ^{Sheet}

4.5	Rate and Charge Regulations	128
4.5.1	Rate Elements	128
4.5.2	Rate Regulations	129
	(A) Types of Rates and Charges	129
	(1) Usage Rates	129
	(2) Nonrecurring Charges	129
	(a) Switched Access Ordering Charges	129
	(1) Initial Ordering Charge - Switched Access	129
	(2) Subsequent Ordering Charge - Switched Access	130
	(b) Design Change Charge	131
	(B) (Reserved for Future Use)	133
	(C) (Reserved for Future Use)	133
	(D) (Reserved for Future Use)	133
	(E) Change of Switched Access Type	133
	(F) Moves	133
	(1) Same CDL	134
	(2) A Different CDL	134
	(G) Signaling System 7 (SS7) Out of Band Signaling	134
	(H) 800/888/877 Data Base Query Service	134
	(I) Network Blocking Charge for FGB, FGC, FGD, BSA-B, BSA-C, BSA-D and SAC Access Service	135
	(J) Determination of Interstate Charges for Mixed Interstate and Intrastate Switched Access	135
	(K) Local Dial-It Services	135
	(L) Directory Assistance	136
	(M) (Reserved for Future Use)	136
	(N) Description and Application of Rates	136
	(1) Determination of Premium Rates	136
	(2) Switched Transport	137
	(3) Extended FGA and BSA-A Terminating Traffic	140
	(4) Equal Access Notification	141
	(5) End Office Switching	141
	(6) (Reserved for Future Use)	
	(7) (Reserved for Future Use)	
	(8) 500 NXX Translation Nonrecurring Charge	142
	(9) Carrier Identification Parameter (CIP)	142
	(O) Measuring Access Minutes	142
	(1) Feature Group A and BSA-A Usage Measurement	143
	(2) Feature Group B and BSA-B Usage Measurement	144
	(3) Usage Measurement Not Available for Feature Groups A and B and BSAs A and B	144
	(4) Feature Group C and BSA-C Usage Measurement	146
	(5) Feature Group D and BSA-D Usage Measurement	147
	(6) SAC Access Service Usage Measurement	148
	(P) FGD and BSA-D Switched Access Service with 950-XXXX Access	148
4.5.3	(Reserved for Future Use)	148
4.5.4	(Reserved for Future Use)	149
4.5.5	Application of Rates for FGA and BSA-A Extension Service	149
4.5.6	(Reserved for Future Use)	149
4.5.7	(Reserved for Future Use)	149
4.5.8	(Reserved for Future Use)	149
4.5.9	(Reserved for Future Use)	149
4.5.10	Basic Service Elements (BSEs)	149.1

FACILITIES FOR INTRASTATE ACCESS
SECTION 4 TABLE OF CONTENTS (Cont'd)

4.	<u>SWITCHED ACCESS (Cont'd)</u>	<u>Sheet</u>	
4.6	<u>Rates and Charges</u>	150	
4.6.1	Nonrecurring Charges	150	
	(A) (Reserved for Future Use)	150	
	(B) Switched Access Service Ordering Charges	150	
	(C) Design Change Charge	150	
	(D) (Reserved for Future Use)	150	(C)
	(E) 500 NXX Translation Charge	150	
4.6.2	Switched Transport	151	
	(A) Tandem-Switched Transport-Facility	151	
	(B) Tandem-Switched Transport-Termination	151	
	(C) Tandem Switching	151	
	(D) Shared Multiplexing	151	
	(E) Interconnection Rate	151	
	(F) Direct-Trunked Transport-Voice Grade	151	
	(G) Direct-Trunked Transport-DS1	151	
	(H) Direct-Trunked Transport-DS3	151	
	(I) Dedicated Trunk Port	151.1	
	(J) Entrance Facility-Voice Grade	151.1	
	(K) Entrance Facility-DS1	151.1	
	(L) Entrance Facility-DS3	151.1	
	(M) Multiplexing	151.1	
4.6.3	End Office Services	152	
	(A) 800/888/877 Data Base Query Service	152	
	(B) End Office Switching-Bundled (EOSB)	152	
	(C) End Office Switching-Unbundled (EOSU)-Circuit Switched Line	152	
	(D) End Office Switching-Unbundled (EOSU)-Circuit Switched Trunk	152	
	(E) Alternate Traffic Routing - BSE	152	
	(F) Automatic Number Identification (ANI) - BSE	152.1	
	(G) User Transfer -BSE	152.1	
	(H) Hunt Group Arrangement - BSE	152.1	
	(I) Queuing - BSE	152.1	
	(J) Uniform Call Distribution - BSE	152.1	
	(K) Network Blocking Charge	152.1	(C)
	(L) Remote Call Forwarding - BSE	152.2	
	(M) Direct Inward Dialing (DID) - BSE	152.2	
	(N) Billed Number Screening (BNS) - BSE	152.2	
	(O) Shared Trunk Port	152.2	
	(P) Dedicated Trunk Port	152.2	(N)
4.6.4	(Reserved For Future Use)	153	(C)
4.6.5	FGA and BSA-A Usage Sensitive Credit Allowance	153	
4.6.6	(Reserved For Future Use)		
4.6.7	Assumed Minutes of Use Monthly Surrogate	153	

ISSUED: May 1, 2013

EFFECTIVE: July 2, 2013

Gary Kepley
Director - Regulatory Operations
Overland Park, Kansas

FILED
Missouri Public
Service Commission
JI-2013-0493

CANCELLED - Missouri Public Service Commission - 02/16/2023 - TN-2023-0237 - YI-2023-0144

FACILITIES FOR INTRASTATE ACCESS

SECTION 4 TABLE OF CONTENTS (Cont'd)

4.	<u>SWITCHED ACCESS</u> (Cont'd)	<u>Sheet</u>	
4.6	<u>Rates and Charges</u>	150	
4.6.1	Nonrecurring Charges	150	
	(A) (Reserved for Future Use)	150	
	(B) Switched Access Service Ordering Charges	150	
	(C) Design Change Charge	150	
	(D) Network Blocking Charge	150	
	(E) 500 NXX Translation Charge	150	
4.6.2	Switched Transport	151	
	(A) Tandem-Switched Transport-Facility	151	(C)
	(B) Tandem-Switched Transport-Termination	151	(C)
	(C) Tandem Switching	151	(N)
	(D) Shared Multiplexing	151	
	(E) Interconnection Rate	151	
	(F) Direct-Trunked Transport-Voice Grade	151	
	(G) Direct-Trunked Transport-DS1	151	
	(H) Direct-Trunked Transport-DS3	151	
	(I) Dedicated Trunk Port	151.1	
	(J) Entrance Facility-Voice Grade	151.1	
	(K) Entrance Facility-DS1	151.1	
	(L) Entrance Facility-DS3	151.1	
	(M) Multiplexing	151.1	(N)
4.6.3	End Office Services	152	
	(A) 800/888/877 Data Base Query Service	152	
	(B) End Office Switching-Bundled (EOSB)	152	
	(C) End Office Switching-Unbundled (EOSU)-Circuit Switched Line	152	
	(D) End Office Switching-Unbundled (EOSU)-Circuit Switched Trunk	152	
	(E) Alternate Traffic Routing - BSE	152	
	(F) Automatic Number Identification (ANI) - BSE	152.1	
	(G) User Transfer -BSE	152.1	
	(H) Hunt Group Arrangement - BSE	152.1	
	(I) Queuing - BSE	152.1	
	(J) Uniform Call Distribution - BSE	152.1	
	(K) (Reserved for Future Use)	152.1	
	(L) Remote Call Forwarding - BSE	152.2	
	(M) Direct Inward Dialing (DID) - BSE	152.2	
	(N) Billed Number Screening (BNS) - BSE	152.2	
	(O) Shared Trunk Port	152.2	(N)
4.6.4	Information Surcharge	153	
4.6.5	FGA and BSA-A Usage Sensitive Credit Allowance	153	
4.6.6	(Reserved For Future Use)		
4.6.7	Assumed Minutes of Use Monthly Surrogate	153	

ISSUED: May 1, 2012

EFFECTIVE: July 3, 2012

Gary Kepley
Director - Regulatory Operations
Overland Park, Kansas

FILED
Missouri Public
Service Commission
TT-2012-0317, YI-2012-0633

CANCELLED
July 2, 2013
Missouri Public
Service Commission
JI-2013-0493

FACILITIES FOR INTRASTATE ACCESS

Missouri Public

REC'D JUL 15 2002

TABLE OF CONTENTS (Cont'd)

Service Commission

4.	<u>SWITCHED ACCESS (Cont'd)</u>	Sheet
4.6	<u>Rates and Charges</u>	150
4.6.1	Nonrecurring Charges	150
	(A) (Reserved for Future Use)	150
	(B) Switched Access Service Ordering Charges	150
	(C) Design Change Charge	150
	(D) Network Blocking Charge	150
	(E) 500 NXX Translation Charge	150
4.6.2	Switched Transport	151
	(A) Switched Transport Facility	151
	(B) Switched Transport Termination	151
4.6.3	End Office Services	152
	(A) 800/888/877 Data Base Query Service	152
	(B) End Office Switching-Bundled (EOSB)	152
	(C) End Office Switching-Unbundled (EOSU)-Circuit Switched Line	152
	(D) End Office Switching-Unbundled (EOSU)-Circuit Switched Trunk	152
	(E) Alternate Traffic Routing - BSE	152
	(F) Automatic Number Identification (ANI) - BSE	152.1
	(G) User Transfer -BSE	152.1
	(H) Hunt Group Arrangement - BSE	152.1
	(I) Queuing - BSE	152.1
	(J) Uniform Call Distribution - BSE	152.1
	(K) (Reserved for Future Use)	152.1
	(L) Remote Call Forwarding - BSE	152.2
	(M) Direct Inward Dialing (DID) - BSE	152.2
	(N) Billed Number Screening (BNS) - BSE	152.2
4.6.4	Information Surcharge	153
4.6.5	FGA and BSA-A Usage Sensitive Credit Allowance	153
4.6.6	(Reserved For Future Use)	153
4.6.7	Assumed Minutes of Use Monthly Surrogate	153
4.6.8	Carrier Identification Parameter (CIP)	153

Missouri Public

Issued: July 18, 2002

CANCELED
July 2, 2013
Missouri Public
Service Commission
JI-2013-0493

Jeffrey Glover
Vice President External Relations
Monroe, Louisiana

Effective: September 1, 2002
FILED SEP 01 2002

TM 02-02-232
Service Commission

FACILITIES FOR INTRASTATE ACCESS

4. SWITCHED ACCESS

4.1 General

Switched Access provides two-point communications paths between the point of termination at a CDL and the points of termination at Telephone Company end user premises within the Access Area. Each path is established through the use of Switched Transport, (Entrance Facilities, Direct-Trunked Transport and/or Tandem Switched Transport) End Office Services, and Common Lines or Special Access Lines. Switched Access provides for the ability to originate calls from an end user's premises to the CDL and to terminate calls from the CDL to an end user's premises. Specific descriptions of Switched Access are in 4.2.

Switched Access Service purchased from the provisions of this tariff may be commingled with unbundled network elements, where available, or unbundled network element combinations, where available, purchased pursuant to the Commission's Part 51 Interconnection Rules and in compliance with the Federal Communications Commission's Report and Order on Remand and Further Notice of Proposed Rulemaking in CC Docket Nos. 01-338, 96-98 and 98-147, adopted February 20, 2003 and released August 21, 2003 (FCC 03-36). Unbundled elements and commingling are not available in designated rural CenturyLink Operating Companies where a 251 (f) exemption is in effect.

Switched Access is ordered in either quantities of lines, trunks or in Busy Hour Minutes of Capacity (BHMC). FGA and BSA-A is furnished on a per-line basis, and FGB, FGC, FGD, BSA-B, BSA-C, BSA-D and SAC Access Service are furnished on a per-trunk basis in accordance with the capacity ordered in trunks or BHMC.

Quantities of lines, trunks or total BHMC of the circuit group connecting the first point of switching and the CDL are determined at the Telephone Company's first point of switching.

A customer may designate one or more CDLs within the LATA for FGA, FGB, FGC, FGD, BSA-A, BSA-B, BSA-C, BSA-D Switched Access or SAC Access Service, except that in the case of 800 SAC Access Service, customers may request connections only to suitably equipped end offices and access tandem offices as discussed in 3.1.1(D).

The following option will not be applicable to FGC, FGD, BSA-C and BSA-D. When the first point of switching and the CDL are in the same Wire Center Area, transport for FGA, FGB, BSA-A or BSA-B Switched Access Service is rated as in Section 4.2.3. When the Telephone Company's first point of switching and the CDL are served by different Wire Center Areas for FGA, FGB, BSA-A or BSA-B Service, but within the same LATA, the customer will be given an option on how the transport will be rated. In this instance, the customer may opt to have the transport rated as Switched Transport from the wire center serving the existing CDL to the end office(s) originating or terminating the traffic, in 4.2.3(A)(1), or choose to have that portion of transport between the wire center serving the existing CDL and the selected first point of switching rated as Special Transport. By selecting the Special Transport option, the customer has established a new CDL for Switched Access rating purposes in the selected Access Area

(C)
|
(C)

(M)

(M) Material omitted from this page now appears on Page 70.1

ISSUED: May 1, 2013

EFFECTIVE: July 2, 2013

Gary Kepley
Director - Regulatory Operations
Overland Park, Kansas

FILED
Missouri Public
Service Commission
JI-2013-0493

CANCELLED - Missouri Public Service Commission - 02/16/2023 - TN-2023-0237 - YI-2023-0144

FACILITIES FOR INTRASTATE ACCESS

4. SWITCHED ACCESS

4.1 General

Switched Access provides two-point communications paths between the point of termination at a CDL and the points of termination at Telephone Company end user premises within the Access Area. Each path is established through the use of Switched Transport, (Entrance Facilities, Direct-Trunked Transport and/or Tandem Switched Transport) End Office Services, and Common Lines or Special Access Lines. Switched Access provides for the ability to originate calls from an end user's premises to the CDL and to terminate calls from the CDL to an end user's premises. Specific descriptions of Switched Access are in 4.2.

(C)
(C)

Switched Access services, when used to provide Tandem Switch Signaling (TSS) may be connected to a customer's access tandem via Switched Transport Access services. TSS is available only with FGD, and BSA-D Switched Access, 500 SAC Access and 900 SAC Access services provided from equal access end offices. TSS is provided in multifrequency (MF) address signaling format from equal access end offices. TSS is also provided in SS7 Out of Band signaling format at suitably equipped (Service Switching Point) end offices. TSS is not available from end offices that use alternate technologies to provide equal access capabilities, nor from Telephone Company access tandems.

(N)
|
(N)

Switched Access is ordered in either quantities of lines, trunks or in Busy Hour Minutes of Capacity (BHMC). FGA and BSA-A is furnished on a per-line basis, and FGB, FGC, FGD, BSA-B, BSA-C, BSA-D and SAC Access Service are furnished on a per-trunk basis in accordance with the capacity ordered in trunks or BHMC.

Quantities of lines, trunks or total BHMC of the circuit group connecting the first point of switching and the CDL are determined at the Telephone Company's first point of switching.

A customer may designate one or more CDLs within the LATA for FGA, FGB, FGC, FGD, BSA-A, BSA-B, BSA-C, BSA-D Switched Access or SAC Access Service, except that in the case of 800 SAC Access Service, customers may request connections only to suitably equipped end offices and access tandem offices as discussed in 3.1.1(D).

The following option will not be applicable to FGC, FGD, BSA-C and BSA-D. When the first point of switching and the CDL are in the same Wire Center Area, transport for FGA, FGB, BSA-A or BSA-B Switched Access Service is rated as in Section 4.2.3. When the Telephone Company's first point of switching and the CDL are served by different Wire Center Areas for FGA, FGB, BSA-A or BSA-B Service, but within the same LATA, the customer will be given an option on how the transport will be rated. In this instance, the customer may opt to have the transport rated as Switched Transport from the wire center serving the existing CDL to the end office(s) originating or terminating the traffic, in 4.2.3(A)(1), or choose to have that portion of the transport between the wire center serving the existing CDL and the selected first point of switching rated as Special Transport. By selecting the Special Transport option, the customer has established a new CDL for Switched Access rating purposes in the selected Access Area. That Transport between the wire center serving the existing CDL and the new CDL is rated as Special Transport, in 5.1.1(B), and Switched Access rates will be applicable from the wire center serving the new CDL to each end office originating or terminating traffic within the selected FGA, FGB, BSA-A or BSA-B Access Area. A Special Access Line charge is also applicable where the customer chooses the Special Transport option as in 5.1.1(C). Switched Transport and Special Transport shall not be combined within the same hunt group arrangement. When the customer requests to change for rating purposes from one type of transport to another (e.g., Special to Switched), the Subsequent Ordering Charge - Switched Access, in 4.6.1(B) or the Subsequent Ordering Charge - Special Access in 5.6.1(D)(1) (b) will apply. The charge for the change depends on the type of transport option being selected by the customer.

When Switched Access is ordered in BHMC, the BHMC must be differentiated by Feature Group type and directionality of traffic as in 4.3.2 in order for the Telephone Company to properly design Switched Access to meet the traffic carrying capacity requirements of the customer.

When a customer plans to use Switched Access in connection with the resale of services of an IC, the provisions for such Switched Access charges are in Section 12.

Switched Access is provided with basic testing as described in 4.2.1, 4.2.2, and 4.2.7. Additional testing is provided as described in 6.6. Testing is provided only on the FIA supplied by the Telephone Company.

ISSUED: May 1, 2012

EFFECTIVE: July 3, 2012

Gary Kepley
Director - Regulatory Operations
Overland Park, Kansas

FILED
Missouri Public
Service Commission
TT-2012-0317, YI-2012-0633

CANCELLED
July 2, 2013
Missouri Public
Service Commission
JI-2013-0493

FACILITIES FOR INTRASTATE ACCESS

REC'D JUL 15 2002

4. SWITCHED ACCESS

Service Commission

4.1 General

Switched Access provides two-point communications paths between the point of termination at a CDL and the points of termination at Telephone Company end user premises within the Access Area. Each path is established through the use of Switched Transport, End Office Services, and Common Lines or Special Access Lines. Switched Access provides for the ability to originate calls from an end user's premises to the CDL and to terminate calls from the CDL to an end user's premises. Specific descriptions of Switched Access are in 4.2.

Switched Access is ordered in either quantities of lines, trunks or in Busy Hour Minutes of Capacity (BHMC). FGA and BSA-A is furnished on a per-line basis, and FGB, FGC, FGD, BSA-B, BSA-C, BSA-D and SAC Access Service are furnished on a per-trunk basis in accordance with the capacity ordered in trunks or BHMC.

Quantities of lines, trunks or total BHMC of the circuit group connecting the first point of switching and the CDL are determined at the Telephone Company's first point of switching.

A customer may designate one or more CDLs within the LATA for FGA, FGB, FGC, FGD, BSA-A, BSA-B, BSA-C, BSA-D Switched Access or SAC Access Service, except that in the case of 800 SAC Access Service, customers may request connections only to suitably equipped end offices and access tandem offices as discussed in 3.1.1(D).

The following option will not be applicable to FGC, FGD, BSA-C and BSA-D. When the first point of switching and the CDL are in the same Wire Center Area, transport for FGA, FGB, BSA-A or BSA-B Switched Access Service is rated as in Section 4.2.3. When the Telephone Company's first point of switching and the CDL are served by different Wire Center Areas for FGA, FGB, BSA-A or BSA-B Service, but within the same LATA, the customer will be given an option on how the transport will be rated. In this instance, the customer may opt to have the transport rated as Switched Transport from the wire center serving the existing CDL to the end office(s) originating or terminating the traffic, in 4.2.3(A)(1), or choose to have that portion of the transport between the wire center serving the existing CDL and the selected first point of switching rated as Special Transport. By selecting the Special Transport option, the customer has established a new CDL for Switched Access rating purposes in the selected Access Area. That Transport between the wire center serving the existing CDL and the new CDL is rated as Special Transport, in 5.1.1(B), and Switched Access rates will be applicable from the wire center serving the new CDL to each end office originating or terminating traffic within the selected FGA, FGB, BSA-A or BSA-B Access Area. A Special Access Line charge is also applicable where the customer chooses the Special Transport option as in 5.1.1(C). Switched Transport and Special Transport shall not be combined within the same hunt group arrangement. When the customer requests to change for rating purposes from one type of transport to another (e.g., Special to Switched), the Subsequent Ordering Charge - Switched Access, in 4.6.1(B) or the Subsequent Ordering Charge - Special Access in 5.6.1(D)(1) (b) will apply. The charge for the change depends on the type of transport option being selected by the customer.

When Switched Access is ordered in BHMC, the BHMC must be differentiated by Feature Group type and directionality of traffic as in 4.3.2 in order for the Telephone Company to properly design Switched Access to meet the traffic carrying capacity requirements of the customer.

When a customer plans to use Switched Access in connection with the resale of services of an IC, the provisions for such Switched Access charges are in Section 12.

Switched Access is provided with basic testing as described in 4.2.1, 4.2.2, and 4.2.7. Additional testing is provided as described in 6.6. Testing is provided only on the FIA supplied by the Telephone Company.

Issued: July 18, 2002

CANCELED
July 2, 2013
Missouri Public
Service Commission
JI-2013-0493

Jeffrey Glover
Vice President External Relations
Monroe, Louisiana

Missouri Public
Effective: September 1, 2002

FILED SEP 01 2002
TM 02-02-232
Service Commission

FACILITIES FOR INTRASTATE ACCESS

4. SWITCHED ACCESS

4.1 General (Cont'd)

That Transport between the wire center serving the existing CDL and the new CDL is rated as Special Transport, in 5.1.1(B), and Switched Access rates will be applicable from the wire center serving the new CDL to each end office originating or terminating traffic within the selected FGA, FGB, BSA-A or BSA-B Access Area.

(M)

A Special Access Line charge is also applicable where the customer chooses the Special Transport option as in 5.1.1(C). Switched Transport and Special Transport shall not be combined within the same hunt group arrangement. When the customer requests to change for rating purposes from one type of transport to another (e.g., Special to Switched), the Subsequent Ordering Charge - Switched Access, in 4.6.1(B) or the Subsequent Ordering Charge - Special Access in 5.6.1(D)(1) (b) will apply. The charge for the change depends on the type of transport option being selected by the customer.

When Switched Access is ordered in BHMC, the BHMC must be differentiated by Feature Group type and directionality of traffic as in 4.3.2 in order for the Telephone Company to properly design Switched Access to meet the traffic carrying capacity requirements of the customer.

When a customer plans to use Switched Access in connection with the resale of services of an IC, the provisions for such Switched Access charges are in Section 12.

(M)

Switched Access is provided with basic testing as described in 4.2.1, 4.2.2, and 4.2.7. Additional testing is provided as described in 6.6. Testing is provided only on the FIA supplied by the Telephone Company.

Switched Access Service purchased from the provisions of this tariff may be commingled with unbundled network elements, where available, or unbundled network element combinations, where available, purchased pursuant to the Commission's Part 51 Interconnection Rules and in compliance with the Federal Communications Commission's Report and Order and Order on Remand and Further Notice of Proposed Rulemaking in CC Docket Nos. 01-338, 96-98 and 98-147, adopted February 20, 2003 and released August 21, 2003 (FCC 03-36). Unbundled elements and commingling are not available in designated rural CenturyLink Operating Companies where a 251 (f) exemption is in effect.

(N)

A customer may designate one or more CDLs within the LATA for FGA, FGB, FGC, FGD, BSA-A, BSA-B, BSA-C, BSA-D Switched Access or SAC Access Service.

(N)

(M) This material previously appeared on Page 70.

ISSUED: May 1, 2013

EFFECTIVE: July 2, 2013

Gary Kepy
Director - Regulatory Operations
Overland Park, Kansas

FILED
Missouri Public
Service Commission
JI-2013-0493

CANCELLED - Missouri Public Service Commission - 02/16/2023 - TN-2023-0237 - YI-2023-0144

FACILITIES FOR INTRASTATE ACCESS

Missouri Public

REC'D JUL 15 2002

4. SWITCHED ACCESS (Cont'd)

Service Commission

4.1 General (Cont'd)

Shared use between Switched Access and Special Access over high capacity facilities is described in 5.6.7.

Switched Access may be ordered by the customer for mixed intrastate and interstate communications as in 4.3.2 and 4.3.3.

4.2 Description of Switched Access

Switched Access is provided in conjunction with either of two types of access services, bundled Feature Groups or unbundled Basic Serving Arrangements (BSAs). BSAs, described in 4.2.2, are provided in two basic categories differentiated by their technical characteristics and how they connect, line side or trunk side connection, to the Telephone Company's first point of switching. The trunk side BSA is further differentiated into three alternatives based upon how the end user accesses the trunk side BSA, with or without an access code. Feature Group A (FGA) and Basic Serving Arrangement A (BSA-A) are defined as line side connections to the Telephone Company's network. Feature Group B (FGB), Feature Group C (FGC), Feature Group D (FGD), Basic Serving Arrangement Alternative B (BSA-B), Basic Serving Arrangement Alternative C (BSA-C), and Basic Serving Arrangement Alternative D (BSA-D) are defined as trunk side connections to the Telephone Company's network. The use of a line side or trunk side switched access connection is dependent upon the switched access arrangement ordered by the customer. Feature Groups and BSAs are arranged for either originating, terminating, or two-way calling, based on the end office switching capacity ordered. Originating calling permits the delivery of calls from Telephone Company exchange service locations to the customer's premises. Terminating calling permits the delivery of calls from the customer's premises to Telephone Company exchange service locations. Two-Way calling permits the delivery of calls in both directions, but not simultaneously.

Switched Access will be provided as both Feature Groups and BSAs to Telephone Company end offices either directly routed or routed via an access tandem, except as set forth following:

- Feature Group and BSA trunk side equivalents (FGB and BSA-B, FGC and BSA-C, and FGD and BSA-D) may not be provided for the same Carrier Identification Code (CIC) and/or Billing Account Number (BAN) at Telephone Company end offices which subtend the same tandem. When a Telephone Company end office subtends multiple tandems, Feature Group and BSA trunk side equivalents may not be provided for the same CIC and/or BAN at any Telephone Company end office which subtends either tandem.
- Feature Group and BSA line side equivalents (FGA and BSA-A) may not be mixed in the same multiline hunt group.

4.2.1 Descriptions of Feature Groups

The Telephone Company, under the ordering provisions in Section 3, at rates and charges as specified in 4.6, will provide Switched Access as follows:

(A) Feature Group A

Feature Group A (FGA), which is available to all customers, provides line-side access to Telephone Company end office switches with an end user access code of NXX-XXXX for the customer's use in originating and terminating communications. FGA is available as Message Telecommunications Service-type or Wide Area Telecommunications Service-type (MTS/WATS-type) access or as Foreign Central Office/Off Network Access Line (FCO/ONAL) open end access, for customer provided intrastate communications capability or connection to an interexchange intrastate service.

Missouri Public

Issued: July 18, 2002

Jeffrey Glover
Vice President External Relations
Monroe, Louisiana

Effective: September 1, 2002

FILED SEP 01 2002

TM 02-232
Service Commission

CANCELLED - Missouri Public Service Commission - 02/16/2023 - TN-2023-0237 - YI-2023-0144

FACILITIES FOR INTRASTATE ACCESS

Missouri Public

REC'D JUL 15 2002

4. SWITCHED ACCESS (Cont'd)

Service Commission

4.2 Description of Switched Access (Cont'd)

4.2.1 Descriptions of Feature Groups (Cont'd)

(A) Feature Group A (Cont'd)

- (1) FGA is provided at all Telephone Company end office switches and switches customer communications to and from Common Lines, or Special Access Lines, as in 4.2.1(A).

FGA utilizes a two-point electrical communications path between the Interface Arrangement and the Common Line or Special Access Line which is a voice grade transmission path comprised of any form or configuration of plant capable of, and typically used in the telecommunications industry for, the transmission of the human voice and associated telephone signals within the frequency bandwidth of approximately 300 to 3000 Hz.

- (2) FGA is provided as line-side switching through end office switch line equipment. Line-side switching may, at the option of the customer, be provided with ground start supervisory signaling or loop start supervisory signaling.
- (3) The customer shall select the first point of switching, within the selected FGA Access Area.
- (4) FGA is arranged for originating calling only, terminating calling only or two-way calling. The Telephone Company will determine the type of calling to be provided unless the customer requests the option, Customer Specification of Switched Access Directionality as described in 4.2.5(H). For such specification, additional charges on an Individual Case Basis will apply if the calling arrangements are different than that the Telephone Company would have provided without such special arrangements. Originating calling permits the origination of calls from the end user to the CDL. Terminating calling permits the termination of calls from the CDL to the end user. Two-way calling permits either the origination or termination of calls, but not simultaneously.

Issued: July 18, 2002

Jeffrey Glover
Vice President External Relations
Monroe, Louisiana

Missouri Public
Effective: September 1, 2002

FILED SEP 01 2002
TM 02-232
Service Commission

CANCELLED - Missouri Public Service Commission - 02/16/2023 - TN-2023-0237 - YI-2023-0144

FACILITIES FOR INTRASTATE ACCESS

Missouri Public

4. SWITCHED ACCESS (Cont'd)

REC'D JUL 15 2002

4.2 Description of Switched Access (Cont'd)

Service Commission

4.2.1 Descriptions of Feature Groups (Cont'd)

(A) Feature Group A (Cont'd)

- (5) FGA, when being used in the terminating direction, is arranged with dial tone start-dial signaling and dial pulse address signaling. FGA, when being used in the terminating direction, may, at the option of the customer, be arranged for Dual Tone Multifrequency (DTMF) address signaling, subject to availability of equipment in the end office from which FGA is provided. When FGA is provided in a Hunt Group Arrangement or Uniform Call Distribution Arrangement, all FGA will be arranged for the same type of signaling.

No address signaling is provided by the Telephone Company when FGA is used in the originating direction. Address signaling in such cases, if required by the customer, must be provided by the end user using inband tone signaling techniques. Such inband tone address signals will be subject to the ordinary transmission capabilities of the Switched Transport provided.

- (6) FGA, when used in the terminating direction, may be used to access valid NXXs in the FGA Access Area. For FGA, the Access Area is defined as the local calling area of the end office switch from which the FGA is provided. The description of any specific FGA Access Area will be provided to the customer upon request. Access is also provided for Extended FGA terminating calls established on a 1+ basis (i.e., toll) outside the specific FGA Access Area (i.e., local calling area) however inside the LATA. When a FGA customer chooses to terminate toll calls outside the LATA via an Interexchange Carrier's Service (i.e., no screening or blocking performed by customer), the rates and charges in 4.5.2(N)(3)(b) apply. The Telephone Company may, at the customer's request, and depending on the technical capabilities, screen and block such interLATA calls. Access is also provided to local operator service (0- and 0+), directory assistance (411 and 555-1212), emergency reporting service (911), local telephone repair (611), information services (e.g., time and temperature) and IC services (by dialing the appropriate digits). The customer will be billed for an operator surcharge as in the Telephone Company General and/or Local Tariffs, for local operator assistance (0-) calls; certain community information service calls; directory assistance (411 and 555-1212) calls; and customer call charges in accordance with other IC tariffs in force when the Telephone Company performs the billing for such customer calls.

Issued: July 18, 2002

Jeffrey Glover
Vice President External Relations
Monroe, Louisiana

Missouri Public
Effective: September 1, 2002

FILED SEP 01 2002
TM 02-232
Service Commission

CANCELLED - Missouri Public Service Commission - 02/16/2023 - TN-2023-0237 - YI-2023-0144

FACILITIES FOR INTRASTATE ACCESS

Missouri Public

4. SWITCHED ACCESS (Cont'd)

REC'D JUL 15 2002

4.2 Description of Switched Access (Cont'd)

Service Commission

4.2.1 Descriptions of Feature Groups (Cont'd)

(A) Feature Group A (Cont'd)

(6) Cont'd

Access to these services may, at the option of the customer, be blocked when the Call Denial on Line or Hunt Group three digit or six digit dial code screening arrangements are provided, subject to the availability of the equipment in the end office from which FGA is provided. Call Denial on Line or Hunt Group is an arrangement which will screen terminating calls except calls to 411, 511, 911, 800, 555-1212, and a set of NXXs selected by the customer, in cooperation with the Telephone Company for each end office switch and route all other calls to reorder tone or recorded announcement.

Three digit dial code screening is an arrangement which will screen terminating calls and allow completion of calls to one or more specific NXXs (or all NXXs) within the Home NPA, or calls to one, two, or three digit service codes (e.g., 0, 411) and route all others to reorder tone or recorded announcement.

Six digit dial code screening is an arrangement which will screen Access Area terminating calls and allow completion of calls to selected NXXs within foreign NPAs and route all other calls in the foreign NPA to reorder tone or recorded announcement.

(7) (Reserved for Future Use)

(8) FGA is provided on a single line basis. FGA may, at the option of the customer, be provided in a Hunt Group Arrangement or a Uniform Call Distribution Arrangement. When FGA is provided with these arrangements, the FGA may also, at the option of the customer, be provided with a Nonhunting Number Arrangement. The Uniform Call Distribution Arrangement and the Nonhunting Number Arrangement are only available from certain Telephone Company end office switches. All FGA in a Hunt Group Arrangement or Uniform Call Distribution Arrangement with the Nonhunting Number Arrangement will be similarly arranged.

Missouri Public

Issued: July 18, 2002

Jeffrey Glover
Vice President External Relations
Monroe, Louisiana

Effective: September 1, 2002
FILED SEP 01 2002

TM 02-232
Service Commission

CANCELLED - Missouri Public Service Commission - 02/16/2023 - TN-2023-0237 - YI-2023-0144

FACILITIES FOR INTRASTATE ACCESS

Missouri Public

4. SWITCHED ACCESS (Cont'd)

REC'D JUL 15 2002

4.2 Description of Switched Access (Cont'd)

Service Commission

4.2.1 Descriptions of Feature Groups (Cont'd)

(A) Feature Group A (Cont'd)

(9) A seven digit telephone number assigned by the Telephone Company is provided for access to FGA in the originating direction. The seven digit local telephone number will be associated with the selected end office switch and is of the form NXX-XXXX. If the customer requests a specific seven digit telephone number that is not currently assigned and the Telephone Company can, with reasonable effort, comply with that request, the requested number will be assigned to the customer.

(10) FGA is provided with basic testing at no additional charge. Basic tests include: loss, 3 tone slope, (C-message and C-notched), dc continuity and when applicable operational signaling.

(a) Where Telephone Company equipment is available a seven digit access number will be provided to the customer for testing in the terminating direction. These access numbers shall include: balance (100 type) test line, and milliwatt (102 type) test line.

Additional testing will apply as in 6.6 when: (a) the customer requests a test not specified in the preceding; (b) the test requested is not essential to the ongoing maintenance of FGA; or (c) the customer requests testing on a more frequent basis than scheduled for in the Telephone Company's Central Office Maintenance Planning System (COMPS). The Telephone Company will routinely perform maintenance testing from the dial tone end office to the customer's first point of switching.

(11) (Reserved for Future Use)

(12) When all FGA for an individual customer (a single line or entire hunt group) is discontinued at an end office, a regular number intercept announcement is provided. This arrangement provides, for a limited period of time, an announcement that the service associated with the number dialed has been disconnected.

(13) FGA is provided with either Type B or Type C transmission performance. The parameters associated with these performances are guaranteed to the first point of switching. Type C transmission performance is provided with Interface Arrangement 1 and Type B is provided with Interface Arrangements 2 through 10. In addition, Data Transmission Parameters may, at the option of the customer, be provided with FGA.

Missouri Public

Issued: July 18, 2002

Effective: September 1, 2002

Jeffrey Glover
Vice President External Relations
Monroe, Louisiana

FILED SEP 01 2002

TM 02-232
Service Commission

CANCELLED - Missouri Public Service Commission - 02/16/2023 - TN-2023-0237 - YI-2023-0144

FACILITIES FOR INTRASTATE ACCESS

Missouri Public

4. SWITCHED ACCESS (Cont'd)

REC'D JUL 15 2002

4.2 Description of Switched Access (Cont'd)

Service Commission

4.2.1 Descriptions of Feature Groups (Cont'd)

(B) Feature Group B

Feature Group B (FGB), which is available to all customers, provides trunk-side access to Telephone Company end office switches with an associated uniform 950-XXXX access code for originating and terminating communications for customer provided intrastate communications capability or connection to an interexchange intrastate service.

- (1) FGB, when provided without the use of a Telephone Company access tandem switch (in a directly routed arrangement), is provided at all Telephone Company appropriately equipped electronic end office switches. When provided via Telephone Company appropriately equipped electronic access tandem switches, FGB End Office Services are provided at all Telephone Company subtending end office switches in the terminating direction and at appropriately equipped end offices in the originating direction utilizing the end user access code of 950-XXXX. For those subtending end offices that are not appropriately equipped, access in the originating direction is available by the end user access code of 1+950-XXXX.

FGB utilizes a two-point electrical communications path between the Interface Arrangement and Common Line or a Special Access Line, as in 4.2.1(B), which is a voice grade transmission path comprised of any form or configuration of plant capable of, and typically used in the telecommunications industry for, the transmission of the human voice and associated telephone signals within the frequency bandwidth of approximately 300 to 3000 Hz.

- (2) FGB is provided as trunk-side switching through the use of end office switch trunk equipment. The switch trunk equipment is provided with wink start pulsing and answer and disconnect supervisory signaling.
- (3) The Telephone Company will select the trunking arrangement from the end office, within the selected Access Area from which FGB is to be provided. If the customer orders an Automatic Number Identification (ANI) Arrangement or Rotary Dial Station Signaling, where available, special routing and trunking arrangements may be required.

Missouri Public

Issued: July 18, 2002

Effective: September 1, 2002

Jeffrey Glover
Vice President External Relations
Monroe, Louisiana

FILED SEP 01 2002

TM 02-232
Service Commission

CANCELLED - Missouri Public Service Commission - 02/16/2023 - TN-2023-0237 - YI-2023-0144

FACILITIES FOR INTRASTATE ACCESS

Missouri Public

REC'D JUL 15 2002

4. SWITCHED ACCESS (Cont'd)

Service Commission

4.2 Description of Switched Access (Cont'd)

4.2.1 Descriptions of Feature Groups (Cont'd)

(B) Feature Group B (Cont'd)

- (4) FGB is arranged for either originating, terminating, or two-way calling based on the trunks or BHMC ordered. The Telephone Company will determine the type of directional calling to be provided unless the customer requests the option, Customer Specification of Switched Access Directionality as described in 4.2.5(H). For such specification, additional charges on an Individual Case Basis will apply if the calling arrangements are different from that the Telephone Company would have provided without such special arrangements. Originating calling permits the origination of calls from the end user to the CDL. Terminating calling permits the termination of calls from the CDL to the end user. Two-way calling permits either the origination or termination of calls, but not simultaneously.
- (5) FGB, when being used in the terminating and originating direction, is provided with multifrequency address signaling. At the option of the customer, up to 7 Digits Outpulsing of Access Digits to the customer will be provided in the originating direction by the Telephone Company equipment to the CDL where the FGB terminates. Except for FGB provided with the ANI arrangement or Rotary Dial Station Signaling as in 4.2.5(M), any other address signaling in the originating direction, if required by the customer, must be provided by the end user using inband tone signaling techniques. Such inband tone address signals will not be regenerated by the Telephone Company and will be subject to the ordinary transmission capabilities of the Switched Transport provided.

Missouri Public

Issued: July 18, 2002

Jeffrey Glover
Vice President External Relations
Monroe, Louisiana

Effective: September 1, 2002

FILED SEP 01 2002

JM-02-232
Service Commission

CANCELLED - Missouri Public Service Commission - 02/16/2023 - TN-2023-0237 - Y1-2023-0144

FACILITIES FOR INTRASTATE ACCESS

Missouri Public

REC'D JUL 15 2002

4. SWITCHED ACCESS (Cont'd)

Service Commission

4.2 Description of Switched Access (Cont'd)

4.2.1 Description of Feature Groups (Cont'd)

(B) Feature Group B (Cont'd)

- (6) FGB, when being used in the terminating direction, may be used to access valid NXXs in the FGB Access Area. If the FGB connection is made directly to an end office the Access Area is that of that end office only. If the FGB connection is made to an access tandem the Access Area is that of all end offices subtending that access tandem. The description of any FGB Access Area will be provided to the customer upon request. Access is also available to information services (e.g., time and temperature) and IC services by dialing the appropriate digits and other services when those services can be reached using valid NXX codes. Premium End Office Switching - Bundled (EOSB) rates in 4.5.2(N)(5) and 4.6.3(C) apply to all FGB usage originating or terminating at an equal access end office. When a provider of MTS and WATS subscribes to FGB and FGC at an end office, FGC usage and FGB terminating usage will be subject to premium EOSB rates and FGB originating usage will be subject to nonpremium EOSB rates.
- (7) A separate trunk group will be established based on the directionality (i.e., originating only, terminating only, or two-way traffic) of the FGB arrangement provided.
- (8) The access code for FGB is a uniform access code in the form of 950-XXXX. For end offices not appropriately equipped an IC may instruct their end users to access the FGB by dialing 1+950-XXXX.

Missouri Public

Issued: July 18, 2002

Jeffrey Glover
Vice President External Relations
Monroe, Louisiana

Effective: September 1, 2002
FILED SEP 01 2002

TM 02-02-232
Service Commission

CANCELLED - Missouri Public Service Commission - 02/16/2023 - TN-2023-0237 - YI-2023-0144

FACILITIES FOR INTRASTATE ACCESS

Missouri Public

REC'D JUL 15 2002

4. SWITCHED ACCESS (Cont'd)

Service Commission

4.2 Description of Switched Access (Cont'd)

4.2.1 Descriptions of Feature Groups (Cont'd)

(B) Feature Group B (Cont'd)

- (9) FGB may, at the option of the customer, be arranged to provide an ANI arrangement to obtain the calling station billing numbers. ANI is not available if the FGB connection is at an access tandem. The ANI arrangement provides seven digit calling station billing number information to the CDL. In those situations where no billing number is available in the end office switch, as with 4/8 party service, no seven digit number will be provided and an "operator identification" information digit will be provided.

In those cases where an ANI failure has occurred in the end office switch, no seven digit number will be provided, and an "identification failure" information digit will be provided. ANI will be available using multifrequency signaling provided by the Telephone Company.

Rotary Dial Station Signaling will be made available in certain end offices using dial repeating equipment provided by the Telephone Company. The customer must order Switched Transport arranged to pass the dial repeating signals. FGB is provided in directly routed arrangements where the ANI or Rotary Dial Station Signaling arrangements are provided.

Only calls from end users terminated on the end office switch will be provided with the ANI or Rotary Dial Station Signaling arrangements.

- (10) The Telephone Company will determine the end office ANI protocol for FGB. The Telephone Company makes no guarantee that ANI will be available at all end offices which have access to FGB.

Issued: July 18, 2002

Jeffrey Glover
Vice President External Relations
Monroe, Louisiana

Missouri Public
Effective: September 1, 2002

FILED SEP 01 2002
TMO-02-232
Service Commission

CANCELLED - Missouri Public Service Commission - 02/16/2023 - TN-2023-0237 - YI-2023-0144

FACILITIES FOR INTRASTATE ACCESS

Missouri Public

REC'D JUL 15 2002

4. SWITCHED ACCESS (Cont'd)

Service Commission

4.2 Description of Switched Access (Cont'd)

4.2.1 Descriptions of Feature Groups (Cont'd)

(B) Feature Group B (Cont'd)

(11) FGB is provided with basic testing at no additional charge. Basic tests include: loss, 3 tone slope, (C-message and C-notched noise) and where applicable, dc continuity, signaling and balance testing.

(a) Where Telephone Company equipment is available, a seven digit access number will be provided to the customer for testing in the terminating direction. These access numbers shall include: balance (100 type) test line, milliwatt (102 type) test line, data transmission (107 type) test line, loop around test line, short circuit test line and open circuit test line.

(b) Where Telephone Company equipment is available and the customer is equipped with compatible remote office test lines, FGB will be provided with automatic testing (105 type or equivalent) in the originating direction.

Additional testing charges apply as in 6.6 when: (a) the customer requests a test not specified in the preceding; (b) the test requested is not essential to the ongoing maintenance of FGB; or (c) the customer requests testing on a more frequent basis than scheduled in the Telephone Company's Central Office Maintenance Planning System (COMPS). The Telephone Company will routinely perform maintenance testing from its access tandem or end office (if direct routed) to the customer's first point of switching.

Issued: July 18, 2002

Jeffrey Glover
Vice President External Relations
Monroe, Louisiana

Effective: September 1, 2002
Missouri Public

FILED SEP 01 2002
TM 02-02-232
Service Commission

CANCELLED - Missouri Public Service Commission - 02/16/2023 - TN-2023-0237 - YI-2023-0144