

ACCESS SERVICE

5. Ordering Options for Switched and Special Access Service (Cont'd)

5.6 Access Order Standard Intervals (Cont'd)

<u>SERVICE</u>	<u>APP-DLRD</u>	<u>CDLRD-DD</u>	<u>STD INT</u>
<u>Special Access Service (Cont'd)</u>			
3. <u>Voice Grade Service</u>			
Two-Point			
1 to 6 Services	8	11	19
7 to 10 Services	ICB	ICB	ICB
Over 12 Service	ICB	ICB	ICB
Multipoint			
3 to 5 Points	13	11	24
6 to 10 Points	ICB	ICB	ICB
Over 10 Points	ICB	ICB	ICB
Facility to A Hub (For 43A Carrier)			
1 to 6 Facilities	8	11	19
7 to 10 Facilities	ICB	ICB	ICB
Over 10 Facilities	ICB	ICB	ICB
Optional Features, Add 10 Days			
4. <u>Reserved for Future Use</u>			

ISSUED:
March 30, 2007

Mark D. Harper
Director - State Regulatory
5454 W. 110th Street
Overland Park, Kansas 66211

EFFECTIVE:
April 30, 2007

CANCELLED
October 19, 2009
Missouri Public
Service Commission
TN-2010-0086; JI-2010-0159

Filed
Missouri Public
Service Commission

SPRINT MISSOURI, INC.
d/b/a SPRINT

First Revised Page 137
Cancels Original Page 137

ACCESS SERVICE

Missouri Public

5. Ordering Options for Switched and Special Access Service (Cont'd)

REC'D JUL 02 2002

5.6 Access Order Standard Intervals (Cont'd)

Service Commission

<u>SERVICE</u>	<u>APP-DLRD</u>	<u>CDLRD-DD</u>	<u>STD INT</u>
<u>Special Access Service (Cont'd)</u>			
3. <u>Voice Grade Service</u>			
Two-Point			
1 to 6 Services	8	11	19
7 to 10 Services	ICB	ICB	ICB
Over 12 Service	ICB	ICB	ICB
Multipoint			
3 to 5 Points	13	11	24
6 to 10 Points	ICB	ICB	ICB
Over 10 Points	ICB	ICB	ICB
Facility to A Hub (For 43A Carrier)			
1 to 6 Facilities	8	11	19
7 to 10 Facilities	ICB	ICB	ICB
Over 10 Facilities	ICB	ICB	ICB
Optional Features, Add 10 Days			

4. Reserved for Future Use

(D)

Missouri Public

(D)

FILED AUG 12 2002

Service Commission

ISSUED:
July 2, 2002

Richard D. Lawson
State Executive, External Affairs
319 Madison
Jefferson City, MO 65101

EFFECTIVE:

AUG 12 2002

Cancelled

April 30, 2007
Missouri Public
Service Commission

UNITED TELEPHONE COMPANY
OF MISSOURI

Original Page 137

RECEIVED

SEP 17 1992

MISSOURI
Public Service Commission

ACCESS SERVICE

5. Ordering Options for Switched and Special Access Service (Cont'd)

5.6 Access Order Standard Intervals (Cont'd)

<u>SERVICE</u>	<u>APP-DLRD</u>	<u>CDLRD-DD</u>	<u>STD INT</u>
<u>Special Access Service</u> (Cont'd)			

3. Voice Grade Service

Two-Point

1 to 6 Services	8	11	19
7 to 10 Services	ICB	ICB	ICB
Over 12 Service	ICB	ICB	ICB

Multipoint

3 to 5 Points	13	11	24
6 to 10 Points	ICB	ICB	ICB
Over 10 Points	ICB	ICB	ICB

Facility to A Hub
(For 43A Carrier)

1 to 6 Facilities	8	11	19
7 to 10 Facilities	ICB	ICB	ICB
Over 10 Facilities	ICB	ICB	ICB

Optional Features,
Add 10 Days

4. Program Audio Service

Two-Point

1 to 6 Services	8	11	19
7 to 12 Services	ICB	ICB	ICB
Over 10 Service	ICB	ICB	ICB

Multipoint

3 to 5 Points	ICB	ICB	ICB
6 to 10 Points	ICB	ICB	ICB
Over 12 Points	ICB	ICB	ICB

Optional Features,
Add 10 Days

CANCELLED

AUG 12 2002

LRS 137
Public Service Commission
MISSOURI

FILED

NOV 7 1992

ISSUED:
September 17, 1992

BY: John L. Roe
Vice President - Administration
5454 West 110th Street
Overland Park, Kansas 66211

MO. PUBLIC SERVICE COMMISSION
EFFECTIVE:
~~October 17, 1992~~
NOV 7 1992

ACCESS SERVICE

5. Ordering Options for Switched and Special Access Service (Cont'd)

5.6 Access Order Standard Intervals (Cont'd)

Special Access Service (Cont'd)

5. Reserved for Future Use

6. Reserved for Future Use

7. Reserved for Future Use

ISSUED:
March 30, 2007

Mark D. Harper
Director - State Regulatory
5454 W. 110th Street
Overland Park, Kansas 66211

EFFECTIVE:
April 30, 2007

CANCELLED
October 19, 2009
Missouri Public
Service Commission
TN-2010-0086; JI-2010-0159

Filed
Missouri Public
Service Commission

ACCESS SERVICE

RECEIVED

5. Ordering Options for Switched and Special Access Service (Cont'd)

SEP 17 1992

5.6 Access Order Standard Intervals (Cont'd)

MISSOURI
Public Service Commission

Special Access Service (Cont'd)

5. Video Service

<u>SERVICE</u>	<u>APP-DLRD</u>	<u>CDLRD-DD</u>	<u>STD INT</u>
Two-Point			
1 to 3 Services	ICB	ICB	ICB
4 to 8 Services	ICB	ICB	ICB
Over 8 Services	ICB	ICB	ICB

6. Reserved for Future Use

7. Reserved for Future Use

CANCELLED

AUG 12 2002
By LRS/38
Public Service Commission
MISSOURI

FILED

NOV 7 1992

ISSUED:
September 17, 1992

BY: John L. Roe
Vice President - Administration
5454 West 110th Street
Overland Park, Kansas 66211

MO. PUBLIC SERVICE COMM.
EFFECTIVE:
~~SEP 17 1992~~
NOV 7 1992

ACCESS SERVICE

5. Ordering Options for Switched and Special Access Service (Cont'd)

5.6 Access Order Standard Intervals (Cont'd)

	<u>SERVICE</u>	<u>APP-DLRD</u>	<u>CDLRD-DD</u>	<u>STD INT</u>
<u>Special Access Service (Cont'd)</u>				
8.	<u>Digital Data Service</u>			
	Two-Point			
	1 to 3 Services	13	11	24
	4 to 8 Services	ICB	ICB	ICB
	Over 8 Services	ICB	ICB	ICB
	Multipoint			
	3 to 5 Points	25	35	60
	6 to 10 Points	25	35	60
	Over 10 Points	25	35	60
	Optional Features, Add 10 Days			
9.	<u>High Capacity Service</u>			
	Two-Point			
	1 to 3 Services	35	25	60
	4 to 8 Services	ICB	ICB	ICB
	Over 8 Services	ICB	ICB	ICB
	Facility to A Hub (Group, Supergroup, Mastergroup)			
	1 to 3 Facilities	ICB	ICB	ICB
	4 to 8 Facilities	ICB	ICB	ICB
	Over 8 Facilities	ICB	ICB	ICB
	Optional Features, Add 10 Days			

ISSUED:
March 30, 2007

Mark D. Harper
Director - State Regulatory
5454 W. 110th Street
Overland Park, Kansas 66211

EFFECTIVE:
April 30, 2007

CANCELLED
October 19, 2009
Missouri Public
Service Commission
TN-2010-0086; JI-2010-0159

Filed
Missouri Public
Service Commission

SPRINT MISSOURI, INC.
d/b/a SPRINT

First Revised Page 139
Cancels Original Page 139

ACCESS SERVICE

5. Ordering Options for Switched and Special Access Service (Cont'd)

5.6 Access Order Standard Intervals (Cont'd)

	<u>SERVICE</u>	<u>APP-DLRD</u>	<u>CDLRD-DD</u>	<u>STD INT</u>
<u>Special Access Service</u> (Cont'd)				
8.	<u>Digital Data Service</u>			(T)
	Two-Point			
	1 to 3 Services	13,	11	24
	4 to 8 Services	ICB	ICB	ICB
	Over 8 Services	ICB	ICB	ICB
	Multipoint			
	3 to 5 Points	25	35	60
	6 to 10 Points	25	35	60
	Over 10 Points	25	35	60
	Optional Features, Add 10 Days			

9. High Capacity Service

(T)

	Two-Point			
	1 to 3 Services	35	25	60
	4 to 8 Services	ICB	ICB	ICB
	Over 8 Services	ICB	ICB	ICB
	Facility to A Hub (Group, Supergroup, Mastergroup)			
	1 to 3 Facilities	ICB	ICB	ICB
	4 to 8 Facilities	ICB	ICB	ICB
	Over 8 Facilities	ICB	ICB	ICB
	Optional Features, Add 10 Days			

(D)

ISSUED:
September 10, 1999

Richard D. Lawson
State Executive, External Affairs

EFFECTIVE:
October 15, 1999

OCT 15 1999

ACCESS SERVICE

RECEIVED

5. Ordering Options for Switched and Special Access Service (Cont'd)

SEP 17 1992

5.6 Access Order Standard Intervals (Cont'd)

MISSOURI
Public Service Commission

<u>SERVICE</u>	<u>APP-DLRD</u>	<u>CDLRD-DD</u>	<u>STD INT</u>
----------------	-----------------	-----------------	----------------

Special Access Service (Cont'd)

8. United DigilinkSM Service

Two-Point

1 to 3 Services	13	11	24
4 to 8 Services	ICB	ICB	ICB
Over 8 Services	ICB	ICB	ICB

Multipoint

3 to 5 Points	25	35	60
6 to 10 Points	25	35	60
Over 10 Points	25	35	60

Optional Features,
Add 10 Days

9. United TransLinkSM and Other High Capacity Services

Two-Point

1 to 3 Services	35	25	60
4 to 8 Services	ICB	ICB	ICB
Over 8 Services	ICB	ICB	ICB

Facility to A Hub
(Group, Supergroup,
Mastergroup)

1 to 3 Facilities	ICB	ICB	ICB
4 to 8 Facilities	ICB	ICB	ICB
Over 8 Facilities	ICB	ICB	ICB

Optional Features,
Add 10 Days

* Registered service mark of United Telecommunications, Inc.

CANCELLED

OCT 15 1992

157RS# 139
Public Service Commission
MISSOURI

NOV 7 1992

ISSUED:
September 17, 1992

BY: John L. Roe
Vice President - Administration
5454 West 110th Street
Overland Park, Kansas 66211

EFFECTIVE:

NOV 7 1992

ACCESS SERVICE

5. Ordering Options for Switched and Special Access Service (Cont'd)

5.6 Access Order Standard Intervals (Cont'd)

<u>SERVICE</u>	<u>APP-DLRD</u>	<u>CDLRD-DD</u>	<u>STD INT</u>	
<u>Special Access Service (Cont'd)</u>				(T)
10. <u>WATS Access Line Service</u>				
Two-Point				
1 to 6 Services	8	11	29	
7 to 10 Services	ICB	ICB	ICB	
Over 10 Service	ICB	ICB	ICB	
Optional Features, Add 10 Days				

ISSUED:
March 30, 2007

Mark D. Harper
Director - State Regulatory
5454 W. 110th Street
Overland Park, Kansas 66211

EFFECTIVE:
April 30, 2007

CANCELLED
October 19, 2009
Missouri Public
Service Commission
TN-2010-0086; JI-2010-0159

Filed
Missouri Public
Service Commission

UNITED TELEPHONE COMPANY
OF MISSOURI

Original Page 140

RECEIVED

SEP 17 1992

ACCESS SERVICE

5. Ordering Options for Switched and Special Access Service (Cont'd)

5.6 Access Order Standard Intervals (Cont'd)

MISSOURI
Public Service Commission

<u>SERVICE</u>	<u>APP-DLRD</u>	<u>CDLRD-DD</u>	<u>STD INT</u>
10. <u>WATS Access Line Service</u>			
Two-Point			
1 to 6 Services	8	11	29
7 to 10 Services	ICB	ICB	ICB
Over 10 Service	ICB	ICB	ICB
Optional Features, Add 10 Days			

ISSUED:
September 17, 1992

BY: John L. Roe
Vice President - Administration
5454 West 110th Street
Overland Park, Kansas 66211

EFFECTIVE:

~~September 17, 1992~~

NOV 7 ' 1992

ACCESS SERVICE

5. Ordering Options for Switched and Special Access Service (Cont'd)

5.6 Access Order Standard Intervals (Cont'd)

	<u>SERVICE</u>	<u>APP-DLRD</u>	<u>CDLRD-DD</u>	<u>STD INT</u>	
	<u>Switched Access Service</u>				(T)
1.	<u>Feature Group A</u>				
	1 to 3 Lines	8	11	19	
	4 to 10 Lines	ICB	ICB	ICB	
	Over 10 Lines	ICB	ICB	ICB	
	Optional Features, Add 5 Days				
2.	<u>Feature Group B</u>				
	1 to 3 Trunks	38	22	60	
	4 to 7 Trunks	ICB	ICB	ICB	
	Over 7 Trunks	ICB	ICB	ICB	
	Optional Features, Add 5 Days				

ISSUED:
March 30, 2007

Mark D. Harper
Director - State Regulatory
5454 W. 110th Street
Overland Park, Kansas 66211

EFFECTIVE:
April 30, 2007

CANCELLED
October 19, 2009
Missouri Public
Service Commission
TN-2010-0086; JI-2010-0159

Filed
Missouri Public
Service Commission

SPRINT MISSOURI, INC.
d/b/a SPRINT

First Revised Page 141
Cancels Original Page 141

Missouri Public

ACCESS SERVICE

REC'D JAN 07 2002

5. Ordering Options for Switched and Special Access Service (Cont'd)

5.6 Access Order Standard Intervals (Cont'd)

Service Commission

	<u>SERVICE</u>	<u>APP-DLRD</u>	<u>CDLRD-DD</u>	<u>STD INT</u>
<u>Special Access Service</u>				
1.	<u>Feature Group A</u>			
	1 to 3 Lines	8	11	19
	4 to 10 Lines	ICB	ICB	ICB
	Over 10 Lines	ICB	ICB	ICB
	Optional Features, Add 5 Days			
2.	<u>Feature Group B</u>			
	1 to 3 Trunks	38	22	60
	4 to 7 Trunks	ICB	ICB	ICB
	Over 7 Trunks	ICB	ICB	ICB
	Optional Features, Add 5 Days			

(D)
|
(D)

Missouri Public

FILED FEB 07 2002

Service Commission

ISSUED:
January 7, 2002

Richard D. Lawson
State Executive, External Affairs
319 Madison
Jefferson City, MO 65101

EFFECTIVE:
February 7, 2002

UNITED TELEPHONE COMPANY
OF MISSOURI

Original Page 141

RECEIVED

SEP 17 1992

ACCESS SERVICE

5. Ordering Options for Switched and Special Access Service (Cont'd)

MISSOURI
Public Service Commission

5.6 Access Order Standard Intervals (Cont'd)

<u>SERVICE</u>	<u>APP-DLRD</u>	<u>CDLRD-DD</u>	<u>STD INT</u>
<u>Special Access Service</u>			
1. <u>Feature Group A</u>			
1 to 3 Lines	8	11	19
4 to 10 Lines	ICB	ICB	ICB
Over 10 Lines	ICB	ICB	ICB
Optional Features, Add 5 Days			
2. <u>Feature Group B</u>			
1 to 3 Trunks	38	22	60
4 to 7 Trunks	ICB	ICB	ICB
Over 7 Trunks	ICB	ICB	ICB
Optional Features, Add 5 Days			
3. <u>Feature Group C</u>			
1 to 110 BHMC	22	38	60
111 to 120 BHMC	ICB	ICB	ICB
Over 120 BHMC	ICB	ICB	ICB
Optional Features, Add 5 Days			

CANCELLED

FEB 07 2002

By *JS/RP 141*
Public Service Commission
MISSOURI

FILED

NOV 7 1992

MISSOURI PUBLIC SERVICE COMMISSION

ISSUED:
September 17, 1992

BY: John L. Roe
Vice President - Administration
5454 West 110th Street
Overland Park, Kansas 66211

EFFECTIVE:
~~October 27, 1992~~
NOV 7 1992

ACCESS SERVICE

5. Ordering Options for Switched and Special Access Service (Cont'd)

5.6 Access Order Standard Interval (Cont'd)

<u>SERVICE</u>	<u>APP-DLRD</u>	<u>CDLRD-DD</u>	<u>STD INT</u>
<u>Switched Access Service (Cont'd)</u>			
3. <u>Feature Group C & D</u>			
1 to 3 Trunks	38	22	60
4 to 10 Trunks	ICB	ICB	ICB
Over 10 Trunks	ICB	ICB	ICB
With New High Capacity Interface Group (6 and 9) Add 20 Days			
Optional Features, Add 10 Days			

ISSUED:
March 30, 2007

Mark D. Harper
Director - State Regulatory
5454 W. 110th Street
Overland Park, Kansas 66211

EFFECTIVE:
April 30, 2007

CANCELLED
October 19, 2009
Missouri Public
Service Commission
TN-2010-0086; JI-2010-0159

Filed
Missouri Public
Service Commission

SPRINT MISSOURI, INC.
d/b/a SPRINT

Second Revised Page 142
Cancels First Revised Page 142

Missouri Public

ACCESS SERVICE

REC'D JAN 07 2002

5. Ordering Options for Switched and Special Access Service (Cont'd)

5.6 Access Order Standard Interval (Cont'd)

Service Commission

<u>SERVICE</u>	<u>APP-DLRD</u>	<u>CDLRD-DD</u>	<u>STD INT</u>
<u>Switched Access Service (Cont'd)</u>			

3. Feature Group C & D

(T)

1 to 3 Trunks	38	22	60
4 to 10 Trunks	ICB	ICB	ICB
Over 10 Trunks	ICB	ICB	ICB

(D)

(D)

With New High Capacity
Interface Group (6 and 9)
Add 20 Days

Optional Features,
Add 10 Days

(D)

(D)

Missouri Public

FILED FEB 07 2002

Service Commission

ISSUED:
January 7, 2002

Richard D. Lawson
State Executive, External Affairs
319 Madison
Jefferson City, MO 65101

EFFECTIVE:
February 7, 2002

SPRINT MISSOURI, INC.
d/b/a SPRINT

First Revised Page 142
Cancels Original Page 142

ACCESS SERVICE

5. Ordering Options for Switched and Special Access Service (Cont'd)

5.6 Access Order Standard Interval (Cont'd)

<u>SERVICE</u>	<u>APP-DLRD</u>	<u>CDLRD-DD</u>	<u>STD INT</u>
<u>Switched Access Service</u> (Cont'd)			
4. <u>Feature Group D</u>			
1 to 3 Trunks	38	22	60
4 to 10 Trunks	ICB	ICB	ICB
Over 10 Trunks	ICB	ICB	ICB
1 to 120 BHMC	ICB	ICB	ICB
121 to 150 BHMC	ICB	ICB	ICB
Over 150 BHMC	ICB	ICB	ICB

Missouri Public Service Commission

REC'D MAY 03 2000

With New High Capacity
Interface Group (6 and 9)
Add 20 Days

(C)

Optional Features,
Add 10 Days

Directory Assistance Service

1 to 15 BHMC	44	16	60
16 to 30 BHMC	ICB	ICB	ICB
Over 30 BHMC	ICB	ICB	ICB

With New High Capacity
Interface Group (6 and 9)
Add 20 Days

(C)

CANCELLED

FEB 07 2002
By 2nd RP142
Public Service Commission
MISSOURI

Missouri Public Service Commission

FILED JUN 02 2000

ISSUED:
May 3, 2000

Richard D. Lawson
State Executive, External Affairs

EFFECTIVE:
June 2, 2000

UNITED TELEPHONE COMPANY
OF MISSOURI

Original Page 142

RECEIVED

SEP 17 1992

ACCESS SERVICE

5. Ordering Options for Switched and Special Access Service (Cont'd) MISSOURI
Public Service Commission

5.6 Access Order Standard Interval (Cont'd)

<u>SERVICE</u>	<u>APP-DLRD</u>	<u>CDLRD-DD</u>	<u>STD INT</u>
<u>Switched Access Service</u> (Cont'd)			

4. Feature Group D

1 to 3 Trunks	38	22	60
4 to 10 Trunks	ICB	ICB	ICB
Over 10 Trunks	ICB	ICB	ICB
1 to 120 BHMC	ICB	ICB	ICB
121 to 150 BHMC	ICB	ICB	ICB
Over 150 BHMC	ICB	ICB	ICB

With New High Capacity
Interface Group (3-10)
Add 20 Days

Optional Features,
Add 10 Days

Directory Assistance Service

1 to 15 BHMC	44	16	60
16 to 30 BHMC	ICB	ICB	ICB
Over 30 BHMC	ICB	ICB	ICB

With New High Capacity
Interface Group (3-10)
Add 20 Days

CANCELLED

JUN 02 2000

By *15E RP 142*
Public Service Commission
MISSOURI

FILED

NOV 7 1992

MO. PUBLIC SERVICE COMMISSION

EFFECTIVE:

~~SEP 17 1992~~
NOV 7 1992

ISSUED:
September 17, 1992

BY: John L. Roe
Vice President - Administration
5454 West 110th Street
Overland Park, Kansas 66211

ACCESS SERVICE

6. Switched Access Service6.1 General

Switched Access Service, which is available to customers for their use in furnishing their services to end users, provides a two-point electrical communications path between a customer's premises and an end user's premises. It provides for the use of common terminating, switching and trunking facilities and common subscriber plant of the Telephone Company. Switched Access Service provides for the ability to originate calls from an end user's premises to a customer's premises, and to terminate calls from a customer's premises to an end user's premises in the local exchange where it is provided. Specific references to material describing the elements of Switched Access Service are provided in 6.1.1 and 6.1.3 following.

Rates and charges for Switched Access Service depend generally on its use by the customer, i.e., for MTS or WATS services, MTS-WATS equivalent services, or other services (e.g., foreign exchange service), and whether it is provided in a Telephone Company end office that is equipped to provide equal access (Feature Group D Access, described in 6.1.1(D) following). Rates and charges for Switched Access Service are set forth in 6.8 following. The application of rates for Switched Access Service is described in 6.7 following. Rates and charges for services other than Switched Access Service, e.g., a customer's interLATA and intraLATA toll message service, may also be applicable when Switched Access Service is used in conjunction with these other services. Descriptions of such applicability are provided in 6.2.1(A)(7), 6.2.1(B)(4), 6.2.2(A)(5), 6.2.2(B)(4), 6.2.3(A)(5), 6.2.4(A)(4), 6.7.10 and 6.7.12 following.

ISSUED:
March 30, 2007

Mark D. Harper
Director - State Regulatory
5454 W. 110th Street
Overland Park, Kansas 66211

EFFECTIVE:
April 30, 2007

CANCELLED
October 19, 2009
Missouri Public
Service Commission
TN-2010-0086; JI-2010-0159

Filed
Missouri Public
Service Commission

UNITED TELEPHONE COMPANY
OF MISSOURI

Original Page 143

RECEIVED

SEP 17 1992

MISSOURI
Public Service Commission

ACCESS SERVICE

6. Switched Access Service

6.1 General

Switched Access Service, which is available to customers for their use in furnishing their services to end users, provides a two-point electrical communications path between a customer's premises and an end user's premises. It provides for the use of common terminating, switching and trunking facilities and common subscriber plant of the Telephone Company. Switched Access Service provides for the ability to originate calls from an end user's premises to a customer's premises, and to terminate calls from a customer's premises to an end user's premises in the local exchange where it is provided. Specific references to material describing the elements of Switched Access Service are provided in 6.1.1 and 6.1.3 following.

Rates and charges for Switched Access Service depend generally on its use by the customer, i.e., for MTS or WATS services, MTS-WATS equivalent services, or other services (e.g., foreign exchange service), and whether it is provided in a Telephone Company end office that is equipped to provide equal access (Feature Group D Access, described in 6.1.1(D) following). Rates and charges for Switched Access Service are set forth in 6.8 following. The application of rates for Switched Access Service is described in 6.7 following. Rates and charges for services other than Switched Access Service, e.g., a customer's interLATA and intraLATA toll message service, may also be applicable when Switched Access Service is used in conjunction with these other services. Descriptions of such applicability are provided in 6.2.1(A)(7), 6.2.1(B)(4), 6.2.2(A)(5), 6.2.2(B)(4), 6.2.3(A)(5), 6.2.4(A)(4), 6.7.10 and 6.7.12 following.

ISSUED:
September 17, 1992

BY: John L. Roe
Vice President - Administration
5454 West 110th Street
Overland Park, Kansas 66211

EFFECTIVE:
~~September 17, 1992~~
NOV 7 1992

ACCESS SERVICE

6. Switched Access Service (Cont'd)

6.1 General (Cont'd)

6.1.1 Feature Group Arrangements and Manner of Provision

Switched Access Service is provided in seven service categories of standard and optional features called Feature Groups A through D, Interim 500 Access Service, TFC Access Service, and 900 Access Service. They are differentiated by their technical characteristics, e.g., line side vs. trunk side connection at the Telephone Company entry switch, and the manner in which an end user accesses them in originating calls, e.g., with or without an access code. Following is a brief description of each Feature Group arrangement.

(A) Feature Group A (FGA)

FGA Access provides line side access to Telephone Company end office switches with an associated seven digit local telephone number for the customer's use in originating and terminating communications to an Interexchange Carrier's intrastate service or a customer provided intrastate communications capability. The customer must specify the Interexchange Carrier to which the FGA service is connected, or in the alternative, specify the means by which the FGA access communications is transported to another exchange. FGA Access may also be used to terminate TFC Access Service Calls. FGA Access is not offered for use in terminating FGC and FGD originating communications. A more detailed description of FGA Access is provided in 6.2.1 following.

(B) Feature Group B (FGB)

FGB Access provides trunk side access to Telephone Company end office switches with an associated uniform 950-0XXX or 950-1XXX access code for the customer's use in originating and terminating communications to an Interexchange Carrier's intra-state service or a customer provided intrastate communications capability. The customer must specify the Interexchange Carrier to which the FGB service is connected, or in the alternative, specify the means by which the FGB access communications is transported to another exchange. FGB Access may also be used to originate TFC Access Service until such time as FGD becomes available in the end office.

ISSUED:
March 30, 2007

Mark D. Harper
Director - State Regulatory
5454 W. 110th Street
Overland Park, Kansas 66211

EFFECTIVE:
April 30, 2007

CANCELLED
October 19, 2009
Missouri Public
Service Commission
TN-2010-0086; JI-2010-0159

Filed
Missouri Public
Service Commission

RECEIVED

ACCESS SERVICE

6. Switched Access Service (Cont'd)

MAR 27 1996

6.1 General (Cont'd)

MISSOURI

6.1.1 Feature Group Arrangements and Manner of Provision of Public Service Commission

Switched Access Service is provided in seven service categories of standard and optional features called Feature Groups A through D, Interim 500 Access Service, TFC Access Service, and 900 Access Service. They are differentiated by their technical characteristics, e.g., line side vs. trunk side connection at the Telephone Company entry switch, and the manner in which an end user accesses them in originating calls, e.g., with or without an access code. Following is a brief description of each Feature Group arrangement.

(T)

(A) Feature Group A (FGA)

FGA Access provides line side access to Telephone Company end office switches with an associated seven digit local telephone number for the customer's use in originating and terminating communications to an Interexchange Carrier's intrastate service or a customer provided intrastate communications capability. The customer must specify the Interexchange Carrier to which the FGA service is connected, or in the alternative, specify the means by which the FGA access communications is transported to another exchange. FGA Access may also be used to terminate TFC Access Service Calls. FGA Access is not offered for use in terminating FGC and FGD originating communications. A more detailed description of FGA Access is provided in 6.2.1 following.

(T)

(B) Feature Group B (FGB)

FGB Access provides trunk side access to Telephone Company end office switches with an associated uniform 950-0XXX or 950-1XXX access code for the customer's use in originating and terminating communications to an Interexchange Carrier's intrastate service or a customer provided intrastate communications capability. The customer must specify the Interexchange Carrier to which the FGB service is connected, or in the alternative, specify the means by which the FGB access communications is transported to another exchange. FGB Access may also be used to originate TFC Access Service until such time as FGD becomes available in the end office.

(T)

MISSOURI

APR 29 1996

ISSUED:
March 27, 1996

BY: John L. Roe
Vice President - Carrier and Regulatory Services
5454 West 110th Street
Overland Park, Kansas 66211

EFFECTIVE:
April 29, 1996

UNITED TELEPHONE COMPANY
OF MISSOURI

First Revised Page 144
Cancels Original Page 144

ACCESS SERVICE

RECEIVED

6. Switched Access Service (Cont'd)

6.1 General (Cont'd)

FEB 11 1995

6.1.1 Feature Group Arrangements and Manner of Provision

Switched Access Service is provided in seven categories of standard and optional features called Feature Groups A through D, Interim 500 Access Service, 800 Access Service, and 900 Access Service. They are differentiated by their technical characteristics, e.g., line side vs. trunk side connection at the Telephone Company entry switch, and the manner in which an end user accesses them in originating calls, e.g., with or without an access code. Following is a brief description of each Feature Group arrangement.

MO. PUBLIC SERVICE COMM.

(C)
(N)
(N)

(A) Feature Group A (FGA)

FGA Access provides line side access to Telephone Company end office switches with an associated seven digit local telephone number for the customer's use in originating and terminating communications to an Interexchange Carrier's intrastate service or a customer provided intrastate communications capability. The customer must specify the Interexchange Carrier to which the FGA service is connected, or in the alternative, specify the means by which the FGA access communications is transported to another exchange. FGA Access may also be used to terminate 800 Access Service Calls. FGA Access is not offered for use in terminating FGC and FGD originating communications. A more detailed description of FGA Access is provided in 6.2.1 following.

(B) Feature Group B (FGB)

FGB Access provides trunk side access to Telephone Company end office switches with an associated uniform 950-0XXX or 950-1XXX access code for the customer's use in originating and terminating communications to an Interexchange Carrier's intrastate service or a customer provided intrastate communications capability. The customer must specify the Interexchange Carrier to which the FGB service is connected, or in the alternative, specify the means by which the FGB access communications is transported to another exchange. FGB Access may also be used to originate 800 Access Service until such time as FGD becomes available in the end office.

CANCELLED

FILED

APR 29 1995
By 2nd P.S. # 144
Public Service Commission
MISSOURI

FEB 11 1995

MISSOURI
Public Service Commission

ISSUED:
January 11, 1995

BY: John L. Roe
Vice President - Carrier and Regulatory Services
5454 West 110th Street
Overland Park, Kansas 66211

EFFECTIVE:
February 11, 1995

UNITED TELEPHONE COMPANY
OF MISSOURI

Original Page 144
RECEIVED

ACCESS SERVICE

SEP 17 1992

6. Switched Access Service (Cont'd)

MISSOURI
Public Service Commission

6.1 General (Cont'd)

6.1.1 Feature Group Arrangements and Manner of Provision

Switched Access Service is provided in four service categories of standard and optional features called Feature Groups. These are differentiated by their technical characteristics, e.g., line side vs. trunk side connection at the Telephone Company entry switch, and the manner in which an end user accesses them in originating calls, e.g., with or without an access code. Following is a brief description of each Feature Group arrangement.

(A) Feature Group A (FGA)

FGA Access provides line side access to Telephone Company end office switches with an associated seven digit local telephone number for the customer's use in originating and terminating communications to an Interexchange Carrier's intrastate service or a customer provided intrastate communications capability. The customer must specify the Interexchange Carrier to which the FGA service is connected, or in the alternative, specify the means by which the FGA access communications is transported to another exchange. FGA Access may also be used to terminate 800 Access Service Calls. FGA Access is not offered for use in terminating FGC and FGD originating communications. A more detailed description of FGA Access is provided in 6.2.1 following.

CANCELLED
FEB 11 1995
BY Let R.S. #144
Public Service Commission
MISSOURI

(B) Feature Group B (FGB)

FGB Access provides trunk side access to Telephone Company end office switches with an associated uniform 950-0XXX or 950-1XXX access code for the customer's use in originating and terminating communications to an Interexchange Carrier's intrastate service or a customer provided intrastate communications capability. The customer must specify the Interexchange Carrier to which the FGB service is connected, or in the alternative, specify the means by which the FGB access communications is transported to another exchange. FGB Access may also be used to originate 800 Access Service until such time as FGD becomes available in the end office.

NOV 7 1992

ISSUED:
September 17, 1992

BY: John L. Roe
Vice President - Administration
5454 West 110th Street
Overland Park, Kansas 66211

EFFECTIVE:
~~October 1, 1992~~
NOV 7 1992

ACCESS SERVICE

6. Switched Access Service (Cont'd)

6.1 General (Cont'd)

6.1.1 Feature Group Arrangements and Manner of Provision (Cont'd)

(B) Feature Group B (Cont'd)

FGB Access may also be used to terminate TFC Access service calls. A more detailed description of FGB Access is provided in 6.2.2 following.

(C) Feature Group C (FGC)

FGC Access, which is available only to providers of MTS and WATS, provides trunk side access to Telephone Company end office switches for the customer's use in originating and terminating communications. FGC Access may also be used to originate and terminate TFC Access Service. This service is available in all end offices which are not equipped for Feature Group D End Office Switching. Existing FGC Access will be converted to Feature Group D Access when it becomes available in an end office. The WATS Access Line optional feature set forth in 7.2.11 (A) may be ordered separately by a customer other than the customer which orders the FGC Switched Access Service (i.e., a provider of MTS and WATS). WATS Access Lines are ordered as set forth in 5.2 preceding. A more detailed description of FGC Access is provided in 6.2.3 following.

(D) Feature Group D (FGD)

FGD Access, which is available to all customers, provides trunk side access to Telephone Company end office switches with an associated uniform 101XXXX access code for the customer's use in originating and terminating communications. The WATS Access Line optional feature set forth in 7.2.11 (D) may be ordered separately by a customer other than the customer which orders the FGD Switched Access Service. WATS Access Lines are ordered as set forth in 5.2 preceding. A more detailed description of FGD Access is provided in 6.2.4 following.

ISSUED:
March 30, 2007

Mark D. Harper
Director - State Regulatory
5454 W. 110th Street
Overland Park, Kansas 66211

EFFECTIVE:
April 30, 2007

CANCELLED
October 19, 2009
Missouri Public
Service Commission
TN-2010-0086; JI-2010-0159

Filed
Missouri Public
Service Commission

ACCESS SERVICE

RECEIVED

6. Switched Access Service (Cont'd)

JUL 02 1998

6.1 General (Cont'd)

6.1.1 Feature Group Arrangements and Manner of Provision (Cont'd) MO. PUBLIC SERVICE COMM

(B) Feature Group B (Cont'd)

FGB Access may also be used to terminate TFC Access service calls. A more detailed description of FGB Access is provided in 6.2.2 following.

(C) Feature Group C (FGC)

FGC Access, which is available only to providers of MTS and WATS, provides trunk side access to Telephone Company end office switches for the customer's use in originating and terminating communications. FGC Access may also be used to originate and terminate TFC Access Service. This service is available in all end offices which are not equipped for Feature Group D End Office Switching. Existing FGC Access will be converted to Feature Group D Access when it becomes available in an end office. The WATS Access Line optional feature set forth in 7.2.11 (A) may be ordered separately by a customer other than the customer which orders the FGC Switched Access Service (i.e., a provider of MTS and WATS). WATS Access Lines are ordered as set forth in 5.2 preceding. A more detailed description of FGC Access is provided in 6.2.3 following.

(D) Feature Group D (FGD)

FGD Access, which is available to all customers, provides trunk side access to Telephone Company end office switches with an associated uniform 101XXXX access code for the customer's use in originating and terminating communications. The WATS Access Line optional feature set forth in 7.2.11 (D) may be ordered separately by a customer other than the customer which orders the FGD Switched Access Service. WATS Access Lines are ordered as set forth in 5.2 preceding. A more detailed description of FGD Access is provided in 6.2.4 following.

(CT)

FILED

AUG 03 1998

MISSOURI
Public Service Commission

ISSUED:
July 2, 1998

BY: Richard Lawson
State Executive, External Affairs
319 Madison
Jefferson City, MO 65101

EFFECTIVE :
August 3, 1998

RECEIVED

ACCESS SERVICE

6. Switched Access Service (Cont'd)

MAR 27 1996

6.1 General (Cont'd)

6.1.1 Feature Group Arrangements and Manner of Provision (Cont'd)
Public Service Commission

(B) Feature Group B (Cont'd)

FGB Access may also be used to terminate TFC Access service calls. A more detailed description of FGB Access is provided in 6.2.2 following. (T)

(C) Feature Group C (FGC)

FGC Access, which is available only to providers of MTS and WATS, provides trunk side access to Telephone Company end office switches for the customer's use in originating and terminating communications. FGC Access may also be used to originate and terminate TFC Access Service. This service is available in all end offices which are not equipped for Feature Group D End Office Switching. Existing FGC Access will be converted to Feature Group D Access when it becomes available in an end office. The WATS Access Line optional feature set forth in 7.2.11 (A) may be ordered separately by a customer other than the customer which orders the FGC Switched Access Service (i.e., a provider of MTS and WATS). WATS Access Lines are ordered as set forth in 5.2 preceding. A more detailed description of FGC Access is provided in 6.2.3 following. (T)

(D) Feature Group D (FGD)

FGD Access, which is available to all customers, provides trunk side access to Telephone Company end office switches with an associated uniform 10XXX or 101XXXX access code for the customer's use in originating and terminating communications. The WATS Access Line optional feature set forth in 7.2.11 (D) may be ordered separately by a customer other than the customer which orders the FGD Switched Access Service. WATS Access Lines are ordered as set forth in 5.2 preceding. A more detailed description of FGD Access is provided in 6.2.4 following.

CANCELLED

AUG 03 1998
By 3rd RS # 145
Public Service Commission
MISSOURI

FILED

APR 29 1996

MO. PUBLIC SERVICE COMM

ISSUED:
March 27, 1996

BY: John L. Roe
Vice President - Carrier and Regulatory Services
5454 West 110th Street
Overland Park, Kansas 66211

EFFECTIVE:
April 29, 1996

UNITED TELEPHONE COMPANY
OF MISSOURI

First Revised Page 145
Cancels Original Page 145

RECEIVED

ACCESS SERVICE

JUN 5 1995

6. Switched Access Service (Cont'd)

6.1 General (Cont'd)

6.1.1 Feature Group Arrangements and Manner of Provision (Cont'd)

MO. PUBLIC SERVICE COMM.

(B) Feature Group B (Cont'd)

FGB Access may also be used to terminate 800 Access service calls. A more detailed description of FGB Access is provided in 6.2.2 following.

(C) Feature Group C (FGC)

FGC Access, which is available only to providers of MTS and WATS, provides trunk side access to Telephone Company end office switches for the customer's use in originating and terminating communications. FGC Access may also be used to originate and terminate 800 Access Service. This service is available in all end offices which are not equipped for Feature Group D End Office Switching. Existing FGC Access will be converted to Feature Group D Access when it becomes available in an end office. The WATS Access Line optional feature set forth in 7.2.11 (A) may be ordered separately by a customer other than the customer which orders the FGC Switched access Service (i.e., a provider of MTS and WATS). WATS Access Lines are ordered as set forth in 5.2 preceding. A more detailed description of FGC Access is provided in 6.2.3 following.

(D) Feature Group D (FGD)

FGD Access, which is available to all customers, provides trunk side access to Telephone Company end office switches with an associated uniform 10XXX or 101XXXX access code for the customer's use in originating and terminating communications. The WATS Access Line optional feature set forth in 7.2.11 (D) may be ordered separately by a customer other than the customer which orders the FGD Switched Access Service. WATS Access Lines are ordered as set forth in 5.2 preceding. A more detailed description of FGD Access is provided in 6.2.4 following.

(C)
(C)

CANCELLED

APR 29 1995
BY *JmR.S.* #145
Public Service Commission
MISSOURI

FILED

JUL 15 1995

MISSOURI
Public Service Commission

ISSUED:
June 5, 1995

BY: John L. Roe
Vice President - Carrier and Regulatory Services
5454 West 110th Street
Overland Park, Kansas 66211

EFFECTIVE:
~~July 5, 1995~~
JUL 15 1995

UNITED TELEPHONE COMPANY
OF MISSOURI

Original Page 145

ACCESS SERVICE

RECEIVED

SEP 17 1992

6. Switched Access Service (Cont'd)

6.1 General (Cont'd)

MISSOURI
Public Service Commission

6.1.1 Feature Group Arrangements and Manner of Provision (Cont'd)

(B) Feature Group B (Cont'd)

FGB Access may also be used to terminate 800 Access service calls. A more detailed description of FGB Access is provided in 6.2.2 following.

CANCELLED

JUL 15 1995

BY *12/RS/145*
Public Service Commission
MISSOURI

(C) Feature Group C (FGC)

FGC Access, which is available only to providers of MTS and WATS, provides trunk side access to Telephone Company end office switches for the customer's use in originating and terminating communications. FGC Access may also be used to originate and terminate 800 Access Service. This service is available in all end offices which are not equipped for Feature Group D End Office Switching. Existing FGC Access will be converted to Feature Group D Access when it becomes available in an end office. The WATS Access Line optional feature set forth in 7.2.11 (A) may be ordered separately by a customer other than the customer which orders the FGC Switched access Service (i.e., a provider of MTS and WATS). WATS Access Lines are ordered as set forth in 5.2 preceding. A more detailed description of FGC Access is provided in 6.2.3 following.

(D) Feature Group D (FGD)

FGD Access, which is available to all customers, provides trunk side access to Telephone Company end office switches with an associated uniform 10XXX access code for the customer's use in originating and terminating communications. The WATS Access Line optional feature set forth in 7.2.11 (D) may be ordered separately by a customer other than the customer which orders the FGD Switched Access Service. WATS Access Lines are ordered as set forth in 5.2 preceding. A more detailed description of FGD Access is provided in 6.2.4 following.

NOV 7 1992

MO. PUBLIC SERVICE COMMISSION

EFFECTIVE:

~~September 17, 1992~~

NOV 7 1992

ISSUED:
September 17, 1992

BY: John L. Roe
Vice President - Administration
5454 West 110th Street
Overland Park, Kansas 66211

ACCESS SERVICE

6. Switched Access Service (Cont'd)

6.1 General (Cont'd)

6.1.1 Feature Group Arrangements and Manner of Provision (Cont'd)

(E) Manner of Provision

Switched Access is furnished in either quantities of lines or trunks. FGA Access is furnished on a per-line basis and FGB, FGC, FGD Access are furnished on a per trunk basis.

Trunks are differentiated by type and directionality of traffic carried over a Switched Access Service arrangement. Differentiation of traffic is necessary for the Telephone Company to properly design Switched Access Service to meet the traffic carrying capacity requirement of the customer.

There are three major traffic types. These are: Originating, Terminating and Directory Assistance. Originating traffic type represents access capacity within a LATA for carrying traffic from the end user to the customer; Terminating traffic type represents access capacity within a LATA for carrying traffic from the customer to the end user; and, Directory Assistance traffic type represents access capacity within a LATA for carrying Directory Assistance traffic from the customer to a Directory Assistance location. When ordering capacity for FGB Access, FGC Access or FGD Access, the customer must at a minimum specify such access capacity in terms of Originating traffic type and/or Terminating traffic type. Directory Assistance traffic type is used for ordering Directory Assistance Access Service and is provided as set forth in 9. following.

Because some customers will wish to further segregate their originating FGC or FGD traffic into separate trunk groups, Originating traffic type is further categorized into Domestic, Interim 500, TFC, 900, and Operator. Domestic traffic type represents access

ISSUED:
March 30, 2007

Mark D. Harper
Director - State Regulatory
5454 W. 110th Street
Overland Park, Kansas 66211

EFFECTIVE:
April 30, 2007

CANCELLED
October 19, 2009
Missouri Public
Service Commission
TN-2010-0086; JI-2010-0159

Filed
Missouri Public
Service Commission

SPRINT MISSOURI, INC.
d/b/a SPRINT

Third Revised Page 146
Cancels Second Revised Page 146

ACCESS SERVICE

Missouri Public

6. Switched Access Service (Cont'd)

REC'D JAN 07 2002

6.1 General (Cont'd)

6.1.1 Feature Group Arrangements and Manner of Provision (Cont'd) ^{Service Commission}

(E) Manner of Provision

Switched Access is furnished in either quantities of lines or **trunks**. **FGA Access is furnished on a per-line basis and FGB, FGC, FGD Access are furnished on a per trunk basis.**

(C)
|
(C)

Trunks are differentiated by type and directionality of traffic carried over a Switched Access Service arrangement. Differentiation of traffic is necessary for the Telephone Company to properly design Switched Access Service to meet the traffic carrying capacity requirement of the customer.

There are three major traffic types. These are: Originating, Terminating and Directory Assistance. Originating traffic type represents access capacity **within a LATA for** carrying traffic from the end user to the customer; Terminating traffic type represents access capacity **within a LATA for** carrying traffic from the customer to the end user; and, Directory Assistance traffic type represents access capacity **within a LATA for** carrying Directory Assistance traffic from the customer to a Directory Assistance location. When ordering capacity for FGB Access, FGC Access or FGD Access, the customer must at a minimum specify such access capacity in terms of Originating traffic type and/or Terminating traffic type. Directory Assistance traffic type is used for ordering Directory Assistance Access Service and is provided as set forth in 9. following.

(Z)
|
(Z)

Because some customers will wish to further segregate their originating FGC or FGD traffic into separate trunk groups, Originating traffic type is further categorized into Domestic, Interim 500, TFC, 900, and Operator. Domestic traffic type represents access

Missouri Public

FILED FEB 07 2002

Service Commission

ISSUED:
January 7, 2002

Richard D. Lawson
State Executive, External Affairs
319 Madison
Jefferson City, MO 65101

EFFECTIVE:
February 7, 2002

RECEIVED

ACCESS SERVICE

6. Switched Access Service (Cont'd)

MAR 27 1996

6.1 General (Cont'd)

6.1.1 Feature Group Arrangements and Manner of Provision
(Cont'd)

MISSOURI
Public Service Commission

(E) Manner of Provision

Switched Access is furnished in either quantities of lines or trunks, or in busy hour minutes of capacity (BHMCs). FGA Access and FGB Access are furnished on a per-line or per-trunk basis respectively. FGC Access and FGD Access are furnished on a BHMC basis. FGD may also be provided to customers other than AT&T on a per trunk basis as set forth in 5.2 preceding.

BHMCs and trunks are differentiated by type and directionality of traffic carried over a Switched Access Service arrangement. Differentiation of traffic is necessary for the Telephone Company to properly design Switched Access Service to meet the traffic carrying capacity requirement of the customer.

There are three major traffic types. These are: Originating, Terminating and Directory Assistance. Originating traffic type represents access capacity within an exchange for carrying traffic from the end user to the customer; Terminating traffic type represents access capacity within an exchange for carrying traffic from the customer to the end user; and, Directory Assistance traffic type represents access capacity within an exchange for carrying Directory Assistance traffic from the customer to a Directory Assistance location. When ordering capacity for FGB Access, FGC Access or FGD Access, the customer must at a minimum specify such access capacity in terms of Originating traffic type and/or Terminating traffic type. Directory Assistance traffic type is used for ordering Directory Assistance Access Service and is provided as set forth in 9. following.

Because some customers will wish to further segregate their originating FGC or FGD traffic into separate trunk groups, Originating traffic type is further categorized into Domestic, Interim 500, TFC, 900, and Operator. Domestic traffic type represents access

(T)

CANCELLED

FILED

FEB 07 2002

APR 29 1996

3rd RP 144
Public Service Commission
MISSOURI

MISSOURI PUBLIC SERVICE COMMISSION

ISSUED:
March 27, 1996

BY: John L. Roe
Vice President - Carrier and Regulatory Services
5454 West 110th Street
Overland Park, Kansas 66211

EFFECTIVE:
April 29, 1996

UNITED TELEPHONE COMPANY
OF MISSOURI

First Revised Page 146
Cancels Original Page 146

ACCESS SERVICE

RECEIVED

6. Switched Access Service (Cont'd)

6.1 General (Cont'd)

JAN 11 1995

6.1.1 Feature Group Arrangements and Manner of Provision
(Cont'd)

(E) Manner of Provision

MO. PUBLIC SERVICE COMM.

Switched Access is furnished in either quantities of lines or trunks, or in busy hour minutes of capacity (BHMCs). FGA Access and FGB Access are furnished on a per-line or per-trunk basis respectively. FGC Access and FGD Access are furnished on a BHMC basis. FGD may also be provided to customers other than AT&T on a per trunk basis as set forth in 5.2 preceding.

BHMCs and trunks are differentiated by type and directionality of traffic carried over a Switched Access Service arrangement. Differentiation of traffic is necessary for the Telephone Company to properly design Switched Access Service to meet the traffic carrying capacity requirement of the customer.

There are three major traffic types. These are: Originating, Terminating and Directory Assistance. Originating traffic type represents access capacity within an exchange for carrying traffic from the end user to the customer; Terminating traffic type represents access capacity within an exchange for carrying traffic from the customer to the end user; and, Directory Assistance traffic type represents access capacity within an exchange for carrying Directory Assistance traffic from the customer to a Directory Assistance location. When ordering capacity for FGB Access, FGC Access or FGD Access, the customer must at a minimum specify such access capacity in terms of Originating traffic type and/or Terminating traffic type. Directory Assistance traffic type is used for ordering Directory Assistance Access Service and is provided as set forth in 9. following.

Because some customers will wish to further segregate their originating FGC or FGD traffic into separate trunk groups, Originating traffic type is further categorized into Domestic, Interim 500, 800, 900, and Operator. Domestic traffic type represents access

(C)

CANCELLED

APR 29 1995
BY 2nd R.S. #146
Public Service Commission
MISSOURI

FILED

FEB 11 1995

MISSOURI
Public Service Commission

ISSUED:
January 11, 1995

BY: John L. Roe
Vice President - Carrier and Regulatory Services
5454 West 110th Street
Overland Park, Kansas 66211

EFFECTIVE:
February 11, 1995

UNITED TELEPHONE COMPANY
OF MISSOURI

Original Page 146

ACCESS SERVICE

RECEIVED

SEP 17 1992

6. Switched Access Service (Cont'd)

6.1 General (Cont'd)

MISSOURI
Public Service Commission

6.1.1 Feature Group Arrangements and Manner of Provision
(Cont'd)

(E) Manner of Provision

Switched Access is furnished in either quantities of lines or trunks, or in busy hour minutes of capacity (BHMCs). FGA Access and FGB Access are furnished on a per-line or per-trunk basis respectively. FGC Access and FGD Access are furnished on a BHMC basis. FGD may also be provided to customers other than AT&T on a per trunk basis as set forth in 5.2 preceding.

BHMCs and trunks are differentiated by type and directionality of traffic carried over a Switched Access Service arrangement. Differentiation of traffic is necessary for the Telephone Company to properly design Switched Access Service to meet the traffic carrying capacity requirement of the customer.

There are three major traffic types. These are: Originating, Terminating and Directory Assistance. Originating traffic type represents access capacity within an exchange for carrying traffic from the end user to the customer; Terminating traffic type represents access capacity within an exchange for carrying traffic from the customer to the end user; and, Directory Assistance traffic type represents access capacity within an exchange for carrying Directory Assistance traffic from the customer to a Directory Assistance location. When ordering capacity for FGB Access, FGC Access or FGD Access, the customer must at a minimum specify such access capacity in terms of Originating traffic type and/or Terminating traffic type. Directory Assistance traffic type is used for ordering Directory Assistance Access Service and is provided as set forth in 9. following.

Because some customers will wish to further segregate their originating FGC or FGD traffic into separate trunk groups, Originating traffic type is further categorized into Domestic, 800, 900, and Operator. Domestic traffic type represents access capacity for carrying only

CANCELLED
FEB 11 1995
BY *let R.S. #146*
Public Service Commission
MISSOURI

NOV 7 1992

ISSUED:
September 17, 1992

BY: John L. Roe
Vice President - Administration
5454 West 110th Street
Overland Park, Kansas 66211

NOV 7 1992
EFFECTIVE:
~~October 7, 1992~~
NOV 7 1992

ACCESS SERVICE

6. Switched Access Service (Cont'd)

6.1 General (Cont'd)

6.1.1 Feature Group Arrangements and Manner of Provision (Cont'd)

(E) Manner of Provision (Cont'd)

capacity for carrying only Domestic traffic other than Interim 500, TFC, 900 and Operator traffic; and, Interim 500, TFC, 900 and Operator traffic type represents access capacity for carrying, respectively, only Interim 500, TFC, 900 or Operator traffic. When ordering such types of access capacity, the customer must specify Domestic, Interim 500, TFC, 900 Operator traffic types.

(F) TFC Access Service

TFC Access Service is an originating service that is provided via TFC Access Service switched trunk groups, or may be provided in conjunction with FGB, FGC, or FGD. The service provides for the forwarding of end user dialed TFC calls to a Telephone Company Service Switching Point (SSP) which will initiate a query to the Telephone Company's TFC data base to perform the customer identification function. The call is forwarded to the appropriate customer based on the dialed TFC number. The customer has the option of having the TFC dialed number (i.e., TFC-NXX-XXXX) or, if the TFC to local exchange number translation optional feature is specified, a translated ten digit local exchange number (i.e., NPA-NXX-XXXX) delivered to the customer premises.

When TFC Access Service traffic is combined in the same trunk group arrangement with other traffic, usage for the TFC Access Service traffic will be aggregated with the other traffic for billing purposes. When separate trunk groups are provided for TFC Access Service, usage will be provided separately. A more detailed description of TFC Access Service is as set forth in 6.2.5(B).

(G) 900 Access Service

900 Access Service is an originating service that is provided via 900 Access Service switched trunk groups, or may be provided in conjunction with FGB, FGC, or FGD. The Service provides the customer identification function (900 NXX screening) based on the first six digits of the dialed 900 number. When a 1 + 900 + NXX + XXXX call is originated by an end user, a customer identification function determines the customer to which the call is to be routed based on the NXX dialed.

When a customer requests that the Telephone Company open a 900 NXX access code for exchanges served by the Telephone Company within a specified state, LATA or

ISSUED:
March 30, 2007

Mark D. Harper
Director - State Regulatory
5454 W. 110th Street
Overland Park, Kansas 66211

EFFECTIVE:
April 30, 2007

CANCELLED
October 19, 2009
Missouri Public
Service Commission
TN-2010-0086; JI-2010-0159

Filed
Missouri Public
Service Commission

UNITED TELEPHONE COMPANY
OF MISSOURI

~~Should be Third Revised Page 147~~
~~First Revised Page 147~~
Cancels Second Revised Page 147

RECEIVED

ACCESS SERVICE

6. Switched Access Service (Cont'd)

MAR 27 1996

6.1 General (Cont'd)

MISSOURI

6.1.1 Feature Group Arrangements and Manner of Provision (Cont'd)

Public Service Commission

(E) Manner of Provision (Cont'd)

capacity for carrying only Domestic traffic other than Interim 500, TFC, 900 and Operator traffic; and, Interim 500, TFC, 900 and Operator traffic type represents access capacity for carrying, respectively, only Interim 500, TFC, 900 or Operator traffic. When ordering such types of access capacity, the customer must specify Domestic, Interim 500, TFC, 900 Operator traffic types. (T)

(F) TFC Access Service

TFC Access Service is an originating service that is provided via TFC Access Service switched trunk groups, or may be provided in conjunction with FGB, FGC, or FGD. The service provides for the forwarding of end user dialed TFC calls to a Telephone Company Service Switching Point (SSP) which will initiate a query to the Telephone Company's TFC data base to perform the customer identification function. The call is forwarded to the appropriate customer based on the dialed TFC number. The customer has the option of having the TFC dialed number (i.e., TFC-NXX-XXXX) or, if the TFC to local exchange number translation optional feature is specified, a translated ten digit local exchange number (i.e., NPA-NXX-XXXX) delivered to the customer premises. (T)

When TFC Access Service traffic is combined in the same trunk group arrangement with other traffic, usage for the TFC Access Service traffic will be aggregated with the other traffic for billing purposes. When separate trunk groups are provided for TFC Access Service, usage will be provided separately. A more detailed description of TFC Access Service is as set forth in 6.2.5(B). (T)

(G) 900 Access Service

900 Access Service is an originating service that is provided via 900 Access Service switched trunk groups, or may be provided in conjunction with FGB, FGC, or FGD. The Service provides the customer identification function (900 NXX screening) based on the first six digits of the dialed 900 number. When a 1 + 900 + NXX + XXXX call is originated by an end user, a customer identification function determines the customer to which the call is to be routed based on the NXX dialed. (T)

When a customer requests that the Telephone Company open a 900 NXX access code for exchanges served by the Telephone Company within a specified state, LATA or (T)

APR 29 1996

ISSUED:
March 27, 1996

BY: John L. Roe
Vice President - Carrier and Regulatory Services
5454 West 110th Street
Overland Park, Kansas 66211

EFFECTIVE:
April 29, 1996

Cancelled
April 30, 2007
Missouri Public
Service Commission

ACCESS SERVICE

6. Switched Access Service (Cont'd)

RECEIVED

6.1 General (Cont'd)

6.1.1 Feature Group Arrangements and Manner of Provision (Cont'd)

FEB 11 1995

(E) Manner of Provision (Cont'd)

capacity for carrying only Domestic traffic other than Interim 500, 800, 900 and Operator traffic; and, Interim 500, 800, 900 and Operator traffic type represents access capacity for carrying, respectively, only Interim 500, 800, 900 or Operator traffic. When ordering such types of access capacity, the customer must specify Domestic, Interim 500, 800, 900 Operator traffic types.

MO. PUBLIC SERVICE COMM.

(C)
(C)
(C)
(C)

(F) 800 Access Service

800 Access Service is an originating service that is provided via 800 Access Service switched trunk groups, or may be provided in conjunction with FGB, FGC, or FGD. The service provides for the forwarding of end user dialed 800 calls to a Telephone Company Service Switching Point (SSP) which will initiate a query to the Telephone Company's 800 data base to perform the customer identification function. The call is forwarded to the appropriate customer based on the dialed 800 number. The customer has the option of having the 800 dialed number (i.e., 800-NXX-XXXX) or, if the 800 to local exchange number translation optional feature is specified, a translated ten digit local exchange number (i.e., NPA-NXX-XXXX) delivered to the customer premises.

When 800 Access Service traffic is combined in the same trunk group arrangement with other traffic usage for the 800 Access Service traffic will be aggregated with the other traffic for billing purposes. When separate trunk groups are provided for 800 Access Service, usage will be provided separately. A more detailed description of 800 Access Service is set forth in 6.2.5(B).

CANCELLED
APR 13 9 35 AM '95
BY 3rd R.S. #147
Public Service Commission
MISSOURI

(G) 900 Access Service

900 Access Service is an originating service provided via 900 Access Service switched trunk groups, or may be provided in conjunction with FGB, FGC, or FGD. The Service provides the customer identification function (900 NXX screening) based on the first six digits of the dialed 900 number. When a 1 + 900 + NXX + XXXX call is originated by an end user, a customer identification function determines the customer to which the call is to be routed based on the NXX dialed.

When a customer requests that the Telephone Company open a 900 NXX access code for exchanges served by the Telephone Company within a specified state, LATA or

FILED

FEB 11 1995

(N)
(N)

ISSUED:
January 11, 1995

BY: John L. Roe
Vice President - Carrier and Regulatory Services
5454 West 110th Street
Overland Park, Kansas 66211

MISSOURI PUBLIC SERVICE COMMISSION
EFFECTIVE:
February 11, 1995

ACCESS SERVICE

6. Switched Access Service (Cont'd)

6.1 General (Cont'd)

6.1.1 Feature Group Arrangements and Manner of Provision (Cont'd)

(E) Manner of Provision (Cont'd)

Domestic traffic other than 800, 900 and Operator traffic; and, 800, 900 and Operator traffic type represents access capacity for carrying, respectively, only 800, 900 or Operator traffic. When ordering such types of access capacity, the customer must specify Domestic, 800, 900 Operator traffic types.

(F) 800 Access Service

800 Access Service is an originating service that is provided via 800 Access Service switched trunk groups, or may be provided in conjunction with FGB, FGC, or FGD. The service provides for the forwarding of end user dialed 800 calls to a Telephone Company Service Switching Point (SSP) which will initiate a query to the Telephone Company's 800 data base to perform the customer identification function. The call is forwarded to the appropriate customer based on the dialed 800 number. The customer has the option of having the 800 dialed number (i.e., 800-NXX-XXXX) or, if the 800 to local exchange number translation optional feature is specified, a translated ten digit local exchange number (NPA-NXX-XXXX) delivered to the customer premises.

When 800 Access Service traffic is combined in the same trunk group arrangement with other traffic, usage for the 800 Access Service traffic will be aggregated with the other traffic for billing purposes. When separate trunk groups are provided for 800 Access Service, usage will be provided separately. A more detailed description of 800 Access Service is as set forth in 6.2.5.

6.1.2 WATS Access Line Service

WATS Access Line Service is a type of Special Access Service that is provided only for use with Feature Group C and D Switched Access Service. WATS Access Line Service connects end user premises with a WATS or WATS-type Service Office. This Service is described in 7.2.11 following.

RECEIVED
MAR 31 1993

MO. PUBLIC SERVICE COMM.

CANCELLED

FEB 11 1995

BY RS # 147
Public Service Commission
MISSOURI

(N)

(N)

MAY 01 1993

MO. PUBLIC SERVICE COMM.

ISSUED:
March 31, 1993

BY: John L. Roe
Vice President - Administration
5454 West 110th Street
Overland Park, Kansas 66211

EFFECTIVE:
May 1, 1993

UNITED TELEPHONE COMPANY
OF MISSOURI

Original Page 147

RECEIVED

ACCESS SERVICE

SEP 17 1992

6. Switched Access Service (Cont'd)

MISSOURI
Public Service Commission

6.1 General (Cont'd)

6.1.1 Feature Group Arrangements and Manner of Provision (Cont'd)

(E) Manner of Provision (Cont'd)

Domestic traffic other than 800, 900 and Operator traffic; and, 800, 900 and Operator traffic type represents access capacity for carrying, respectively, only 800, 900 or Operator traffic. When ordering such types of access capacity, the customer must specify Domestic, 800, 900 Operator traffic types.

6.1.2 WATS Access Line Service

WATS Access Line Service is a type of Special Access Service that is provided only for use with Feature Group C and D Switched Access Service. WATS Access Line Service connects end user premises with a WATS or WATS-type Service Office. This Service is described in 7.2.11 following.

6.1.3 Rate Categories

There are three rate categories which apply to Switched Access Service:

- Local Transport (described in 6.1.3(B) following)
- End Office (described in 6.1.3(C) following)
- Common Line (described in Section 3, and 4, preceding)

In addition to these three rate categories, there is an Information Surcharge that applies to all Switched Access Feature Groups. The description and application of this charge are set forth in 6.7.15 following.

CANCELLED

MAY 1 1993
BY 1st R.S. #147
Public Service Commission
MISSOURI

FILED

NOV 7 1992

MO. PUBLIC SERVICE COMMISSION

ISSUED:
September 17, 1992

BY: John L. Roe
Vice President - Administration
5454 West 110th Street
Overland Park, Kansas 66211

EFFECTIVE:
~~October 1, 1992~~
NOV 7 1992

ACCESS SERVICE

6. Switched Access Service (Cont'd)

6.1 General (Cont'd)

6.1.1 Feature Group Arrangements and Manner of Provision (Cont'd)

(G) 900 Access Service (Cont'd)

service area subtending an access tandem, the order must include the provisioning of all Telephone Company offices within that state, LATA or all offices subtending the specified access tandem.

When 900 Access Service is combined in the same trunk group arrangement with other traffic, usage for the 900 Access Service traffic will be aggregated with the other traffic for billing purposes. When separate trunk groups are provided for 900 Access Service, usage will be provided separately. A more detailed description of 900 Access Service is as set forth in 6.2.5(D).

(H) Interim 500 Access Service

Interim 500 Access Service is an originating service that is provided via Interim 500 Access Service switched trunk groups, or may be provided in conjunction with FGC, or FGD. The Service provides the customer identification function (500 NXX screening) based on the first six digits of the dialed 500 number. When a 1 + 500 + NXX + XXXX call is originated by an end user, a customer identification function determines the customer to which the call is to be routed based on the NXX dialed.

When a customer requests that the Telephone Company open a 500 NXX access code for exchanges served by the Telephone Company within a specified state, LATA or service area subtending an access tandem, the order must include the provisioning of all Telephone Company offices within that state, LATA or all offices subtending the specified access tandem.

When Interim 500 Access Service traffic is combined in the same trunk group arrangement with other traffic, usage for the Interim 500 Access Service traffic will be aggregated with the other traffic for billing purposes. When separate trunk groups are provided for Interim 500 Access Service, usage will be provided separately. A more detailed description of Interim 500 Access Service is as set forth in 6.2.5(C).

6.1.2 WATS Access Line Service

WATS Access Line Service is a type of Special Access Service that is provided only for use with Feature Group C and D Switched Access Service. WATS Access Line Service connects end user premises with a WATS or WATS-type Service Office. This Service is described in 7.2.11 following.

ISSUED:
March 30, 2007

Mark D. Harper
Director - State Regulatory
5454 W. 110th Street
Overland Park, Kansas 66211

EFFECTIVE:
April 30, 2007

ACCESS SERVICE

RECEIVED

6. Switched Access Service (Cont'd)

6.1 General (Cont'd)

JAN 11 1995

6.1.1 Feature Group Arrangements and Manner of Provision (Cont'd)

(G) 900 Access Service (Cont'd)

MO. PUBLIC SERVICE COMMISSION

service area subtending an access tandem, the order must include the provisioning of all Telephone Company offices within that state, LATA or all offices subtending the specified access tandem.

When 900 Access Service is combined in the same trunk group arrangement with other traffic, usage for the 900 Access Service traffic will be aggregated with the other traffic for billing purposes. When separate trunk groups are provided for 900 Access Service, usage will be provided separately. A more detailed description of 900 Access Service is as set forth in 6.2.5(D).

(H) Interim 500 Access Service

Interim 500 Access Service is an originating service that is provided via Interim 500 Access Service switched trunk groups, or may be provided in conjunction with FGC, or FGD. The Service provides the customer identification function (500 NXX screening) based on the first six digits of the dialed 500 number. When a 1 + 500 + NXX + XXXX call is originated by an end user, a customer identification function determines the customer to which the call is to be routed based on the NXX dialed.

When a customer requests that the Telephone Company open a 500 NXX access code for exchanges served by the Telephone Company within a specified state, LATA or service area subtending an access tandem, the order must include the provisioning of all Telephone Company offices within that state, LATA or all offices subtending the specified access tandem.

When Interim 500 Access Service traffic is combined in the same trunk group arrangement with other traffic, usage for the Interim 500 Access Service traffic will be aggregated with the other traffic for billing purposes. When separate trunk groups are provided for Interim 500 Access Service, usage will be provided separately. A more detailed description of Interim 500 Access Service is as set forth in 6.2.5(C).

6.1.2 WATS Access Line Service

WATS Access Line Service is a type of Special Access Service that is provided only for use with Feature Group C and D Switched Access Service. WATS Access Line Service connects end user premises with a WATS or WATS-type Service Office. This Service is described in 7.2.11 following.

(M)
|
(M)

FEB 11 1995

ISSUED:
January 11, 1995

BY: John L. Roe
Vice President - Carrier and Regulatory Services
5454 West 110th Street
Overland Park, Kansas 66211

MISSOURI
Public Service Commission
EFFECTIVE
February 11, 1995

ACCESS SERVICE

6. Switched Access Service (Cont'd)

6.1 General (Cont'd)

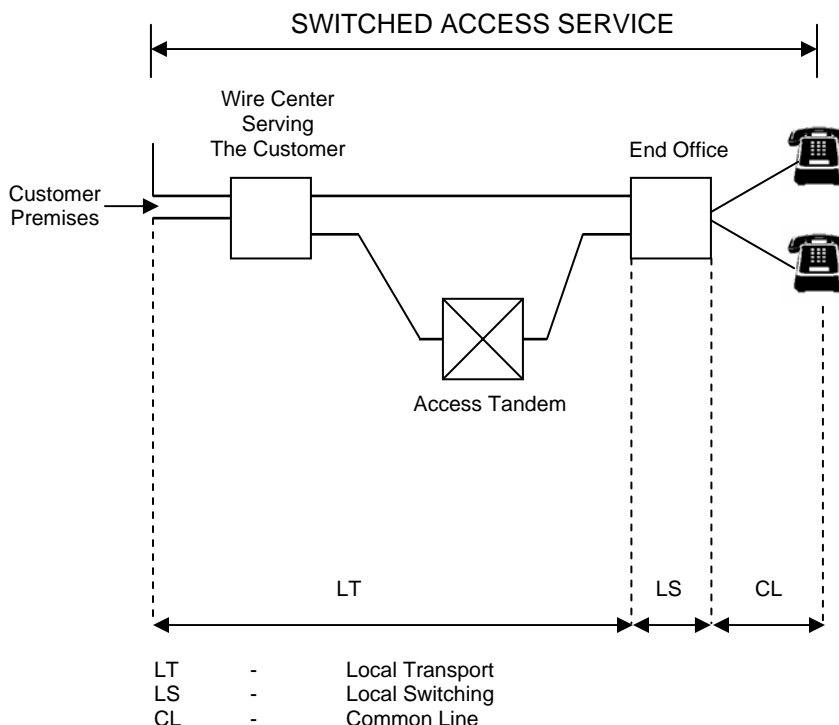
6.1.3 Rate Categories

There are three rate categories which apply to Switched Access Service:

- Local Transport (described in 6.1.3(B) following)
- Local Switching (described in 6.1.3(C) following)
- Common Line (described in Section 3, and 4, preceding)

In addition to these three rate categories, there are also charges which apply only to Interim 500, TFC and 900 Access Service. The description and application of TFC Access Service charges are set forth in 6.1.3(D). The description and application of 900 Access Service charges are set forth in 6.1.3(E), 6.7.1(C)(4), and 6.7.16 following. The description and application of Interim 500 Access Service charges are set forth in 6.1.3(F), 6.7.1(C)(5), and 6.7.16 following.

The following diagram depicts a generic view of the components of Switched Access Service and the manner in which the components are combined to provide a complete access service.



*Common line access is provided under Section 3. preceding.

ISSUED:
March 30, 2007

Mark D. Harper
Director - State Regulatory
5454 W. 110th Street
Overland Park, Kansas 66211

EFFECTIVE:
April 30, 2007

CANCELLED
October 19, 2009
Missouri Public
Service Commission
TN-2010-0086; JI-2010-0159

Filed
Missouri Public
Service Commission

SPRINT MISSOURI, INC.
d/b/a SPRINT

Fifth Revised Page 148
Cancels Fourth Revised Page 148

Missouri Public

ACCESS SERVICE

REC'D JAN 07 2002

6. Switched Access Service (Cont'd)

6.1 General (Cont'd)

Service Commission

6.1.3 Rate Categories

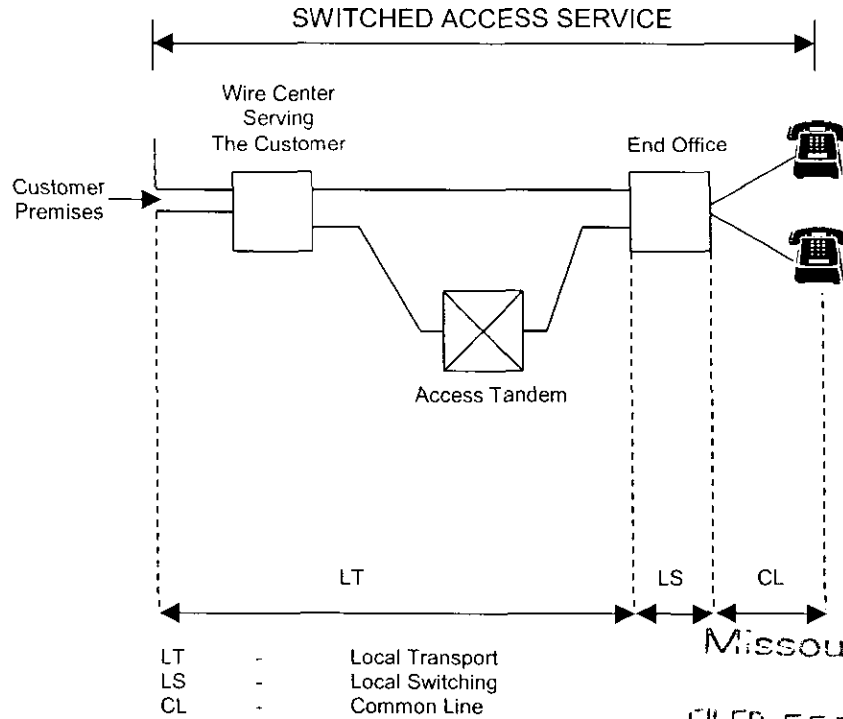
There are three rate categories which apply to Switched Access Service:

- Local Transport (described in 6.1.3(B) following)
- Local Switching (described in 6.1.3(C) following)
- Common Line (described in Section 3, and 4, preceding)

In addition to these three rate **categories**, **there** are also charges which apply only to Interim 500, TFC and 900 Access Service. The description and application of TFC Access Service charges are set forth in 6.1.3(D). The description and application of 900 Access Service charges are set forth in 6.1.3(E), 6.7.1(C)(4), and 6.7.16 following. The description and application of Interim 500 Access Service charges are set forth in 6.1.3(F), 6.7.1(C)(5), and 6.7.16 following.

(T)

The following diagram depicts a generic view of the components of Switched Access Service and the manner in which the components are combined to provide a complete access service.



Missouri Public

FILED FEB 07 2002

*Common line access is provided under Section 3. preceding.

Service Commission

ISSUED:
January 7, 2002

Richard D. Lawson
State Executive, External Affairs
319 Madison
Jefferson City, MO 65101

EFFECTIVE:
February 7, 2002

RECEIVED

ACCESS SERVICE

6. Switched Access Service (Cont'd)

MAR 27 1996

6.1 General (Cont'd)

MISSOURI
Public Service Commission

6.1.3 Rate Categories

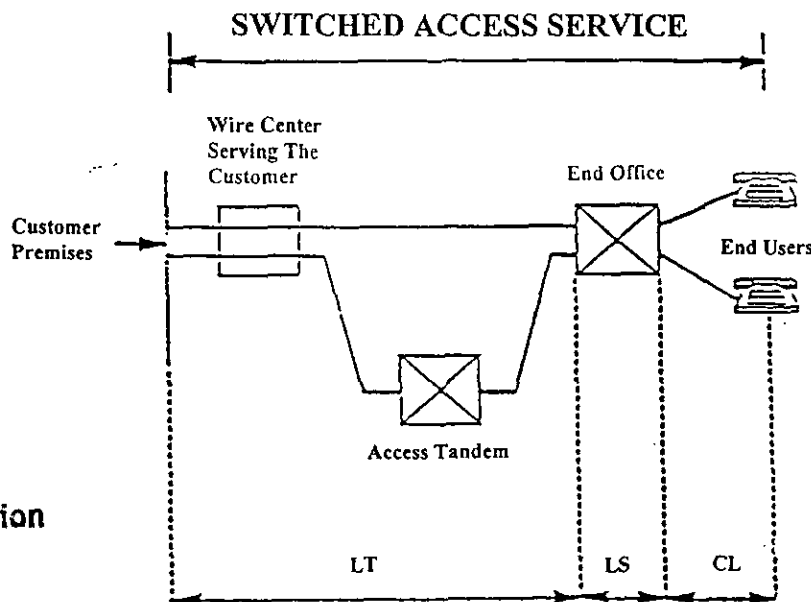
There are three rate categories which apply to Switched Access Service:

- Local Transport (described in 6.1.3(B) following)
- Local Switching (described in 6.1.3(C) following)
- Common Line (described in Section 3, and 4, preceding)

In addition to these three rate categories, there is an Information Surcharge that applies to all Switched Access Service Arrangements. The description and application of this charge is set forth in 6.7.15 following. There are also charges which apply only to Interim 500, TFC and 900 Access Service. The description and application of TFC Access Service charges are set forth in 6.1.3(D). The description and application of 900 Access Service charges are set forth in 6.1.3(E), 6.7.1(C)(4), and 6.7.16 following. The description and application of Interim 500 Access Service charges are set forth in 6.1.3(F), 6.7.1(C)(5), and 6.7.16 following.

(T)
(T)

The following diagram depicts a generic view of the components of Switched Access Service and the manner in which the components are combined to provide a complete access service.



CANCELLED

FEB 07 2002

1 5th RP 148
Public Service Commission
MISSOURI

FILED

MAR 29 1996

LT - Local Transport
LS - Local Switching
CL - Common Line

*Common line access is provided under Section 3. preceding.

ISSUED:
March 27, 1996

BY: John L. Roe
Vice President - Carrier and Regulatory Services
5454 West 110th Street
Overland Park, Kansas 66211

EFFECTIVE:
April 29, 1996

RECEIVED

ACCESS SERVICE

6. Switched Access Service (Cont'd)

JAN 11 1995

6.1 General (Cont'd)

6.1.3 Rate Categories

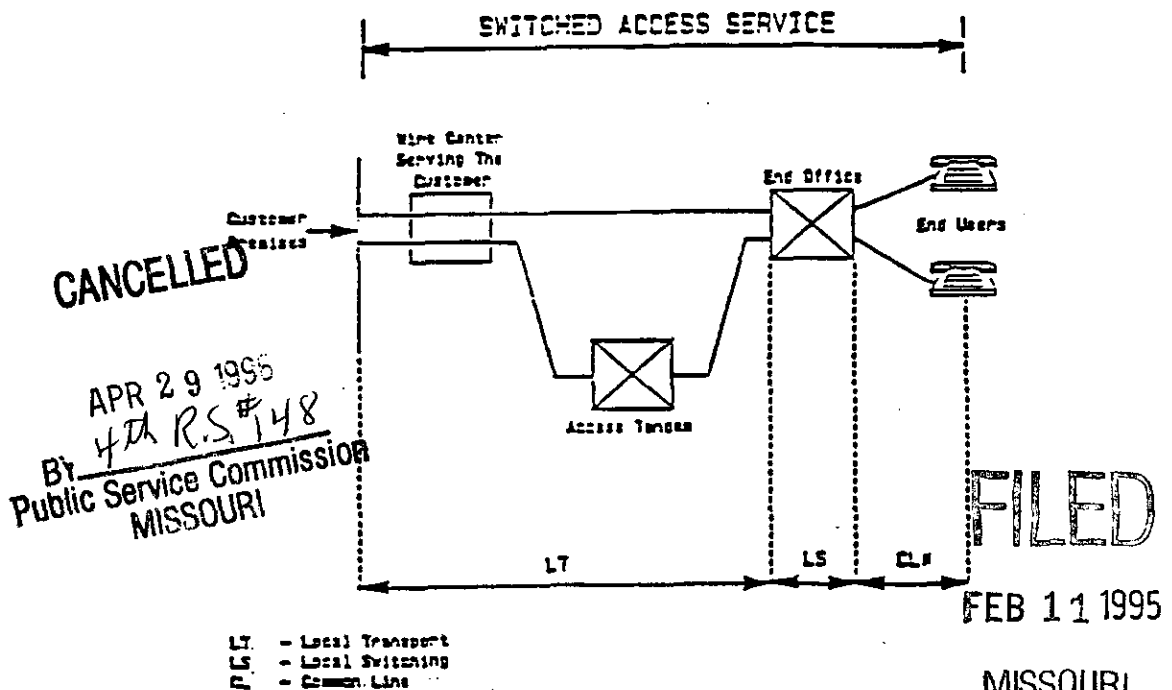
MO. PUBLIC SERVICE COMM. (Z)

There are three rate categories which apply to Switched Access Service:

- Local Transport (described in 6.1.3(B) following)
- Local Switching (described in 6.1.3(C) following)
- Common Line (described in Section 3, and 4, preceding)

In addition to these three rate categories, there is an Information Surcharge that applies to all Switched Access Service Arrangements. The description and application of this charge is set forth in 6.7.15 following. There are also charges which apply only to Interim 500, 800 and 900 Access Service. The description and application of 800 Access Service charges are set forth in 6.1.3(D). The description and application of 900 Access Service charges are set forth in 6.1.3(E), 6.7.1(C)(4), and 6.7.16 following. The description and application of Interim 500 Access Service charges are set forth in 6.1.3(F), 6.7.1(C)(5), and 6.7.16 following.

The following diagram depicts a generic view of the components of Switched Access Service and the manner in which the components are combined to provide a complete access service.



APR 29 1995
BY *HDR R.S. #148*
Public Service Commission
MISSOURI

FILED

FEB 11 1995

- LT - Local Transport
- LS - Local Switching
- CL - Common Line

*Common line access is provided under Section 3. preceding.

MISSOURI
Public Service Commission

ISSUED:
January 11, 1995

BY: John L. Roe
Vice President - Carrier and Regulatory Services
5454 West 110th Street
Overland Park, Kansas 66211

EFFECTIVE:
February 11, 1995

FILED

ACCESS SERVICE

NOV 2 1993

6. Switched Access Service (Cont'd)

MO. PUBLIC SERVICE BOARD

6.1 General (Cont'd)

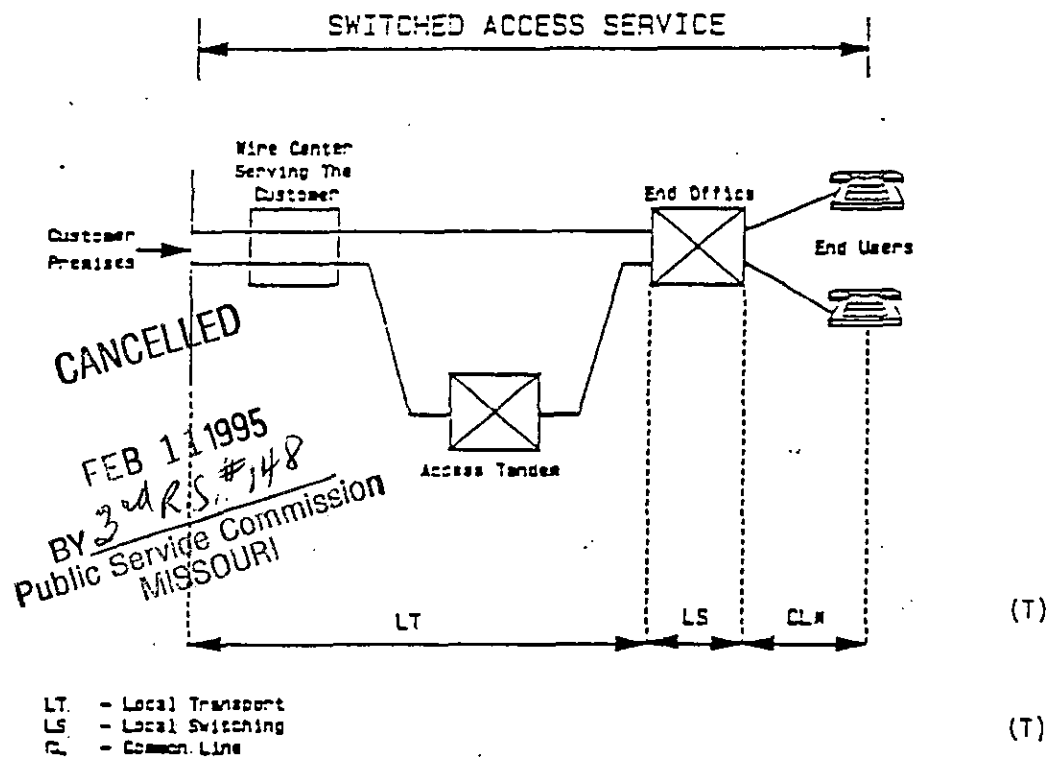
6.1.3 Rate Categories (Cont'd)

There are three rate categories which apply to Switched Access Service:

- Local Transport (described in 6.1.3(B) following)
- Local Switching (described in 6.1.3(C) following)
- Common Line (described in Section 3, and 4, preceding)

In addition to these three rate categories, there is an Information Surcharge that applies to all Switched Access Feature Groups. The description and application of this charge are set forth in 6.7.15 following.

The following diagram depicts a generic view of the components of Switched Access Service and the manner in which the components are combined to provide a complete access service.



*Common line access is provided under Section 3. preceding.

ISSUED:
November 3, 1993

BY: John L. Roe
Vice President-Administration
5454 West 110th Street
Overland Park, Kansas 66211

FILED

EFFECTIVE:
November 7, 1993

NOV 7 1993
93-181
MO. PUBLIC SERVICE COMM.

ACCESS SERVICE

RECEIVED

MAR 31 1993

MO. PUBLIC SERVICE COMMISSION

6. Switched Access Service (Cont'd)

6.1 General (Cont'd)

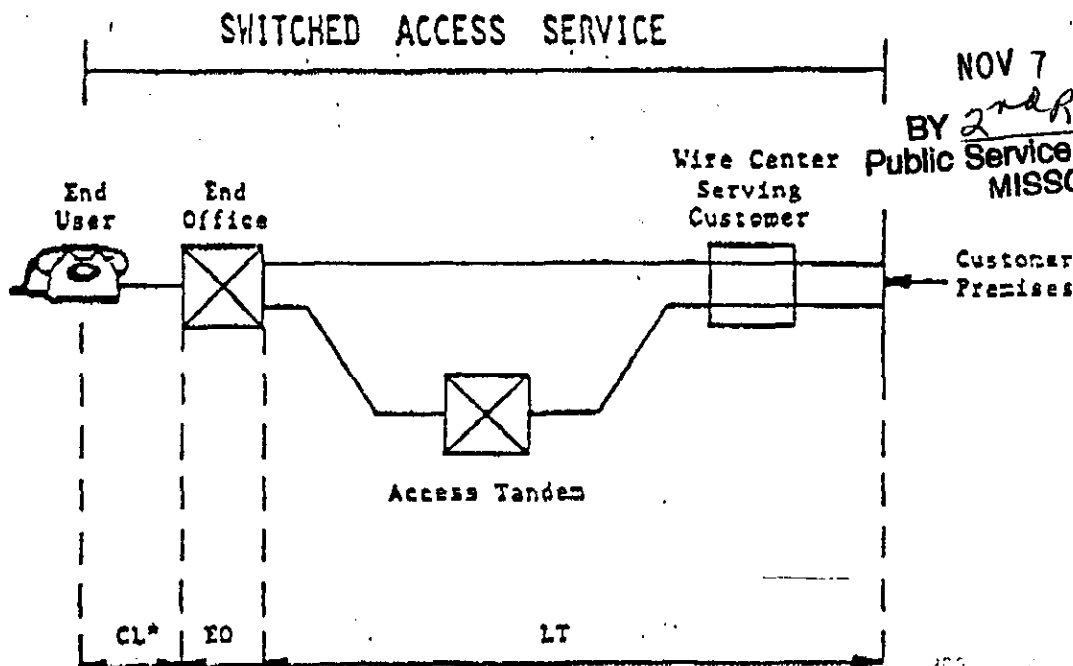
6.1.3 Rate Categories (Cont'd)

There are three rate categories which apply to Switched Access Service:

- Local Transport (described in 6.1.3(B) following)
- Local Switching (described in 6.1.3(C) following)
- Common Line (described in Section 3, and 4, preceding)

In addition to these three rate categories, there is an Information Surcharge that applies to all Switched Access Feature Groups. The description and application of this charge are set forth in 6.7.15 following.

The following diagram depicts a generic view of the components of Switched Access Service and the manner in which the components are combined to provide a complete access service.



LT -Local Transport
 EO -End Office
 CL -Common Line

CANCELLED

NOV 7 1993
BY 2nd P. S. #148
Public Service Commission
MISSOURI

MAY 0 1 1993

*Common line access is provided under Section 3. preceding.

ISSUED:
March 31, 1993

BY: John L. Roe
Vice President - Administration
5454 West 110th Street
Overland Park, Kansas 66211

EFFECTIVE:
May 1, 1993

UNITED TELEPHONE COMPANY
OF MISSOURI

Original Page 148

ACCESS SERVICE

RECEIVED

SEP 17 1992

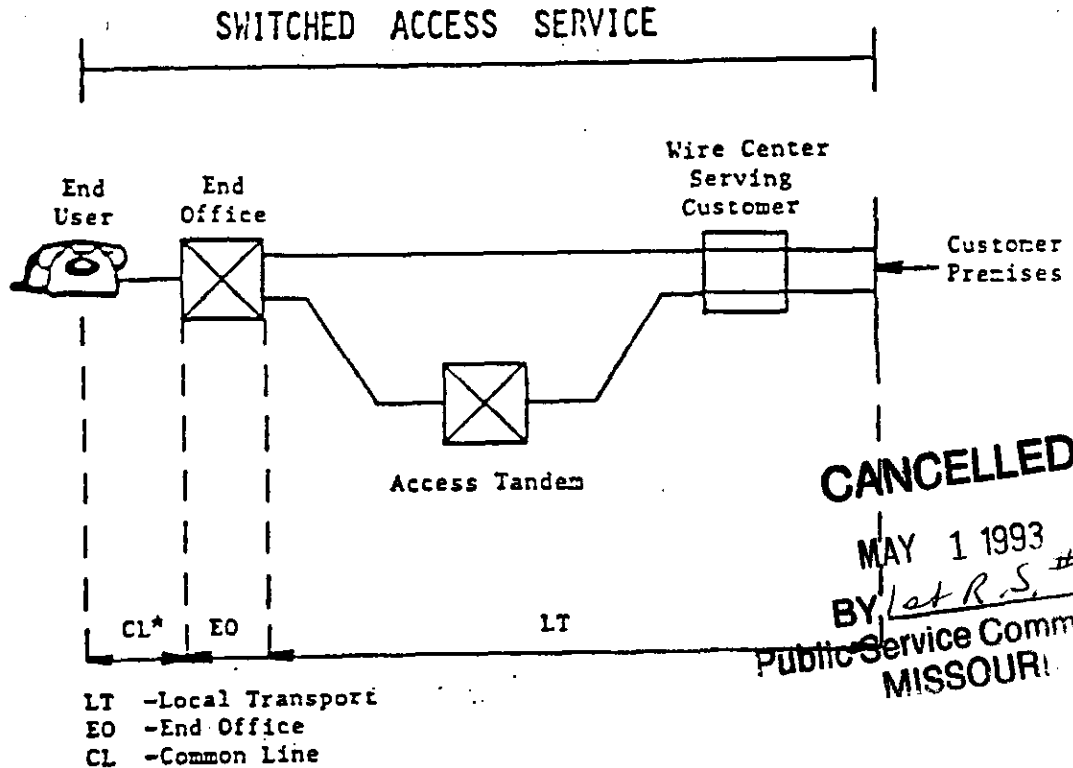
6. Switched Access Service (Cont'd)

6.1 General (Cont'd)

MISSOURI
Public Service Commission

6.1.3 Rate Categories (Cont'd)

The following diagram depicts a generic view of the components of Switched Access Service and the manner in which the components are combined to provide a complete access service.



CANCELLED

MAY 1 1993

BY *let R.S. #148*

Public Service Commission
MISSOURI

*Common line access is provided under Section 3. preceding.

ISSUED:
September 17, 1992

BY: John L. Roe
Vice President - Administration
5454 West 110th Street
Overland Park, Kansas 66211

NOV 7 1992
EFFECTIVE:
~~October 17, 1992~~
NOV 7 1992

ACCESS SERVICE

6. Switched Access Service (Cont'd)

6.1 General (Cont'd)

6.1.3 Rate Categories (Cont'd)

(A) Access Connections

Material formerly found in this Section now appears in Section 6.1.3(B)(2) and 6.1.3(B)(3) following.

(B) Local Transport

The Local Transport rate category provides the transmission facilities between the customer's premises and the end office switch(es) where the customer's traffic is switched to originate or terminate the customer's communications. For purposes of determining Local Transport mileage, distance will be measured from the wire center that normally serves the customer's premises to the end office switch(es). Exceptions to the mileage measurement rules are set forth in 6.7.13 following.

Local Transport is a two-way voice frequency transmission path composed of facilities determined by the Telephone Company. The two-way voice frequency transmission path permits the transport of calls in the originating direction (from the end user end office switch to the customer's premises) and in the terminating direction (from the customer's premises to the end office switch), but not simultaneously. The voice frequency transmission path may be comprised of any form or configuration of plant capable of and typically used in the telecommunications industry for the transmission of voice and associated telephone signals within the frequency bandwidth of approximately 300 to 3000 Hz.

The Telephone Company will work cooperatively with the customers in determining (1) whether the service is to be directly routed to an end office switch or through an access tandem switch, and (2) directionality of the service.

ISSUED:
March 30, 2007

Mark D. Harper
Director - State Regulatory
5454 W. 110th Street
Overland Park, Kansas 66211

EFFECTIVE:
April 30, 2007

CANCELLED
October 19, 2009
Missouri Public
Service Commission
TN-2010-0086; JI-2010-0159

Filed
Missouri Public
Service Commission

ACCESS SERVICE

RECEIVED

6. Switched Access Service (Cont'd)

SEP 17 1992

6.1 General (Cont'd)

MISSOURI
State Service Commission

6.1.3 Rate Categories (Cont'd)

(A) Access Connections

Material formerly found in this Section now appears in Section 6.1.3(B)(2) and 6.1.3(B)(3) following.

(B) Local Transport

The Local Transport rate category provides the transmission facilities between the customer's premises and the end office switch(es) where the customer's traffic is switched to originate or terminate the customer's communications. For purposes of determining Local Transport mileage, distance will be measured from the wire center that normally serves the customer's premises to the end office switch(es). Exceptions to the mileage measurement rules are set forth in 6.7.13 following.

Local Transport is a two-way voice frequency transmission path composed of facilities determined by the Telephone Company. The two-way voice frequency transmission path permits the transport of calls in the originating direction (from the end user end office switch to the customer's premises) and in the terminating direction (from the customer's premises to the end office switch), but not simultaneously. The voice frequency transmission path may be comprised of any form or configuration of plant capable of and typically used in the telecommunications industry for the transmission of voice and associated telephone signals within the frequency bandwidth of approximately 300 to 3000 Hz.

The Telephone Company will work cooperatively with the customers in determining, (1) whether the service is to be directly routed to an end office switch or through an access tandem switch, and (2) directionality of the service.

ISSUED:
September 17, 1992

BY: John L. Roe
Vice President - Administration
5454 West 110th Street
Overland Park, Kansas 66211

EFFECTIVE:
~~October 1, 1992~~

NOV 7 1992

ACCESS SERVICE

6. Switched Access Service (Cont'd)

6.1 General (Cont'd)

6.1.3 Rate Categories (Cont'd)

(B) Local Transport (Cont'd)

Local Transport is provided at the rates and charges as set forth in 6.8.2 following. The application of these rates with respect to individual Feature Groups is as set forth in 6.7.1(D) following.

The number of Local Transport transmission paths provided is based on the customer's order and is determined by the Telephone Company as set forth in 6.5.5 following.

(1) Reserved For Future Use

ISSUED:
March 30, 2007

Mark D. Harper
Director - State Regulatory
5454 W. 110th Street
Overland Park, Kansas 66211

EFFECTIVE:
April 30, 2007

CANCELLED
October 19, 2009
Missouri Public
Service Commission
TN-2010-0086; JI-2010-0159

Filed
Missouri Public
Service Commission

UNITED TELEPHONE COMPANY
OF MISSOURI

Original Page 150

ACCESS SERVICE

RECEIVED

6. Switched Access Service (Cont'd)

SEP 17 1992

6.1 General (Cont'd)

MISSOURI
Public Service Commission

6.1.3 Rate Categories (Cont'd)

(B) Local Transport (Cont'd)

Local Transport is provided at the rates and charges as set forth in 6.8.2 following. The application of these rates with respect to individual Feature Groups is as set forth in 6.7.1(D) following.

The number of Local Transport transmission paths provided is based on the customer's order and is determined by the Telephone Company as set forth in 6.5.5 following.

(1) Reserved For Future Use

NOV 1 1992

ISSUED:
September 17, 1992

BY: John L. Roe
Vice President - Administration
5454 West 110th Street
Overland Park, Kansas 66211

EFFECTIVE:

~~SEP 17 1992~~
NOV 7 1992

ACCESS SERVICE

6. Switched Access Service (Cont'd)

6.1 General (Cont'd)

6.1.3 Rate Categories (Cont'd)

(B) Local Transport (Cont'd)

(2) Interface Groups

Four Interface Groups are provided for terminating the Local Transport at the customer's premises. Each Interface Group provides a specified premises interface (e.g., two-wire, four-wire, DS1, etc.). Where transmission facilities permit, the individual transmission path between the customer's premises and the first point of switching may at the option of the customer be provided with optional features as set forth in 3(a) and (b) following.

Network Channel (NC) codes, feature group and technical specifications provide the available supervisory signaling options. The combination of the interface group and supervisory signaling ordered will identify the appropriate premises interface code (network channel interface code). Feature group and technical specifications are set forth in Technical Reference Publication GR-3334.

As a result of the customer's access order and the type of Telephone Company transport facilities serving the customer's premises, the need for signaling conversions or two-wire to four-wire conversions, or the need to terminate digital or high frequency facilities in channel bank equipment may require that Telephone Company equipment be placed at the customer's premises. For example, if a voice frequency interface is ordered by the customer and the Telephone Company facilities serving the customer's premises are digital, then Telephone Company channel bank equipment must be placed at the customer's premises in order to provide the voice frequency interface ordered by the customer.

Interface Group 1 is provided with Type C Transmission Specifications, and Interface Groups 2, 6 and 9 are provided with Type A or B Transmission Specifications, depending on the Feature Group and whether the Access Service is routed directly or through an access tandem. All Interface Groups are provided with Data Transmission Parameters.

ISSUED:
March 30, 2007

Mark D. Harper
Director - State Regulatory
5454 W. 110th Street
Overland Park, Kansas 66211

EFFECTIVE:
April 30, 2007

SPRINT MISSOURI, INC.
d/b/a SPRINT

Second Revised Page 151
Cancels First Revised Page 151

ACCESS SERVICE

Missouri Public

6. Switched Access Service (Cont'd)

REC'D JAN 15 2002

6.1 General (Cont'd)

Service Commission

6.1.3 Rate Categories (Cont'd)

(B) Local Transport (Cont'd)

(2) Interface Groups

Four Interface Groups are provided for terminating the Local Transport at the customer's premises. Each Interface Group provides a specified premises interface (e.g., two-wire, four-wire, DS1, etc.). Where transmission facilities permit, the individual transmission path between the customer's premises and the first point of switching may at the option of the customer be provided with optional features as set forth in 3(a) and (b) following.

Network Channel (NC) codes, feature group and technical specifications provide the available supervisory signaling options. The combination of the interface group and supervisory signaling ordered will identify the appropriate premises interface code (network channel interface code). Feature group and technical specifications are set forth in Technical Reference **Publication GR-3334**.

(T)

As a result of the customer's access order and the type of Telephone Company transport facilities serving the customer's premises, the need for signaling conversions or two-wire to four-wire conversions, or the need to terminate digital or high frequency facilities in channel bank equipment may require that Telephone Company equipment be placed at the customer's premises. For example, if a voice frequency interface is ordered by the customer and the Telephone Company facilities serving the customer's premises are digital, then Telephone Company channel bank equipment must be placed at the customer's premises in order to provide the voice frequency interface ordered by the customer.

Interface Group 1 is provided with Type C Transmission Specifications, and Interface Groups 2, 6 and 9 are provided with Type A or B Transmission Specifications, depending on the Feature Group and whether the Access Service is routed directly or through an access tandem. All Interface Groups are provided with Data Transmission Parameters.

Missouri Public

FILED FEB 15 2002

Service Commission

ISSUED:
January 15, 2002

Richard D. Lawson
State Executive, External Affairs
319 Madison
Jefferson City, MO 65101

EFFECTIVE:
February 15, 2002

SPRINT MISSOURI, INC.
d/b/a SPRINT

First Revised Page 151
Cancels Original Page 151

ACCESS SERVICE

6. Switched Access Service (Cont'd)

6.1 General (Cont'd)

6.1.3 Rate Categories (Cont'd)

(B) Local Transport (Cont'd)

(2) Interface Groups

Four Interface Groups are provided for terminating the Local Transport at the customer's premises. Each Interface Group provides a specified premises interface (e.g., two-wire, four-wire, DSL, etc.). Where transmission facilities permit, the individual transmission path between the customer's premises and the first point of switching may at the option of the customer be provided with optional features as set forth in 3(a) and (b) following.

(T)

Network Channel (NC) codes, feature group and technical specifications provide the available supervisory signaling options. The combination of the interface group and supervisory signaling ordered will identify the appropriate premises interface code (network channel interface code). Feature group and technical specifications are set forth in Technical Reference TR-NWT-000334.

(N)

(N)

As a result of the customer's access order and the type of Telephone Company transport facilities serving the customer's premises, the need for signaling conversions or two-wire to four-wire conversions, or the need to terminate digital or high frequency facilities in channel bank equipment may require that Telephone Company equipment be placed at the customer's premises. For example, if a voice frequency interface is ordered by the customer and the Telephone Company facilities serving the customer's premises are digital, then Telephone Company channel bank equipment must be placed at the customer's premises in order to provide the voice frequency interface ordered by the customer.

Interface Group 1 is provided with Type C Transmission Specifications, and Interface Groups 2, 6 and 9 are provided with Type A or B Transmission Specifications, depending on the Feature Group and whether the Access Service is routed directly or through an access tandem. All Interface Groups are provided with Data Transmission Parameters.

(C)

Missouri Public Service Commission

REC'D MAY 03 2000

CANCELLED

FEB 15 2002

2nd RP 151

Public Service Commission MISSOURI

Missouri Public Service Commission

FILED JUN 02 2000

ISSUED:
May 3, 2000

Richard D. Lawson
State Executive, External Affairs

EFFECTIVE:
June 2, 2000

UNITED TELEPHONE COMPANY
OF MISSOURI

Original Page 151

ACCESS SERVICE

RECEIVED

6. Switched Access Service (Cont'd)

SEP 17 1992

6.1 General (Cont'd)

MISSOURI
Public Service Commission

6.1.3 Rate Categories (Cont'd)

(B) Local Transport (Cont'd)

(2) Interface Groups

Ten Interface Groups are provided for terminating the Local Transport at the customer's premises. Each Interface Group provides a specified premises interface (e.g., two-wire, four-wire, DS1, etc.). Where transmission facilities permit, the individual transmission path between the customer's premises and the first point of switching may at the option of the customer be provided with optional features as set forth in 3(a) and (b) following.

As a result of the customer's access order and the type of Telephone Company transport facilities serving the customer's premises, the need for signaling conversions or two-wire to four-wire conversions, or the need to terminate digital or high frequency facilities in channel bank equipment may require that Telephone Company equipment be placed at the customer's premises. For example, if a voice frequency interface is ordered by the customer and the Telephone Company facilities serving the customer's premises are digital, then Telephone Company channel bank equipment must be placed at the customer's premises in order to provide the voice frequency interface ordered by the customer.

CANCELLED

JUN 02 2000
by 151 RP 151
Public Service Commission
MISSOURI

Interface Group 1 is provided with Type C Transmission Specifications, and Interface Groups 2 through 10 are provided with Type A or B Transmission Specifications, depending on the Feature Group and whether the Access Service is routed directly or through an access tandem. All Interface Groups are provided with Data Transmission Parameters.

NOV 7 1992

ISSUED:
September 17, 1992

BY: John L. Roe
Vice President - Administration
5454 West 110th Street
Overland Park, Kansas 66211

NO. 2000-000000000000
EFFECTIVE

NOV 7 1992

ACCESS SERVICE

6. Switched Access Service (Cont'd)

6.1 General (Cont'd)

6.1.3 Rate Categories (Cont'd)

(B) Local Transport (Cont'd)

(2) Interface Groups (Cont'd)

Only certain premises interfaces are available at the customer's premises. The premises interfaces associated with the Interface Groups may vary among Feature Groups. The various premises interfaces which are available with the Interface Groups, and the Feature Groups with which they may be used, are set forth in (2)(e) following.

(a) Interface Group 1

Interface Group 1, except as set forth following, provides two-wire analog voice frequency transmission at the point of termination at the customer's premises. The interface is capable of transmission of voice and associated telephone signals within the frequency bandwidth of approximately 300 to 3000 Hz.

Interface Group 1 is not provided in association with FGC and FGD when the first point of switching is an access tandem. In addition, Interface Group 1 is not provided in association with FGB, FGC or FGD when the first point of switching provides only four-wire terminations.

The transmission path between the point of termination at the customer's premises and the first point of switching may be comprised of any form or configuration of plant capable of and typically used in the telecommunications industry for the transmission of voice and associated telephone signals within the frequency bandwidth of 300 to 3000 Hz.

ISSUED:
March 30, 2007

Mark D. Harper
Director - State Regulatory
5454 W. 110th Street
Overland Park, Kansas 66211

EFFECTIVE:
April 30, 2007

SPRINT MISSOURI, INC.
d/b/a SPRINT

First Revised Page 152
Cancels Original Page 152

ACCESS SERVICE

6. Switched Access Service (Cont'd)

6.1 General (Cont'd)

6.1.3 Rate Categories (Cont'd)

(B) Local Transport (Cont'd)

(2) Interface Groups (Cont'd)

Only certain premises interfaces are available at the customer's premises. The premises interfaces associated with the Interface Groups may vary among Feature Groups. The various premises interfaces which are available with the Interface Groups, and the Feature Groups with which they may be used, are set forth in (2)(e) following.

(T)

(a) Interface Group 1

(C)

Interface Group 1, except as set forth following, provides two-wire analog voice frequency transmission at the point of termination at the customer's premises. The interface is capable of transmission of voice and associated telephone signals within the frequency bandwidth of approximately 300 to 3000 Hz.

Interface Group 1 is not provided in association with FGC and FGD when the first point of switching is an access tandem. In addition, Interface Group 1 is not provided in association with FGB, FGC or FGD when the first point of switching provides only four-wire terminations.

The transmission path between the point of termination at the customer's premises and the first point of switching may be comprised of any form or configuration of plant capable of and typically used in the telecommunications industry for the transmission of voice and associated telephone signals within the frequency bandwidth of 300 to 3000

Missouri Public Service Commission

FILED JUN 02 2000

ISSUED:
May 3, 2000

Richard D. Lawson
State Executive, External Affairs

EFFECTIVE:
June 2, 2000

UNITED TELEPHONE COMPANY
OF MISSOURI

Original Page 152

ACCESS SERVICE

6. Switched Access Service (Cont'd)

RECEIVED

6.1 General (Cont'd)

SEP 17 1992

6.1.3 Rate Categories (Cont'd)

MISSOURI
Public Service Commission

(B) Local Transport (Cont'd)

(2) Interface Groups (Cont'd)

Only certain premises interfaces are available at the customer's premises. The premises interfaces associated with the Interface Groups may vary among Feature Groups. The various premises interfaces which are available with the Interface Groups, and the Feature Groups with which they may be used, are set forth in (2)(k) following.

(a) Interface Group 1 (USOC TPPLX)

Interface Group 1, except as set forth following, provides two-wire analog voice frequency transmission at the point of termination at the customer's premises. The interface is capable of transmission of voice and associated telephone signals within the frequency bandwidth of approximately 300 to 3000 Hz.

Interface Group 1 is not provided in association with FGC and FGD when the first point of switching is an access tandem. In addition, Interface Group 1 is not provided in association with FGB, FGC or FGD when the first point of switching provides only four-wire terminations.

The transmission path between the point of termination at the customer's premises and the first point of switching may be comprised of any form or configuration of plant capable of and typically used in the telecommunications industry for the transmission of voice and associated telephone signals within the frequency bandwidth of 300 to 3000 Hz.

CANCELLED

JUN 02 2000
B, 1st RP 152
Public Service Commission
MISSOURI

NOV 7 1992

NO. 26-152-110-00000

ISSUED:
September 17, 1992

BY: John L. Roe
Vice President - Administration
5454 West 110th Street
Overland Park, Kansas 66211

EFFECTIVE:

NOV 7 1992

ACCESS SERVICE

6. Switched Access Service (Cont'd)

6.1 General (Cont'd)

6.1.3 Rate Categories (Cont'd)

(B) Local Transport (Cont'd)

(2) Interface Groups (Cont'd)

(a) Interface Group 1 (Cont'd)

The interface is provided with loop supervisory signaling. When the interface is associated with FGA, such signaling will be loop start or ground start signaling. When the interface is associated with FGB, FGC or FGD, such signaling, except for two-way calling which is E&M signaling, will be reverse battery signaling.

(b) Interface Group 2

Interface Group 2 provides two-wire voice frequency transmission at the point of termination at the customer's premises. The interface is capable of transmission of voice and associated telephone signals within the frequency bandwidth of approximately 300 to 3000 Hz.

The transmission path between point of termination at the customer's premises and the first point of switching may be comprised of any form or configuration of plant capable of and typically used in the telecommunications industry for the transmission of voice and associated telephone signals within the frequency bandwidth of approximately 300 to 3000 Hz.

ISSUED:
March 30, 2007

Mark D. Harper
Director - State Regulatory
5454 W. 110th Street
Overland Park, Kansas 66211

EFFECTIVE:
April 30, 2007

CANCELLED
October 19, 2009
Missouri Public
Service Commission
TN-2010-0086; JI-2010-0159

Filed
Missouri Public
Service Commission

SPRINT MISSOURI, INC.
d/b/a SPRINT

First Revised Page 153
Cancels Original Page 153

ACCESS SERVICE

6. Switched Access Service (Cont'd)

6.1 General (Cont'd)

6.1.3 Rate Categories (Cont'd)

(B) Local Transport (Cont'd)

(2) Interface Groups (Cont'd)

(a) Interface Group 1 (Cont'd)

(C)

The interface is provided with loop supervisory signaling. When the interface is associated with FGA, such signaling will be loop start or ground start signaling. When the interface is associated with FGB, FGC or FGD, such signaling, except for two-way calling which is E&M signaling, will be reverse battery signaling.

(b) Interface Group 2

(C)

Interface Group 2 provides two-wire voice frequency transmission at the point of termination at the customer's premises. The interface is capable of transmission of voice and associated telephone signals within the frequency bandwidth of approximately 300 to 3000 Hz.

The transmission path between point of termination at the customer's premises and the first point of switching may be comprised of any form or configuration of plant capable of and typically used in the telecommunications industry for the transmission of voice and associated telephone signals within the frequency bandwidth of approximately 300 to 3000 Hz.

Missouri Public
Service Commission

REC'D MAY 03 2000

Missouri Public
Service Commission

FILED JUN 02 2000

ISSUED:
May 3, 2000

Richard D. Lawson
State Executive, External Affairs

EFFECTIVE:
June 2, 2000

ACCESS SERVICE

6. Switched Access Service (Cont'd)

6.1 General (Cont'd)

6.1.3 Rate Categories (Cont'd)

(B) Local Transport (Cont'd)

(2) Interface Groups (Cont'd)

(a) Interface Group 1 (USOC TPPIX) (Cont'd)

The interface is provided with loop supervisory signaling. When the interface is associated with FGA, such signaling will be loop start or ground start signaling. When the interface is associated with FGB, FGC or FGD, such signaling, except for two-way calling which is E&M signaling, will be reverse battery signaling.

(b) Interface Group 2 (USOC TPPZX)

Interface Group 2 provides two-wire voice frequency transmission at the point of termination at the customer's premises. The interface is capable of transmission of voice and associated telephone signals within the frequency bandwidth of approximately 300 to 3000 Hz.

The transmission path between point of termination at the customer's premises and the first point of switching may be comprised of any form or configuration of plant capable of and typically used in the telecommunications industry for the transmission of voice and associated telephone signals within the frequency bandwidth of approximately 300 to 3000 Hz.

RECEIVED

SEP 17 1992

MISSOURI
Public Service Commission

CANCELLED

JUN 02 2000

151 RP153

Public Service Commission
MISSOURI

ISSUED:
September 17, 1992

BY: John L. Roe
Vice President - Administration
5454 West 110th Street
Overland Park, Kansas 66211

FILED
NOV 7 1992
P.D. PUBLIC SERVICE COMMISSION
EFFECTIVE:

NOV 7 1992

ACCESS SERVICE

6. Switched Access Service (Cont'd)

6.1 General (Cont'd)

6.1.3 Rate Categories (Cont'd)

(B) Local Transport (Cont'd)

(2) Interface Groups (Cont'd)

(b) Interface Group 2 (Cont'd)

The interface is provided with loop supervisory signaling. When the interface is associated with FGA, such signaling will be loop start or ground start signaling. When the interface is associated with FGB, FGC or FGD, such signaling, except for two-way calling which is E&M signaling, will be reverse battery signaling.

ISSUED:
March 30, 2007

Mark D. Harper
Director - State Regulatory
5454 W. 110th Street
Overland Park, Kansas 66211

EFFECTIVE:
April 30, 2007

CANCELLED
October 19, 2009
Missouri Public
Service Commission
TN-2010-0086; JI-2010-0159

Filed
Missouri Public
Service Commission

SPRINT MISSOURI, INC.
d/b/a SPRINT

First Revised Page 154
Cancels Original Page 154

ACCESS SERVICE

6. Switched Access Service (Cont'd)

**Missouri Public
Service Commission**

6.1 General (Cont'd)

REC'D MAY 03 2000

6.1.3 Rate Categories (Cont'd)

(B) Local Transport (Cont'd)

(2) Interface Groups (Cont'd)

(b) Interface Group 2 (Cont'd)

(C)

The interface is provided with loop supervisory signaling. When the interface is associated with FGA, such signaling will be loop start or ground start signaling. When the interface is associated with FGB, FGC or FGD, such signaling, except for two-way calling which is E&M signaling, will be reverse battery signaling.

(D)

(D)

**Missouri Public
Service Commission**

FILED JUN 02 2000

UNITED TELEPHONE COMPANY
OF MISSOURI

Original Page 154

ACCESS SERVICE

6. Switched Access Service (Cont'd)

6.1 General (Cont'd)

6.1.3 Rate Categories (Cont'd)

(B) Local Transport (Cont'd)

(2) Interface Groups (Cont'd)

(b) Interface Group 2 (USOC TPP2X) (Cont'd)

The interface is provided with loop supervisory signaling. When the interface is associated with FGA, such signaling will be loop start or ground start signaling. When the interface is associated with FGB, FGC or FGD, such signaling, except for two-way calling which is E&M signaling, will be reverse battery signaling.

(c) Interface Group 3 (USOC TPP3X)

Interface Group 3 provides group level analog transmission at the point of termination at the customer's premises. The interface is capable of transmitting electrical signals between the frequencies of 60 to 108 kHz, with the capability to channelize up to 12 voice frequency transmission paths. Certain frequencies within the bandwidth of the Interface Group are reserved for Telephone Company use, e.g., pilot and carrier group alarm tones. Before the first point of switching, the Telephone Company will provide multiplex equipment to derive 12 transmission paths of frequency bandwidth of approximately 300 to 3000 Hz.

The interface is provided with individual transmission path SF supervisory signaling.

RECEIVED

SEP 17 1992

MISSOURI
Public Service Commission

CANCELLED

JUN 02 2000

By *1st RP154*
Public Service Commission
MISSOURI

FILED

NOV 7 1992

NO. PUBLIC SERVICE COMMISSION

EFFECTIVE:

NOV 7 1992

ISSUED:
September 17, 1992

BY: John L. Roe
Vice President - Administration
5454 West 110th Street
Overland Park, Kansas 66211

ACCESS SERVICE

6. Switched Access Service (Cont'd)

6.1 General (Cont'd)

6.1.3 Rate Categories (Cont'd)

(B) Local Transport (Cont'd)

(2) Interface Groups (Cont'd)

ISSUED:
March 30, 2007

Mark D. Harper
Director - State Regulatory
5454 W. 110th Street
Overland Park, Kansas 66211

EFFECTIVE:
April 30, 2007

CANCELLED
October 19, 2009
Missouri Public
Service Commission
TN-2010-0086; JI-2010-0159

Filed
Missouri Public
Service Commission

SPRINT MISSOURI, INC.
d/b/a SPRINT

First Revised Page 155
Cancels Original Page 155

ACCESS SERVICE

6. Switched Access Service (Cont'd)

6.1 General (Cont'd)

6.1.3 Rate Categories (Cont'd)

(B) Local Transport (Cont'd)

(2) Interface Groups (Cont'd)

Missouri Public
Service Commission

REC'D MAY 03 2000

(D)

Missouri Public
Service Commission

FILED JUN 02 2000

(D)

ISSUED:
May 3, 2000

Richard D. Lawson
State Executive, External Affairs

EFFECTIVE:
June 2, 2000

UNITED TELEPHONE COMPANY
OF MISSOURI

Original Page 155

ACCESS SERVICE

6. Switched Access Service (Cont'd)

6.1 General (Cont'd)

6.1.3 Rate Categories (Cont'd)

(B) Local Transport (Cont'd)

(2) Interface Groups (Cont'd)

(d) Interface Group 4 (USOC TPP4X)

Interface Group 4 provides supergroup level analog transmission at the point of termination at the customer's premises. The interface is capable of transmitting electrical signals between the frequencies of 312 to 552 kHz, with the capability to channelize up to 60 voice frequency transmission paths. Certain frequencies within the bandwidth of the Interface Group are reserved for Telephone Company use, e.g., pilot and carrier group alarm tones. Before the first point of switching, the Telephone Company will provide multiplex and channel bank equipment to derive 60 transmission paths of frequency bandwidth of approximately 300 to 3000 Hz.

The interface is provided with individual transmission path SF supervisory signaling.

(e) Interface Group 5 (USOC TPP5X)

Interface Group 5 provides mastergroup level analog transmission at the point of termination at the customer's premises. The interface is capable of transmitting electrical signals between the frequencies of 564 to 3084 kHz, with the capability to channelize up to 600 voice frequency transmission paths. Certain frequencies within the bandwidth of the Interface Group are reserved for Telephone Company use, e.g., pilot and carrier group alarm tones. Before the first

RECEIVED

SEP 17 1992

MISSOURI
Public Service Commission

CANCELLED

JUN 02 2000

By *1st RP 155*
Public Service Commission
MISSOURI

ISSUED:
September 17, 1992

BY: John L. Roe
Vice President - Administration
5454 West 110th Street
Overland Park, Kansas 66211

NO. PUBLIC SERVICE COMMISSION

EFFECTIVE:

NOV 7 1992

ACCESS SERVICE

6. Switched Access Service (Cont'd)

6.1 General (Cont'd)

6.1.3 Rate Categories (Cont'd)

(B) Local Transport (Cont'd)

(2) Interface Groups (Cont'd)

(c) Interface Group 6

Interface Group 6 provides DS1 level digital transmission at the point of termination at the customer's premises. The interface is capable of transmitting electrical signals at a nominal 1.544 Mbps, with the capability to channelize up to 24 voice frequency transmission paths. Before the first point of switching, when analog switching utilizing analog terminations is provided, the Telephone Company will provide multiplex and channel bank equipment to derive 24 transmission paths of a frequency bandwidth of approximately 300 to 3000 Hz. When digital switching or analog switching with digital carrier terminations is provided, the Telephone Company will provide, at the first point of switching, a DS1 signal in D3/D4 format.

The interface is provided with individual transmission path bit stream supervisory signaling.

ISSUED:
March 30, 2007

Mark D. Harper
Director - State Regulatory
5454 W. 110th Street
Overland Park, Kansas 66211

EFFECTIVE:
April 30, 2007

CANCELLED
October 19, 2009
Missouri Public
Service Commission
TN-2010-0086; JI-2010-0159

Filed
Missouri Public
Service Commission

SPRINT MISSOURI, INC.
d/b/a SPRINT

First Revised Page 156
Cancels Original Page 156

ACCESS SERVICE

Missouri Public
Service Commission

6. Switched Access Service (Cont'd)

REC'D MAY 03 2000

6.1 General (Cont'd)

6.1.3 Rate Categories (Cont'd)

(B) Local Transport (Cont'd)

(2) Interface Groups (Cont'd)

(D)

(D)

(c) Interface Group 6

(C)

Interface Group 6 provides DS1 level digital transmission at the point of termination at the customer's premises. The interface is capable of transmitting electrical signals at a nominal 1.544 Mbps, with the capability to channelize up to 24 voice frequency transmission paths. Before the first point of switching, when analog switching utilizing analog terminations is provided, the Telephone Company will provide multiplex and channel bank equipment to derive 24 transmission paths of a frequency bandwidth of approximately 300 to 3000 Hz. When digital switching or analog switching with digital carrier terminations is provided, the Telephone Company will provide, at the first point of switching, a DS1 signal in D3/D4 format.

The interface is provided with individual transmission path bit stream supervisory signaling.

Missouri Public
Service Commission

FILED JUN 02 2000

ISSUED:
May 3, 2000

Richard D. Lawson
State Executive, External Affairs

EFFECTIVE:
June 2, 2000

UNITED TELEPHONE COMPANY
OF MISSOURI

Original Page 156

RECEIVED

SEP 17 1992

ACCESS SERVICE

MISSOURI
Public Service Commission

6. Switched Access Service (Cont'd)

6.1 General (Cont'd)

6.1.3 Rate Categories (Cont'd)

(B) Local Transport (Cont'd)

(2) Interface Groups (Cont'd)

(e) Interface Group 5 (USOC TPP5X) (Cont'd)

point of switching, the Telephone Company will provide multiplex and channel bank equipment to derive 600 transmission paths of frequency bandwidth of approximately 300 to 3000 Hz.

The interface is provided with individual transmission path SF supervisory signaling.

(f) Interface Group 6 (USOC TPP6X)

Interface Group 6 provides DS1 level digital transmission at the point of termination at the customer's premises. The interface is capable of transmitting electrical signals at a nominal 1.544 Mbps, with the capability to channelize up to 24 voice frequency transmission paths. Before the first point of switching, when analog switching utilizing analog terminations is provided, the Telephone Company will provide multiplex and channel bank equipment to derive 24 transmission paths of a frequency bandwidth of approximately 300 to 3000 Hz. When digital switching or analog switching with digital carrier terminations is provided, the Telephone Company will provide, at the first point of switching, a DS1 signal in D3/D4 format.

The interface is provided with individual transmission path bit stream supervisory signaling.

CANCELLED

JUN 02 2000

By: *JST RP 154*
Public Service Commission
MISSOURI

NOV 7 1992

ISSUED:
September 17, 1992

BY: John L. Roe
Vice President - Administration
5454 West 110th Street
Overland Park, Kansas 66211

MO. PUBLIC SERVICE COMMISSION
EFFECTIVE:
~~October 17, 1992~~
NOV 7 1992

ACCESS SERVICE

6. Switched Access Service (Cont'd)

6.1 General (Cont'd)

6.1.3 Rate Categories (Cont'd)

(B) Local Transport (Cont'd)

(2) Interface Groups (Cont'd)

ISSUED:
March 30, 2007

Mark D. Harper
Director - State Regulatory
5454 W. 110th Street
Overland Park, Kansas 66211

EFFECTIVE:
April 30, 2007

CANCELLED
October 19, 2009
Missouri Public
Service Commission
TN-2010-0086; JI-2010-0159

Filed
Missouri Public
Service Commission

SPRINT MISSOURI, INC.
d/b/a SPRINT

First Revised Page 157
Cancels Original Page 157

ACCESS SERVICE

6. Switched Access Service (Cont'd)

6.1 General (Cont'd)

6.1.3 Rate Categories (Cont'd)

(B) Local Transport (Cont'd)

(2) Interface Groups (Cont'd)

Missouri Public
Service Commission

REC'D MAY 03 2000

(D)

(D)

Missouri Public
Service Commission

FILED JUN 02 2000

ISSUED:
May 3, 2000

Richard D. Lawson
State Executive, External Affairs

EFFECTIVE:
June 2, 2000

Cancelled
April 30, 2007
Missouri Public
Service Commission

ACCESS SERVICE

RECEIVED

6. Switched Access Service (Cont'd)

SEP 17 1992

6.1 General (Cont'd)

MISSOURI
Public Service Commission

6.1.3 Rate Categories (Cont'd)

(B) Local Transport (Cont'd)

(2) Interface Groups (Cont'd)

(g) Interface Group 7 (USOC TPP7X)

Interface Group 7 provides DS1C level digital transmission at the point of termination at the customer's premises. The interface is capable of transmitting electrical signals at a nominal 3.152 Mbps, with the capability to channelize up to 48 voice frequency transmission paths. Before the first point of switching, when analog switching utilizing analog terminations is provided, the Telephone Company will provide multiplex and channel bank equipment to derive up to 48 voice frequency transmission paths of a frequency bandwidth of approximately 300 to 3000 Hz. When digital switching or analog switching with digital carrier terminations is provided, the Telephone Company will provide, at the first point of switching, DS1 signals in D3/D4 format.

The interface is provided with individual transmission path bit stream supervisory signaling.

(h) Interface Group 8 (USOC TPP8X)

Interface Group 8 provides DS2 level digital transmission at the point of termination at the customer's premises. The interface is capable of transmitting electrical signals at a nominal 6.312 Mbps, with the capability to channelize up

CANCELLED

JUN 02 2000
By *151 R P 157*
Public Service Commission
MISSOURI

NOV 7 1992

MO. PUBLIC SERVICE COMMISSION

ISSUED:
September 17, 1992

BY: John L. Roe
Vice President - Administration
5454 West 110th Street
Overland Park, Kansas 66211

EFFECTIVE:
~~September 17, 1992~~
NOV 7 1992

ACCESS SERVICE

6. Switched Access Service (Cont'd)

6.1 General (Cont'd)

6.1.3 Rate Categories (Cont'd)

(B) Local Transport (Cont'd)

(2) Interface Groups (Cont'd)

(d) Interface Group 9

Interface Group 9 provides DS3 level digital transmission at the point of termination at the customer's premises. The interface is capable of transmitting electrical signals at a nominal 44.736 Mbps, with the capability to channelize up to 672 voice frequency transmission paths. Before the first point of switching, when analog switching utilizing analog terminations is provided, the Telephone Company will provide multiplex and channel bank equipment to derive up to 672 transmission paths of a frequency bandwidth of approximately 300 to 3000 Hz. When digital switching,

ISSUED:
March 30, 2007

Mark D. Harper
Director - State Regulatory
5454 W. 110th Street
Overland Park, Kansas 66211

EFFECTIVE:
April 30, 2007

CANCELLED
October 19, 2009
Missouri Public
Service Commission
TN-2010-0086; JI-2010-0159

Filed
Missouri Public
Service Commission

SPRINT MISSOURI, INC.
d/b/a SPRINT

First Revised Page 158
Cancels Original Page 158

ACCESS SERVICE

6. Switched Access Service (Cont'd)

6.1 General (Cont'd)

6.1.3 Rate Categories (Cont'd)

(B) Local Transport (Cont'd)

(2) Interface Groups (Cont'd)

Missouri Public
Service Commission

REC'D MAY 03 2000

(D)

(D)

(C)

(d) Interface Group 9

Interface Group 9 provides DS3 level digital transmission at the point of termination at the customer's premises. The interface is capable of transmitting electrical signals at a nominal 44.736 Mbps, with the capability to channelize up to 672 voice frequency transmission paths. Before the first point of switching, when analog switching utilizing analog terminations is provided, the Telephone Company will provide multiplex and channel bank equipment to derive up to 672 transmission paths of a frequency bandwidth of approximately 300 to 3000 Hz. When digital switching,

Missouri Public
Service Commission

FILED JUN 02 2000

ISSUED:
May 3, 2000

Richard D. Lawson
State Executive, External Affairs

EFFECTIVE:
June 2, 2000

Cancelled
April 30, 2007
Missouri Public
Service Commission

UNITED TELEPHONE COMPANY
OF MISSOURI

Original Page 158

ACCESS SERVICE

RECEIVED

6. Switched Access Service (Cont'd)

SEP 17 1992

6.1 General (Cont'd)

MISSOURI
Public Service Commission

6.1.3 Rate Categories (Cont'd)

(B) Local Transport (Cont'd)

(2) Interface Groups (Cont'd)

(h) Interface Group 8 (USOC TPP8X) (Cont'd)

to 96 voice frequency transmission paths. Before the first point of switching, when analog switching utilizing analog terminations is provided, the Telephone Company will provide multiplex and channel bank equipment in its office to derive up to 96 transmission paths of a frequency bandwidth of approximately 300 to 3000 Hz. When digital switching, or analog switching with digital carrier terminations is provided, the Telephone Company will provide, at the first point of switching, DS1 signals in D3/D4 format.

The interface is provide with individual transmission path bit stream supervisory signaling.

(i) Interface Group 9 (USOC TPP9X)

Interface Group 9 provides DS3 level digital transmission at the point of termination at the customer's premises. The interface is capable of transmitting electrical signals at a nominal 44.736 Mbps, with the capability to channelize up to 672 voice frequency transmission paths. Before the first point of switching, when analog switching utilizing analog terminations is provided, the Telephone Company will provide multiplex and channel bank equipment to derive up to 672 transmission paths of a frequency bandwidth of approximately 300 to 3000 Hz. When digital switching,

CANCELLED

JUN 02 2000
By 1st RP 158
Public Service Commission
MISSOURI

NOV 7 1992

ISSUED:
September 17, 1992

BY: John L. Roe
Vice President - Administration
5454 West 110th Street
Overland Park, Kansas 66211

MO. PUBLIC SERVICE COMMISSION
EFFECTIVE:
~~September 17, 1992~~
NOV 7 1992

ACCESS SERVICE

6. Switched Access Service (Cont'd)

6.1 General (Cont'd)

6.1.3 Rate Categories (Cont'd)

(B) Local Transport (Cont'd)

(2) Interface Groups (Cont'd)

(d) Interface Group 9 (Cont'd)

or analog switching with digital carrier terminations is provided, the Telephone Company will provide, at the first point of switching, DS1 signals in D3/D4 format.

The interface is provided with individual transmission path bit stream supervisory signaling.

ISSUED:
March 30, 2007

Mark D. Harper
Director - State Regulatory
5454 W. 110th Street
Overland Park, Kansas 66211

EFFECTIVE:
April 30, 2007

CANCELLED
October 19, 2009
Missouri Public
Service Commission
TN-2010-0086; JI-2010-0159

Filed
Missouri Public
Service Commission

SPRINT MISSOURI, INC.
d/b/a SPRINT

First Revised Page 159
Cancels Original Page 159

ACCESS SERVICE

6. Switched Access Service (Cont'd)

6.1 General (Cont'd)

6.1.3 Rate Categories (Cont'd)

(B) Local Transport (Cont'd)

(2) Interface Groups (Cont'd)

(d) Interface Group 9 (Cont'd)

(C)

or analog switching with digital carrier terminations is provided, the Telephone Company will provide, at the first point of switching, DS1 signals in D3/D4 format.

The interface is provided with individual transmission path bit stream supervisory signaling.

(D)

(D)

Missouri Public
Service Commission

REC'D MAY 03 2000

Missouri Public
Service Commission

FILED JUN 02 2000

ISSUED:
May 3, 2000

Richard D. Lawson
State Executive, External Affairs

EFFECTIVE:
June 2, 2000

UNITED TELEPHONE COMPANY
OF MISSOURI

Original Page 159

ACCESS SERVICE

RECEIVED

6. Switched Access Service (Cont'd)

SEP 17 1992

6.1 General (Cont'd)

MISSOURI
Public Service Commission

6.1.3 Rate Categories (Cont'd)

(B) Local Transport (Cont'd)

(2) Interface Groups (Cont'd)

(i) Interface Group 9 (USOC TPP9X) (Cont'd)

or analog switching with digital carrier terminations is provided, the Telephone Company will provide, at the first point of switching, DS1 signals in D3/D4 format.

The interface is provided with individual transmission path bit stream supervisory signaling.

(j) Interface Group 10 (USOC TPPAX)

Interface Group 10 provides DS4 level digital transmission at the point of termination at the customer's premises. The interface is capable of transmitting electrical signals at a nominal 274.176 Mbps, with the capability to channelize up to 4032 voice frequency transmission paths. Before the first point of switching, when analog switching utilizing analog terminations is provided, the Telephone Company will provide multiplex and channel bank equipment to derive up to 4032 transmission paths of a frequency bandwidth of approximately 300 to 3000 Hz. When digital switching or analog switching with digital carrier terminations is provided, the Telephone Company will provide, at the first point of switching, DS1 signals in D3/D4 format.

CANCELLED

JUN 02 2000
By 1st RP 159
Public Service Commission
MISSOURI

(FILED)

NOV 7 1992

MO. PUBLIC SERVICE COMMISSION

ISSUED:
September 17, 1992

BY: John L. Roe
Vice President - Administration
5454 West 110th Street
Overland Park, Kansas 66211

EFFECTIVE:
~~October 27, 1992~~
NOV 7 1992

ACCESS SERVICE

6. Switched Access Service (Cont'd)

6.1 General (Cont'd)

6.1.3 Rate Categories (Cont'd)

(B) Local Transport (Cont'd)

(2) Interface Groups (Cont'd)

(e) Available Premises Interface Codes

Following is a matrix showing, for each Interface Group, which premises interface codes are available as a function of the Telephone Company switch supervisory signaling and Feature Group. Each premises interface is identified by a specific premises interface code. Voice trunks are available with Interface Groups 1, 2, 6 and 9. Signaling links are available with Interface Groups 6 and 9. For explanations of these codes, see the Glossary of Channel Interface Codes in 7.3.1 following.

Interface Group	Telephone Company Switch Supervisory Signaling	Premises Interface Code	Feature Group			
			A	B	C	D
1	LO	2LS2	X			
	LO	2LS3	X			
	GO	2GS2	X			
	GO	2GS3	X			
	RV, EA, EB, EC	2DX3		X	X	X
	RV, EA, EB, EC	4EA2-E		X	X	X
	RV, EA, EB, EC	4EA3-E		X	X	X
	RV, EA, EB, EC	4EA2-M		X	X	X
	RV, EA, EB, EC	4EA3-M		X	X	X
	RV, EA, EB, EC	6EB2-E		X	X	X
	RV, EA, EB, EC	6EB3-E		X	X	X
	RV, EA, EB, EC	6EB2-M		X	X	X
	RV, EA, EB, EC	6EB3-M		X	X	X
	EA, EB, EC	6EC2			X	X
	EA, EB, EC	6EC3			X	X
	RV	2RV3-O		X	X	X
	RV	2RV3-T		X	X	X
	CCS	2NO2				X

ISSUED:
March 30, 2007

Mark D. Harper
Director - State Regulatory
5454 W. 110th Street
Overland Park, Kansas 66211

EFFECTIVE:
April 30, 2007

CANCELLED
October 19, 2009
Missouri Public
Service Commission
TN-2010-0086; JI-2010-0159

Filed
Missouri Public
Service Commission

SPRINT MISSOURI INC.
d/b/a SPRINT

First Revised Page 160
Cancels Original Page 160

ACCESS SERVICE

**Missouri Public
Service Commission**

6. Switched Access Service (Cont'd)

REC'D MAY 03 2000

6.1 General (Cont'd)

6.1.3 Rate Categories (Cont'd)

(B) Local Transport (Cont'd)

(2) Interface Groups (Cont'd)

(e) Available Premises Interface Codes

Following is a matrix showing, for each Interface Group, which premises interface codes are available as a function of the Telephone Company switch supervisory signaling and Feature Group. Each premises interface is identified by a specific premises interface code. Voice trunks are available with Interface Groups 1, 2, 6 and 9. Signaling links are available with Interface Groups 6 and 9. For explanations of these codes, see the Glossary of Channel Interface Codes in 7.3.1 following.

Interface Group	Telephone Company Switch Supervisory Signaling	Premises Interface Code	Feature Group			
			A	B	C	D
1	LO	2LS2	X			
	LO	2LS3	X			
	GO	2GS2	X			
	GO	2GS3	X			

**Missouri Public
Service Commission**

FILED JUN 02 2000

RV, EA, EB, EC	2DX3	X	X	X	
RV, EA, EB, EC	4EA2-E	X	X	X	
RV, EA, EB, EC	4EA3-E	X	X	X	
RV, EA, EB, EC	4EA2-M	X	X	X	
RV, EA, EB, EC	4EA3-M	X	X	X	
RV, EA, EB, EC	6EB2-E	X	X	X	
RV, EA, EB, EC	6EB3-E	X	X	X	
RV, EA, EB, EC	6EB2-M	X	X	X	
RV, EA, EB, EC	6EB3-M	X	X	X	
EA, EB, EC	6EC2		X	X	
EA, EB, EC	6EC3		X	X	
RV	2RV3-O	X	X	X	
RV	2RV3-T	X	X	X	
CCS	2NO2			X	

UNITED TELEPHONE COMPANY
OF MISSOURI

Original Page 160

ACCESS SERVICE

RECEIVED

6. Switched Access Service (Cont'd)

SEP 17 1992

6.1 General (Cont'd)

MISSOURI
Public Service Commission

6.1.3 Rate Categories (Cont'd)

(B) Local Transport (Cont'd)

(2) Interface Groups (Cont'd)

(j) Interface Group 10 (USOC TPPAX) (Cont'd)

The interface is provided with individual transmission path bit stream supervisory signaling.

(k) Available Premises Interface Codes

Following is a matrix showing, for each Interface Group, which premises interface codes are available as a function of the Telephone Company switch supervisory signaling and Feature Group. For explanations of these codes, see the Glossary of Channel Interface Codes in 7.3.1 following.

CANCELLED

JUN 02 2000
By 1st RP 160
Public Service Commission
MISSOURI

<u>Interface Group</u>	<u>Telephone Company Switch Supervisory Signaling</u>	<u>Premises Interface Code</u>	<u>Feature Group</u>			
			<u>A</u>	<u>B</u>	<u>C</u>	<u>D</u>
1	LO	2LS2	X			
	LO	2LS3	X			
	GO	2GS2	X			
	GO	2GS3	X			
	LO, GO	2DX3	X			
	LO, GO	4EA3-E	X			
	LO, GO	4EA3-M	X			
	LO, GO	6EB3-E	X			
	LO, GO	6EB3-M	X			
	RV, EA, EB, EC	2DX3		X	X	X
	RV, EA, EB, EC	4EA3-E		X	X	X
	RV, EA, EB, EC	4EA3-M		X	X	X
	RV, EA, EB, EC	6EB3-E		X	X	X
	RV, EA, EB, EC	6EB3-M		X	X	X
	EA, EB, EC	6EC3		X	X	X
	RV	2RV3-O		X	X	X
	RV	2RV3-T		X	X	X

MO. PUBLIC SERVICE COMMISSION

ISSUED:
September 17, 1992

BY: John L. Roe
Vice President - Administration
5454 West 110th Street
Overland Park, Kansas 66211

EFFECTIVE:
~~September 17, 1992~~

NOV 7 1992

ACCESS SERVICE

6. Switched Access Service (Cont'd)

6.1 General (Cont'd)

6.1.3 Rate Categories (Cont'd)

(B) Local Transport (Cont'd)

(2) Interface Groups (Cont'd)

(e) Available Premises Interface Codes (Cont'd)

<u>Interface Group</u>	<u>Telephone Company Switch Supervisory Signaling</u>	<u>Premises Interface Code</u>	<u>Feature Group</u>			
			<u>A</u>	<u>B</u>	<u>C</u>	<u>D</u>
2	LO, GO	4SF2	X			
	LO	4LS2	X			
	GO	4GS2	X			
	LO, GO	6EX2-B	X			
	RV, EA, EB, EC	4SF2		X	X	X
	RV, EA, EB, EC	4DX2		X	X	X
	RV, EA, EB, EC	6DX2			X	
	RV, EA, EB, EC	6EA2-E		X	X	X
	RV, EA, EB, EC	6EA2-M		X	X	X
	RV, EA, EB, EC	8EB2-E		X	X	X
	EA, EB, EC	8EC2-M			X	X
	RV	4RV2-O		X	X	X
	RV	4RV2-T		X	X	X
	CCS	4NO2				X

ISSUED:
March 30, 2007

Mark D. Harper
Director - State Regulatory
5454 W. 110th Street
Overland Park, Kansas 66211

EFFECTIVE:
April 30, 2007

CANCELLED
October 19, 2009
Missouri Public
Service Commission
TN-2010-0086; JI-2010-0159

Filed
Missouri Public
Service Commission

SPRINT MISSOURI, INC.
d/b/a SPRINT

First Revised Page 161
Cancels Original Page 161

ACCESS SERVICE

**Missouri Public
Service Commission**

REC'D MAY 03 2000

6. Switched Access Service (Cont'd)

6.1 General (Cont'd)

6.1.3 Rate Categories (Cont'd)

(B) Local Transport (Cont'd)

(2) Interface Groups (Cont'd)

(e) Available Premises Interface Codes (Cont'd) (T)

Interface Group	Telephone Company Switch Supervisory Signaling	Premises Interface Code	Feature Group				
			A	B	C	D	
2	LO, GO	4SF2	X				(D)
	LO	4LS2	X				(D)
							(D)
	GO	4GS2	X				(D)
							(D)
							(D)
							(D)
							(D)
							(D)
							(D)
							(D)
							(D)
							(D)
							(D)
							(D)
	LO, GO	6EX2-B	X				(D)
	RV, EA, EB, EC	4SF2		X	X	X	(D)
	RV, EA, EB, EC	4DX2		X	X	X	(D)
	RV, EA, EB, EC	6DX2			X		
	RV, EA, EB, EC	6EA2-E		X	X	X	
	RV, EA, EB, EC	6EA2-M		X	X	X	
	RV, EA, EB, EC	8EB2-E		X	X	X	
	EA, EB, EC	8EC2-M			X	X	
	RV	4RV2-O		X	X	X	
	RV	4RV2-T		X	X	X	
							(D)
							(D)
	CCS	4NO2				X	(N)

**Missouri Public
Service Commission**

FILED JUN 02 2000

ISSUED:
May 3, 2000

Richard D. Lawson
State Executive, External Affairs

EFFECTIVE:
June 2, 2000

UNITED TELEPHONE COMPANY
OF MISSOURI

Original Page 161

ACCESS SERVICE

RECEIVED

6. Switched Access Service (Cont'd)

SEP 17 1992

6.1 General (Cont'd)

MISSOURI
Public Service Commission

6.1.3 Rate Categories (Cont'd)

(B) Local Transport (Cont'd)

(2) Interface Groups (Cont'd)

(k) Available Premises Interface Codes
(Cont'd)

Interface Group	Telephone Company Switch Supervisory Signaling	Premises Interface Code	Feature Group			
			A	B	C	D
2	LO, GO	4SF2	X			
	LO, GO	4SF3	X			
	LO	4LS2	X			
	LO	4LS3	X			
	LO	6LS2	X			
	GO	4GS2	X			
	GO	4GS3	X			
	GO	6GS2	X			
	LO, GO	4DX2	X			
	LO, GO	4DX3	X			
	LO, GO	6EA2-E	X			
	LO, GO	6EA2-M	X			
	LO, GO	8EB2-E	X			
	LO, GO	8EB2-M	X			
	LO, GO	6EX2-B	X			
	RV, EA, EB, EC	4SF2		X	X	X
	RV, EA, EB, EC	4SF3		X		
	RV, EA, EB, EC	4DX2		X	X	X
	RV, EA, EB, EC	4DX3		X		
	RV, EA, EB, EC	6DX2			X	
	RV, EA, EB, EC	6EA2-E		X	X	X
	RV, EA, EB, EC	6EA2-M		X	X	X
	RV, EA, EB, EC	8EB2-E		X	X	X
	RV, EA, EB, EC	8EB2-M		X	X	X
	EA, EB, EC	8EC2-M			X	X
	RV	4RV2-O		X	X	X
	RV	4RV2-T		X	X	X
	RV	4RV3-O		X	X	
	RV	4RV3-T		X	X	

CANCELLED

JUN 02 2000

By *1st RP/61*
Public Service Commission
MISSOURI

NOV 7 1992

MO. PUBLIC SERVICE COMMISSION

ISSUED:
September 17, 1992

BY: John L. Roe
Vice President - Administration
5454 West 110th Street
Overland Park, Kansas 66211

EFFECTIVE:
~~September 17, 1992~~
NOV 7 1992

ACCESS SERVICE

6. Switched Access Service (Cont'd)

6.1 General (Cont'd)

6.1.3 Rate Categories (Cont'd)

(B) Local Transport (Cont'd)

(2) Interface Groups (Cont'd)

(e) Available Premises Interface Codes (Cont'd)

<u>Interface Group</u>	<u>Telephone Company Switch Supervisory Signaling</u>	<u>Premises Interface Code</u>	<u>Feature Group</u>			
			<u>A</u>	<u>B</u>	<u>C</u>	<u>D</u>
6	LO, GO	4DS9-15	X			
	LO, GO	4DS9-15L	X			
	RV, EA, EB, EC	4DS9-15		X	X	X
	RV, EA, EB, EC	4DS9-15L		X	X	X
	CCS	4DS9-15				X
	CCS	4DS9-1SN				X
	CCS	4DS9-1BN				X
	CCS	4DS9-1SB				X
9	LO, GO	4DS6-44	X			
	LO, GO	4DS6-44L	X			
	RV, EA, EB, EC	4DS6-44		X	X	X
	RV, EA, EB, EC	4DS6-44L		X	X	X
	CCS	4DS6-44				X

ISSUED:
March 30, 2007

Mark D. Harper
Director - State Regulatory
5454 W. 110th Street
Overland Park, Kansas 66211

EFFECTIVE:
April 30, 2007

CANCELLED
October 19, 2009
Missouri Public
Service Commission
TN-2010-0086; JI-2010-0159

Filed
Missouri Public
Service Commission

SPRINT MISSOURI, INC.
d/b/a SPRINT

First Revised Page 162
Cancels Original Page 162

ACCESS SERVICE

Missouri Public
Service Commission

6. Switched Access Service (Cont'd)

REC'D MAY 03 2000

6.1 General (Cont'd)

6.1.3 Rate Categories (Cont'd)

(B) Local Transport (Cont'd)

(2) Interface Groups (Cont'd)

(e) Available Premises Interface Codes (Cont'd) (T)

<u>Interface Group</u>	<u>Telephone Company Switch Supervisory Signaling</u>	<u>Premises Interface Code</u>	<u>Feature Group</u>				
			<u>A</u>	<u>B</u>	<u>C</u>	<u>D</u>	
							(D)
							⋮
							⋮
							⋮
							(D)
6	LO, GO	4DS9-15	X				
	LO, GO	4DS9-15L	X				
	RV, EA, EB, EC	4DS9-15		X	X	X	
	RV, EA, EB, EC	4DS9-15L		X	X	X	
	CCS	4DS9-15				X	(N)
	CCS	4DS9-1SN				X	⋮
	CCS	4DS9-1BN				X	⋮
	CCS	4DS9-1SB				X	(N)
							(D)
							⋮
							(D)
9	LO, GO	4DS6-44	X				
	LO, GO	4DS6-44L	X				
	RV, EA, EB, EC	4DS6-44		X	X	X	
	RV, EA, EB, EC	4DS6-44L		X	X	X	
	CCS	4DS6-44				X	(N)

Missouri Public
Service Commission

FILED JUN 02 2000

ISSUED:
May 3, 2000

Richard D. Lawson
State Executive, External Affairs

EFFECTIVE:
June 2, 2000

UNITED TELEPHONE COMPANY
OF MISSOURI

Original Page 162

ACCESS SERVICE

6. Switched Access Service (Cont'd)

6.1 General (Cont'd)

6.1.3 Rate Categories (Cont'd)

RECEIVED

SEP 17 1992

MISSOURI
Public Service Commission

CANCELLED

(B) Local Transport (Cont'd)

(2) Interface Groups (Cont'd)

(k) Available Premises Interface Codes
(Cont'd)

JUN 02 2000

1st RPN 2

Public Service Commission
MISSOURI

Interface Group	Telephone Company Switch Supervisory Signaling	Premises Interface Code	Feature Group			
			A	B	C	D
3	LO, GO	4AH5-B	X			
	RV, EA, EB, EC	4AH5-B		X	X	X
4	LO, GO	4AH6-C	X			
	RV, EA, EB, EC	4AH6-C		X	X	X
5	LO, GO	4AH6-D	X			
	RV, EA, EB, EC	4AH6-D		X	X	X
6	LO, GO	4DS9-15	X			
	LO, GO	4DS9-15L	X			
	RV, EA, EB, EC	4DS9-15		X	X	X
	RV, EA, EB, EC	4DS9-15L		X	X	X
7	LO, GO	4DS9-31	X			
	LO, GO	4DS9-31L	X			
	RV, EA, EB, EC	4DS9-31		X	X	X
	RV, EA, EB, EC	4DS9-31L		X	X	X
8	LO, GO	4DSO-63	X			
	LO, GO	4DSO-63L	X			
	RV, EA, EB, EC	4DSO-63		X	X	X
	RV, EA, EB, EC	4DSO-63L		X	X	X
9	LO, GO	4DS6-44	X			
	LO, GO	4DS6-44L	X			
	RV, EA, EB, EC	4DS6-44		X	X	X
	RV, EA, EB, EC	4DS6-44L		X	X	X

FILED

NOV 7 1992

MO. PUBLIC SERVICE COMMISSION

EFFECTIVE:

ISSUED:
September 17, 1992

BY: John L. Roe
Vice President - Administration
5454 West 110th Street
Overland Park, Kansas 66211

NOV 7 1992

ACCESS SERVICE

6. Switched Access Service (Cont'd)

6.1 General (Cont'd)

6.1.3 Rate Categories (Cont'd)

(B) Local Transport (Cont'd)

ISSUED:
March 30, 2007

Mark D. Harper
Director - State Regulatory
5454 W. 110th Street
Overland Park, Kansas 66211

EFFECTIVE:
April 30, 2007

CANCELLED
October 19, 2009
Missouri Public
Service Commission
TN-2010-0086; JI-2010-0159

Filed
Missouri Public
Service Commission

SPRINT MISSOURI, INC.
d/b/a SPRINT

First Revised Page 163
Cancels Original Page 163

ACCESS SERVICE

Missouri Public
Service Commission

REC'D MAY 03 2000

- 6. Switched Access Service (Cont'd)
 - 6.1 General (Cont'd)
 - 6.1.3 Rate Categories (Cont'd)
 - (B) Local Transport (Cont'd)

(D)

(D)

Missouri Public
Service Commission

FILED JUN 02 2000

ISSUED:
May 3, 2000

Richard D. Lawson
State Executive, External Affairs

EFFECTIVE:
June 2, 2000

UNITED TELEPHONE COMPANY
OF MISSOURI

Original Page 163

ACCESS SERVICE

6. Switched Access Service (Cont'd)

6.1 General (Cont'd)

6.1.3 Rate Categories (Cont'd)

(B) Local Transport (Cont'd)

(2) Interface Groups (Cont'd)

(k) Available Premises Interface Codes
(Cont'd)

RECEIVED
SEP 17 1992
MISSOURI
Public Service Commission

Interface Group	Telephone Company Switch Supervisory Signaling	Premises Interface Code	Feature Group			
			A	B	C	D
10	LO, GO	4DS6-27	X			
	LO, GO	4DS6-27L	X			
	RV, EA, EB, EC	4DS6-27		X	X	X
	RV, EA, EB, EC	4DS6-27L		X	X	X

CANCELLED

JUN 02 2000
By 1st RP 163
Public Service Commission
MISSOURI

FILED
NOV 7 1992
MO. PUBLIC SERVICE COMMISSION

ISSUED:
September 17, 1992

BY: John L. Roe
Vice President - Administration
5454 West 110th Street
Overland Park, Kansas 66211

EFFECTIVE:
~~September 17, 1992~~
NOV 7 1992

ACCESS SERVICE

6. Switched Access Service (Cont'd)

6.1 General (Cont'd)

6.1.3 Rate Categories (Cont'd)

(B) Local Transport (Cont'd)

(3) Nonchargeable Optional Features

Where transmission facilities permit, the Telephone Company will, at the option of the customer, provide the following optional features in association with the Interface Groups 1, 2, 6 and 9 preceding. Only those Interface Groups referenced with each optional feature will be provided with that feature.

(a) Supervisory Signaling

Where the transmission parameters permit, and where signaling conversion is required by the customer to meet its signaling capability, the customer may order an optional supervisory signaling arrangement for each transmission path provided as follows:

- For Interface Groups 1 and 2
DM Supervisory Signaling,
E&M Type I Supervisory Signaling,
E&M Type II Supervisory Signaling, or
E&M Type III Supervisory Signaling
- For Interface Group 2
SF Supervisory Signaling, or
Tandem Supervisory Signaling

ISSUED:
March 30, 2007

Mark D. Harper
Director - State Regulatory
5454 W. 110th Street
Overland Park, Kansas 66211

EFFECTIVE:
April 30, 2007

CANCELLED
October 19, 2009
Missouri Public
Service Commission
TN-2010-0086; JI-2010-0159

Filed
Missouri Public
Service Commission

SPRINT MISSOURI, INC.
d/b/a SPRINT

Second Revised Page 164
Cancels First Revised Page 164

ACCESS SERVICE

Missouri Public

6. Switched Access Service (Cont'd)

REC'D JAN 07 2002

6.1 General (Cont'd)

Service Commission

6.1.3 Rate Categories (Cont'd)

(B) Local Transport (Cont'd)

(3) Nonchargeable Optional Features

Where transmission facilities permit, the Telephone Company will, at the option of the customer, provide the following optional features in association with the Interface Groups **1, 2, 6 and 9** preceding. Only those Interface Groups referenced with each optional feature will be provided with that feature.

(T)

(a) Supervisory Signaling

Where the transmission parameters permit, and where signaling conversion is required by the customer to meet its signaling capability, the customer may order an optional supervisory signaling arrangement for each transmission path provided as follows:

- For Interface Groups 1 and 2
DM Supervisory Signaling,
E&M Type I Supervisory Signaling,
E&M Type II Supervisory Signaling, or
E&M Type III Supervisory Signaling
- For Interface Group 2
SF Supervisory Signaling, or
Tandem Supervisory Signaling

Missouri Public

FILED FEB 07 2002

Service Commission

ISSUED:
January 7, 2002

Richard D. Lawson
State Executive, External Affairs
319 Madison
Jefferson City, MO 65101

EFFECTIVE:
February 7, 2002

SPRINT MISSOURI, INC.
d/b/a SPRINT

First Revised Page 164
Cancels Original Page 164

ACCESS SERVICE

**Missouri Public
Service Commission**

REC'D MAY 03 2000

6. Switched Access Service (Cont'd)

6.1 General (Cont'd)

6.1.3 Rate Categories (Cont'd)

(B) Local Transport (Cont'd)

(3) Nonchargeable Optional Features

Where transmission facilities permit, the Telephone Company will, at the option of the customer, provide the following optional features in association with the Interface Groups listed in (1) through (9) preceding. Only those Interface Groups referenced with each optional feature will be provided with that feature.

(T)

(a) Supervisory Signaling

Where the transmission parameters permit, and where signaling conversion is required by the customer to meet its signaling capability, the customer may order an optional supervisory signaling arrangement for each transmission path provided as follows:

- For Interface Groups 1 and 2

DM Supervisory Signaling,
E&M Type I Supervisory Signaling,
E&M Type II Supervisory Signaling, or
E&M Type III Supervisory Signaling

- For Interface Group 2

SF Supervisory Signaling, or
Tandem Supervisory Signaling

CANCELLED

FEB 07 2002

2ND RP 164

**Public Service Commission
MISSOURI**

**Missouri Public
Service Commission**

FILED JUN 02 2000

ISSUED:
May 3, 2000

Richard D. Lawson
State Executive, External Affairs

EFFECTIVE:
June 2, 2000

UNITED TELEPHONE COMPANY
OF MISSOURI

Original Page 164

ACCESS SERVICE

RECEIVED

6. Switched Access Service (Cont'd)

SEP 17 1992

6.1 General (Cont'd)

MISSOURI
Public Service Commission

6.1.3 Rate Categories (Cont'd)

(B) Local Transport (Cont'd)

(3) Nonchargeable Optional Features

Where transmission facilities permit, the Telephone Company will, at the option of the customer, provide the following optional features in association with the Interface Groups listed in (1) through (10) preceding. Only those Interface Groups referenced with each optional feature will be provided with that feature.

(a) Supervisory Signaling

Where the transmission parameters permit, and where signaling conversion is required by the customer to meet its signaling capability, the customer may order an optional supervisory signaling arrangement for each transmission path provided as follows:

- For Interface Groups 1 and 2

DM Supervisory Signaling,
E&M Type I Supervisory Signaling,
E&M Type II Supervisory Signaling,
or
E&M Type III Supervisory Signaling

- For Interface Group 2

SF Supervisory Signaling, or
Tandem Supervisory Signaling

CANCELLED

JUN 02 2000
By *1st RP 164*
Public Service Commission
MISSOURI

FILED

NOV 7 1992

MO. PUBLIC SERVICE COMMISSION

EFFECTIVE:

~~SEPTEMBER 17, 1992~~

NOV 7 1992

ISSUED:
September 17, 1992

BY: John L. Roe
Vice President - Administration
5454 West 110th Street
Overland Park, Kansas 66211

ACCESS SERVICE

6. Switched Access Service (Cont'd)

6.1 General (Cont'd)

6.1.3 Rate Categories (Cont'd)

(B) Local Transport (Cont'd)

(3) Nonchargeable Optional Features (Cont'd)

(a) Supervisory Signaling (Cont'd)

- For Interface Groups 6 and 9

These Interface Groups may, at the option of the customer, be provided with individual transmission path SF supervisory signaling where such signaling is available in Telephone Company central offices. Generally such signaling is available only where the entry switch provides an analog, i.e., non digital, interface to the transport termination and a portion of the facility between the analog entry switch and the customer's premises is analog.

(b) Improved Return Loss

This feature provides Improved Return Loss, expressed as Echo Return Loss and Singing Return Loss, on two-wire ports of a four-wire point of termination. The specific parameters guaranteed are set forth in 6.4.1 following. This feature is available with all Feature Groups.

(4) Chargeable Optional Features

(a) Provision of Other Than Telephone Company Selected Traffic Routing

This option allows the customer to specify a particular traffic routing for trunk groups in lieu of Telephone Company selected routing, i.e., the customer may specify that the routing be on a direct trunk basis or via an access tandem. It is available with Feature Groups B, C, D, Interim 500, TFC and 900 Access Service.

ISSUED:
March 30, 2007

Mark D. Harper
Director - State Regulatory
5454 W. 110th Street
Overland Park, Kansas 66211

EFFECTIVE:
April 30, 2007

SPRINT MISSOURI, INC.
d/b/a SPRINT

Third Revised Page 165
Cancels Second Revised Page 165

ACCESS SERVICE

6. Switched Access Service (Cont'd)

6.1 General (Cont'd)

6.1.3 Rate Categories (Cont'd)

(B) Local Transport (Cont'd)

(3) Nonchargeable Optional Features (Cont'd)

(a) Supervisory Signaling (Cont'd)

- For Interface Groups 6 and 9

(C)

These Interface Groups may, at the option of the customer, be provided with individual transmission path SF supervisory signaling where such signaling is available in Telephone Company central offices. Generally such signaling is available only where the entry switch provides an analog, i.e., non digital, interface to the transport termination and a portion of the facility between the analog entry switch and the customer's premises is analog.

(b) Improved Return Loss

This feature provides Improved Return Loss, expressed as Echo Return Loss and Singing Return Loss, on two-wire ports of a four-wire point of termination. The specific parameters guaranteed are set forth in 6.4.1 following. This feature is available with all Feature Groups.

(4) Chargeable Optional Features

(a) Provision of Other Than Telephone Company Selected Traffic Routing

This option allows the customer to specify a particular traffic routing for trunk groups in lieu of Telephone Company selected routing, i.e., the customer may specify that the routing be on a direct trunk basis or via an access tandem. It is available with Feature Groups B, C, D, Interim 500, TFC and 900 Access Service.

Missouri Public
Service Commission

REC'D MAY 03 2000

Missouri Public
Service Commission

FILED JUN 02 2000

ISSUED:
May 3, 2000

Richard D. Lawson
State Executive, External Affairs

EFFECTIVE:
June 2, 2000

Cancelled
April 30, 2007
Missouri Public
Service Commission

ACCESS SERVICE

RECEIVED

6. Switched Access Service (Cont'd)

MAR 27 1996

6.1 General (Cont'd)

6.1.3 Rate Categories (Cont'd)

MISSOURI
Public Service Commission

(B) Local Transport (Cont'd)

(3) Nonchargeable Optional Features (Cont'd)

(a) Supervisory Signaling (Cont'd)

- For Interface Groups 6 through 10

These Interface Groups may, at the option of the customer, be provided with individual transmission path SF supervisory signaling where such signaling is available in Telephone Company central offices. Generally such signaling is available only where the entry switch provides an analog, i.e., non digital, interface to the transport termination and a portion of the facility between the analog entry switch and the customer's premises is analog.

(b) Improved Return Loss

This feature provides Improved Return Loss, expressed as Echo Return Loss and Singing Return Loss, on two-wire ports of a four-wire point of termination. The specific parameters guaranteed are set forth in 6.4.1 following. This feature is available with all Feature Groups.

(4) Chargeable Optional Features

(a) Provision of Other Than Telephone Company Selected Traffic Routing

This option allows the customer to specify a particular traffic routing for trunk groups in lieu of Telephone Company selected routing, i.e., the customer may specify that the routing be on a direct trunk basis or via an access tandem. It is available with Feature Groups B, C, D, Interim 500, TFC and 900 Access Service. (T)

CANCELLED

JUN 02 2000
By 3rd RP 165
Public Service Commission
MISSOURI

FILED

APR 29 1996

MO. PUBLIC SERVICE COMM

ISSUED:
March 27, 1996

BY: John L. Roe
Vice President - Carrier and Regulatory Services
5454 West 110th Street
Overland Park, Kansas 66211

EFFECTIVE:
April 29, 1996

ACCESS SERVICE

RECEIVED

6. Switched Access Service (Cont'd)

JAN 11 1995

6.1 General (Cont'd)

6.1.3 Rate Categories (Cont'd)

(B) Local Transport (Cont'd)

MO. PUBLIC SERVICE COMM.

(3) Nonchargeable Optional Features (Cont'd)

(a) Supervisory Signaling (Cont'd)

- For Interface Groups 6 through 10

These Interface Groups may, at the option of the customer, be provided with individual transmission path SF supervisory signaling where such signaling is available in Telephone Company central offices. Generally such signaling is available only where the entry switch provides an analog, i.e., non digital, interface to the transport termination and a portion of the facility between the analog entry switch and the customer's premises is analog.

(b) Improved Return Loss

This feature provides Improved Return Loss, expressed as Echo Return Loss and Singing Return Loss, on two-wire ports of a four-wire point of termination. The specific parameters guaranteed are set forth in 6.4.1 following. This feature is available with all Feature Groups.

(4) Chargeable Optional Features

(a) Provision of Other Than Telephone Company Selected Traffic Routing

This option allows the customer to specify a particular traffic routing for trunk groups in lieu of Telephone Company selected routing, i.e., the customer may specify that the routing be on a direct trunk basis or via an access tandem. It is available with Feature Groups B, C, D, Interim 500, 800 and 900 Access Service.

(C)

CANCELLED

FILED

APR 29 1995
BY 2nd R.S. #165
Public Service Commission
MISSOURI

FEB 11 1995

MISSOURI
Public Service Commission

ISSUED:
January 11, 1995

BY: John L. Roe
Vice President - Carrier and Regulatory Services
5454 West 110th Street
Overland Park, Kansas 66211

EFFECTIVE:
February 11, 1995

UNITED TELEPHONE COMPANY
OF MISSOURI

Original Page 165

RECEIVED

SEP 17 1992

MISSOURI
Public Service Commission

ACCESS SERVICE

6. Switched Access Service (Cont'd)

6.1 General (Cont'd)

6.1.3 Rate Categories (Cont'd)

(B) Local Transport (Cont'd)

(3) Nonchargeable Optional Features (Cont'd)

(a) Supervisory Signaling (Cont'd)

- For Interface Groups 6 through 10

These Interface Groups may, at the option of the customer, be provided with individual transmission path SF supervisory signaling where such signaling is available in Telephone Company central offices. Generally such signaling is available only where the entry switch provides an analog, i.e., non digital, interface to the transport termination and a portion of the facility between the analog entry switch and the customer's premises is analog.

(b) Improved Return Loss

This feature provides Improved Return Loss, expressed as Echo Return Loss and Singing Return Loss, on two-wire ports of a four-wire point of termination. The specific parameters guaranteed are set forth in 6.4.1 following. This feature is available with all Feature Groups.

(4) Chargeable Optional Features

(a) Provision of Other Than Telephone Company Selected Traffic Routing

This option allows the customer to specify a particular traffic routing for trunk groups in lieu of Telephone Company selected routing, i.e., the customer may specify that the routing be on a direct trunk basis or via an access tandem. It is available with Feature Groups B, C and D.

CANCELLED

FEB 11 1995
BY let RS # 165
Public Service Commission
MISSOURI

NOV 7 1992

MO. PUBLIC SERVICE COMMISSION

ISSUED:
September 17, 1992

BY: John L. Roe
Vice President - Administration
5454 West 110th Street
Overland Park, Kansas 66211

EFFECTIVE:
~~September 17, 1992~~
NOV 7 1992

ACCESS SERVICE

6. Switched Access Service (Cont'd)

6.1 General (Cont'd)

6.1.3 Rate Categories (Cont'd)

(B) Local Transport (Cont'd)

(4) Chargeable Optional Features (Cont'd)

(b) Customer Specification of Feature Group Directionality

This option allows the customer to specify that the operation of a trunk group will be one-way originating or terminating calling in lieu of Telephone Company selected two-way calling or, alternatively, that operation will be two-way calling in lieu of Telephone Company selected one-way calling. It is available with Feature Groups B, C and D.

(c) Customer Specification of Local Transport Termination

This option allows the customer to specify, for Feature Group B routed directly to an end office or access tandem, a four-wire termination of the Local Transport at the entry switch in lieu of a Telephone Company selected two-wire termination. This option is available only when the Feature Group B arrangement is provided with Type B Transmission Specifications.

These options are rated on an individual case basis with both nonrecurring charges and monthly recurring rates applying.

(C) Local Switching

The Local Switching rate category provides the local end office switching and end user termination functions necessary to complete the transmission of Switched Access communications to and from the end users served by the local end office. The intercept function informs a caller why a call, as dialed, could not be completed, and if possible, provides the caller with information required to complete the call.

Directory Assistance Service and the applicable rates for it are set forth in Section 9, following.

ISSUED:
March 30, 2007

Mark D. Harper
Director - State Regulatory
5454 W. 110th Street
Overland Park, Kansas 66211

EFFECTIVE:
April 30, 2007

ACCESS SERVICE

6. Switched Access Service (Cont'd)

6.1 General (Cont'd)

6.1.3 Rate Categories (Cont'd)

(B) Local Transport (Cont'd)

(4) Chargeable Optional Features (Cont'd)

(b) Customer Specification of Feature Group Directionality

This option allows the customer to specify that the operation of a trunk group will be one-way originating or terminating calling in lieu of Telephone Company selected two-way calling or, alternatively, that operation will be two-way calling in lieu of Telephone Company selected one-way calling. It is available with Feature Groups B, C and D.

(c) Customer Specification of Local Transport Termination

This option allows the customer to specify, for Feature Group B routed directly to an end office or access tandem, a four-wire termination of the Local Transport at the entry switch in lieu of a Telephone Company selected two-wire termination. This option is available only when the Feature Group B arrangement is provided with Type B Transmission Specifications.

These options are rated on an individual case basis with both nonrecurring charges and monthly recurring rates applying.

(C) Local Switching

The Local Switching rate category provides the local end office switching and end user termination functions necessary to complete the transmission of Switched Access communications to and from the end users served by the local end office. The intercept function informs a caller why a call, as dialed, could not be completed, and if possible, provides the caller with information required to complete the call.

Directory Assistance Service and the applicable rates for it are set forth in Section 9, following.

ISSUED:
November 3, 1993

BY: John L. Roe
Vice President - Administration
5454 West 110th Street
Overland Park, Kansas 66211

FILED
93 - 181
NOV 7 1993

EFFECTIVE:
November 7, 1993

MO. PUBLIC SERVICE COMM.

UNITED TELEPHONE COMPANY
OF MISSOURI

Original Page 166

ACCESS SERVICE

RECEIVED

6. Switched Access Service (Cont'd)

SEP 17 1992

6.1 General (Cont'd)

MISSOURI
Public Service Commission

6.1.3 Rate Categories (Cont'd)

(B) Local Transport (Cont'd)

(4) Chargeable Optional Features (Cont'd)

(b) Customer Specification of Feature Group Directionality

This option allows the customer to specify that the operation of a trunk group will be one-way originating or terminating calling in lieu of Telephone Company selected two-way calling or, alternatively, that operation will be two-way calling in lieu of Telephone Company selected one-way calling. It is available with Feature Groups B, C and D.

CANCELLED

NOV 7 1993
BY *[Signature]* P.S. # 166
Public Service Commission
MISSOURI

(c) Customer Specification of Local Transport Termination

This option allows the customer to specify, for Feature Group B routed directly to an end office or access tandem, a four-wire termination of the Local Transport at the entry switch in lieu of a Telephone Company selected two-wire termination. This option is available only when the Feature Group B arrangement is provided with Type B Transmission Specifications.

These options are rated on an individual case basis with both nonrecurring charges and monthly recurring rates applying.

(C) End Office

The End Office rate category provides the local end office switching and end user termination functions necessary to complete the transmission of Switched Access communications to and from the end users served by the local end office. The End Office rate category includes the Local Switching.

NOV 7 1992
M.O. PUBLIC SERVICE COMMISSION

ISSUED:
September 17, 1992

BY: John L. Roe
Vice President - Administration
5454 West 110th Street
Overland Park, Kansas 66211

EFFECTIVE:
~~September 1992~~
NOV 7 1992

ACCESS SERVICE

6. Switched Access Service (Cont'd)

6.1 General (Cont'd)

6.1.3 Rate Categories (Cont'd)

(C) Local Switching (Cont'd)

ISSUED:
March 30, 2007

Mark D. Harper
Director - State Regulatory
5454 W. 110th Street
Overland Park, Kansas 66211

EFFECTIVE:
April 30, 2007

CANCELLED
October 19, 2009
Missouri Public
Service Commission
TN-2010-0086; JI-2010-0159

Filed
Missouri Public
Service Commission

UNITED TELEPHONE COMPANY
OF MISSOURI

First Revised Page 167
Cancels Original Page 167

ACCESS SERVICE

6. Switched Access Service (Cont'd)

6.1 General (Cont'd)

6.1.3 Rate Categories (Cont'd)

(C) Local Switching (Cont'd)

FILED

NOV 3 1993

(T)
(D)

FILED

NOV 7 1993

43-181
MO. PUBLIC SERVICE COMM.

(D)

ISSUED:
November 3, 1993

BY: John L. Roe
Vice President - Administration
5454 West 110th Street
Overland Park, Kansas 66211

EFFECTIVE:
November 7, 1993

UNITED TELEPHONE COMPANY
OF MISSOURI

Original Page 167

ACCESS SERVICE

RECEIVED

6. Switched Access Service (Cont'd)

SEP 17 1992

6.1 General (Cont'd)

MISSOURI
Public Service Commission

6.1.3 Rate Categories (Cont'd)

(C) End Office (Cont'd)

Line Termination, Intercept and Information (i.e., Directory Assistance) rate elements. Directory Assistance Service and the applicable rates for it are set forth in Section 9. following.

(1) Local Switching

The Local Switching rate element provides for the use of end office switching equipment. It is divided into two distinct categories, i.e., LS1 and LS2. The first category, LS1, provides local dial switching for Feature Groups A and B. The second category, LS2, provides local dial switching for Feature Groups C and D.

LS1 for originating and terminating Feature Groups A and B, except when FGA or FGB is used to terminate calls to WATS Access Line Service;

LS2 for originating and terminating Feature Groups C and D, and for FGA and FGB when used to terminate calls to WATS Access Line Service;

CANCELLED

NOV 7 1992
BY Lat R.S. #167
Public Service Commission
MISSOURI

FILED

NOV 7 1992

MO. PUBLIC SERVICE COMMISSION
EFFECTIVE:

~~October 20, 1992~~

NOV 7 1992

ISSUED:
September 17, 1992

BY: John L. Roe
Vice President - Administration
5454 West 110th Street
Overland Park, Kansas 66211

ACCESS SERVICE

6. Switched Access Service (Cont'd)

6.1 General (Cont'd)

6.1.3 Rate Categories (Cont'd)

(C) Local Switching (Cont'd)

(1) Local Switching (Cont'd)

ISSUED:
March 30, 2007

Mark D. Harper
Director - State Regulatory
5454 W. 110th Street
Overland Park, Kansas 66211

EFFECTIVE:
April 30, 2007

CANCELLED
October 19, 2009
Missouri Public
Service Commission
TN-2010-0086; JI-2010-0159

Filed
Missouri Public
Service Commission

ACCESS SERVICE

6. Switched Access Service (Cont'd)

6.1 General (Cont'd)

6.1.3 Rate Categories (Cont'd)

(C) Local Switching (Cont'd)

(1) Local Switching (Cont'd)

FILED

NOV 9 1993

MISSOURI PUBLIC SERVICE COMMISSION

(T)

(D)

FILED

NOV 7 1993
93 - 181
MO. PUBLIC SERVICE COMM.

ISSUED:
November 3, 1993

BY: John L. Roe
Vice President - Administration
5454 West 110th Street
Overland Park, Kansas 66211

EFFECTIVE:
November 7, 1993

(C)

ACCESS SERVICE

RECEIVED

6. Switched Access Service (Cont'd)

SEP 17 1992

6.1 General (Cont'd)

MISSOURI
Public Service Commission

6.1.3 Rate Categories (Cont'd)

(C) End Office (Cont'd)

(1) Local Switching (Cont'd)

Rates for LS1 and LS2 are set forth in 6.8.3(A) following. The application of these rates with respect to individual Feature Groups is as set forth in 6.7.1(D) following.

There are two types of local switching functions, i.e., Common Switching functions and Transport Termination functions. These are described in (a) and (b) following.

(a) Common Switching

Common Switching provides the local end office switching functions associated with the various access (i.e., Feature Group) switching arrangements. The Common Switching arrangements provided for the various Feature Group arrangements are described in 6.2 following.

Included as part of Common Switching are various optional features which the customer can order to meet its specific communications requirements. These optional features are described in 6.3.1 following.

(b) Transport Termination

Transport Termination provides for the line or trunk side arrangements which terminate the Local Transport facilities. Included as part of Transport Termination are various nonchargeable optional termination arrangements. These optional terminating arrangements are described in 6.3.2 following.

CANCELLED

NOV 7 1993
BY 1st R.S. #168
Public Service Commission
MISSOURI

FILED

NOV 7 1992

ISSUED:
September 17, 1992

BY: John L. Roe
Vice President - Administration
5454 West 110th Street
Overland Park, Kansas 66211

MO. PUBLIC SERVICE COMMISSION
EFFECTIVE: 9/17/92

NOV 7 1992

ACCESS SERVICE

- 6. Switched Access Service (Cont'd)
 - 6.1 General (Cont'd)
 - 6.1.3 Rate Categories (Cont'd)
 - (C) Local Switching (Cont'd)

ISSUED:
March 30, 2007

Mark D. Harper
Director - State Regulatory
5454 W. 110th Street
Overland Park, Kansas 66211

EFFECTIVE:
April 30, 2007

CANCELLED
October 19, 2009
Missouri Public
Service Commission
TN-2010-0086; JI-2010-0159

Filed
Missouri Public
Service Commission

UNITED TELEPHONE COMPANY
OF MISSOURI

First Revised Page 169
Cancels Original Page 169

ACCESS SERVICE

6. Switched Access Service (Cont'd)

6.1 General (Cont'd)

6.1.3 Rate Categories (Cont'd)

(C) Local Switching (Cont'd)

NOV 9 1993

NOV 7 1993

(T)

(D)

FILED

NOV 7 1993
93 - 181
MO. PUBLIC SERVICE COMM.

(D)

ISSUED:
November 3, 1993

BY: John L. Roe
Vice President - Administration
5454 West 110th Street
Overland Park, Kansas 66211

EFFECTIVE:
November 7, 1993

UNITED TELEPHONE COMPANY
OF MISSOURI

Original Page 169

ACCESS SERVICE

6. Switched Access Service (Cont'd)

6.1 General (Cont'd)

6.1.3 Rate Categories (Cont'd)

(C) End Office (Cont'd)

(1) Local Switching (Cont'd)

(b) Transport Termination (Cont'd)

The number of Transport Terminations provided will be determined by the Telephone Company as set forth in 6.5.6 following.

(2) Line Termination

The Line Termination rate element provides the terminations for the end user lines terminating in the local end office. There are two types of Line Terminations, (i.e., Common Line Terminations and WATS Access Line terminations).

The WATS Access Line terminations are differentiated by line side vs. trunk side terminations. The standard WATS Access Line arrangement is available with a line side termination. There are various types of originating and terminating line side terminations depending on the type signaling associated with the WATS Access Line (i.e., loop start or ground start). Line side terminations are available with either dial pulse or dual tone multifrequency address signaling.

Line Termination rates are as set forth in 6.8.3(B) following. The application of these rates with respect to individual Feature Groups is as set forth in 6.7.1(D) following.

RECEIVED

SEP 17 1992

MISSOURI
Public Service Commission

CANCELLED

NOV 7 1993
BY 1st R.S. #169
Public Service Commission
MISSOURI

FILED

NOV 7 1992

MO. PUBLIC SERVICE COMMISSION

EFFECTIVE:

~~September 17, 1992~~
NOV 7 1992

ISSUED:
September 17, 1992

BY: John L. Roe
Vice President - Administration
5454 West 110th Street
Overland Park, Kansas 66211

ACCESS SERVICE

6. Switched Access Service (Cont'd)

6.1 General (Cont'd)

6.1.3 Rate Categories (Cont'd)

(D) Toll Free Code (TFC) Access Service

The TFC Access Service Data Base Query Charge, as set forth in Section 6.8.4(A) following, will apply for each TFC call query received at the Telephone Company's TFC data base. Per query charges will be accumulated over a monthly period and billed to the customer on a monthly basis.

Included as a part of TFC Access Service are various optional service features, described in Section 6.2.5 following, which the customer may specify to meet its specific requirements. The rates for the TFC Data Base Optional Service Features are set forth in Section 6.8.4(B) following and will apply on a per query basis. When a combination of one or more optional service features is specified, only one such charge shall apply. Per query service option charges will be accumulated over a monthly period and billed to the customer on a monthly basis.

(E) 900 Access Service Nonrecurring Charges

The 900 Access Service nonrecurring charge is assessed depending upon how the service is ordered:

- (1) If the service is ordered for the state or LATA, the customer charge for the assembly of route tables is assessed for each end office the Telephone Company serves in the state or LATA. A second nonrecurring charge element applies per NXX activated or deactivated, times the number of Telephone Company access tandems or end offices modified to perform six digit screening for 900 Access Service.
- (2) The second alternative allows for the service to be ordered to only one access tandem or end office performing six digit screening. The customer charge for the assembly of route tables is assessed for each end office subtending the access tandem (including a collocated end office, if applicable). A second nonrecurring charge element applies per NXX activated or deactivated, times the designated Telephone Company access tandem(s) or end office(s) modified to perform six digit screening for 900 Access Service. This option can be applied repetitively to different tandems to customize the intended offering area.

ISSUED:
March 30, 2007

Mark D. Harper
Director - State Regulatory
5454 W. 110th Street
Overland Park, Kansas 66211

EFFECTIVE:
April 30, 2007

RECEIVED

ACCESS SERVICE

6. Switched Access Service (Cont'd)

MAR 27 1996

6.1 General (Cont'd)

6.1.3 Rate Categories (Cont'd)

MISSOURI
Public Service Commission

(D) Toll Free Code (TFC) Access Service

The TFC Access Service Data Base Query Charge, as set forth in Section 6.8.4(A) following, will apply for each TFC call query received at the Telephone Company's TFC data base. Per query charges will be accumulated over a monthly period and billed to the customer on a monthly basis.

(T)

(T)

(T)

Included as a part of TFC Access Service are various optional service features, described in Section 6.2.5 following, which the customer may specify to meet its specific requirements. The rates for the TFC Data Base Optional Service Features are set forth in Section 6.8.4(B) following and will apply on a per query basis. When a combination of one or more optional service features is specified, only one such charge shall apply. Per query service option charges will be accumulated over a monthly period and billed to the customer on a monthly basis.

(T)

(E) 900 Access Service Nonrecurring Charges

The 900 Access Service nonrecurring charge is assessed depending upon how the service is ordered:

(1) If the service is ordered for the state or LATA, the customer charge for the assembly of route tables is assessed for each end office the Telephone Company serves in the state or LATA. A second nonrecurring charge element applies per NXX activated or deactivated, times the number of Telephone Company access tandems or end offices modified to perform six digit screening for 900 Access Service.

(2) The second alternative allows for the service to be ordered to only one access tandem or end office performing six digit screening. The customer charge for the assembly of route tables is assessed for each end office subtending the access tandem (including a collocated end office, if applicable). A second nonrecurring charge element applies per NXX activated or deactivated, times the designated Telephone Company access tandem(s) or end office(s) modified to perform six digit screening for 900 Access Service. This option can be applied repetitively to different tandems to customize the intended offering area.

APR 29 1996

ISSUED:
March 27, 1996

BY: John L. Roe
Vice President - Carrier and Regulatory Services
5454 West 110th Street
Overland Park, Kansas 66211

EFFECTIVE:
April 29, 1996

ACCESS SERVICE

6. Switched Access Service (Cont'd)

RECEIVED

6.1 General (Cont'd)

6.1.3 Rate Categories (Cont'd)

JAN 11 1995

(D) 800 Access Service

The 800 Access Service Data Base Query Charges are set forth in Section 6.8.4(A) following, will apply for each 800 call query received at the Telephone Company's 800 data base. Per query charges will be accumulated over a monthly period and billed to the customer on a monthly basis.

Included as a part of 800 Access Service are various optional service features, described in Section 6.2.5 following, which the customer may specify to meet its specific requirements. The rates for the 800 Data Base Optional Service Features are set forth in Section 6.8.4(B) following and will apply on a per query basis. When a combination of one or more optional service features is specified, only one such charge shall apply. Per query service option charges will be accumulated over a monthly period and billed to the customer on a monthly basis.

(E) 900 Access Service Nonrecurring Charges

The 900 Access Service nonrecurring charge is assessed depending upon how the service is ordered:

- (1) If the service is ordered for the state or LATA, the customer charge for the assembly of route tables is assessed for each end office the Telephone Company serves in the state or LATA. A second nonrecurring charge element applies per NXX activated or deactivated, times the number of Telephone Company access tandems or end offices modified to perform six digit screening for 900 Access Service.
- (2) The second alternative allows for the service to be ordered to only one access tandem or end office performing six digit screening. The customer charge for the assembly of route tables is assessed for each end office subtending the access tandem (including a collocated end office, if applicable). A second nonrecurring charge element applies per NXX activated or deactivated, times the designated Telephone Company access tandem(s) or end office(s) modified to perform six digit screening for 900 Access Service. This option can be applied repetitively to different tandems to customize the intended offering area.

(N)

(N)

CANCELLED

FILED

FEB 11 1995

ISSUED:
January 11, 1995

APR 29 1995
BY 4th R.S. #170
Public Service Commission
Vice President - Carrier Regulatory Services
5454 West 110th Street
Overland Park, Kansas 66211

MISSOURI
Public Service Commission
EFFECTIVE:
February 11, 1995

UNITED TELEPHONE COMPANY
OF MISSOURI

Second Revised Page 170
Cancels First Page 170

ACCESS SERVICE

RECEIVED

6. Switched Access Service (Cont'd)

NOV 2 1993

6.1 General (Cont'd)

MO. PUBLIC SERVICE COMM.

6.1.3 Rate Categories (Cont'd)

(C) Local Switching (Cont'd)

(T)

(D)

(D)

(D) 800 Access Service

The 800 Access Service Data Base Query Charge, as set forth in Section 6.8.4(A) following, will apply for each 800 call query received at the Telephone Company's 800 data base. Per query charges will be accumulated over a monthly period and billed to the customer on a monthly basis.

Included as a part of 800 Access Service are various optional service features, described in Section 6.2.5 following, which the customer may specify to meet its specific requirements. The rates for the 800 Data Base Optional Service Features are set forth in Section 6.8.4(B) following and will apply on a per query basis. When a combination of one or more optional service features is specified, only one such charge shall apply. Per query service option charges will be accumulated over a monthly period and billed to the customer on a monthly basis.

6.1.4 Special Facilities Routing

Any customer may request that the facilities used to provide Switched Access Service be specially routed. The regulations, rates and charges for Special Facilities Routing (i.e., Avoidance, Diversity and Cable-Only) are as set forth in 11. following.

CANCELLED

FEB 11 1995
BY 3rd R.S. #170
Public Service Commission
MISSOURI

FILED

NOV 7 1993
93-181
MO. PUBLIC SERVICE COMM.

ISSUED:
November 3, 1993

BY: John L. Roe
Vice President-Administration
5454 West 110th Street
Overland Park, Kansas 66211

EFFECTIVE:
November 7, 1993

ACCESS SERVICE

- 6. Switched Access Service (Cont'd)
- 6.1 General (Cont'd)

RECEIVED
MAR 31 1993

6.1.3 Rate Categories (Cont'd)

(C) End Office (Cont'd)

M.O. PUBLIC SERVICE COMMISSION

(3) Intercept Rate

The Intercept rate element provides for the termination of a call at a Telephone Company Intercept operator or recording. The operator or recording tells a caller why a call, as dialed, could not be completed, and if possible, provides the correct number.

CANCELLED

Intercept rates are assessed to a customer based on the total number of access minutes.

NOV 7 1993
BY 2nd R.S. # 26
Public Service Commission
MISSOURI

Intercept rates are applied as set forth in 6.8.3(C) following. The application of these rates with respect to individual Feature Groups is as set forth in 6.7.1(D) following.

The number of end office switching transmission paths provided will be determined as set forth in 6.5.5 following.

(D) 800 Access Service

(N)

The 800 Access Service Data Base Query Charge, as set forth in Section 6.8.4(A) following, will apply for each 800 call query received at the Telephone Company's 800 data base. Per query charges will be accumulated over a monthly period and billed to the customer on a monthly basis.

Included as a part of 800 Access Service are various optional service features, described in Section 6.2.5 following, which the customer may specify to meet its specific requirements. The rates for the 800 Data Base Optional Service Features are set forth in Section 6.8.4(B) following and will apply on a per query basis. When a combination of one or more optional service features is specified, only one such charge shall apply. Per query service option charges will be accumulated over a monthly period and billed to the customer on a monthly basis.

(N)

6.1.4 Special Facilities Routing

Any customer may request that the facilities used to provide Switched Access Service be specially routed. The regulations, rates and charges for Special Facilities Routing (i.e., Avoidance, Diversity and Cable-Only) are as set forth in 11. following.

RECEIVED
MAY 1 1993
M.O. PUBLIC SERVICE COMMISSION

ISSUED:
March 31, 1993

BY: John L. Roe
Vice President - Administration
5454 West 110th Street
Overland Park, Kansas 66211

EFFECTIVE:
May 1, 1993

ACCESS SERVICE

RECEIVED

6. Switched Access Service (Cont'd)

SEP 17 1992

6.1 General (Cont'd)

MISSOURI
Public Service Commission

6.1.3 Rate Categories (Cont'd)

(C) End Office (Cont'd)

(3) Intercept

The Intercept rate element provides for the termination of a call at a Telephone Company Intercept operator or recording. The operator or recording tells a caller why a call, as dialed, could not be completed, and if possible, provides the correct number.

CANCELLED
MAY 1 1993
BY Let R-S #176
Public Service Commission
MISSOURI

Intercept rates are assessed to a customer based on the total number of access minutes.

Intercept rates are applied as set forth in 6.8.3(C) following. The application of these rates with respect to individual Feature Groups is as set forth in 6.7.1(D) following.

The number of end office switching transmission paths provided will be determined as set forth in 6.5.5 following.

6.1.4 Special Facilities Routing

Any customer may request that the facilities used to provide Switched Access Service be specially routed. The regulations, rates and charges for Special Facilities Routing (i.e., Avoidance, Diversity and Cable-Only) are as set forth in 11. following.

6.1.5 Design Layout Report

At the request of the customer, the Telephone Company will provide to the customer the makeup of the facilities and services provided from the customer's premises to the first point of switching. This information will be provided in the form of a Design Layout Report.

FILED

NOV 7 1992

MO. PUBLIC SERVICE COMMISSION

EFFECTIVE:

~~OCTOBER 17, 1992~~

NOV 7 1992

ISSUED:
September 17, 1992

BY: John L. Roe
Vice President - Administration
5454 West 110th Street
Overland Park, Kansas 66211

ACCESS SERVICE

6. Switched Access Service (Cont'd)6.1 General (Cont'd)6.1.3 Rate Categories (Cont'd)(E) 900 Access Service Nonrecurring Charges (Cont'd)

The route pattern nonrecurring charge applies only once, on the customer's initial request to the Telephone Company for 900 Access Service in each LATA or state. If the customer places an order using option (2) above, the route pattern nonrecurring charge applies to each end office specified in the order received.

(F) 500 Access Service

The Interim 500 Access Service nonrecurring charge is assessed depending upon how the service is ordered:

- (1) If the service is ordered for the state or LATA, the customer charge for the assembly of route tables is assessed for each end office the Telephone Company serves in the state or LATA. A second nonrecurring charge element applies per NXX activated or deactivated, times the number of Telephone Company access tandems or end offices modified to perform six digit screening for Interim 500 Access Service.
- (2) The second alternative allows for the service to be ordered to only one access tandem or end office performing six digit screening. The customer charge for the assembly of route tables is assessed for each end office subtending the access tandem (including a collocated end office, if applicable). A second nonrecurring charge element applies per NXX activated or deactivated, times the designated Telephone Company access tandem(s) or end office(s) modified to perform six digit screening for Interim 500 Access Service. This option can be applied repetitively to different tandems to customize the intended offering area.

The route pattern nonrecurring charge applies only once, on the customer's initial request to the Telephone Company for Interim 500 Access Service in each LATA or state. If the customer places an order using option (2) above, the route pattern nonrecurring charge applies to each end office specified in the order received.

6.1.4 Special Facilities Routing

Any customer may request that the facilities used to provide Switched Access Service be specially routed. The regulations, rates and charges for Special Facilities Routing (i.e., Avoidance, Diversity and Cable-Only) are as set forth in 11. following.

ISSUED:
March 30, 2007

Mark D. Harper
Director - State Regulatory
5454 W. 110th Street
Overland Park, Kansas 66211

EFFECTIVE:
April 30, 2007

CANCELLED
October 19, 2009
Missouri Public
Service Commission
TN-2010-0086; JI-2010-0159

Filed
Missouri Public
Service Commission

ACCESS SERVICE

RECEIVED

6. Switched Access Service (Cont'd)

JAN 11 1995

6.1 General (Cont'd)

6.1.3 Rate Categories (Cont'd)

(E) 900 Access Service Nonrecurring Charges (Cont'd) **MISSOURI PUBLIC SERVICE COMM.**

The route pattern nonrecurring charge applies only once, on the customer's initial request to the Telephone Company for 900 Access Service in each LATA or state. If the customer places an order using option (2) above, the route pattern nonrecurring charge applies to each end office specified in the order received.

(F) 500 Access Service

The Interim 500 Access Service nonrecurring charge is assessed depending upon how the service is ordered:

- (1) If the service is ordered for the state or LATA, the customer charge for the assembly of route tables is assessed for each end office the Telephone Company serves in the state or LATA. A second nonrecurring charge element applies per NXX activated or deactivated, times the number of Telephone Company access tandems or end offices modified to perform six digit screening for Interim 500 Access Service.
- (2) The second alternative allows for the service to be ordered to only one access tandem or end office performing six digit screening. The customer charge for the assembly of route tables is assessed for each end office subtending the access tandem (including a collocated end office, if applicable). A second nonrecurring charge element applies per NXX activated or deactivated, times the designated Telephone Company access tandem(s) or end office(s) modified to perform six digit screening for Interim 500 Access Service. This option can be applied repetitively to different tandems to customize the intended offering area.

The route pattern nonrecurring charge applies only once, on the customer's initial request to the Telephone Company for Interim 500 Access Service in each LATA or state. If the customer places an order using option (2) above, the route pattern nonrecurring charge applies to each end office specified in the order received.

6.1.4 Special Facilities Routing

Any customer may request that the facilities used to provide Switched Access Service be specially routed. The regulations, rates and charges for Special Facilities Routing (i.e., Avoidance, Diversity and Cable-Only) are as set forth in 11. following.

FEB 11 1995

ISSUED:
January 11, 1995

BY: John L. Roe
Vice President - Carrier and Regulatory Services
5454 West 110th Street
Overland Park, Kansas 66211

MISSOURI PUBLIC SERVICE COMMISSION
EFFECTIVE:
February 11, 1995

(M)
|
(M)

ACCESS SERVICE

6. Switched Access Service (Cont'd)

6.1 General (Cont'd)

6.1.5 Design Layout Report

At the request of the customer, the Telephone Company will provide to the customer the makeup of the facilities and services provided from the customer's premises to the first point of switching. This information will be provided in the form of a Design Layout Report.

The Design Layout Report will be provided to the customer at no charge, and will be reissued or updated whenever these facilities are materially changed.

6.1.6 Acceptance Testing

At no additional charge, the Telephone Company will, at the customer's request, cooperatively test, at the time of installation, the following parameters: loss, C-message noise, C-notched noise, 3-tone slope, d.c. continuity, and operational signaling. When Local Transport is provided with Interface Groups 2, 6 and 9, and the Transport Termination is two-wire (i.e., there is a four-wire to two-wire conversion in Local Transport), balance parameters (equal level echo path loss) may also be tested.

Activation of 500 or 900 NXX codes will be tested by the Telephone Company by placing a test call from each end office where six digit screening is performed. In locations where six digit screening is performed at an access tandem with multiple subtending end offices, a minimum of one subtending end office will be tested by the Telephone Company. No charge will be made for these tests.

6.1.7 Ordering Options and Conditions

Switched Access Service is ordered under the Access Order provisions set forth in 5. preceding. Also, included in that section are other charges which may be associated with ordering Switched Access Service (e.g., Service Date Change Charges, Cancellation Charges, etc.).

6.2 Provision and Description of Switched Access Service Feature Groups

Switched Access Service is provided in four different Feature Group arrangements and as Interim 500, TFC and 900 Access Service. The provision of each Feature Group requires Local Transport facilities and the appropriate End Office functions. In addition, WATS Access Line Service as described in 7.2.11 following may, at the option of the customer, be provided for use with Feature Group C and D.

ISSUED:
March 30, 2007

Mark D. Harper
Director - State Regulatory
5454 W. 110th Street
Overland Park, Kansas 66211

EFFECTIVE:
April 30, 2007

SPRINT MISSOURI, INC.
d/b/a SPRINT

Fourth Revised Page 171
Cancels Third Revised Page 171

ACCESS SERVICE

Missouri Public
Service Commission

6. Switched Access Service (Cont'd)

REC'D MAY 03 2000

6.1 General (Cont'd)

6.1.5 Design Layout Report

At the request of the customer, the Telephone Company will provide to the customer the makeup of the facilities and services provided from the customer's premises to the first point of switching. This information will be provided in the form of a Design Layout Report.

The Design Layout Report will be provided to the customer at no charge, and will be reissued or updated whenever these facilities are materially changed.

6.1.6 Acceptance Testing

At no additional charge, the Telephone Company will, at the customer's request, cooperatively test, at the time of installation, the following parameters: loss, C-message noise, C-notched noise, 3-tone slope, d.c. continuity, and operational signaling. When Local Transport is provided with Interface Groups 2, 6 and 9, and the Transport Termination is two-wire (i.e., there is a four-wire to two-wire conversion in Local Transport), balance parameters (equal level echo path loss) may also be tested. (C)

Missouri Public
Service Commission

FILED JUN 02 2000

Activation of 500 or 900 NXX codes will be tested by the Telephone Company by placing a test call from each end office where six digit screening is performed. In locations where six digit screening is performed at an access tandem with multiple subtending end offices, a minimum of one subtending end office will be tested by the Telephone Company. No charge will be made for these tests.

6.1.7 Ordering Options and Conditions

Switched Access Service is ordered under the Access Order provisions set forth in 5. preceding. Also, included in that section are other charges which may be associated with ordering Switched Access Service (e.g., Service Date Change Charges, Cancellation Charges, etc.).

6.2 Provision and Description of Switched Access Service Feature Groups

Switched Access Service is provided in four different Feature Group arrangements and as Interim 500, TFC and 900 Access Service. The provision of each Feature Group requires Local Transport facilities and the appropriate End Office functions. In addition, WATS Access Line Service as described in 7.2.11 following may, at the option of the customer, be provided for use with Feature Group C and D.

ISSUED:
May 3, 2000

Richard D. Lawson
State Executive, External Affairs

EFFECTIVE:
June 2, 2000

ACCESS SERVICE

RECEIVED

6. Switched Access Service (Cont'd)

MAR 27 1996

6.1 General (Cont'd)

6.1.5 Design Layout Report

MISSOURI
Public Service Commission

At the request of the customer, the Telephone Company will provide to the customer the makeup of the facilities and services provided from the customer's premises to the first point of switching. This information will be provided in the form of a Design Layout Report.

The Design Layout Report will be provided to the customer at no charge, and will be reissued or updated whenever these facilities are materially changed.

6.1.6 Acceptance Testing

At no additional charge, the Telephone Company will, at the customer's request, cooperatively test, at the time of installation, the following parameters: loss, C-message noise, C-notched noise, 3-tone slope, d.c. continuity, and operational signaling. When Local Transport is provided with Interface Groups 2 through 10, and the Transport Termination is two-wire (i.e., there is a four-wire to two-wire conversion in Local Transport), balance parameters (equal level echo path loss) may also be tested.

Activation of 500 or 900 NXX codes will be tested by the Telephone Company by placing a test call from each end office where six digit screening is performed. In locations where six digit screening is performed at an access tandem with multiple subtending end offices, a minimum of one subtending end office will be tested by the Telephone Company. No charge will be made for these tests.

6.1.7 Ordering Options and Conditions

Switched Access Service is ordered under the Access Order provisions set forth in 5. preceding. Also, included in that section are other charges which may be associated with ordering Switched Access Service (e.g., Service Date Change Charges, Cancellation Charges, etc.).

6.2 Provision and Description of Switched Access Service Feature Groups

Switched Access Service is provided in four different Feature Group arrangements and as Interim 500, TFC and 900 Access Service. The provision of each Feature Group requires Local Transport facilities and the appropriate End Office functions. In addition, WATS Access Line Service as described in 7.2.11 following may, at the option of the customer, be provided for use with Feature Group C and D. (T)

CANCELLED

APR 29 1996

JUN 02 2000
By 4th RP 171
Public Service Commission
MISSOURI

MISSOURI PUBLIC SERVICE COMMISSION

ISSUED:
March 27, 1996

BY: John L. Roe
Vice President - Carrier and Regulatory Services
5454 West 110th Street
Overland Park, Kansas 66211

EFFECTIVE:
April 29, 1996

ACCESS SERVICE

RECEIVED

6. Switched Access Service (Cont'd)

JAN 11 1995

6.1 General (Cont'd)

6.1.5 Design Layout Report

MO. PUBLIC SERVICE COMM.

At the request of the customer, the Telephone Company will provide to the customer the makeup of the facilities and services provided from the customer's premises to the first point of switching. This information will be provided in the form of a Design Layout Report.

The Design Layout Report will be provided to the customer at no charge, and will be reissued or updated whenever these facilities are materially changed.

6.1.6 Acceptance Testing

At no additional charge, the Telephone Company will, at the customer's request, cooperatively test, at the time of installation, the following parameters: loss, C-message noise, C-notched noise, 3-tone slope, d.c. continuity, and operational signaling. When Local Transport is provided with Interface Groups 2 through 10, and the Transport Termination is two-wire (i.e., there is a four-wire to two-wire conversion in Local Transport), balance parameters (equal level echo path loss) may also be tested.

Activation of 500 or 900 NXX codes will be tested by the Telephone Company by placing a test call from each end office where six digit screening is performed. In locations where six digit screening is performed at an access tandem with multiple subtending end offices, a minimum of one subtending end office will be tested by the Telephone Company. No charge will be made for these tests.

(W)
|
(N)

6.1.7 Ordering Options and Conditions

Switched Access Service is ordered under the Access Order provisions set forth in 5. preceding. Also, included in that section are other charges which may be associated with ordering Switched Access Service (e.g., Service Date Change Charges, Cancellation Charges, etc.).

6.2 Provision and Description of Switched Access Service Feature Groups

Switched Access Service is provided in four different Feature Group arrangements and as Interim 500, 800 and 900 Access Service. The provision of each Feature Group requires Local Transport facilities and the appropriate End Office functions. In addition, WATS Access Line Service as described in 7.2.11 following may, at the option of the customer, be provided for use with Feature Group C and D.

(C)

CANCELLED

FILED

APR 29 1995

FEB 11 1995

BY 3rd R.S. #171
Public Service Commission
MISSOURI

MISSOURI
Public Service Commission
EFFECTIVE:

ISSUED:
January 11, 1995

BY: John L. Roe
Vice President - Carrier and Regulatory Services
5454 West 110th Street
Overland Park, Kansas 66211

February 11, 1995

ACCESS SERVICE

RECEIVED

MAR 31 1993

6. Switched Access Service (Cont'd)

6.1 General (Cont'd)

6.1.5 Design Layout Report

MO. PUBLIC SERVICE COM. (1)

At the request of the customer, the Telephone Company will provide to the customer the makeup of the facilities and services provided from the customer's premises to the first point of switching. This information will be provided in the form of a Design Layout Report. (M)

The Design Layout Report will be provided to the customer at no charge, and will be reissued or updated whenever these facilities are materially changed.

6.1.6 Acceptance Testing

At no additional charge, the Telephone Company will, at the customer's request, cooperatively test, at the time of installation, the following parameters: loss, C-message noise, C-notched noise, 3-tone slope, d.c. continuity, and operational signaling. When Local Transport is provided with Interface Groups 2 through 10, and the Transport Termination is two-wire (i.e., there is a four-wire to two-wire conversion in Local Transport), balance parameters (equal level echo path loss) may also be tested.

6.1.7 Ordering Options and Conditions

Switched Access Service is ordered under the Access Order provisions set forth in 5. preceding. Also, included in that section are other charges which may be associated with ordering Switched Access Service (e.g., Service Date Change Charges, Cancellation Charges, etc.).

6.2 Provision and Description of Switched Access Service Feature Groups

Switched Access Service is provided in four different Feature Group arrangements. The provision of each Feature Group requires Local Transport facilities and the appropriate End Office functions. In addition, WATS Access Line Service as described in 7.2.11 following may, at the option of the customer, be provided for use with Feature Group C and D.

CANCELLED

RECEIVED

MAY 01 1993

MO. PUBLIC SERVICE COM.

ISSUED:
March 31, 1993

BY: J. R. S. # 171
Public Service Commission
MISSOURI
Vice President - Administration
5454 West 110th Street
Overland Park, Kansas 66211

EFFECTIVE:
May 1, 1993

UNITED TELEPHONE COMPANY
OF MISSOURI

Original Page 171

ACCESS SERVICE

RECEIVED

SEP 17 1992

6. Switched Access Service (Cont'd)

MISSOURI
Public Service Commission

6.1 General (Cont'd)

6.1.5 Design Layout Report (Cont'd)

The Design Layout Report will be provided to the customer at no charge, and will be reissued or updated whenever these facilities are materially changed.

6.1.6 Acceptance Testing

At no additional charge, the Telephone Company will, at the customer's request, cooperatively test, at the time of installation, the following parameters: loss, C-message noise, C-notched noise, 3-tone slope, d.c. continuity, and operational signaling. When Local Transport is provided with Interface Groups 2 through 10, and the Transport Termination is two-wire (i.e., there is a four-wire to two-wire conversion in Local Transport), balance parameters (equal level echo path loss) may also be tested.

6.1.7 Ordering Options and Conditions

Switched Access Service is ordered under the Access Order provisions set forth in 5. preceding. Also, included in that section are other charges which may be associated with ordering Switched Access Service (e.g., Service Charges, Cancellation Charges, etc.).

CANCELLED

MAY 1 1993

BY R.S. #171
Public Service Commission
MISSOURI

6.2 Provision and Description of Switched Access Service Feature Groups

Switched Access Service is provided in four different Feature Group arrangements. The provision of each Feature Group requires Local Transport facilities and the appropriate End Office functions. In addition, WATS Access Line Service as described in 7.2.11 following may, at the option of the customer, be provided for use with Feature Group C and D.

There are three specific transmission specifications (i.e., Types A, B and C) that have been identified for the provision of Feature Groups. The specifications provided are dependent on the Interface Group and the routing of the service, i.e., whether the service is routed directly to the end office or via an access tandem. The parameters for the transmission specifications are set forth in 6.4.1 following.

NOV 7 1992

MO. PUBLIC SERVICE COMMISSION

ISSUED:
September 17, 1992

BY: John L. Roe
Vice President - Administration
5454 West 110th Street
Overland Park, Kansas 66211

EFFECTIVE:

~~SEP 17 1992~~

NOV 7 1992

ACCESS SERVICE

6. Switched Access Service (Cont'd)

6.2 Provision and Description of Switched Access Service Feature Groups (Cont'd)

There are three specific transmission specifications (i.e., Types A, B and C) that have been identified for the provision of Feature Groups. The specifications provided are dependent on the Interface Group and the routing of the service, i.e., whether the service is routed directly to the end office or via an access tandem. The parameters for the transmission specifications are set forth in 6.4.1 following.

Feature Groups are arranged for either originating, terminating or two-way calling, based on the customer end office switching capacity ordered, while Interim 500 Access Service, TFC Access Service and 900 Access Service are arranged for originating calling only. Originating calling permits the delivery of calls from Telephone Exchange Service locations to the customer's premises. Terminating calling permits the delivery of calls from the customer's premises to Telephone Exchange Service locations. Two-way calling permits the delivery of calls in both directions, but not simultaneously. The Telephone Company will determine the type of calling to be provided unless the customer requests that a different type of directional calling is to be provided. In such cases, the Telephone Company will work cooperatively with the customer to determine the directionality.

There are various chargeable and nonchargeable optional features available with the Feature Groups. These additional optional features are provided as Local Transport, and Local Switching options.

Following are detailed descriptions of each of the available Feature Groups. Each Feature Group is described in terms of its specific physical characteristics and calling patterns, the transmission specifications with which it is provided, optional features available for use with it and the standard testing capabilities.

The Local Switching optional features, which are described in 6.3 following, unless specifically stated otherwise, are available at all suitably equipped Telephone Company end office switches.

ISSUED:
March 30, 2007

Mark D. Harper
Director - State Regulatory
5454 W. 110th Street
Overland Park, Kansas 66211

EFFECTIVE:
April 30, 2007

CANCELLED
October 19, 2009
Missouri Public
Service Commission
TN-2010-0086; JI-2010-0159

Filed
Missouri Public
Service Commission

RECEIVED

ACCESS SERVICE

6. Switched Access Service (Cont'd)

MAR 27 1996

6.2 Provision and Description of Switched Access Service Feature Groups (Cont'd)

MISSOURI
Public Service Commission

There are three specific transmission specifications (A, B and C) that have been identified for the provision of Feature Groups. The specifications provided are dependent on the Interface Group and the routing of the service, i.e., whether the service is routed directly to the end office or via an access tandem. The parameters for the transmission specifications are set forth in 6.4.1 following.

Feature Groups are arranged for either originating, terminating or two-way calling, based on the customer end office switching capacity ordered, while Interim 500 Access Service, TFC Access Service and 900 Access Service are arranged for originating calling only. Originating calling permits the delivery of calls from Telephone Exchange Service locations to the customer's premises. Terminating calling permits the delivery of calls from the customer's premises to Telephone Exchange Service locations. Two-way calling permits the delivery of calls in both directions, but not simultaneously. The Telephone Company will determine the type of calling to be provided unless the customer requests that a different type of directional calling is to be provided. In such cases, the Telephone Company will work cooperatively with the customer to determine the directionality.

(T)

There are various chargeable and nonchargeable optional features available with the Feature Groups. These additional optional features are provided as Local Transport, and Local Switching options.

Following are detailed descriptions of each of the available Feature Groups. Each Feature Group is described in terms of its specific physical characteristics and calling patterns, the transmission specifications with which it is provided, optional features available for use with it and the standard testing capabilities.

The Local Switching optional features, which are described in 6.3 following, unless specifically stated otherwise, are available at all suitably equipped Telephone Company end office switches.

FILED

MAR 29 1996

MISSOURI
PUBLIC SERVICE COMMISSION

ISSUED:
March 27, 1996

BY: John L. Roe
Vice President - Carrier and Regulatory Services
5454 West 110th Street
Overland Park, Kansas 66211

EFFECTIVE:
April 29, 1996

RECEIVED

ACCESS SERVICE

6. Switched Access Service (Cont'd)

JAN 11 1995

6.2 Provision and Description of Switched Access Service Feature Groups (Cont'd)

MO. PUBLIC SERVICE COMM.

There are three specific transmission specifications (i.e., Types A, B and C) that have been identified for the provision of Feature Groups. The specifications provided are dependent on the Interface Group and the routing of the service, i.e., whether the service is routed directly to the end office or via an access tandem. The parameters for the transmission specifications are set forth in 6.4.1 following.

Feature Groups are arranged for either originating, terminating or two-way calling, based on the customer end office switching capacity ordered, while Interim 500 Access Service, 800 Access Service and 900 Access Service are arranged for originating calling only. Originating calling permits the delivery of calls from Telephone Exchange Service locations to the customer's premises. Terminating calling permits the delivery of calls from the customer's premises to Telephone Exchange Service locations. Two-way calling permits the delivery of calls in both directions, but not simultaneously. The Telephone Company will determine the type of calling to be provided unless the customer requests that a different type of directional calling is to be provided. In such cases, the Telephone Company will work cooperatively with the customer to determine the directionality.

(C)
(C)
(C)

There are various chargeable and nonchargeable optional features available with the Feature Groups. These additional optional features are provided as Local Transport, and Local Switching options.

Following are detailed descriptions of each of the available Feature Groups. Each Feature Group is described in terms of its specific physical characteristics and calling patterns, the transmission specifications with which it is provided, optional features available for use with it and the standard testing capabilities.

The Local Switching optional features, which are described in 6.3 following, unless specifically stated otherwise, are available at all suitably equipped Telephone Company end office switches.

CANCELLED

APR 29 1994
BY 4th R.S. # 172
Public Service Commission
MISSOURI

FILED

FEB 11 1995

MISSOURI
Public Service Commission
EFFECTIVE:

ISSUED:
January 11, 1995

BY: John L. Roe
Vice President - Carrier and Regulatory Services
5454 West 110th Street
Overland Park, Kansas 66211

February 11, 1995

NOV 2 1993

ACCESS SERVICE

6. Switched Access Service (Cont'd)

MO. PUBLIC SERVICE COMM.

6.2 Provision and Description of Switched Access Service Feature Groups (Cont'd)

There are three specific transmission specifications (i.e., Types A, B and C) that have been identified for the provision of Feature Groups. The specifications provided are dependent on the Interface Group and the routing of the service, i.e., whether the service is routed directly to the end office or via an access tandem. The parameters for the transmission specifications are set forth in 6.4.1 following.

Feature Groups are arranged for either originating, terminating or two-way calling, based on the customer end office switching capacity ordered. Originating calling permits the delivery of calls from Telephone Exchange Service locations to the customer's premises. Terminating calling permits the delivery of calls from the customer's premises to Telephone Exchange Service locations. Two-way calling permits the delivery of calls in both directions, but not simultaneously. The Telephone Company will determine the type of calling to be provided unless the customer requests that a different type of directional calling is to be provided. In such cases, the Telephone Company will work cooperatively with the customer to determine the directionality.

There are various chargeable and nonchargeable optional features available with the Feature Groups. These additional optional features are provided as Local Transport, and Local Switching options. (T)

Following are detailed descriptions of each of the available Feature Groups. Each Feature Group is described in terms of its specific physical characteristics and calling patterns, the transmission specifications with which it is provided, optional features available for use with it and the standard testing capabilities.

The Local Switching optional features, which are described in 6.3 following, unless specifically stated otherwise, are available at all suitably equipped Telephone Company end office switches. (T)

CANCELLED

FILED

FEB 11 1995
BY 3rd R.S. #172
Public Service Commission
MISSOURI

NOV 7 1993
93-181
MO. PUBLIC SERVICE COMM.

ISSUED:
November 3, 1993

BY: John L. Roe
Vice President-Administration
5454 West 110th Street
Overland Park, Kansas 66211

EFFECTIVE:
November 7, 1993

ACCESS SERVICE

RECEIVED

6. Switched Access Service (Cont'd)

MAR 31 1993

6.2 Provision and Description of Switched Access Service Feature Groups (Cont'd)

MO. PUBLIC SERVICE COMMISSION

There are three specific transmission specifications (i.e., Types A, B and C) that have been identified for the provision of Feature Groups. The specifications provided are dependent on the Interface Group and the routing of the service, i.e., whether the service is routed directly to the end office or via an access tandem. The parameters for the transmission specifications are set forth in 6.4.1 following.

(M)
|
(M)

Feature Groups are arranged for either originating, terminating or two-way calling, based on the customer end office switching capacity ordered. Originating calling permits the delivery of calls from Telephone Exchange Service locations to the customer's premises. Terminating calling permits the delivery of calls from the customer's premises to Telephone Exchange Service locations. Two-way calling permits the delivery of calls in both directions, but not simultaneously. The Telephone Company will determine the type of calling to be provided unless the customer requests that a different type of directional calling is to be provided. In such cases, the Telephone Company will work cooperatively with the customer to determine the directionality.

There are various chargeable and nonchargeable optional features available with the Feature Groups. These additional optional features are provided as Local Transport, Common Switching, Transport Termination, or Line Terminations options.

Following are detailed descriptions of each of the available Feature Groups. Each Feature Group is described in terms of its specific physical characteristics and calling patterns, the transmission specifications with which it is provided, optional features available for use with it and the standard testing capabilities.

The Common Switching and Transport Terminations optional features, which are described in 6.3 following, unless specifically stated otherwise, are available at all suitably equipped Telephone Company end office switches.

CANCELLED

NOV 7 1993
BY 2nd R.S. #172
Public Service Commission
MISSOURI

MAY 01 1993

MO. PUBLIC SERVICE COMMISSION

ISSUED:
March 31, 1993

BY: John L. Roe
Vice President - Administration
5454 West 110th Street
Overland Park, Kansas 66211

EFFECTIVE:
May 1, 1993

UNITED TELEPHONE COMPANY
OF MISSOURI

Original Page 172

ACCESS SERVICE

RECEIVED

SEP 17 1992

6. Switched Access Service (Cont'd)

6.2 Provision and Description of Switched Access Service Feature Groups (Cont'd)

MISSOURI
Public Service Commission

Feature Groups are arranged for either originating, terminating or two-way calling, based on the customer end office switching capacity ordered. Originating calling permits the delivery of calls from Telephone Exchange Service locations to the customer's premises. Terminating calling permits the delivery of calls from the customer's premises to Telephone Exchange Service locations. Two-way calling permits the delivery of calls in both directions, but not simultaneously. The Telephone Company will determine the type of calling to be provided unless the customer requests that a different type of directional calling is to be provided. In such cases, the Telephone Company will work cooperatively with the customer to determine the directionality.

There are various chargeable and nonchargeable optional features available with the Feature Groups. These additional optional features are provided as Local Transport, Common Switching, Transport Termination, or Line Terminations options.

Following are detailed descriptions of each of the available Feature Groups. Each Feature Group is described in terms of its specific physical characteristics and calling patterns, the transmission specifications with which it is provided, optional features available for use with it and the standard testing capabilities.

The Common Switching and Transport Terminations optional features, which are described in 6.3 following, unless specifically stated otherwise, are available at all suitably equipped Telephone Company end office switches.

CANCELLED

MAY 1 1993

BY let R.S. #172

Public Service Commission
MISSOURI

FILED

NOV 7 1992

MO. PUBLIC SERVICE COMMISSION

ISSUED:
September 17, 1992

BY: John L. Roe
Vice President - Administration
5454 West 110th Street
Overland Park, Kansas 66211

EFFECTIVE:
~~SEP 17 1992~~
NOV 7 1992

ACCESS SERVICE

6. Switched Access Service (Cont'd)

6.2 Provision and Description of Switched Access Service Feature Groups (Cont'd)

6.2.1 Feature Group A (FGA)

(A) Description

- (1) FGA is provided in connection with Telephone Company electronic end offices. At the option of the customer, FGA is provided on a single or multiple line group basis and is arranged for originating calling only, terminating calling only, or two-way calling. FGA is arranged for use by the customer in the provision of its MTS/WATS-type service.
- (2) FGA provides a line side termination at the first point of switching. The line side termination will be provided with either ground start supervisory signaling or loop start supervisory signaling. The type of signaling is at the option of the customer.
- (3) The Telephone Company shall select the first point of switching, within the selected exchange at which the line side termination is to be provided unless the customer requests a different first point of switching and Telephone Company facilities and measurement capabilities, where necessary, are available to accommodate such a request.
- (4) A seven digit local telephone number assigned by the Telephone Company is provided for access to FGA switching in the originating direction. The seven digit local telephone number will be associated with the selected end office switch and is of the form NXX-XXXX.

ISSUED:
March 30, 2007

Mark D. Harper
Director - State Regulatory
5454 W. 110th Street
Overland Park, Kansas 66211

EFFECTIVE:
April 30, 2007

CANCELLED
October 19, 2009
Missouri Public
Service Commission
TN-2010-0086; JI-2010-0159

Filed
Missouri Public
Service Commission

SPRINT MISSOURI, INC.
d/b/a SPRINT

Second Revised Page 173
Cancels First Revised Page 173
Missouri Public

ACCESS SERVICE

REC'D JAN 07 2002

6. Switched Access Service (Cont'd)

Service Commission

6.2 Provision and Description of Switched Access Service Feature Groups (Cont'd)

6.2.1 Feature Group A (FGA)

(A) Description

- (1) FGA is provided in connection with Telephone Company electronic end offices. At the option of the customer, FGA is provided on a single or multiple line group basis and is arranged for originating calling only, terminating calling only, or two-way calling. FGA is arranged for use by the customer in the provision of *its* **MTS/WATS**-type service.
- (2) FGA provides a line side termination at the first point of switching. The line side termination will be provided with either ground start supervisory signaling or loop start supervisory signaling. The type of signaling is at the option of the customer.
- (3) The Telephone Company shall select the first point of switching, within the selected exchange at which the line side termination is to be provided unless the customer requests a different first point of switching and Telephone Company facilities and measurement capabilities, where necessary, are available to accommodate such a request.
- (4) A seven digit local telephone number assigned by the Telephone Company is provided for access to FGA switching in the originating direction. The seven digit local telephone number will be associated with the selected end office switch and is of the form NXX-XXXX.

(C)
(C)

Missouri Public

FILED FEB 07 2002

Service Commission

ISSUED:
January 7, 2002

Richard D. Lawson
State Executive, External Affairs
319 Madison
Jefferson City, MO 65101

EFFECTIVE:
February 7, 2002

SPRINT MISSOURI, INC.
d/b/a SPRINT

First Revised Page 173
Cancels Original Page 173

**Missouri Public
Service Commission**

ACCESS SERVICE

REC'D MAY 03 2000

6. Switched Access Service (Cont'd)

6.2 Provision and Description of Switched Access Service Feature Groups (Cont'd)

6.2.1 Feature Group A (FGA)

(A) Description

- (1) FGA is provided in connection with Telephone Company electronic end offices. At the option of the customer, FGA is provided on a single or multiple line group basis and is arranged for originating calling only, terminating calling only, or two-way calling. FGA is arranged for use by the customer in the provision of its FX/ONAL service or MTS/WATS-type service. (C)
- (2) FGA provides a line side termination at the first point of switching. The line side termination will be provided with either ground start supervisory signaling or loop start supervisory signaling. The type of signaling is at the option of the customer.
- (3) The Telephone Company shall select the first point of switching, within the selected exchange at which the line side termination is to be provided unless the customer requests a different first point of switching and Telephone Company facilities and measurement capabilities, where necessary, are available to accommodate such a request.
- (4) A seven digit local telephone number assigned by the Telephone Company is provided for access to FGA switching in the originating direction. The seven digit local telephone number will be associated with the selected end office switch and is of the form NXX-XXXX.

CANCELLED

FEB 07 2002
By 2nd RP173
Public Service Commission
MISSOURI

**Missouri Public
Service Commission**

FILED JUN 02 2000

ISSUED:
May 3, 2000

Richard D. Lawson
State Executive, External Affairs

EFFECTIVE:
June 2, 2000

UNITED TELEPHONE COMPANY
OF MISSOURI

Original Page 173

ACCESS SERVICE

RECEIVED

6. Switched Access Service (Cont'd)

SEP 17 1992

6.2 Provision and Description of Switched Access Service Feature
Groups (Cont'd)

MISSOURI
Public Service Commission

6.2.1 Feature Group A (FGA)

(A) Description

- (1) FGA is provided in connection with Telephone Company electronic and electromechanical end offices. At the option of the customer, FGA is provided on a single or multiple line group basis and is arranged for originating calling only, terminating calling only, or two-way calling. FGA is arranged for use by the customer in the provision of its FX/ONAL service or MTS/WATS-type service.
- (2) FGA provides a line side termination at the first point of switching. The line side termination will be provided with either ground start supervisory signaling or loop start supervisory signaling. The type of signaling is at the option of the customer.
- (3) The Telephone Company shall select the first point of switching, within the selected exchange at which the line side termination is to be provided unless the customer requests a different first point of switching and Telephone Company facilities and measurement capabilities, where necessary, are available to accommodate such a request.
- (4) A seven digit local telephone number assigned by the Telephone Company is provided for access to FGA switching in the originating direction. The seven digit local telephone number will be associated with the selected end office switch and is of the form NXX-XXXX.

CANCELLED

JUN 02 2000

By *151 RP 173*
Public Service Commission
MISSOURI

FILED

NOV 7 1992

MO. PUBLIC SERVICE COMMISSION

ISSUED:
September 17, 1992

BY: John L. Roe
Vice President - Administration
5454 West 110th Street
Overland Park, Kansas 66211

EFFECTIVE:
~~SEP 17 1992~~
NOV 7 1992

ACCESS SERVICE

6. Switched Access Service (Cont'd)

6.2 Provision and Description of Switched Access Service Feature Groups (Cont'd)

6.2.1 Feature Group A (FGA) (Cont'd)

(A) Description (Cont'd)

(4) (Cont'd)

If the customer requests a specific seven digit telephone number that is not currently assigned, and the Telephone Company can, with reasonable effort, comply with that request, the requested number will be assigned to the customer.

(5) FGA switching, when used in the terminating direction, is arranged with dial tone start-dial signaling. When used in the terminating direction FGA switching may, at the option of the customer, be arranged for dial pulse or dual tone multifrequency address signaling, subject to availability of equipment at the first point of switching. When FGA switching is provided in a hunt group or uniform call distribution arrangement, all FGA switching will be arranged for the same type of address signaling.

(6) No address signaling is provided by the Telephone Company when FGA Switching is used in the originating direction. Address signaling in such cases, if required by the customer must be provided by the customer's end user using inband tone signaling techniques. Such inband tone address signals will not be regenerated by the Telephone Company and will be subject to the ordinary transmission capabilities of the Local Transport provided.

ISSUED:
March 30, 2007

Mark D. Harper
Director - State Regulatory
5454 W. 110th Street
Overland Park, Kansas 66211

EFFECTIVE:
April 30, 2007

CANCELLED
October 19, 2009
Missouri Public
Service Commission
TN-2010-0086; JI-2010-0159

Filed
Missouri Public
Service Commission

ACCESS SERVICE

6. Switched Access Service (Cont'd)

RECEIVED

6.2 Provision and Description of Switched Access Service Feature Groups (Cont'd)

SEP 17 1992

6.2.1 Feature Group A (FGA) (Cont'd)

MISSOURI
Public Service Commission

(A) Description (Cont'd)

(4) (Cont'd)

If the customer requests a specific seven digit telephone number that is not currently assigned, and the Telephone Company can, with reasonable effort, comply with that request, the requested number will be assigned to the customer.

(5) FGA switching, when used in the terminating direction, is arranged with dial tone start-dial signaling. When used in the terminating direction FGA switching may, at the option of the customer, be arranged for dial pulse or dual tone multifrequency address signaling, subject to availability of equipment at the first point of switching. When FGA switching is provided in a hunt group or uniform call distribution arrangement, all FGA switching will be arranged for the same type of address signaling.

(6) No address signaling is provided by the Telephone Company when FGA Switching is used in the originating direction. Address signaling in such cases, if required by the customer must be provided by the customer's end user using inband tone signaling techniques. Such inband tone address signals will not be regenerated by the Telephone Company and will be subject to the ordinary transmission capabilities of the Local Transport provided.

FILED

NOV 7 1992

MO. PUBLIC SERVICE COM.

ISSUED:
September 17, 1992

BY: John L. Roe
Vice President - Administration
5454 West 110th Street
Overland Park, Kansas 66211

EFFECTIVE:
~~October 17, 1992~~

NOV 7 1992

ACCESS SERVICE

6. Switched Access Service (Cont'd)

6.2 Provision and Description of Switched Access Service Feature Groups (Cont'd)

6.2.1 Feature Group A (FGA) (Cont'd)

(A) Description (Cont'd)

- (7) FGA switching, when used in the terminating direction, may be used to access valid NXXs in the LATA, local operator assistance (0- and 0+), Directory Assistance (411 where available and 555-1212), emergency reporting service (911 where available), exchange telephone repair (611 where available), time or weather announcement services of the Telephone Company, community information services of an information service provider, and other customer services (by dialing the appropriate digits.) Charges for FGA terminating calls requiring operator assistance or calls to 611 or 911 will only apply where sufficient call details are available.

Additional non-access charges will also be billed on a separate account for (1) an operator surcharge, as set forth in the local exchange tariffs, for local operator assistance (0- and 0+) calls; (2) calls to certain community information services, for which rates are applicable under Telephone Company exchange service tariffs, e.g., 976 (DIAL-IT) Network Services and, (3) calls from a FGA line to another customer's service in accordance with that customer's applicable service rates when the Telephone Company performs the billing function for that customer. For calls to Directory Assistance (411 where available and 555-1212), Local Transport rates for FGA Switched

ISSUED:
March 30, 2007

Mark D. Harper
Director - State Regulatory
5454 W. 110th Street
Overland Park, Kansas 66211

EFFECTIVE:
April 30, 2007

CANCELLED
October 19, 2009
Missouri Public
Service Commission
TN-2010-0086; JI-2010-0159

Filed
Missouri Public
Service Commission

UNITED TELEPHONE COMPANY
OF MISSOURI

Original Page 175

ACCESS SERVICE

RECEIVED

6. Switched Access Service (Cont'd)

SEP 17 1992

6.2 Provision and Description of Switched Access Service Feature Groups (Cont'd)

MISSOURI
Public Service Commission

6.2.1 Feature Group A (FGA) (Cont'd)

(A) Description (Cont'd)

(7) FGA switching, when used in the terminating direction, may be used to access valid NXXs in the LATA, local operator assistance (0- and 0+), Directory Assistance (411 where available and 555-1212), emergency reporting service (911 where available), exchange telephone repair (611 where available), time or weather announcement services of the Telephone Company, community information services of an information service provider, and other customer services (by dialing the appropriate digits.) Charges for FGA terminating calls requiring operator assistance or calls to 611 or 911 will only apply where sufficient call details are available.

Additional non-access charges will also be billed on a separate account for (1) an operator surcharge, as set forth in the local exchange tariffs, for local operator assistance (0- and 0+) calls; (2) calls to certain community information services, for which rates are applicable under Telephone Company exchange service tariffs, e.g., 976 (DIAL-IT) Network Services and, (3) calls from a FGA line to another customer's service in accordance with that customer's applicable service rates when the Telephone Company performs the billing function for that customer. For calls to Directory Assistance (411 where available and 555-1212), Local Transport rates for FGA Switched

FILED

NOV 5 1992

NOV 17 1992

EFFECTIVE:

~~October 17, 1992~~

NOV 7 1992

ISSUED:
September 17, 1992

BY: John L. Roe
Vice President - Administration
5454 West 110th Street
Overland Park, Kansas 66211

ACCESS SERVICE

6. Switched Access Service (Cont'd)

6.2 Provision and Description of Switched Access Service Feature Groups (Cont'd)

6.2.1 Feature Group A (FGA) (Cont'd)

(A) Description (Cont'd)

(7) (Cont'd)

Access Service will not apply. Instead, calls to Directory Assistance are subject to the Directory Assistance Service charge set forth in 9.6(A).

- (8) When a FGA switching arrangement for an individual customer (a single line or entire hunt group) is discontinued at an end office, an intercept announcement is provided. This arrangement provides, for a limited period of time, an announcement that the service associated with the number dialed has been disconnected.

(B) Optional Features

(1) Local Switching Optional Features

- (a) Hunt Group Arrangement
- (b) Uniform Call Distribution Arrangement
- (c) Nonhunting Number for Use with Hunt Group Arrangement or Uniform Call Distribution Arrangement
- (d) Call Denial
- (e) Service Code Denial
- (f) Band Advance Arrangement for use with WATS Access Line Service.

ISSUED:
March 30, 2007

Mark D. Harper
Director - State Regulatory
5454 W. 110th Street
Overland Park, Kansas 66211

EFFECTIVE:
April 30, 2007

CANCELLED
October 19, 2009
Missouri Public
Service Commission
TN-2010-0086; JI-2010-0159

Filed
Missouri Public
Service Commission

ACCESS SERVICE

FILED

6. Switched Access Service (Cont'd)

6.2 Provision and Description of Switched Access Service Feature Groups (Cont'd)

NOV 7 1993

6.2.1 Feature Group A (FGA) (Cont'd)

(A) Description (Cont'd)

(7) (Cont'd)

Access Service will not apply. Instead, calls to Directory Assistance are subject to the Directory Assistance Service charge set forth in 9.6(A).

- (8) When a FGA switching arrangement for an individual customer (a single line or entire hunt group) is discontinued at an end office, an intercept announcement is provided. This arrangement provides, for a limited period of time, an announcement that the service associated with the number dialed has been disconnected.

(B) Optional Features

(1) Local Switching Optional Features

- (a) Hunt Group Arrangement
- (b) Uniform Call Distribution Arrangement
- (c) Nonhunting Number for Use with Hunt Group Arrangement or Uniform Call Distribution Arrangement
- (d) Call Denial
- (e) Service Code Denial
- (f) Band Advance Arrangement for use with WATS Access Line Service.

FILED

NOV 7 1993
93 - 181
MO. PUBLIC SERVICE COMM.

ISSUED:
November 3, 1993

BY: John L. Roe
Vice President - Administration
5454 West 110th Street
Overland Park, Kansas 66211

EFFECTIVE:
November 7, 1993

ACCESS SERVICE

6. Switched Access Service (Cont'd)

RECEIVED

6.2 Provision and Description of Switched Access Service Feature Groups (Cont'd)

SEP 17 1992

6.2.1 Feature Group A (FGA) (Cont'd)

MISSOURI
Public Service Commission

(A) Description (Cont'd)

(7) (Cont'd)

Access Service will not apply. Instead, calls to Directory Assistance are subject to the Directory Assistance Service charge set forth in 9.6(A).

(8) When a FGA switching arrangement for an individual customer (a single line or entire hunt group) is discontinued at an end office, an intercept announcement is provided. This arrangement provides, for a limited period of time, an announcement that the service associated with the number dialed has been disconnected.

(B) Optional Features

(1) Common Switching Optional Features

- (a) Hunt Group Arrangement
- (b) Uniform Call Distribution Arrangement
- (c) Nonhunting Number for Use with Hunt Group Arrangement or Uniform Call Distribution Arrangement
- (d) Call Denial
- (e) Service Code Denial
- (f) Band Advance Arrangement for use with WATS Access Line Service.

CANCELLED

NOV 7 1993
BY let R.S. #176
Public Service Commission
MISSOURI

FILED

NOV 7 1992

MO. PUBLIC SERVICE COMMISSION

ISSUED:
September 17, 1992

BY: John L. Roe
Vice President - Administration
5454 West 110th Street
Overland Park, Kansas 66211

EFFECTIVE:
~~October 3, 1992~~
NOV 7 1992

ACCESS SERVICE

6. Switched Access Service (Cont'd)

6.2 Provision and Description of Switched Access Service Feature Groups (Cont'd)

6.2.1 Feature Group A (FGA) (Cont'd)

(B) Optional Features (Cont'd)

(1) Local Switching Optional Features (Cont'd)

- (g) Two-way operation with dial pulse address signaling and loop start supervisory signaling.
- (h) Two-way operation with dial pulse address signaling and ground start supervisory signaling.
- (i) Two-way operation with dual tone multi-frequency address signaling and loop start supervisory signaling
- (j) Two-way operation with dual tone multi-frequency address signaling and ground start supervisory signaling
- (k) Terminating operation with dial pulse address signaling and loop start supervisory signaling
- (l) Terminating operation with dial pulse address signaling and ground start supervisory signaling
- (m) Terminating operation with dual tone multifrequency address signaling and loop start supervisory signaling
- (n) Terminating operation with dual tone multi-frequency address signaling and ground start supervisory signaling
- (o) Originating operation with loop start supervisory signaling
- (p) Originating operation with ground start supervisory signaling
- (q) Call Screening
- (r) Call Restriction

(2) Local Transport Optional Features

- (a) Supervisory Signaling (as set forth in 6.1.3(B)(3)(a) preceding)
- (b) Improved Return Loss

- (3) Certain other features which may be available in connection with Feature Group A are provided under the Telephone Company's local and/or general exchange service tariffs. These are:

ISSUED:
March 30, 2007

Mark D. Harper
Director - State Regulatory
5454 W. 110th Street
Overland Park, Kansas 66211

EFFECTIVE:
April 30, 2007

SPRINT MISSOURI, INC.
d/b/a SPRINT

Second Revised Page 177
Cancels First Revised Page 177
**Missouri Public
Service Commission**

ACCESS SERVICE

REC'D NOV 29 2000

6. Switched Access Service (Cont'd)

6.2 Provision and Description of Switched Access Service Feature Groups (Cont'd)

6.2.1 Feature Group A (FGA) (Cont'd)

(B) Optional Features (Cont'd)

(1) Local Switching Optional Features (Cont'd)

- (g) Two-way operation with dial pulse address signaling and loop start supervisory signaling.
- (h) Two-way operation with dial pulse address signaling and ground start supervisory signaling.
- (i) Two-way operation with dual tone multi-frequency address signaling and loop start supervisory signaling
- (j) Two-way operation with dual tone multi-frequency address signaling and ground start supervisory signaling
- (k) Terminating operation with dial pulse address signaling and loop start supervisory signaling
- (l) Terminating operation with dial pulse address signaling and ground start super-visor-y signaling
- (m) Terminating operation with dual tone multifrequency address signaling and loop start supervisory signaling
- (n) Terminating operation with dual tone multi-frequency address signaling and ground start supervisory signaling
- (o) Originating operation with loop start super-visor-y signaling
- (p) Originating operation with ground start supervisory signaling
- (q) Call Screening** (N)
- (r) Call Restriction** (N)

(2) Local Transport Optional Features

- (a) Supervisory Signaling (as set forth in 6.1.3(B)(3)(a) preceding)
- (b) Improved Return Loss

(3) Certain other features which may be available in connection with Feature Group A are provided under the Telephone Company's local and/or general exchange service tariffs. These are:

ISSUED:
November 29, 2000

Richard D. Lawson
State Executive, External Affairs
319 Madison
Jefferson City, MO 65101

EFFECTIVE:
December 29, 2000
**Missouri Public
Service Commission**

FILED DEC 29 2000

ACCESS SERVICE

RECEIVED

6. Switched Access Service (Cont'd)

NOV 2 1993

6.2 Provision and Description of Switched Access Service Feature Groups (Cont'd)

MO. PUBLIC SERVICE COMM.

6.2.1 Feature Group A (FGA) (Cont'd)

(B) Optional Features (Cont'd)

(1) Local Switching Optional Features (Cont'd)

- (g) Two-way operation with dial pulse address signaling and loop start supervisory signaling. (T)
- (h) Two-way operation with dial pulse address signaling and ground start supervisory signaling. (T)
- (i) Two-way operation with dual tone multifrequency address signaling and loop start supervisory signaling. (T)
- (j) Two-way operation with dual tone multifrequency address signaling and ground start supervisory signaling. (T)
- (k) Terminating operation with dial pulse address signaling and loop start supervisory signaling. (T)
- (l) Terminating operation with dial pulse address signaling and ground start supervisory signaling. (T)
- (m) Terminating operation with dual tone multifrequency address signaling and loop start supervisory signaling. (T)
- (n) Terminating operation with dual tone multifrequency address signaling and ground start supervisory signaling. (T)
- (o) Originating operation with loop start supervisory signaling. (T)
- (p) Originating operation with ground start supervisory signaling. (T)

(2) Local Transport Optional Features

- (a) Supervisory Signaling (as set forth in 6.1.3(B)(3)(a) preceding)
- (b) Improved Return Loss

- (3) Certain other features which may be available in connection with Feature Group A are provided under the Telephone Company's local and/or general exchange service tariffs. These are: (T)

CANCELLED

DEC 29 2000
by 2nd RP 177
Public Service Commission
MISSOURI

FILED

NOV 7 1993
93-181
MO. PUBLIC SERVICE COMM.

ISSUED:
November 3, 1993

BY: John L. Roe
Vice President - Administration
5454 West 110th Street
Overland Park, Kansas 66211

EFFECTIVE:
November 7, 1993

ACCESS SERVICE

6. Switched Access Service (Cont'd)

6.2 Provision and Description of Switched Access Service Feature Groups (Cont'd)

6.2.1 Feature Group A (FGA) (Cont'd)

(B) Optional Features (Cont'd)

(2) Transport Termination Optional Features

- (a) Two-way operation with dial pulse address signaling and loop start supervisory signaling.
- (b) Two-way operation with dial pulse address signaling and ground start supervisory signaling.
- (c) Two-way operation with dual tone multifrequency address signaling and loop start supervisory signaling
- (d) Two-way operation with dual tone multifrequency address signaling and ground start supervisory signaling
- (e) Terminating operation with dial pulse address signaling and loop start supervisory signaling
- (f) Terminating operation with dial pulse address signaling and ground start supervisory signaling
- (g) Terminating operation with dual tone multifrequency address signaling and loop start supervisory signaling
- (h) Terminating operation with dual tone multifrequency address signaling and ground start supervisory signaling
- (i) Originating operation with loop start supervisory signaling
- (j) Originating operation with ground start supervisory signaling

(3) Local Transport Optional Features

- (a) Supervisory Signaling (as set forth in 6.1.3(B)(3)(a) preceding)
- (b) Improved Return Loss

(4) Certain other features which may be available in connection with Feature Group A are provided under the Telephone Company's local and/or general exchange service tariffs. These are:

RECEIVED

SEP 17 1992

**MISSOURI
Public Service Commission**

CANCELLED

NOV 7 1993
BY 1st R.S. #177
Public Service Commission
MISSOURI

NOV 7 1992

ISSUED:
September 17, 1992

BY: John L. Roe
Vice President - Administration
5454 West 110th Street
Overland Park, Kansas 66211

MO. PUBLIC SERVICE COMMISSION
~~Effective 10/1/1992~~
NOV 7 1992

ACCESS SERVICE

6. Switched Access Service (Cont'd)

6.2 Provision and Description of Switched Access Service Feature Groups (Cont'd)

6.2.1 Feature Group A (FGA) (Cont'd)

(B) Optional Features (Cont'd)

(3) (Cont'd)

- (a) Custom Calling Features
- (b) Bill Number Screening
- (c) IntraLATA extensions

(C) Transmission Performance

FGA is provided with either Type B or Type C Transmission Specifications. The specifications for the associated parameters are guaranteed to the first point of switching. Type C Transmission Specifications are provided with Interface Group 1 and Type B is provided with Interface Groups 2, 6 and 9. Type DB Data Transmission Parameters are provided with FGA to the first point of switching.

(D) Testing Capabilities

FGA is provided, in the terminating direction where equipment is available, with seven digit access to balance (100 type) test line and milliwatt (102 type) test line. In addition to the tests described in 6.1.6 preceding, which are included with the installation of service, additional Cooperative Acceptance Testing and Non-Scheduled Testing tests are available for FGA as set forth in 13.3.5 following.

ISSUED:
March 30, 2007

Mark D. Harper
Director - State Regulatory
5454 W. 110th Street
Overland Park, Kansas 66211

EFFECTIVE:
April 30, 2007

CANCELLED
October 19, 2009
Missouri Public
Service Commission
TN-2010-0086; JI-2010-0159

Filed
Missouri Public
Service Commission

SPRINT MISSOURI, INC.
d/b/a SPRINT

Second Revised Page 178
Cancels First Revised Page 178

Missouri Public
Service Commission

ACCESS SERVICE

REC'D MAY 03 2000

6. Switched Access Service (Cont'd)

6.2 Provision and Description of Switched Access Service Feature Groups (Cont'd)

6.2.1 Feature Group A (FGA) (Cont'd)

(B) Optional Features (Cont'd)

(3) (Cont'd)

- (a) Custom Calling Features
- (b) Bill Number Screening
- (c) IntraLATA extensions

(C) Transmission Performance

FGA is provided with either Type B or Type C Transmission Specifications. The specifications for the associated parameters are guaranteed to the first point of switching. Type C Transmission Specifications are provided with Interface Group 1 and Type B is provided with Interface Groups 2, 6 and 9. Type DB Data Transmission Parameters are provided with FGA to the first point of switching. (C)

(D) Testing Capabilities

FGA is provided, in the terminating direction where equipment is available, with seven digit access to balance (100 type) test line and milliwatt (102 type) test line. In addition to the tests described in 6.1.6 preceding, which are included with the installation of service, additional Cooperative Acceptance Testing and Non-Scheduled Testing tests are available for FGA as set forth in 13.3.5 following.

Missouri Public
Service Commission

FILED JUN 02 2000

ISSUED:
May 3, 2000

Richard D. Lawson
State Executive, External Affairs

EFFECTIVE:
June 2, 2000

ACCESS SERVICE

RECEIVED

6. Switched Access Service (Cont'd)

NOV 2 1993

6.2 Provision and Description of Switched Access Service Feature Groups (Cont'd)

MO. PUBLIC SERVICE COMM.

6.2.1 Feature Group A (FGA) (Cont'd)

(B) Optional Features (Cont'd)

(3) (Cont'd)

(1)

- (a) Custom Calling Features
- (b) Bill Number Screening
- (c) IntraLATA extensions

(C) Transmission Performance

FGA is provided with either Type B or Type C Transmission Specifications. The specifications for the associated parameters are guaranteed to the first point of switching. Type C Transmission Specifications are provided with Interface Group 1 and Type B is provided with Interface Groups 2 through 10. Type DB Data Transmission Parameters are provided with FGA to the first point of switching.

(D) Testing Capabilities

FGA is provided, in the terminating direction where equipment is available, with seven digit access to balance (100 type) test line and milliwatt (102 type) test line. In addition to the tests described in 6.1.6 preceding, which are included with the installation of service, additional Cooperative Acceptance Testing and Non-Scheduled Testing tests are available for FGA as set forth in 13.3.5 following.

CANCELLED

JUN 02 2000
By *2nd RP 178*
Public Service Commission
MISSOURI

FILED

NOV 7 1993
93 - 181
MO. PUBLIC SERVICE COMM.

ISSUED:
November 3, 1993

BY: John L. Roe
Vice President - Administration
5454 West 110th Street
Overland Park, Kansas 66211

EFFECTIVE:
November 7, 1993

UNITED TELEPHONE COMPANY
OF MISSOURI

Original Page 178

ACCESS SERVICE

6. Switched Access Service (Cont'd)

RECEIVED

6.2 Provision and Description of Switched Access Service Feature Groups (Cont'd)

SEP 17 1992

6.2.1 Feature Group A (FGA) (Cont'd)

MISSOURI
Public Service Commission

(B) Optional Features (Cont'd)

(4) (Cont'd)

- (a) Custom Calling Features
- (b) Bill Number Screening
- (c) IntraLATA extensions

(C) Transmission Performance

FGA is provided with either Type B or Type C Transmission Specifications. The specifications for the associated parameters are guaranteed to the first point of switching. Type C Transmission Specifications are provided with Interface Group 1 and Type B is provided with Interface Groups 2 through 10. Type DB Data Transmission Parameters are provided with FGA to the first point of switching.

(D) Testing Capabilities

FGA is provided, in the terminating direction where equipment is available, with seven digit access to balance (100 type) test line and milliwatt (102 type) test line. In addition to the tests described in 6.1.6 preceding, which are included with the installation of service, additional Cooperative Acceptance Testing and Non-Scheduled Testing tests are available for FGA as set forth in 13.3.5 following.

CANCELLED

NOV 7 13:3
BY 1st R.S. # 178
Public Service Commission
MISSOURI

FILED

NOV 7 1992

ISSUED:
September 17, 1992

BY: John L. Roe
Vice President - Administration
5454 West 110th Street
Overland Park, Kansas 66211

MO. PUBLIC SERVICE COM. ~~178-1992~~

NOV 7 1992

ACCESS SERVICE

6. Switched Access Service (Cont'd)

6.2 Provision and Description of Switched Access Service Feature Groups (Cont'd)

6.2.2 Feature Group B (FGB)

(A) Description

- (1) FGB, when directly routed to an end office (i.e., provided without the use of an access tandem switch), is provided at appropriately equipped Telephone Company electronic end office switches. When provided via Telephone Company designated electronic access tandem switches, FGB switching is provided at Telephone Company electronic end office switches.
- (2) FGB is provided as trunk side switching through the use of end office or access tandem switch trunk equipment. The switch trunk equipment is provided with wink start start-pulsing signals and answer and disconnect supervisory signaling.
- (3) FGB switching is provided with multifrequency address signaling in both the originating and terminating directions. Except for FGB switching provided with the automatic number identification (ANI) or rotary dial station signaling arrangements as set forth in 6.3 following, any other address signaling in the originating direction, if required by the customer, must be provided by the customer's end user using inband tone signaling techniques. Such inband tone address signals will not be regenerated by the Telephone Company and will be subject to the ordinary transmission capabilities of the Local Transport provided.
- (4) The access code for FGB switching is a uniform access code. The form of the uniform access code is 950-0XXX or 950-1XXX for carriers.

ISSUED:
March 30, 2007

Mark D. Harper
Director - State Regulatory
5454 W. 110th Street
Overland Park, Kansas 66211

EFFECTIVE:
April 30, 2007

CANCELLED
October 19, 2009
Missouri Public
Service Commission
TN-2010-0086; JI-2010-0159

Filed
Missouri Public
Service Commission

SPRINT MISSOURI, INC.
d/b/a SPRINT

First Revised Page 179
Cancels Original Page 179
**Missouri Public
Service Commission**

ACCESS SERVICE

REC'D MAY 03 2000

6. Switched Access Service (Cont'd)

6.2 Provision and Description of Switched Access Service Feature Groups (Cont'd)

6.2.2 Feature Group B (FGB)

(A) Description

(1) FGB, when directly routed to an end office (i.e., provided without the use of an access tandem switch), is provided at appropriately equipped Telephone Company electronic end office switches. When provided via Telephone Company designated electronic access tandem switches, FGB switching is provided at Telephone Company electronic end office switches. (C)

(2) FGB is provided as trunk side switching through the use of end office or access tandem switch trunk equipment. The switch trunk equipment is provided with wink start start-pulsing signals and answer and disconnect supervisory signaling.

(3) FGB switching is provided with multifrequency address signaling in both the originating and terminating directions. Except for FGB switching provided with the automatic number identification (ANI) or rotary dial station signaling arrangements as set forth in 6.3 following, any other address signaling in the originating direction, if required by the customer, must be provided by the customer's end user using inband tone signaling techniques. Such inband tone address signals will not be regenerated by the Telephone Company and will be subject to the ordinary transmission capabilities of the Local Transport provided.

(4) The access code for FGB switching is a uniform access code. The form of the uniform access code is 950-0XXX or 950-1XXX for carriers.

**Missouri Public
Service Commission**

FILED JUN 02 2000

ISSUED:
May 3, 2000

Richard D. Lawson
State Executive, External Affairs

EFFECTIVE:
June 2, 2000

UNITED TELEPHONE COMPANY
OF MISSOURI

Original Page 179

ACCESS SERVICE

RECEIVED

6. Switched Access Service (Cont'd)

SEP 17 1992

6.2 Provision and Description of Switched Access Service Feature
Groups (Cont'd)

MISSOURI
Public Service Commission

6.2.2 Feature Group B (FGB)

(A) Description

- (1) FGB, when directly routed to an end office (i.e., provided without the use of an access tandem switch), is provided at appropriately equipped Telephone Company electronic end office switches. When provided via Telephone Company designated electronic access tandem switches, FGB switching is provided at Telephone Company electronic and electromechanical end office switches.
- (2) FGB is provided as trunk side switching through the use of end office or access tandem switch trunk equipment. The switch trunk equipment is provided with wink start start-pulsing signals and answer and disconnect supervisory signaling.
- (3) FGB switching is provided with multifrequency address signaling in both the originating and terminating directions. Except for FGB switching provided with the automatic number identification (ANI) or rotary dial station signaling arrangements as set forth in 6.3 following, any other address signaling in the originating direction, if required by the customer, must be provided by the customer's end user using inband tone signaling techniques. Such inband tone address signals will not be regenerated by the Telephone Company and will be subject to the ordinary transmission capabilities of the Local Transport provided.
- (4) The access code for FGB switching is a uniform access code. The form of the uniform access code is 950-0XXX or 950-1XXX for carriers.

CANCELLED

JUN 02 2000

By *1st RP 179*
Public Service Commission
MISSOURI

FILED

NOV 7 1992

ISSUED:
September 17, 1992

BY: John L. Roe
Vice President - Administration
5454 West 110th Street
Overland Park, Kansas 66211

MO. PUBLIC SERVICE COMMISSION
EFFECTIVE:
~~September 17, 1992~~
NOV 7 1992

ACCESS SERVICE

6. Switched Access Service (Cont'd)

6.2 Provision and Description of Switched Access Service Feature Groups (Cont'd)

6.2.2 Feature Group B (FGB) (Cont'd)

(A) Description (Cont'd)

(4) (Cont'd)

These uniform access codes will be the assigned access numbers of all FGB Switched Access Service provided to the customer by the Telephone Company. FGB Switched Access may also be used to originate TFC Access Service until such time as FGD becomes available in the end office. FGB may also be used for completion of calls to WATS Access Line Service. The customer's end user is not required to dial an access code for originating TFC Access Service provided with Feature Group B Switched Access Service.

(5) FGB switching, when used in the terminating direction may be used to access valid NXXs in the toll free calling area of the terminating exchange, time or weather announcement services of the Telephone Company, community information services of an information service provider and other customers' services (by dialing the appropriate digits). When directly routed to an end office, only those valid NXX codes served by that end office may be accessed. When routed through an access tandem, only those valid NXX codes served by end offices subtending the access tandem may be accessed. The customer will be billed additional non-access charges for calls to certain community information services for which rates are applicable under Telephone Company exchange service tariffs, e.g., 976 (DIAL-IT) Network Services.

ISSUED:
March 30, 2007

Mark D. Harper
Director - State Regulatory
5454 W. 110th Street
Overland Park, Kansas 66211

EFFECTIVE:
April 30, 2007

CANCELLED
October 19, 2009
Missouri Public
Service Commission
TN-2010-0086; JI-2010-0159

Filed
Missouri Public
Service Commission

ACCESS SERVICE

RECEIVED

6. Switched Access Service (Cont'd)

6.2 Provision and Description of Switched Access Service Feature Groups (Cont'd)

MAR 27 1996

6.2.2 Feature Group B (FGB) (Cont'd)

MISSOURI
Public Service Commission

(A) Description (Cont'd)

(4) (Cont'd)

These uniform access codes will be the assigned access numbers of all FGB Switched Access Service provided to the customer by the Telephone Company. FGB Switched Access may also be used to originate TFC Access Service until such time as FGD becomes available in the end office. FGB may also be used for completion of calls to WATS Access Line Service. The customer's end user is not required to dial an access code for originating TFC Access Service provided with Feature Group B Switched Access Service.

(T)

(T)

(5) FGB switching, when used in the terminating direction may be used to access valid NXXs in the toll free calling area of the terminating exchange, time or weather announcement services of the Telephone Company, community information services of an information service provider and other customers' services (by dialing the appropriate digits). When directly routed to an end office, only those valid NXX codes served by that end office may be accessed. When routed through an access tandem, only those valid NXX codes served by end offices subtending the access tandem may be accessed. The customer will be billed additional non-access charges for calls to certain community information services for which rates are applicable under Telephone Company exchange service tariffs, e.g., 976 (DIAL-IT) Network Services.

FILED

MAR 29 1996

MISSOURI PUBLIC SERVICE COMMISSION

ISSUED:
March 27, 1996

BY: John L. Roe
Vice President - Carrier and Regulatory Services
5454 West 110th Street
Overland Park, Kansas 66211

EFFECTIVE:
April 29, 1996

UNITED TELEPHONE COMPANY
OF MISSOURI

Original Page 180

RECEIVED

SEP 17 1992

ACCESS SERVICE

MISSOURI
Public Service Commission

6. Switched Access Service (Cont'd)

6.2 Provision and Description of Switched Access Service Feature Groups (Cont'd)

6.2.2 Feature Group B (FGB) (Cont'd)

(A) Description (Cont'd)

(4) (Cont'd)

These uniform access codes will be the assigned access numbers of all FGB Switched Access Service provided to the customer by the Telephone Company. FGB Switched Access may also be used to originate 800 Access Service until such time as FGD becomes available in the end office. FGB may also be used for completion of calls to WATS Access Line Service. The customer's end user is not required to dial an access code for originating 800 Access Service provided with Feature Group B Switched Access Service.

(5) FGB switching, when used in the terminating direction may be used to access valid NXXs in the toll free calling area of the terminating exchange, time or weather announcement services of the Telephone Company, community information services of an information service provider and other customers' services (by dialing the appropriate digits). When directly routed to an end office, only those valid NXX codes served by that end office may be accessed. When routed through an access tandem, only those valid NXX codes served by end offices subtending the access tandem may be accessed. The customer will be billed additional non-access charges for calls to certain community information services for which rates are applicable under Telephone Company exchange service tariffs, e.g., 976 (DIAL-IT) Network Services.

CANCELLED

APR 29 1995
BY John R. S. #180
Public Service Commission
MISSOURI

FILED

NOV 7 1992

MO. PUBLIC SERVICE COMMISSION
EFFECTIVE:

~~October 1, 1992~~
NOV 7 1992

ISSUED:
September 17, 1992

BY: John L. Roe
Vice President - Administration
5454 West 110th Street
Overland Park, Kansas 66211