

EXHIBIT NO. 101

GRANT OF EQUIPMENT
AUTHORIZATION
Certification
Issued Under the Authority of the
Federal Communications Commission
By:

Advanced Compliance Solutions,
Inc.
5015 B.U. Bowman Drive
Buford, GA 30518

Date of
Grant: 10/21/2015

Application
Dated: 10/21/2015

Landis+Gyr Technology, Inc.
30000 Mill Creek Avenue, Suite 100
Alpharetta, GA 30022

Attention: Richard Timko , Quality Engineer

NOT TRANSFERABLE

EQUIPMENT AUTHORIZATION is hereby issued to the named GRANTEE, and is VALID ONLY for the equipment identified hereon for use under the Commission's Rules and Regulations listed below.

FCC IDENTIFIER: R7PEG1R1S6
Name of Grantee: Landis+Gyr Technology, Inc.
Equipment Class: Part 15 Spread Spectrum Transmitter
Notes: G5 Integrated Focus AXe
Modular Type: Single Modular

Grant Notes	FCC Rule Parts	Frequency Range (MHZ)	Output Watts	Frequency Tolerance	Emission Designator
	15C	902.2 - 927.8	0.68		

Modular Approval. Power listed is conducted. This is an OEM module is restricted for use with the specific antenna(s) tested for in this filing. The antenna(s) used for this transmitter must be installed to provide a separation distance of at least 20 cm from all persons and must not be co-located or operating in conjunction with any other antenna or transmitter except in accordance with FCC multi-transmitter product procedures. Grantee must provide installation and operating instructions for complying with FCC multi-transmitter product procedures. Separate approval is required for all other operating configurations, including different antenna configurations. This grant is valid only when the device is sold to OEM integrators and the OEM integrators are instructed to ensure that the end user has no manual instructions to remove or install the device.

EXHIBIT NO. 102

FOCUS AX

E330 FOCUS AX • E350 FOCUS AX-SD Single Phase • E330 FOCUS AX Polyphase

The FOCUS family of meters featuring advanced residential metering and light commercial applications.

The FOCUS® AX platform features a single circuit board design, mounted at the front of the meter, allows room for modular advanced metering communications or a KYZ option output board. Fewer parts and connectors throughout the board design increase reliability and contribute to better overall end point performance. Highly accurate load performance and the use of a field-proven Digital Multiplication Measurement Technique ensure reliability and dependability during the entire life of the FOCUS AX meter.

The Next Generation of Advanced Residential Metering

The FOCUS AX-SD is an advanced meter platform with features that rival any meter in its class. With available service disconnect integrated into the meter base, utilities can take advantage of the 200 Amp relay to disconnect power or limit service remotely using an advanced metering technology or manually at the meter. The combinations of FOCUS Service Disconnect base module and powerful AX register provides a flexible system that supports a variety of connect/disconnect and service-limiting applications.

Economical and Reliable Option for Light Commercial Applications

The FOCUS AX Polyphase meter provides a cost-efficient alternative for light commercial metering applications that do not require all of the functionality of the S4e meter. The FOCUS AX Polyphase meter contains a 120V to 277V auto-ranging power supply suitable for both 277/480V, 4W, WYE and 240/480V 4-wire Delta Services. As an addition to the FOCUS family of meters, the AX Polyphase brings the same proven solid-state performance utilities have come to expect from FOCUS meters, in an economical and AMI-ready platform for commercial and industrial applications.



Key Benefits

- Digital Multiplication Measurement Technique
- Non-volatile memory
- Designed for a 20+ year life
- Meets or exceeds industry and ANSI standards
- Uses ANSI protocol (between meter and communication device)
- 6 digit LCD and 3 Alpha ID
- Selectable meter multiplier up to 240 (1200:5 CT)

Landis
Gyr+
manage energy better

Specifications

General Specifications	Active Energy “kWh-kW” meter	
	Digital Multiplication Measurement Technique	
	Non-Volatile Memory	
	Designed for 20+ years life	
	Meets ANSI standards for performance	
	Utilizes ANSI protocol (between meter and AMI device)	
	9 digit LCD	
	Display scroll sequence programmable (factory or end user)	
	Configuration port – cover does not have to be removed or optional ANSI C12.18 optical port available	
Operating Temperature	-40C to +85C under cover	
Operating Voltage	80% to 115% of Vn	
Frequency	60Hz +/- 5%	
Humidity	5% to 95% relative humidity, non condensing	
Voltage Burden	≤ 1.9W Max	
Load Performance Accuracy	Accuracy Class 0.5% – typical accuracy 0.2%	
	Exception: Form 36S 0.5%	
Display Options	Energy Metrics: +kWh, -kWh, Net kWh, and added kWh (Security)	
	Metric Energy Display Format – 4x1, 4x10, 5x1, 5x10, 6x1 or 6x10	
	Time of Use and Demand Billing	
AMI Platform	Modular or Integrated	
Selectable Meter Multiplier	Up to 4096 as result of PT ratio • CT ratio	
Applicable Standards	ANSI C12.1 for electric meters	
	ANSI C12.10 for physical aspects of watt hour meters	
	ANSI C12.18 Protocol specifications for ANSI Type 2 Optical Port	
	ANSI C12.19 Utility Industry End Device Data Tables	
	ANSI C12.20 for electricity meters, 0.2 and 0.5 accuracy classes	
	CAN3-C17-M84 Canadian specifications for approval of type of electricity meters	
Service Disconnect	10,000 operations at full rated current (disconnect/connect)	
Landis+Gyr Communication	FOCUS AX Single Phase	2 Way Gridstream RF
		2 Way Gridstream PLC
	FOCUS AX-SD	2 Way Gridstream RF
		2 Way Gridstream PLC
	FOCUS AX Polyphase	2 Way Gridstream RF
	Third Party Communication	FOCUS AX Single Phase
Aclara TWACS Technology - PLC		
Sensus 2 Way RF Flex Net		
Silver Spring 2 Way RF Mesh		
Trilliant 2 Way SecureMesh		
FOCUS AX-SD		Aclara STAR Network – RF
		Aclara TWACS Technology – PLC
		Sensus Flex Net
		Silver Spring Network 2 Way RF Mesh
		Trilliant 2 Way SecureMesh
FOCUS AX Polyphase		Aclara STAR Network – RF
		Aclara TWACS Technology – PLC
		Metrum CDMA/1xRTT and GSM/GPRS under glass
		Sensus Flex Net
		Silver Spring 2 Way RF Mesh
	Trilliant 2 Way SecureMesh	

The FOCUS AX Single-phase meter is available in the following forms:

Form	Nominal Voltage	Current Class	Test Amps	Starting Load	Kh
1S	120V	CL 100	15.0	0.030 Amp (3.6W)	1.8
1S	240V	CL 200	30.0	0.050 Amp (12W)	7.2
2S	240V	CL 200	30.0 / 50.0	0.050 Amp (12W)	7.2
2SE	240V	CL 320	30.0 / 50.0	0.080 Amp (19.2W)	12.0
2K	240V	CL 480	30.0 / 50.0	0.120 Amp (28.8W)	14.4
3S	120V	CL 10 or 20	2.5	0.005 Amp (0.6W)	0.3
3S	240V	CL 10 or 20	2.5	0.005 Amp (0.6W)	0.6
4S	240V	CL 10 or 20	2.5	0.005 Amp (0.6W)	0.6

The FOCUS AX Service Disconnect meter is available in the following forms:

Form	Nominal Voltage	Current Class	Test Amps	Starting Load	Kh
1S	120V	CL 100	15.0	0.030 Amp (3.6W)	1.8
2S	240V	CL 200	30.0/50.0	0.050 Amp (12W)	7.2
12S	120V	CL 200	30.0/50.0	0.050 Amp (12W)	14.4
25S	120V	CL 200	30.0 / 50.0	0.050 Amp (12W)	14.4

The FOCUS AX Polyphase meter is available in the following forms:

Form	Nominal Voltage	Current Class	Test Amps	Starting Load	Kh
9S/8S	120V – 277V	CL 20	2.5	0.005 Amp (0.6W)	1.8
12S	120V – 277V	CL 200	30.0/50.0	0.050 Amp (12W)	14.4
12SE	120V – 277V	CL 320	50.0	0.080 Amp (19.2W)	14.4
16S	120V – 277V	CL 200	30.0/50.0	0.050 Amp (12W)	21.6
16SE	120V – 277V	CL 320	50.0	0.080 Amp (19.2W)	21.6
25S	120V – 277V	CL 200	30.0/50.0	0.050 Amp (12W)	14.4
25SE	120V – 277V	CL 320	50.0	0.080 Amp (19.2W)	14.4
36S (6S)	120V – 277V	CL 20	2.5	0.005 Amp (0.6W)	1.8
45S (5S)	120V – 277V	CL 20	2.5	0.005 Amp (0.6W)	1.2

FOCUS Single Phase/Polyphase:

	Net	Single Pack	Single Pack	Four Pack	Four Pack	Pallet	Pallet
Form	Lbs.	Weight	Dimensions	Weight	Dimensions	Weight	Dimensions
1S	1.8	2.7 lbs.	8 3/4" x 8 3/4" x 9"	9.5 lbs.	15 1/2" x 7" x 15 1/2"	350 lbs.	31" x 46" x 37"
2S(E)	1.9	2.8 lbs.	8 3/4" x 8 3/4" x 9"	9.6 lbs.	15 1/2" x 7" x 15 1/2"	350 lbs.	31" x 46" x 37"
2K	3.35	5.5 lbs.	12 9/16" x 12 9/16" x 9"	N/A	15 1/2" x 7" x 15 1/2"	195 lbs.*	31" x 46" x 37"
3S	1.8	2.7 lbs.	8 3/4" x 8 3/4" x 9"	9.5 lbs.	15 1/2" x 7" x 15 1/2"	350 lbs.	31" x 46" x 37"
4S	1.9	2.8 lbs.	8 3/4" x 8 3/4" x 9"	9.6 lbs.	15 1/2" x 7" x 15 1/2"	350 lbs.	31" x 46" x 37"
5S/45S	1.8	2.7 lbs.	8 3/4" x 8 3/4" x 9"	9.5 lbs.	15 1/2" x 7" x 15 1/2"	350 lbs.	31" x 46" x 37"
6S/36S	1.8	2.7 lbs.	8 3/4" x 8 3/4" x 9"	9.5 lbs.	15 1/2" x 7" x 15 1/2"	350 lbs.	31" x 46" x 37"
8S/9S	1.8	2.7 lbs.	8 3/4" x 8 3/4" x 9"	9.5 lbs.	15 1/2" x 7" x 15 1/2"	350 lbs.	31" x 46" x 37"
12S(E)	2.0	2.9 lbs.	8 3/4" x 8 3/4" x 9"	10.3 lbs.	15 1/2" x 7" x 15 1/2"	350 lbs.	31" x 46" x 37"
16S(E)	1.9	2.8 lbs.	8 3/4" x 8 3/4" x 9"	9.6 lbs.	15 1/2" x 7" x 15 1/2"	350 lbs.	31" x 46" x 37"
25S(E)	2.0	2.9 lbs.	8 3/4" x 8 3/4" x 9"	10.3 lbs.	15 1/2" x 7" x 15 1/2"	350 lbs.*	31" x 46" x 37"

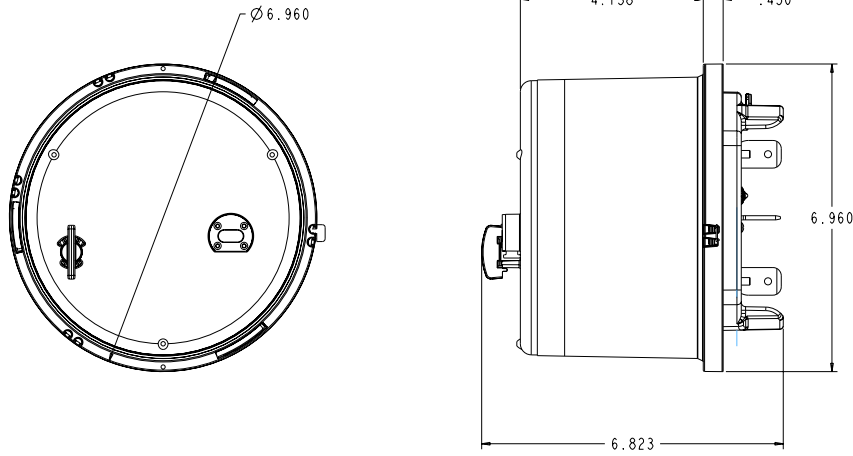
Standard pallet size of 96 meters

* Denotes alternate pallet size of 30 meters

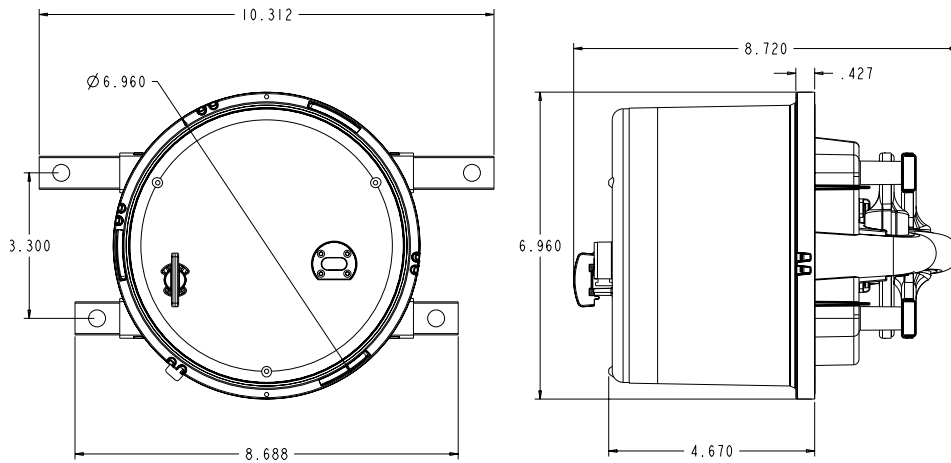
FOCUS AX-SD:

	Net	Single Pack	Single Pack	Four Pack	Four Pack	Pallet	Pallet
Form	Lbs.	Weight	Dimensions	Weight	Dimensions	Weight	Dimensions
1S	2.04	2.94 lbs.	8 3/4" x 8 3/4" x 9"	10.31 lbs.	15 1/2" x 7" x 15 1/2"	370 lbs.	31" x 46" x 37"
2S	2.04	2.94 lbs.	8 3/4" x 8 3/4" x 9"	10.31 lbs.	15 1/2" x 7" x 15 1/2"	370 lbs.	31" x 46" x 37"
12S	2.04	2.94 lbs.	8 3/4" x 8 3/4" x 9"	10.31 lbs.	15 1/2" x 7" x 15 1/2"	370 lbs.	31" x 46" x 37"
25S	2.04	2.94 lbs.	8 3/4" x 8 3/4" x 9"	10.31 lbs.	15 1/2" x 7" x 15 1/2"	370 lbs.	31" x 46" x 37"

FOCUS AX S-Base



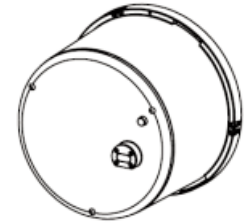
FOCUS AX K-Base



Cover Options



Optical Port Only



Optical Port/Reconnect Only



Optical Port/Reset (No Options)



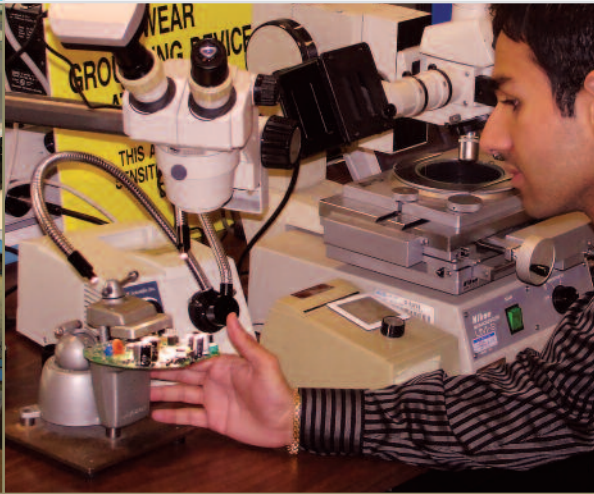
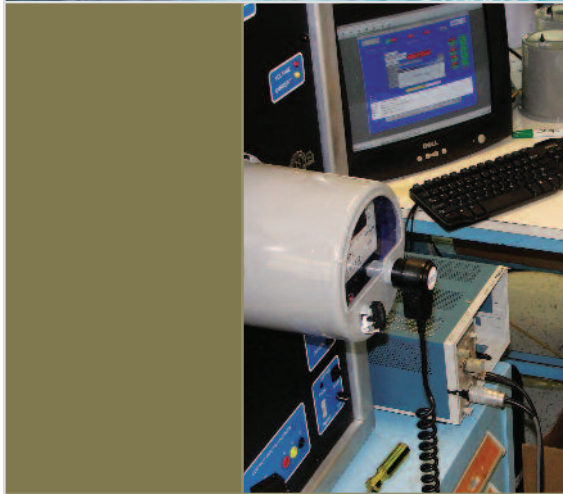
Optical Port/Reset/Reconnect Switch



Configuration Port Only



Configuration Port/Reconnect Only



With focus on customer satisfaction, we are committed to providing the best metering solution in terms of capability, technology and affordability. By utilizing our experience and technology with that of our strategic allies and development partners, we provide metering solutions that cover the range of utilities' residential and light commercial metering needs.



2800 Duncan Road
Lafayette, IN 47904 U.S.A
Phone: **765.742.1001**
Tech Support: **800.777.2774**
FAX: **765.429.0936**
www.landisgyr.com

EXHIBIT NO. 103



POCZ.E364197 - Meters, Electric Utility

Meters, Electric Utility

See General Information for Meters, Electric Utility

LANDIS+GYR INC

2800 Duncan Rd
Lafayette, IN 47904-5012 USA

E364197

Detachable electric utility meters, "FOCUS" Series, Models AX# or AL#.

"FOCUS" Series, Model AXe@.

"E650 S4x" Series, Model XA, XC, XE, or XG, followed by 00, 01, 02, 03, 07, 0A, 0B, 0C, 0K, 10, 11, 12, 13, 1A, 1B, 1C, 1K, 2N, 3P, 3Q, 47, 6A, 6C, 6N, 70, 74, 9A, 9C, 9N, A0, A6, A9, B0, C0, C6, C9, K0, or P3, followed by 0, followed by H, K, or L, followed by two alphanumeric characters denoting acceptable AMI configurations(*), followed by 0, 1, or 2, followed by 1 or 2, followed by 00, followed by up to four additional suffixes, followed by U.

May be followed by "-SD"; may be followed by "Modular", "EPS", or "Integrated"; may be followed by "Polyphase" or "Polyphase Wide Range".

@ May be followed by "-SD"; may be followed by "Integrated".

Last Updated on 2017-11-08

The appearance of a company's name or product in this database does not in itself assure that products so identified have been manufactured under UL's Follow-Up Service. Only those products bearing the UL Mark should be considered to be Certified and covered under UL's Follow-Up Service. Always look for the Mark on the product.

UL permits the reproduction of the material contained in the Online Certification Directory subject to the following conditions: 1. The Guide Information, Assemblies, Constructions, Designs, Systems, and/or Certifications (files) must be presented in their entirety and in a non-misleading manner, without any manipulation of the data (or drawings). 2. The statement "Reprinted from the Online Certifications Directory with permission from UL" must appear adjacent to the extracted material. In addition, the reprinted material must include a copyright notice in the following format: "© 2020 UL LLC"