

# STRUCTURE INFORMATION

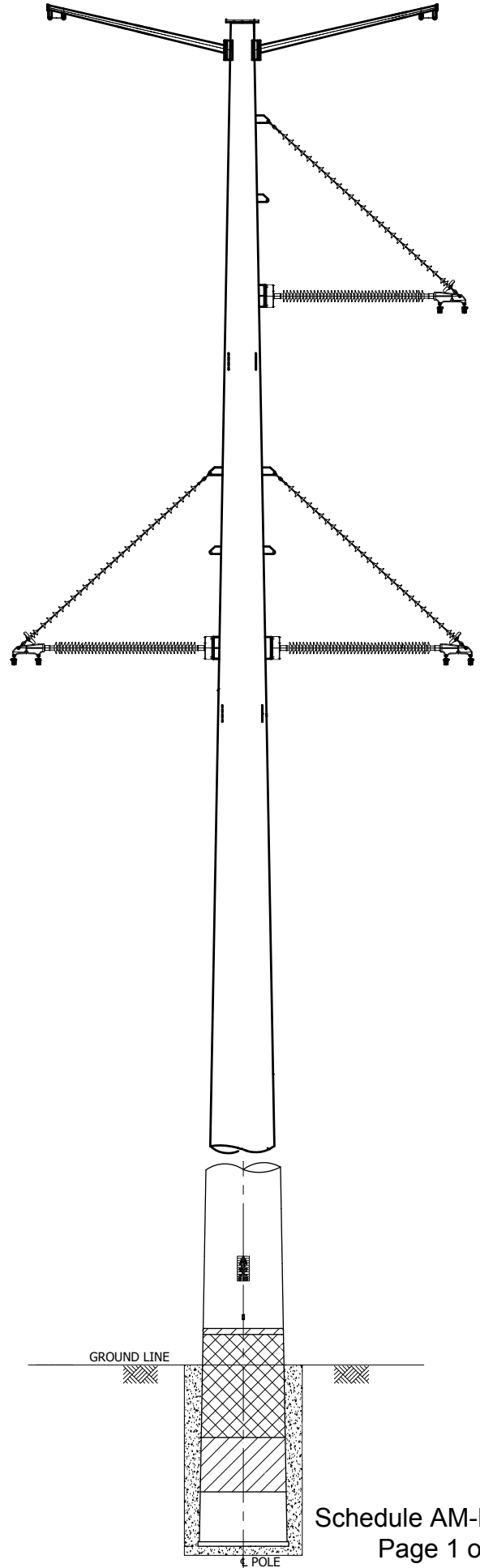
Typical 345kV Single Circuit Steel Monopole Tangent Structure

Structure Height Range: 90 - 130 ft

Span: 750 - 950 ft

Conductor Clearance: 25 ft minimum

Foundation: Direct Embed



## STRUCTURE INFORMATION

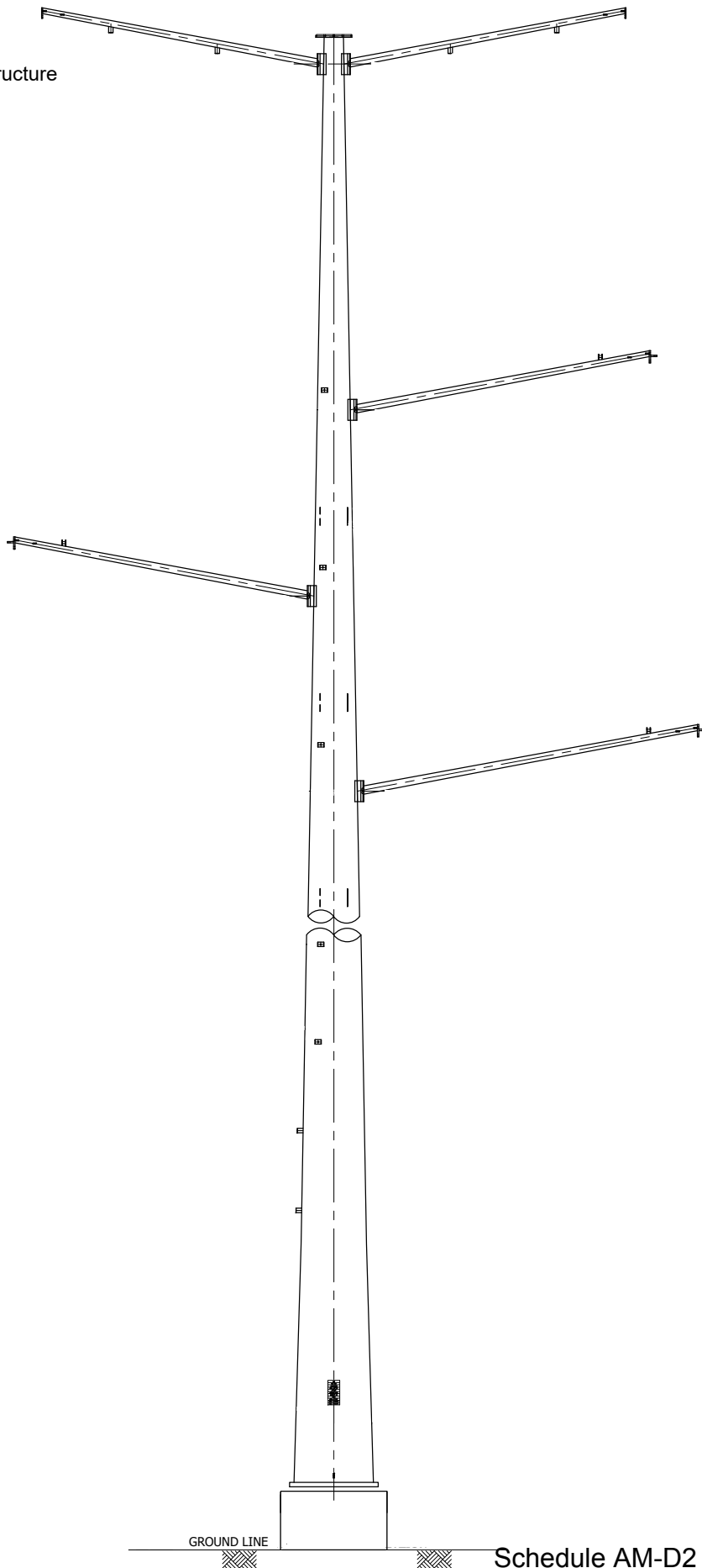
Typical 345kV Single Circuit Steel Monopole Dead-End Structure

Structure Height Range: 90 - 130 ft

Span: 750 - 950 ft

Conductor Clearance: 25 ft minimum

Foundation: Concrete Drilled Pier



GROUND LINE

# STRUCTURE INFORMATION

Typical 345kV Double Circuit Steel Monopole Structure

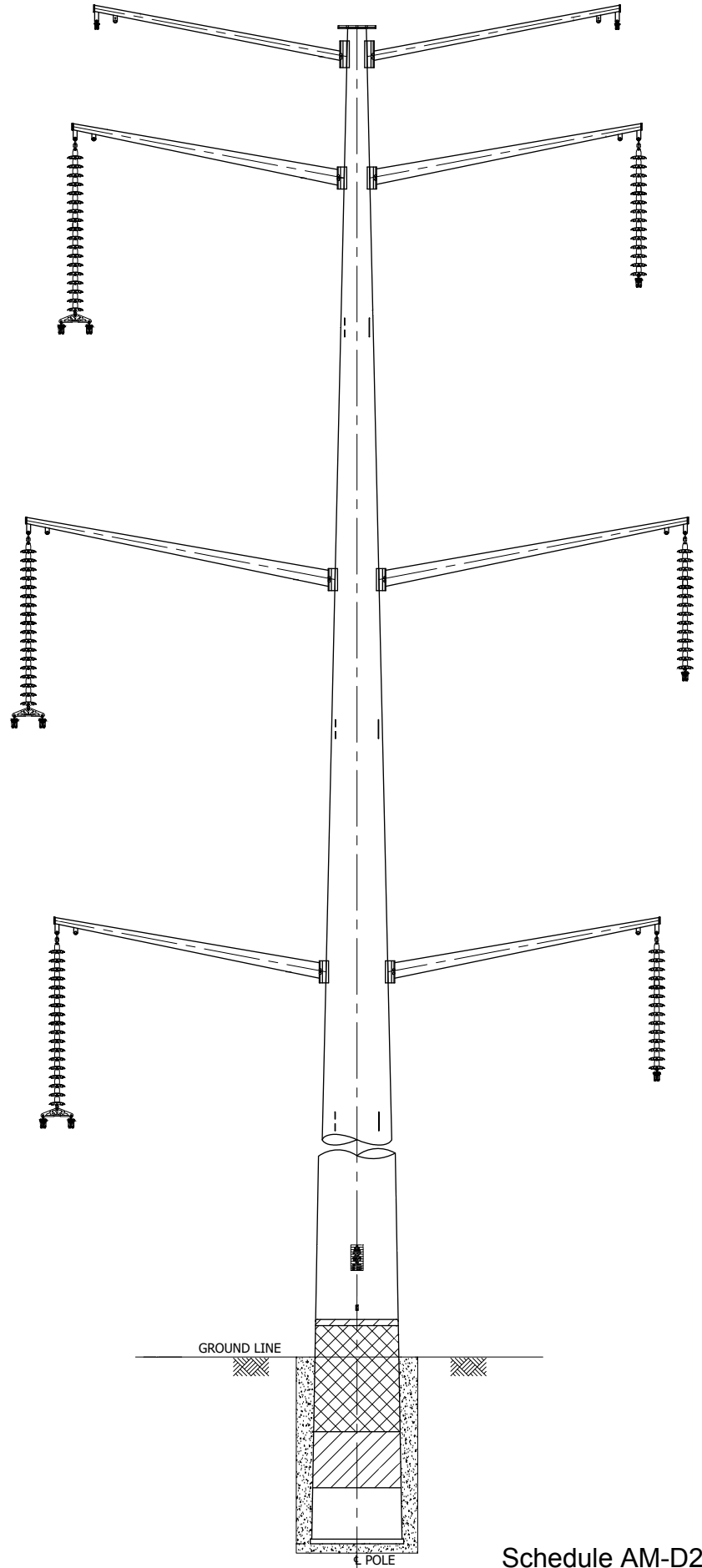
Structure Height Range: 100 - 150 ft

Span: 800 - 1000 ft

Conductor Clearance: 25 ft minimum

Foundation: Direct Embed

Easement Width: 150 ft



# STRUCTURE INFORMATION

Typical 345kV Double Circuit Steel 2-Pole Structure

Structure Height Range: 100 - 140 ft

Span: 800 - 1000 ft

Conductor Clearance: 25 ft minimum

Foundation: Concrete Drilled Pier

